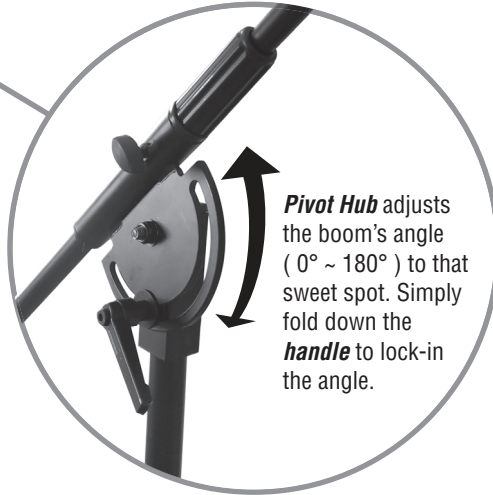




# MB-W PROFESSIONAL STUDIO OVERHEAD MICROPHONE BOOM STAND WITH WHEELS

**Adjustable Slide and Lock Counterweight**  
( 2.5 lbs )

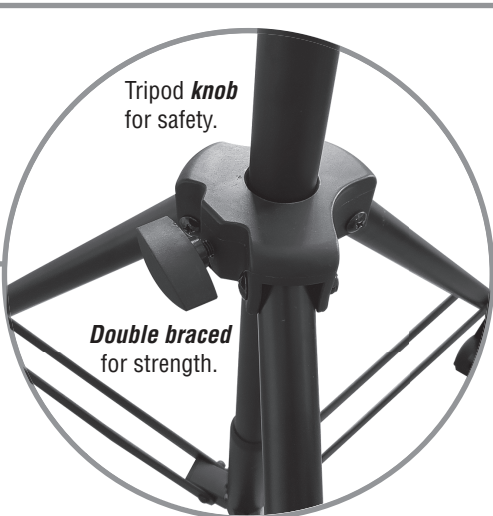


**Pivot Hub** adjusts the boom's angle ( 0° ~ 180° ) to that sweet spot. Simply fold down the **handle** to lock-in the angle.



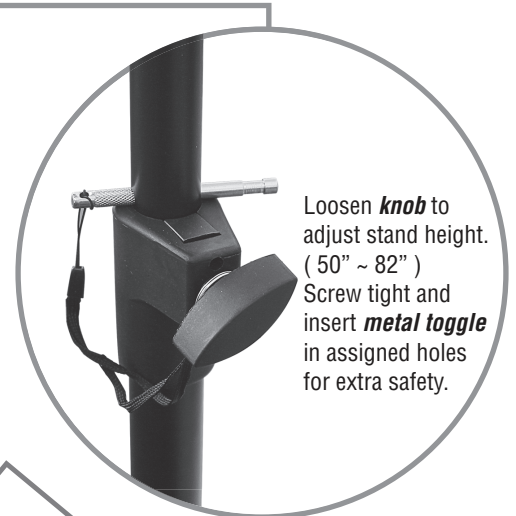
**5/8" male adapter tip.** Perfect fit for standard microphone clips or spider shock mounts!

\*Mic clip not included

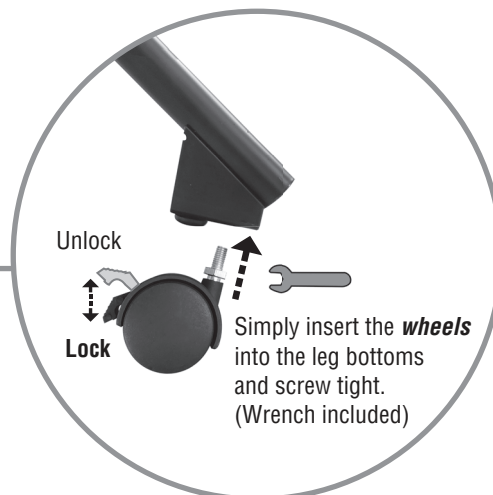


Tripod **knob** for safety.

**Double braced** for strength.



Loosen **knob** to adjust stand height. ( 50" ~ 82" )  
Screw tight and insert **metal toggle** in assigned holes for extra safety.



Unlock

Lock

Simply insert the **wheels** into the leg bottoms and screw tight. (Wrench included)

