

PACKAGE INCLUDES

LAPTOP STAND (FOLDED)

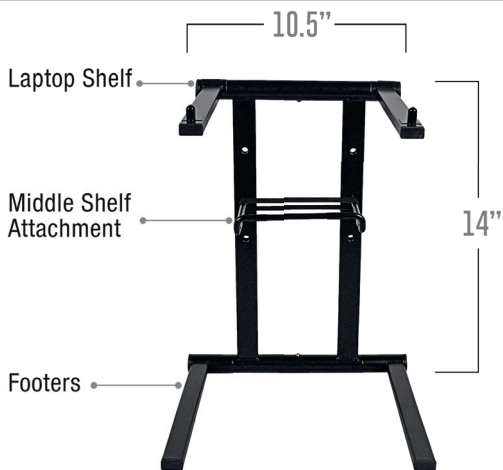


MIDDLE SHELF ATTACHMENT



CARRYING BAG

SPECIFICATIONS



PORTABLE FOLDING LAPTOP STAND



DJLTS-01

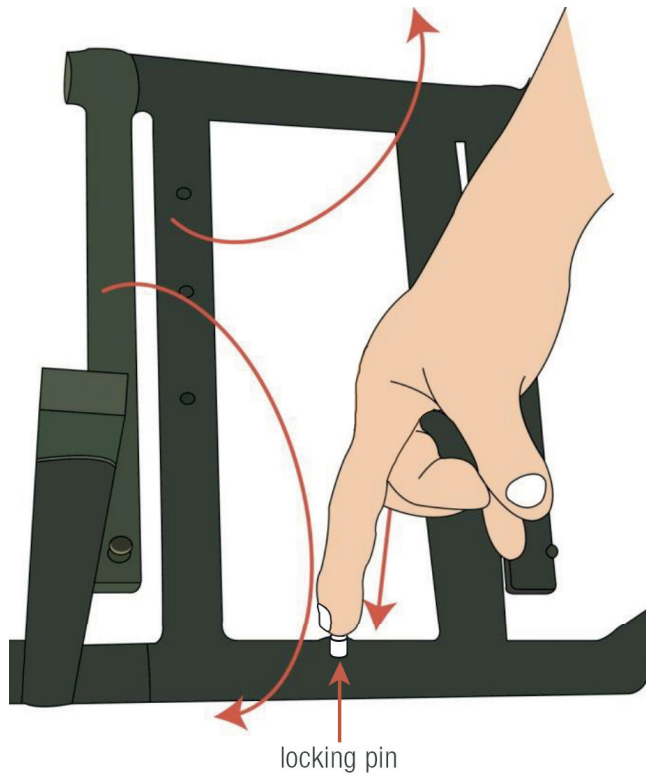
ASSEMBLY INSTRUCTIONS

Step 1

- Take the DJLTS-01 and push the locking pins in.
- This unlocks the hinge which allows the upper and lower parts of the laptop stand.
- Open out to 90°.

*shown on Figure 1

Figure 1

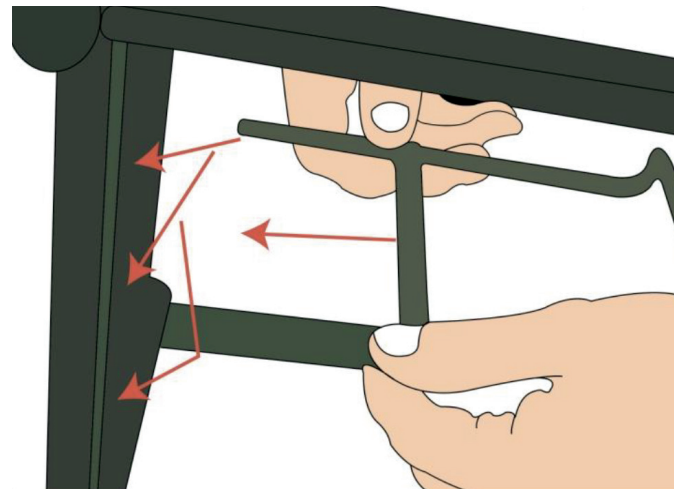


Step 2

- Set up the middle shelf and insert it just below the laptop shelf.
- There are 4 pairs of holes to choose from depending on your space preference or size of equipment.
- After the middle shelf is inserted, use the locking pins to secure it in place.
- Locking pins can either be inserted and locked in through the front or the back areas.

*shown on Figure 2

Figure 2



Step 3

- Test the stand for stability before putting any equipment on it.
- Make sure locking pins are secured and locked in place.
- Test it for sturdiness by giving it a quick firm shake to make sure nothing is loose.
- Always set the equipment on a flat level surface.



California Prop 65 Warning This product contains chemicals, including lead, known to the State of California to cause cancer and birth defects or other reproductive harm. Wash hands after handling.

Laptop not included

VISIT ACCESSABLES.COM FOR QUESTIONS