



**VC-SERIES  
SUBWOOFERS  
V3**

VCW82V3

VCW84V3

**USER MANUAL**



## THANK YOU FOR CHOOSING NVX

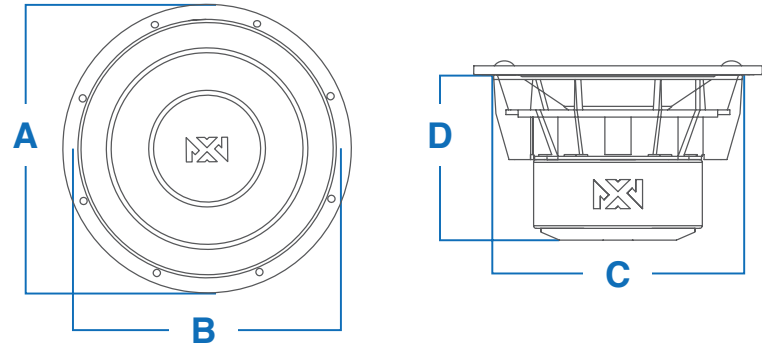
Congratulations on the purchase of your new NVX subwoofer. The VC-Series subwoofer you hold in your hands is the culmination of an extensive research, development and real world testing process. While this isn't the easiest way to build a sub, the time and personal attention we dedicate reflects in the quality and performance of the finished product. We are proud to build NVX subwoofers and are confident you will be proud to own one.

# SPECIFICATIONS

VC-SERIES <b>V3</b>	VCW82V3	VCW94V3
Power Range (RMS)	650 Watt RMS	650 Watt RMS
Impedance per Voice Coil	2 Ohm	4 Ohm
Frequency Response	20-200 Hz	47.60 Hz
Fs	41.00 Hz	33.60 Hz
QES	0.570	0.650
QMS	3.70	2.790
QTS	0.480	0.530
Vas	5.12 L	4.28 L
Xmax	14 mm	14 mm
SPL (1W/M)	83 dB	83 dB
Sd	31.17 in. <sup>2</sup>	31.17 in. <sup>2</sup>
Re	3.2 Ω	6.4 Ω
Displacement	0.06 cu. ft.	0.06 cu. ft.
Net Weight	17.6 (8.0 kg)	17.6 (8.0 kg)

<b>A Overall Diameter</b>	8.58 (218 mm)
<b>B Mounting Diameter</b>	7.91 (201 mm)
<b>C Cutout Diameter</b>	7.4 (188 mm)
<b>D Mounting Depth</b>	5.31 (135 mm)

Results vary based on enclosure type and volume. **See page 3.**





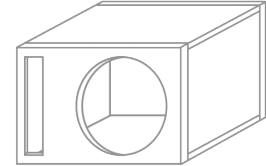
## ENCLOSURES

The enclosure designs listed will give you the best possible performance from your VC-Series subwoofer.

### PORTED BOX

Ported boxes are the enclosure type we recommend for optimum performance of your VC-Series Subwoofer.

A ported box features a vent or port to couple the woofer's back-wave with the front-wave. This results in markedly improved efficiency and low frequency response. These enclosures are somewhat larger than the sealed alternative.



VC-SERIES V3	VCW82/84
Recommended Enclosure Volume	1.00 cu. ft.
Tuning Frequency	40 Hz
F3 (Hz)	37 Hz

# WARRANTY

NVX warrants to the original retail purchaser that this product is to be free from defective materials and workmanship for a period of one (1) year from the date of purchase, if it is properly used and maintained. If this product proves defective in either material or workmanship, NVX, at its discretion, will (a) repair the product, or (b) replace the product, at no charge for parts or labor. If the product model is no longer available and cannot be repaired effectively or replaced with an identical model, NVX at its sole option may replace the unit with a current model of equal or greater value. To obtain a repair or replacement under the terms of this warranty, please return to dealer first, if possible, and the dealer will direct you accordingly for repairs or replacement. You will be required to submit a copy of the original receipt. Return shipping for exchanges/repairs is the sole responsibility of the original retail purchaser.

## LIMITATIONS:

- This limited warranty does not cover failure of the product resulting improper installation, misuse, abuse, accident, neglect, mishandling, or wear from ordinary use or environmental deterioration.
- This limited warranty does not cover cosmetic damage, including paint damage, or consequential damage to ordinary use or environmental deterioration.
- This limited warranty does not cover cosmetic damage, including paint damage, or consequential damage to other components or premises which may result for any reason from the failure of the product.
- This limited warranty is null and void for products not used in accordance with NVX's instructions.
- This limited warranty is null and void for products with altered or missing serial numbers and for products not purchased from an authorized dealer.
- This limited warranty terminates if you sell or otherwise transfer this product to another party.
- This limited warranty is null and void for any speaker or subwoofer that has been damaged due to over-powering causing burnt voice coils and /or mechanical failures such as ripped spiders or surrounds.

**THIS WARRANTY GIVES YOU SPECIFIC LEGAL RIGHTS, AND YOU MAY ALSO HAVE OTHER RIGHTS WHICH VARY FROM STATE TO STATE, JURISDICTION TO JURISDICTION, OR COUNTRY TO COUNTRY. NVX'S RESPONSIBILITY FOR MALFUNCTIONS AND DEFECTS IN HARDWARE IS LIMITED TO REPLACEMENT OR REPAIR AS SET FORTH IN THIS WARRANTY STATEMENT. ALL EXPRESS AND IMPLIED WARRANTIES FOR THE PRODUCT, INCLUDING BUT NOT LIMITED TO ANY IMPLIED WARRANTIES OF MERCHANTABILITY AND FITNESS FOR A PARTICULAR PURPOSE, ARE LIMITED IN TIME TO THE TERM OF THIS WARRANTY. SOME STATES, JURISDICTIONS, OR COUNTRIES DO NOT ALLOW THE EXCLUSION OF CERTAIN IMPLIED WARRANTIES OR CONDITIONS, OR LIMITATIONS ON HOW LONG AN IMPLIED WARRANTY OR CONDITION LASTS, SO THIS LIMITATION MAY NOT APPLY TO YOU. NVX DOES NOT ACCEPT LIABILITY FOR SPECIAL, INDIRECT, CONSEQUENTIAL, OR INCIDENTAL DAMAGES, INCLUDING WITHOUT LIMITATION, ANY LIABILITY FOR THIRD PARTY CLAIMS AGAINST YOU FOR DAMAGES OR FOR PRODUCTS NOT BEING AVAILABLE FOR USE. THE MAXIMUM LIABILITY FOR WHICH NVX MAY BE RESPONSIBLE WILL BE NO MORE THAN THE AMOUNT YOU PAID FOR THE PRODUCT THAT IS THE SUBJECT OF THE CLAIM. SOME STATES, JURISDICTIONS, OR COUNTRIES DO NOT ALLOW THE EXCLUSION OR LIMITATION OF SPECIAL, INDIRECT, INCIDENTAL, OR CONSEQUENTIAL DAMAGES, SO THE ABOVE LIMITATION OR EXCLUSION MAY NOT APPLY TO YOU.**

## Warranty Outside the U.S.

The Warranty on this product shall comply with applicable law when sold to a consumer outside of the United States. To obtain any applicable warranty service, please contact the dealer from which you purchased this product, or the distributor that supplied this product.

## WHAT TO DO IF YOU NEED WARRANTY OR SERVICE

Defective products should be returned to the place of purchase. Your authorized NVX dealer is trained to handle and expedite any warranty claim. Assistance in locating an authorized dealer can be found at [nvx.com](http://nvx.com) or by contacting NVX directly.

**Alternatively, if it becomes necessary for you to return defective product directly to NVX, please refer to the following instructions for warranty service:**

- Receive your RA Number from NVX online at [nvx.com/support](http://nvx.com/support)
- Package all defective components in the original packaging (if available) or in a package that will prevent shipping damage.
- Package the original packaging in an additional shipping container to avoid shipping damages and to comply with most shipping couriers such as UPS and FedEx.
- Insure your return at the price paid as NVX is not responsible for insurance losses or damages occurring in shipment to our facility.
- Clearly mark RA Number on the outside shipping container.
- Return only defective components as the return of functioning items increases your return freight charges.
  - Non-defective returns or products not eligible for warranty service will be returned freight collect.
- Include a copy of the original receipt with the purchase date clearly visible, and a "proof-of-purchase" statement listing the customer's name, dealer's name and invoice number, and product purchased.
  - Warranty expiration on items without proof-of-purchase will be determined from type of sale and the manufacturing date code.
- Ship your package freight prepaid to the address below. Items sent freight collect or COD will be refused.

**NVX**  
**Attn: Returns**  
**10645 Freeport Dr.**  
**Louisville, KY 40258-1873**

Failure to follow the steps listed above may void your warranty. Any questions can be directed via email to [cs@nvx.com](mailto:cs@nvx.com) or via mail at the address listed above.

## NOTES

<hr/> <hr/> <hr/> <hr/> <hr/> <hr/> <hr/> <hr/> <hr/> <hr/>	<hr/> <hr/> <hr/> <hr/> <hr/> <hr/> <hr/> <hr/> <hr/> <hr/>
---	---

Authorized Dealer's Name: _____
Purchase Date: _____
Model Number: _____
Serial Number: _____

