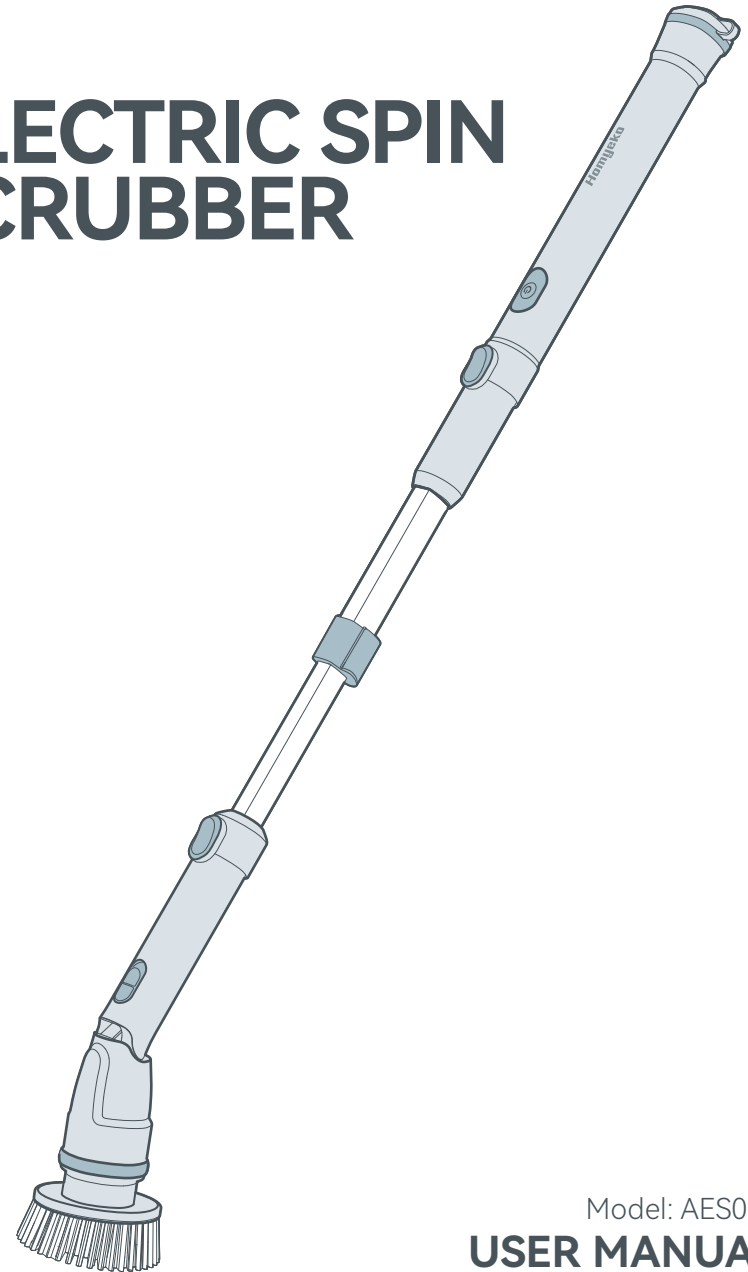


**Homyeko**

**Homyeko**

# ELECTRIC SPIN SCRUBBER



Model: AES023  
**USER MANUAL**

# IMPORTANT SAFETY INSTRUCTIONS


## READ ALL INSTRUCTIONS BEFORE USE AND SAVE FOR FUTURE REFERENCE

When using an electrical appliance, especially when children are present, basic safety precautions should always be followed, including the following:

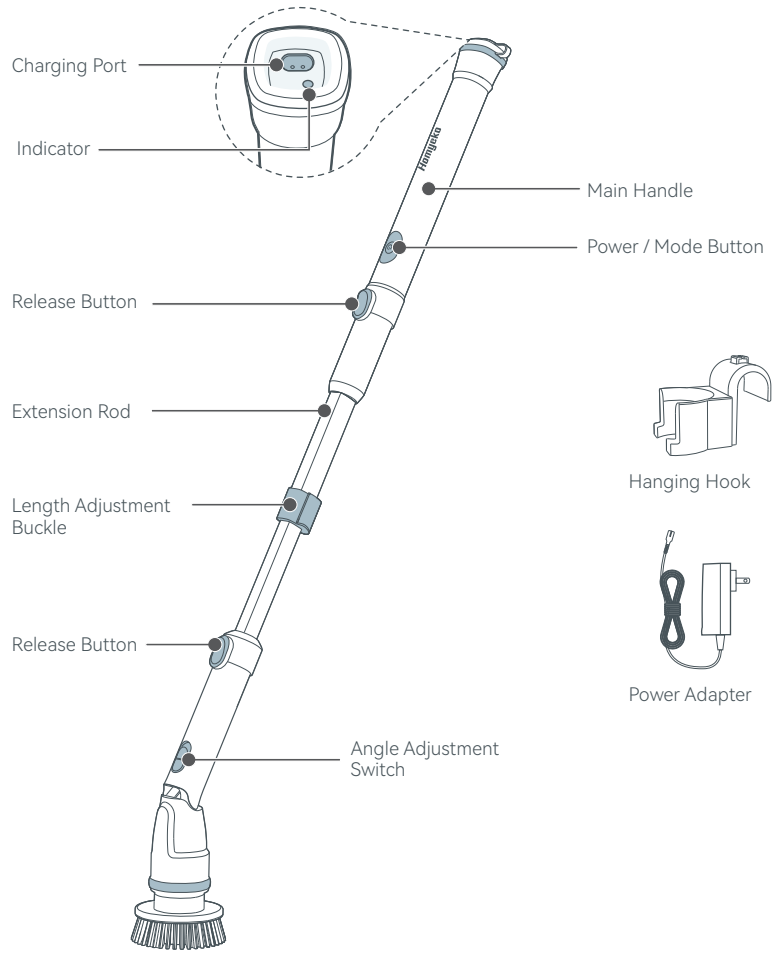
- Make sure that the spin scrubber is well-assembled before use.
- This appliance is not intended for use by persons (including children) with reduced physical, sensory or mental capabilities, or lack of experience and knowledge, unless they have been given supervision or instruction concerning the use of the appliance by person responsible for their safety.
- To protect against the risk of electric shock, do not immerse the scrubber in water or other liquid. Do not charge battery if it is wet or shows signs of corrosion.
- If the cord is damaged, it must be replaced by the manufacturer or its service agent or similarly qualified person in order to avoid a hazard.
- DO NOT store or use the appliance near explosive and flammable objects or liquids.
- DO NOT disassemble, repair or modify internal parts by yourself, please tell us if you have quality problems.
- DO NOT disassemble, repair, or try to open the battery. When charging, keep away from hot or flammable objects.
- DO NOT use other brush heads than the ones recommended by the manufacturer.
- Use ONLY the provided power adapter.
- Always use proper eye protection when using the power scrubber with irritating substances. Rubber gloves are also recommended.
- Keep the hair, cloth or other parts of your body away from the brush head to avoid convolving.
- Use the appliance only for intended household purposes as described in this User Manual.

## SAVE THESE INSTRUCTIONS

## Specifications

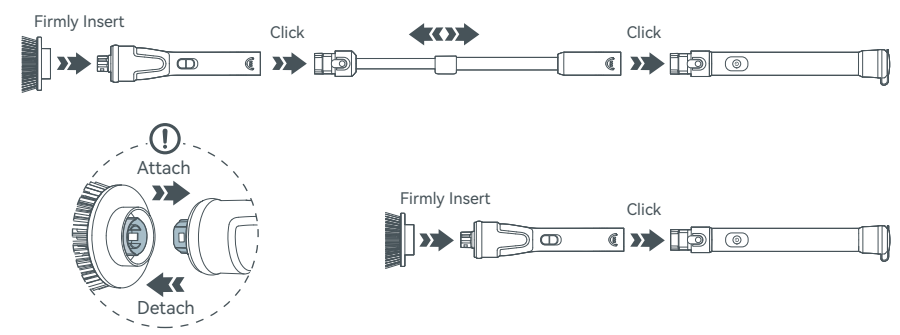
Model	AES023
Rated Power	14,8W
Adapter Output	9V  0.65A
Battery Capacity	2500mAh Li-ion Battery
Charging Time	4.5±0.5 Hours
Speed	Low: 280±10%RPM, High: 380±10%RPM
Noise	≤70±5dB

# EXPLORING YOUR SPIN SCRUBBER

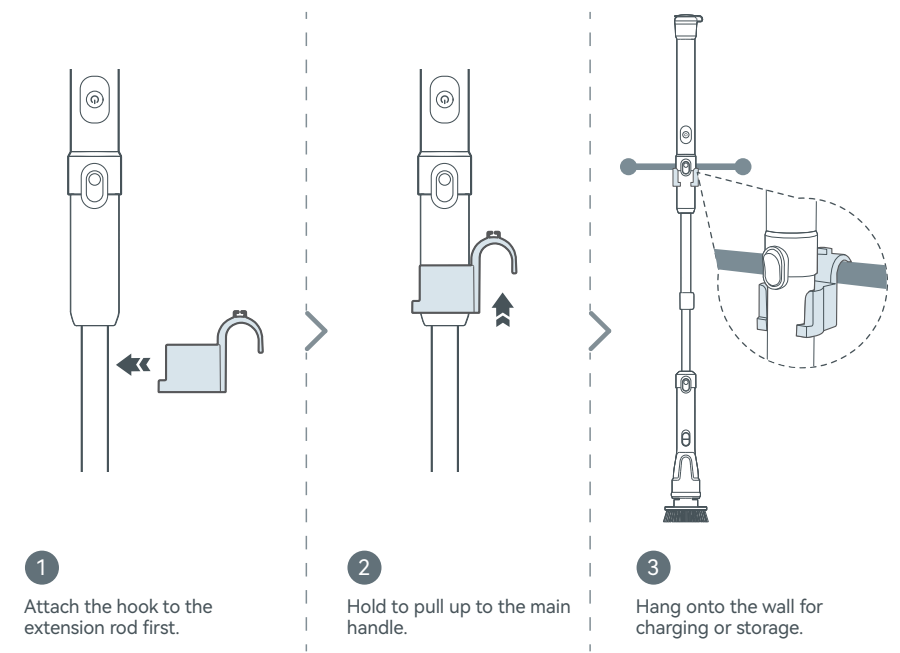


# SETTING UP

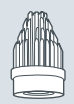
**!** Make sure that the spin scrubber is turned off before assembling any part. Assemble it in place before use.




# INSTALLING HOOK




**Brush Heads**




Corner Brush \*2



Small Flat Brush \*1



Large Flat Brush \*1

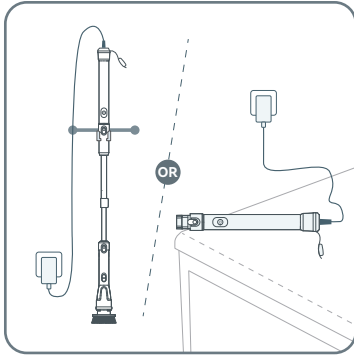


Dome Brush \*1

# USING YOUR SPIN SCRUBBER



- We highly recommend that you fully charge the spin scrubber before first use. Use only the provided power adapter.
- Allow the scrubber to rest after continuous working for 30 minutes.

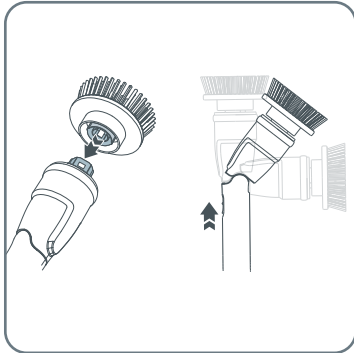


1

## Hanging or Charging Separately

Connect to the electric outlet with the included power adapter. It takes about 4 hours for a full charge.

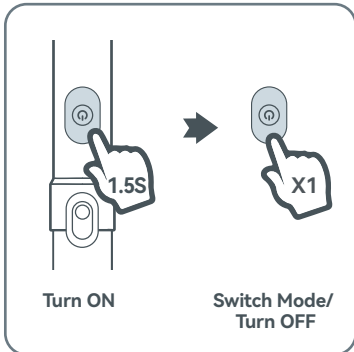
- Flashing Red** > Charging / Battery Low
- Solid Green** > Fully Charged / Running
- Flashing Green** > Overload Protection



2

## Attaching Brush Head

Firmly insert your desired brush head into place. Slide the switch to adjust angle to your needs.



3

## Power ON / Switching Mode

Hold Power button for 1.5s to turn ON (Low by default). Press once again to switch to High mode. Press a third time to turn OFF.

# GETTING MOST FROM SPIN SCRUBBER



## Hang it off the floor after using.

To extend the lifespan of brush heads, it is recommended to hang the scrubber with hook after using.



## Clean with detergent.

For better cleaning effect, clean with detergent (such as mold & mildew removers, water stain removers, all-purpose cleaner) for different needs.



## Soak stubborn stains.

To easily remove stubborn stains, soak stains in water and detergent for a while before cleaning.



## Protect eyes and hands.

Always use proper eye protection when using the scrubber with irritating substances. Rubber gloves are also recommended.



## Regularly replace brush head.

Replace your brush head regularly to achieve optimal results. Tell us for replacement brush head.



## Use of Accessories:



### Corner Brush

For corners, edges, tight places, even wheels



### Large Flat Brush

For large flat surfaces, like tiles, glass or window



### Small Flat Brush

For narrow flat surfaces, like stove or counter



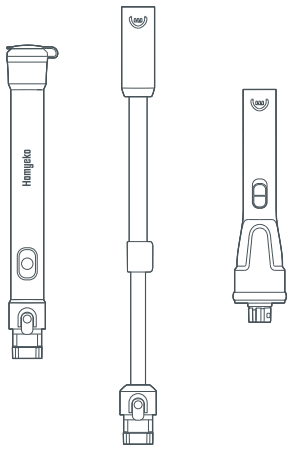
### Dome Brush

Concave cleaning brush for bathtub or sink

## CARE AND CLEANING

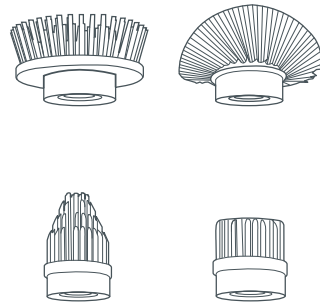


- Never immerse the handle part in water.
- Store the scrubber in a ventilated and shady place. Avoid placing it in a damp place or being exposed to strong sunlight.
- If you are not going to use the scrubber for an extended period of time, fully charge it and charge at least once every three months.



### Unwashable Handle Part

Gently wipe with a wrung soft cloth.  
Dry all parts and reassemble for  
next use.



### Washable Brush Heads

Clean under tap water or soak  
with neutral detergent for  
easy cleaning.

## TROUBLESHOOTING

The troubleshooting guide addresses the most common problems.

### Q: My spin scrubber does not work or stops spinning suddenly.

- A:**
- Check if the spin scrubber is charging. It cannot work when charging.
  - If the indicator keeps flashing red, the spin scrubber may run out of battery or battery low. Charge it promptly.
  - If the indicator keeps flashing green, the overload protection is triggered and the scrubber stops spinning automatically. Hold the Power button to turn it back on.
  - You may press the brush head too hard and the scrubber stops spinning automatically. To return to normal status, hold the Power button to turn it back on.

### Q: The battery of my spin scrubber is draining quickly.

- A:**
- Make sure the spin scrubber is fully charged with the included power adapter.
  - Do not press the brush head too hard. It cannot last long when strong force is applied.
  - Select Low working mode for light-duty cleaning to save power.

### Q: My spin scrubber seems less powerful.

- A:**
- You may need to fully charge the spin scrubber.
  - Select High working mode by pressing the Power button.

### Q: My spin scrubber does not charge.

- A:**
- Make sure the spin scrubber is properly charged with the original power adapter.
  - Outlet is not working. Try a different outlet to fully charge the spin scrubber.

## SERVICE

Thank you for choosing Homyeko Electric Spin Scrubber.

### The service will not apply in cases of:

- Accident, misuse, or repairs performed by unauthorized personnel.
- Any unit that has been tampered with or used for commercial purpose.
- Normal wear and tear of wearable parts.
- Use of force, damage caused by external influences.
- Damage caused by non-observance of the User Manual, e.g. connection to an unsuitable mains supply or non-compliance with the instructions.
- Partially or completely dismantled appliances.
- Defects caused by or resulting from damages from shipping or from repairs, service, or alteration to the product or any of its parts that have been performed by a repair person not authorized.

We can only provide after sales service for products that are sold by Homyeko or Homyeko authorized retailers and distributors.



## FCC Compliance

This device complies with Part 15 of the FCC Rules. Operation is subject to the following two conditions: (1) this device may not cause harmful interference, and (2) this device must accept any interference received, including interference that may cause undesired operation.