

**iSolarPro.de**

**MACH DEINEN STROM!**

EMPOWERING OUR WORLD  
WITH CLEAN ENERGY

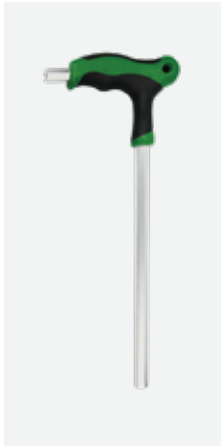


## **INSTALLATION MANUAL**

**Universal easy solar bracket**

# INSTALLATION INSTRUCTIONS

## 1.Application scenarios



Allen Key 6mm  
(M8 Hexagon Socket Screw)



Tape



13mm Spanner

## 2.Application scenarios



Railing



Flat surface

## 3.Packaging and details

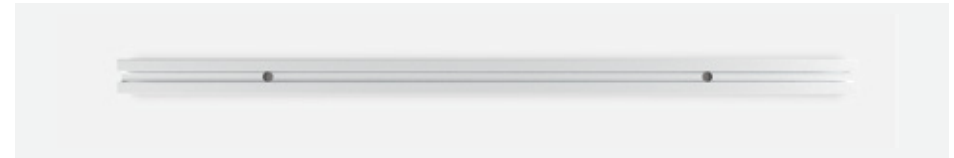
(Accessories are subject to the actual product)



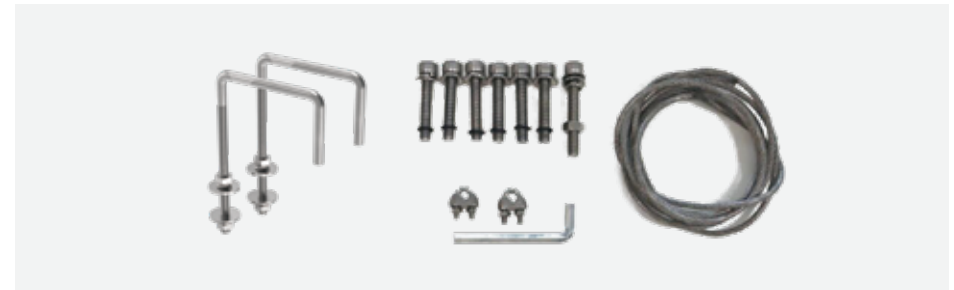
The way of packing



Asm-1\*2



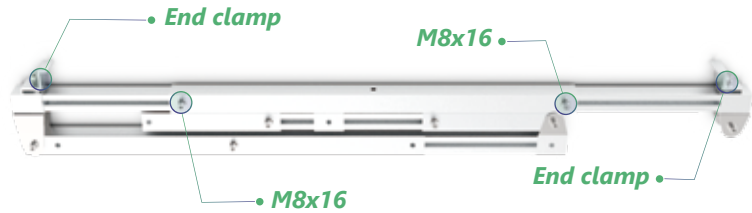
Asm-2\*3



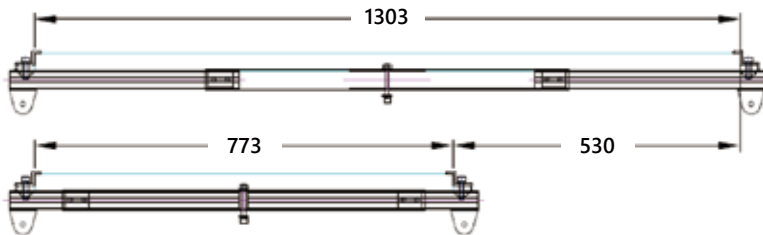
Accessories

#### 4. Installation Instruction

4.1 Take out "ASM-1", loosen the bolts on L025 and end clamps, measure it with a tape to adjust spacing between end clamps equal to the width of solar panel.



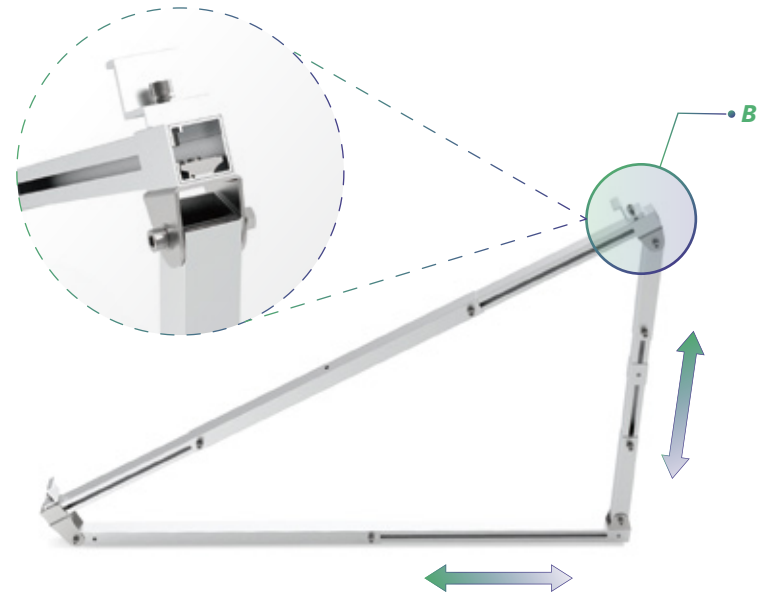
Note: solar module width range:  $773 \leq A \leq 1303$ mm



4.2 Loosen bottom M8x16 bolt, stretch and unfold.



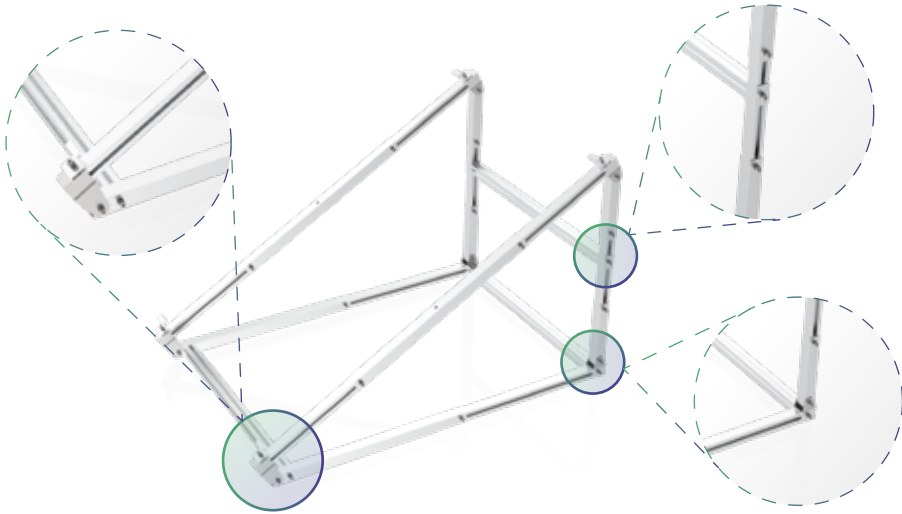
4.3 Loosen the M8x55 bolt, rotate the rear post, and install on the U-joint.



4.4 Repeat steps 4.1 to 4.3, align with the first tripod to complete the installation of another set of tripod.

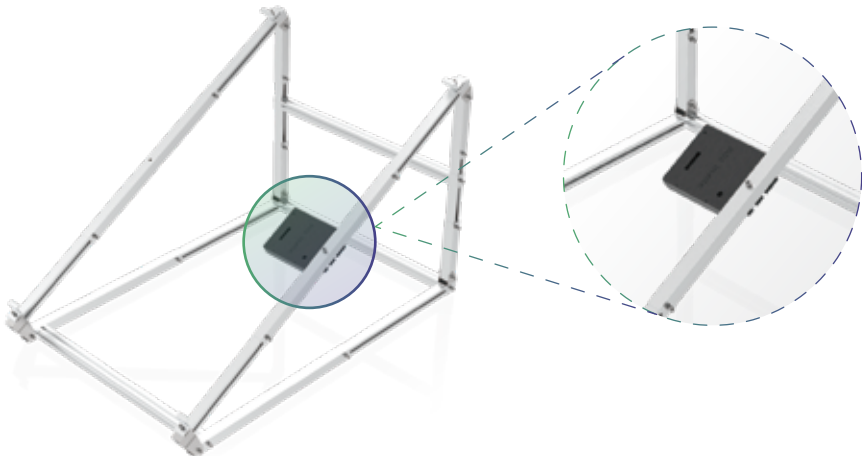


4.5 Adjust the angle of the tripod and install the three crossbars with the M8x45 bolt. At this time, adjust the tripod and lock the bolts in each part. As shown in the figure below.



Note: When it's installed in railing, the hole on the side of L041 needs to face left and right; and when it's installed on the wall, the hole needs to face up.

4.6 Install micro inverters on the back and lock them with M8x55 bolts, as shown in figure.



4.7 Loosen the end clamps to place the solar panel; After position is determined and then fix solar panel tightly. As shown in figure.



4.8 Completion.

Use wire rope, lock catch and U bolts when it's installed on the railing.

