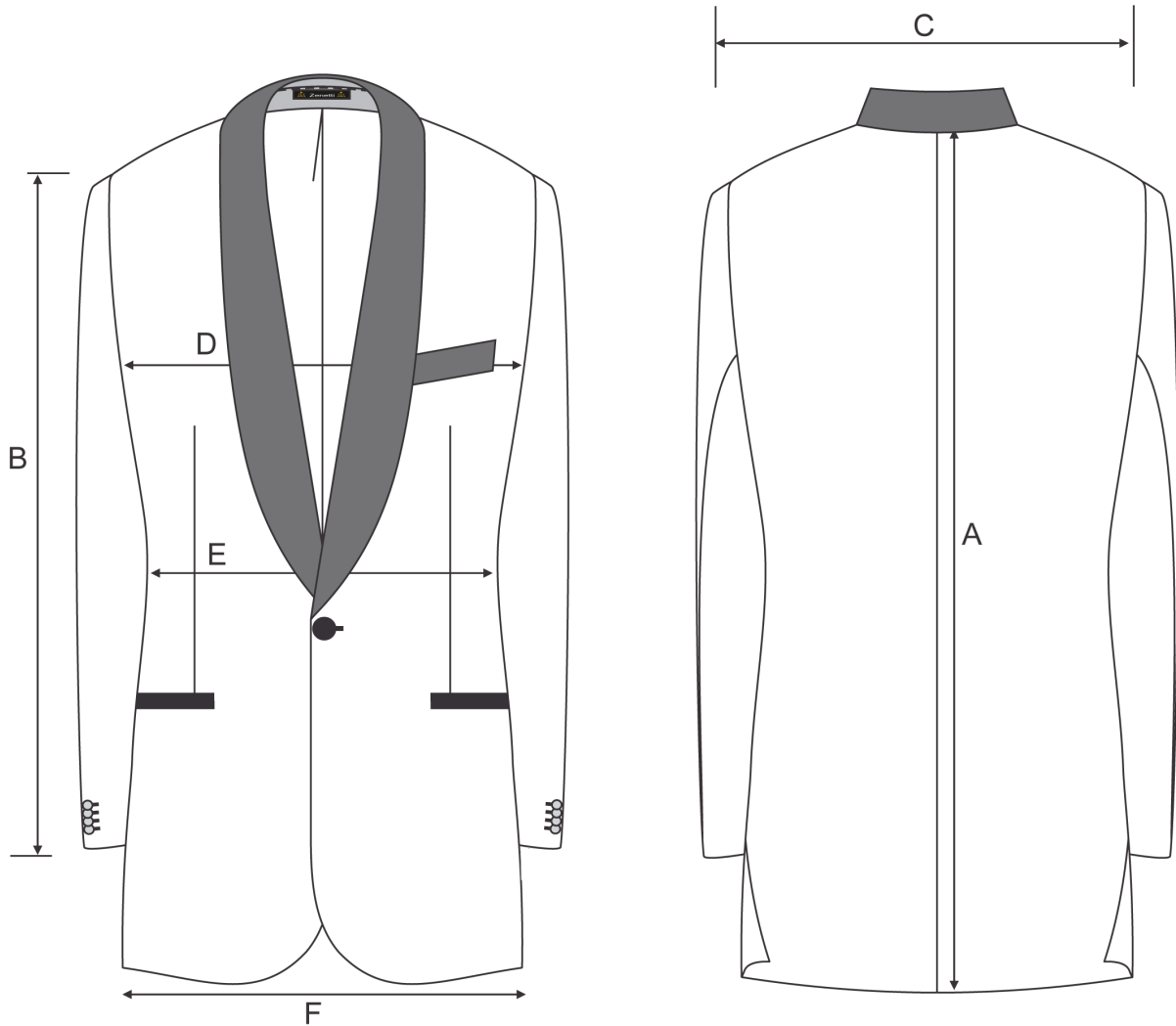


Suit Specifications

Block A

Suit Code: ZSU003, ZSU004, ISU018



*Styling may vary. Refer to image in Product Manual

PLEASE NOTE: ALL MEASUREMENTS ARE IN CENTIMETRES

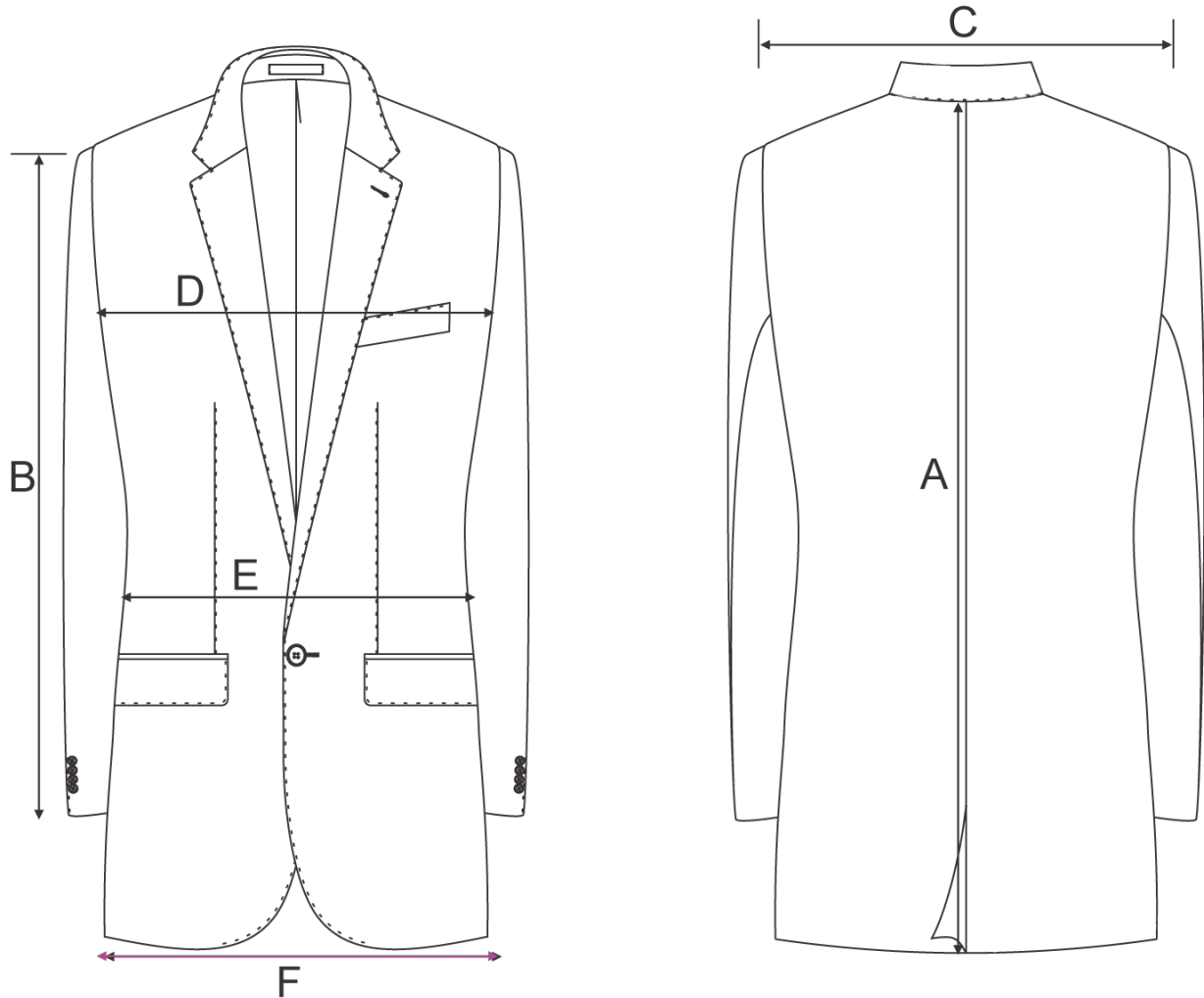
JACKET SIZE - INCHES		34	36	38	40	42	44	46	48	50
MATCHING TROUSER - CMS		87	92	97	102	107	112	117	122	127
A	CB LENGTH - REG	73.5	74.5	75.5	76.5	77.5	78.5	79.5	80.5	81.5
B	SLEEVE LENGTH - REG	60.5	61.5	62.5	63.5	64.5	65.5	66.5	67.5	68.5
C	ACC SHOULDER Shoulder point to point	44.6	45.9	47.2	48.5	49.8	51.1	52.4	53.7	55
D	CHEST at arm	98	103	108	113	118	123	128	133	138
E	WAIST 16cm below armhole	89	94	99	104	109	114	119	124	129
F	HEM	103	108	113	118	123	128	133	138	143

NOTE: **LONG** = BODY & SLEEVE LENGTH +2.5CM / 1"
SHORT = BODY & SLEEVE LENGTH -2.5CM / 1"

Suit Specifications

Block B

Suit Code: ZJK022, ZJK023, ZJK028, ZSU024, ZSU025, IJK029, IJK030, IJK031, IJK032, IJK033



*Styling may vary. Refer to image in Product Manual

PLEASE NOTE: ALL MEASUREMENTS ARE IN CENTIMETRES

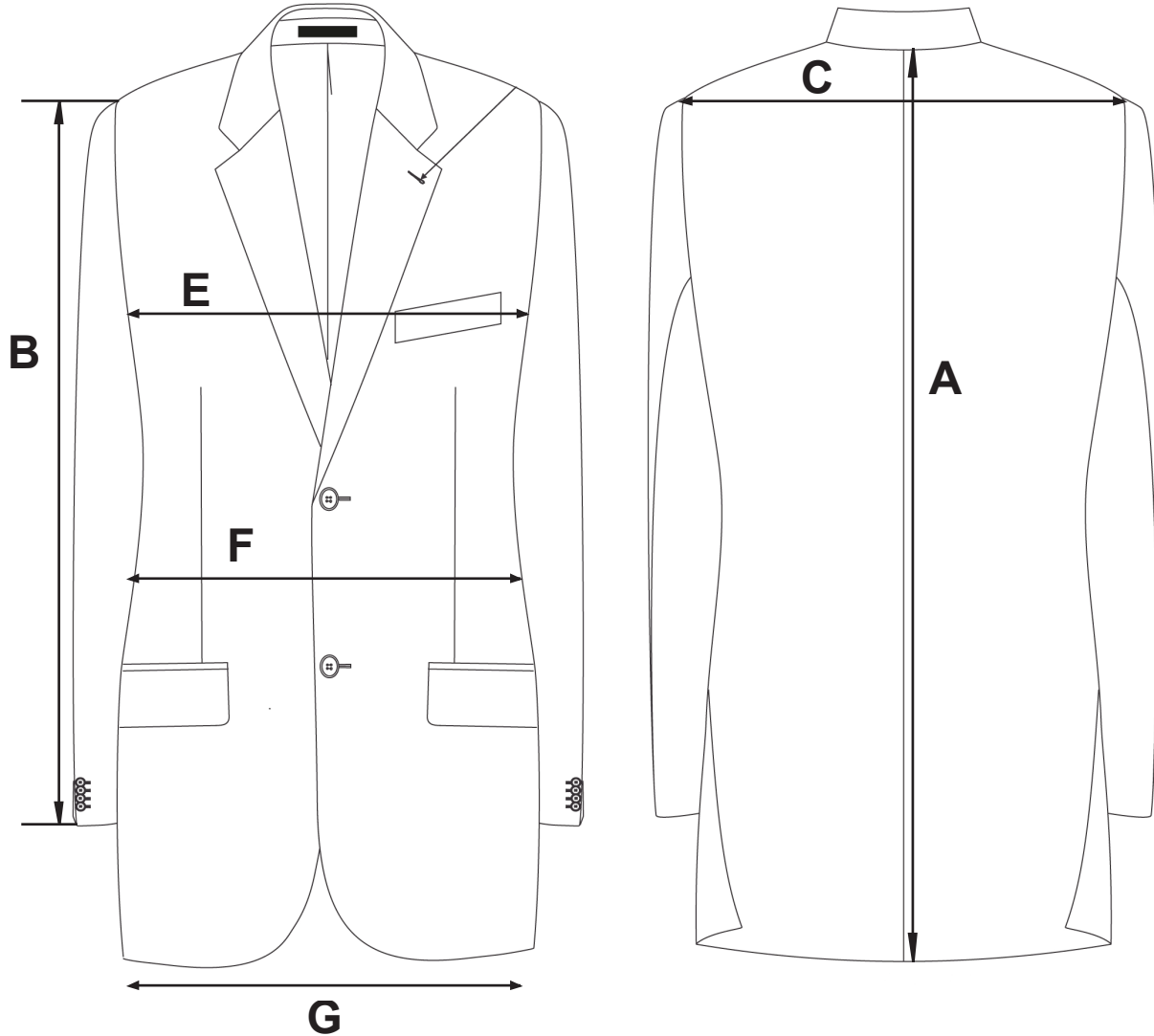
JACKET SIZE - INCHES		34	36	38	40	42	44	46	48	50	52
MATCHING TROUSER - CMS		87	92	97	102	107	112	117	122	127	132
A	CB LENGTH - REG	70.5	71.5	72.5	73.5	74.5	75.5	76.5	77.5	78.5	79.5
B	SLEEVE LENGTH - REG	60.5	61.5	62.5	63.5	64.5	65.5	66.5	67.5	68.5	69.5
C	ACC SHOULDER Shoulder point to point	42	43.2	44.4	45.6	46.8	48	49.2	50.4	51.6	52.8
D	CHEST at arm	95	100	105	110	115	120	125	130	135	140
E	WAIST 16cm below armhole	81	86	91	96	101	106	111	116	121	126
F	HEM	97	102	107	112	117	122	127	132	137	142

NOTE: **LONG** = BODY & SLEEVE LENGTH +2.5CM / 1"
SHORT = BODY & SLEEVE LENGTH -2.5CM / 1"

Suit Specifications

Block C

Suit Code: ISU028



*Styling may vary. Refer to image in Product Manual

PLEASE NOTE: ALL MEASUREMENTS ARE IN CENTIMETRES

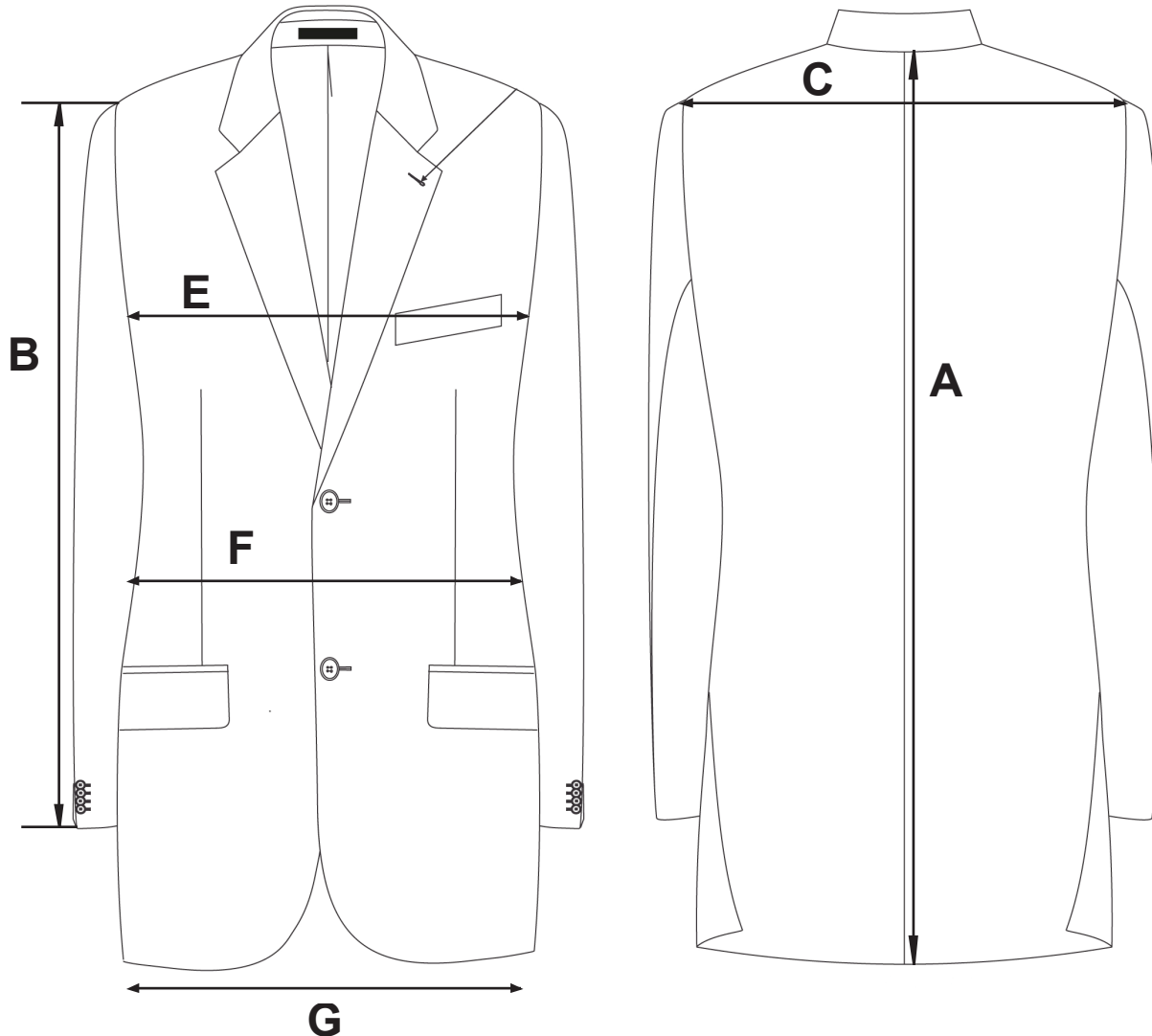
JACKET SIZE - INCHES		34	36	38	40	42	44	46	48	50
MATCHING TROUSER - CMS		87	92	97	102	107	112	117	122	127
A	CB LENGTH - REG	72	73	74	75	76	77	78	79	80
B	SLEEVE LENGTH - REG	61	62	63	64	65	66	67	68	69
C	ACC SHOULDER Shoulder point to point	44.4	45.6	46.8	48	49.2	50.4	51.6	52.8	54
E	CHEST at arm	99	104	109	114	119	124	129	134	139
F	WAIST 16cm below armhole	87	92	97	102	107	112	117	122	127
G	HEM	97	102	107	112	117	122	127	132	137

NOTE: **LONG** = BODY & SLEEVE LENGTH +2.5CM / 1"
SHORT = BODY & SLEEVE LENGTH -2.5CM / 1"

Suit Specifications

Block D

Suit Code: ZJK029, ZJK030, DHJK001



*Styling may vary. Refer to image in Product Manual

PLEASE NOTE: ALL MEASUREMENTS ARE IN CENTIMETRES

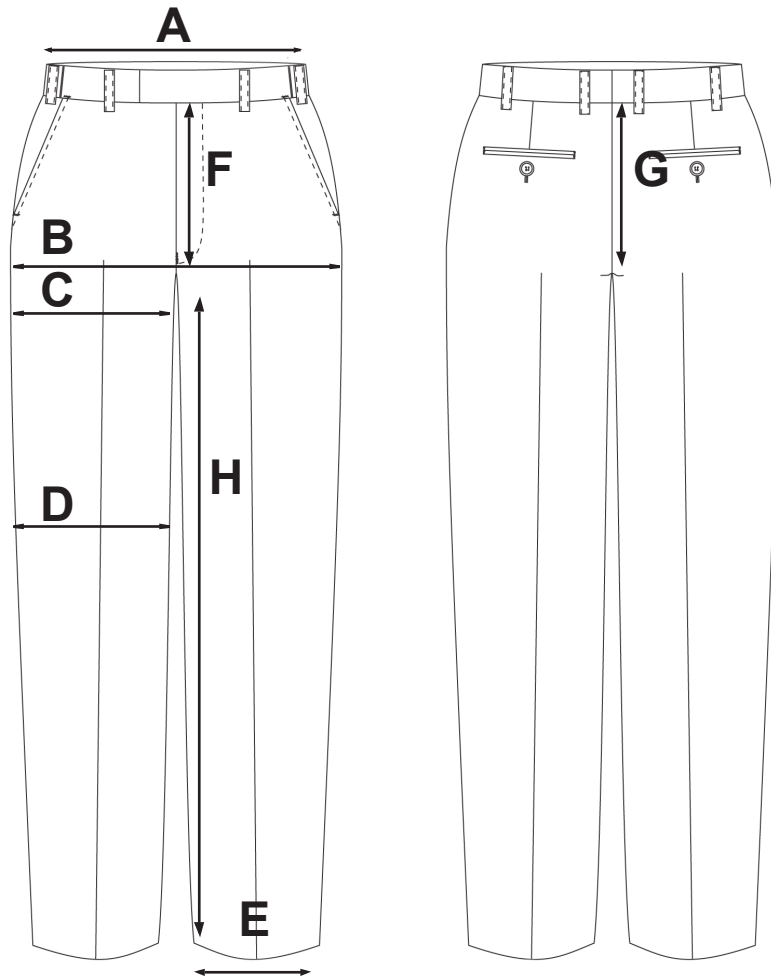
JACKET SIZE - CMS		88	92	96	100	104	108	112	116	120	124	128	132
MATCHING TROUSER - CMS		76	80	84	88	92	96	100	104	108	112	116	120
A	CB LENGTH - REG	69.5	71.5	73	74	75	76	78	78.5	79.5	80	80.5	81
B	SLEEVE LENGTH - REG	62.5	63	63.5	64	64.5	65	66	67	67.5	68	68.5	69
C	ACC SHOULDER Shoulder point to point	43.7	45	46.3	47.6	48.9	50.2	51.7	53.2	54.5	56	57.3	58.8
E	CHEST at arm	100	104	108	112	116	120	125	130	134	139	143	148
F	WAIST 16cm below armhole	89	93	97	101	105	109	114	119	123	128	132	137
G	HEM	102	106	110	114	118	122	127	132	136	141	145	150

NOTE: **LONG** = BODY + 3CM SLEEVE LENGTH +2CM
SHORT = BODY & SLEEVE LENGTH -2CM

Trouser Specifications

Block E

Trouser Code: ZP022, ZP024, ZP025, ZP023, ZP028, IP032, IP033, IP034



*Styling may vary. Refer to image in Product Manual

PLEASE NOTE: ALL MEASUREMENTS ARE IN CENTIMETRES

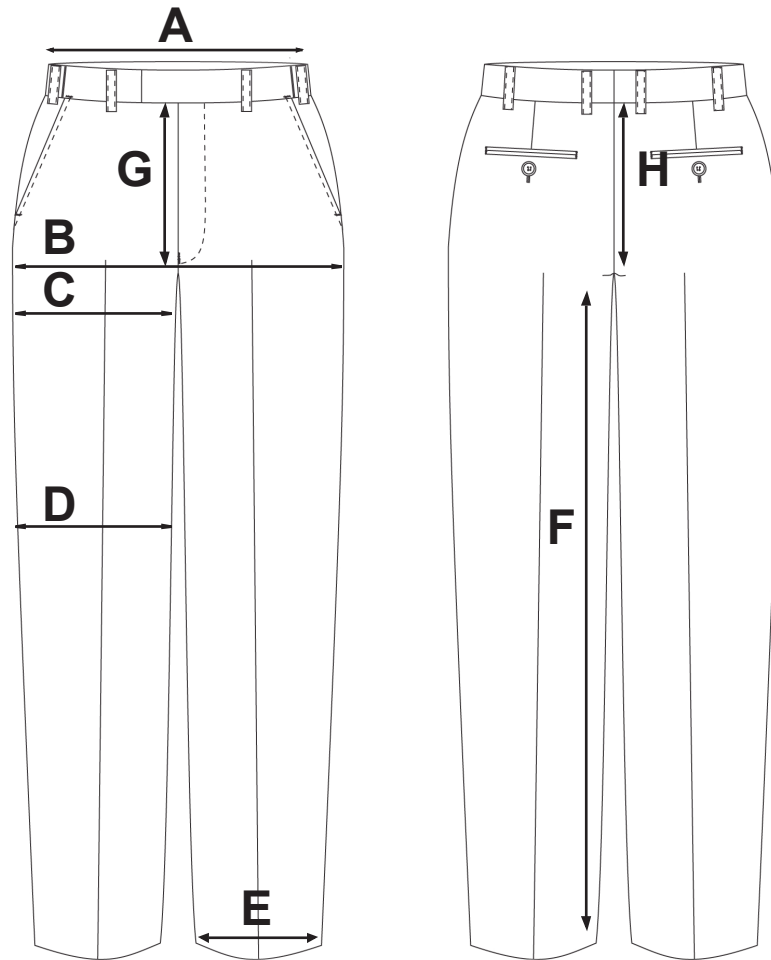
JACKET SIZE		72-28	77-30	82-32	87-34	92-36	97-38	102-40	107-42	112-44	117-46
MATCHING TROUSER		87-34	92-36	97-38	102-40	107-42	112-44	117-46	122-48	127-50	132-52
A	WAIST	74	79	84	89	94	99	104	109	114	119
B	HIP Base of fly	95	100	105	110	115	120	125	130	135	140
C	THIGH - at crotch	60.5	63	65.5	68	70.5	73	75.5	78	80.5	83
D	KNEE - 35cm down from crotch	42.2	43.6	44.8	46	47.2	48.4	49.6	50.8	52	53.2
E	BOTTOM	39.5	40.5	41.5	42.5	43.5	44.5	45.5	46.5	47.5	48.5
F	FRONT RISE Excl'd w/b	21	21.5	22	22.5	23	23.5	24	24.5	25	25.5
G	BACK RISE Excl'd w/b	36.5	37	37.5	38	38.5	39	39.5	40	40.5	41
H	INLEG - R	83	83	83	83	83	83	83	83	83	83

NOTE: **LONG** = INLEG MEASUREMENTS +2.5CM / 1"
SHORT = INLEG MEASUREMENTS -2.5CM / 1"

Trouser Specifications

Block F

Trouser Code: ZP003, IP028



*Styling may vary. Refer to image in Product Manual

PLEASE NOTE: ALL MEASUREMENTS ARE IN CENTIMETRES

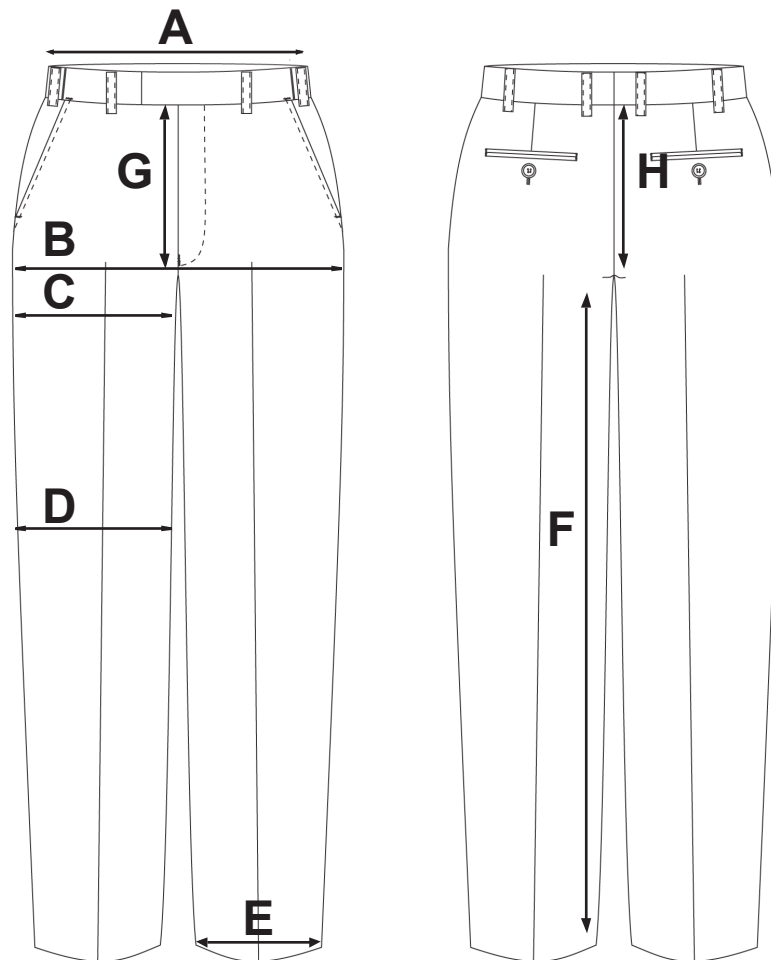
JACKET SIZE		72-28	77-30	82-32	87-34	92-36	97-38	102-40	107-42	112-44
MATCHING TROUSER		87-34	92-36	97-38	102-40	107-42	112-44	117-46	122-48	127-50
A	WAIST	73	78	83	88	93	98	103	108	113
B	HIP Base of fly	97	102	107	112	117	122	127	132	137
C	THIGH	62.5	65	67.5	70	72.5	75	77.5	80	82.5
D	KNEE 35cm down from crotch	44.2	45.6	46.8	48	49.2	50.4	51.6	52.8	54
E	BOTTOM	39.5	40.5	41.5	42.5	43.5	44.5	45.5	46.5	47.5
F	INLEG - R	83	83	83	83	83	83	83	83	83
G	FRONT SIDE Excl'd w/b	21	21.5	22	22.5	23	23.5	24	24.5	25
H	BACK RISE Excl'd w/b	36.5	37	37.5	38	38.5	39	39.5	40	40.5

NOTE: **LONG** = INLEG MEASUREMENTS +2.5CM / 1"
SHORT = INLEG MEASUREMENTS -2.5CM / 1"

Trouser Specifications

Block G

Trouser Code: IP018



*Styling may vary. Refer to image in Product Manual

PLEASE NOTE: ALL MEASUREMENTS ARE IN CENTIMETRES

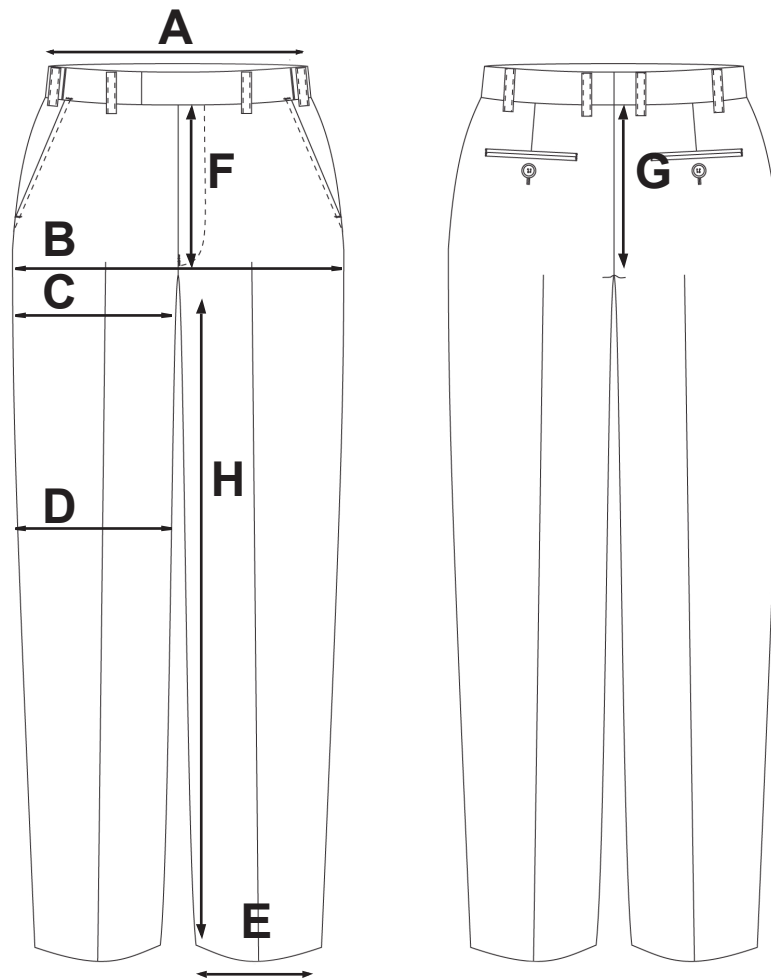
JACKET SIZE		72-28	77-30	82-32	87-34	92-36	97-38	102-40	107-42	112-44
MATCHING TROUSER		87-34	92-36	97-38	102-40	107-42	112-44	117-46	122-48	127-50
A	WAIST	73	78	83	88	93	98	103	108	113
B	HIP Base of fly	95	100	105	110	115	120	125	130	135
C	THIGH	64.1	66.4	68.7	71	73.3	75.6	77.9	80.2	82.5
D	KNEE 35cm down from crotch	48.5	50.1	51.7	53.5	55.1	56.7	57.9	59.1	60.3
E	BOTTOM	43	44	45	46	47	48	48	49	50
F	INLEG - R	80	81	82	83	84	85	85	85	85
G	FRONT SIDE Excl'd w/b	22.5	23	23.5	23.5	24	24.5	25	26	26
H	BACK RISE Excl'd w/b	37	37.5	38	38	38.5	39	39.5	40	40

NOTE: **LONG** = INLEG MEASUREMENTS +2.5CM / 1"
SHORT = INLEG MEASUREMENTS -2.5CM / 1"

Trouser Specifications

Block H

Trouser Code: ZP029, ZP030, DHP001



*Styling may vary. Refer to image in Product Manual

PLEASE NOTE: ALL MEASUREMENTS ARE IN CENTIMETRES

JACKET SIZE		88	92	96	100	104	108	112	116	120	124	128	132
MATCHING TROUSER		76	80	84	88	92	96	100	104	108	112	116	120
A	WAIST	77	81	85	89	93	97	101	105	109	113	117	121
B	HIP Base of fly	96.8	100.2	103.6	107	110.5	114	117.5	122	124.5	128	130.5	133.9
C	THIGH - at crotch	61.3	63.2	65.1	67	68.9	70.8	72.7	74.6	76.5	78.3	80.1	81.9
D	KNEE - 35cm down from crotch	43	45	47	48	49	50	51	52	53	54	55	56
E	BOTTOM	39.6	40.2	40.8	41.4	42	42.6	43.2	43.8	44.4	45	45.6	46.2
F	FRONT RISE Excl'd w/b	20.3	20.7	21.1	21.5	21.9	22.3	22.7	23.1	23.5	23.9	24.3	24.7
G	BACK RISE Excl'd w/b	35.6	36.4	37.2	38	38.8	39.6	40.4	41.2	42	42.8	43.6	44.4
H	INLEG - R	79	81	81	82	82	83	83	83	84	84	84	84

NOTE: **LONG** = INLEG MEASUREMENTS +3CM
SHORT = INLEG MEASUREMENTS - 3CM