

Model SF

Plastic Fertilizer Meter

The SF is a fertilizer & chemical solutions meter with electrical output and a totalizing register. The impeller is the only moving part, inside the meter, that comes into contact with the liquid.



Applications

- Fertilizing control in automated irrigation systems
- Industrial applications involving corrosive liquids

Available Sizes

1/2" (15mm)

Features

- EV Output
- Mechanical register with totalizer, 3 pointers and leakage detector
- High accuracy
- Corrosion resistant plastic components
- Small & lightweight.
- Compatible with Dialog automatic reading system

Technical Specifications

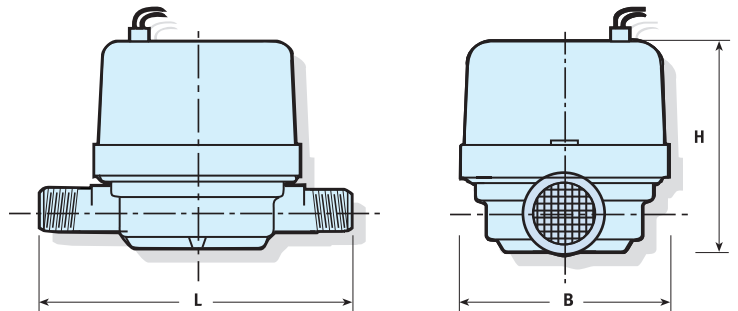
Maximum Working Pressure	5 bar
Maximum Working Temperature	50°C
Body	PPS
Connection	3/4" BSP
Electrical output	0.1, 1 and 10 liter / pulse

Model SF

Plastic Fertilizer Meter

Dimensions

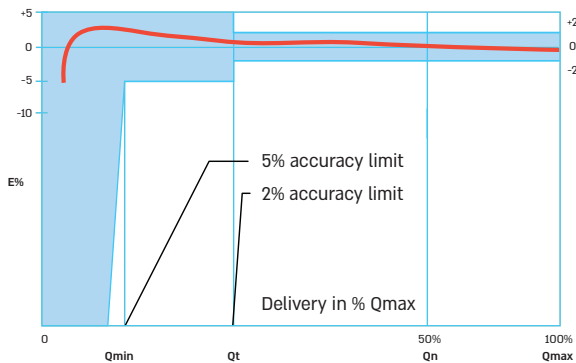
Model		SF
Nominal size	(mm)	15
	(inch)	1/2
L - Length (mm)		110
H - Height (mm)		81
B - Width (mm)		77
Weight (kg)		0.28



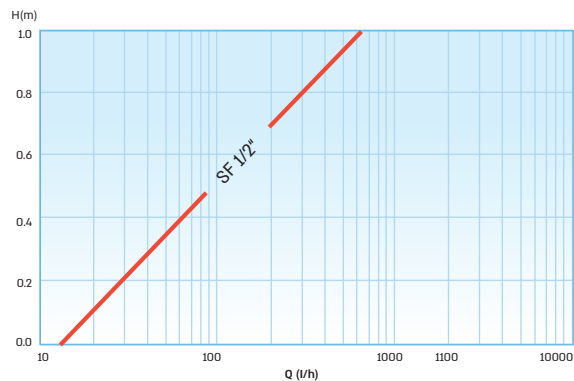
Performance data:

Model SF		QMAX Maximum flowrate (l/h)	Qt Lowest Flowrate Measured between $\pm 2\%$ (l/h)	Qmin Lowest Flowrate Measured between $\pm 5\%$ (l/h)	Loss of Head at Maximum flow rate (bar)
Nominal size					
(mm)	(inch)				
80	1/2	750	70	25	0.12

Accuracy Curve



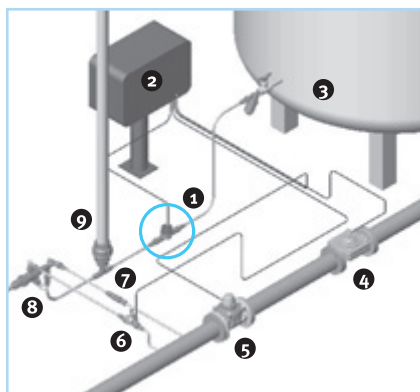
Head Loss Curve



Installation Requirements

The fertilizer meter should be installed in horizontal position.

Installation Scheme



1. SF Fertilizer Meter
2. Irrigation computer
3. Fertilizer tank
4. Hydraulic valve
5. Water meter
6. Hydraulic valve
7. Flow limiter valve
8. Fertilizer Pump
9. 75 mm damping pipe

Model PB

Plastic Body Liquid Chemical Meter

The PB is an angle type, plastic body, multi-jet liquid chemical meter.



Features

- The impeller is corrosion resistant and is the only moving element that comes in contact with the liquid
- Electrical output (EV)

Applications

- Measuring flow of fertilizer solutions, for agriculture, distilled water, seawater and many other diluted solutions

Available Sizes

1" (25mm) - Qn=2.5, Qn=5

Technical Specifications

Maximum Working Pressure	10 bar
Maximum Working Temperature	50°C
Body	PVC
Connection	1" BSP
Electrical output	1, 10, 100 liter/pulse

Model PB

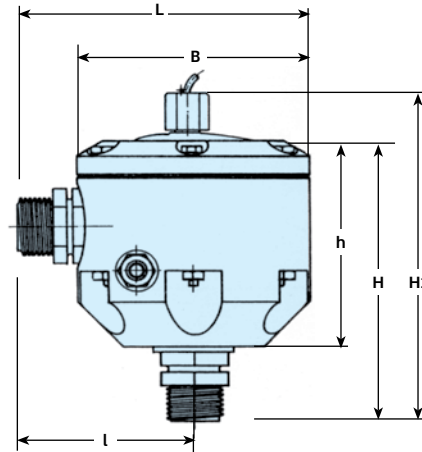
Plastic Body Liquid Chemical Meter

Performance data

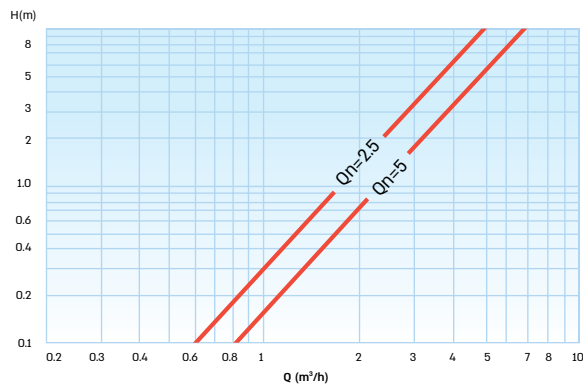
Model PB		Qmax Maximum flowrate (m ³ /h)	Qn Nominal Flowrate (m ³ /h)	Qt Transitional Flowrate (l/h)	Qmin Minimum Flowrate (l/h)	Minimum register capacity (m ³)	Minimum register capacity (Liter)	Accuracy between Qmax & Qt	Accuracy between Qt & Qmin
Nominal Size									
inch	mm								
1	25	5	2.5	200	50	10 ⁵	0.1	2% ±	5% ±
		10	5	400	100	10 ⁵	0.1		

Dimensions

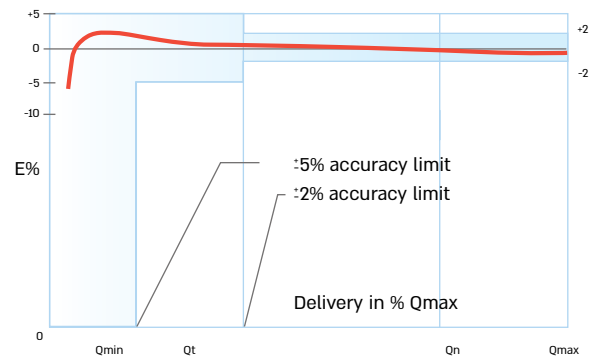
Model	PB	
Nominal size	(mm)	25
	(inch)	1
L - Length (mm)	150	
l - Length (mm)	90	
H - Height (mm)	150	
H1 - Height with reed switch (mm)	170	
h - Height (mm)	115	
B - Width (mm)	120	
Weight (kg)	0.875	



Head Loss Curve



Accuracy Curve



Installation Requirements

- The meter should be installed with dial face in horizontal position
- Specifications are subject to change without notice