

## Core<sup>TM</sup> E1 Electric Transfer Pump

3A8503E

EN

***For use with polyurethane foam, polyurea, and similar non-flammable materials. For use with Reactor<sup>®</sup> 3 Systems only. For professional use only.***

***Not approved for use in explosive atmospheres or hazardous (classified) locations.***

***This product is not compatible with GFCI outlets. Electric motor controllers can cause GFCI outlets to trip.***

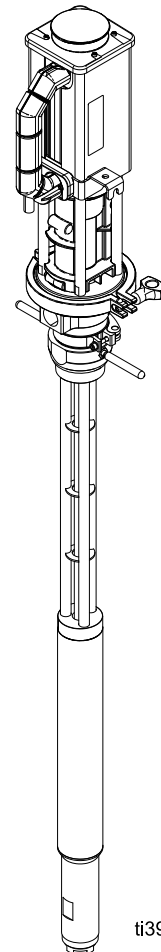
See page 3 for model information.

315 psi (2.17 MPa, 21.7 bar) Maximum Fluid Working Pressure



### **Important Safety Instructions**

Read all warnings and instructions in this manual before using the equipment.  
Save these instructions.



ti39831b

# Contents

<b>Related Manuals</b> .....	<b>2</b>	<b>Operation</b> .....	<b>15</b>
<b>Models</b> .....	<b>3</b>	Flush Before Using Equipment .....	15
Approvals .....	3	Pressure Relief Procedure .....	15
<b>Warnings</b> .....	<b>4</b>	Changing Material Drums .....	16
<b>Important Isocyanate (ISO) Information</b> .....	<b>6</b>	Using the Electric Motor .....	17
Isocyanate Conditions .....	6	Controlling the Pump .....	17
Material Self-Ignition .....	7	Daily Startup .....	18
Keep Components A and B Separate .....	7	Daily Shutdown .....	18
Moisture Sensitivity of Isocyanates .....	7	Pump Status LEDs .....	19
Foam Resins with 245 fa Blowing Agents .....	7	<b>Troubleshooting</b> .....	<b>20</b>
Changing Materials .....	7	<b>Maintenance</b> .....	<b>20</b>
<b>Typical Installation</b> .....	<b>8</b>	Monthly .....	20
Typical Installation without Circulation .....	8	Daily .....	20
Typical Installation with Circulation .....	9	<b>Repair</b> .....	<b>21</b>
Typical Pump and Transfer Pump Controller		Replace the Motor Cable .....	21
Installation .....	10	Replace the Encoder .....	23
Typical Multiple Pump Lowers Installation .....	11	Replace the Guide Cover .....	24
<b>Installation</b> .....	<b>12</b>	Replace the Ball Screw Assembly .....	25
Grounding .....	12	<b>Parts</b> .....	<b>27</b>
Install the Transfer Pump Controller (TPC) .....	12	Pump (26D004) .....	27
Pump Setup .....	14	Electric Motor (25T322, 26D009) .....	28
Install the Pump .....	14	Accessories .....	29
		<b>Electrical Connections</b> .....	<b>31</b>
		<b>Dimensions</b> .....	<b>32</b>
		<b>Recycling or Disposal</b> .....	<b>33</b>
		End of Product Life .....	33
		<b>California Proposition 65</b> .....	<b>33</b>
		<b>Technical Specifications</b> .....	<b>35</b>
		<b>Graco Extended Warranty for Reactor®</b>	
		<b>Components</b> .....	<b>36</b>

## Related Manuals

Manuals are available at [www.graco.com](http://www.graco.com).

Manual in English	Description
3A8500	Reactor 3 Proportioning Systems - Operation
3A8501	Reactor 3 Proportioning Systems - Repair and Parts
3A8598	ProConnect® CS Pump Lower - Parts
3A7683	Reactor 3 Proportioning Systems Heated Hose - Repair and Parts

# Models






Part	Description	TPC 19B841	Pump Lower Material	Fluid Supply Accessories		Air Supply Accessories		
				Swivel Fitting 157785	10 ft Fluid Hose 217382	15 ft. Air Hose, 1/4 npsm 210866	Nipple, 1/4 npt x 1/4 npsm 162453	Desiccant Dryer Kit 247616
26D000	Core E1 Transfer Pump Controller (TPC)	✓						
26D004	Core E1 Pump		Carbon Steel					
26D005	Two Core E1 Pumps with TPC	✓						
26D006	Two Core E1 Pumps with TPC and Fluid	✓		✓	✓			
26D277	Two Core E1 Pumps with TPC, Fluid, and Air	✓		✓	✓	✓	✓	✓

# Approvals


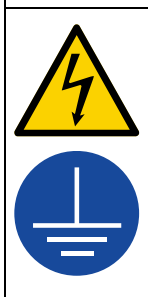


Part	Description	Approvals			
		CE	UK CA	ETL LISTED Intertek	UL
19B841	Core E1 Transfer Pump Controller (TPC)	✓	✓	✓	✓
26D004	Core E1 Pump	✓	✓		
26D009 and 25T322	E1 Motor	✓	✓		
273295	ProConnect CS Pump Lower, without bung adapter				

# Warnings

The following warnings are for the setup, use, grounding, maintenance, and repair of this equipment. The exclamation point symbol alerts you to a general warning and the hazard symbols refer to procedure-specific risks. When these symbols appear in the body of this manual or on warning labels, refer back to these Warnings. Product-specific hazard symbols and warnings not covered in this section may appear throughout the body of this manual where applicable.

 <h1 style="margin: 0;">WARNING</h1>	
	<p><b>TOXIC FLUID OR FUMES HAZARD</b></p> <p>Toxic fluids or fumes can cause serious injury or death if splashed in the eyes or on skin, inhaled or swallowed.</p> <ul style="list-style-type: none"> <li>• Read Safety Data Sheets (SDSs) for handling instructions and to know the specific hazards of the fluids you are using, including the effects of long-term exposure.</li> <li>• When spraying, servicing equipment, or when in the work area, always keep work area well-ventilated and always wear appropriate personal protective equipment. See <b>Personal Protective Equipment</b> warnings in this manual.</li> <li>• Store hazardous fluid in approved containers, and dispose of it according to applicable guidelines.</li> </ul>
	<p><b>PERSONAL PROTECTIVE EQUIPMENT</b></p> <p>Always wear appropriate personal protective equipment and cover all skin when spraying, servicing equipment, or when in the work area. Protective equipment helps prevent serious injury, including long-term exposure; inhalation of toxic fumes, mists or vapors; allergic reaction; burns; eye injury and hearing loss. This protective equipment includes but is not limited to:</p> <ul style="list-style-type: none"> <li>• A properly fitting respirator, which may include a supplied-air respirator, chemically impermeable gloves, protective clothing and foot coverings as recommended by the fluid manufacturer and local regulatory authority.</li> <li>• Protective eyewear and hearing protection.</li> </ul>
 	<p><b>EQUIPMENT MISUSE HAZARD</b></p> <p>Misuse can cause death or serious injury.</p> <ul style="list-style-type: none"> <li>• Do not operate the unit when fatigued or under the influence of drugs or alcohol.</li> <li>• Do not exceed the maximum working pressure or temperature rating of the lowest rated system component. See <b>Technical Specifications</b> in all equipment manuals.</li> <li>• Use fluids and solvents that are compatible with equipment wetted parts. See <b>Technical Specifications</b> in all equipment manuals. Read fluid and solvent manufacturer's warnings. For complete information about your material, request Safety Data Sheets (SDSs) from distributor or retailer.</li> <li>• Do not leave the work area while equipment is energized or under pressure.</li> <li>• Turn off all equipment and follow the <b>Pressure Relief Procedure</b> when equipment is not in use.</li> <li>• Check equipment daily. Repair or replace worn or damaged parts immediately with genuine manufacturer's replacement parts only.</li> <li>• Do not alter or modify equipment. Alterations or modifications may void agency approvals and create safety hazards.</li> <li>• Make sure all equipment is rated and approved for the environment in which you are using it.</li> <li>• Use equipment only for its intended purpose. Call your distributor for information.</li> <li>• Route hoses and cables away from traffic areas, sharp edges, moving parts, and hot surfaces.</li> <li>• Do not kink or over bend hoses or use hoses to pull equipment.</li> <li>• Keep children and animals away from work area.</li> <li>• Comply with all applicable safety regulations.</li> </ul>

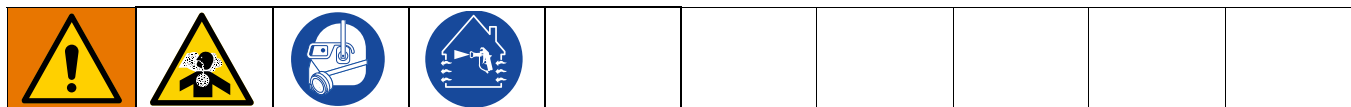
# ! WARNING

	<p><b>PRESSURIZED EQUIPMENT HAZARD</b></p> <p>Fluid from the equipment, leaks, or ruptured components can splash in the eyes or on skin and cause serious injury.</p> <ul style="list-style-type: none"> <li>• Follow the <b>Pressure Relief Procedure</b> when you stop spraying/dispensing and before cleaning, checking, or servicing equipment.</li> <li>• Tighten all fluid connections before operating the equipment.</li> <li>• Check hoses, tubes, and couplings daily. Replace worn or damaged parts immediately.</li> </ul>
	<p><b>ELECTRIC SHOCK HAZARD</b></p> <p>This equipment must be grounded. Improper grounding, setup, or usage of the system can cause electric shock.</p> <ul style="list-style-type: none"> <li>• Turn off and disconnect power at main switch before disconnecting any cables and before servicing or installing equipment.</li> <li>• Connect only to grounded power source.</li> <li>• All electrical wiring must be done by a qualified electrician and comply with all local codes and regulations.</li> </ul>
	<p><b>MOVING PARTS HAZARD</b></p> <p>Moving parts can pinch, cut or amputate fingers and other body parts.</p> <ul style="list-style-type: none"> <li>• Keep clear of moving parts.</li> <li>• Do not operate equipment with protective guards or covers removed.</li> <li>• Equipment can start without warning. Before checking, moving, or servicing equipment, follow the <b>Pressure Relief Procedure</b> and disconnect all power sources.</li> </ul>
	<p><b>BURN HAZARD</b></p> <p>Equipment surfaces and fluid that is heated can become very hot during operation. To avoid severe burns:</p> <ul style="list-style-type: none"> <li>• Do not touch hot fluid or equipment.</li> </ul>

# Important Isocyanate (ISO) Information

Isocyanates (ISO) are catalysts used in two component materials.

## Isocyanate Conditions





Spraying or dispensing fluids that contain isocyanates creates potentially harmful mists, vapors, and atomized particulates.




- Read and understand the fluid manufacturer’s warnings and Safety Data Sheets (SDSs) to know specific hazards and precautions related to isocyanates.
- Use of isocyanates involves potentially hazardous procedures. Do not spray with this equipment unless you are trained, qualified, and have read and understood the information in this manual and in the fluid manufacturer’s application instructions and SDSs.
- Use of incorrectly maintained or mis-adjusted equipment may result in improperly cured material, which could cause off gassing and offensive odors. Equipment must be carefully maintained and adjusted according to instructions in the manual.
- To prevent inhalation of isocyanate mists, vapors and atomized particulates, everyone in the work area must wear appropriate respiratory protection. Always wear a properly fitting respirator, which may include a supplied-air respirator. Ventilate the work area according to instructions in the fluid manufacturer’s SDSs.
- Avoid all skin contact with isocyanates. Everyone in the work area must wear chemically impermeable gloves, protective clothing and foot coverings as recommended by the fluid manufacturer and local regulatory authority. Follow all fluid manufacturer recommendations, including those regarding handling of contaminated clothing. After spraying, wash hands and face before eating or drinking.
- Hazard from exposure to isocyanates continues after spraying. Anyone without appropriate personal protective equipment must stay out of the work area during application and after application for the time period specified by the fluid manufacturer. Generally this time period is at least 24 hours.
- Warn others who may enter work area of hazard from exposure to isocyanates. Follow the recommendations of the fluid manufacturer and local regulatory authority. Posting a placard such as the following outside the work area is recommended:



## Material Self-Ignition

				
Some materials may become self-igniting if applied too thick. Read material manufacturer's warnings and Safety Data Sheets (SDSs).				

## Keep Components A and B Separate

				
Cross-contamination can result in cured material in fluid lines which could cause serious injury or damage equipment. To prevent cross-contamination:				
<ul style="list-style-type: none"> <li>• <b>Never</b> interchange component A and component B wetted parts.</li> <li>• Never use solvent on one side if it has been contaminated from the other side.</li> </ul>				

## Moisture Sensitivity of Isocyanates

Exposure to moisture (such as humidity) will cause ISO to partially cure, forming small, hard, abrasive crystals that become suspended in the fluid. Eventually a film will form on the surface and the ISO will begin to gel, increasing in viscosity.

NOTICE				
Partially cured ISO will reduce performance and the life of all wetted parts.				
<ul style="list-style-type: none"> <li>• Always use a sealed container with a desiccant dryer in the vent, or a nitrogen atmosphere. <b>Never</b> store ISO in an open container.</li> <li>• Use only moisture-proof hoses compatible with ISO.</li> <li>• Never use reclaimed solvents, which may contain moisture. Always keep solvent containers closed when not in use.</li> <li>• Always lubricate threaded parts with an appropriate lubricant when reassembling.</li> </ul>				

**NOTE:** The amount of film formation and rate of crystallization varies depending on the blend of ISO, the humidity, and the temperature.

## Foam Resins with 245 fa Blowing Agents

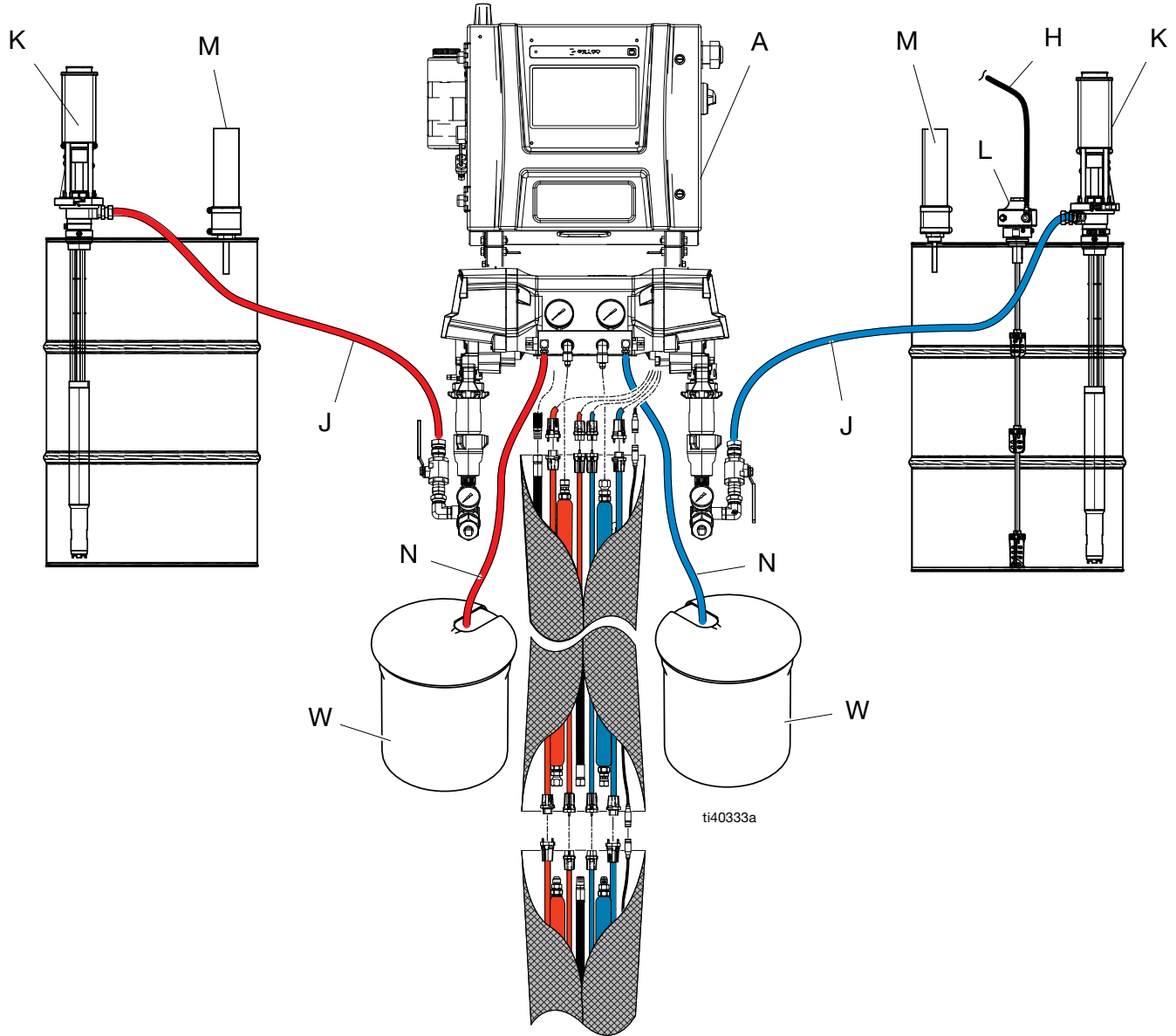
Some foam blowing agents will froth at temperatures above 90 °F (33 °C) when not under pressure, especially if agitated. To reduce frothing, minimize preheating in a circulation system.

## Changing Materials

NOTICE				
Changing the material types used in your equipment requires special attention to avoid equipment damage and downtime.				
<ul style="list-style-type: none"> <li>• When changing materials, flush the equipment multiple times to ensure it is thoroughly clean.</li> <li>• Check with your material manufacturer for chemical compatibility.</li> <li>• When changing between epoxies and urethanes or polyureas, disassemble and clean all fluid components and change hoses. Epoxies often have amines on the B (hardener) side. Polyureas often have amines on the B (resin) side.</li> </ul>				

# Typical Installation

## Typical Installation without Circulation



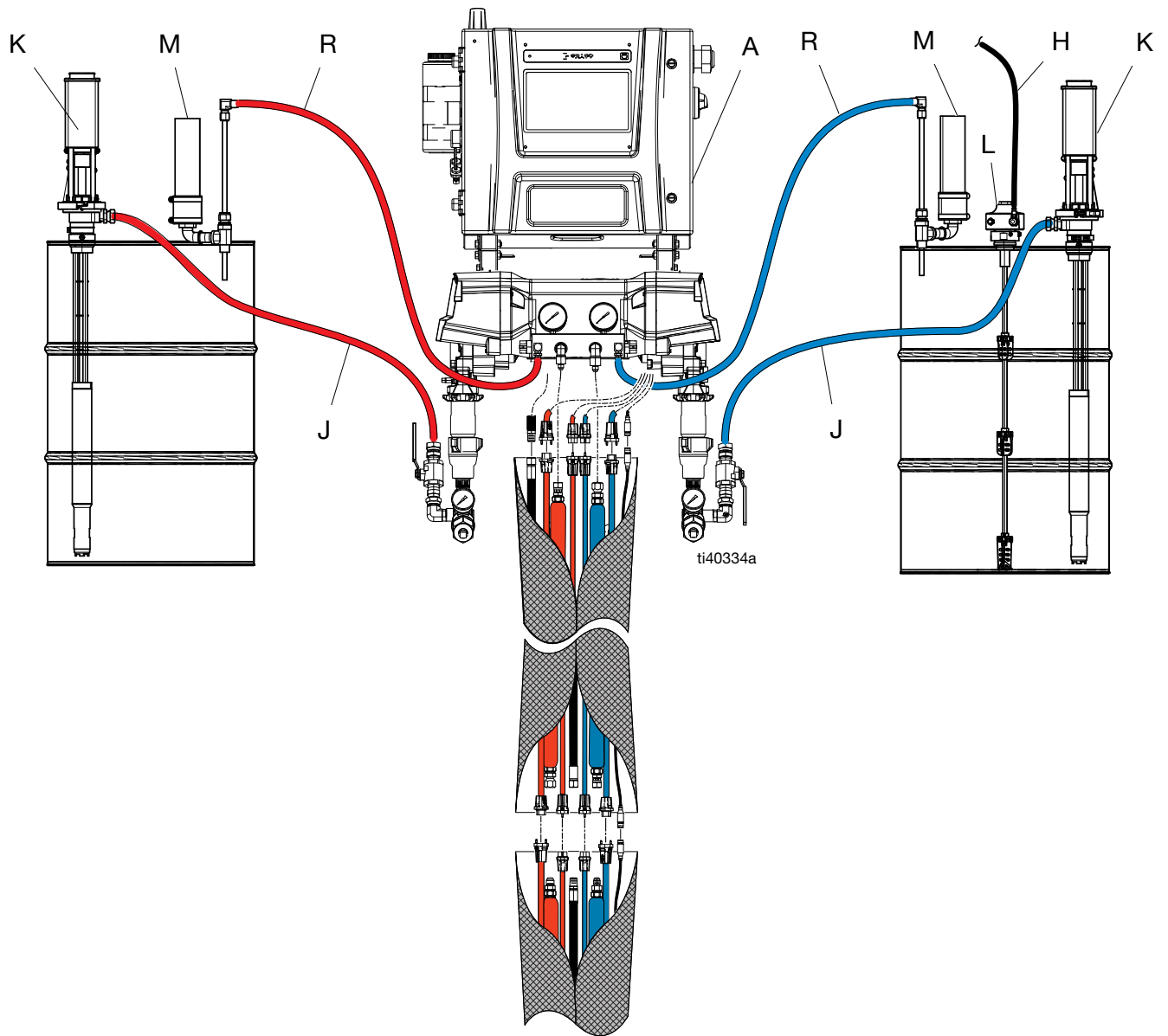
**FIG. 1: Typical Installation without Circulation**

**NOTE:** See page 10 for required components.

Ref.	Description
A	Proportioner
H	Agitator Air Supply Line
J	Fluid Supply Lines
K	Transfer Pumps (other items purchased separately)
L	Agitator
M	Desiccant Dryer
N	Bleed Lines
W	Waste Containers



## Typical Installation with Circulation

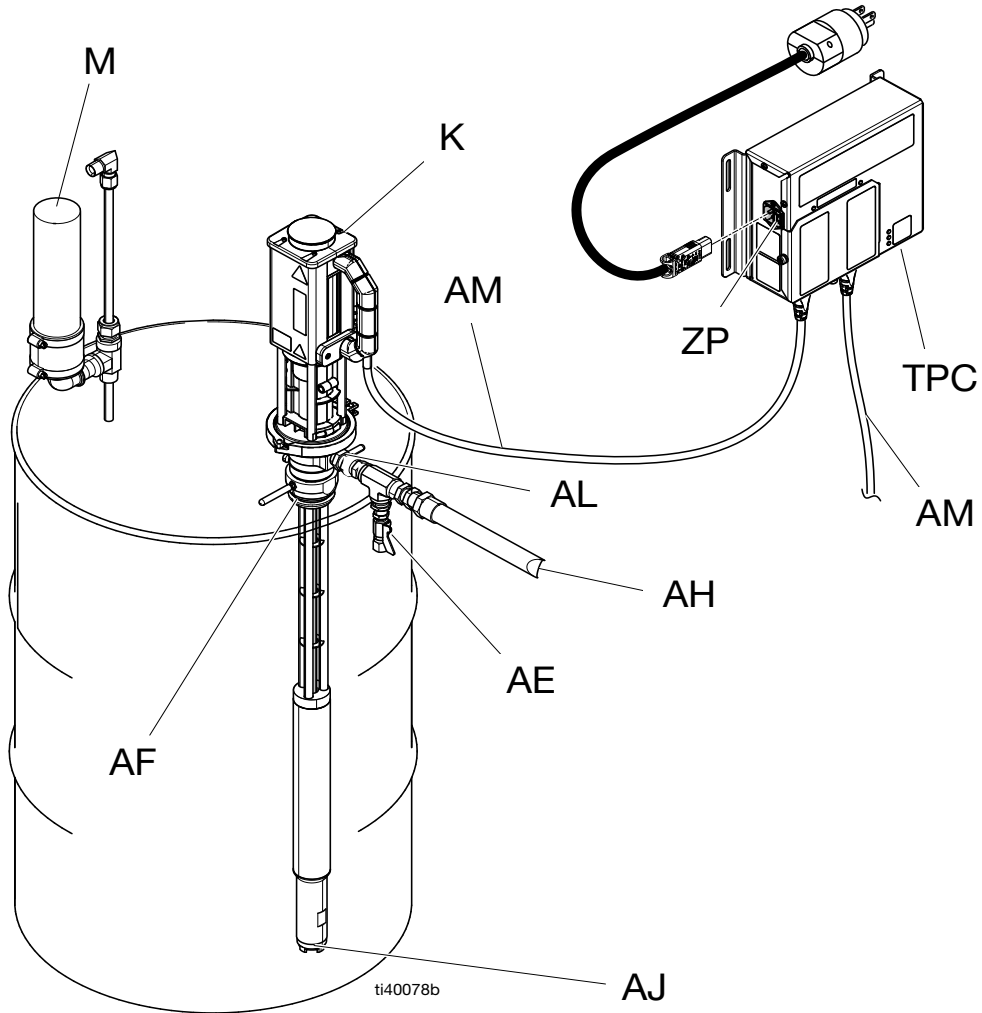


**FIG. 2: Typical Installation with Circulation**

Ref.	Description
A	Proportioner
H	Agitator Air Supply Line
J	Fluid Supply Lines
K	Transfer Pumps (other items purchased separately)
L	Agitator
M	Desiccant Dryer
R	Circulation Lines

**NOTE:** See page 10 for required components.

## Typical Pump and Transfer Pump Controller Installation



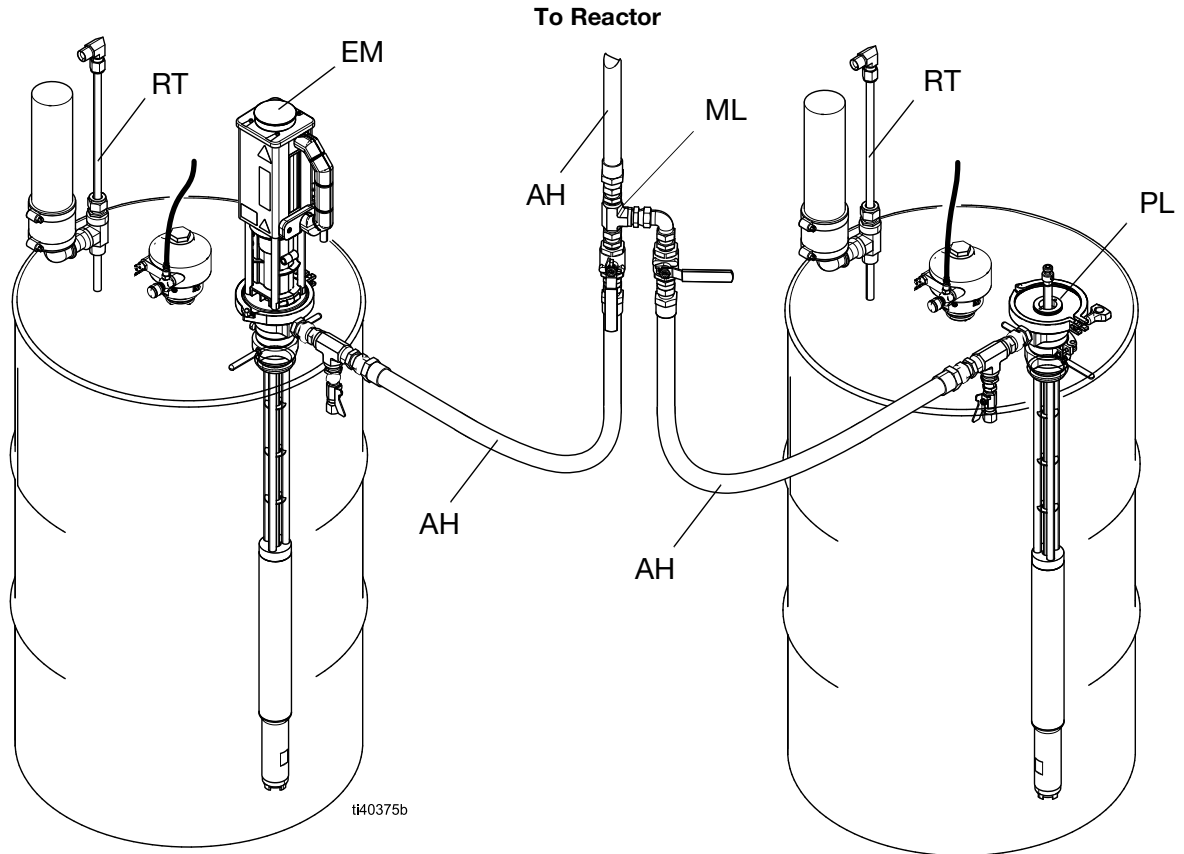
**FIG. 3: Typical Pump and Transfer Pump Controller Installation**

Ref.	Description
K	Transfer Pump
M*	Desiccant Dryer
AE*	Fluid Drain Valve (required)
AF	Bung Adapter
AH*	Grounded Fluid Hose
AJ	Pump Fluid Inlet
AL	Pump Fluid Outlet, 3/4 npt(f)
AM	Electric Motor Cable
TPC	Transfer Pump Controller
ZP	Power Switch

\* Sold Separately

## Typical Multiple Pump Lowers Installation

**NOTE:** Material drums used are either two A side material drums, or two B side material drums.






**FIG. 4: Typical Multiple Pump Lowers Installation**

Ref.	Description
RT	Return Tube Kit (not included)
ML	Multiple Pump Lower Fluid Kit (not included)
AH	Grounded Fluid Hose (not included)
EM	E1 Motor
PL	ProConnect Pump Lower

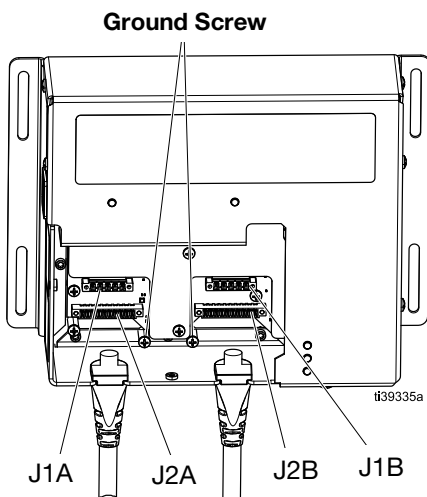
# Installation

## Grounding

				
<p>The equipment must be grounded to reduce the risk of static sparking. Static sparking can cause fumes to ignite or explode. Grounding provides an escape wire for the electric current.</p>				

**Transfer Pump Controller:** Grounded through the power cord.

**Transfer Pump:** Grounded through the Transfer Pump Controller. Follow **Connect Electric Motor Cables to the TPC**.



### The following items are sold separately:



**Fluid hoses:** Use only electrically conductive hoses with a maximum of 300 ft (91 m) combined hose length to ensure grounding continuity. Check electrical resistance of hoses. If total resistance to ground exceeds 29 megohms, replace the hose immediately.

**Fluid supply container:** Follow local code.

**Solvent pails used when flushing:** Follow local code. Use only conductive metal pails, placed on a grounded surface. Do not place the pail on a non-conductive surface, such as paper or cardboard, which interrupts grounding continuity.

**To maintain grounding continuity when flushing or relieving pressure:** Hold metal part of the spray gun firmly to the side of a grounded metal pail, then trigger the gun.

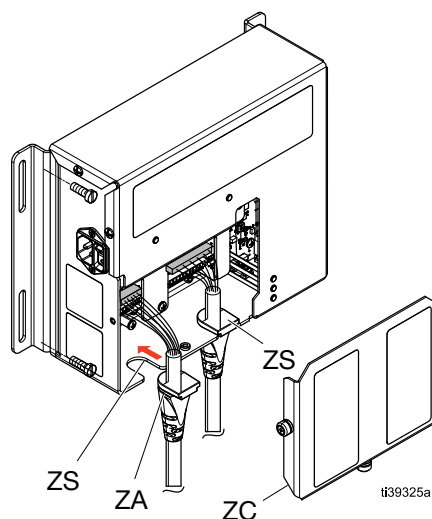
## Install the Transfer Pump Controller (TPC)

				
<p>All electrical wiring must be done by a qualified electrician and comply with all local codes and regulations.</p> <p>Switch off power and unplug the TPC. Wait five minutes for power to dissipate before servicing.</p>				

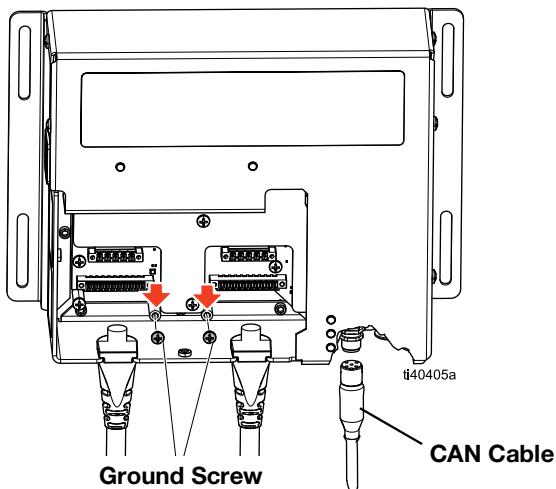
### Connect Electric Motor Cables to the TPC

**NOTE:** Refer to your Reactor 3 manual for proportioner component identification.

1. Loosen captive fasteners and remove TPC cover (ZC).

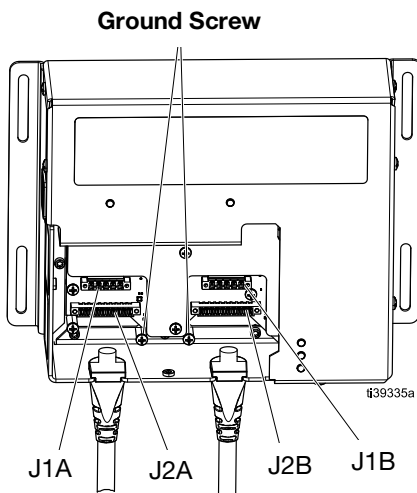


- Remove the ground screws (green) from the grounding standoffs.



- Use ground screws to install the ground ring terminal onto the ground standoffs for each cable.
- Slide the strain relief (ZA, ZB) into the TPC enclosure slots (ZS).
- Plug in the connectors (J1A, J2A, J1B, J2B) and tighten connector screws.

**NOTE:** The A-side connectors (J1A, J2A) are on the left. The B-side connectors (J1B, J2B) are on the right.



- Reinstall the TPC cover (ZC).

## Connect the CAN Cable to the TPC

**NOTE:** The CAN cable allows the TPC to communicate with the Reactor and provides low voltage power to the TPC. It does not provide power to run the electric motor.

- Connect the CAN cable to the TPC.
- Connect the other end of the CAN cable to the open CAN communication connection on the electric motor control module (MCM). See the Component Identification section in your Reactor 3 operation manual.

## Connect Power to the TPC

### TPC Power

100-120 Vac, 8 A, 50/60 Hz

200-240 Vac, 4A, 50/60 Hz

**NOTE:** This product is not compatible with GFCI outlets. Electric motor controllers can cause GFCI outlets to trip.

Utilize the included field wireable IEC320 C13 plug, or a cable with a C13 plug to provide power to the TPC.

Part	Description
121055	CORD, SET, US MX, PR, CA, TW, 115V, 10A
121054	CORD, SET, US, 250V, 10A, 10 FT
121056	CORD, SET, FR, GER, IS, NL, NO, TR, 250V
121057	CORD, SET, UK, IE, MY, SG, 250V, 10A
121058	CORD, SET, ISRAEL, 250V, 10A
124864	CORD, SET, ADPTR, AUSTRALIA, 8 FT
124861	CORD, SET, ADPTR, ITALY, 8 FT
124863	CORD, SET, ADPTR, SWITZERLAND, 8 FT
124862	CORD, SET, ADPTR, DENMARK, 8 FT
121060	CORD, SET, S AFRICA, INDIA, 250V, 16A

When installed in a truck or trailer, ground the TPC to the frame of the truck or trailer.

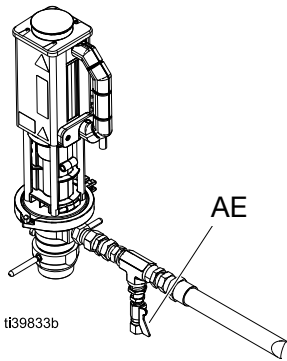
## Pump Setup



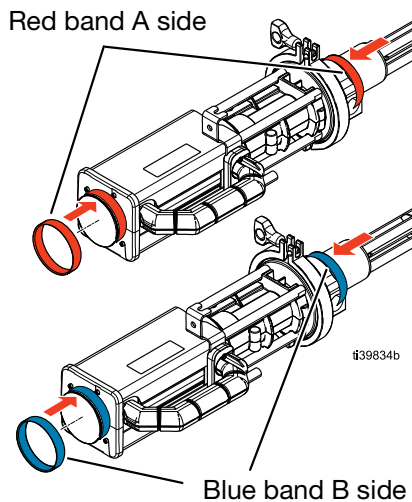
A fluid drain valve (AE) is required in your system to help reduce the risk of serious injury, including splashing fluid in the eyes or on the skin, and injury from moving parts when you are adjusting or repairing the pump.

The fluid drain valve (AE) helps relieve pressure in the displacement pump, hose, and gun when shutting off the pump. Actuating the gun to relieve pressure may not be sufficient, especially if there is a clog in the hose or the spray gun.

1. Apply thread sealant to all non-swivel connections and install the outlet fitting (not supplied) and required fluid drain valve (AE) to the pump outlet.



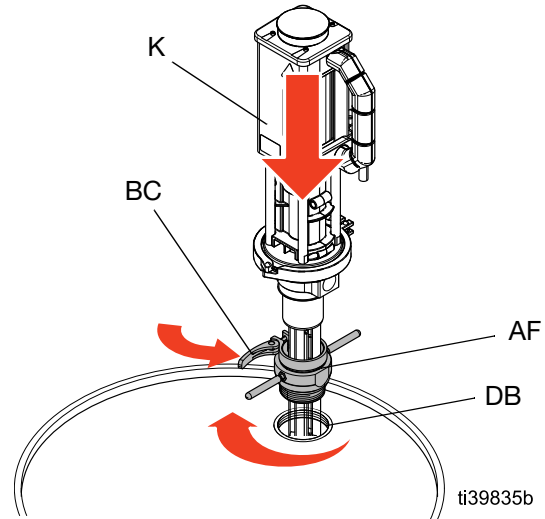
2. Use the colored pump identification bands provided to identify the appropriate pump for your material.



**NOTE:** Use the provided labels to identify the ends of the motor cables as A side and B side.

## Install the Pump

1. Lubricate the o-ring on the outside of the bung adapter (AF) and screw the bung adapter securely into the bunghole (DB) of the drum.



2. Insert the pump (K) through the bung adapter (AF) and lock the bung adapter clamp (BC) into place.

# Operation

NOTICE
Do not operate if the pump lower and electric motor are not properly coupled together or without the clamp installed and tightened. Damage to the equipment could occur.

## Flush Before Using Equipment



To avoid fire and explosion, always ground equipment and waste container. To avoid static sparking and injury from splashing, always flush at the lowest possible pressure.

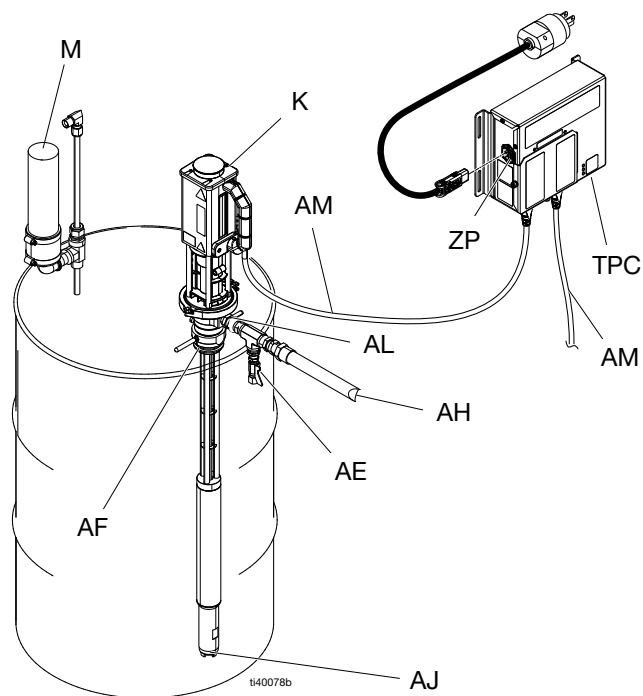
The equipment was tested with lightweight oil, which is left in the fluid passages to protect parts. To avoid contaminating your fluid with oil, flush the equipment with a compatible solvent before using the equipment. Flush the equipment. See your Reactor 3 operation manual.

## Pressure Relief Procedure



This equipment stays pressurized until pressure is manually relieved. To help prevent serious injury from pressurized fluid, such as skin injection, splashing fluid and moving parts, follow the Pressure Relief Procedure when you stop spraying and before cleaning, checking, or servicing the equipment.

1. Follow the **Pressure Relief Procedure** in your Reactor 3 operation manual to relieve system pressure.
2. Turn the TPC power switch (ZP) to OFF.



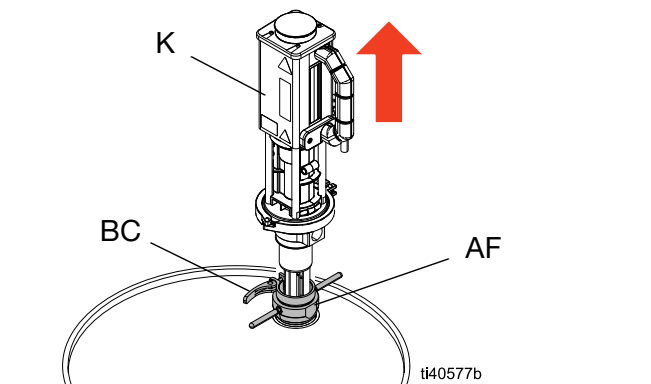
3. Open the fluid drain valve (AE).

## Changing Material Drums

**NOTE:** If the height of your ceiling or trailer prohibits removal of the pump, remove the electric motor before swapping out material drums.

### Remove the Pump

1. Follow the **Pressure Relief Procedure** on page 15.
2. Loosen the bung adapter clamp (BC).
3. Carefully lift the pump (K) up and out of the bung adapter (AF) and completely remove it from the drum.

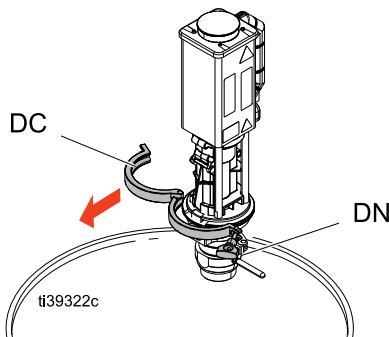


<p>Never use the power cord to lift or adjust the pump. Lifting or adjusting the pump with the power cord can damage it and cause injury from electric shock.</p>				

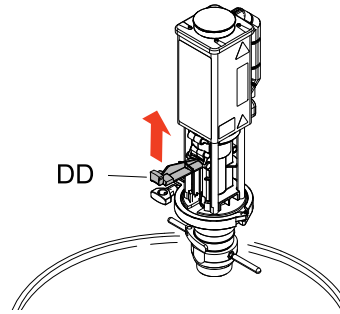
**NOTE:** To reinstall the pump, see **Install the Pump** on page 14.

### Remove the Electric Motor

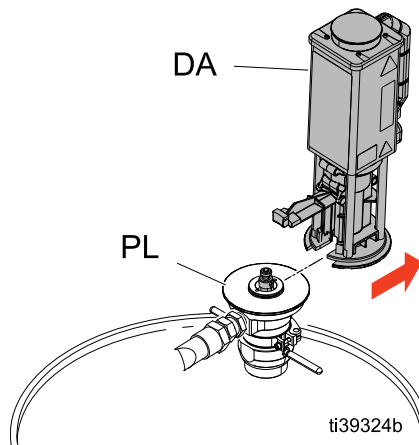
1. Follow the **Pressure Relief Procedure** on page 15.
2. Loosen the clamp nut (DN) on the pump clamp (DC), then remove the clamp.



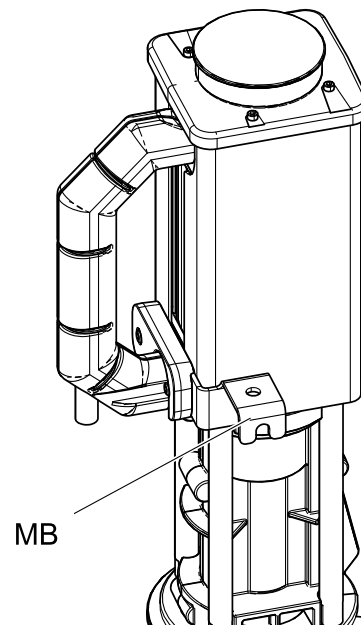
3. Open the electric motor access door (DD).



4. Slide the electric motor away from the pump and remove the electric motor (DA).



**NOTE:** Use the mounting bracket (MB) to hang the electric motor in a secure location when not in use.





### Install the Electric Motor

<p>Never use the power cord to lift or adjust the pump. Lifting or adjusting the pump with the power cord can damage it and cause injury from electric shock.</p>				

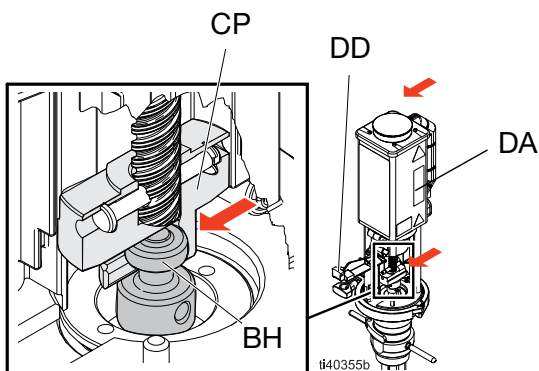
1. Follow the **Pressure Relief Procedure** on page 15.
2. Disconnect power to the TPC.

<p>Switch off power and unplug the TPC. Wait five minutes for power to dissipate before servicing.</p>				

3. If the pump has not been parked, pull the pump lower rod up so that it can be coupled to the electric motor.

**NOTE:** Parking the pump increases seal life on the proportioner pump and increases the ease of aligning the ProConnect features on the transfer pump. The pump will automatically park at the bottom of the stroke when the Reactor 3 is in Park mode.

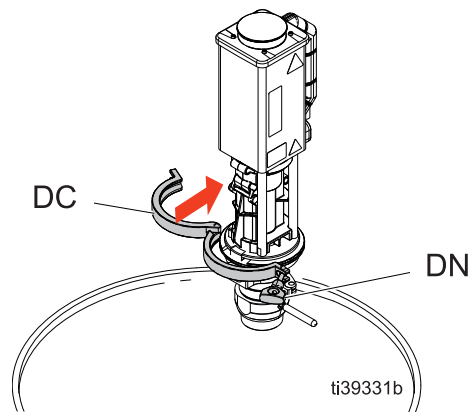
4. Open the electric motor access door (DD).
5. Align the notch of the electric motor coupler (CP) with the button head (BH) of the pump lower.



6. Simultaneously slide the electric motor coupler (CP) onto the button head of the pump lower and the electric motor onto the pump lower. Close the electric motor access door (DD).

<p>Always keep the electric motor access door (DD) closed and secured with the clamp to prevent injury from moving parts.</p>				

7. Install the pump clamp (DC). Use a screwdriver or rod to tighten the clamp nut (DN) 1/2 turn past finger tight.



### Using the Electric Motor

A new electric motor needs to be calibrated when connected to a Transfer Pump Controller (or if the connections are swapped at the TPC). To calibrate the pump, see your Reactor 3 operation manual.

Upon each power-on cycle the electric motor will run slowly for the first several strokes until the end stops are established.

The TPC will proactively change pump direction in order to minimize the number of times the pump needs to switch direction when pumping. The pumps may not necessarily change direction at the absolute top and bottom of the stroke.

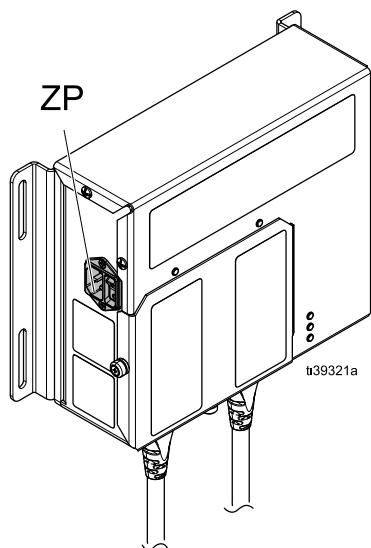
**NOTE:** Electric motors do not need pressure transducers to operate, but can offer additional features when used with a Reactor 3 system that has inlet pressure transducers.

### Controlling the Pump

The pressure and speed for this pump are controlled through the Reactor proportioner. See your Reactor 3 operation manual for additional instructions.

## Daily Startup

1. Turn the TPC power switch (ZP) to ON.



2. Follow the **Startup** procedure in your Reactor 3 operation manual.

## Daily Shutdown

1. Follow the **Shutdown** procedure in your Reactor 3 operation manual.
2. Turn the TPC power switch (ZP) to OFF.

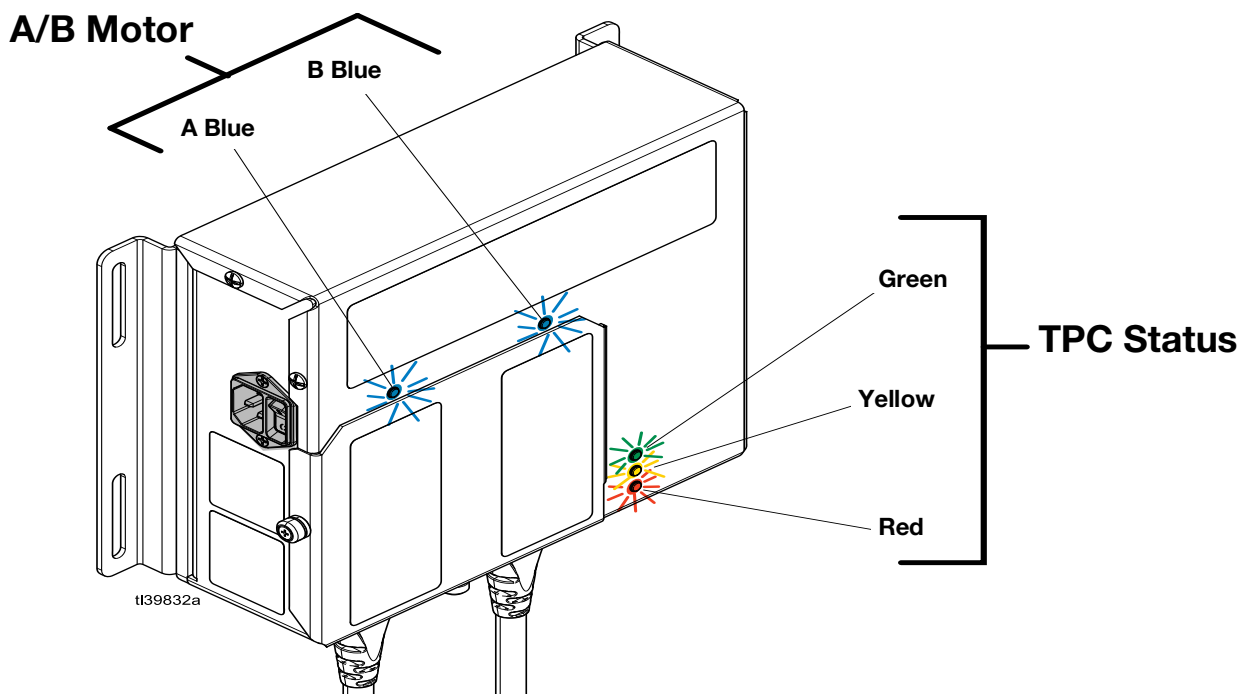
### NOTICE

Never allow the pump to run dry of the fluid being pumped. A dry pump will quickly accelerate to a high speed and could cause damage to the pump. If the pump accelerates quickly or starts running too fast, stop it immediately and check the fluid supply. If the supply container is empty or air has been pumped into the lines, refill the container and prime the pump and the lines with fluid, or flush and leave it filled with a compatible solvent. Be sure to eliminate all air from the fluid system.

Do not attempt to operate unless it is securely mounted in a drum.

## Pump Status LEDs

The Transfer Pump Controller (TPC) uses five LEDs to communicate the current status of the pumps and TPC. The two LEDs on the top relate to the electric motor status (A on the left, B in the center). The three LEDs on the bottom right are the TPC status LEDs.



### LED Status Definitions

LED	Conditions	Description
<b>A/B Electric Motor Status LEDs</b> <b>NOTE:</b> The A/B electric motor status LEDs may remain lit for up to one minute after the power switch (ZP) is turned off.	Off	No AC Power Detected
	Red and Blue	Startup
	Purple	Idle
	Blue	On: • 1 flash for top changeover • 2 flashes for bottom changeover
	Red	Error
<b>TPC Status</b>	Green Solid	Low voltage power applied to module
	Yellow Flashing	Active communication
	Red Steady Flashing	Software update in progress
	Red Random Flashing or Solid	Module error exists

# Troubleshooting



1. Follow **Pressure Relief Procedure**, page 15, before checking or repairing pump.
2. Check all possible problems and causes before disassembling pump.

Problem	Cause	Solution
The pump fails to operate	Clogged fluid hose or valve	Clear the hose or valves.
The pump operates, but the output is low on both strokes	Clogged fluid hose or valve	Clear the hose or valves.
	Exhausted fluid supply	Refill the fluid supply and reprime the pump.
	Worn or damaged valves or seals	Service the valves or seals.
The pump operates, but the output is low on the down stroke	Held open or worn intake valve	Clear or service the valve.
	Worn or damaged valves or seals	Service the valves or seals.
The pump operates, but the output is low on the upstroke	Held open or worn piston valve	Clear or service the valve.
	Worn or damaged valves or seals	Service the valves or seals.
Erratic or accelerated operation	Exhausted fluid supply	Refill the fluid supply and reprime the pump.
Pump slowly moves after fluid shutoff in the down stroke	Clogged or dirty intake valve check ball	Clean ball and seat.
	Worn or damaged valves or seats	Install repair kit.
Pump moves slowly after fluid shutoff in the upstroke	Clogged or dirty piston ball or seat	Clean ball and seat.
	Worn or damaged valves or seats	Install repair kit.

**NOTE:** For additional troubleshooting information, go to [help.graco.com](http://help.graco.com) and search for E1 Transfer Pumps.

## Maintenance

### Monthly

Electrical connections can loosen over time due to transporting equipment and normal operation. Periodically check all electrical connections and tighten as needed.

### Daily

Check the clamp nut (DN) on a daily basis and tighten if necessary.

# Repair

## Replace the Motor Cable

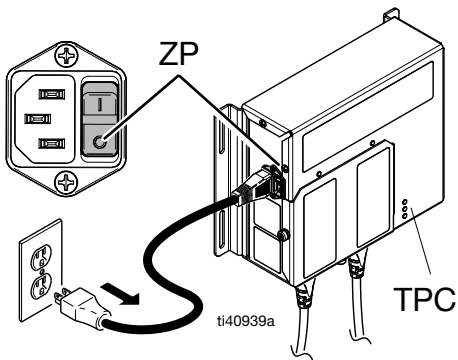
### Required Tools

- 2.5 mm Allen wrench
- 3.0 mm Allen wrench
- No. 2 Philips screwdriver
- 1/8 in. or 3 mm slotted screwdriver
- 1/4 in. or 6 mm slotted screwdriver
- Torque wrench capable of 30 in-lb (3.4 N•m) of torque

### De-energize the System



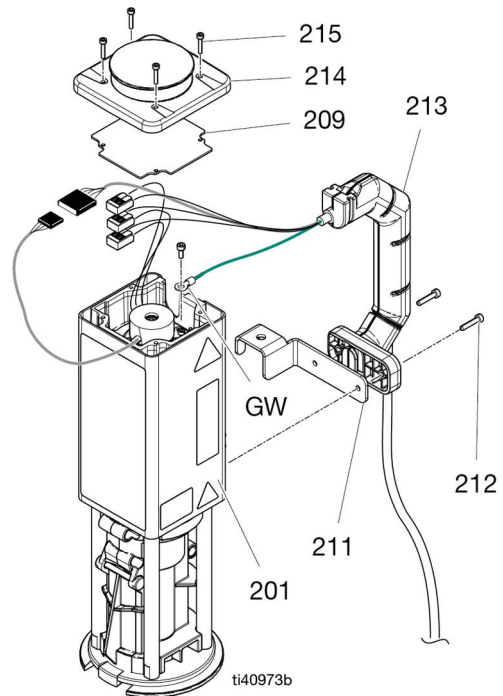
1. Follow the Shutdown procedure in your Reactor 3 operation manual.
2. Turn the TPC switch (ZP) to OFF and unplug the power cord



3. Wait five minutes for power to dissipate prior to servicing.

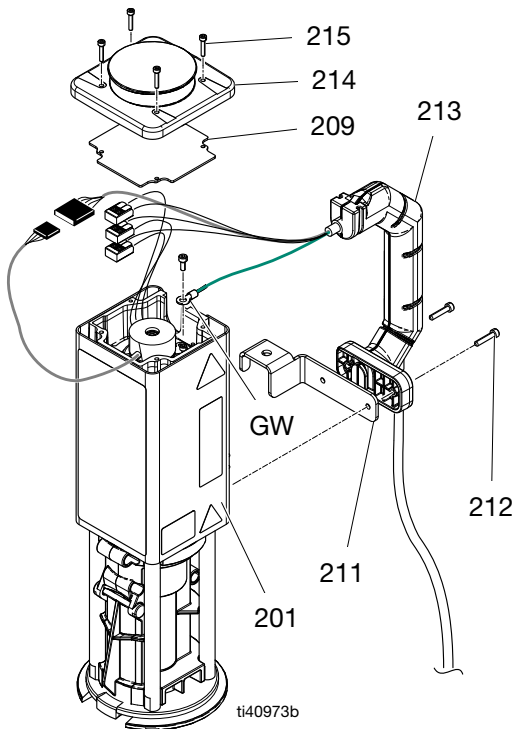
## Motor End Disassembly

1. Use a 2.5 mm Allen wrench to remove the four screws (215) from the top of the motor (201).
2. Remove plastic cover (214) and metal cable support (209).
3. Use a 2.5 mm Allen wrench to remove the fastener connecting the ground wire (GW) to the motor housing.
4. Disconnect the 8-pin encoder connector from the 8-pin connector on the motor cable.
5. Disconnect the three motor wires from the three wires of the motor cable.
6. Use a 3.0 mm Allen wrench to remove the two screws (212) from handle (213).
7. Lift the handle (213) out of the groove in the motor housing.



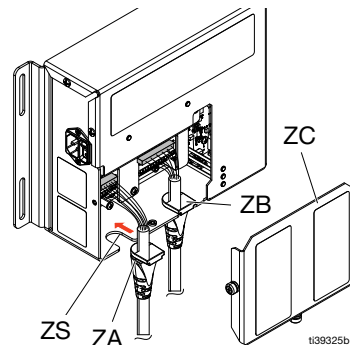
## Motor End Reassembly

1. Install the handle (213) into the groove in the motor housing.
2. install the mounting bracket (211) into handle (213), between the handle and the motor (201).
3. Use a 3.0 mm Allen wrench to install the two screws (212) into handle (213) and torque to 20-25 in-lb (2.3-2.8 N•m).
4. Install the fastener through the ring terminal of the ground wire (GW) on the motor cable. Use a 2.5 mm Allen wrench to connect the wire to the motor housing.
5. Connect the 8-pin encoder connector to the 8-pin connector on the motor cable.
6. Connect any three motor wires to any three wires on the motor cable (color matching of wires not required).
7. Install the metal cable support plate (209) and plastic cover (214).
8. Use a 2.5 mm Allen wrench to install the four screws (215) into the top of the motor and torque them to 20-25 in-lb (2.3-2.8 N•m).



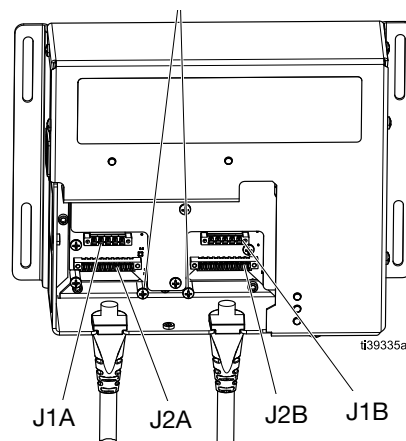
## TPC End Disassembly

1. Use a No. 2 Phillips screwdriver to loosen captive fasteners and remove the TPC access cover (ZC).



2. Use a 1/4 in. or 6 mm slotted screwdriver to remove the fastener (green) of the ground wire on the cable being replaced.

### Ground Screw



3. Use a 1/8 in. or 3 mm slotted screwdriver to loosen the screws on both connectors (J1A/J2A or J1B/J2B) of the cable being replaced.
4. Unplug both connectors (J1A/J2A or J1B/J2B) from the board of the TPC.
5. Lift the motor cable strain relief (ZA or ZB) out of the groove (ZS) in the TPC.

## TPC End Reassembly

1. Follow the **Install the Transfer Pump Controller (TPC)** procedure on page 12.

## Calibration

After replacing the motor cable, the pump must be calibrated. See your Reactor 3 operation manual for the calibration procedure.

## Replace the Encoder

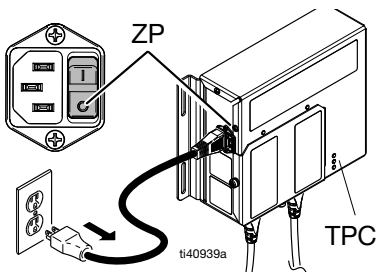
### Required Tools

- 2.5 mm and 3/16 in. Allen wrench
- Torque wrench capable of 30 in-lb (3.4 N•m)
- Medium strength thread locking compound

### De-energize the System



1. Follow the shutdown procedure in your Reactor 3 operation manual.
2. Turn the TPC switch (ZP) to OFF and unplug the power cord.



3. Wait five minutes for power to dissipate before servicing.

### Encoder Disassembly

1. Use a 2.5 mm Allen wrench to remove the four screws (215) from the top of the motor (201).
2. Remove the plastic cover (214) and metal cable support plate (209).
3. Disconnect 8-pin encoder connector from the 8-pin connector on the motor cable.
4. Use a 2.5 mm Allen wrench to remove two encoder mounting fasteners.
5. Use a 3/16 in. Allen wrench to remove the encoder (216) from the motor shaft.

**NOTE:** The fastener may rotate several times as the motor ball screw moves towards the end of its travel prior to the fastener loosening.

#### NOTICE

Do not use the ball end of an Allen wrench to remove the encoder. Damage could occur.

### Encoder Reassembly

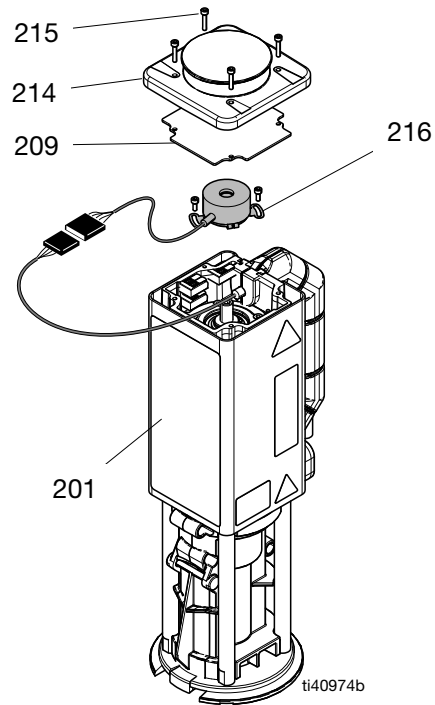
1. Add a drop of medium strength thread locking compound to the threads of the encoder (216) stem.
2. Use a 3/16 in. Allen wrench to install the encoder (216) into the motor shaft and torque to 20-25 in-lb (2.3-2.8 N•m).

**NOTE:** The fastener may rotate several times as the motor ball screw moves towards the end of its travel prior to the fastener tightening.

3. Use a 2.5 mm Allen wrench to install two encoder mounting screws. Torque to 10-15 in-lb (1.1-1.7 N•m).

**NOTE:** The encoder (216) does not require specific mounting orientation.

4. Connect the 8-pin encoder connector to the 8-pin connector on the motor cable.
5. Install the metal cable support plate (209) and plastic cover (214).
6. Use a 2.5 mm Allen wrench to install the four screws (215) into the top of the motor (201) and torque them to 20-25 in-lb (2.3-2.8 N•m).



### Calibration

After replacing the encoder, the pump must be calibrated. See your Reactor 3 operation manual for the calibration procedure.

## Replace the Guide Cover

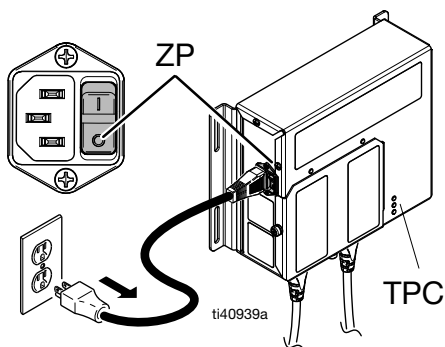
### Required Tools

- 3/16 in. Allen wrench
- Torque wrench capable of 125 in-lb (14.1 N•m) of torque
- Synthetic grease with Syncon (PTFE)
- Medium strength thread locking compound
- Rubber Mallet

### De-energize the System



1. Follow the **Pressure Relief Procedure** on page 15.
2. Follow the Shutdown procedure in your Reactor 3 operation manual.
3. Turn the TPC switch (ZP) to OFF and unplug the power cord.



4. Wait five minutes for power to dissipate prior to servicing.

### Guide Cover Disassembly

1. Follow **Remove the Electric Motor** on page 16.
2. Use a 3/16 in. Allen wrench to remove the four fasteners (207) from the bottom of the mounting clamp ring (206).
3. Remove the mounting clamp ring (206) from the tie rods (203).
4. Slide the guide cover (208) out of the tie rods.

**NOTE:** The guide cover may need to be tapped out with a rubber mallet.

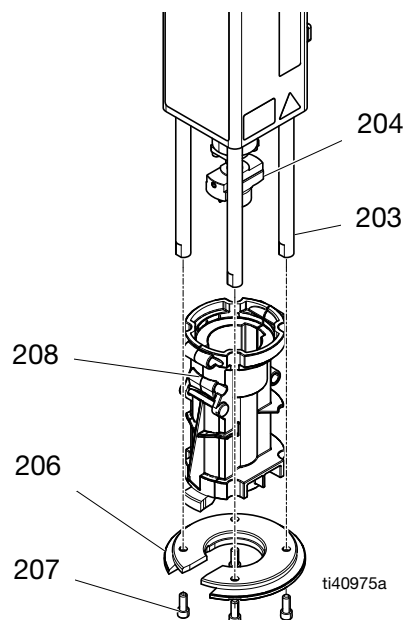
### Guide Cover Reassembly

1. Apply synthetic grease with Syncon (PTFE) to internal flat surfaces of the new guide cover (208).
2. Manually rotate the ball screw (204) until the coupler reaches the midpoint of the tie rods (203) and orient the ProConnect notch of the coupler so it is facing the side opposite the motor cable.
3. Install the guide cover (208) into the tie rods (203) and over the ball screw (204) coupler. Make sure the guide cover access door is facing the same direction as the ProConnect notch of the ball screw coupler.

**NOTE:** The guide cover may need to be tapped into place with a rubber mallet.

4. Install the mounting clamp ring (206) onto the tie rods (203) and guide cover (208).
- NOTE:** The notch in the mounting clamp ring (206) aligns with the tab on the guide cover (208) access door.

5. Put a drop of medium strength thread locking compound onto the threads of each of the four fasteners (207). Use a 3/16 in. Allen wrench to install fasteners through the mounting clamp ring (206) and into the tie rods (203), then torque to 110-120 in-lb (12.4-13.6 N•m).





# Replace the Ball Screw Assembly

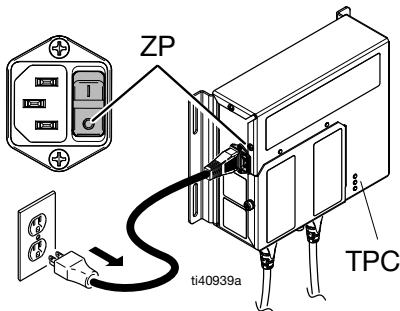
## Required Tools

- 3/16 in. Allen wrench
- 3 mm Allen wrench
- 24 mm open end wrench
- 7/16 in. open end wrench
- Torque wrench capable of 25-125 in-lb (2.8-14.1 N•m) of torque
- Synthetic grease with Syncolon (PTFE)
- Medium strength thread locking compound
- Rubber mallet

## De-energize the System



1. Follow the **Pressure Relief Procedure** on page 15.
2. Follow the Shutdown procedure in your Reactor 3 operation manual.
3. Turn the TPC switch (ZP) to OFF and unplug the power cord.



4. Wait five minutes for power to dissipate prior to servicing.

## Ball Screw Disassembly

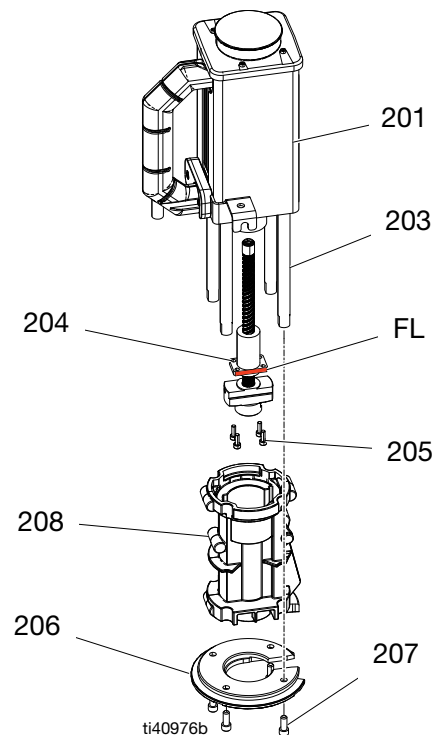
1. Follow **Remove the Electric Motor** on page 16.
2. Use a 3/16 in. Allen wrench to remove four fasteners (207) from the bottom of the mounting clamp ring (206).
3. Remove the mounting clamp ring (206) from the tie rods (203).
4. Slide the guide cover (208) out of the tie rods (203).  
**NOTE:** The cover may need to be tapped out with a rubber mallet.
5. Place the open end of a 24 mm wrench on the flats (FL) of the ball screw assembly (204) to prevent rotation and use a 3 mm Allen wrench to remove four fasteners (205) that secure the ball screw to the motor (201).

**NOTE:** Use the open end of a 7/16 in. wrench to remove a tie rod (203) if additional clearance is needed to gain access to the flats (FL) of the ball screw assembly (204).

**NOTICE**

Do not use the ball end of an Allen wrench to remove the four fasteners. Damage could occur.

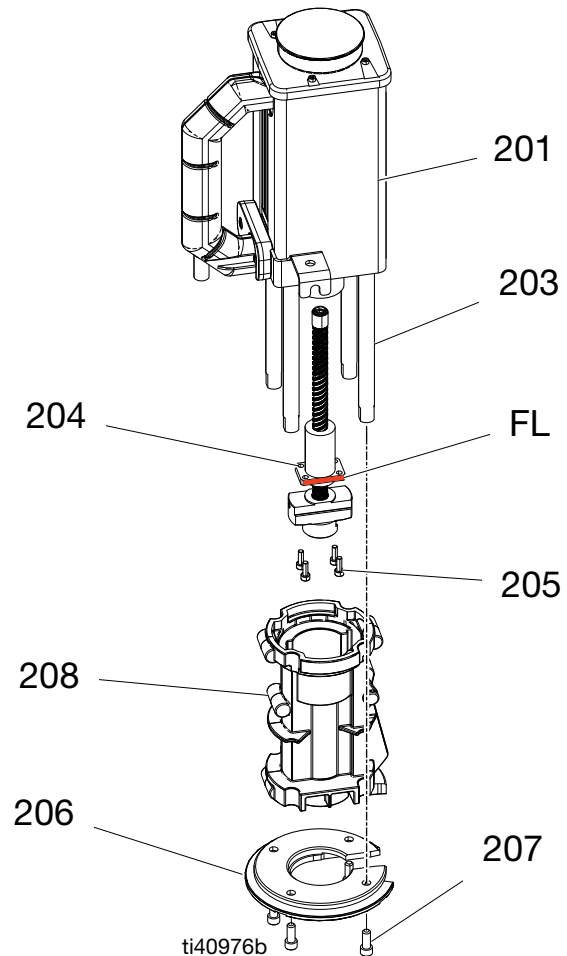
6. Slide the ball screw assembly (204) out of the motor (201).



## Ball Screw Reassembly

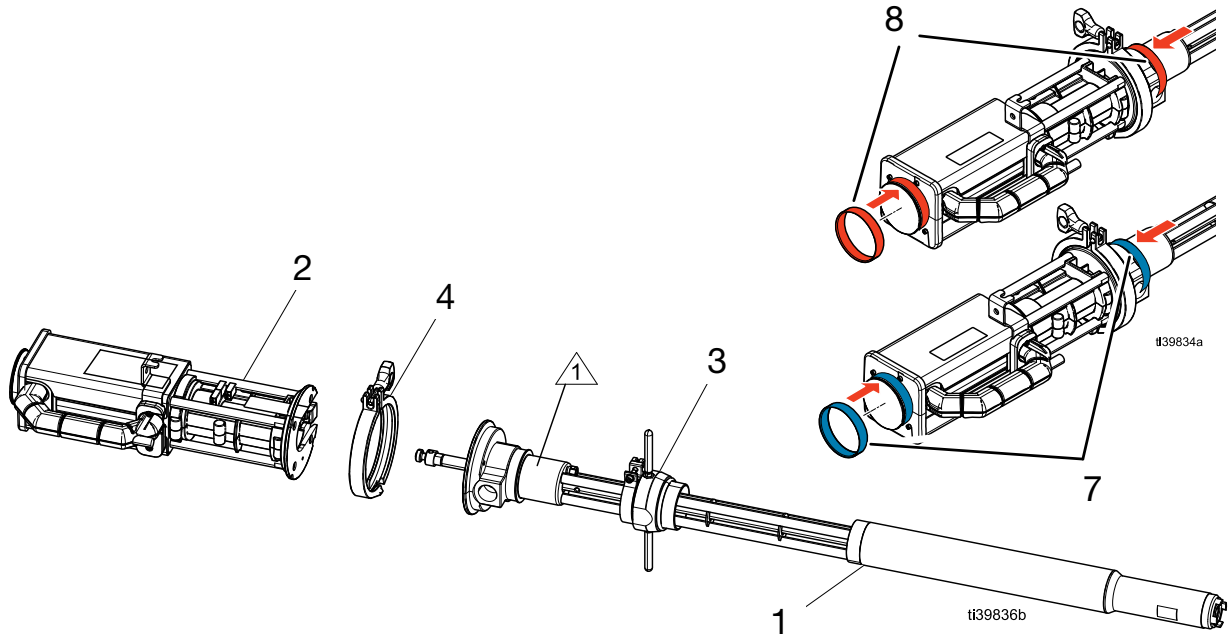
1. Thoroughly clean all grease and debris from the inside of the guide cover (208) and inside the motor shaft.
2. Apply synthetic grease with Syncolon (PTFE) to all grooves of the ball screw (204) and install the ball screw into the motor (201).
3. Place the open end of a 24 mm wrench on the flats (FL) of the ball screw assembly (204) to prevent rotation and use a 3 mm Allen wrench to install the four fasteners (205) to secure the ball screw to the motor (201). Torque fasteners to 30-35 in-lb (3.3-3.9 N•m).
4. If a tie rod was removed during the disassembly process, apply a drop of medium strength thread locking compound to the male threads and use a 7/16 in. open end wrench to install the tie rod. Torque to 110-120 in-lb (12.4-13.6 N•m).
5. Apply synthetic grease with Syncolon (PTFE) to internal flat surfaces of the guide cover (208).
6. Manually rotate the ball screw (204) until the coupler reaches the midpoint of the tie rods (203) and orient the ProConnect notch of the coupler so it is facing the side opposite the motor cable.
7. Install the guide cover (208) into the tie rods (203) and over the ball screw (204) coupler. Make sure the guide cover access door is facing the same direction as the ProConnect notch of the ball screw coupler.  
**NOTE:** The guide cover may need to be tapped into place with a rubber mallet.
8. Install the mounting clamp ring (206) onto the tie rods (203) and guide cover (208).  
**NOTE:** The notch in the mounting clamp ring (206) aligns with the tab on the guide cover (208) access door.

9. Put a drop of medium strength thread locking compound onto the threads of each of the four fasteners (207). Use a 3/16 in. Allen wrench to install fasteners through the mounting clamp ring (206) and into the tie rods (203), then torque to 110-120 in-lb (12.4- 13.6 N•m).
10. To re-install the motor, follow the **Install the Electric Motor** procedure on page 17.



# Parts

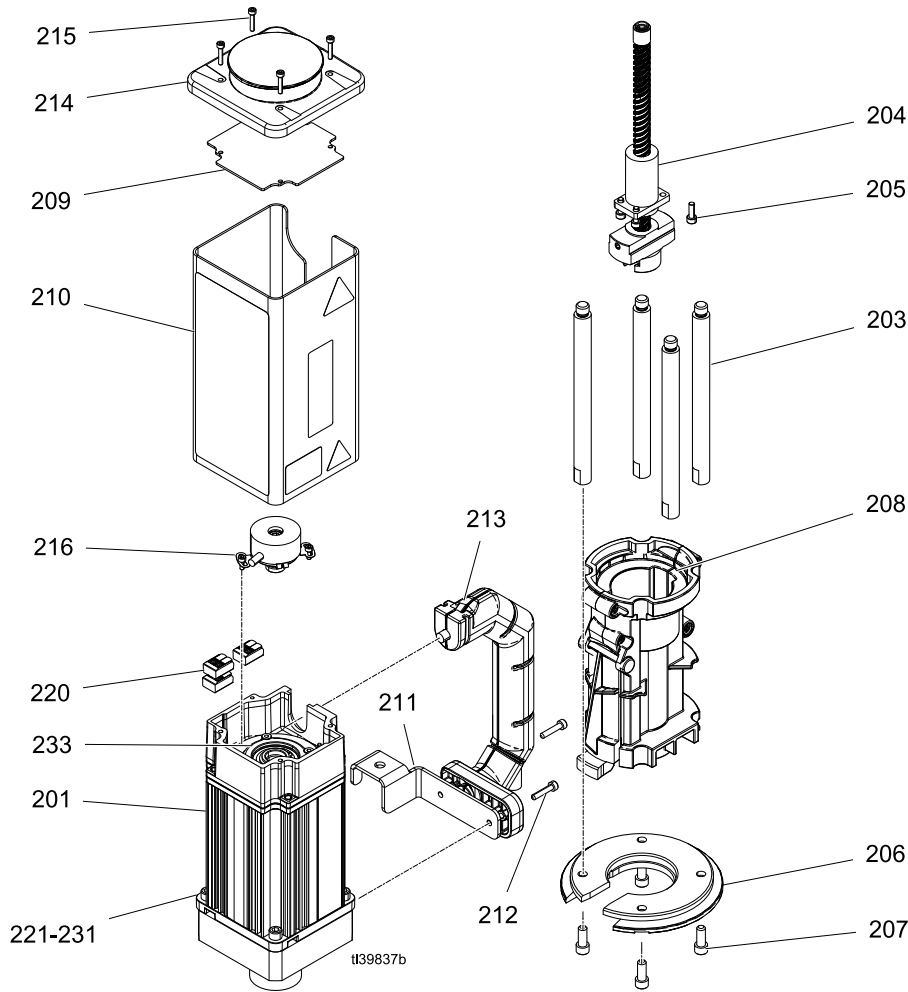
## Pump (26D004)



### Pump Lower Parts List

Ref.	Part	Description	Qty.
1	273295	PUMP, lower, Pro-Connect, CS, without bung adapter	1
2	25T322	ELECTRIC MOTOR	1
3	25B395	ADAPTER, bung, 2 in., EZ removal	1
4	510490	CLAMP, pump	1
7	26D216	BAND, identity, res (blue)	1
8	26D216	BAND, identity, iso (red)	1

## Electric Motor (25T322, 26D009)



### Electric Motor Parts List

Ref.	Part	Description	Qty.	Ref.	Part	Description	Qty.
201	-----	MOTOR, electric	1	222	-----	WASHER, housing, 30 mm	1
203	-----	ROD, tie	4	223	-----	BEARING, thrust, roller, 30 mm	1
204	26D008	SCREW, ball, assembly	1	224	-----	WASHER, thrust, 30 mm	1
205	-----	SCREW, shcs	4	225	-----	COUPLER, motor shaft	1
206	-----	RING, mounting clamp	1	226	-----	WASHER, thrust, 40 mm	1
207	-----	SCREW, cap, sch	8	227	-----	BEARING, thrust, roller, 40 mm	1
208	26D288	GUIDE, cover	1	228	-----	WASHER, housing, 40 mm	1
209	-----	SUPPORT, cable, E1 motor, painted	1	229	-----	SPRING, wave	1
210	26D290	COVER, E1 motor, w/label	1	230	-----	COVER, thrust bearing	1
211	-----	BRACKET, mounting	1	231	-----	SCREW, set, 4 mm	8
212	-----	SCREW, shcs, m4 x 0.7, 20 mm lng	4	233	-----	GASKET, motor	1
213*	-----	CABLE, motor with handle	1	234▲	15G303	LABEL, warning, electrical	1
214†	-----	COVER, motor	1	235▲	15H108	LABEL, safety, warning, pinch	1
215‡	-----	SCREW, shcs, M3-0.5x16, sst	4				
216‡	-----	ENCODER, 24V	1				
217‡	-----	SCREW, shc, m 3-0.5x8, ss	2				
220*	-----	CONNECTOR, lever nut	3				
221	-----	HOUSING, thrust bearing	1				

▲ Replacement safety labels, tags, and cards are available at no cost.

\* Included in kit 26D287, not included in kit 26D009.

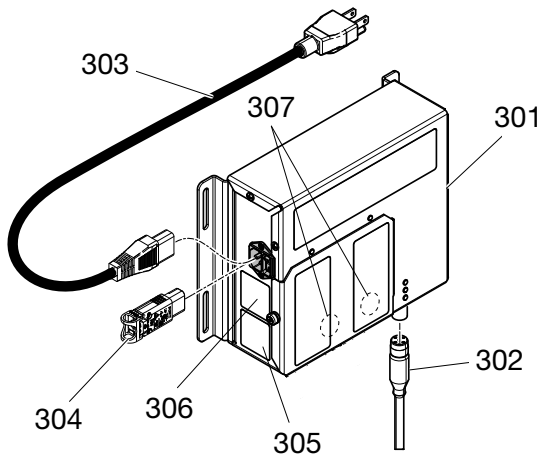
† Included in kit 26D291.

‡ Included in kit 26D286.

**TPC (26D000)**

Ref.	Part	Description	Qty.
301	19B841	CONTROLLER, CORE E1 transfer pump	1
302	121004	CABLE, can, female/female 8.0 m, See <b>Connect Power to the TPC</b> on page 13.	1
303	121055	CORD SET (US, MX, PR, CA, TW, 115V, 10 A)	1
304	26D296	KIT, install, IEC field wireable C13 plug	1
305	25U011▲	LABEL, safety	1
306	195793▲	LABEL, warning	1
307	186620▲	LABEL, symbol, ground	1

▲ Replacement safety labels, tags, and cards are available at no cost.



**Accessories**

To ensure maximum pump performance, make sure all accessories are properly sized to meet your system requirements.

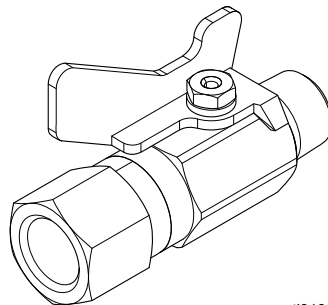
**Fluid Line**

**Fluid drain valve (AE):** Required in your system to relieve fluid pressure in the hose and gun. Install the drain valve so that it points down and the handle points up when the valve is opened.

**Fluid Drain Valve (not included)**

*Maximum Working Pressure: 500 psi (3.5 MPa, 35 bar)*

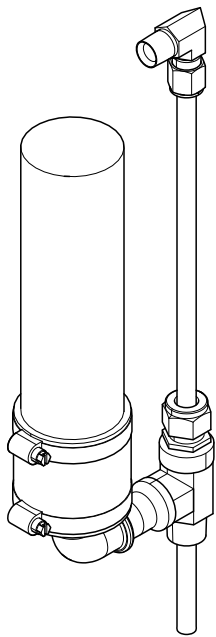
Part	Description	Qty.
208630	VALVE, ball; 1/2 npt(m) x 3/8 npt(f) for non-corrosive fluids; carbon steel and PTFE	1
237534	VALVE, ball; 3/8 npt(m) x 3/8 npt(f) for corrosive fluids; SST and PTFE	1



ti31384a

**Return Tube Kit (not included)**

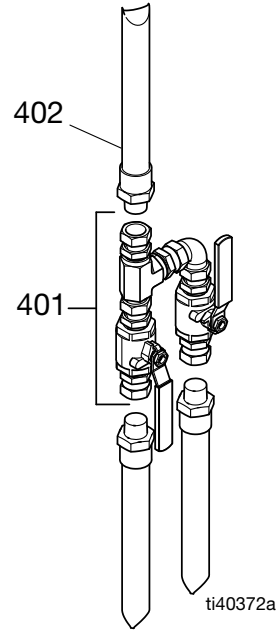
Part	Description	Qty.
246477	KIT, carbon steel return tube	1
24D106	KIT, stainless steel return tube	1
246978	KIT, carbon steel return tube; with hose	1
24E379	KIT, carbon steel return tube; with moisture-loc hose	1
24D107	KIT, stainless steel return tube; with moisture-loc hose	1
247616	KIT, desiccant dryer, no return tube	1



ti31385a

**Multiple Pump Lowers Fluid Kit (not included)**

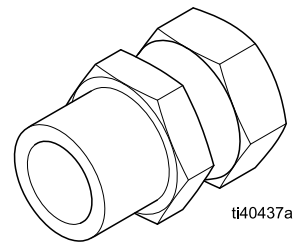
Ref.	Part	Description	Qty.
401	26D219	Fluid Coupling Kit	1
402	217382	Fluid Supply Hose (10 ft)	1



**NOTE:** For Multiple Pump Lowers Fluid Kit installation, see FIG. 4 on page 11.

**Swivel Fitting (not included)**

Part	Description	Qty.
157785	FITTING, swivel	1

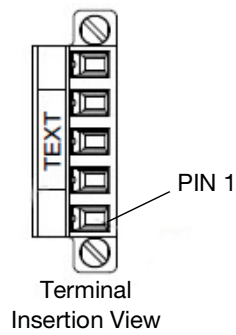


ti40437a

# Electrical Connections

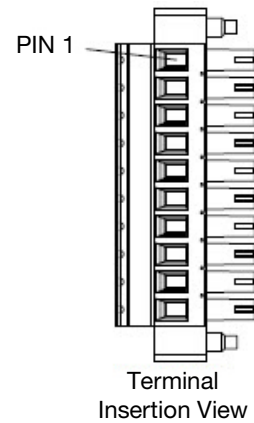
## Connectors J1A and J1B

Position	Signal	Wire Color
1	Motor Output C	White
2	Motor Output B	Red
3	Motor Output A	Black
4	(Not Used)	None
5	Motor Shield	Bare with sleeve

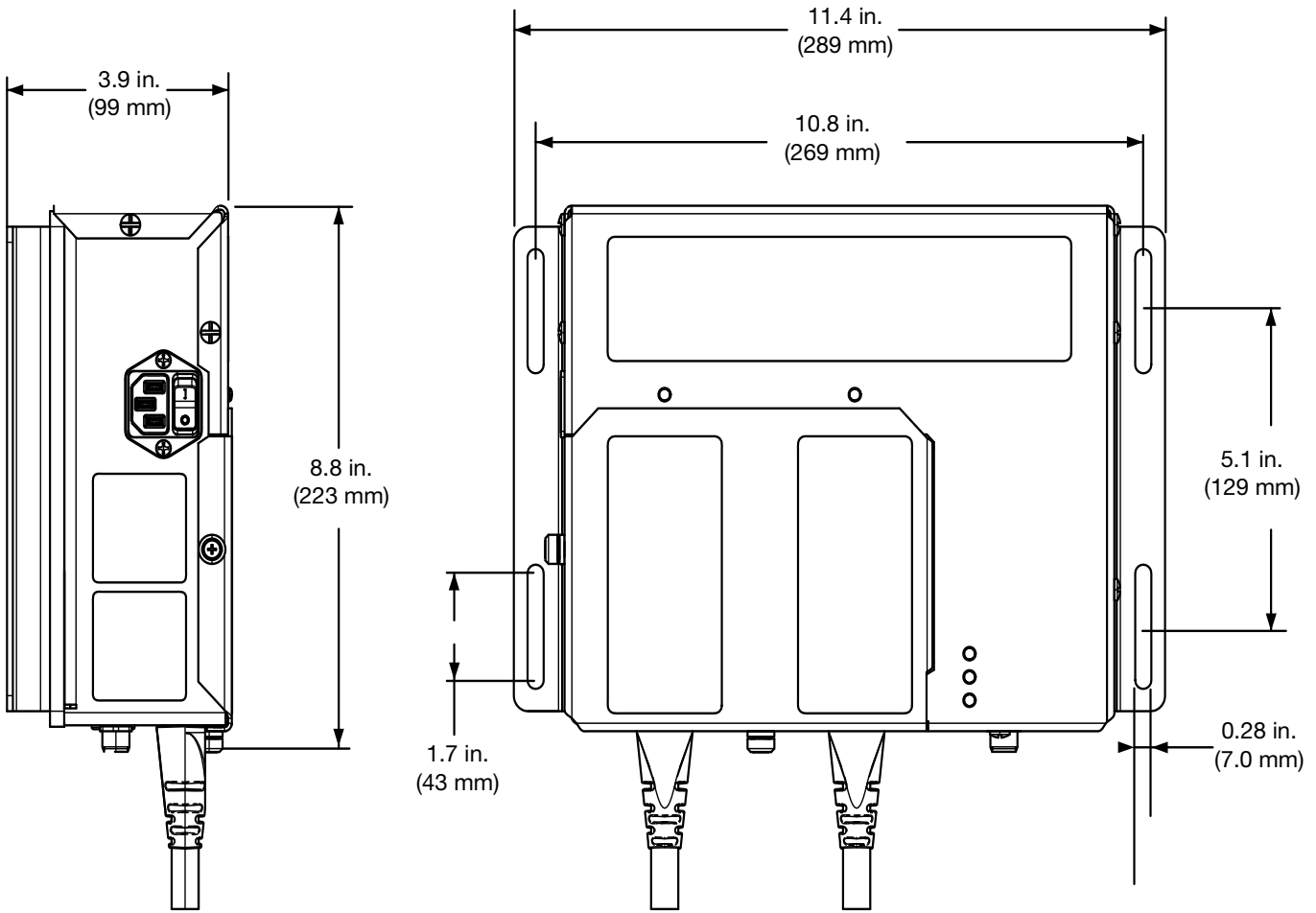


## Connectors J2 and J2B

Position	Signal	Wire Color
1	Encoder Power (24 Vdc)	White / Violet
2	Encoder Return (0 Vdc)	Violet
3	Encoder A Signal	White / Blue
4	Encoder A' Signal	Blue
5	Encoder B Signal	White / Brown
6	Encoder B' Signal	Brown
7	Encoder Z Signal	White / Orange
8	Encoder Z' Signal	Orange
9	(Not Used)	None
10	(Not Used)	None



# Dimensions





## Recycling or Disposal

### End of Product Life

At the end of a product's useful life, recycle it in a responsible manner.

## California Proposition 65

### CALIFORNIA RESIDENTS

 **WARNING:** Cancer and reproductive harm – [www.P65warnings.ca.gov](http://www.P65warnings.ca.gov).



# Technical Specifications

<b>Core E1 Electric Transfer Pump</b>		
	<b>US</b>	<b>Metric</b>
Maximum fluid working pressure	315 psi	2.17 MPa, 21.7 bar
Maximum continuous outlet flow	4.5 gpm	17.03 lpm
Pump cycles per 1 gallon (3.8 liters)	30	
Volume per pump cycle	0.034 gallons	0.128 liters
Maximum ambient operating temperature	120° F	49° C
Maximum fluid temperature	190° F	88° C
<b>Inlet/Outlet Sizes</b>		
Fluid outlet size	3/4-14 in. npt (f)	
<b>Materials of Construction</b>		
Wetted materials on 26D004	Carbon steel, stainless steel, PTFE	
<b>Weight</b>		
All models	29 lb.	13 kg
<b>Notes</b>		
Electrical ratings for the entire transfer pump system (TPC with two E1 transfer pumps):		
100-120 VAC	8 A, 50/60 Hz	
200-240 VAC	4A, 50/60 Hz	
Maximum recommended pump speed for continuous operation:		
100-120 VAC	100 cpm	
200-240 VAC	120 cpm	
All trademarks or registered trademarks are the property of their respective owners.		

# Graco Extended Warranty for Reactor<sup>®</sup> Components

Graco warrants all equipment referenced in this document which is manufactured by Graco and bearing its name to be free from defects in material and workmanship on the date of sale to the original purchaser for use. With the exception of any special, extended, or limited warranty published by Graco, Graco will, for a period of twelve months from the date of sale, repair or replace any part of the equipment determined by Graco to be defective. This warranty applies only when the equipment is installed, operated and maintained in accordance with Graco's written recommendations.

Graco Part Number	Description	Warranty Period
26D009	Core E1 Electric Motor	36 Months
19B841	Core Transfer Pump Controller	36 Months
All other Core E1 Parts		12 Months

This warranty does not cover, and Graco shall not be liable for general wear and tear, or any malfunction, damage or wear caused by faulty installation, misapplication, abrasion, corrosion, inadequate or improper maintenance, negligence, accident, tampering, or substitution of non-Graco component parts. Nor shall Graco be liable for malfunction, damage or wear caused by the incompatibility of Graco equipment with structures, accessories, equipment or materials not supplied by Graco, or the improper design, manufacture, installation, operation or maintenance of structures, accessories, equipment or materials not supplied by Graco.

This warranty is conditioned upon the prepaid return of the equipment claimed to be defective to an authorized Graco distributor for verification of the claimed defect. If the claimed defect is verified, Graco will repair or replace free of charge any defective parts. The equipment will be returned to the original purchaser transportation prepaid. If inspection of the equipment does not disclose any defect in material or workmanship, repairs will be made at a reasonable charge, which charges may include the costs of parts, labor, and transportation.

**THIS WARRANTY IS EXCLUSIVE, AND IS IN LIEU OF ANY OTHER WARRANTIES, EXPRESS OR IMPLIED, INCLUDING BUT NOT LIMITED TO WARRANTY OF MERCHANTABILITY OR WARRANTY OF FITNESS FOR A PARTICULAR PURPOSE.**

Graco's sole obligation and buyer's sole remedy for any breach of warranty shall be as set forth above. The buyer agrees that no other remedy (including, but not limited to, incidental or consequential damages for lost profits, lost sales, injury to person or property, or any other incidental or consequential loss) shall be available. Any action for breach of warranty must be brought within two (2) years of the date of sale.

**GRACO MAKES NO WARRANTY, AND DISCLAIMS ALL IMPLIED WARRANTIES OF MERCHANTABILITY AND FITNESS FOR A PARTICULAR PURPOSE, IN CONNECTION WITH ACCESSORIES, EQUIPMENT, MATERIALS OR COMPONENTS SOLD BUT NOT MANUFACTURED BY GRACO.** These items sold, but not manufactured by Graco (such as electric motors, switches, hose, etc.), are subject to the warranty, if any, of their manufacturer. Graco will provide purchaser with reasonable assistance in making any claim for breach of these warranties.

In no event will Graco be liable for indirect, incidental, special or consequential damages resulting from Graco supplying equipment hereunder, or the furnishing, performance, or use of any products or other goods sold hereto, whether due to a breach of contract, breach of warranty, the negligence of Graco, or otherwise.

## FOR GRACO CANADA CUSTOMERS

The Parties acknowledge that they have required that the present document, as well as all documents, notices and legal proceedings entered into, given or instituted pursuant hereto or relating directly or indirectly hereto, be drawn up in English. Les parties reconnaissent avoir convenu que la rédaction du présente document sera en Anglais, ainsi que tous documents, avis et procédures judiciaires exécutés, donnés ou intentés, à la suite de ou en rapport, directement ou indirectement, avec les procédures concernées.

## Graco Information

For the latest information about Graco products, visit [www.graco.com](http://www.graco.com).

For patent information, see [www.graco.com/patents](http://www.graco.com/patents).

**TO PLACE AN ORDER**, contact your Graco distributor or call to identify the nearest distributor.

Phone: 612-623-6921 or Toll Free: 1-800-328-0211, Fax: 612-378-3505

*All written and visual data contained in this document reflects the latest product information available at the time of publication.  
Graco reserves the right to make changes at any time without notice.*

Original instructions. This manual contains English. MM 3A8503

**Graco Headquarters:** Minneapolis

**International Offices:** Belgium, China, Japan, Korea

**GRACO INC. AND SUBSIDIARIES • P.O. BOX 1441 • MINNEAPOLIS MN 55440-1441 • USA**  
**Copyright 2020, Graco Inc. All Graco manufacturing locations are registered to ISO 9001.**

[www.graco.com](http://www.graco.com)  
Revision E, July 2022