

) david  
trubridge



Sold









# Sola

Based on the same geometry as Coral and Floral with more connection points, creating an intensely intricate pattern. Designed as part of our Icarus installation shown in Milan which is based on the Greek myth about the boy who flew too close to the Sun. Sola represents the Sun which will get too hot if you fly too high and the shapes look a little like the solar flares that form and curl on the surface and edge of our Sun. The full installation (including Wing lights) was later purchased by the Pompidou Centre in Paris for its permanent collection. Sola comes in 3 sizes. The plywood finish can be all natural, painted orange or black.



# Features

## Shipped Kitset

Seed System kitset lightshades are on average 1/30th of the volume of the assembled light. This aims to help minimize the effects of shipping and to reduce the design's environmental footprint.

## Compliance

CE (IEC 60598.2.1 Ed 1.1 IEC 60598.1 Ed 8.0)  
AS/NZS (AS/NZS 60598.2.1)

Note: UL/cUL certified cordsets are supplied within the North American market sourced from UL/cUL manufacturers.

## Care Instructions

All wooden and/or polycarbonate lights are intended for use in dry interior conditions only and can be cleaned with a soft cloth dampened slightly in warm water when the light is switched off. Do not use detergents.

## Light sizes

David Trubridge kitset lightshades come in various sizes, making it easy to find the right size to any interior space whether it's small or large.

## EPD Certified

An EPD is a standardised and verified way of quantifying the environmental impacts of a product, based on a consistent set of rules that have been developed through a stakeholder consultation process.

## Warranty

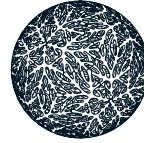
This light is warranted for three years from date of purchase for failure of parts.



THE INTERNATIONAL EPD® SYSTEM



# Technical Data



## 800mm/31"

## 1000mm/39"

## 1350mm/53"

	800mm/31"	1000mm/39"	1350mm/53"	
Dimensions	Diameter: 800mm / 31" Weight: 1.7kg / 3.75lb	Diameter: 1000mm / 39" Weight: 2.3kg / 5.07lb	Diameter: 1350mm / 53" Weight: 7kg / 15.43lb	
Cordset*	2m / 6.5ft	2m / 6.5ft	5m / 16.4ft	
Material	Bamboo plywood (Sourced from FSC accredited factory)	Bamboo plywood (Sourced from FSC accredited factory)	Bamboo plywood (Sourced from FSC accredited factory)	
Fasteners	Nylon	Nylon	Nylon	
Suspension	1 x Suspension Wire	1 x Suspension Wire	1 x Suspension Wire	
Packaging	360mm x 250mm x 130mm 14" x 10" x 5" 0.012m <sup>3</sup> / 0.413ft <sup>3</sup> 4.5kg / 9.92lb	365mm x 320mm x 140mm 14" x 13" x 6" 0.016m <sup>3</sup> / 0.577ft <sup>3</sup> 5.0kg / 11.02lb	480mm x 420mm x 185mm 19" x 17" x 7" 0.040m <sup>3</sup> / 1.317ft <sup>3</sup> 8.0kg / 17.64lb	

\*Black comes with black cordset and fasteners. All others come with white cordset and clear fasteners. Custom lengths available on request.



## You will need

Fixings for cone gripper (fixing screws NOT SUPPLIED).

Note: Choose appropriate hardware to attach base plate (Fig.1) to ceiling substrate.

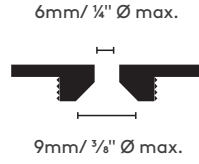


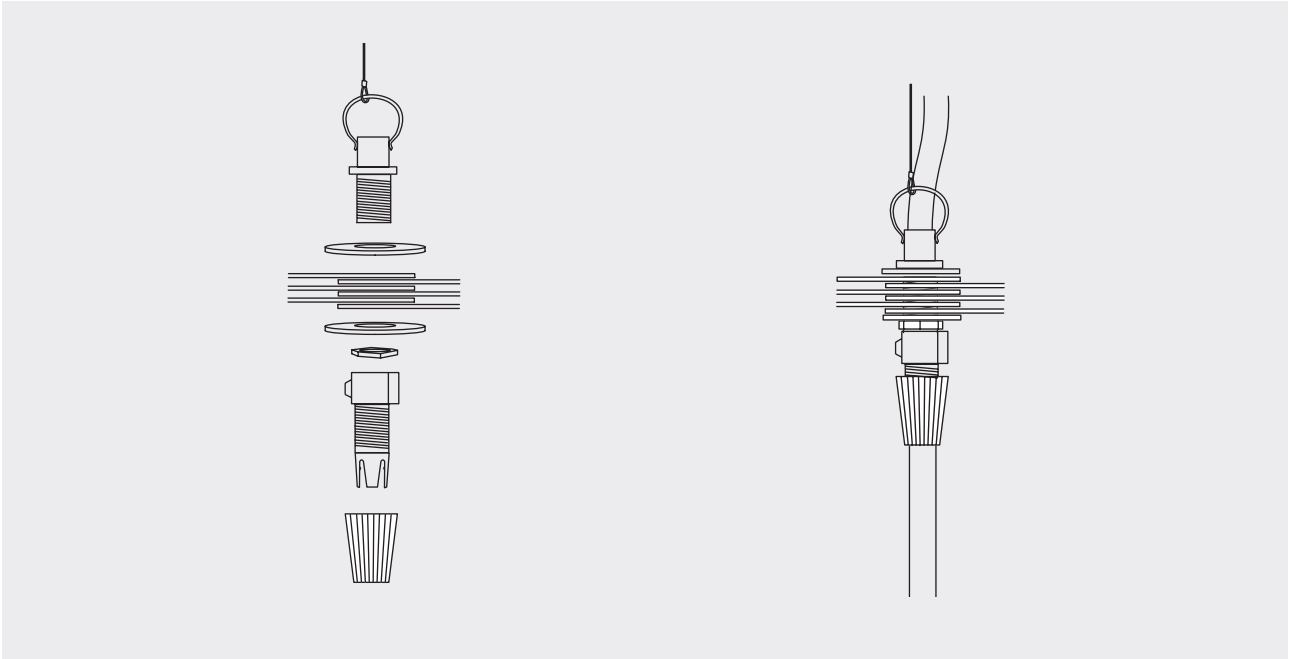
Fig 1. Base Plate

# Installation

## 800mm/31"

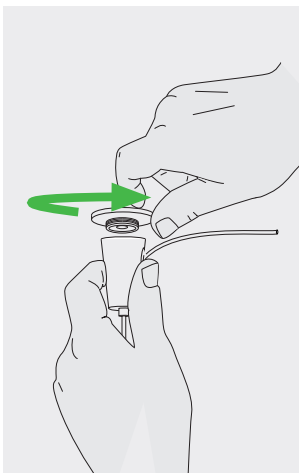
## 1000mm/39"

## 1350mm/53"

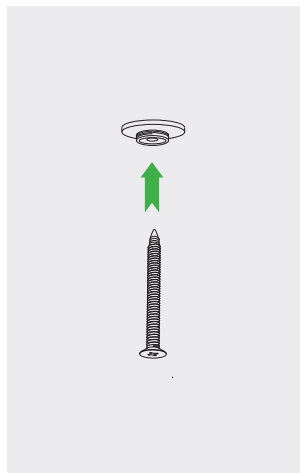


### Step 1.

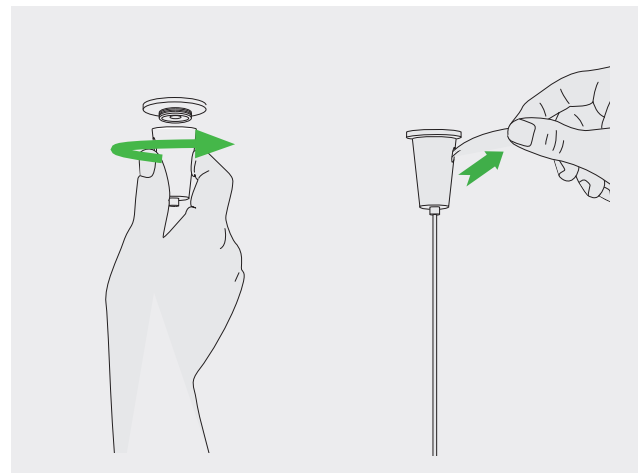
Follow the order of each component in diagram. Adjust the bulb / lamp to mid way in the pendant lightshade shown in Step 2 and then tighten.



Step 2.  
Unscrew baseplate.



Step 3.  
Use appropriate fixing screw to mount base plate (Fig.1).

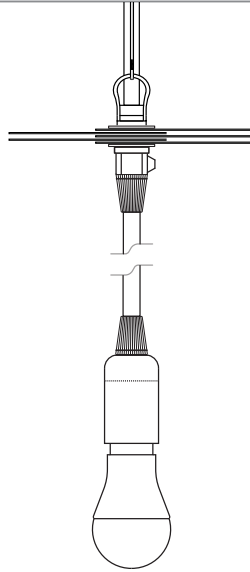


Step 4.  
Remove cable from cone. Screw cone back onto baseplate. Re-insert cable and level light. Once desired position is set, trim excess cable.



# Diagrams

800mm/31"  
1000mm/39"  
1350mm/53"



North America: E26, Max 60 Watts

120v AC 60hz

Rest of World: E27, Max 60 Watts

230-240v AC 50hz.

**david trubridge** Pendant Series

This luminaire is compatible with bulbs of the energy classes:

A vertical energy efficiency scale with seven horizontal bars of increasing length from top to bottom. The bars are labeled A+++ (dark green), A++ (medium green), A+ (light green), A (yellow-green), B (yellow), C (orange), D (red-orange), and E (red). A blue bracket on the right side of the scale groups the A, B, C, D, and E classes. A small light bulb icon is positioned to the right of the bracket.

874/2012





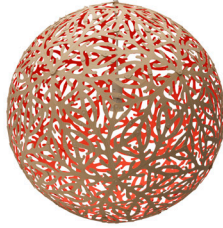
Bamboo



Aqua



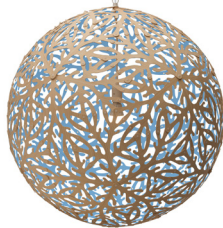
Lime



Red



Orange



Blue



Pink



Black 1 Side (Outside)



Black 1 Side (Inside)



Black 2 Sides



White 1 Side



White 2 Sides







# Contact

New Zealand  
Showroom/Head office

## Contact

+64 6 6500 204  
[info@davidtrubridge.com](mailto:info@davidtrubridge.com)

## Address

Corner Station Road &  
Groome Place, Whakatu,  
Hastings, Hawkes Bay,  
New Zealand