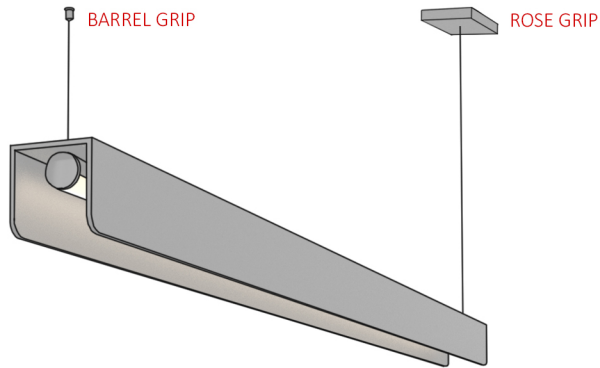


LUCA INSTALLATION INSTRUCTIONS

1



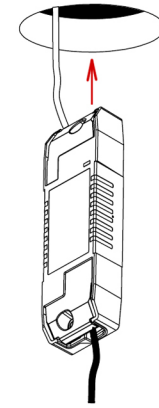
Attach mounting points to the ceiling. Use the barrel grip at the non-powered end and the square ceiling rose grip at the 24V feed end.

2



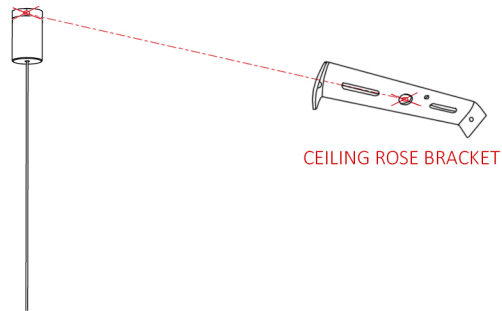
The suspension points should be 18mm in from each side. To determine the spacing of the suspension points, subtract 36mm from the total length of the fitting. Please note the total length can vary due to cutting tolerances. Please measure the fitting before locating the barrel and rose grips.

3



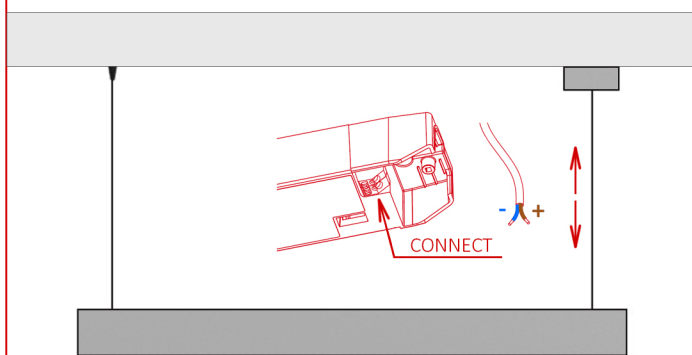
The driver needs to be mounted remotely. Either pass the driver through a hole which can be covered by the ceiling rose or locate somewhere close where it is accessible for maintenance, for example, behind an adjacent downlight or above a kitchen cabinet. For dimming, we recommend the Kiwi Universal Dimmer. www.kiwielectronics.co.nz/products/led-universal-dimmer/

4



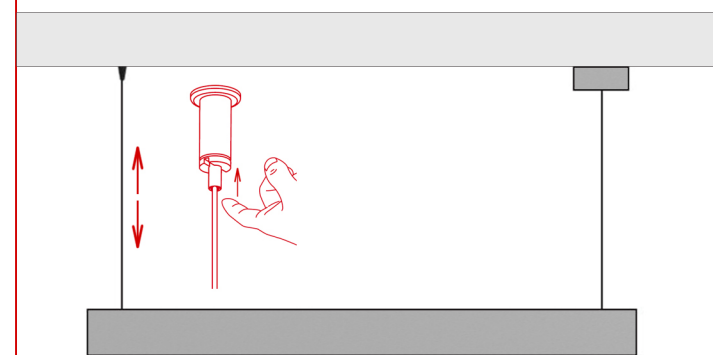
Install the ceiling rose bracket centred on the 24V feed end and the ceiling anchor at the other end.

5



Adjust the height of the pendant on the powered side by feeding it through the ceiling rose barrel gripper. Connect the cable to the driver. **The blue wire is negative (-) and the brown is positive (+).** Attach the ceiling rose to the mounting bracket.

6



Feed the non-powered suspension cable through the ceiling anchor and trim the cable when the fitting is level. Before trimming, make sure the height is appropriate because lengthening the cable after trimming is not possible.