

) david
trubridge

kin





Kina



Kina references the inner shell of the local salt water sea-urchin called kina in Māori. David saw a kina shell in Antarctica – an exquisite jewel sunk in a tiny hollow in the sea ice. The shell had absorbed enough warmth from the sun to melt the ice around it.

Kina comes in a range of sizes from 400mm dia to 1600mm dia. The plywood finish can be all natural or painted creating a wide range of colour options.



Cover Photo: Patrick Reynolds



Features

Shipped Kitset

Seed System kitset lightshades are on average 1/30th of the volume of the assembled light. This aims to help minimize the effects of shipping and to reduce the design's environmental footprint.

Compliance

CE

AS/NZS

(Declarations of conformity available on request).

Care Instructions

All wooden and/or polycarbonate lights are intended for use in dry interior conditions only and can be cleaned with a soft cloth dampened slightly in warm water when the light is switched off. Do not use detergents.

Light sizes

David Trubridge kitset lightshades come in various sizes, making it easy to find the right size to any interior space whether it's small or large.

EPD Certified

An EPD is a standardised and verified way of quantifying the environmental impacts of a product, based on a consistent set of rules that have been developed through a stakeholder consultation process.

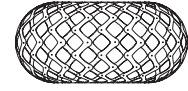
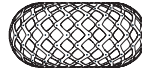
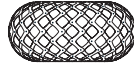
Warranty

This light is warranted for three years from date of purchase for failure of parts.



THE INTERNATIONAL EPD® SYSTEM

Technical Data



440mm/17"

600mm/24"

800mm/31"

1000mm/39"

1400mm/55"

Width: 440mm / 17" Height: 200mm / 8" Weight: 0.5kg / 1.10lb	Width: 600mm / 24" Height: 280mm / 11" Weight: 0.9kg / 1.98lb	Width: 800mm / 31" Height: 370mm / 15" Weight: 1.5kg / 3.30lb	Width: 1000mm / 39" Height: 420mm / 17" Weight: 2.45kg / 5.40lb	Width: 1400mm / 55" Height: 650mm / 26" Weight: 9.2kg / 20.28lb	Dimensions
2m / 6.5ft	2m / 6.5ft	2m / 6.5ft	3m / 9.8ft	5m / 16.4ft	Cordset*
Bamboo plywood (Sourced from FSC accredited factory)	Bamboo plywood (Sourced from FSC accredited factory)	Bamboo plywood (Sourced from FSC accredited factory).	Bamboo plywood (Sourced from FSC accredited factory)	Bamboo plywood (Sourced from FSC accredited factory)	Material
Nylon	Nylon	Nylon	Nylon	Nylon	Fasteners
Hangs on cord	Hangs on cord	Hangs on cord	1 x Suspension Wire	4 x Suspension Wires	Suspension
565mm x 185mm x 70mm 22" x 7" x 3" 0.007m ³ / 0.3ft ³ 0.9kg / 2lb	570mm x 240mm x 60mm 22" x 9" x 2" 0.008m ³ / 0.29ft ³ 1.5kg / 3.31lb	395mm x 335mm x 105mm 16" x 13" x 4" 0.014m ³ / 0.5ft ³ 2.4kg / 5.3lb	540mm x 450mm x 80mm 21" x 18" x 3" 0.019m ³ / 0.674ft ³ 3.8kg / 8.38lb	750mm x 590mm x 205mm 30" x 23" x 8" 0.091m ³ / 3.2ft ³ 9.25kg / 20.4lb	Packaging

*Black comes with black cordset and fasteners. All others come with white cordset and clear fasteners. Custom lengths available on request.

You will need

Fixings for cone gripper (fixing screws NOT SUPPLIED).

Note: Choose appropriate hardware to attach base plate (Fig.1) to ceiling substrate.

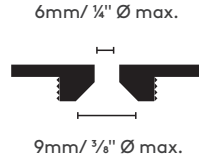
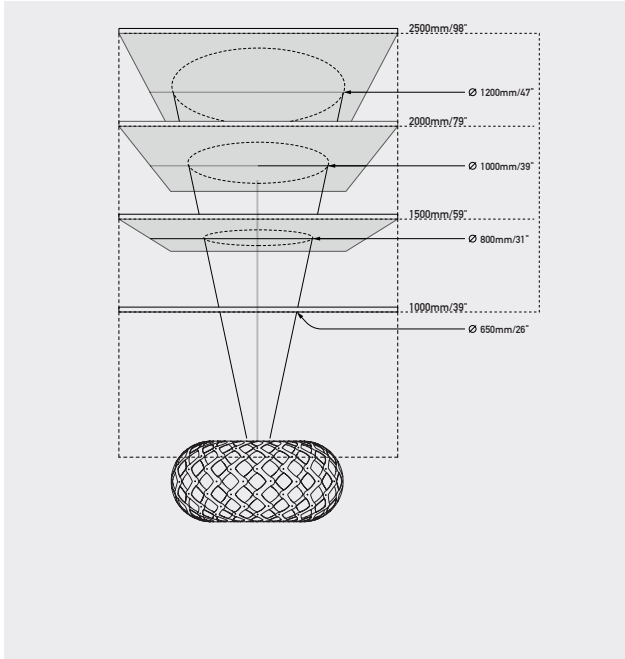


Fig 1. Base Plate

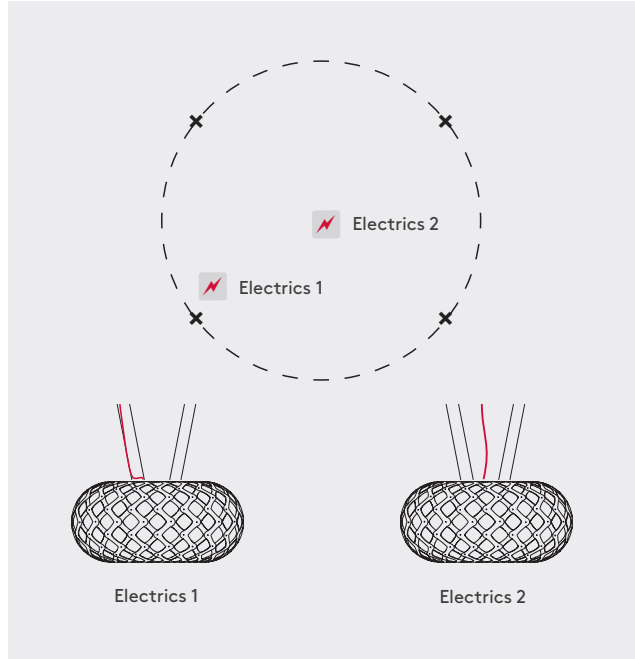
Installation 1400mm/55"



Step 1.

Decide upon hanging distance. Use the schematic diagram as a guide to pick a circle radius to be marked out on ceiling. This circle can be marked with a length of timber or string.

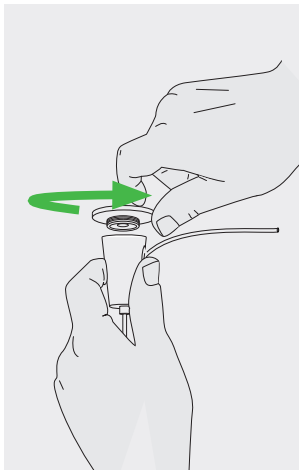
Options



Step 2.

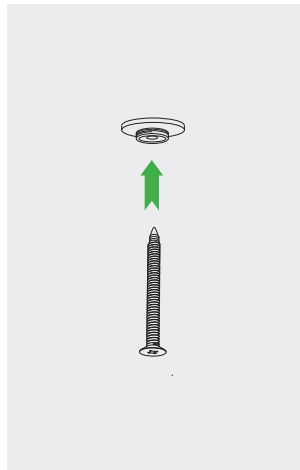
Mark 3 hanging points where your cone grippers will be located. You can either centrally locate the ceiling canopy or run the electric cord up one of the suspension wires.

Installation - 1000mm / 39" & 1400mm / 55"



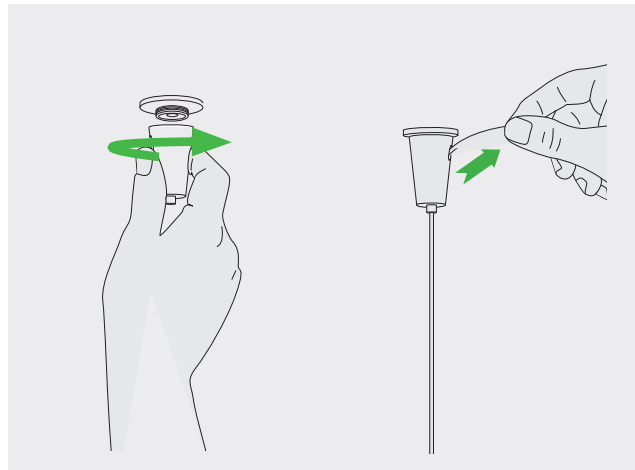
Step 1.

Unscrew baseplate.



Step 2.

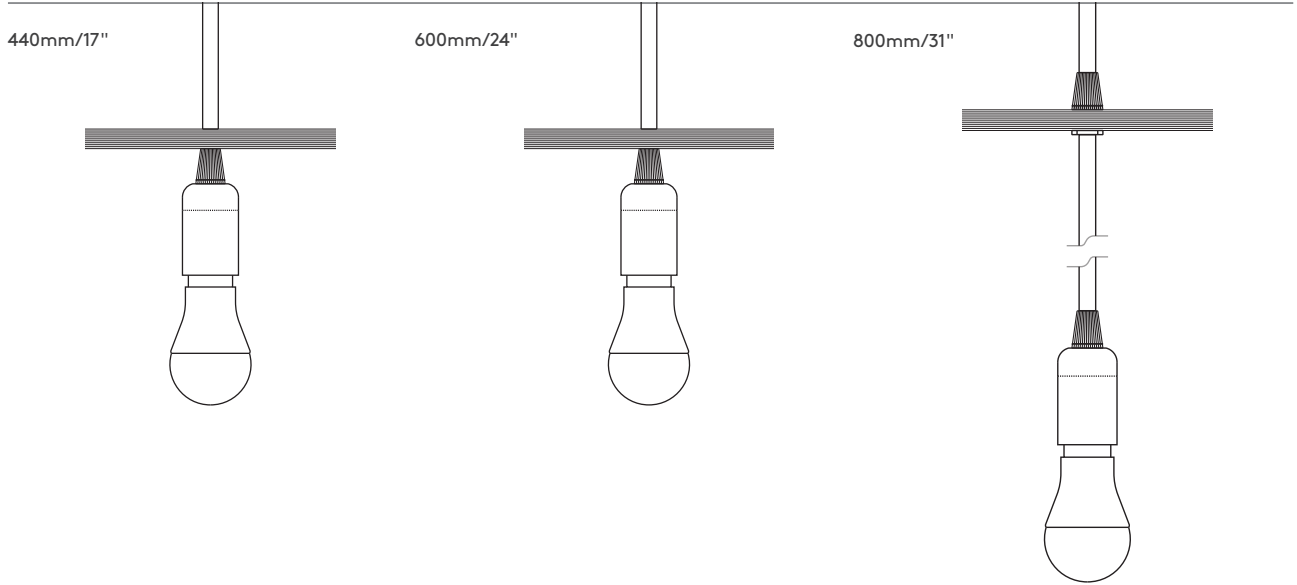
Use appropriate fixing screw to mount base plate (Fig.1).



Step 3.

Remove cable from cone. Screw cone back onto baseplate. Re-insert cable and level light. Once desired position is set, trim excess cable.

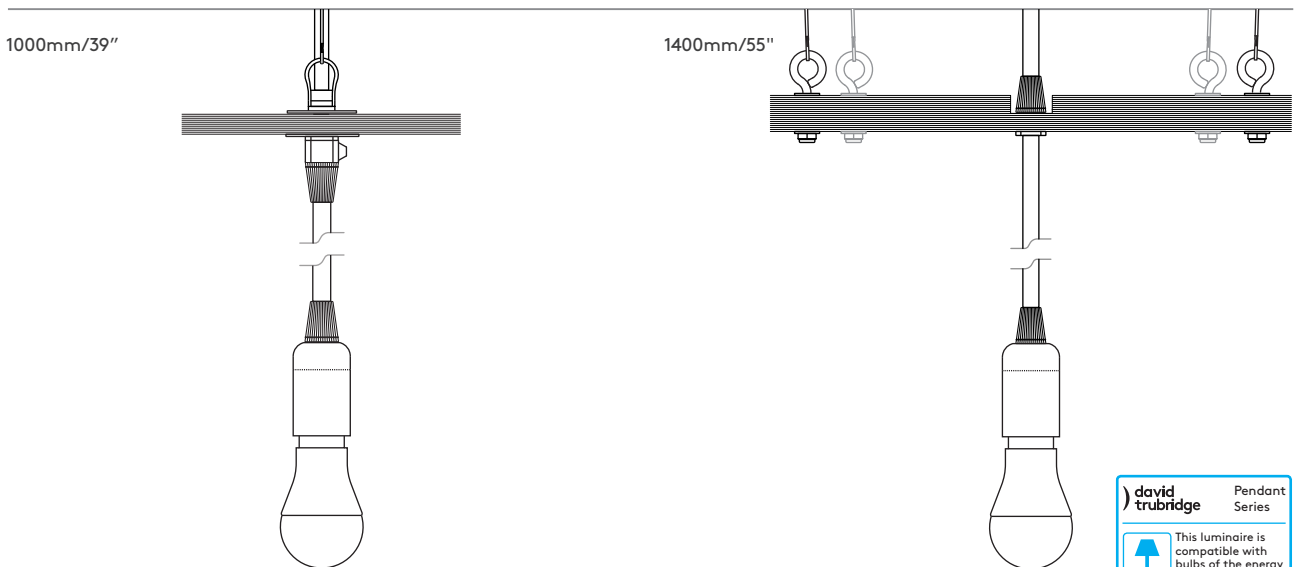
Diagrams



North America: E26, Max 60 Watts
120v AC 60hz
Rest of World: E14, Max 60 Watts
230-240v AC 50hz

North America: E26, Max 60 Watts
120v AC 60hz
Rest of World: E27, Max 60 Watts
230-240v AC 50hz

North America: E26, Max 60 Watts
120v AC 60hz
Rest of World: E27, Max 60 Watts
230-240v AC 50hz



North America: E26, Max 60 Watts
120v AC 60hz
Rest of World: E27, Max 60 Watts
230-240v AC 50hz

North America: E26, Max 60 Watts
120v AC 60hz
Rest of World: E27, Max 60 Watts
230-240v AC 50hz

david trubridge Pendant Series

This luminaire is compatible with bulbs of the energy classes:

874/2012

Finish Choices



Bamboo

All bamboo (our primary material) is secondary product, from renewable forests in China grown as a food source. We have visited these plantations and are satisfied with the quality of their systems.



Painted Lights

We use an acrylic low VOC (volatile organic compound) paint that is made in New Zealand. Colour swatches are available in all retailers. See the Resene website for more info. www.resene.co.nz



Bamboo



Aqua



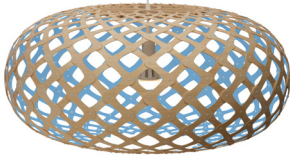
Lime



Red



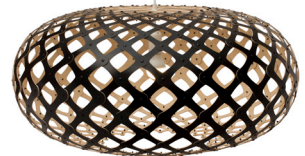
Orange



Blue



Pink



Black 1 Side (Outside)



Black 1 Side (Inside)



Black 2 Sides



White 1 Side



White 2 Sides



Contact

New Zealand
Showroom/Head office

Contact

+64 6 6500 204
info@davidtrubridge.com

Address

Corner Station Road &
Groome Place, Whakatu,
Hastings, Hawkes Bay,
New Zealand