

# Built In BBQ Guide



## Installation Requirements & Clearances

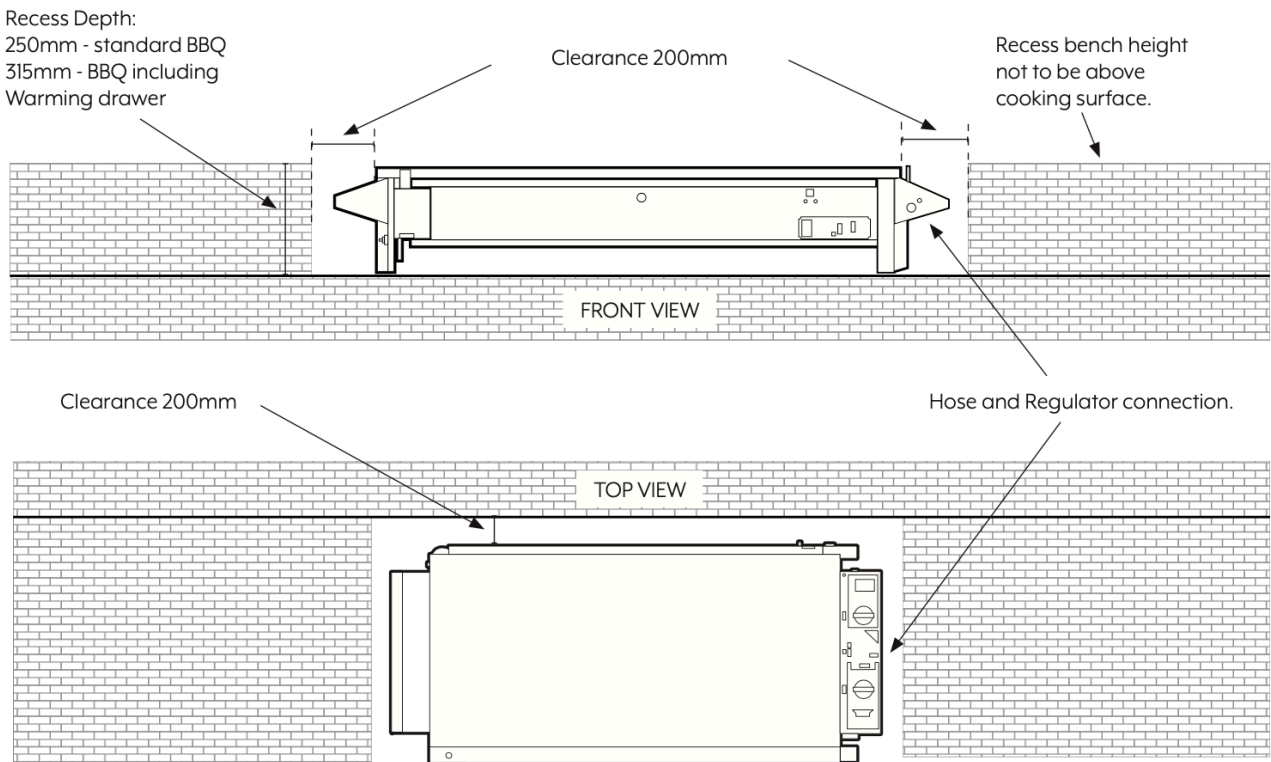
A regular Heatlie BBQ can be purchased without the mobile legs for use as a “built-in” BBQ. If ordered as such, we will supply the unit with security feet installed. These feature a tab that can be bolted to a surface. See below installation requirements when installing a Heatlie BBQ in this manner.

- 25mm clearance between plate and **non-combustible surfaces** (brick, stone, concrete etc.)
- 200mm clearance between plate and **combustible surfaces** (wood, laminates, MDF etc.)
- Surface the BBQ is installed on must be non-combustible
- Plate must not be below the bench top, therefore recess can be no more than 250mm high, or 315mm with the warming drawer
- The left handle can be removed to lessen the amount of space used. Leaving the left handle on adds 110mm to width. (See dimensions on reverse side).
- Front edge of the recess must remain fully open
- Make sure the rear flue is not blocked
- If using a combustible material, it can be constructed using a non-combustible lining, as long as the backing of the lining is also non combustible.

Attached to your built in BBQ are security feet. The security feet can be located in any position before fixing by inserting a 10mm allen key, undoing the screw and rotating. These feet are to be attached to your bench or recess with a dyna-bolt or other permanent fixing.

If the BBQ is configured for LPG, the gas cylinder is to be located adjacent to the barbecue, in a position where it is adequately ventilated, where it is protected and securely located but also does not strain the gas hose. Ensure that the hose is disconnected when moving the BBQ so as not to impart undue stress on the hose.

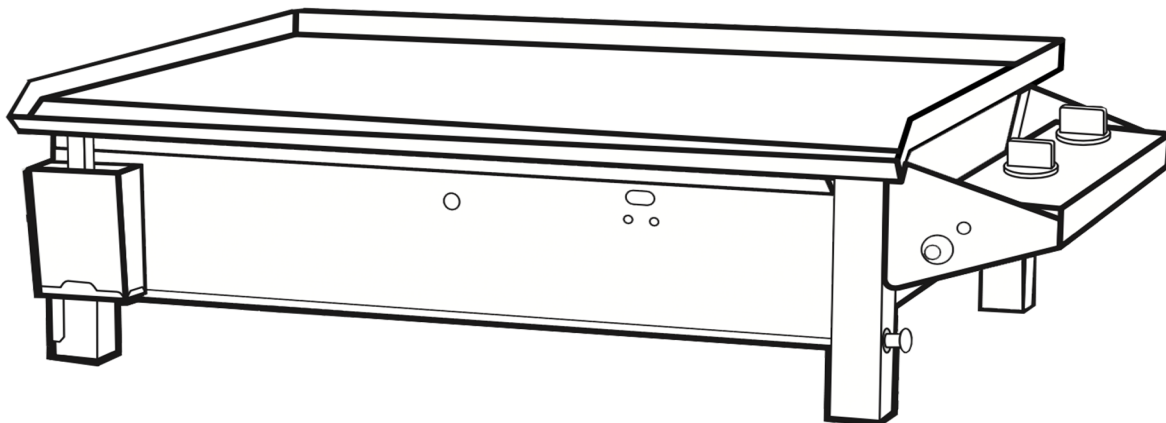
*Note: Our product is certified to the appropriate standard for installation without legs in a recessed location at the minimum clearances as detailed in our installation instructions. For installation in an alternate location and outside the scope of our installation instructions, i.e. trailer mounted appliance - refer to your local technical regulator for guidance and approval.*



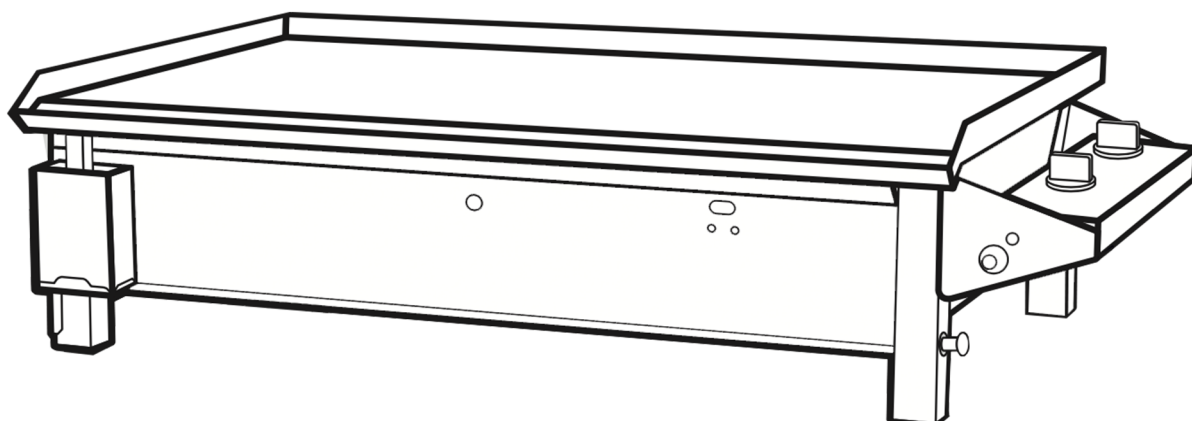
# Built In BBQ Guide



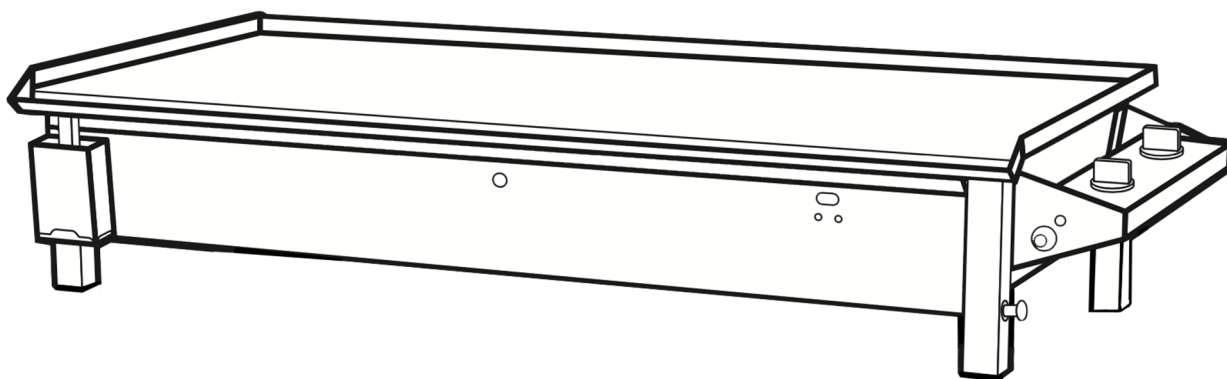
## Dimensions (w/o Left Handle)



**700 W: 810mm D: 595mm H: 250mm**



**850 W: 960mm D: 595mm H: 250mm**



**1150 W: 1265mm D: 595mm H: 250mm**