

# Butterfly

60 INCH VANITY UNIT  
BUT002-60-PONY

Designed in Australia by Zuster, and is available exclusively at Reece USA.

The Butterfly vanity was named for its signature Zuster-designed ‘butterfly’ handle, a handle featured through their generational design history and reinvented for each new collection. Butterfly pays homage to craftsmanship and bespoke design with a series of cleverly integrated luxuries, drawer storage and premium quality construction. Butterfly is constructed from rich American Oak, stained Pony Oak and with three deep drawers and an internal fixed shelf for additional storage.



To see the complete range go to <https://reecebathandkitchen.com/collections>

## About Zuster -

Inspired by Australian living, Zuster is Dutch for sister. Designed in Australia by an extraordinary duo Wilhelmina McCarroll and Fleur Sibbel, uniquely reimagining the bathroom space, Zuster is the ultimate representation of magnificence & detail, inspired by our surroundings. Bringing a modern Australian design approach to unlock the resurgence of American Oak. Inside and out, Zuster bathroom furniture has been impeccably designed through craft and refined finishing, making each piece a statement of glamour and luxury. Its magnetic beauty paired with macro detail makes Zuster one of a kind.

**Disclaimer:** Products in this specification manual must by regulation be installed by licensed and registered trade people. The manufacturer/distributor reserves the right to vary specifications or delete models from their range without prior notification. Dimensions are nominal measurements only. Dimensions and set-outs listed are correct at time of publication however the manufacturer/distributor takes no responsibility for printing errors.

Published 30/05/2023

# Butterfly

60 INCH VANITY UNIT  
BUT002-60-PONY

## Standard Size

Width (inch)	60"
Depth (inch)	21 7/8"
Height (inch)	19"
Number of drawers	3
Sinks	2

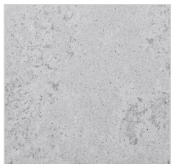
## Specifications

Recommended Use	Domestic, Hotel & Commercial
Vanity Cabinet Material	American Oak solid and veneer
Vanity Frame Material	Handcrafted mitred frame in American Oak veneer with 2 Pack Polyurethane on High Moisture Resistant MDF
Door Design	Soft close drawers with Blum hinges
Benchtop Material	Storm Quartz
Handles Material	Pony Oak
Vanity Finish	Pony Oak
Fixing	Bolted / Screwed to Wall by a Licensed Trades Person (not included) Please refer to the Installation instructions. Document on the Website for more information.
Designed in	Australia
Manufactured in	Vietnam

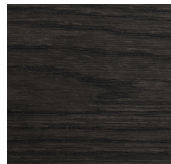
## Cleaning Recommendations -

Our timber frame should be cleaned with a mild, non-acidic, non-abrasive detergent and soft cloth. Finish by cleaning off detergents with a soft damp cloth and towel dry. Always clean spills and water immediately.

## Finishes -



Storm (Quartz)  
Bench Top and Handle



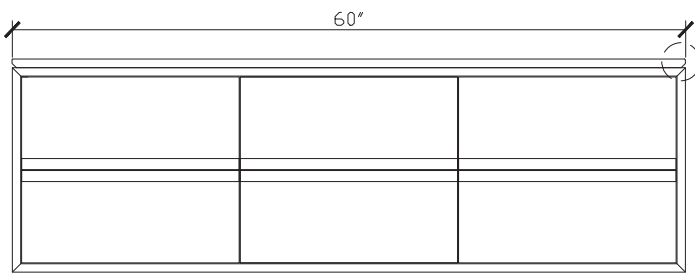
Pony Oak (American Oak)  
Vanity Cabinet



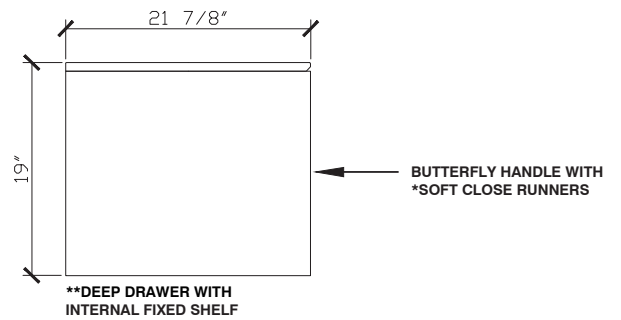
High quality moisture resistant American Oak veneer and solid American Oak.

# Butterfly

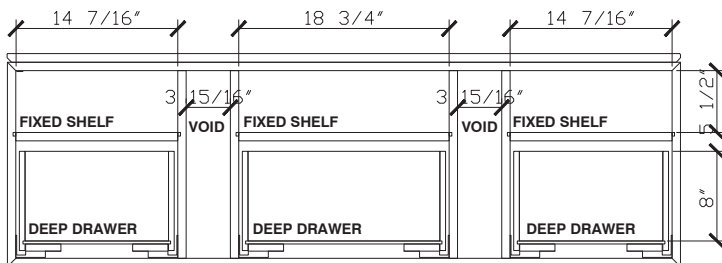
60 INCH VANITY UNIT  
BUT002-60-PONY



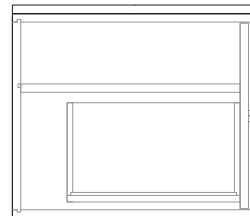
Front View



Side View



Internal Front View



Internal Side View



Detail (bench top) Front View

# Butterfly

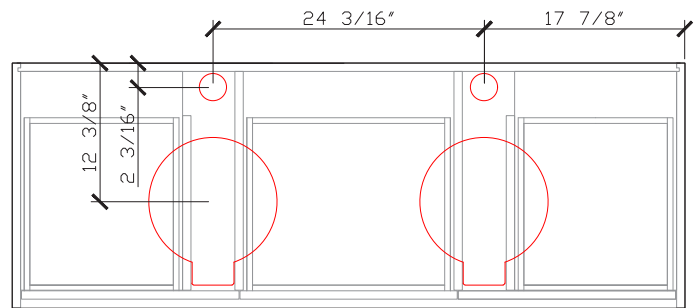
60 INCH VANITY UNIT  
BUT002-60-PONY

## Waste and taphole cutout -

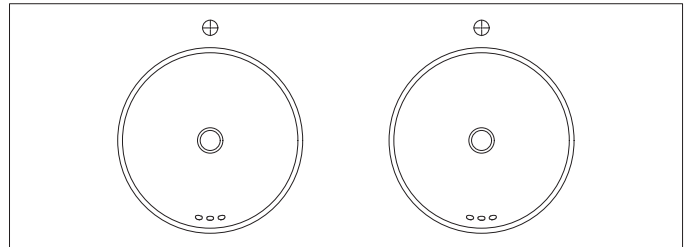
Sink: Kohler Vox vessel bathroom sink K-14800-0 - Sold Separately

Faucet: Dornbracht Imo Single-lever basin mixer with raised base without pop-up waste 33 537 670-00 - Sold Separately

Double sink **only**



Waste Cutout Top View



Basin Top View