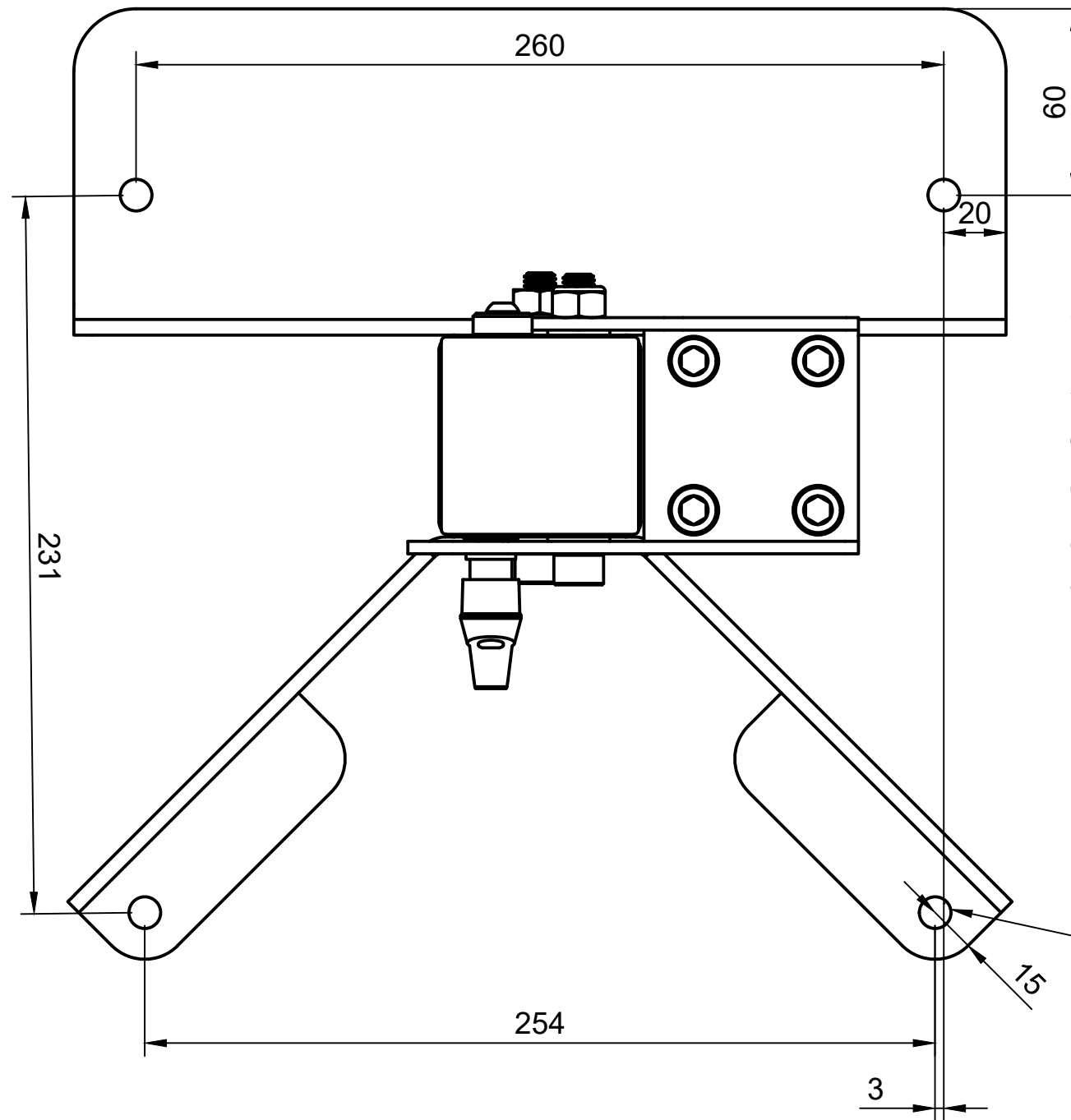


Allow 100mm behind stand for motor clearance.



We recomend lining up the right side of the stand with the right edge of your bench. Otherwise allow 200mm clearance from the right edge of the back foot for belt changes.

Make holes 15-20mm from front edge of bench

Fix stand down with 4x M8 (or 5/16") bolts or lag screws.

| | | | |
|-------|---------------------|--|-----------------|
| Dept. | Technical reference | Created by Ewan Gibson 6/09/2022 | Approved by |
| | | Document type | Document status |
| | | Title SM-BTS | DWG No. |
| Rev. | Date of issue | Sheet 1/1 | |