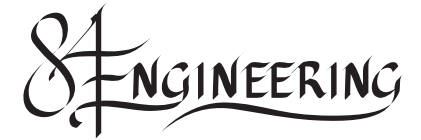


Disc Stand Bracket Assembly Instructions

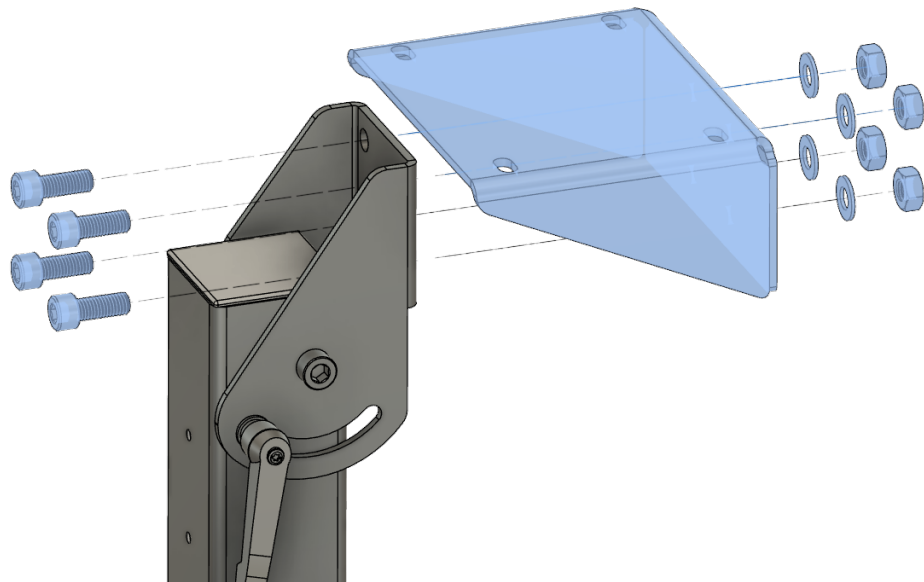
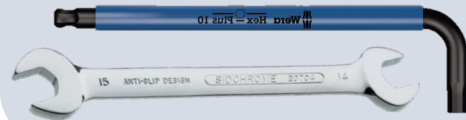


1. -4* 10x25
-4* M10 nuts
-4* M10 washers

Attach bracket to Height Adjustable Pedestal Stand or Bench Top Stand as shown below.

TOOLS

- H8 Allen Key
- 16mm Spanner



2. -4* 8x35
-4* M8 nuts
-8* M8 washers

Bolt disc grinder to bracket as shown.

TOOLS

- H6 Allen Key
- 13mm Spanner

