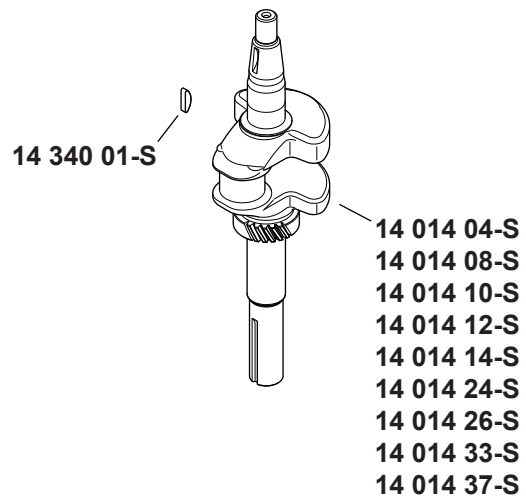
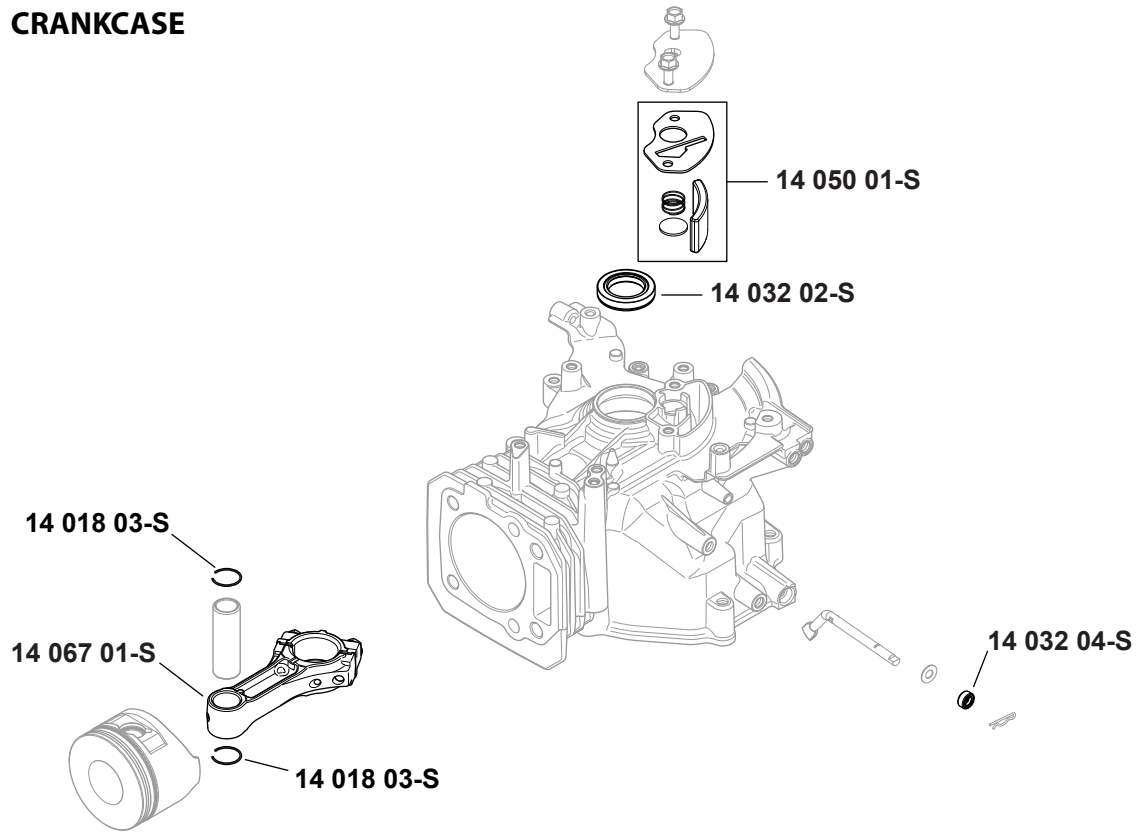


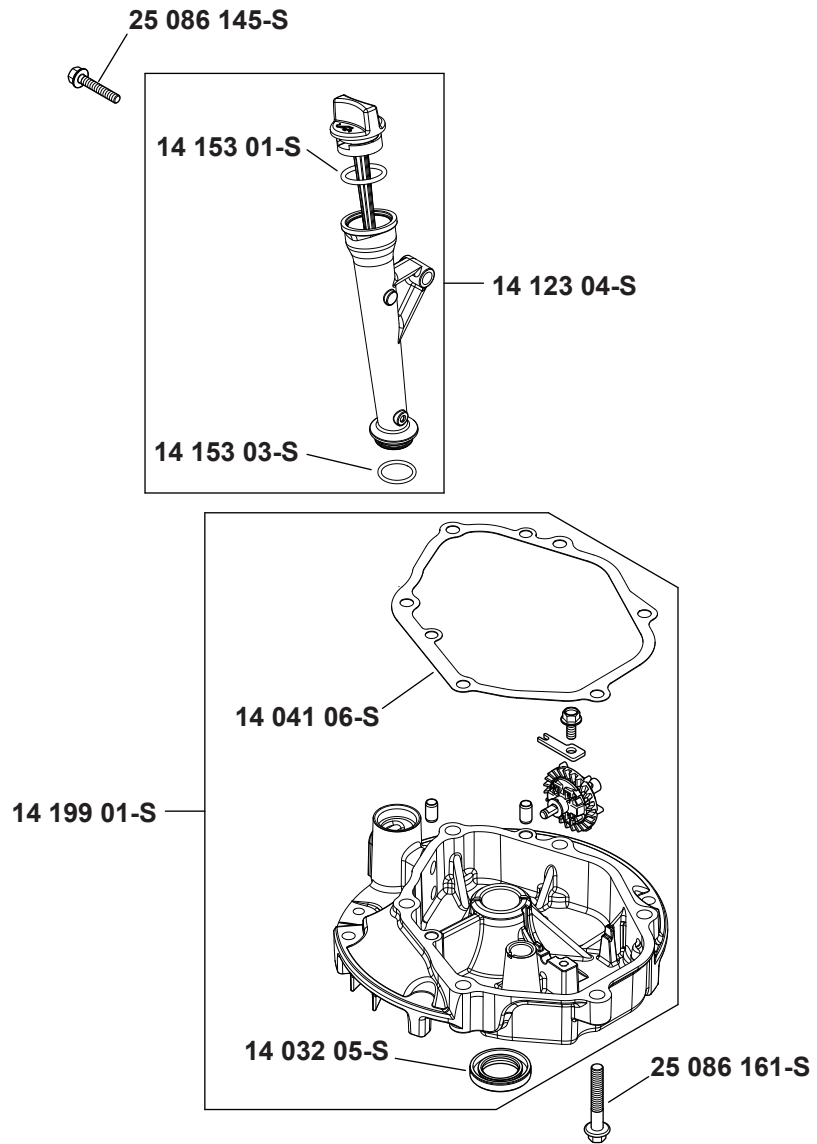
CRANKSHAFT



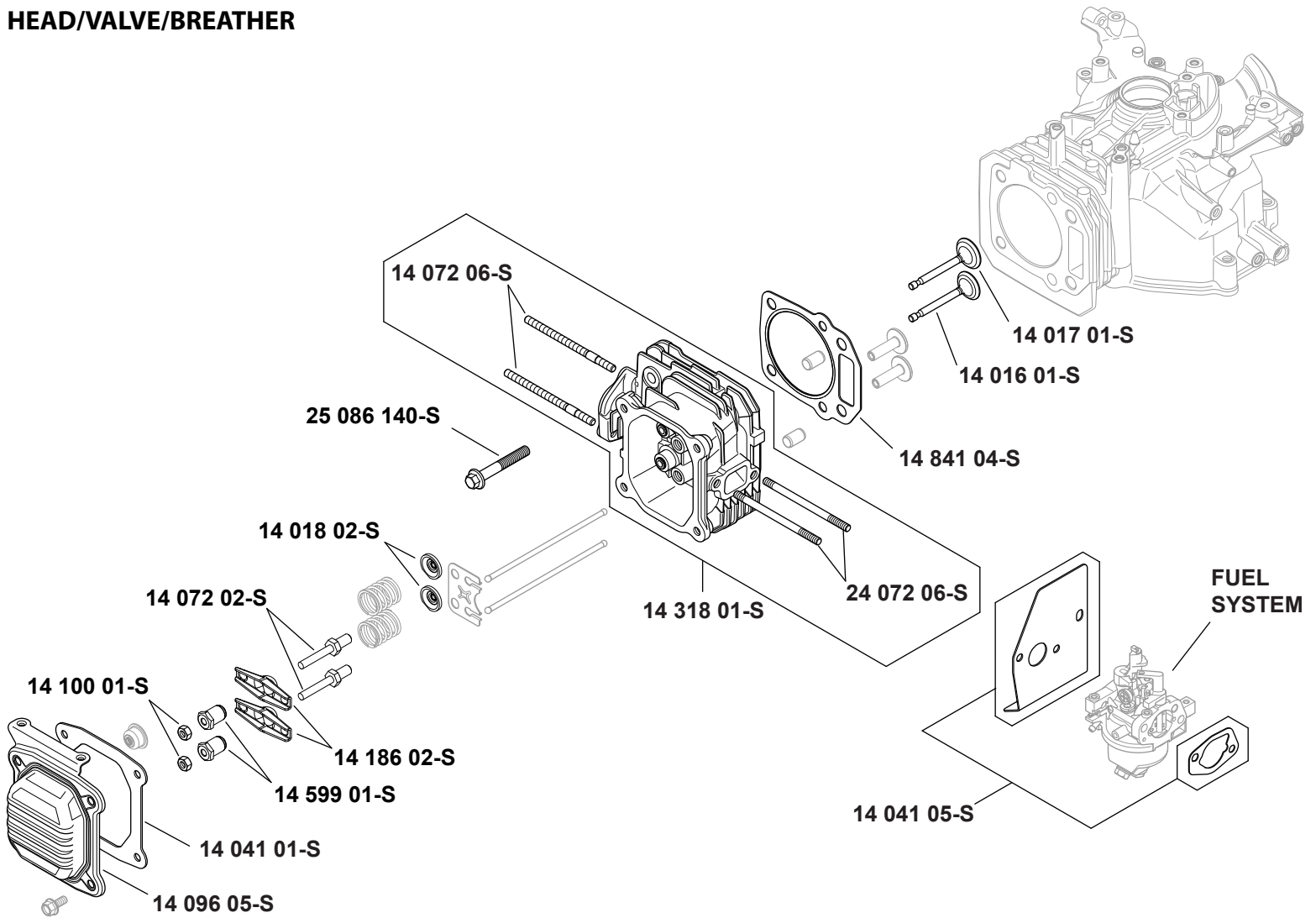
CRANKCASE



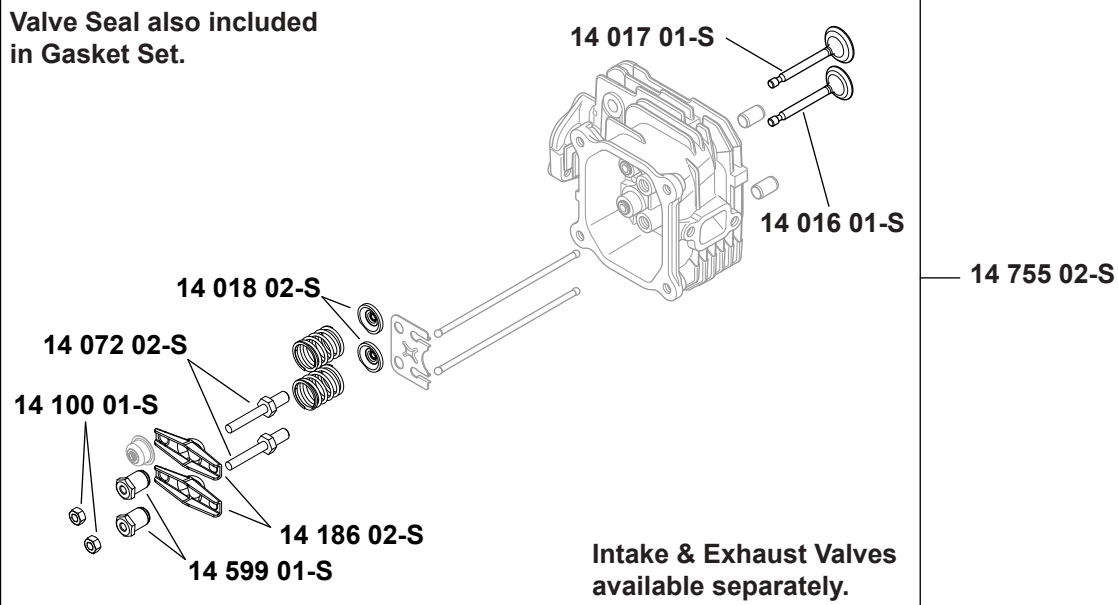
OIL PAN/LUBRICATION



HEAD/VALVE/BREATHER

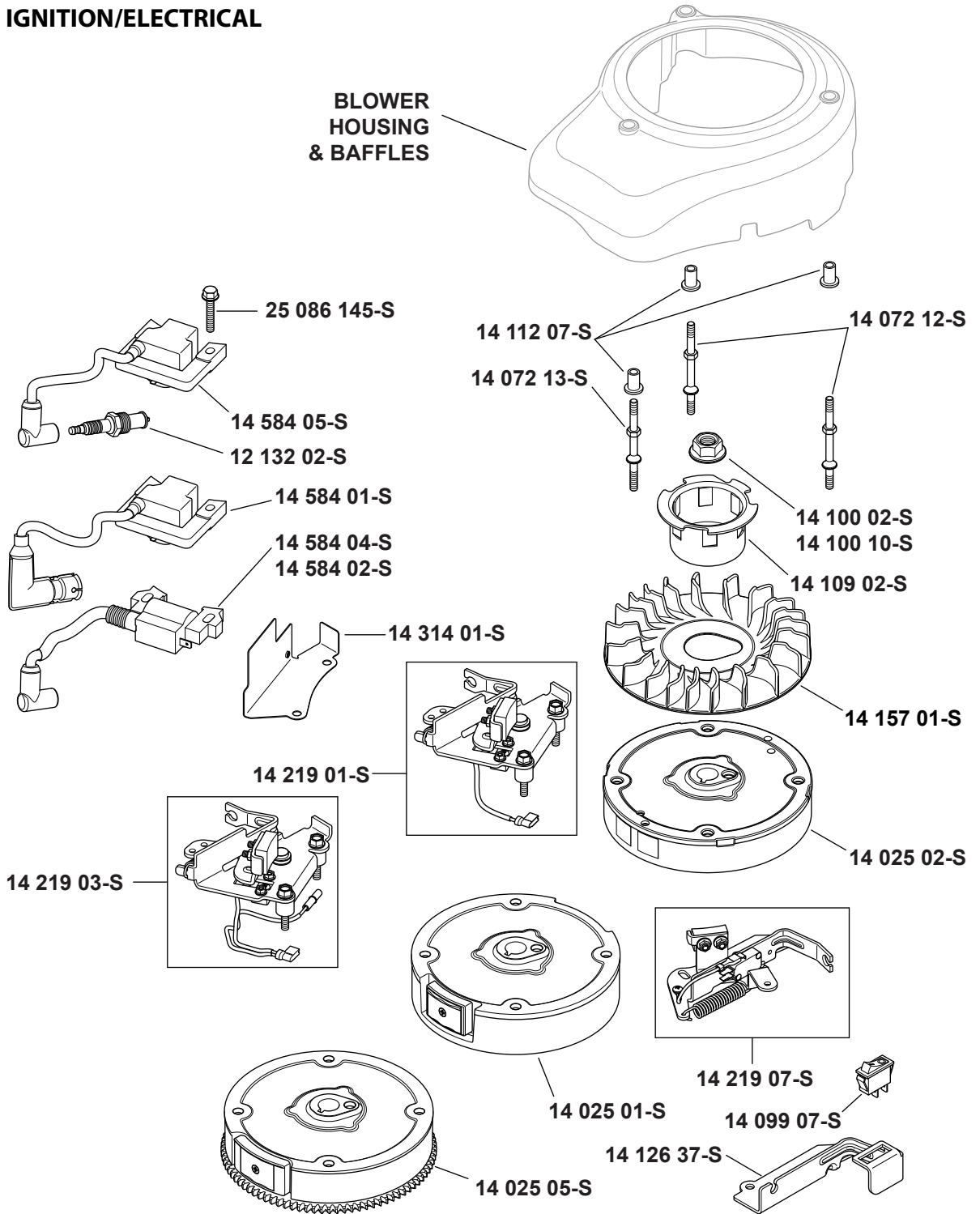


Valve Seal also included
in Gasket Set.

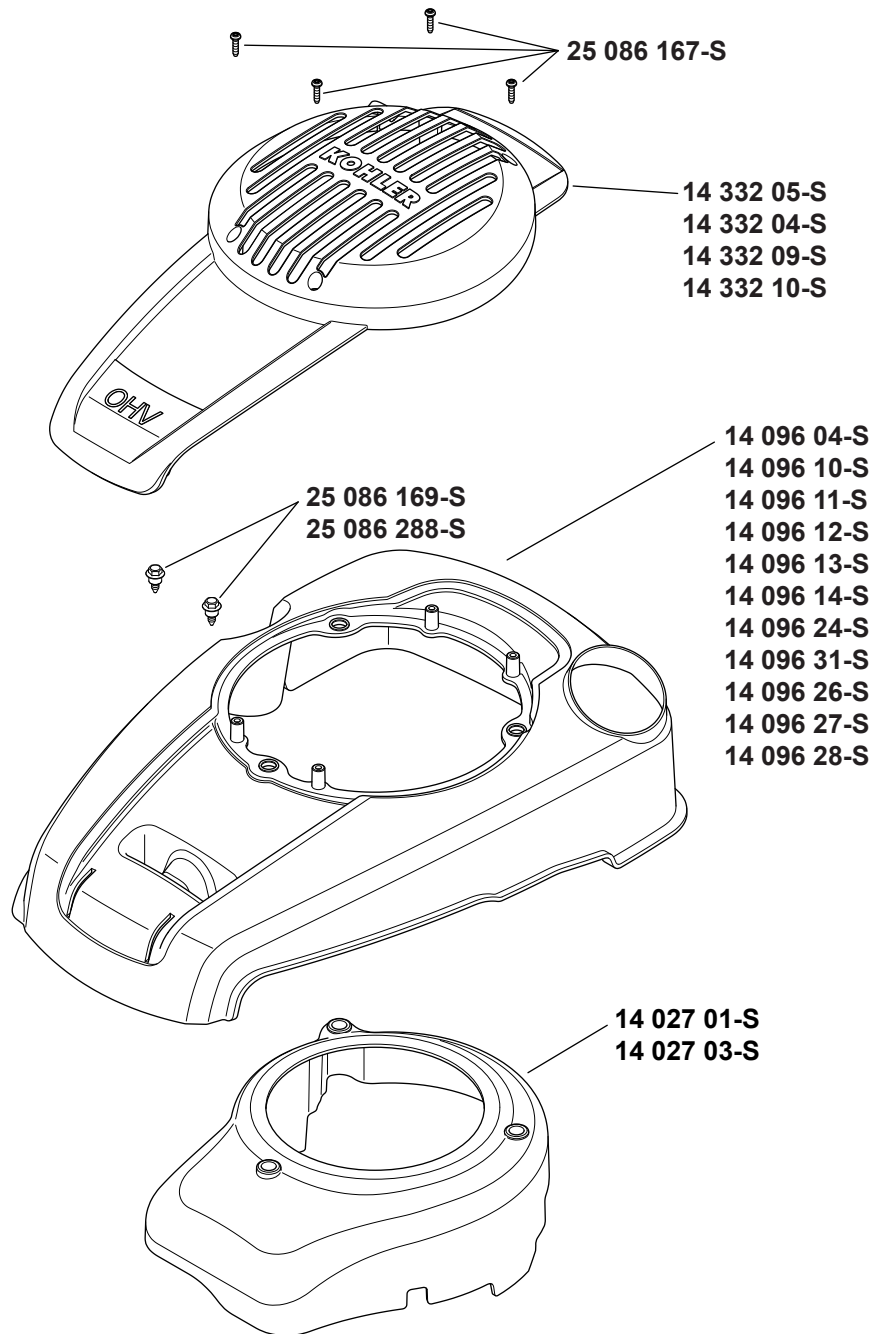


IGNITION/ELECTRICAL

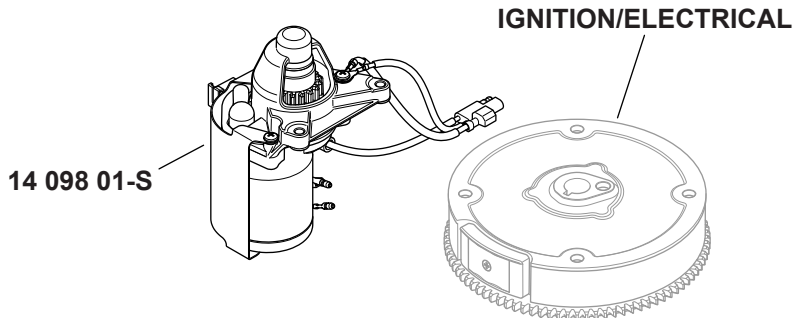
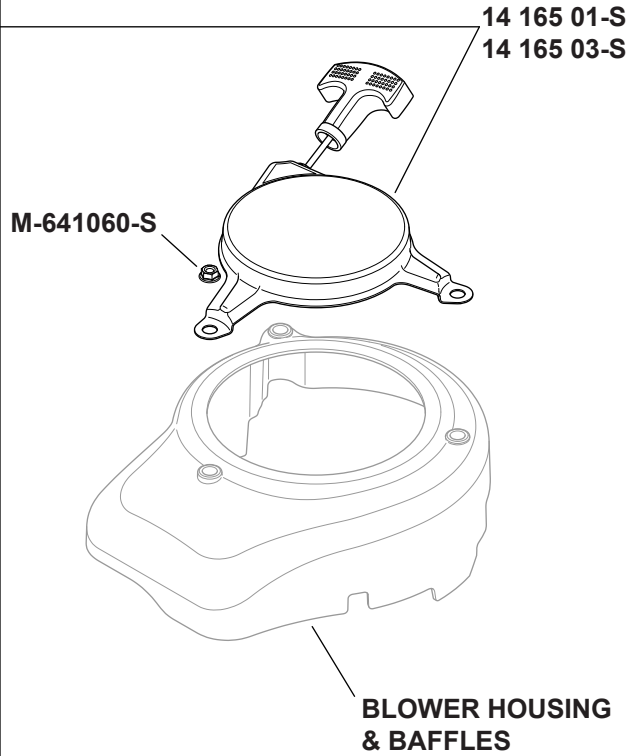
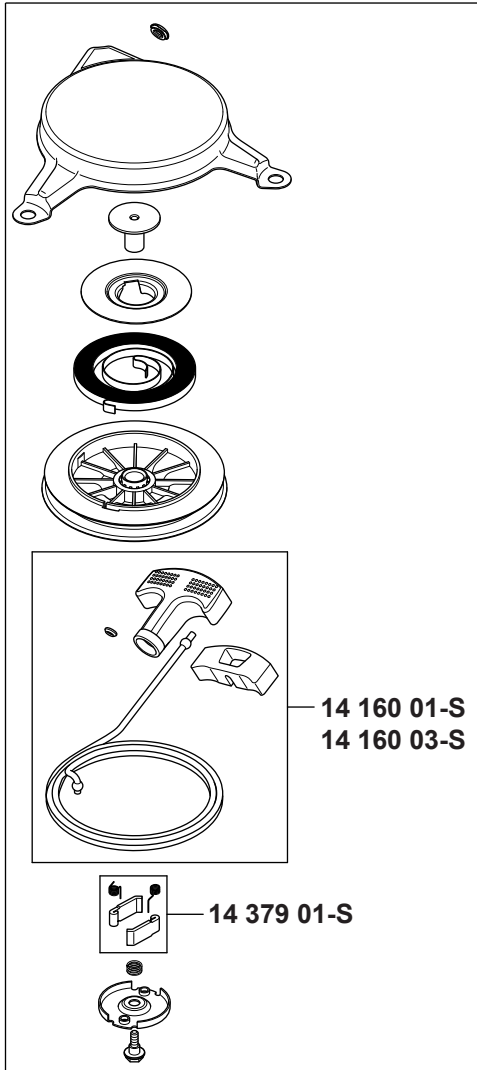
BLOWER HOUSING & BAFFLES



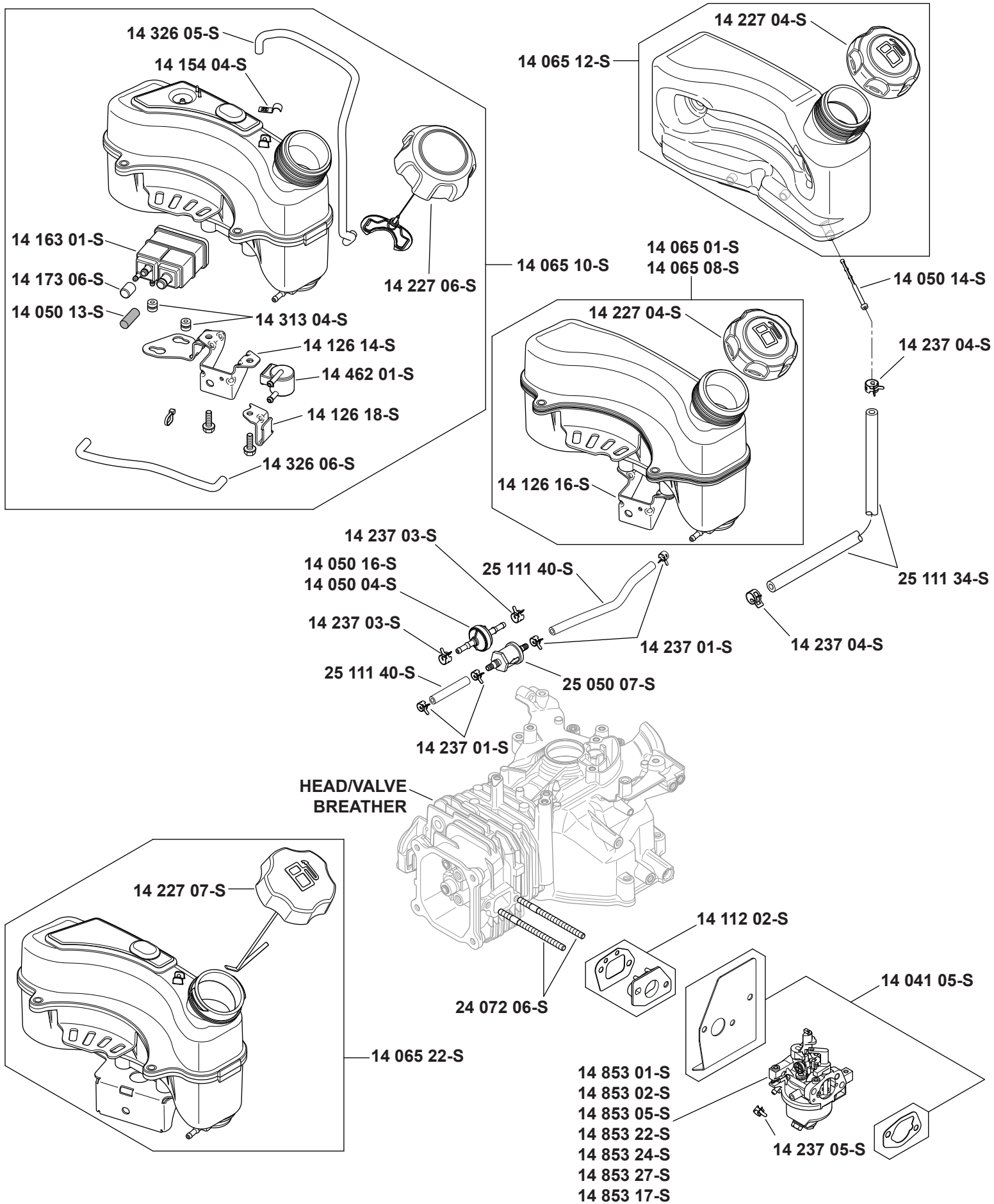
BLOWER HOUSING & BAFFLES



STARTING SYSTEM

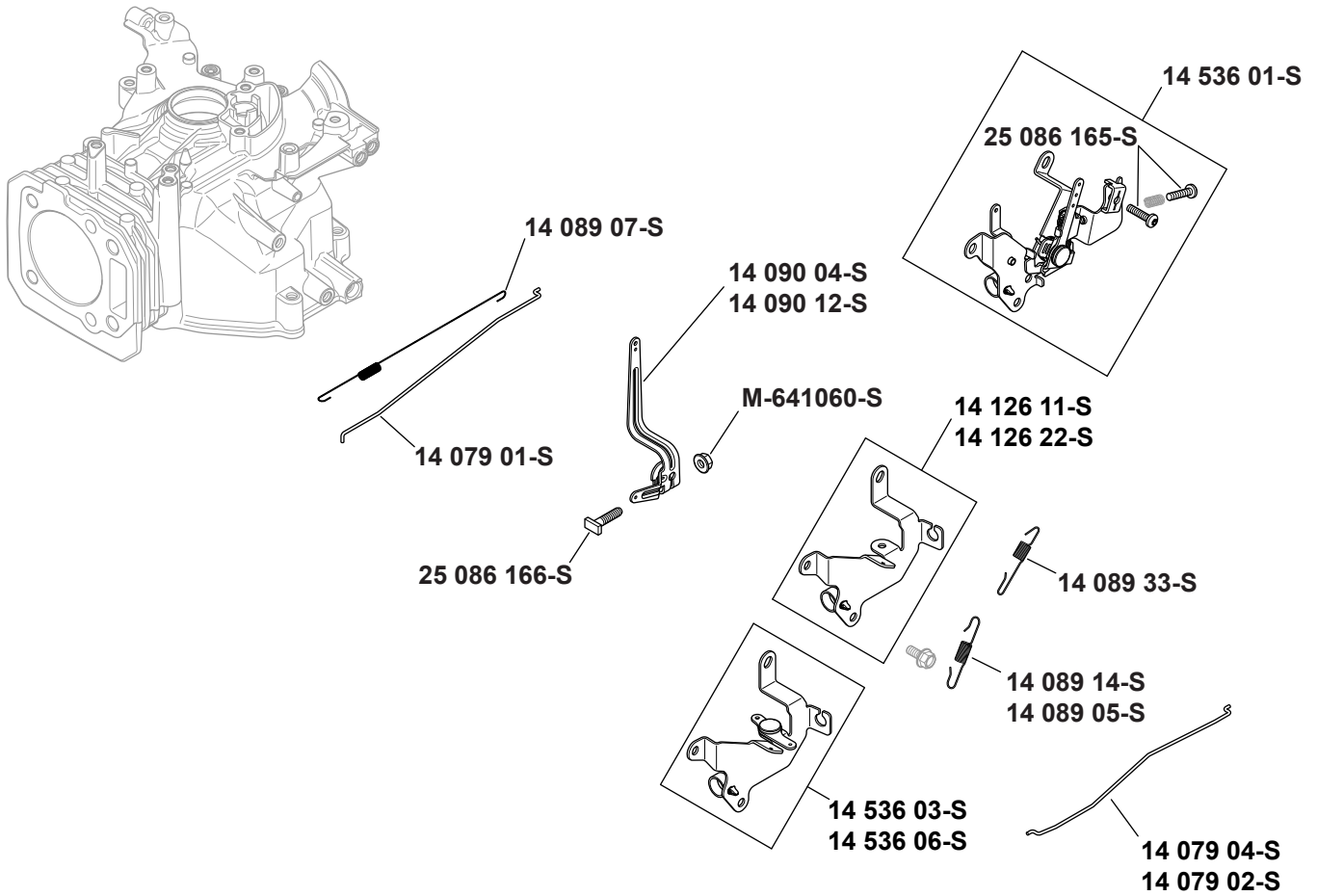


FUEL SYSTEM

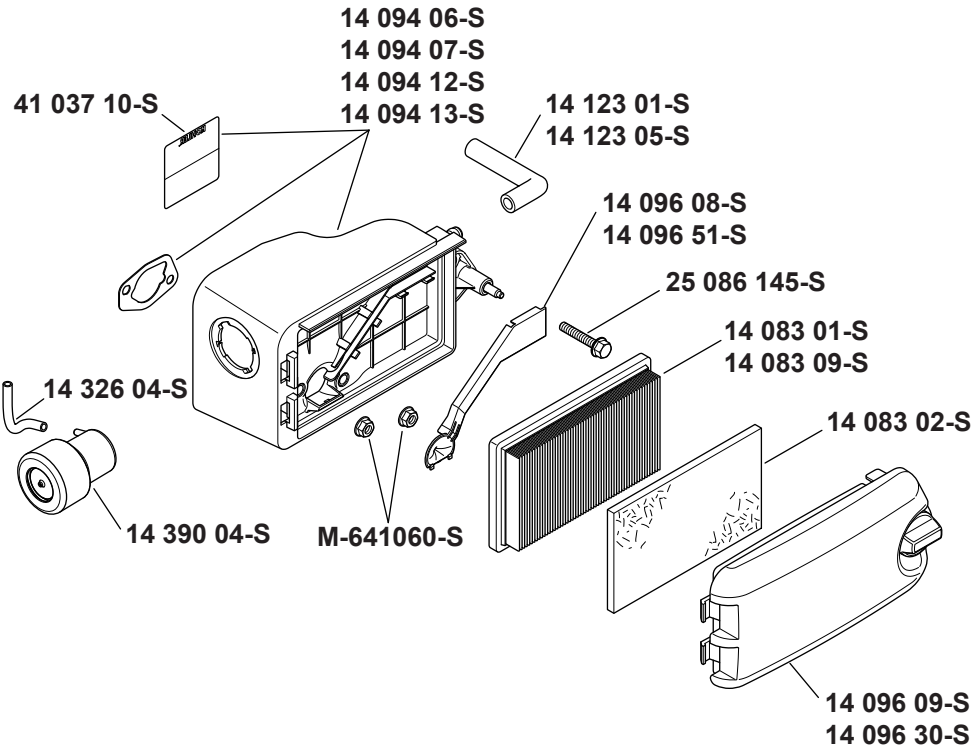


Individual Carburetor Repair Kits are listed by clicking on the notepad under the Carburetor Part Number

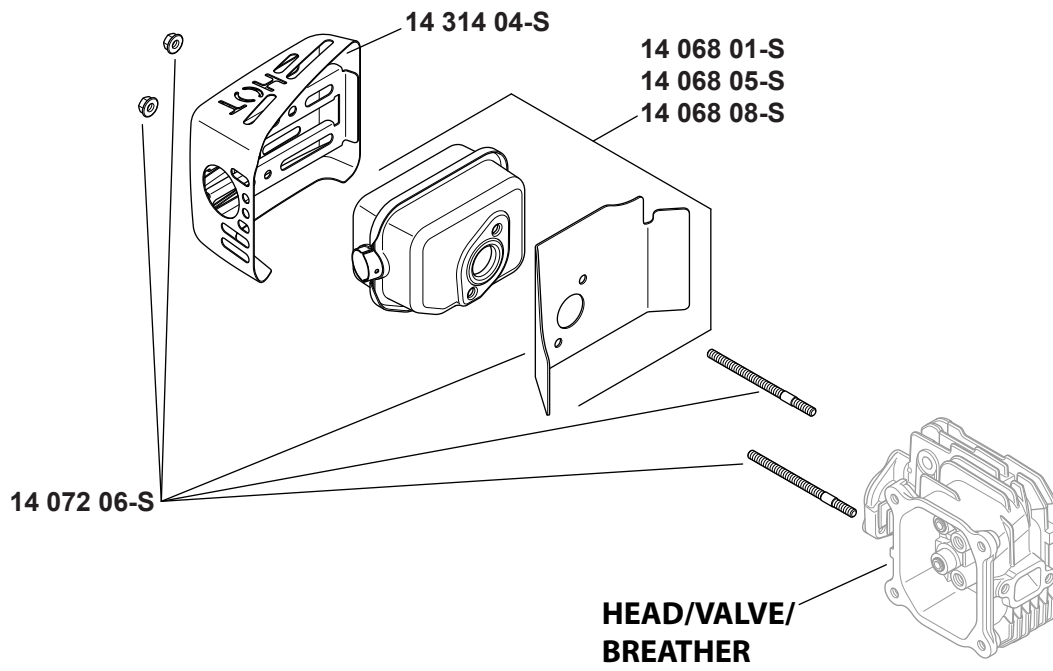
ENGINE CONTROLS



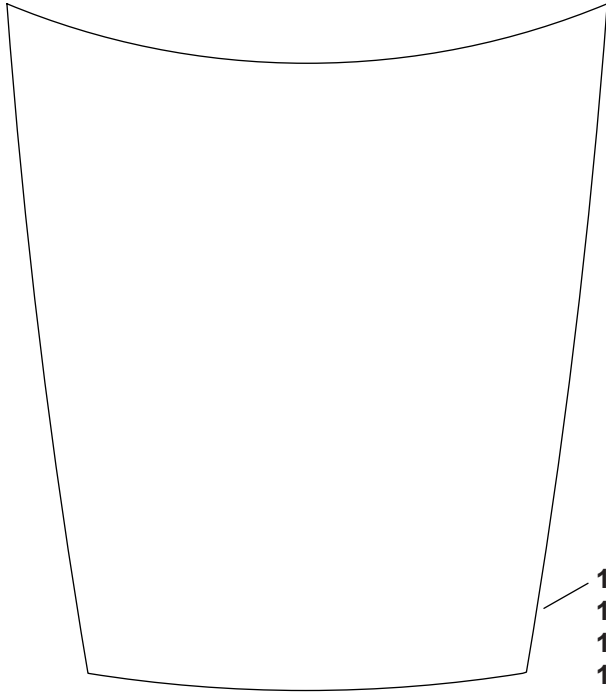
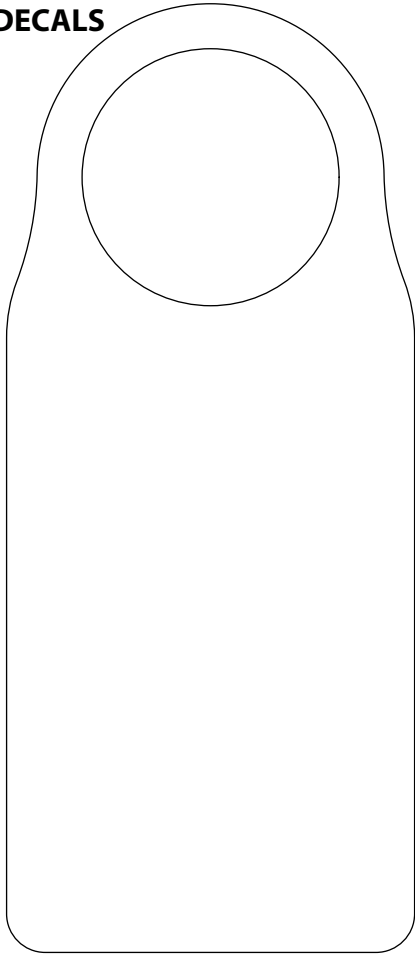
AIR INTAKE/FILTRATION



EXHAUST



DECALS



TBA

14 113 02-S
14 113 07-S
14 113 17-S
14 113 08-S

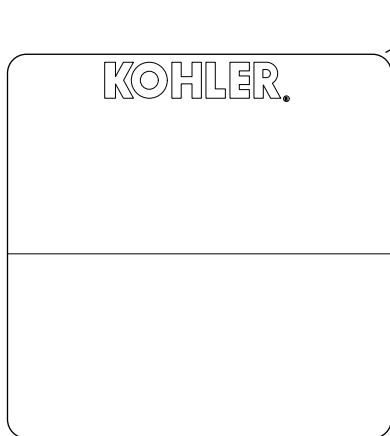
14 113 18-S
14 113 21-S
25 113 58-S



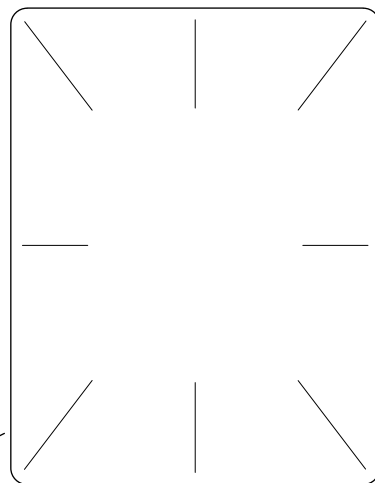
14 113 03-S



14 113 04-S
14 113 20-S
14 113 23-S



41 037 10-S

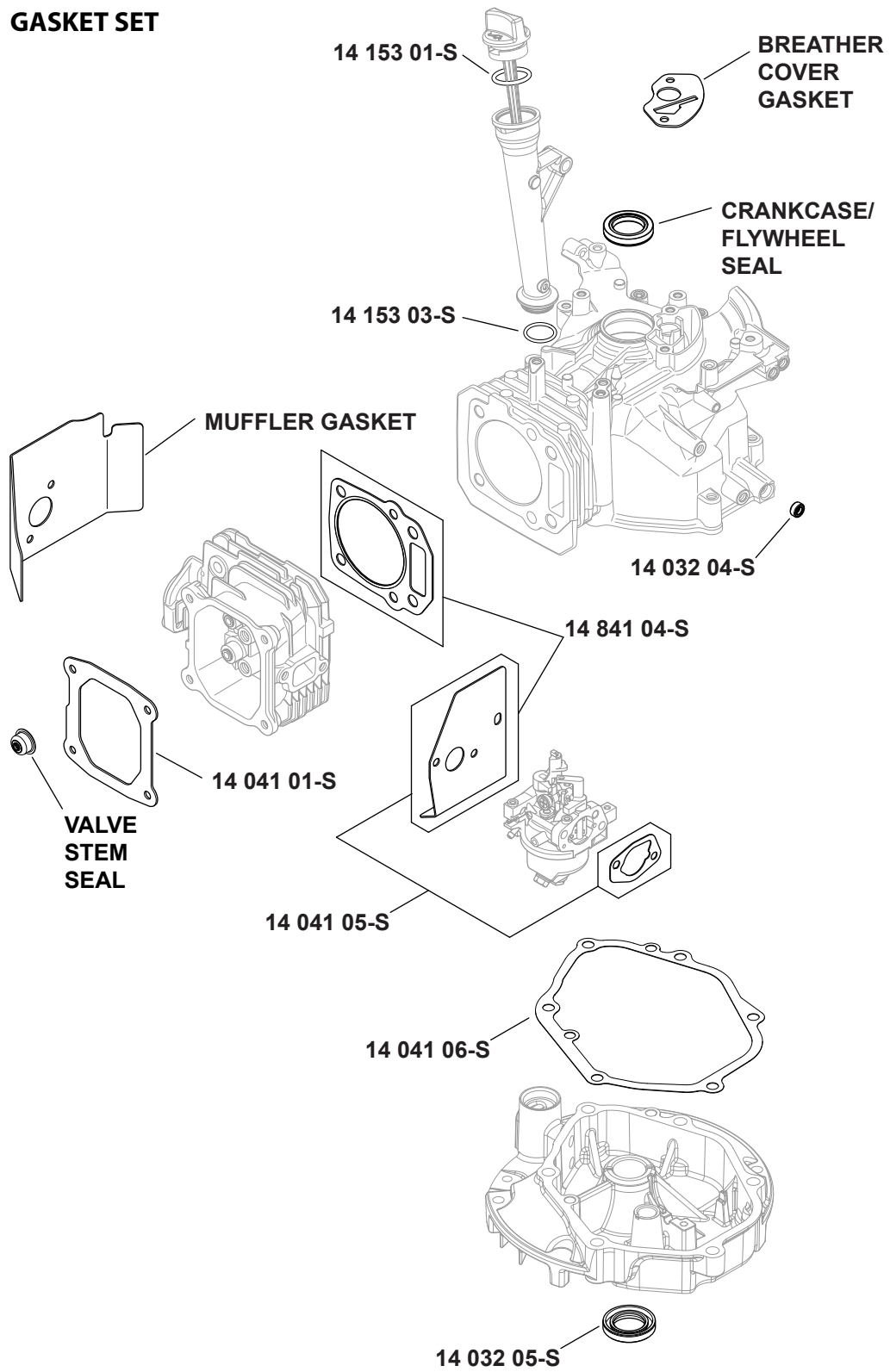


25 113 39-S

TBA-To Be Assigned

Artwork is representative.
Actual labels may differ depending on model and specification number.

GASKET SET



CRANKSHAFT			
	14 014 04-S	1	CRANKSHAFT ASSEMBLY
	14 014 08-S	1	CRANKSHAFT ASSEMBLY
	14 014 10-S	1	CRANKSHAFT ASSEMBLY
	14 014 12-S	1	CRANKSHAFT ASSEMBLY
	14 014 14-S	1	CRANKSHAFT ASSEMBLY
	14 014 24-S	1	CRANKSHAFT ASSEMBLY
	14 014 26-S	1	CRANKSHAFT ASSEMBLY
	14 014 33-S	1	CRANKSHAFT ASSEMBLY
	14 340 01-S	1	KEY, FLYWHEEL
CRANKCASE			
	14 018 03-S	2	RETAINER, PISTON PIN
	14 032 02-S	1	SEAL, OIL
	14 032 04-S	1	SEAL, OIL
	14 050 01-S	1	KIT, BREATHER FILTER (INCLUDES BREATHER COVER GASKET, BREATHER COVER SPRING, BREATHER FILTER, BREATHER REED)
	14 067 01-S	1	CONNECTING ROD
OIL PAN/LUBRICATION			
	14 032 05-S	1	SEAL, OIL (PTO)
	14 041 06-S	1	GASKET, OIL PAN
	14 123 04-S	1	ASSEMBLY, DIPSTICK AND TUBE (INCLUDES 14 153 01-S, 14 153 03-S)
	14 153 01-S	1	O-RING, DIPSTICK
	14 153 03-S	1	O-RING, OIL FILL TUBE
	14 199 01-S	1	KIT, OIL PAN (INCLUDES 14 032 05-S, 14 041 06-S, GOVERNOR GEAR ASSEMBLY, DOWEL PINS)
	25 086 145-S	1	SCREW, HEX FLANGE (M6)
	25 086 161-S	6	SCREW, HEX FLANGE (M8)
HEAD/VALVE/BREATHER			
	14 016 01-S	1	VALVE, EXHAUST
	14 017 01-S	1	VALVE, INTAKE
	14 018 02-S	2	RETAINER, VALVE SPRING
	14 041 01-S	1	GASKET, VALVE COVER
	14 072 02-S	2	STUD, ROCKER ARM
	14 072 06-S	1	KIT, EXHAUST HARDWARE (INCLUDES MUFFLER GASKET, EXHAUST STUDS & FLANGE LOCK NUTS)
	14 096 05-S	1	KIT, VALVE COVER (INCLUDES 14 041 01-S)
	14 100 01-S	2	NUT, HEX JAM
	14 186 02-S	2	ARM, ROCKER
	14 318 01-S	1	KIT, CYLINDER HEAD (INCLUDES 14 072 06-S, 24 072 06-S)
	14 599 01-S	2	PIVOT, ROCKER ARM
	14 755 02-S	1	KIT, VALVE TRAIN (INCLUDES 14 016 01-S, 14 017 01-S, 14 018 02-S, 14 100 01-S, 14 599 01-S, 14 186 02-S, 14 072 02-S, VALVE STEM SEAL, VALVE SPRINGS, PUSH ROD GUIDE PLATE, CYLINDER HEAD DOWELS, PUSH RODS)
	14 841 04-S	1	KIT, HEAD GASKET (INCLUDES 14 041 05-S, MUFFLER GASKET)
	24 072 06-S	2	STUD, M6X1.0X93
	25 086 140-S	4	SCREW, FLG M8X1.25X55
IGNITION/ELECTRICAL			
	14 025 01-S	1	FLYWHEEL (CAST IRON)
	14 025 02-S	1	FLYWHEEL (ALUMINUM)
	14 025 05-S	1	FLYWHEEL ASSEMBLY, ELECTRIC START
	14 072 12-S	2	STUD
	14 072 13-S	1	STUD
	14 099 07-S	1	SWITCH, ROCKER
	14 100 02-S	1	NUT, FLYWHEEL
	14 100 10-S	1	NUT, FLYWHEEL (W/SERRATIONS)
	14 109 02-S	1	CUP, DRIVE
	14 112 07-S	3	SPACER

	14 126 37-S	1	BRACKET, SWITCH
	14 132 03-S	1	SPARK PLUG
	14 157 01-S	1	FAN, FLYWHEEL
	14 219 01-S	1	KIT, FLYWHEEL BRAKE (INCLUDES BRAKE LEVER, BRAKE SPRING, FLANGE NUTS, BRAKE PAD, GROUND TO KILL LEADS, SCREWS, SWITCH INSULATORS, BRAKE SWITCH CONTACT, BRAKE SPACER, BRAKE BRACKET, FLANGE SCREW, BRAKE LEVER SCREW, NYLON FLATWASHER)
	14 219 03-S	1	BRAKE ASSEMBLY, EXHAUST SIDE (INCLUDES BRAKE LEVER, BRAKE SPRING, FLANGE NUTS, BRAKE PAD, SCREWS, SWITCH INSULATORS, BRAKE SWITCH CONTACT, BRAKE SPACER, BRAKE BRACKET, FLANGE SCREW, BRAKE LEVER SCREW, NYLON FLATWASHER, IGNITION KILL LEAD)
	14 219 07-S	1	BRAKE ASSEMBLY, CARB SIDE (INCLUDES BRAKE LEVER, BRAKE SPRING, FLANGE NUTS, BRAKE PAD, GROUND TO KILL LEAD, SCREW, KILL SWITCH, BRAKE BRACKET, BRAKE LEVER WASHER, BRAKE LEVER RIVET)
	14 314 01-S	1	GUARD
	14 584 01-S	1	MODULE, IGN (ALUM W/RFI)
	14 584 04-S	1	MODULE, IGN (CAST IRON, STD IGN)
	14 584 05-S	1	MODULE, IGN (ALUM STD IGN)
	25 086 145-S	1	SCREW, HEX FLANGE (M6)
BLOWER HOUSING & BAFFLES			
	14 027 01-S	1	HOUSING, BLOWER
	14 027 03-S	1	HOUSING, BLOWER W/ELEC START
	14 096 04-S	1	COVER, ENGINE (FLAT BLACK)
	14 096 10-S	1	COVER, ENGINE (TORO RED)
	14 096 11-S	1	COVER, ENGINE (LAWN BOY GREEN)
	14 096 12-S	1	COVER, ENGINE (BLACK)
	14 096 13-S	1	COVER, ENGINE (GRAY)
	14 096 14-S	1	COVER, ENGINE (FLAT GREY)
	14 096 24-S	1	COVER, ENGINE (GRAY GLOSS)
	14 096 26-S	1	COVER, ENGINE (BLACK)
	14 096 27-S	1	COVER, ENGINE (BLACK)
	14 096 28-S	1	COVER, ENGINE (COOL GRAY)
	14 096 31-S	1	COVER, ENGINE (CRAFTSMAN RED)
	14 332 04-S	1	INSERT, ENGINE COVER (BLACK)
	14 332 05-S	1	INSERT, ENGINE COVER (LOW PROFILE)
	14 332 09-S	1	INSERT, ENGINE COVER (GRAY)
	14 332 10-S	1	INSERT, ENGINE COVER
	25 086 167-S	4	SCREW,#15 6-LOBE PAN HD(HI-LO)
	25 086 169-S	2	SCREW, SHOULDER (M5)
	25 086 288-S	2	SCREW, SHOULDER (M5)
STARTING SYSTEM			
	14 098 01-S	1	STARTER ASSEMBLY
	14 160 01-S	1	KIT, STARTER ROPE W/HANDLE (INCLUDES COIL STARTER ROPE, RECOIL STARTER HANDLE, RECOIL STARTER HANDLE RETAINER, RECOIL ROPE RETAINER)
	14 160 03-S	1	KIT, STARTER ROPE W/HANDLE (INCLUDES COIL STARTER ROPE, RECOIL STARTER HANDLE, RECOIL STARTER HANDLE RETAINER, RECOIL ROPE RETAINER)
	14 165 01-S	1	STARTER, RECOIL (INCLUDES 14 160 01-S, 14 379 01-S, RECOIL HOUSING, RECOIL BUSHING, RECOIL GUIDE PLATE, RECOIL SPRINGS, RECOIL PULLEY, RECOIL RETAINER PLATE, RECOIL SHOULDER SCREW)
	14 165 03-S	1	STARTER, RECOIL (INCLUDES 14 160 03-S, 14 379 01-S, RECOIL HOUSING, RECOIL BUSHING, RECOIL GUIDE PLATE, RECOIL SPRINGS, RECOIL PULLEY, RECOIL RETAINER PLATE, RECOIL SHOULDER SCREW)

	14 379 01-S	1	KIT, PAWL REPAIR (INCLUDES RECOIL SPRINGS, RECOIL STARTER PAWLS)
	M-641060-S	3	NUT, FLG M6X1.0
FUEL SYSTEM			
	14 041 05-S	1	KIT, CARB GASKET (INCLUDES CARBURETOR HEAT SHIELD GASKET, AIR CLEANER BASE GASKET)
	14 050 04-S	1	FILTER, FUEL
	14 050 13-S	1	FILTER, FOAM
	14 050 14-S	1	FILTER, FUEL IN-NIPPLE
	14 050 16-S	1	FILTER, FUEL
	14 065 01-S	1	KIT, FUEL TANK (INCLUDES 14 227 04-S, 14 126 16-S)
	14 065 08-S	1	KIT, FUEL TANK ASSY (XENOY) (INCLUDES 14 227 04-S, 14 126 16-S)
	14 065 10-S	1	TANK ASSEMBLY, FUEL (EVAP) (INCLUDES 14 227 06-S, 14 326 05-S, 14 154 04-S, 14 163 01-S, 14 173 06-S, 14 050 13-S, 14 313 04-S, 14 126 14-S, 14 462 01-S, 14 126 18-S, 14 326 06-S)
	14 065 12-S	1	KIT, FUEL TANK (INCLUDES 5)
	14 065 22-S	1	TANK ASSEMBLY, FUEL (EVAP) (INCLUDES 14 227 07-S)
	14 112 02-S	1	KIT, SPACER W/GASKET
	14 126 14-S	1	BRACKET ASSEMBLY
	14 126 16-S	1	BRACKET, FUEL TANK (LOWER)
	14 126 18-S	1	BRACKET, ROLLOVER VALVE
	14 154 04-S	1	CLIP, HALF
	14 163 01-S	1	CANISTER, CARBON
	14 173 06-S	1	CAP, PORT
	14 227 04-S	1	CAP, FUEL ASSY.
	14 227 06-S	1	CAP ASSY, FUEL (EVAP, TETHER)
	14 227 07-S	1	CAP ASSY, FUEL (EVAP CANISTER)
	14 237 01-S	2 or 4	CLAMP, FUEL LINE
	14 237 03-S	2	CLAMP, HOSE
	14 237 04-S	2	CLAMP, HOSE
	14 237 05-S	2	CLAMP, HOSE
	14 313 04-S	2	GROMMET
	14 326 05-S	1	HOSE, EVAPORATIVE
	14 326 06-S	1	HOSE, EVAPORATIVE
	14 462 01-S	1	VALVE, ROLLOVER
	14 853 01-S	1	KIT, CARB (PRIMER) W/GASKETS (INCLUDES 14 041 05-S)
	14 853 02-S	1	KIT, CARB (CHOKE) W/GASKETS (INCLUDES 14 041 05-S)
	14 853 05-S	1	KIT, CARB (PRIMER) W/GASKETS (INCLUDES 14 041 05-S)
	14 853 22-S	1	KIT, CARBURETOR W/GASKETS (INCLUDES 14 041 05-S)
	14 853 24-S	1	KIT, CARBURETOR W/GASKETS (INCLUDES 14 041 05-S)
	14 853 27-S	1	KIT, CARBURETOR W/GASKETS (INCLUDES 14 041 05-S)
	24 072 06-S	2	STUD, M6X1.0X93
	25 050 07-S	1	FILTER, FUEL
	25 111 34-S	1	LINE, FUEL (24"-CUT TO LENGTH)
	25 111 40-S	2	LINE, FUEL (10"-CUT TO LENGTH)
	14 853 17-S	1	KIT, CARBURETOR W/GASKETS (INCLUDES 14 041 05-S)
NOT ILLUSTRATED	14 755 03-S	1	JET, HIGH ALTITUDE (>4000 FT) (Services 14 853 01-S)
	14 755 04-S	1	JET, HIGH ALTITUDE (>4000 FT) (Services 14 853 02-S)
	14 757 01-S	1	KIT, CARBURETOR REPAIR (INCLUDES 14 041 05-S)
ENGINE CONTROLS			
	14 079 01-S	1	LINKAGE, GOVERNOR
	14 079 02-S	1	LINKAGE, CHOKE
	14 079 04-S	1	LINKAGE, CHOKE (FIXED SPEED)
	14 089 05-S	1	SPRING, GOV (3301-3800 RPM)
	14 089 07-S	1	SPRING, LINKAGE
	14 089 14-S	1	SPRING, GOV (2800-3300 RPM)
	14 089 33-S	1	SPRING, GOVERNOR
	14 090 04-S	1	LEVER, GOVERNOR
	14 090 12-S	1	LEVER, GOVERNOR

	14 126 11-S	1	BRACKET, CONTROL (FIXED SPEED)
	14 126 22-S	1	CONTROL ASSEMBLY, FIXED SPEED
	14 536 01-S	1	CONTROL ASSEMBLY (VAR. SPEED) (INCLUDES 25 086 165-S)
	14 536 03-S	1	CONTROL ASSY (FIXED SPEED)
	14 536 06-S	1	CONTROL ASSY (FIXED SPEED)
	25 086 165-S	2	SCREW, #25 6-LOBE PAN HD (M5)
	25 086 166-S	1	SCREW, RETANGLE HEAD (M6)
	M-641060-S	1	NUT, FLG M6X1.0
AIR INTAKE/FILTRATION			
	14 083 01-S	1	ELEMENT, AIR CLEANER
	14 083 02-S	1	ELEMENT, PRE-CLEANER
	14 083 09-S	1	ELEMENT, FOAM FILTER
	14 094 06-S	1	KIT, AIR CLEANER BASE (PRIMER) (INCLUDES 41 037 10-S, AIR CLEANER BASE GASKET)
	14 094 07-S	1	KIT, AIR CLEANER BASE (MAN. CHOKE) (INCLUDES 41 037 10-S, AIR CLEANER BASE GASKET)
	14 094 12-S	1	KIT, AIR CLEANER BASE (INCLUDES 41 037 10-S, AIR CLEANER BASE GASKET)
	14 094 13-S	1	KIT, AIR CLEANER BASE (PRIMER) (INCLUDES 41 037 10-S, AIR CLEANER BASE GASKET)
	14 096 08-S	1	COVER, A/C BASE (BREATHER GAS)
	14 096 09-S	1	KIT, AIR CLEANER COVER
	14 096 30-S		KIT, AIR CLEANER COVER
	14 096 51-S	1	COVER, A/C BASE (BREATHER GAS)
	14 123 01-S	1	HOSE, BREATHER
	14 123 05-S	1	HOSE, BREATHER
	14 326 04-S	1	HOSE, PRIMER
	14 390 04-S	1	KIT, PRIMER ASSEMBLY (EVAP) (INCLUDES AIR CLEANER BASE GASKET)
	25 086 145-S	1	SCREW, HEX FLANGE (M6)
	M-641060-S	2	NUT, FLG M6X1.0
EXHAUST			
	14 068 01-S	1	KIT, MUFFLER (INCLUDES MUFFLER GASKET)
	14 068 05-S	1	KIT, MUFFLER (INCLUDES MUFFLER GASKET)
	14 072 06-S	1	KIT, EXHAUST HARDWARE (INCLUDES MUFFLER GASKET, EXHAUST STUDS & FLANGE LOCK NUTS)
	14 314 04-S	1	SHIELD, MUFFLER
DECALS			
	14 113 02-S	1	DECAL, NAME (XT-7)
	14 113 03-S	1	DECAL, WARNING
	14 113 04-S	1	DECAL, PRIMER
	14 113 07-S	1	DECAL, NAME (ARIENS)
	25 113 39-S	1	DECAL, CLEAR LAMINATE
	25 113 58-S	1	DECAL, POWERED BY KOHLER
	41 037 10-S	1	NAMEPLATE, SERVICE
	TBA	1	TAG, MAINTENANCE HANG
GASKET SET			
	14 032 04-S	1	SEAL, OIL
	14 032 05-S	1	SEAL, OIL (PTO)
	14 041 01-S	1	GASKET, VALVE COVER
	14 041 05-S	1	KIT, CARB GASKET (INCLUDES CARBURETOR HEAT SHIELD GASKET, AIR CLEANER BASE GASKET)
	14 041 06-S	1	GASKET, OIL PAN
	14 153 01-S	1	O-RING, DIPSTICK
	14 153 03-S	1	O-RING, OIL FILL TUBE
	14 755 01-S	1	GASKET SET (INCLUDES 14 032 04-S, 14 032 05-S, 14 041 01-S, 14 041 05-S, 14 041 06-S, 14 153 01-S, 14 153 03-S, 14 841 04-S, MUFFLER GASKET, BREATHER COVER GASKET, VALVE STEM SEAL, CRANKCASE/FLYWHEEL SEAL)

	14 841 04-S	1	KIT, HEAD GASKET (INCLUDES 14 041 05-S, MUFFLER GASKET)
--	-------------	---	---------------------------------------------------------