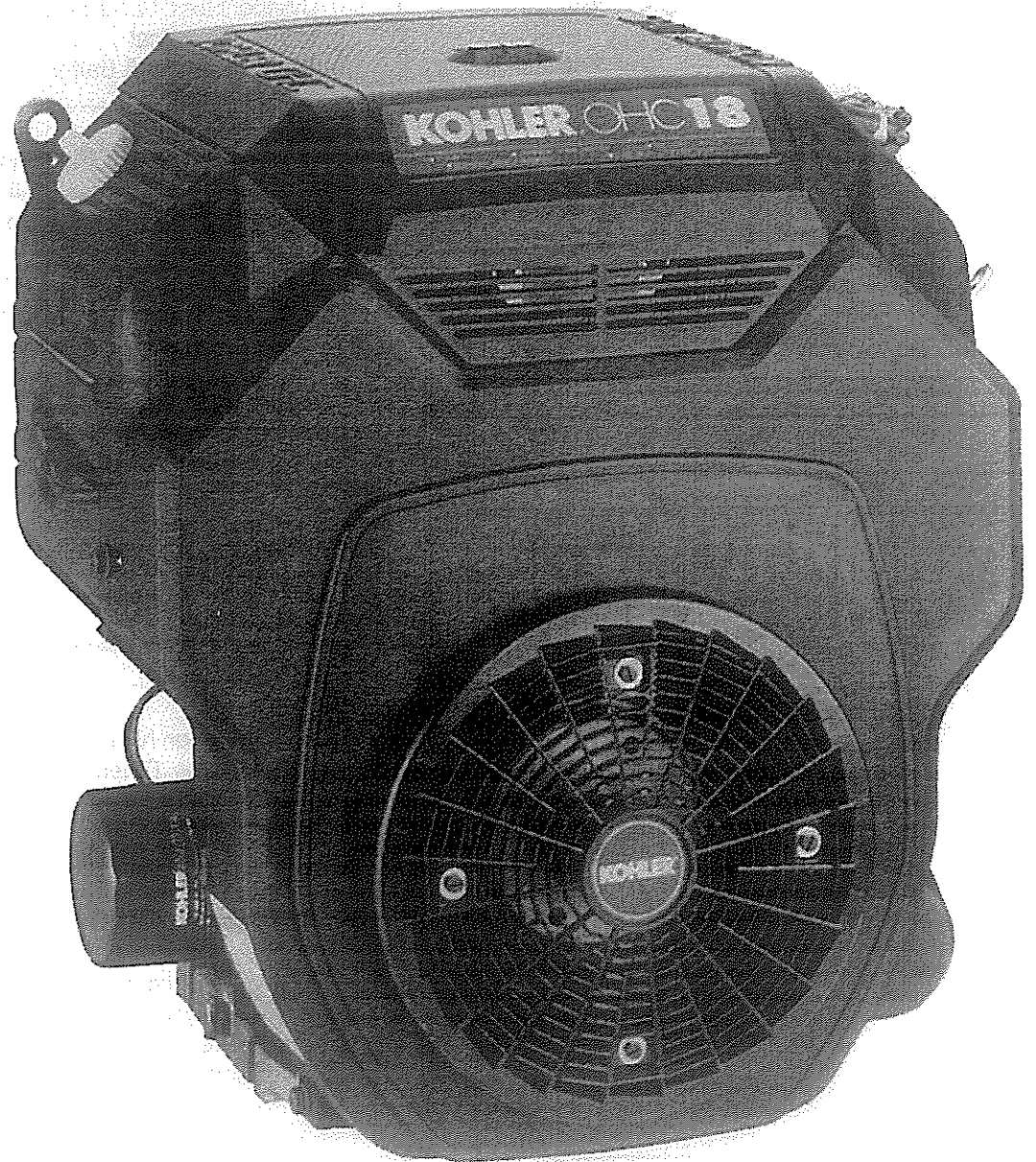


OHC 16, 18 HP

HORIZONTAL CRANKSHAFT

TH16 Specs. 52500 – 52532

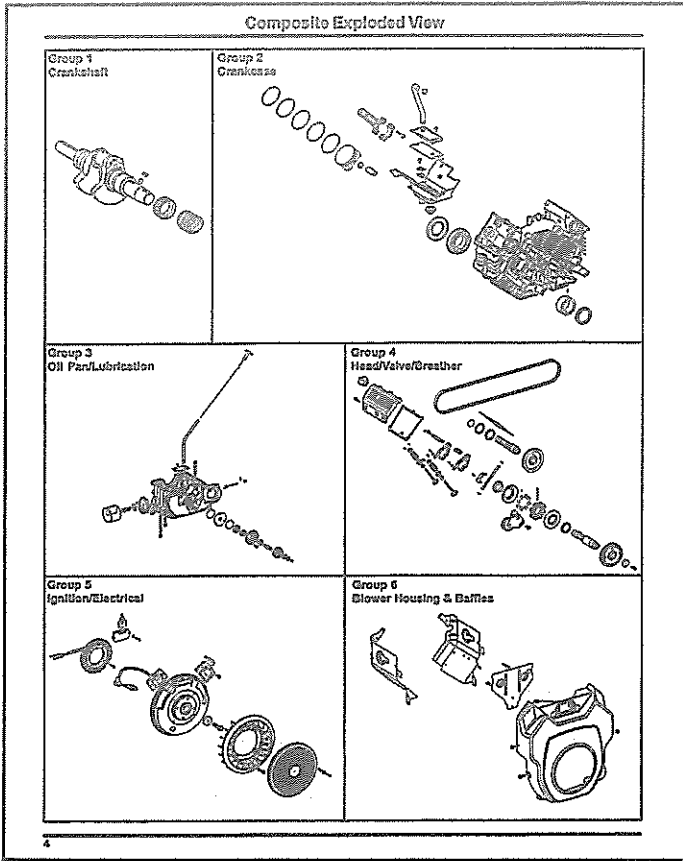
TH18 Specs. 54501 – 54526



KOHLER
engines

**BORN
TO RUN™**

How To Find Part Numbers



1. Turn the page of the parts manual to the "Composite Exploded View." Notice the boxed groupings identified by their function along with a corresponding number. The group function and number applies to all engine models.

For example:

Function (Group Description)	Group Number
Crankshaft	1
Crankcase	2
Oil Pan/Lubrication	3
Cylinder Head/Valve/Breather	4
Ignition/Electrical	5
Blower Housing & Baffles	6
Starting System	7

Remember the Group Number in which you located your part. (If the part you need is not illustrated, locate a major engine function related to your part and use that Group Number.)

Example: You need a lower crankcase for TH18, Spec. No. 52500. The lower crankcase is found in Group 3.

2. Now turn to the page titled "Specification Number Index." When scanning this page, you'll notice:

- a. Page Numbers indexing where Group Parts are listed (for Group 3 the listing begins on page 10).
- b. Specification Numbers listed vertically down the first column.
- c. "Variation Numbers" in the Group Number columns. (These numbers specifically identify a particular group [combination] of parts used in a particular spec. – and are used to locate the specific part numbers.)

Locate your Specification Number in the first column. Go across the page to the Group Number column for your part. Jot down the Variation Number found in that column. For our example (Spec. No. 52500), the Variation Number under Group 3 is "2".

Specification Number Index												
Group Title & Number	Crankshaft		Crankcase		Oil Pan/Lubrication		Head/Valve/Breather		Ignition/Electrical		Blower Housing & Baffles	
	1	2	3	4	5	6	7	8	9	10	11	
Page No.	7	8	10	14								
Grid No.	A7	A8	A10	A14								
Spec. No.												
52500	1	1	2	7								
52501	1	1	101	1								
52502	1	1	1	7								
52503	1	1	1	7								
52504	3	101	3	14								
52505	4	1	3	6								
52507	1	1	102	1								
52509	9	1	105	2								
52512	1	1	104	1								
52513	2	1	101	2								
52516	1	1	104	1	3	101	1	1	1	101	1	
52518	1	4	8	1	12	11	1	8	18	7	4	101
52519	1	1	101	2	7	5	1	2	2	7	2	15
52520	1	1	102	2	14	5	1	2	13	2	2	7
52521	12	1	111	1	22	101	1	1	14	2	2	9
52524	1	1	103	1	3	1	1	1	7	101	1	
52526	17	1	111	1	21	10	1	1	9	101	3	
52527	18	16	16	1	100	12	1	1	1	6	6	
52529	17	16	4	1	23	10	1	1	9	1	6	
52530	17				27	10	1	1	6	1	6	
52531	10											
52532	17											
54501	6											
54502	5	2	5	7	2	2	2	7	7	2	1	
54503	7	5	5	7	2	2	2	7	7	2	1	
54504	6	5	105	3	3	101	1	5	22	101	1	
54505	6	2	7	6	11	6	2	5	7	1	1	
54507	6	2	5	1	17	1	1	10	1	5	1	
54510	11	2	9	4	13	9	1	21	15	102	6	
54511	11	2	6	1	13	10	1	21	15	101	6	
54512	5	2	105	2	7	5	1	7	7	2	1	
54513	5	2	153	2	7	5	1	7	7	2	1	
54514	5	2	153	2	7	5	1	7	7	2	1	
54515	5	2	153	2	7	5	1	7	7	2	1	
54516	5	2	153	2	7	5	1	7	7	2	1	
54517	10	2	109	1	3	101	1	5	7	101	1	
54518	10	2	109	1	20	101	1	5	7	101	6	
54519	10	2	110	1	23	5	1	5	17	101	13	
54519	10	2	110	1	23	5	1	5	17	101	13	
54519	10	2	110	1	23	5	1	5	17	101	13	
54524	5	2	107	2	17	5	1	7	21	2	10	
54524	5	2	107	2	17	5	1	7	21	2	10	
54525	10	2	18	1	100	1	1	5	9	101	12	
54525	10	2	14	3	23	6	1	5	15	101	100	

Contact your Kohler engine parts supplier for any specification not listed.

For Short Blocks and Replacement Engines refer to Selection Guide TP-2422.

How To Find Part Numbers

TH16 & TH18

**Group 3
Oil Pan/Lubrication**

Ind. Number	Part Description	Part Number
6	Crankcase, lower - assembly (Includes 3,4,7-10, and 28 561 08-S which is replaced by 28 561 13-S) 1,2,3,4,5,7,14,15,16,17,18,103,110 28 561 13-S	28 561 13-S (1,2,5,7,10,103,107,108,109,107,108, 109,110,111
3	Screw, torx countersunk hd. M5x0.6x7 (7)	23 123 01-S
4	Screen, oil pick-up 1,2,3,4,5,6,7,8,9,14,15,16,17,18, 101,102,103,104,105,106,107,108, 109,110,111	M-563018-S 23 182 01-S

10

3. Go to the page for your Group (page 10) and look at the illustrations to find the one most similar to the original part.
 - a. Each part in the illustration is identified with an index number or letter. Use that identifier to locate the part description in the listing.
 - b. Find your "Variation Number", from step 2, immediately below the description.
 - c. The correct Part Number will be in the column to the right of your Variation Number.

For our example, the lower crankcase that looks like the original is Index No. 6. Looking in the listing next to Index No. 6 we find our Variation Number (2), is shown, so the correct part number is 28 561 13-S.

TH16 & TH18

There are several methods of repowering TH16 & TH18 engines to consider—with the choice depending on your shop facilities, repair costs, and allowable downtime of the engine.

1. **Engine Replacement:** When decision is to replace, use a Kohler Replacement Engine—No modifications required.
2. **Short Block Replacement:** When engine including the crankshaft is extensively damaged or worn internally.
3. **Miniblock Replacement:** When bore, piston, and connecting rod are damaged or worn, but crankshaft and all other parts are in good condition.
4. **Upper Crankcase Replacement:** When the cylinders are damaged or worn. Crankshaft can be reground to accept undersize connecting rod.

This Selection Guide provides an easy reference for determining the part number of the Replacement Engine, Short Block, or Miniblock required for the repower method selected. It also lists the part number of the crankshaft installed in the original engine.

Locate the engine specification number in the index below. Select the part number of the repair method listed in the adjacent columns.

TH16 Engine Specifications							
Engine Spec No.	Original Engine			Engine Spec No.	Original Engine		
	Replaces Engine	Crankshaft No.	Replaces Short Block		Replaces Engine	Crankshaft No.	Replaces Short Block
52501	—	23 014 02-S	23 522 03	52524	—	23 014 02-S	23 522 01
52501*	—	23 014 02-S	23 522 01	52529	—	23 014 02-S	—
52502	—	23 014 02-S	23 522 03	52527	—	23 014 02-S	—
52503	—	23 014 22-S	23 522 09	52528	—	23 014 22-S	—
52504	—	23 014 22-S	23 522 03	52530	—	23 014 22-S	—
52507	—	23 014 02-S	—	52531	—	23 014 02-S	—
52507*	—	23 014 02-S	23 522 01	52532	—	23 014 02-S	—
52509	—	23 014 02-S	—				
52512	—	23 014 02-S	23 522 01				
52513	—	23 014 22-S	23 522 02				
52516*	—	23 014 02-S	—				
52516	52510	23 014 02-S	—				
52519	—	23 014 02-S	23 522 01				
52520	—	23 014 02-S	23 522 01				
52521	—	23 014 02-S	—				

*Basic Engine All Short Blocks and Miniblocks include an overhauled gasket set.

2

Special Features

Near the end of the Parts Manual Binder is a separate section devoted to repair options for major damage. "Selection Guides" for each model engine give several different methods of repairing Kohler Engines.....with the choice dependent on shop facilities, costs, and allowable downtime of the engine and/or equipment.

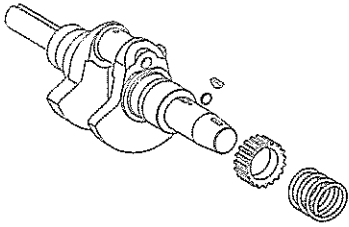
Selection Guides are easy references for determining Part Numbers of Replacement Engines, Short Blocks, or Miniblocks. They also list Part Numbers of crankshafts installed in original engines.

Here is what you'll find:

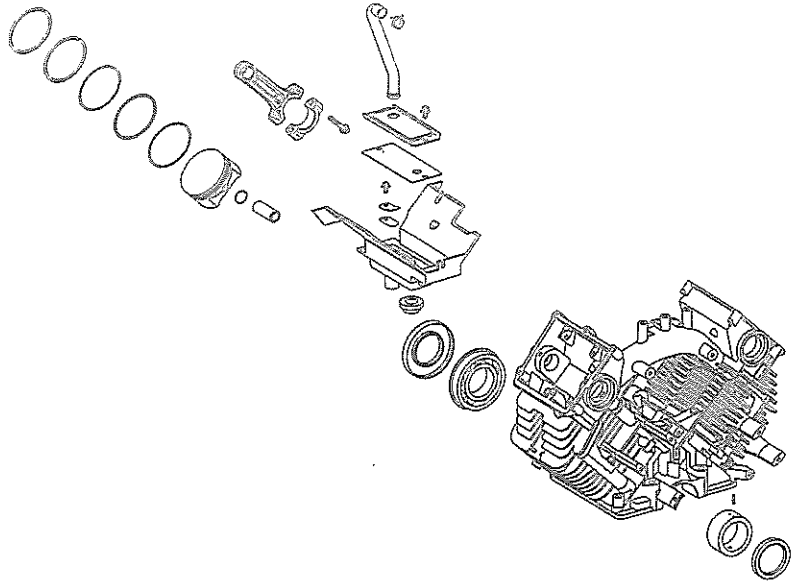
- A. Engine model is identified on each page for easy reference.
- B. Bold column heads identify the various repower options for every engine spec.
- C. Replacement Engines, Short Blocks, or Miniblocks.

Composite Exploded View

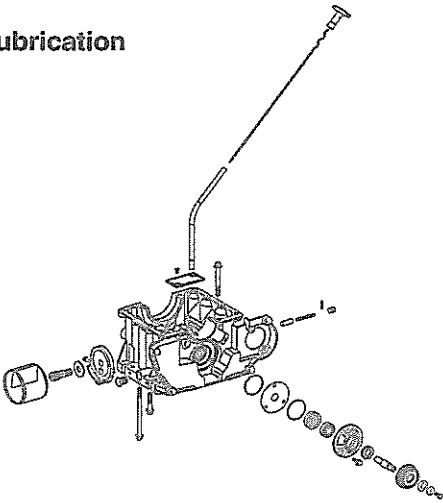
Group 1
Crankshaft



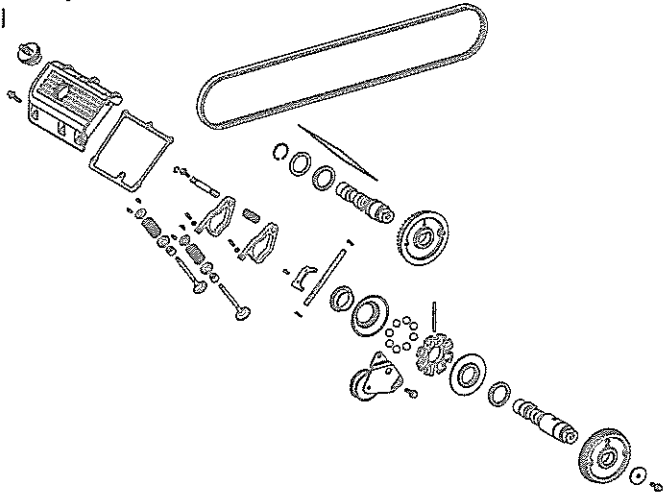
Group 2
Crankcase



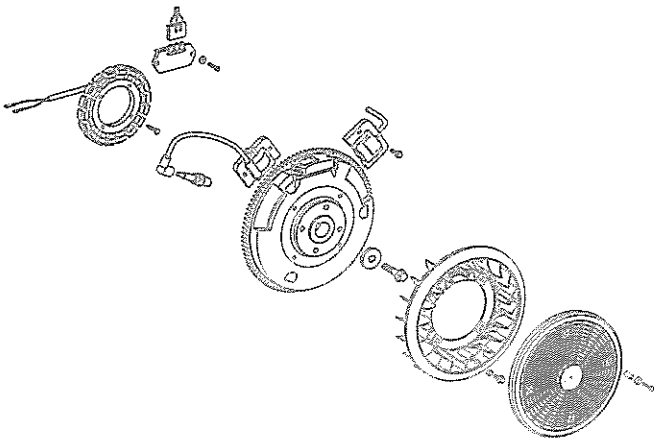
Group 3
Oil Pan/Lubrication



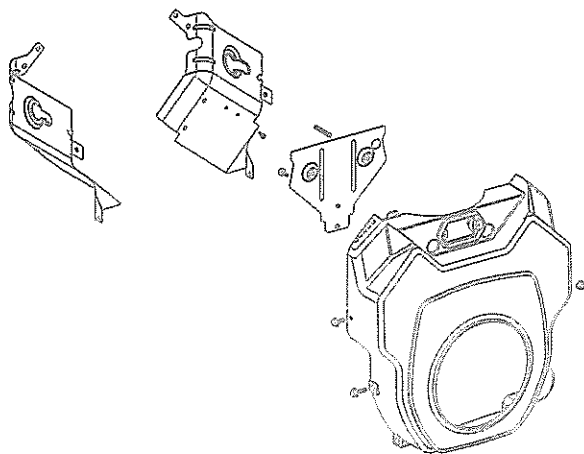
Group 4



Group 5
Ignition/Electrical

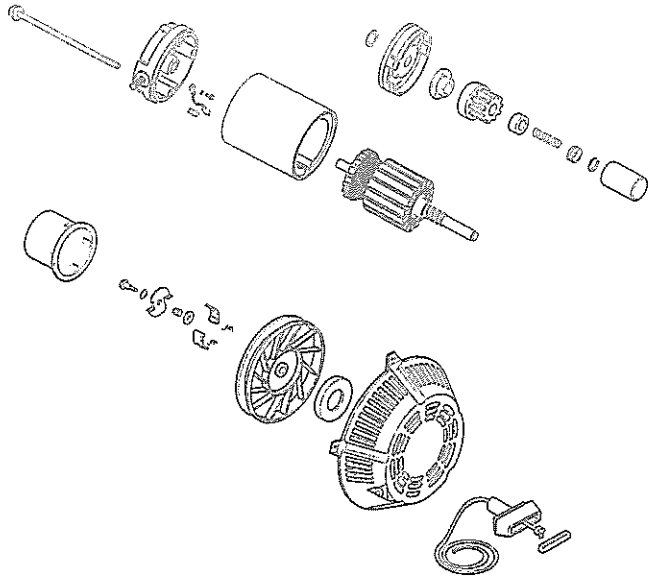


Group 6
Blower Housing & Baffles

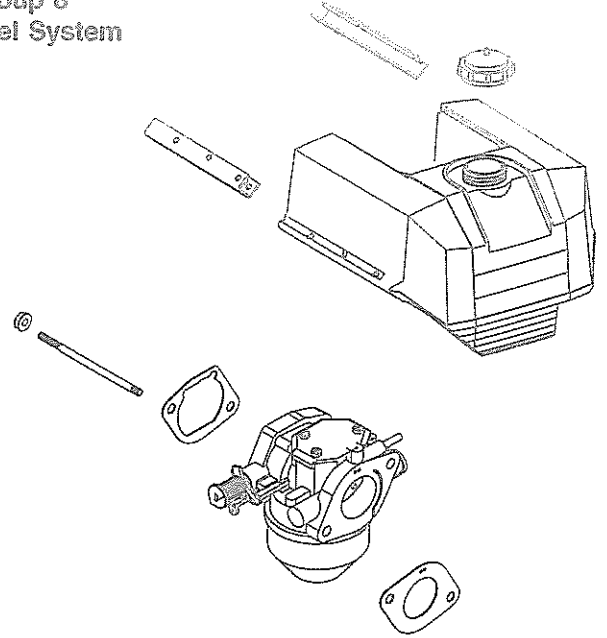


Composite Exploded View

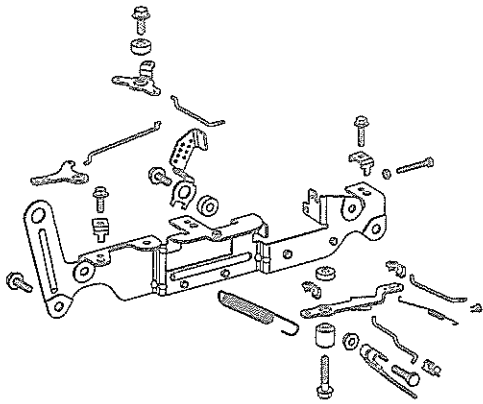
Group 7
Starting System



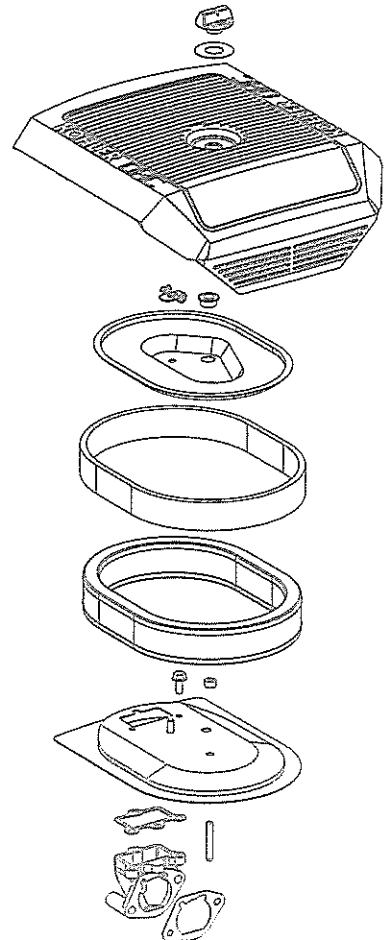
Group 8
Fuel System



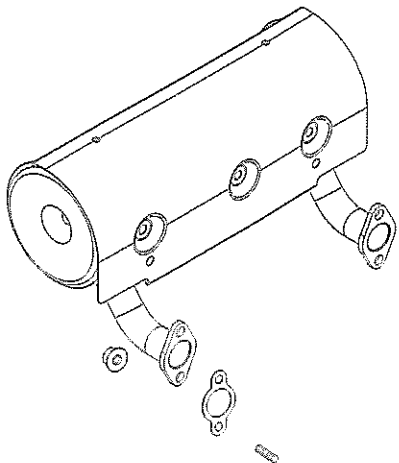
Group 9
Engine Controls



Group 10
Air Intake



Group 11
Exhaust



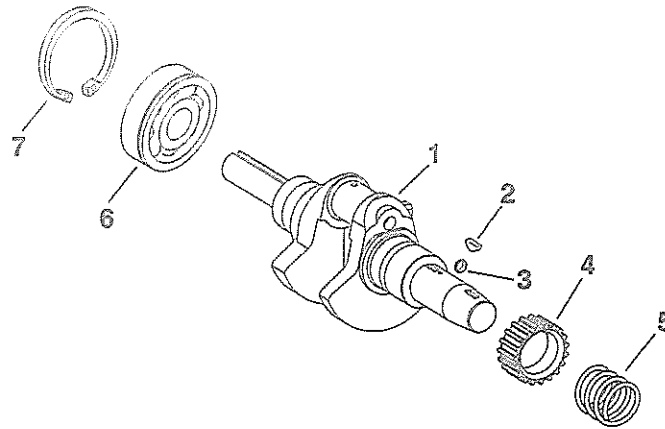
Specification Number Index

Group Title & Number	Crankshaft	Crankcase	Oil Pan/Lubrication	Head/Valve/Breather	Ignition/Electrical	Blower Housing & Baffles	Starting System	Fuel System	Engine Controls	Air Intake/Filtration	Exhaust
	1	2	3	4	5	6	7	8	9	10	11
Page No.	7	8	10	14	16	19	21	22	25	28	32
Grid No.	A7	A8	A10	A14	B2	B5	B7	B8	B11	B14	C4

Spec. No.	Variation No.										
52500	1	1	2	7	6	4	3	4	1	2	1
52501	1	1	101	1	1	101	1	1	1	101	1
52502	1	1	1	7	2	2	2	2	7	2	1
52503	2	1	1	7	2	2	2	2	7	2	1
52504	3	3	101	3	3	101	1	1	6	101	1
52506	4	1	3	6	11	6	2	1	7	1	1
52507	1	1	102	1	16	101	1	9	1	5	1
52509	9	1	105	2	8	102	1	4	12	2	11
52512	1	1	101	2	7	5	1	2	7	2	1
52513	2	1	101	2	7	5	1	2	7	2	1
52516	4	1	104	1	3	101	1	1	7	101	1
52518	10	4	8	1	12	11	1	8	16	4	101
52519	1	1	101	2	7	5	1	2	7	2	5
52520	1	1	102	2	14	5	1	2	13	2	7
52521	13	1	111	1	22	101	1	1	14	101	8
52524	1	1	103	1	3	1	1	1	7	101	1
52526	17	1	111	1	21	10	1	1	9	101	3
52527	18	1	16	1	100	12	1	1	1	6	6
52529	17	101	4	1	25	10	1	1	9	1	6
52530	17	101	4	1	25	10	1	1	9	1	6
52531	10	101	4	1	4	1	1	1	1	7	8
52532	17	101	15	1	21	10	1	1	9	1	3
54501	5	2	106	1	1	101	1	5	1	101	1
54502	5	2	5	7	2	2	2	7	7	2	1
54503	7	2	5	7	2	2	2	7	7	2	1
54504	6	5	106	3	3	101	1	5	22	101	1
54506	8	2	7	6	11	6	2	5	7	1	1
54507	5	2	5	1	17	1	1	10	1	5	1
54510	11	2	9	4	13	9	1	21	15	102	6
54511	11	2	6	1	13	10	1	21	15	101	6
54512	5	2	106	2	7	5	1	7	7	2	1
54513	7	2	106	2	7	5	1	7	7	2	1
54514	5	2	106	2	7	5	1	7	7	2	5
54515	5	2	6	1	15	10	1	5	1	8	9
54516	8	2	108	1	3	101	1	5	7	101	1
54517	16	2	109	1	20	101	1	5	1	101	6
54518	16	2	110	1	23	6	1	5	17	101	13
54519	6	5	107	5	7	5	1	7	22	2	1
54524	5	2	17	2	24	3	1	7	21	2	10
54525	16	2	18	1	100	1	1	5	9	101	12
54526	16	5	14	3	23	6	1	5	18	101	100

TH16 & TH18

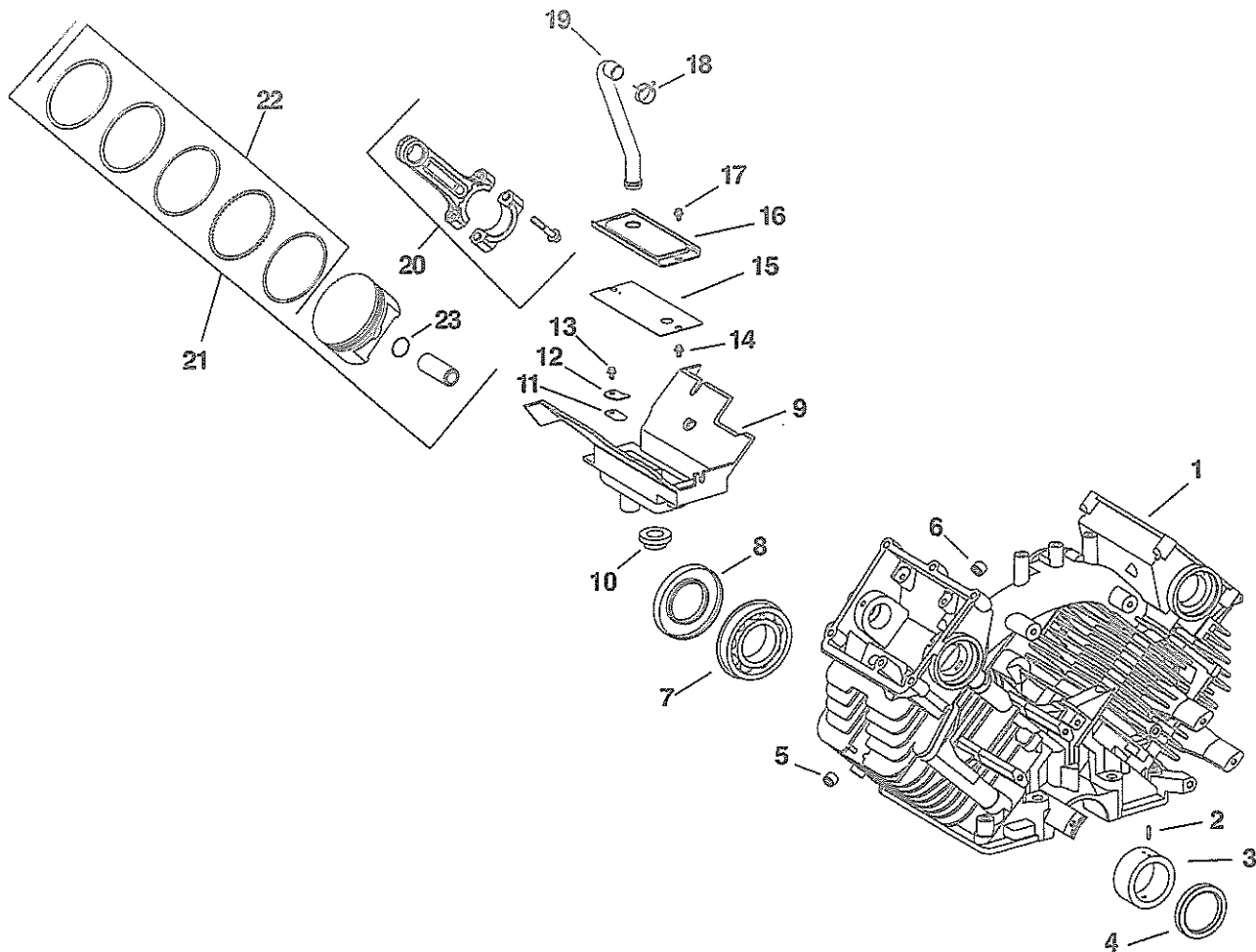
Group 1 Crankshaft



Index Number	Description Variation Number	Part Number	Index Number	Description Variation Number	Part Number
1	Crankshaft (Includes 3,6) 1	28 014 02-S	1	Crankshaft (Includes 3,6,7) 11	28 014 58-S
1	Crankshaft (Includes 3,6) 2	28 014 22-S	1	Crankshaft (Includes 3,6) 13	28 014 88-S
1	Crankshaft (Includes 3,6) 3	28 014 28-S	1	Crankshaft (Includes 3,6,7) 16	28 014 72-S
1	Crankshaft (Includes 3,6) 4	28 014 30-S	1	Crankshaft (Includes 3) 17	24 014 38-S
1	Crankshaft (Includes 3,6,7) 5	28 014 84-S	1	Crankshaft (Includes 3,6) 18	28 014 32-S
1	Crankshaft (Includes 3,6,7) 6	28 014 68-S	2	Key, woodruff 3/16x5/8 (2) 1,2,3,4,5,6,7,8,9,10,11,13,16,17,18	X-42-15-S
1	Crankshaft (Includes 3,6,7) 7	28 014 62-S	3	Plug, cup 1,2,3,4,5,6,7,8,9,10,11,13,16,17,18	52 139 09-S
1	Crankshaft (Includes 3,6,7) 8	28 014 70-S	4	Sprocket, crankshaft 1,2,3,4,5,6,7,8,9,10,11,13,16,17,18	28 093 01-S
1	Crankshaft (Includes 3,6) 9	28 014 86-S	5	Spring, spacer 1,2,3,4,5,6,7,8,9,10,11,13,16,17,18	28 089 02-S
1	Crankshaft (Includes 3,6) 10	28 014 36-S	6	Bearing, ball (Replaced by 28 030 04-S) 1,2,3,4,9,10,13,18	28 030 02-S
			6	Bearing, ball 5,6,7,8,11,16	28 030 04-S
			7	Ring, retaining 5,6,7,8,11,16	28 141 07-S

TH16 & TH18

Group 2 Crankcase



Index Number	Description Variation Number	Part Number	Index Number	Description Variation Number	Part Number
1	Crankcase assembly, upper (Includes 2, stud 28 072 01-S, dipstick tube 28 123 01-S, and screw [3] M-645030-S) 1,4,101	28 260 03-S	2	Pin, roll 1,2,3,4,5,101	X-280-15-S
1	Crankcase assembly, upper (Includes 2, stud 28 072 01-S, dipstick tube 28 123 01-S, and screw [qty. 3] M-645030-S) 2	28 260 04-S	3	Bearing, sleeve (Replaced by 28 030 07-S) 2,4,101	28 030 03-S
1	Crankcase assembly, upper (Includes 2, stud 28 072 01-S, dipstick tube 28 123 01-S, and screw [qty. 3] M-645030-S) 3	28 260 07-S	3	Bearing, sleeve 1,3,5	28 030 07-S
1	Crankcase assembly, upper (Includes 2, stud 28 072 01-S, dipstick tube 28 123 01-S, and screw [qty. 3] M-645030-S) 5	28 260 08-S	4	Seal, oil 60 mm O.D. 1,2,3,4,5,101	28 032 05-S
			5	Bearing, needle 3,5	28 030 05-S
			6	Bearing, needle 3,5	28 030 06-S
			7	Bearing, ball (Replaced by 28 030 04-S) 1,3,4,101	28 030 02-S
			7	Bearing, ball 2,5	28 030 04-S
			8	Seal, oil 85 mm O.D. 1,2,3,4,5,101	28 032 03-S

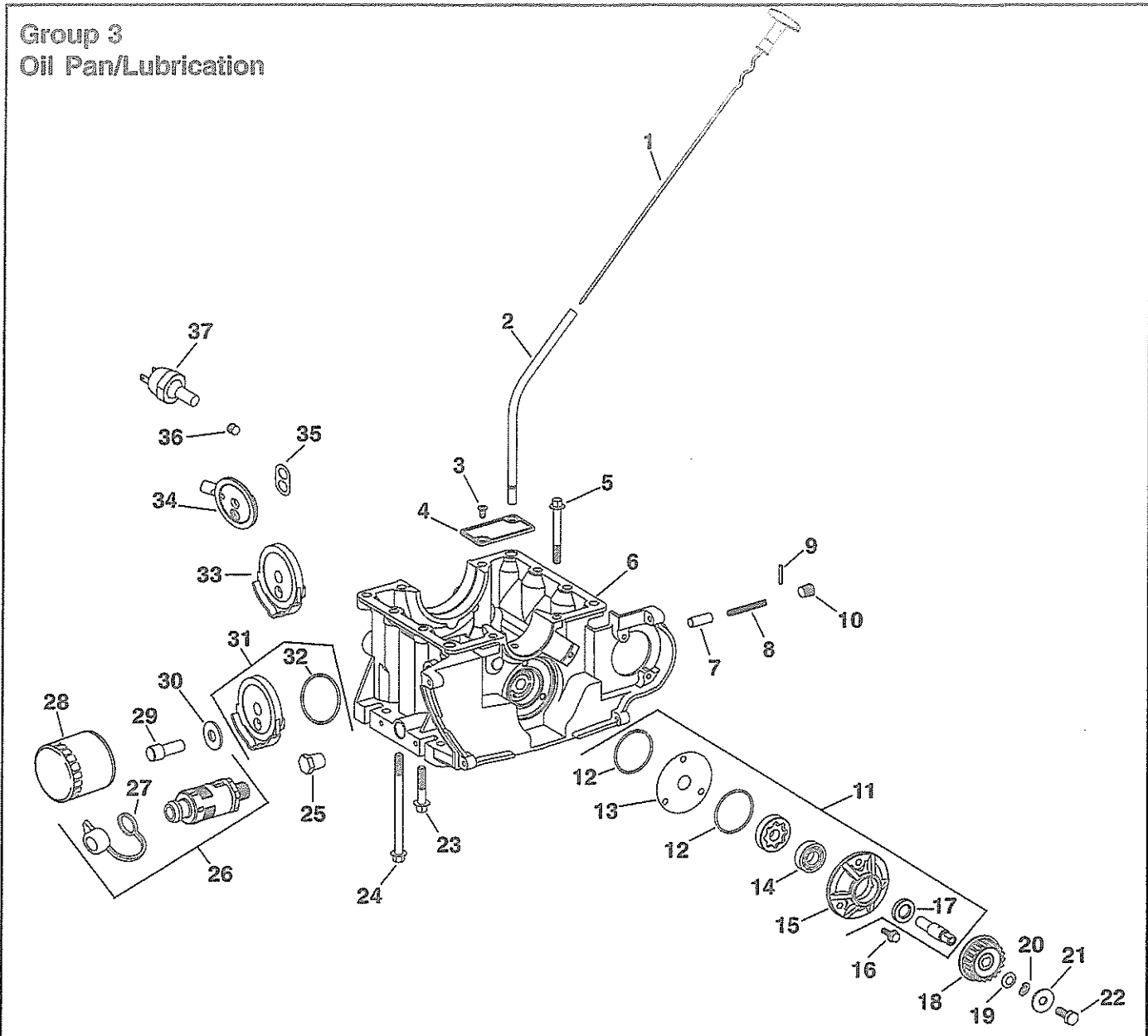
TH16 & TH18

Crankcase
(Cont.)

Index Number	Description Variation Number	Part Number	Index Number	Description Variation Number	Part Number
9	Breather 2,3,4,5,101 Before Serial No. 2826600001 use: 28 035 01-S After Serial No. 2826600011 use kit: 28 755 26-S		17	Screw, thread forming S60x1.42x16 (2) 1	28 086 06-S
9	Kit, breather (Includes 10,13,15,17) 1	28 755 26-S	18	Clamp, hose 1,2,3,4,5,101	12 237 03-S
10	Grommet, breather 1,2,3,4,5,101	28 313 01-S	19	Hose, breather 1,2,3,4,5,101	28 326 01-S
11	Reed, breather 1,2,3,4,5,101	28 402 01-S	20	Connecting Rod (Std.) (2) 1,3,4,101	28 067 01-S
12	Retainer, reed 1,2,3,4,5,101	28 018 02-S	20	Connecting Rod (Std.) (2) 2,5	28 067 04-S
13	Screw 2,3,4,5,101 Before Serial No. 2826600001 use: M-545010-S After Serial No. 2826600011 use: 28 086 07-S		20	Connecting Rod (.25) (2) 1,3,4,101	28 067 02-S
13	Screw, thread forming S50x1.23x10 1	28 086 07-S	20	Connecting Rod (.25) (2) 2,5	28 067 05-S
14	Screw, hex. flange M6x1.0x10 (2) 1,2,3,4,5,101	M-639010-S	21	Piston w/Ring Set (Std.) (2) (Includes 22,23) 1,3,4,101	28 874 01-S
15	Gasket, breather cover 1,2,3,4,5,101	28 041 06-S	21	Piston w/Ring Set (Std.) (2) (Includes 22,23) 2,5	28 874 02-S
16	Cover, breather 1,2,3,4,5,101	28 096 08-S	22	Ring Set (Std.) (2) 1,3,4,101	28 108 01-S
17	Screw (2) 2,3,4,5,101 Before Serial No. 2826600001 use: M-645016-S After Serial No. 2826600011 use: 28 086 06-S		22	Ring Set (Std.) (2) 2,5	28 108 02-S
			23	Retainer, piston pin (4) 1,2,3,4,5,101	24 018 01-S

TH16 & TH18

Group 3 Oil Pan/Lubrication



Index Number	Description Variation Number	Part Number	Index Number	Description Variation Number	Part Number
1	Dipstick 1,2,3,4,5,6,7,8,9,14,15,16,17,18, 101,102,103,104,105,106,107, 108,109,110,111	28 038 01-S	5	Screw, hex. flange M8x1.25x70 (2) 1,2,3,4,5,6,7,8,9,14,15,16,17,18, 101,102,103,104,105,106,107,108, 109,110,111	M-839070-S
2	Tube, dipstick 1,2,3,4,5,6,7,8,9,14,15,16,17,18, 101,102,103,104,105,106,107,108, 109,110,111	28 123 01-S	6	Crankcase, lower (Replaced by 28 561 08-S) (Replaced by 28 561 13-S) 6,8,9,101,102,104,105,106,107,108, 109,111	28 561 01-S
3	Screw, torx countersunk hd. M5x0.8x7 (2) 1,2,3,4,5,6,7,8,9,14,15,16,17,18, 101,102,103,104,105,106,107,108, 109,110,111	M-563010-S	6	Crankcase, lower - assembly (Includes 3,4,7-10, and 28 561 08-S which is replaced by 28 561 13-S) 1,2,3,4,5,7,14,15,16,17,18,103,110	28 561 13-S
4	Screen, oil pick-up 1,2,3,4,5,6,7,8,9,14,15,16,17,18, 101,102,103,104,105,106,107,108, 109,110,111	28 162 01-S			

TH16 & TH18

Index Number	Description Variation Number	Part Number	Index Number	Description Variation Number	Part Number
7	Piston, relief valve 1,2,3,4,5,6,7,8,9,14,15,16,17,18, 101,102,103,104,105,106,107,108, 109,110,111	12 462 02-S	22	Screw, hex. hd. M6x1.0x16 1,2,3,4,5,6,7,8,9,14,15,16,17,18, 101,102,103,104,105,106,107,108, 109,110,111	M-610016-S
8	Spring, relief valve 1,2,3,4,5,6,7,8,9,14,15,16,17,18, 101,102,103,104,105,106,107,108, 109,110,111	12 089 16-S	23	Screw, hex. flange M8x1.25x40 (8) 1,2,3,4,5,6,7,8,9,14,15,16,17,18, 101,102,103,104,105,106,107,108, 109,110,111	M-839040-S
9	Pin, roll 1,2,3,4,5,6,7,8,9,14,15,16,17,18, 101,102,103,104,105,106,107,108, 109,110,111	X-280-3-S	24	Screw, hex. flange M8x1.25x115 (2) 1,2,3,4,5,6,7,8,9,14,15,16,17,18, 101,102,103,104,105,106,107,108, 109,110,111	M-839115-S
10	Plug, pipe 1,2,3,4,5,6,7,8,9,14,15,16,17,18, 101,102,103,104,105,106,107,108, 109,110,111	X-75-38-S	25	Plug, drain 4,15,105,111	52 139 02-S
11	Pump assembly, oil (Includes 12-15,17) 1,2,3,4,5,6,7,8,9,14,15,16,17,18, 101,102,103,104,105,106,107,108, 109,110,111	28 393 02-S	25	Plug, drain (2) 1,2,3,5,6,7,8,9,14,16,17,18, 101,102,103,104,106,107,108, 109,110	52 139 02-S
12	O-Ring (2) 1,2,3,4,5,6,7,8,9,14,15,16,17,18, 101,102,103,104,105,106,107,108, 109,110,111	28 153 01-S	26	Kit, oil drain valve (Includes 27) 4,14,15,105,110,111	25 755 14-S
13	Plate, wear 1,2,3,4,5,6,7,8,9,14,15,16,17,18, 101,102,103,104,105,106,107,108, 109,110,111	28 146 01-S	27	Cap, oil drain valve 4,14,15,105,110,111	25 173 14-S
14	Bearing, ball 1,2,3,4,5,6,7,8,9,14,15,16,17,18, 101,102,103,104,105,106,107,108, 109,110,111	28 030 01-S	28	Filter, oil 1,2,3,4,5,6,7,9,14,15,17,18, 101,102,103,104,105,106,107,108, 109,110,111	12 050 01-S
15	Cover, oil pump 1,2,3,4,5,6,7,8,9,14,15,16,17,18, 101,102,103,104,105,106,107,108, 109,110,111	28 096 02-S	28	Filter, oil 8,16	28 050 01-S
16	Screw, hex. flange M6x1.0x20 (3) 1,2,3,4,5,6,7,8,9,14,15,16,17,18, 101,102,103,104,105,106,107,108, 109,110,111	M-651020-S	29	Nipple, oil filter 1,2,3,4,5,6,7,9,14,15,16,17,18, 101,102,103,104,105,106,107,108, 109,110,111	28 136 01-S
17	Seal, oil 1,2,3,4,5,6,7,8,9,14,15,16,17,18, 101,102,103,104,105,106,107,108, 109,110,111	28 032 02-S	29	Nipple, oil filter 8	24 136 01-S
18	Sprocket, oil pump 1,2,3,4,5,6,7,8,9,14,15,16,17,18, 101,102,103,104,105,106,107,108, 109,110,111	28 093 03-S	30	Washer, flat 1,2,3,4,5,6,7,9,14,15,16,17,18, 101,102,103,104,105,106,107,108, 109,110,111	28 468 05-S
19	Washer, wave 1,2,3,4,5,6,7,8,9,14,15,16,17,18, 101,102,103,104,105,106,107,108, 109,110,111	28 468 04-S	31	Kit, oil filter adapter (Includes 32) 1,2,3,4,5,7,14,15,18	28 755 19-S#
20	Washer, lock 1/4" 1,2,3,4,5,6,7,8,9,14,15,16,17,18, 101,102,103,104,105,106,107,108, 109,110,111	X-20-1-S	32	O-Ring 30 mm I.D. 1,2,3,4,5,7,14,15,18	28 153 03-S
21	Washer, plain 1/4" 1,2,3,4,5,6,7,8,9,14,15,16,17,18, 101,102,103,104,105,106,107,108, 109,110,111	X-25-52-S	32	O-Ring 30 mm I.D. (Used after Serial Number 2805000011, with adapter 28 029 11-S) 6,16,17,101,102,103,104,105, 106,107,108,109,110,111	28 153 03-S
			32	O-Ring 30 mm I.D. (Used with 28 029 13-S adapter) 8	28 153 03-S

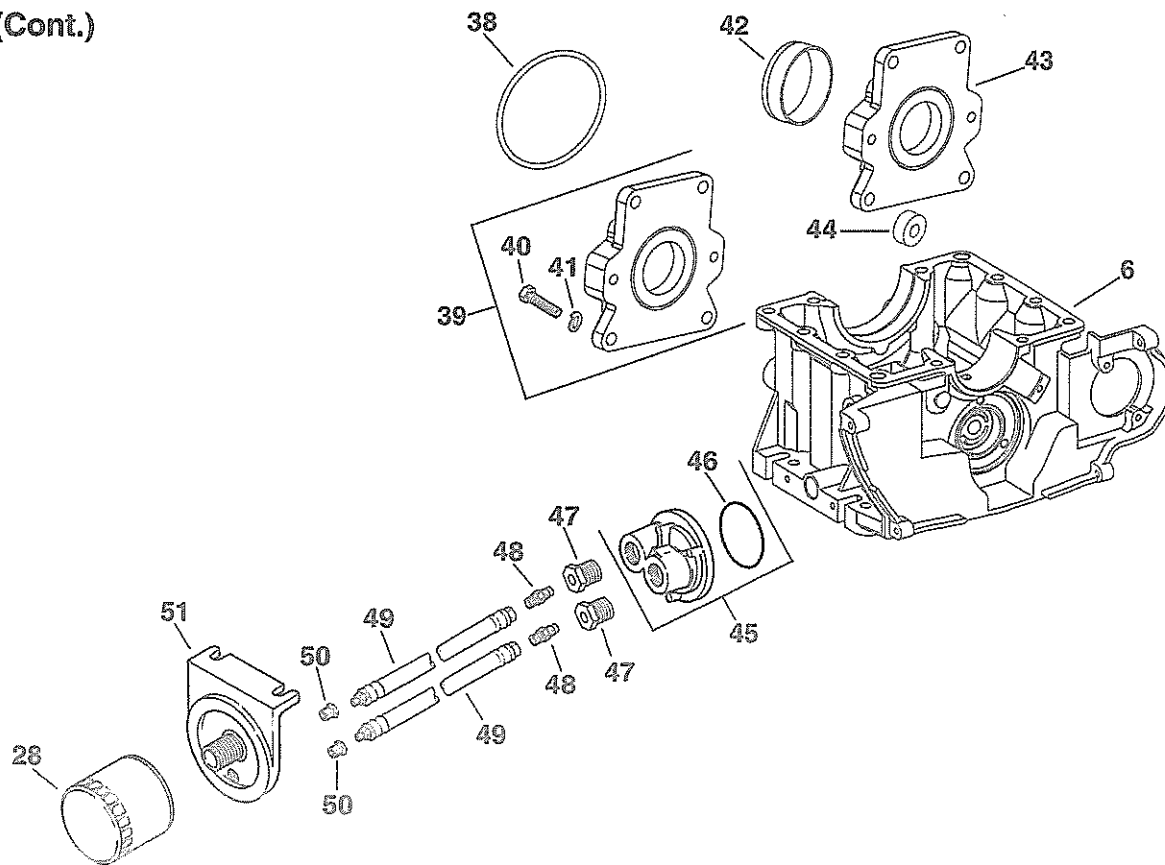
#NOTE: O-Ring 28 153 03-S used between adapter and crankcase.

Oil Pan/Lubrication
(Cont.)

TH16 & TH18

Index Number	Description Variation Number	Part Number	Index Number	Description Variation Number	Part Number
33	Adapter, oil filter 101,104,105 Before Serial Number 2805000001 built with 28 029 01-S* (Replaced by 28 029 07-S*) After Serial Number 2805000011 built with 28 755 19-S#		36	Plug 2,6,9	X-75-23-S
33	Adapter, oil filter 16,17,102,103,109,110,111 Before Serial Number 2805000001 built with 28 029 07-S* After Serial Number 2805000011 built with 28 755 19-S#		37	Kit, oil pressure switch (Includes switch and Oil Sentry Lead 28 518 02-S) 1,3,4,5,7,14,15,16,18,101,102,103, 104,105,106,107,108,109,110,111	28 704 02-S
33	Adapter, oil filter 7,9,107	28 029 07-S*	37	Switch, oil pressure (Replaced by 25 099 24-S) 8	52 099 06-S
34	Adapter, oil filter (Replaced by 28 029 13-S*) 8	28 029 08-S	37	Switch, oil pressure 17	52 099 07-S
35	Gasket, oil filter adapter (Used with 28 029 08-S adapter) 8	28 041 05-S	*NOTE: RTV used between adapter and crankcase. #NOTE: O-Ring 28 153 03-S used between adapter and crankcase.		

Oil Pan/Lubrication
(Cont.)

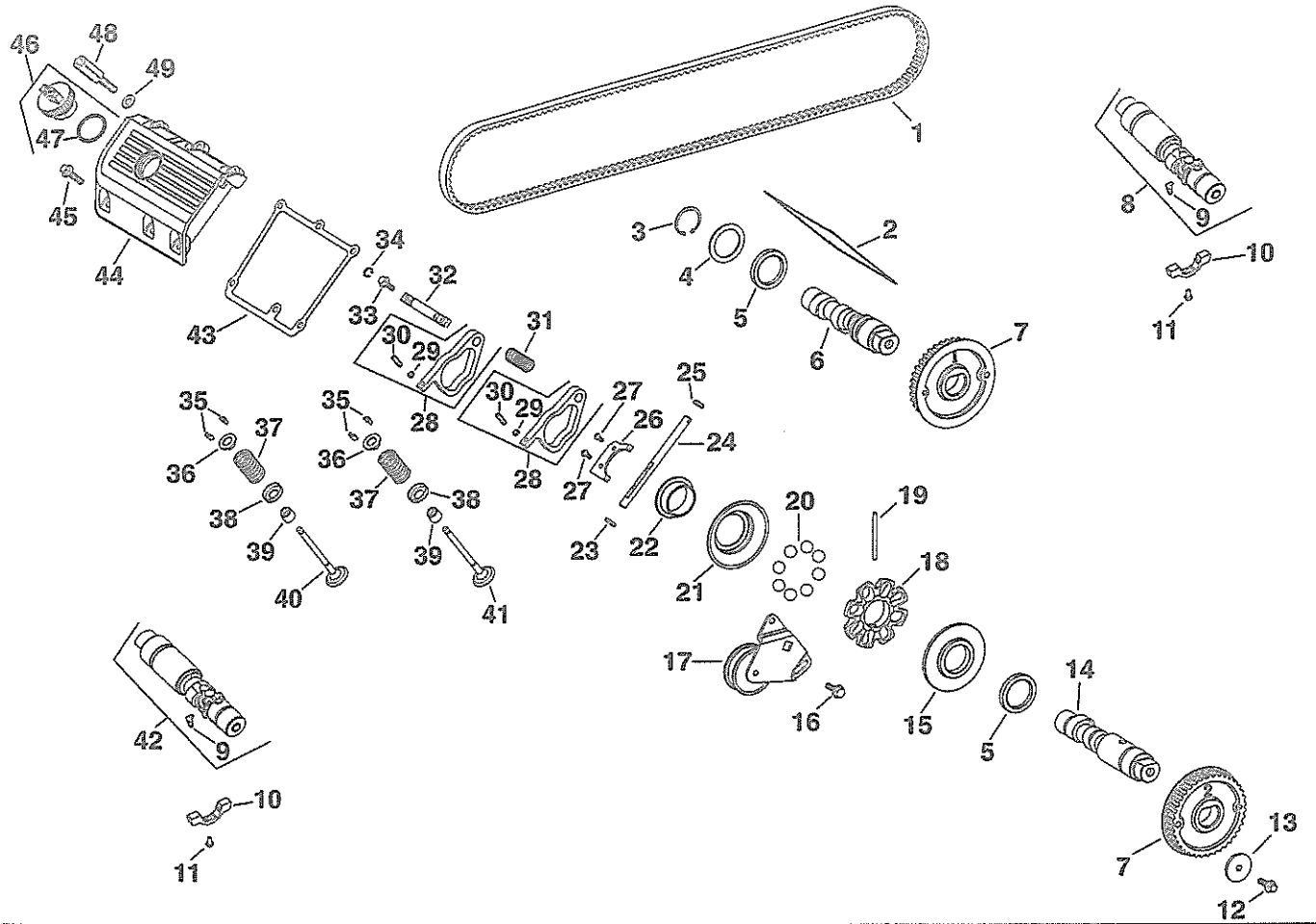


TH16 & TH18

Index Number	Description Variation Number	Part Number	Index Number	Description Variation Number	Part Number
38	Ring, P.T.O. 15,111	28 141 06-S	45	Adapter, oil filter (Includes 46) 16	24 029 02-S
39	Kit, "A" mount pump adapter (Includes 40,41) 3,7,104,108	28 755 15-S	46	O-Ring 16	24 153 13-S
39	Kit, "B" mount pump adapter (Includes 40,41) 14,109,110	28 755 16-S	47	Bushing, reducing (2) (Steel - 7/8x1/4x1/2 N.P.T.F.) 16	25 158 10-S
40	Screw, H.C. 7/16-14x1-1/2" (4) 3,7,104,108	X-8-21-S	48	Nipple, hex. (2) (1/4-18 N.P.T.F. x 1" long) 16	52 136 02-S
40	Screw, H.C. 7/16-14x2" (4) 14,16,18,109,110	X-8-20-S	49	Hose, oil (red tracer) (2) (1/8-27 N.P.T.F. male coupling, 1/4-18 N.P.S.M. female coupling x 23" long) 16	52 326 11-S
41	Washer, lock 7/16" (4) 3,7,14,16,18,104,108,109,110	X-23-1-S	50	Bushing, reducing (2) (Black - 1/8x1/4 N.P.T.F.) 16	A-106-S
42	Shroud, sealing 16	28 424 01-S	51	Adapter, remote oil filter 16	25 029 01-S
43	Adapter, pump 16,18	28 029 12-S			
44	Spacer, pump adapter (4) 14,16,18,109,110	28 112 08-S			

TH16 & TH18

Group 4 Head/Valve/Breather



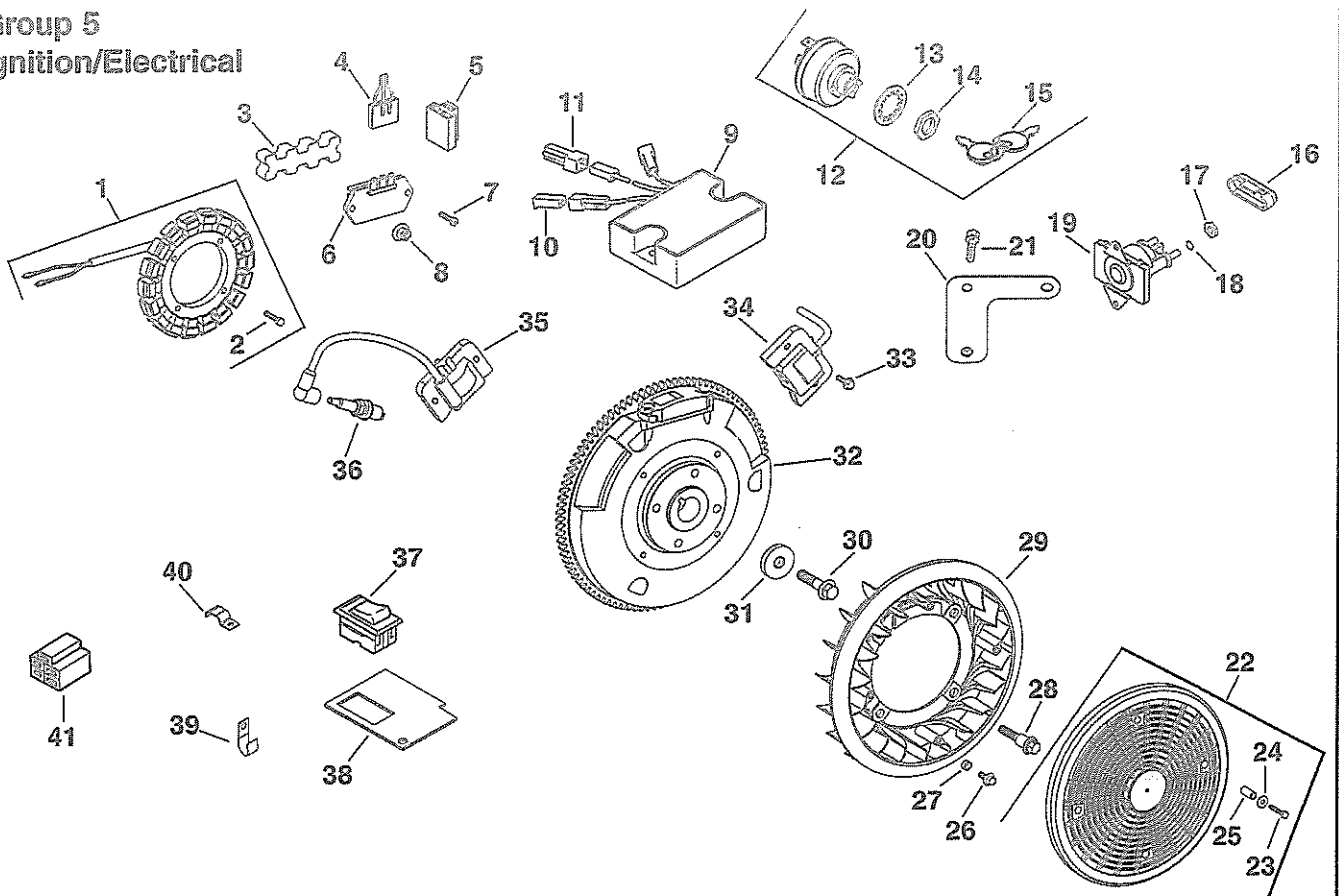
Index Number	Description Variation Number	Part Number	Index Number	Description Variation Number	Part Number
1	Belt, timing 1,2,3,4,5,6,7	28 203 01-S	11	Screw, hex. head poly-lok M4x0.7x8 (2)	28 086 05-S
2	Gasket, valve cover - #1 side 1,2,3,4,5,6,7	28 041 02-S	12	Screw, hex. flange M6x1.0x16 (2)	M-639016-S
3	Ring, snap 1,2,3,4,5,6,7	28 141 01-S	13	Washer, plain 1/4" (2)	28 468 07-S
4	Washer, thrust - #1 side 1,2,3,4,5,6,7	28 468 01-S	14	Camshaft, #2 cylinder 1,2,3,4,5	28 012 04-S
5	Seal, oil (2) 1,2,3,4,5,6,7	28 032 04-S	15	Plate, governor backing 1,2,3,4,5,6,7	28 146 02-S
6	Camshaft, #1 cylinder 1,2,3,4,5	28 012 03-S	16	Screw, hex. flange M6x1.0x20 (2)	M-645020-S
7	Sprocket, camshaft (2) 1,2,3,4,5,6,7	28 093 04-S	17	Pulley, idler 1,2,3,4,5,6,7	28 093 02-S
8	Camshaft, #1 cylinder (Includes 9)	28 010 01-S	18	Body, governor 1,2,3,4,5,6,7	28 208 02-S
9	Spring, ACR 6,7	28 089 13-S	19	Pin, coiled 1,2,3,4,5,6,7	28 380 01-S
10	Weight, ACR (2) 6,7	28 044 01-S	20	Ball, governor (8) 1,2,3,4,5,6,7	28 194 01-S

TH16 & TH18

Index Number	Description Variation Number	Part Number	Index Number	Description Variation Number	Part Number
21	Cover, governor 1,2,3,4,5,6,7	28 096 07-S	36	Cap, valve spring (4) 1,2,3,4,5,6,7	28 173 01-S
22	Bushing, governor 1,2,3,4,5,6,7	28 158 02-S	37	Spring, valve (4) 1,2,3,4,5,6,7	28 089 04-S
23	Spacer, governor 1,2,3,4,5,6,7	28 112 02-S	38	Retainer, valve spring (4) 1,2,3,4,5,6,7	28 018 04-S
24	Shaft, governor cross 1,2,4,6,7	28 144 03-S	39	Seal, valve stem (2) 1,2,3,4,5,6,7	28 032 01-S
24	Shaft, governor cross 3,5	28 144 04-S	40	Valve, exhaust (Std.) (2) 1,2,3,4,5,6,7	28 016 01-S
25	Seal, governor cross shaft 1,2,4,6,7	28 032 06-S	40	Valve, exhaust (.25) (2) 1,2,3,4,5,6,7	28 016 02-S
25	Seal, governor cross shaft 3,5	28 032 09-S	41	Valve, intake (Std.) (2) 1,2,3,4,5,6,7	28 017 01-S
26	Yoke, governor 1,2,3,4,5,6,7	28 471 01-S	41	Valve, intake (.25) (2) 1,2,3,4,5,6,7	28 017 02-S
27	Screw, hex. socket button head M4x0.7x10 (2) (Replaced by M-410010-S) 1,2,3,4,5,6,7	M-466010-S	42	Camshaft, #2 cylinder (Includes 9) 6,7	28 010 02-S
28	Kit, rocker arm (4) (Includes 29,30) 1,2,3,4,5,6,7	28 755 18-S	43	Gasket, valve cover - #2 side 1,2,3,4,5,6,7	28 041 03-S
29	Nut, hex. jam (4) 1,2,3,4,5,6,7	M-538003-S	44	Cover, valve - #2 side 1,2,3,4,5,6,7	28 096 04-S
30	Screw, slotted set (4) 1,2,3,4,5,6,7	28 086 01-S	45	Screw, hex. flange M6x1.0x25 (10) 1,3,4,6	M-639025-S
31	Spring, shaft (2) 1,2,3,4,5,6,7	28 089 01-S	45	Screw, hex. flange M6x1.0x25 (5) 2,5,7	M-639025-S
32	Shaft, rocker arm (2) 1,2,3,4,5,6,7	28 144 01-S	46	Cap, oil fill (Includes 47) 1,2,3,4,5,6,7	24 227 02-S
33	Screw, hex. flange M5x0.8x16 (4) 1,2,3,4,5,6,7	M-545016-S	47	O-Ring 1,2,3,4,5,6,7	24 153 09-S
34	Ring, retaining (4) 1,2,3,4,5,6,7	28 141 02-S	48	Spacer, threaded (5) 2,5,7	28 112 03-S
35	Lock, retainer (8) 1,2,3,4,5,6,7	28 062 01-S	49	Washer, plain 1/4" (5) 2,5,7	X-25-63-S

TH16 & TH18

Group 5 Ignition/Electrical

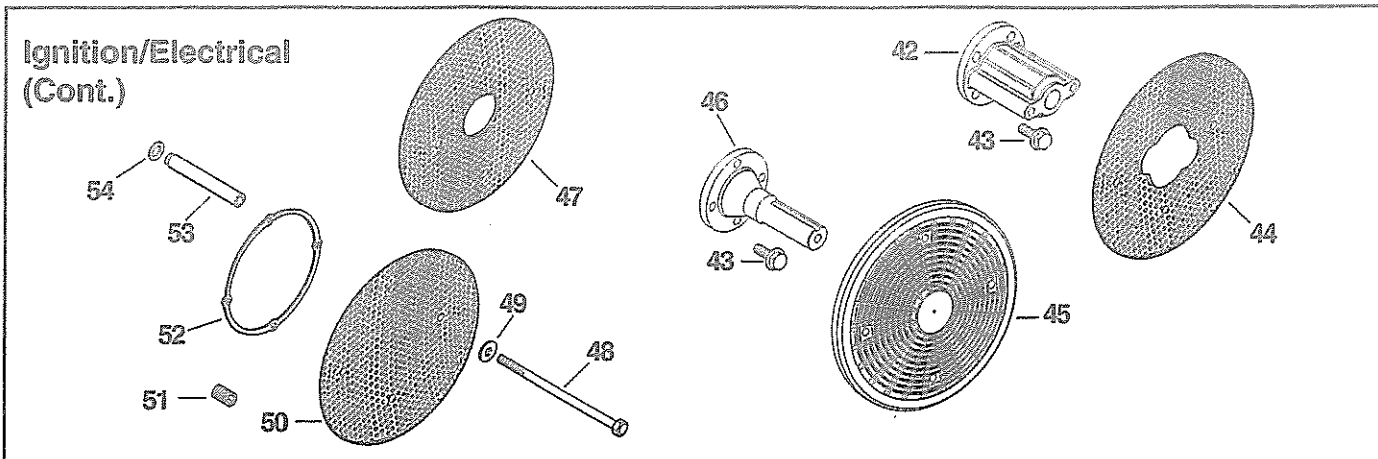


Index Number	Description Variation Number	Part Number	Index Number	Description Variation Number	Part Number
1	Kit, stator (15 amp) (Includes 2 and Terminal 25 452 01-S [qty. 2]) 1,2,3,7,8,11,12,13,14,15,16,17,20, 21,23,24,25,100	237878-S	8	Nut, hex. flange M5x0.8 (2) 2,7,8,14,24	M-541050-S
1	Kit, stator (25 amp) (Includes 2,10, and Terminal 25 452 06-S [qty. 2]) 22	25 755 07-S	9	Rectifier-regulator (25 amp) 22	25 403 04-S
2	Screw, sems hex. cap 10-24x3/4" (4) 1,2,3,7,8,11,12,13,14,15,16,17,20, 21,23,24,25,100	X-67-51-S	10	Connector, receptacle (2) 22	25 155 04-S
2	Screw, sems hex. cap 10-24x1" (4) 22	25 086 29-S	11	Connector, tab 22	25 155 03-S
3	Spacer, rectifier-regulator 2,7,8,14,24	28 112 04-S	12	Switch, key (Includes 13-15) 2,3,7,8,11,14,20,24,100	25 099 04-S
4	Connector 1,3,11,12,13,15,16,17,20,21,23, 25,100	236602-S	13	Washer, I.T. 2,3,7,8,11,14,20,24,100	48 468 02-S
5	Connector 2,7,8,14,24	236473-S	14	Nut, hex. 9/16" 2,3,7,8,11,14,20,24,100	48 100 01-S
6	Rectifier-regulator (15 amp) 1,2,3,7,8,11,12,13,14,15,16,17,20, 21,23,24,25,100	41 403 09-S	15	Key (Set of 2) 2,3,7,8,11,14,20,24,100	48 340 01-S
7	Screw, phillips hd. 11-16x7/8"(2) 1,3,11,12,13,15,16,17,20,21,22, 23,25,100	24 086 18-S	16	Cap, solenoid 1,2,3,7,8,11,12,14,16,17,20,23, 24,100	25 173 07-S
			17	Nut, hex. 1/4-20 (2) 1,2,3,7,8,11,12,14,16,17,20,23, 24,100	X-76-2-S
			18	Washer, lock 1/4" (2) 1,2,3,7,8,11,12,14,16,17,20,23, 24,100	X-22-11-S

TH16 & TH18

Index Number	Description Variation Number	Part Number	Index Number	Description Variation Number	Part Number
19	Solenoid 1,2,3,7,8,11,12,14,16,17,20,23, 24,100	25 435 02-S	31	Washer, plain 3/8" 1,2,3,6,7,8,11,12,13,14,15,16,17, 20,21,22,23,24,25,100	12 468 03-S
20	Bracket, solenoid 8	28 126 16-S	32	Flywheel 1,2,3,6,7,8,11,12,13,14,15,16,17, 20,21,22,23,24,25,100	28 025 01-S
21	Screw, hex. flange M6x1.0x16 8	M-670016-S	33	Screw, hex. flange M5x0.8x20 (4) 1,2,3,6,7,8,11,12,13,14,15,16,17, 20,21,22,23,24,25,100	M-545020-S
22	Kit, grass screen (Includes 23-25) 1,3,7,14,16,17,22,100	54 755 15-S	34	Module, #1 cylinder 1,2,3,6,7,8,11,12,13,14,15,16,17, 20,21,22,23,24,25,100	28 584 02-S
23	Screw, hex. cap M4x0.7x25 (4) 1,3,7,14,16,17,20,22,100	M-403025-S	35	Module, #2 cylinder 1,2,3,6,7,8,11,12,13,14,15,16,17, 20,21,22,23,24,25,100	28 584 01-S
24	Washer, plain 1/2" (4) 1,3,7,14,16,17,20,22,100	X-25-92-S	36	Spark plug (2) 1,2,3,6,7,8,11,12,13,14,15,16,17, 20,21,22,23,24,25,100	12 132 02-S
25	Spacer (4) 1,3,7,14,16,17,20,22,100	24 112 04-S	37	Switch, rocker 6	25 099 10-S
26	Screw, fan mounting (4) 1,3,7,14,16,22,100 Before Serial No. 2723700001 built with M-639016-S (and 12 112 01-S) After Serial No. 2723700011 built with 25 086 47-S		38	Bracket, switch 6	28 126 11-S
27	Spacer, fan (4) (Replaced by 25 086 47-S) 1,3,7,14,16,22,100	12 112 01-S	39	Clip, cable (2) 2,7	47 154 01-S
28	Bolt, shoulder M6x1.0x16 (4) 2,6,8,11,17,20,23,24,25	25 086 47-S	39	Clip, cable 3,8,11,14,24	47 154 01-S
29	Fan 1,2,3,6,7,8,11,12,13,14,15,16,17, 20,21,22,23,24,25,100	28 157 01-S	40	Clip, terminal 2,7,8,14,24	234531-S
30	Screw, hex. flange M10x1.5x45.8 1,2,3,6,7,8,11,12,13,14,15,16,17, 20,21,22,23,24,25,100	12 086 14-S	41	Connector (5 contact) (Spec 54510) 13	48 155 01-S
			41	Connector (5 contact) 100	48 155 01-S

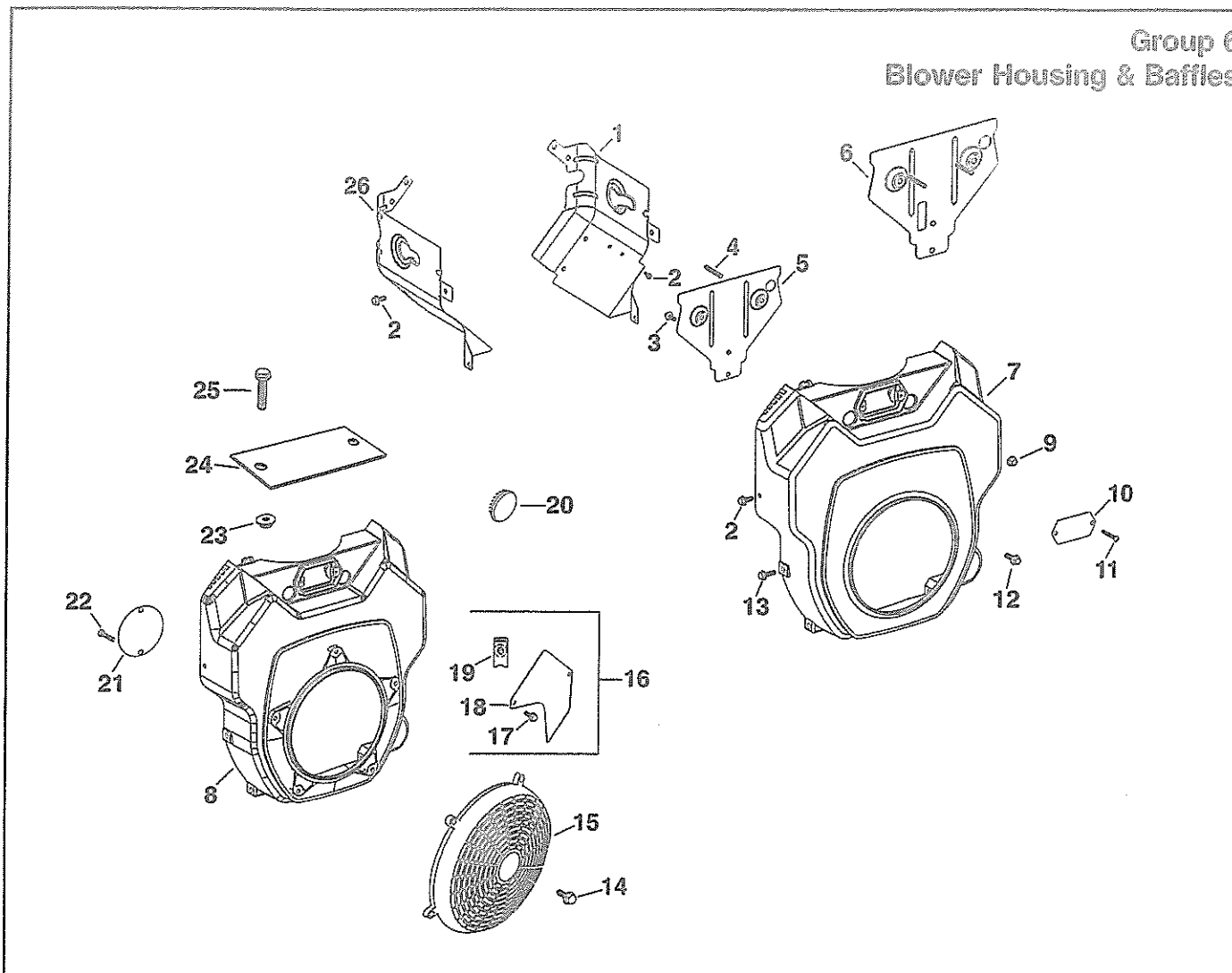
TH16 & TH18



Index Number	Description Variation Number	Part Number	Index Number	Description Variation Number	Part Number
42	Adapter, front drive 13,15	24 029 09-S		Harness, wiring 15	28 176 13-S
43	Screw, hex. flange M8x1.25x25 (4) 12,13,15,20	M-839025-S		Harness, wiring 22	28 176 17-S
44	Screen, grass 13,15	28 162 02-S		Lead, black, starter to solenoid (5-1/2" - 6 gauge - terminals: 2 insulated barrel grip eyelets) 1,2,3,7,8,11,12,14,16,17,20,23, 24,100	12 518 09-S
45	Screen, grass 20	24 162 18-S		Lead, black, ground (3" - 18 gauge - terminals: 1 insulated grip barrel eyelet, 1 insulated push on tab) 2,3,7,11,14,24	28 518 01-S
46	Shaft, front drive (134 mm long) 12	28 144 05-S		Lead, duplex 6	28 176 09-S
46	Shaft, front drive (123 mm long) 20	24 144 23-S		Lead, black (18-1/2" - 16 gauge - terminals: 1 insulated grip barrel eyelet, 1 insulated push on tab) 6	28 518 03-S
47	Screen, grass (40 mm diameter hole) 12	24 162 22-S		Screw, hex. flange M4x0.7x10 (2) (Secures wiring connector to #1 cylinder baffle) 1,8,12,14,16,14,20,21,22,23,24, 25,100	M-448010-S
48	Screw, hex. cap M6x1.0x75 (4) 12,13,15,21	28 086 03-S		Screw, hex. flange M6x1.0x16 1,2,3,6,7,8,11,12,13,14,15,16,17, 20,21,22,23,24,25,100	M-645016-S
49	Washer, plain 1/4" (4) 12,13,15,21	X-25-53-S		Screw, hex. flange M6x1.0x25 2,3,7,11,14,24	M-649025-S
50	Screen, grass 21	24 162 25-S		Screw, hex. flange M6x1.0x10 16	M-639010-S
51	Screw, set 12,13,15,21	25 086 43-S		Tie, cable (3) 1,2,3,6,7,8,11,12,13,14,15,16,17, 20,22,23,24,25,100	X-468-1-S
52	Ring, support 12,13,15,21	24 141 06-S		Tie, cable (4) 21	X-468-1-S
53	Spacer (4) 12,13,15,21	28 112 06-S		Washer, plain 1/4" 1,2,3,7,8,11,12,13,14,15,16,17, 20,21,22,23,24,25,100	X-25-63-S
54	Washer, spring (4) 12,13,15,21	24 468 11-S		Washer, plain 1/4" 2,3,7,11	X-25-72-S
Not Illustrated				Washer, lock 1/4" 2,3,7,11,14,24	X-22-11-S
	Decal, grass screen 1,3,7,14,16,17,22,100	24 113 18-S			
	Harness, wiring 1,8,12,13,14,16,17,20,21,23, 24,25,100	28 176 02-S			
	Harness, jumper 2,7,8,14,24	28 176 08-S			
	Harness, wiring 2,11	28 176 12-S			
	Harness, wiring (Replaced by 28 176 12-S) 3,7,8	28 176 06-S			
	Harness, wiring 14,24	28 176 03-S			

TH16 & TH18

Group 6 Blower Housing & Baffles



Index Number	Description Variation Number	Part Number	Index Number	Description Variation Number	Part Number
1	Baffle, #1 cylinder 1,2,3,4,5,6,9,10,11,12,101,102,103	28 063 04-S	8	Housing, blower (with threaded inserts) (Replaced by 28 027 09-S - no threaded inserts) 9,103	28 027 05-S
2	Screw, hex. flange M6x1.0x16 (5) 1,2,3,4,5,6,10,11,12,101,102,103	M-645016-S	8	Housing, blower (no threaded inserts) 10	28 027 09-S
3	Screw, hex. flange M5x0.8x16 1,2,3,4,5,6,9,10,11,12,101,102,103	M-545016-S	8	Housing, blower 11	
4	Stud, M6x1.0x41 (2) (Use before Serial No. 2722600011) 5,11,101,102,103	28 072 01-S		Built with 28 027 06-S until Serial No. 2801500001.	
4	Stud, M6x1.0x41 (2) 9	28 072 01-S		At Serial No. 2801500001 but before 2802300011 built with 28 027 09-S.	
5	Baffle, valley 1,6,9,10,11,12,101,103	28 063 01-S		After Serial No. 2802300001 built with 28 027 14-S.	
6	Baffle, valley 2,3,4,5,102	28 063 02-S	8	Housing assembly, blower (Includes 19) (Use after Serial No. 2802300001)	
7	Housing, blower 1,5,101	28 027 01-S	11		28 027 14-S
7	Housing, blower 12	28 027 03-S	9	Nut, hex. flange M6x1.0 (2) (Use before Serial No. 2722600011) 5,11,101,102,103	M-641060-S
8	Housing, blower (Replaced by 28 027 09-S) 2,3,4,6,102	28 027 02-S	9	Nut, hex. flange M6x1.0 (2) 9	M-641060-S

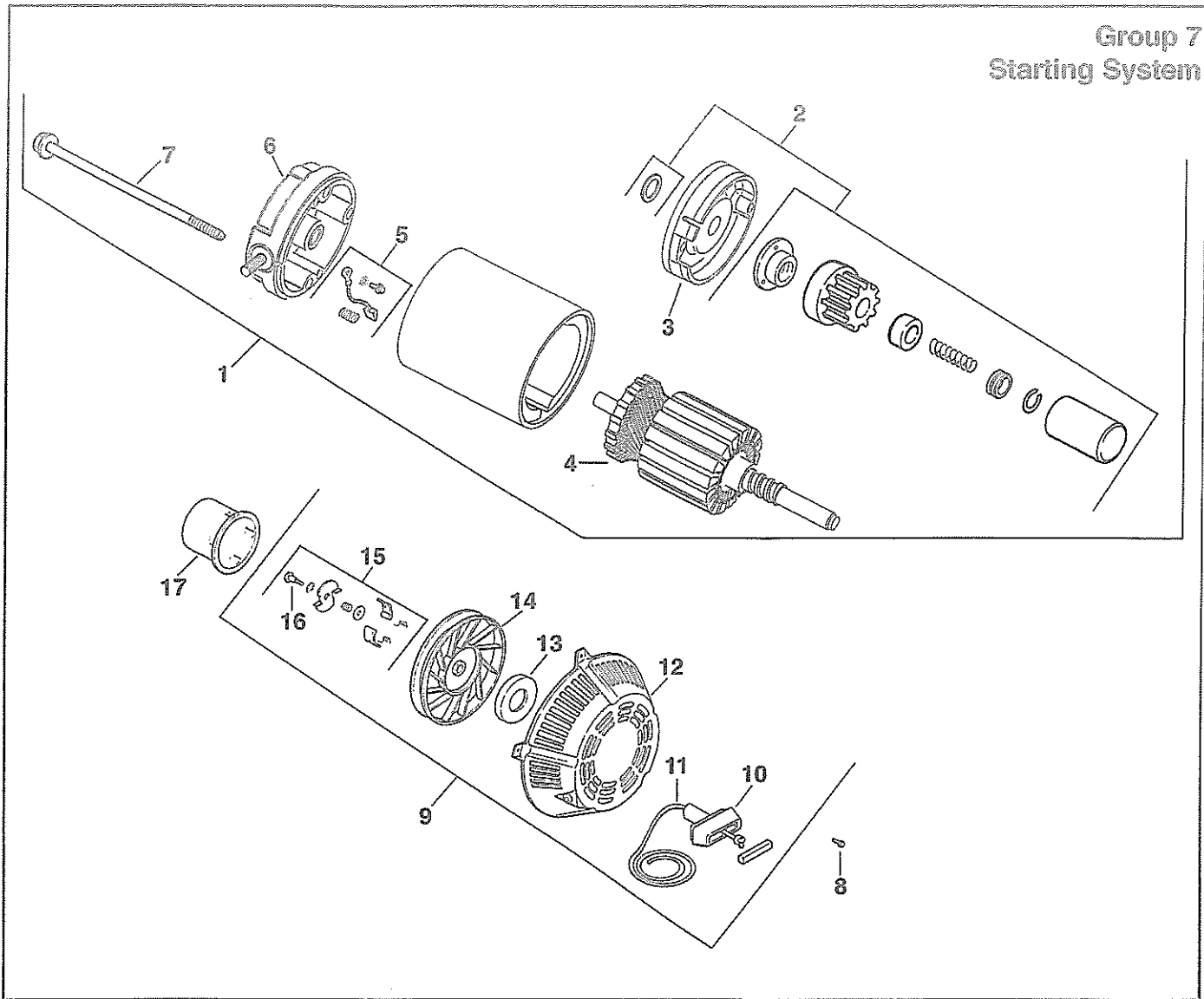
Blower Housing & Baffles
(Cont.)

TH16 & TH18

Index Number	Description Variation Number	Part Number	Index Number	Description Variation Number	Part Number
10	Cover, rectifier-regulator 2,3,4,5,102	28 096 11-S	18	Cover, access (2) (Use after Serial No. 2802300001)	
11	Screw, phillips hd. 11-16x7/8" (2) 2,3,4,5,102	24 086 18-S	11		24 096 64-S
12	Screw, thread forming M6x1.0x30 (2) 1,2,3,4,6,10,12	M-645030-S	19	Clip, mounting (4) (Use after Serial No. 2802300001)	
12	Screw, thread forming M6x1.0x30 (2) (Use after Serial No. 2722600001) 5,11,101,102,103	M-645030-S	11		25 154 02-S
12	Screw, thread forming M6x1.0x30 9	M-645030-S	20	Kit, blower housing access hole plug (Includes 2 plugs) (Use before Serial No. 2802300011)	
13	Screw, hex. flange M6x1.0x20 (4) 1,2,3,4,5,6,10,11,12,101,102,103	M-645020-S	11		24 755 90-S
13	Screw, hex. flange M6x1.0x20 (9) 9	M-645020-S	21	Cover, starter 4	28 096 12-S
14	Screw, hex. flange M5x0.8x16 (5) 3,102	M-551016-S	22	Screw, hex. cap 1/4-20x3/8" (2) 4	X-132-1-S
15	Guard, stylized 3,102	12 314 07-S	23	Nut, hex. flange M5x0.8 (2) 11,12	M-541050-S
16	Kit, access panel (Includes 17-19) (Used after Serial No. 2802300001) 11	25 755 21-S	24	Cover, blower housing 11,12	28 096 13-S
17	Screw, hex. flange M6x1.0x16 (4) (Use after Serial No. 2802300001) 11	M-645016-S	25	Screw, hex. flange M5x0.8x10 (2) 11,12	M-545016-S
			26	Baffle, #2 cylinder 1,2,3,4,5,6,9,10,11,12,101,102,103	28 063 03-S
			NOT ILLUSTRATED		
				Decal, grass screen 3,102	24 113 18-S

TH16 & TH18

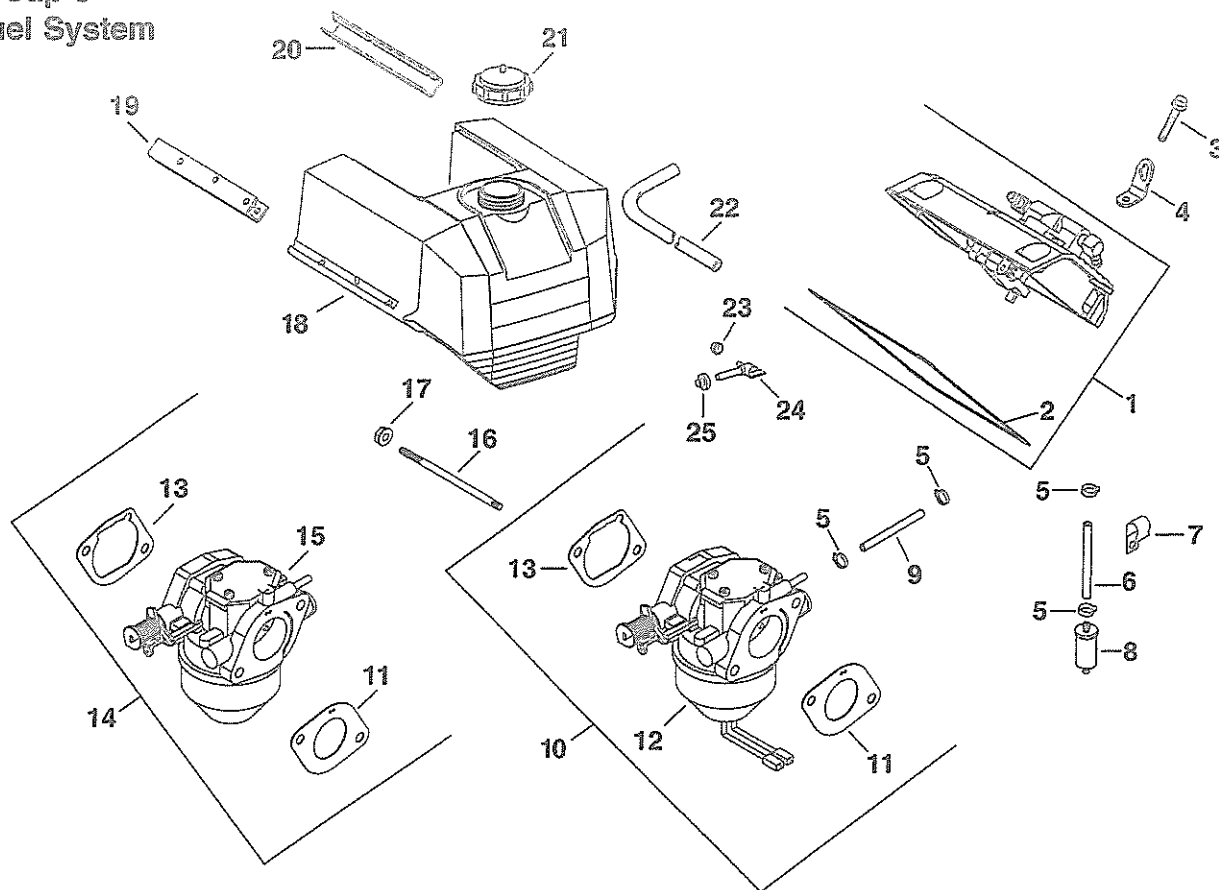
Group 7 Starting System



Index Number	Description Variation Number	Part Number	Index Number	Description Variation Number	Part Number
1	Starter assembly, bendix (Includes 2-7)		10	Handle, starter 2,3	25 166 01-S
2	Kit, drive 1,2	28 098 01-S	11	Rope, starter 2,3	12 160 01-S
3	Cap, drive 1,2	28 227 02-S	12	Housing, starter 2,3	12 081 01-S
4	Armature 1,2	45 170 03-S	13	Spring & Keeper 2,3	12 089 06-S
5	Kit, brush & spring 1,2	82 755 28-S	14	Pulley 2,3	12 093 01-S
6	Cap, commutator end 1,2	28 227 01-S	15	Kit, pawl (dog) repair (Includes 16)	12 757 06-S
7	Screw, starter 5-3/4" long (2) 1,2	28 086 04-S	16	Screw, pozidriv 2,3	41 086 09-S
8	Screw, hex. flange M5x0.8x10 (5) 2,3	M-539010-S	17	Cup, drive 2,3	15 109 01-S
9	Starter assembly, retractable (Includes 10-16) 2,3	12 165 01-S			

TH16 & TH18

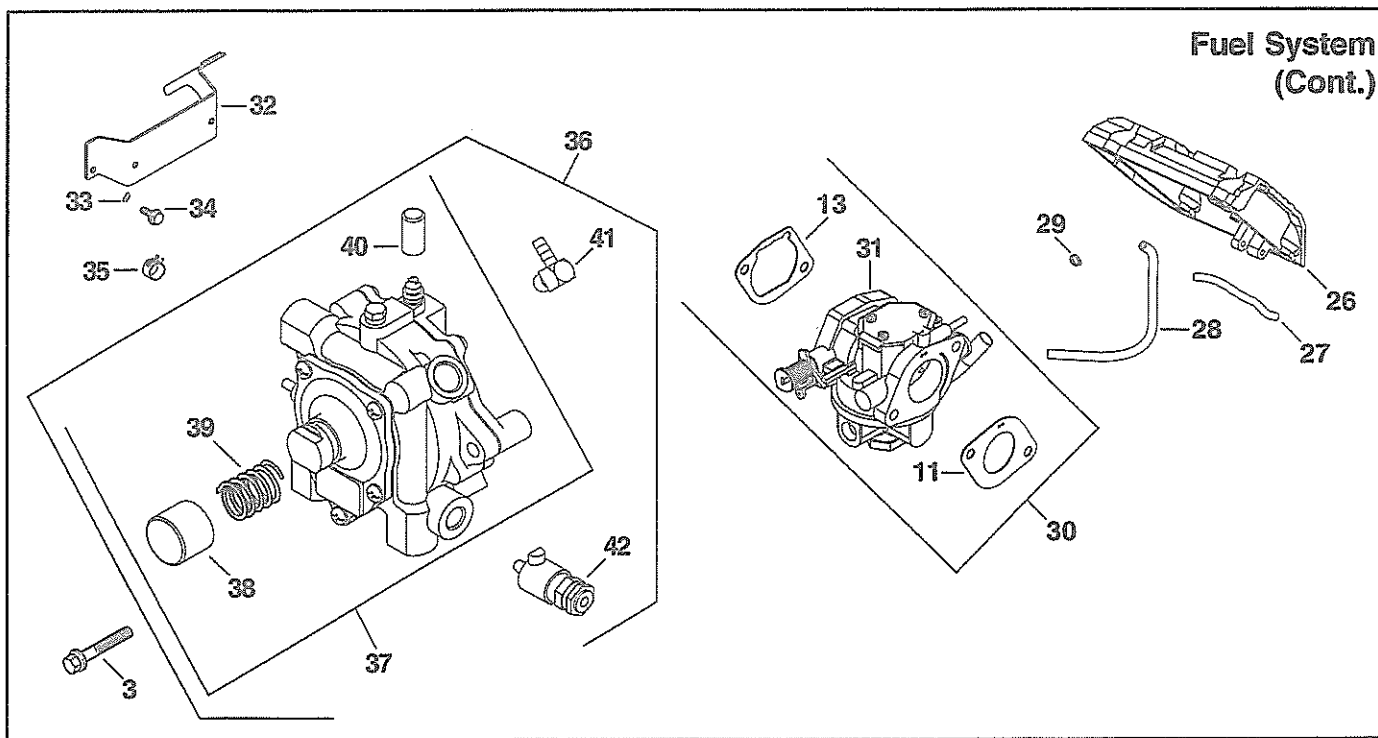
Group 8 Fuel System



Index Number	Description Variation Number	Part Number	Index Number	Description Variation Number	Part Number
1	Kit, fuel pump (Includes 2) 1,5,8	28 559 04-S	8	Filter, fuel 1,5,21	25 050 03-S
1	Kit, fuel pump (Includes 2) 2,4,7,21	28 559 03-S	9	Line, fuel 7-1/2" (pump to carburetor) 1,2,4,5,7,21	15 353 03-S
2	Gasket, #1 valve cover 1,2,4,5,7,8,21	28 041 02-S	10	Kit, carburetor with gaskets (Includes 11-13) 1,2	28 853 04-S
3	Screw, hex. flange M6x1.0x40 (5) (Valve cover mounting screws) 2,4,7	M-639040-S	10	Kit, carburetor with gaskets (Includes 11-13) 5,7,21	28 853 07-S
3	Screw, hex. flange M6x1.0x40 (2) (Fuel regulator mounting screws) 9,10	M-639040-S	11	Gasket, carburetor 1,2,4,5,7,8,9,10,21	24 041 15-S
4	Bracket, lift-lead 1,5,8,9,10,21	28 126 17-S	12	Carburetor assembly (For information only, not available separately) (Service with kits 28 757 05-S, 28 757 06-S, 28 757 07-S, 28 757 08-S, 24 757 20-S)	28 053 04-S
4	Bracket, lift-lead (2) 2,4,7	28 126 17-S	12	Carburetor assembly (For information only, not available separately) (Service with kits 28 757 05-S, 28 757 06-S, 28 757 07-S, 28 757 08-S, 24 757 20-S)	28 053 07-S
5	Clamp, hose (4) 1,2,4,5,7,8,21	X-426-9-S	13	Gasket, air cleaner 1,2,4,5,7,8,9,10,21	24 041 14-S
6	Line, fuel 3-1/2" (pump to fuel filter) 1,5,21	25 353 15-S			
6	Line, fuel 13-1/2" (pump to fuel filter) 8	25 353 03-S			
7	Clip 8	47 154 01-S			

TH16 & TH18

Index Number	Description Variation Number	Part Number	Index Number	Description Variation Number	Part Number
14	Kit, carburetor with gaskets (Includes 11,13,15) 4,8	28 853 02-S	19	Rail, #2 side fuel tank 2,4,7	28 399 02-S
15	Carburetor assembly (For information only, not available separately) (Service with kits 28 757 05-S, 28 757 06-S, 28 757 08-S, 24 757 20-S) 4,8	28 053 02-S	20	Rail, #1 side fuel tank 2,4,7	28 399 03-S
16	Stud, carburetor M6x1.0x122 (2) 1,2,4,5,7,9,10,21	M-629122-S	21	Cap, fuel tank 2,4,7	15 173 02-S
17	Nut, hex. flange M6x1.0 (2) 1,2,4,5,7,9,10,21	M-641060-S	22	Line, fuel 13" (pump to fuel tank) 2,4,7	28 353 01-S
18	Tank, fuel 2,4,7	28 065 01-S	23	Bushing, fuel line 2,4,7	28 158 04-S
			24	Valve, fuel shut-off 2,4,7	25 462 03-S
			25	Bushing, fuel tank 2,4,7	25 313 01-S



Index Number	Description Variation Number	Part Number	Index Number	Description Variation Number	Part Number
26	Cover, valve #1 9,10	28 096 14-S	31	Carburetor assembly (For information only, not available separately) (Service with kits 28 757 08-S, 24 757 20-S, 9	28 053 06-S
27	Line, fuel 17-1/2" 9,10	28 353 02-S	31	Carburetor assembly (For information only, not available separately) (Service with kits 28 757 08-S, 24 757 20-S, 10	28 053 08-S
28	Line, vacuum 21-1/2" 9,10	28 353 03-S	32	Bracket, LP fuel 9,10	28 126 14-S
29	Clamp, hose (2) 9,10	X-426-3-S	33	Washer, lock 1/4" 9	X-22-11-S
30	Kit, carburetor with gaskets - LPG (Includes 11,13, 31, and Lead 28 518 04-S) 9	28 853 06-S	34	Screw, hex. flange M5x0.8x30 9	M-545030-S
30	Kit, carburetor with gaskets - LPG (Includes 11,13, 31, and Lead 28 518 04-S) 10	28 853 08-S	34	Screw, hex. flange M5x0.8x16 10	M-545016-S

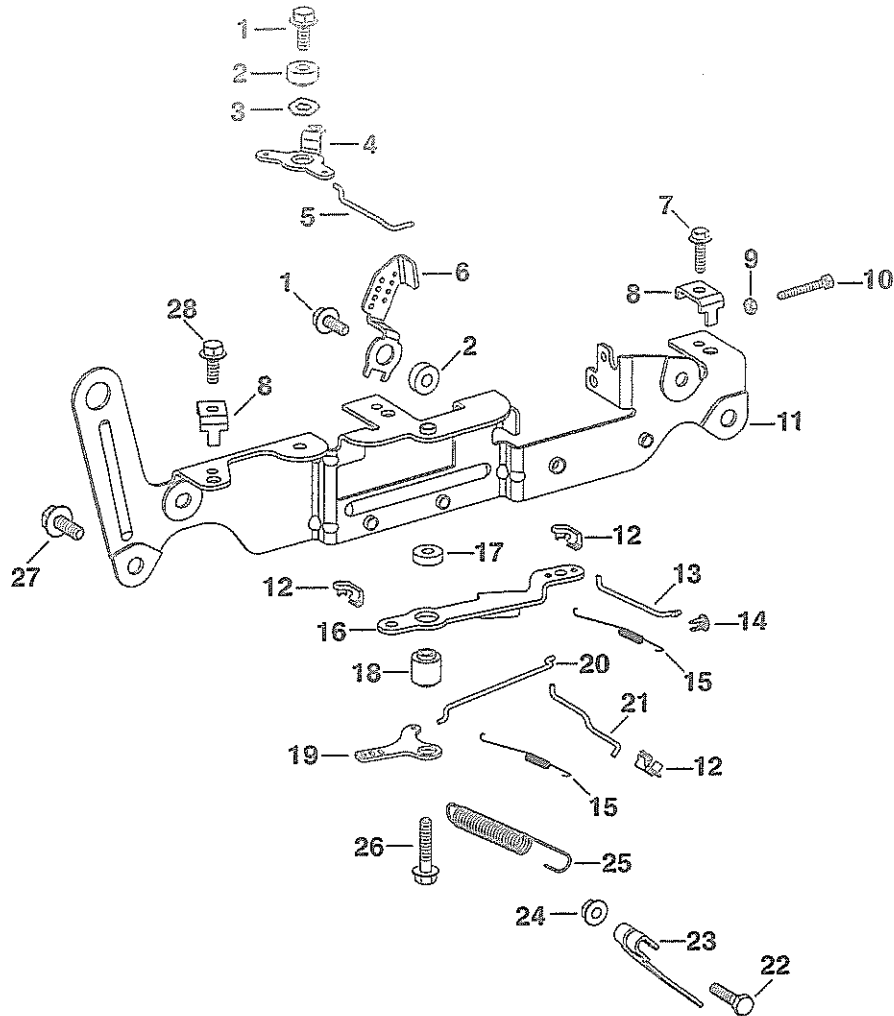
Fuel System
(Cont.)

TH16 & TH18

Index Number	Description Variation Number	Part Number	Index Number	Description Variation Number	Part Number
35	Clamp, spring hose (2) 9,10	25 237 01-S	Not Illustrated		
36	Regulator assembly, fuel (Includes 37-42) 9,10	12 403 04-S		Decal, fuel tank 2,4,7	12 113 21-S
37	Regulator, 2 stage fuel (Includes 38-40) 9,10	24 403 04-S		Decal, CO warning 9,10	25 113 19-S
38	Cap, primary 9,10	24 173 04-S		Filter, lock-off solenoid 9,10	24 050 04-S
39	Spring, anti-tamper 9,10	24 089 39-S		Kit, overhaul with gaskets (Includes 11,13) 1,2,4,5,7,8,21	28 757 05-S
40	Cap, secondary 9,10	24 173 05-S		Kit, float repair with gaskets (Includes 11,13) 1,2,4,5,7,8,21	28 757 06-S
41	Fitting, 90° barbed 9,10	24 294 10-S		Kit, solenoid repair with gaskets (Includes 11,13) 1,2,5,7,21	28 757 07-S
42	Solenoid, 12 VDC lock-off (Includes filter 24 050 04-S) 9,10	24 435 04-S		Kit, choke repair with gaskets (Includes 11,13) 1,2,4,5,7,8,9,10,21	28 757 08-S
				Kit, gasket with gaskets (Includes 11,13) 1,2,4,5,7,8,9,10,21	24 757 20-S
				Lead, red (18" - 18 gauge - terminals: 1 insulated socket, 1 insulated push on tab) 9,10	28 518 04-S

TH16 & TH18

Group 9 Engine Controls



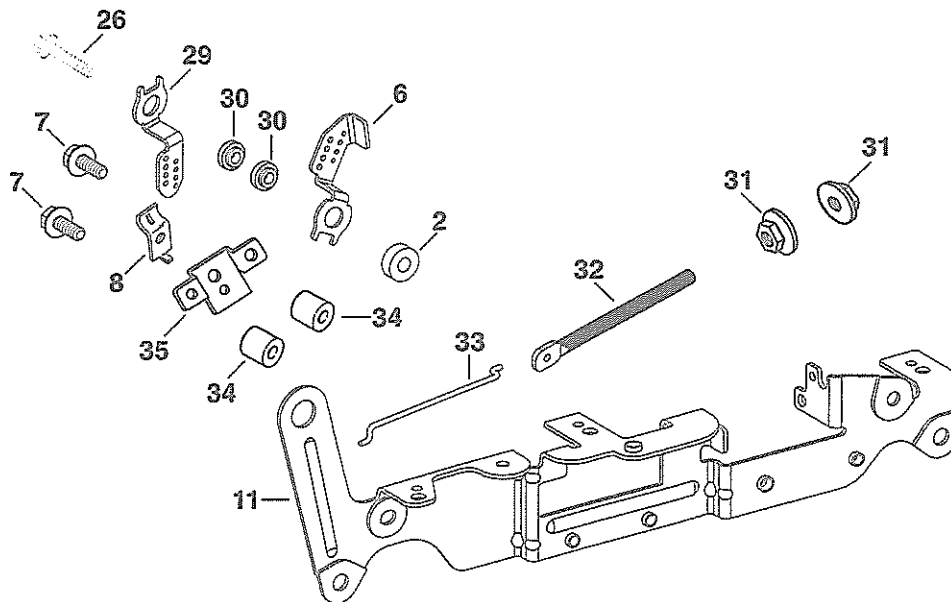
Index Number	Description Variation Number	Part Number	Index Number	Description Variation Number	Part Number
1	Screw, hex. flange M6x1.0x16 (2) 1,9,13,15,16,17,18,21	M-645016-S	8	Clamp, cable (2) 1,7,9,13,14,15,16,17,18,21	12 237 01-S
1	Screw, hex. flange M6x1.0x16 6,7,12,14,22	M-645016-S	8	Clamp, cable 6,12,22	12 237 01-S
2	Spacer (2) 1,7,9,13,15,16,17,18,21	15 112 08-S	9	Nut, hex. M4x0.7 1,7,9,13,14,15,16,17,18,21	M-446030-S
2	Spacer 6,12,14,22	15 112 08-S	10	Screw, hex. cap M4x0.7x30 1,7,9,13,14,15,16,17,18,21	M-401030-S
3	Washer, spring 7/16" 1,6,7,9,12,13,14,16,17,18,21,22	15 468 01-S	11	Bracket, control 1,6,7,9,12,13,14,15,16,17,18,21,22	28 126 03-S
4	Lever, choke 1,6,7,9,12,13,14,15,16,17,18,21,22	28 090 01-S	12	Bushing, linkage retaining (3) 1,6,7,9,12,13,14,15,16,17,18,21,22	25 158 11-S
5	Linkage, choke 1,6,7,9,12,13,14,15,16,17,18,21,22	28 079 05-S	13	Linkage, throttle 1,6,7,9,12,13,14,15,16,17,18,21,22	28 079 02-S
6	Lever, throttle 1,7,9,13,14,15,16,17,18,21	28 090 13-S	14	Bushing, linkage retaining 1,6,7,9,12,13,14,15,16,17,18,21,22	25 158 08-S
7	Screw, hex. flange M5x0.8x20 1,9,15,16,17,18	M-545020-S	15	Spring, linkage 1,7,9,12,13,14,15,16,17,21	28 089 03-S
7	Screw, hex. flange M5x0.8x20 (3) 7,14	M-545020-S	15	Spring, linkage (2) 6,18,22	28 089 07-S
7	Screw, hex. flange M5x0.8x20 (2) 13,21	M-545020-S	15	Spring, linkage 17	28 089 07-S

Engine Controls
(Cont.)

TH16 & TH18

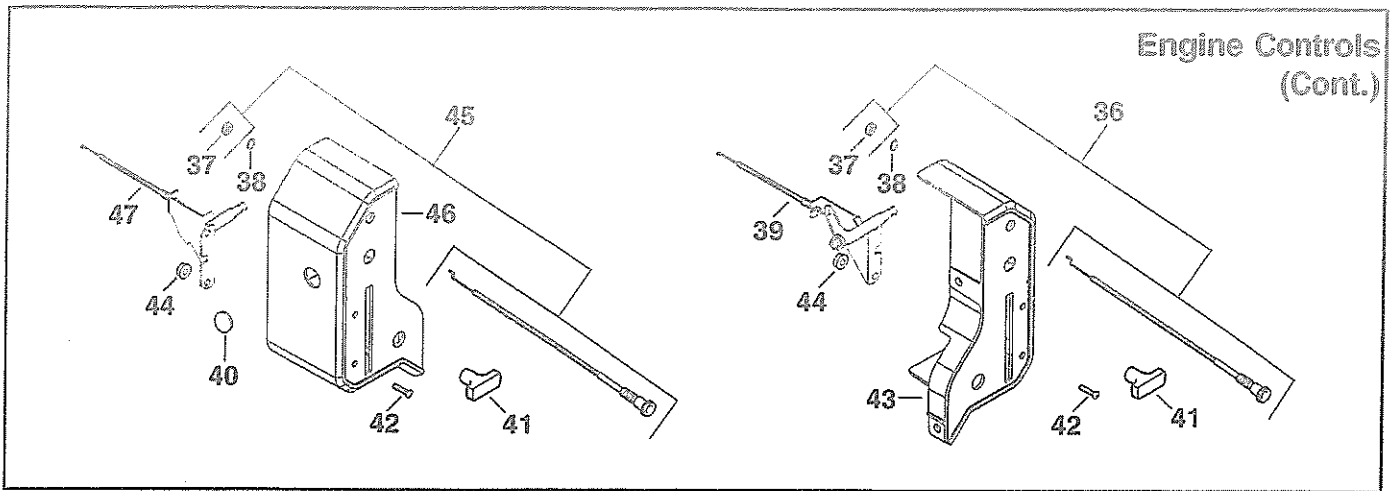
Index Number	Description Variation Number	Part Number	Index Number	Description Variation Number	Part Number
16	Lever, carburetor pivot 1,7,9,12,13,14,15,16,21	28 090 08-S	23	Lever, governor 1,6,7,9,12,13,14,15,16,17,18,21,22	28 090 12-S
16	Lever, carburetor pivot 6,17,18,22	28 090 11-S	24	Nut, hex. flange M6x1.0 1,6,7,9,12,13,14,15,16,17,18,21,22	M-641060-S
17	Spacer, pivot 1,6,7,9,12,13,14,15,16,17,18,21,22	28 112 01-S	25	Spring, governor (free length 70 mm) 1,7,13,14,15,16,21	28 089 05-S
18	Bushing, pivot 18 mm 1,7,9,12,13,14,15,16,21	28 158 03-S	25	Spring, governor (free length 73.5 mm) 6	28 089 08-S
18	Bushing, pivot 15.4 mm 6,17,18,22	28 158 05-S	25	Spring, governor (free length 80 mm) 9,12,17,18,22	28 089 06-S
19	Lever, governor spring pivot 1,6,7,9,12,13,14,15,16,17,18,21,22	28 090 06-S	26	Screw, thread forming M6x1.0x30 1,6,9,12,13,15,16,17,18,21,22	M-645030-S
20	Linkage, speed control lever 1,7,13,14,15,17,18,21	28 079 06-S	26	Screw, thread forming M6x1.0x30 (2) 7,14	M-645030-S
20	Linkage, speed control lever 9,16	28 079 08-S	27	Screw, hex. flange M6x1.0x20 (4) 1,6,7,9,12,13,14,15,16,17,18,21,22	M-651020-S
21	Linkage, governor 1,6,7,9,12,13,14,15,16,17,18,21,22	28 079 04-S	28	Screw, hex. flange M5x0.8x16 1,6,7,9,12,14,15,16,17,18,22	M-545016-S
22	Screw, hex. flange M6x1.0x25 1,6,7,9,12,13,14,15,16,17,18, 21,22	SM-642025-S			

Engine Controls
(Cont.)



Index Number	Description Variation Number	Part Number	Index Number	Description Variation Number	Part Number
29	Lever, throttle 7,14	28 090 07-S	33	Linkage, constant speed 6,12,22	28 079 07-S
30	Spacer (2) 7,14	15 112 04-S	34	Spacer (2) 7,14	24 112 08-S
31	Nut, hex. flange M5x0.8 (2) 6,12,22	M-541050-S	35	Bracket, clamp 7,14	28 126 08-S
32	Rod, constant speed 6,12,22	28 411 02-S			

TH16 & TH18

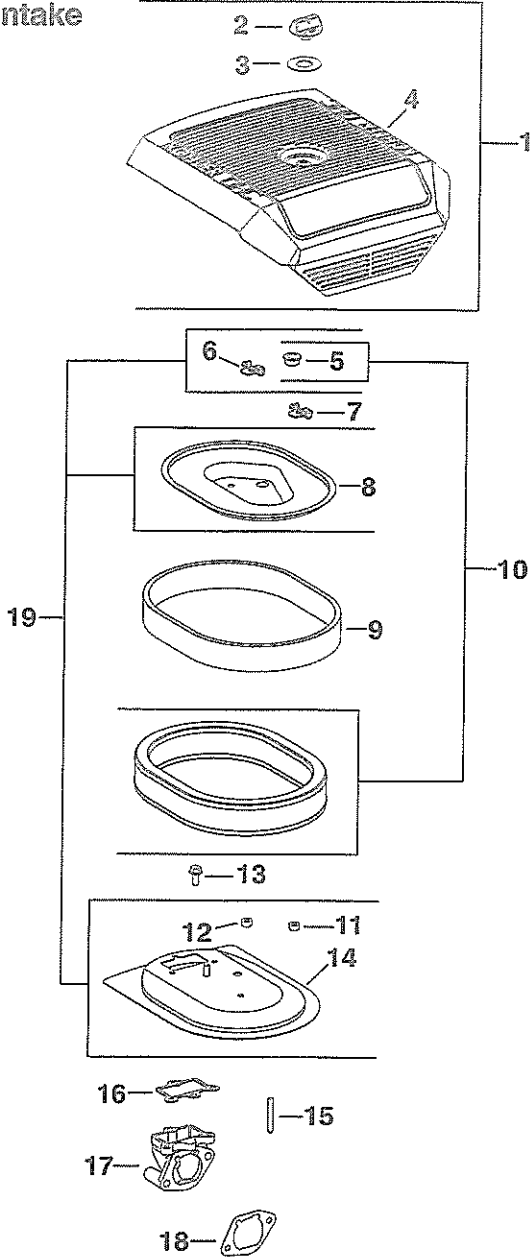


Engine Controls
(Cont.)

Index Number	Description Variation Number	Part Number	Index Number	Description Variation Number	Part Number
36	Cable assembly, choke (Includes 37) 13,21	28 225 02-S	44	Nut, hex. lock M5x0.8 (2) 7,13,21	M-547050-S
37	Nut, hex. 3/8-24 6,7,12,13,21,22	X-83-4-S	45	Cable assembly, choke (Includes 37) 6,7,12,22	28 225 04-S
38	Washer, lock 3/8" 6,7,13,21,22	X-22-10-S	46	Housing, control panel (#2 oil filter side) 6,7,22	28 081 04-S
39	Cable assembly, throttle 13,21	28 225 01-S	47	Cable assembly, throttle 7	28 225 03-S
40	Plug, button 6,7,13,21,22	28 139 01-S	Not Illustrated		
41	Knob 7,13,21	28 341 01-S		Decal, control panel 6,22	28 113 06-S
42	Screw, pan hd. M5x0.8x10 (2) 7,13,21	M-555010-S		Decal, control panel 13,21	28 113 05-S
43	Housing, control panel (#1 starter side) 13,21	28 081 03-S			

TH16 & TH18

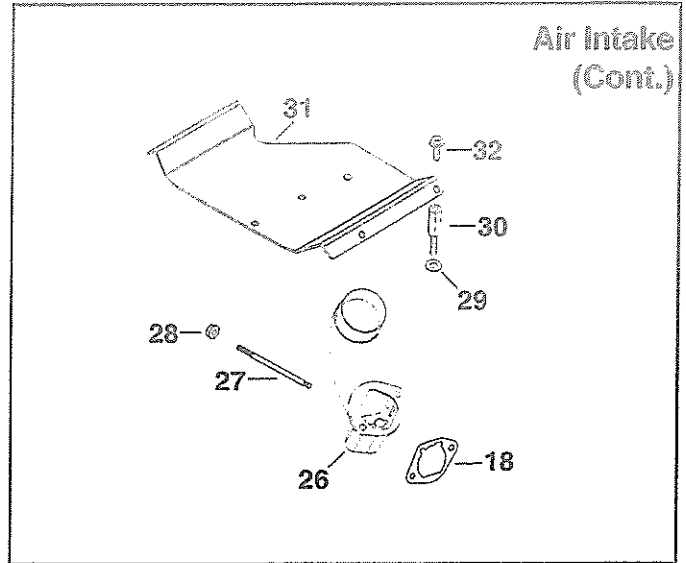
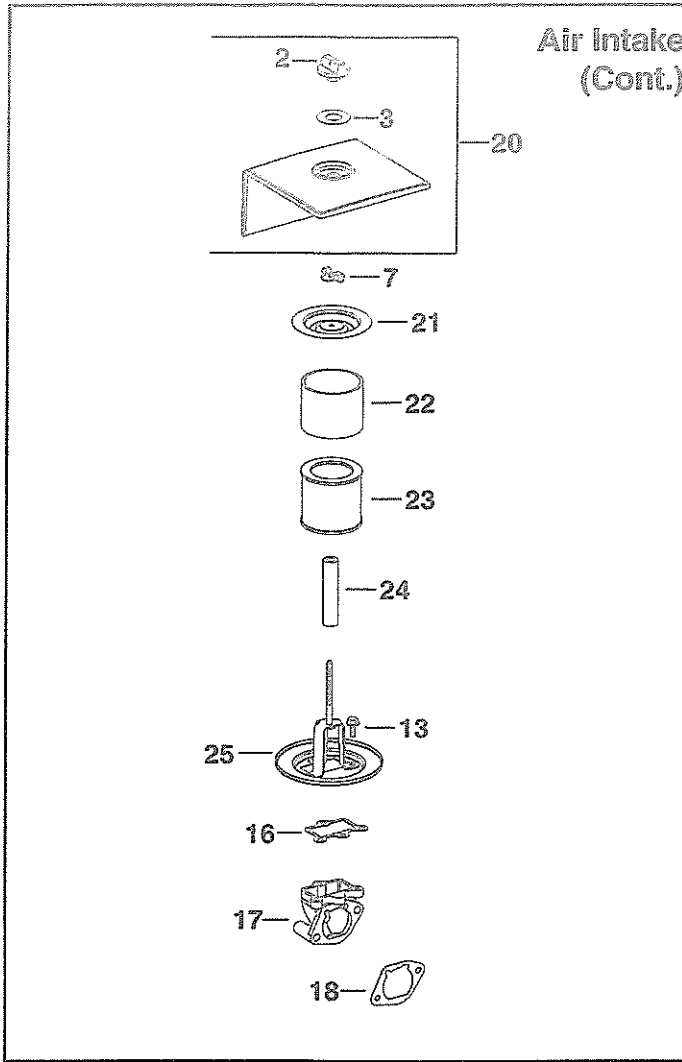
Group 10 Air Intake



Index Number	Description Variation Number	Part Number
6	Nut, wing 1,5,8,101	28 100 01-S
7	Nut, wing 1,2,5,8,101	12 100 01-S
7	Nut, wing (2) 6,102	12 100 01-S
8	Cover, inner air cleaner element 1	28 096 17-S
8	Cover, inner air cleaner element 5,8,101 Before Serial No. 2824400011 use kit:	28 743 05-S
8	Cover, inner air cleaner element (Replaced by 28 743 05-S) 102	28 096 17-S
9	Precleaner 1,5,8,101,102	28 096 06-S
10	Element, air cleaner (Includes 5 and grommet plug 28 313 03-S) 1,5,8,101,102	28 083 02-S
11	Seal 1,5,8,101	28 083 03-S
11	Seal (2) 102	24 032 03-S
12	Seal 1,5,8,101	24 032 03-S
13	Screw, hex. flange M6x1.0x16 (3) 1,2,8,101,102	28 032 10-S
13	Screw, hex. flange M6x1.0x20 (3) 5,6	M-645016-S
13		M-645020-S
14	Base, air cleaner 1	28 094 05-S
14	Base, air cleaner 5,8,101 Before Serial No. 2824400011 use kit:	28 743 05-S
14	Base, air cleaner (Replaced by 28 743 05-S) 102	28 094 05-S
15	Stud, 41.5 mm 1,5,8,101,102	28 094 01-S
15	Stud, 28 mm 6	28 072 01-S
15		28 072 03-S
16	Gasket, air cleaner base 1,2,8,101,102	28 041 04-S
16	Gasket, air cleaner base (2) 5,6	28 041 04-S
17	Elbow, air cleaner 1,2,5,6,8,101,102	28 054 01-S
18	Gasket, air cleaner elbow 1,2,4,5,6,8,101,102	24 041 14-S
19	Kit, air cover/base (Use before Serial No. 2824400011) (Includes 5,6,8,11,12,14) 5,101	28 743 05-S

Index Number	Description Variation Number	Part Number
1	Kit, air cleaner cover (Includes 2-4) 1,8,101,102	28 743 02-S
2	Knob, cover 1,2,5,8,101,102	25 341 03-S
3	Gasket, air cleaner cover knob 1,2,5,8,101,102	24 041 27-S
4	Cover, air cleaner (Replaced by 28 743 02-S) 1,8,101,102	28 096 01-S
5	Seal, carburetor adjustment screw 1,5,8,101,102	28 032 08-S

TH16 & TH18

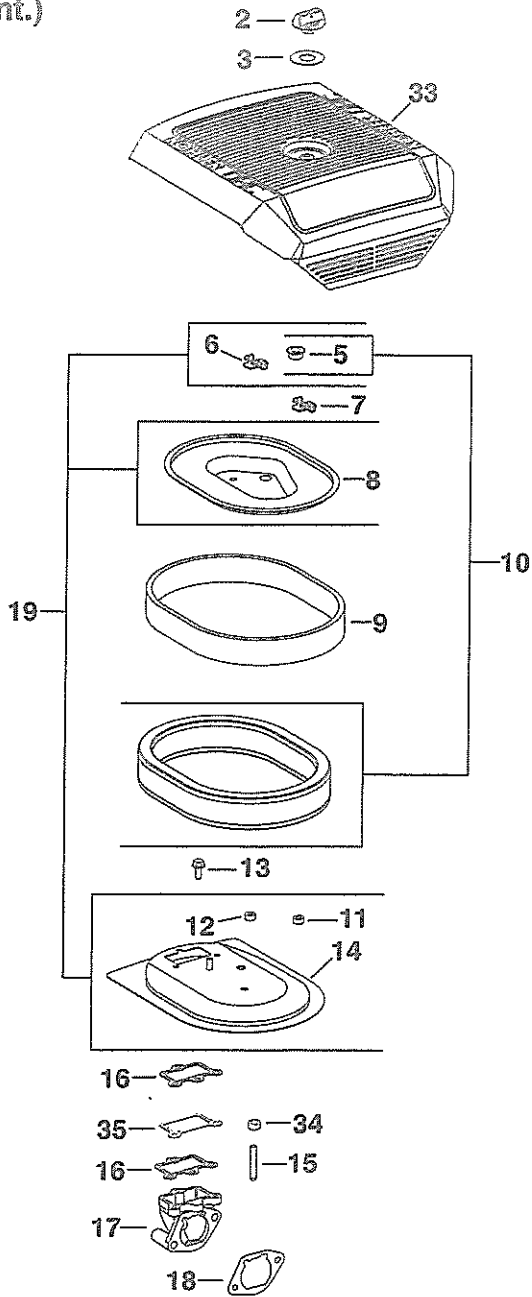


Index Number	Description Variation Number	Part Number
26	Adapter, remote air intake 4	28 029 10-S
27	Stud, M6x1.0x140 (2) 4	M-629140-S
28	Nut, hex. flange M6x1.0 (2) 4	M-641060-S
28	Nut, hex. flange M6x1.0 6	M-641060-S
29	Washer, plain 1/4" (4) 4	X-25-63-S
30	Spacer, threaded (4) 4	28 112 03-S
31	Bracket, mounting 4	28 126 15-S
32	Screw, hex. flange M6x1.0x10 (4) 4	M-639010-S

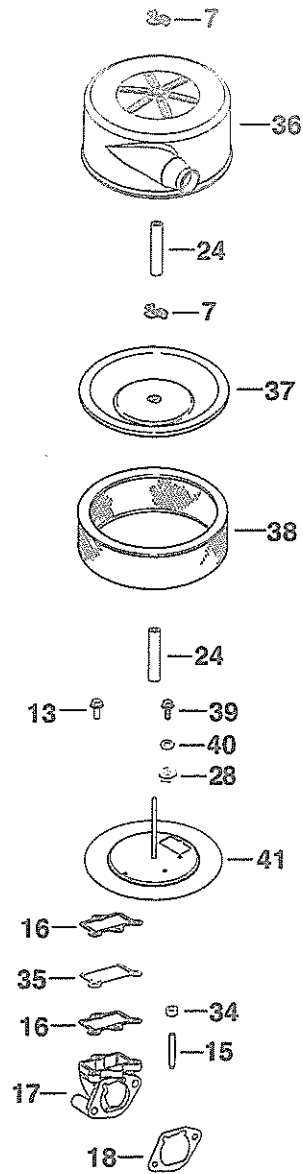
Index Number	Description Variation Number	Part Number
20	Kit, air cleaner cover (Includes 2,3) 2	28 743 03-S
21	Cover, inner air cleaner 2	28 096 09-S
22	Precleaner 2	28 083 06-S
23	Element, air cleaner 2	28 083 04-S
24	Seal, air cleaner - 2" 2	28 032 07-S
24	Seal, air cleaner - 2" (2) 6	28 032 07-S
25	Base, air cleaner 2	28 094 04-S

TH16 & TH18

Air Intake (Cont.)



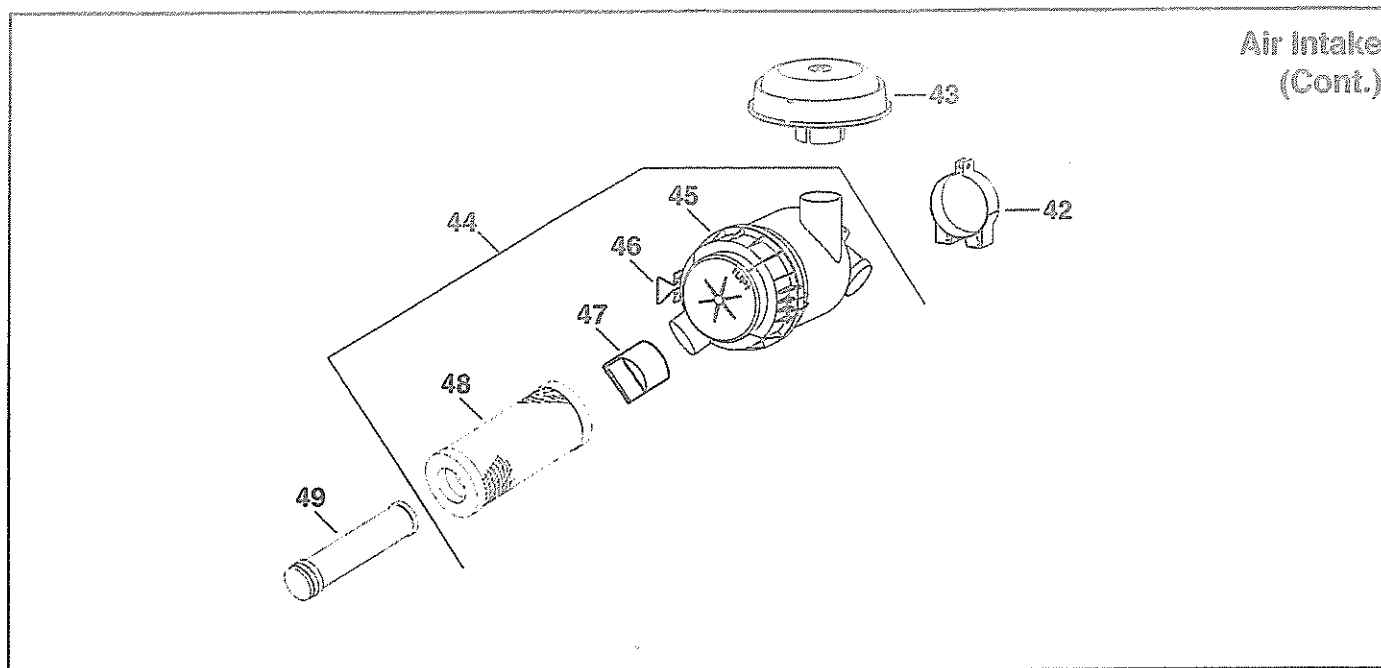
Air Intake (Cont.)



Index Number	Description Variation Number	Part Number
33	Cover, air cleaner 5	28 096 15-S
34	Spacer 3/8" O.D. x 1/4" I.D. x 1/4" 5,6	25 112 04-S
35	Spacer, air cleaner base 5,6	28 112 05-S

Index Number	Description Variation Number	Part Number
36	Cover, air cleaner 6	24 096 53-S
37	Cover, inner air cleaner element 6	24 096 01-S
38	Element, air cleaner 6	47 083 03-S
39	Screw, hex. flange M6x1.0x10 6	M-639010-S
40	Washer, plain 1/4 6	X-25-8-S
41	Base, air cleaner 6	28 094 03-S

TH16 & TH18

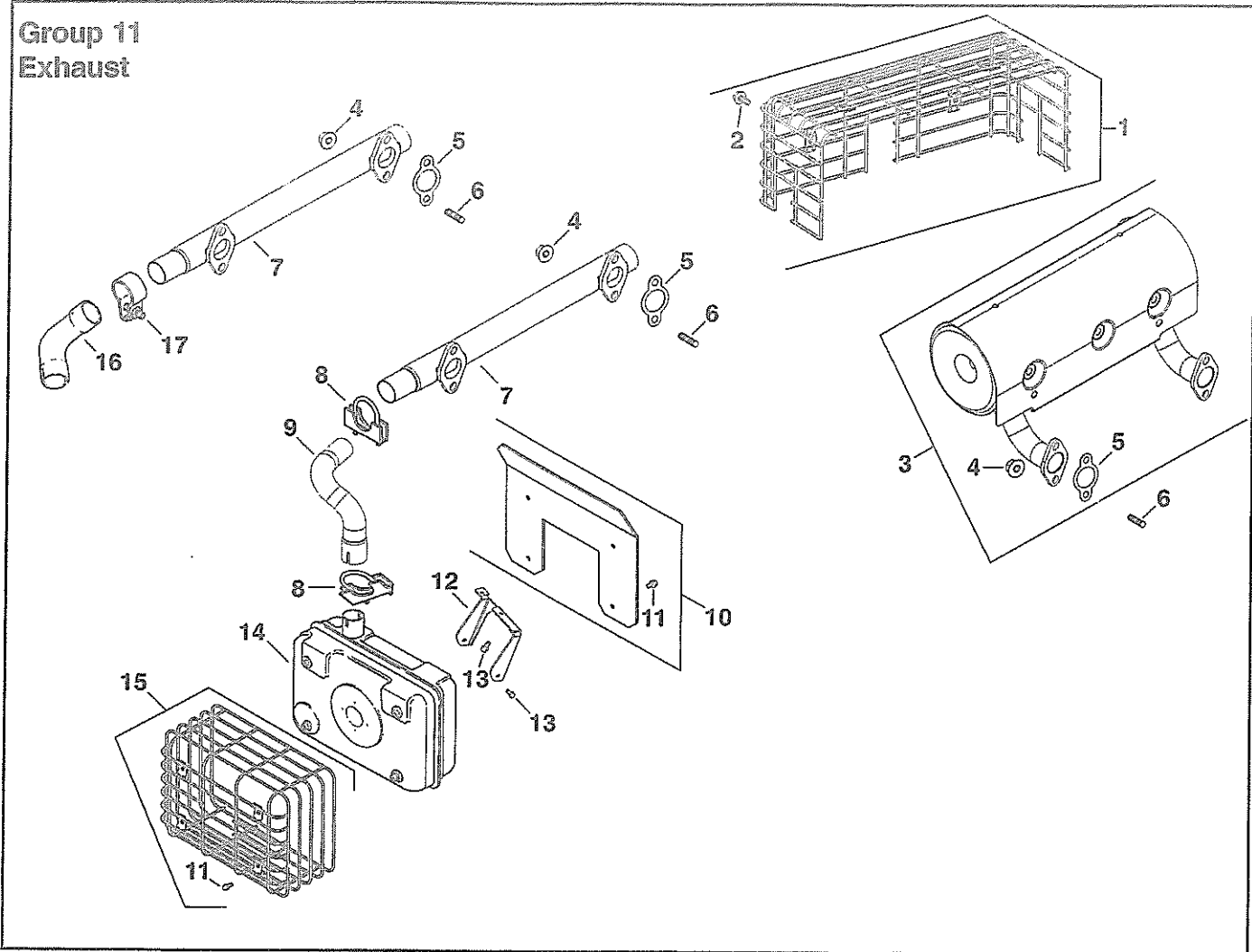


Air Intake
(Cont.)

Index Number	Description Variation Number	Part Number	Index Number	Description Variation Number	Part Number
42	Bracket, air cleaner 6	25 126 01-S	46	Clip (2) 6	25 154 05-S
43	Hood, air cleaner 6	25 324 01-S	47	Valve, dust ejector 6	24 462 07-S
44	Cleaner assembly, air (Includes 45-48) 6	25 048 05-S	48	Element, primary air cleaner 6	25 083 02-S
45	Cover assembly, plastic air cleaner 6	25 096 05-S	49	Element, safety air cleaner 6	25 083 03-S

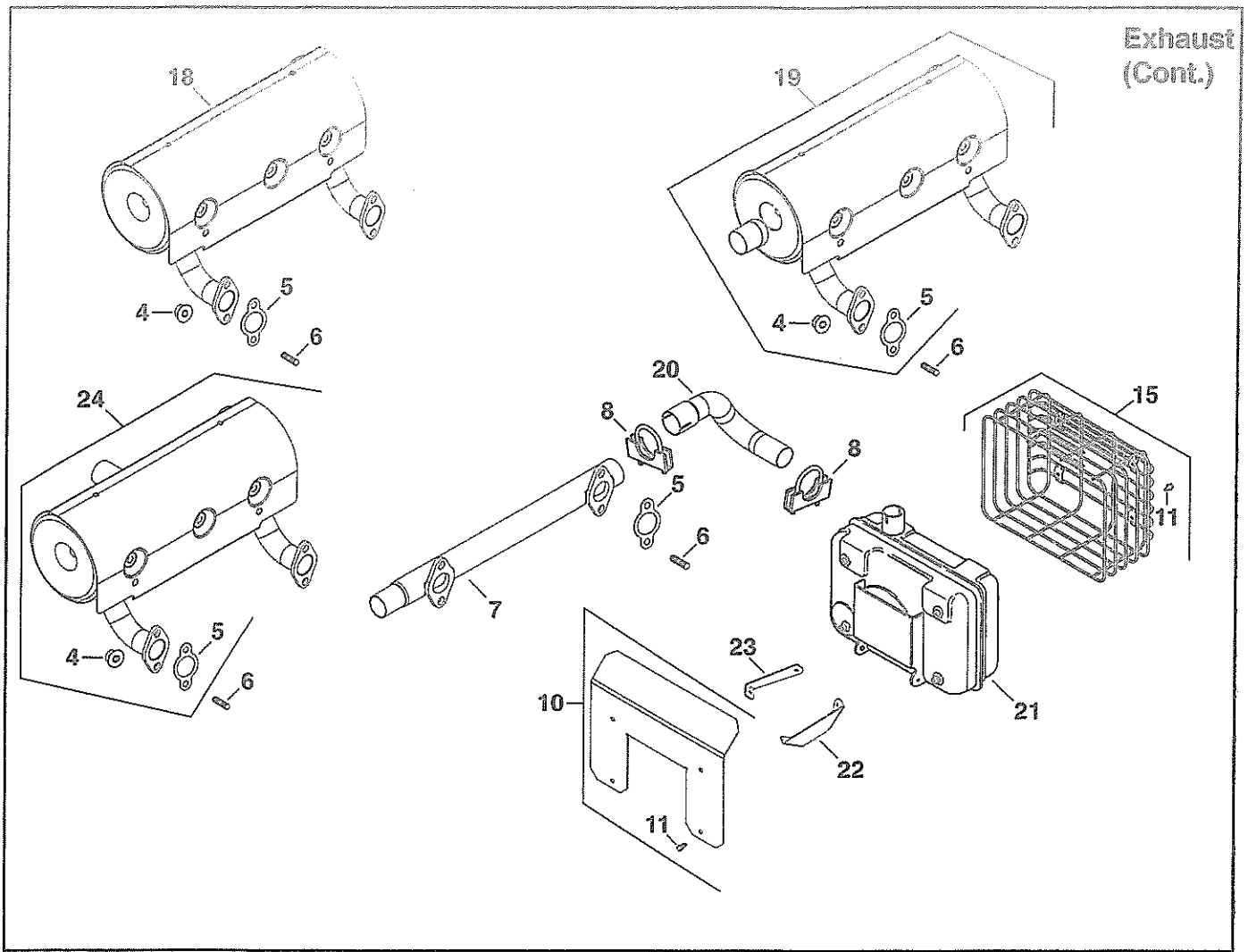
TH16 & TH18

Group 11 Exhaust



Index Number	Description Variation Number	Part Number	Index Number	Description Variation Number	Part Number
1	Kit, muffler guard (Includes 2) 5	28 755 10-S	9	Pipe, #2 side exhaust 7	28 382 04-S
2	Screw, hex. flange M5x0.8x10 (4) 5	M-545010-S	10	Kit, heat shield (Includes 11 [qty. 4]) 7,11	24 755 45-S
3	Kit, #1 starter side outlet muffler (Includes 4,5) 5	28 786 04-S	11	Screw, hex. flange M5x0.8x10 (8) 7,11	M-550010-S
4	Nut, hex. flange M8x1.25 (4) 3,5,7,8,10,11,12,13	M-841060-S	12	Bracket, #2 side muffler 7	28 126 10-S
4	Nut, hex. flange M8x1.25 (4) 6,9,100,101	M-841080-S	13	Screw, hex. flange M6x1.0x16 (4) 7,11	M-645016-S
5	Gasket, exhaust (2) 3,5,6,7,8,9,10,11,12,13,100,101	24 041 02-S	14	Muffler, #2 oil filter side 7	24 068 14-S
6	Stud, M8x1.25x33 (4) (Replaced by 25 072 04) 1,101	M-829033-S	15	Kit, muffler guard (Includes 11 [qty. 4]) 7,11	24 755 22-S
6	Stud, M8x1.25x33 (4) 3,5,6,7,8,9,10,11,12,13,100	25 072 04-S	16	Elbow, exhaust 8	25 054 04-S
7	Manifold, exhaust 3,7,8,11,13,100	28 164 01-S	17	Clamp, muffler 8	12 237 02-S
8	Clamp, muffler (2) 7,11	24 237 01-S			

TH16 & TH18



Index Number	Description Variation Number	Part Number	Index Number	Description Variation Number	Part Number
18	Muffler, #1 starter side outlet 9	28 068 10-S	22	Bracket, front muffler 11	28 126 19-S
19	Kit, #2 oil filter side outlet muffler (Includes 4,5) 10	28 786 05-S	23	Bracket, rear muffler 11	28 126 20-S
20	Pipe, #2 side exhaust 11	28 382 03-S	24	Kit, center outlet muffler (Includes 4,5) 12	28 786 03-S
21	Muffler, #1 starter side 11	24 068 13-S			

TH16 & TH18

Description (Qty.)	Part Number
Kit, gasket and seal	28 755 13-S
Kit Includes:	
Pin, roll	X-280-15-S
Seal, inner air cleaner (2)	24 032 03-S
Gasket, exhaust (2)	24 041 02-S
Gasket, air cleaner base	24 041 14-S
Gasket, carburetor	24 041 15-S
Gasket, air cleaner cover knob	24 041 27-S
Seal, valve stem (2)	28 032 01-S
Seal, oil	28 032 02-S
Seal, oil	28 032 03-S
Seal, oil	28 032 04-S
Seal, oil	28 032 05-S
Seal, governor cross shaft	28 032 06-S
Seal	28 032 07-S
Seal, carburetor adjustment screw	28 032 08-S
Gasket, valve cover #1	28 041 02-S
Gasket, valve cover #2	28 041 03-S
Gasket, air cleaner base	28 041 04-S
Gasket, breather cover	28 041 06-S
O-Ring (2)	28 153 01-S
Grommet, breather	28 313 01-S
Pin, coiled spring	28 380 01-S

FOR SALES AND SERVICE INFORMATION
IN U.S. AND CANADA, CALL
1-800-544-2444

KOHLER engines
BORN TO RUN™

ENGINE DIVISION, KOHLER CO., KOHLER, WISCONSIN 53044

FORM NO.: TP-2481
ISSUED: 4/99
REVISED:
MAILED: 4/99

LITHO IN U.S.A.