



Kohler 17 hp

Spare parts

Ersatzteile

Pièces détachées

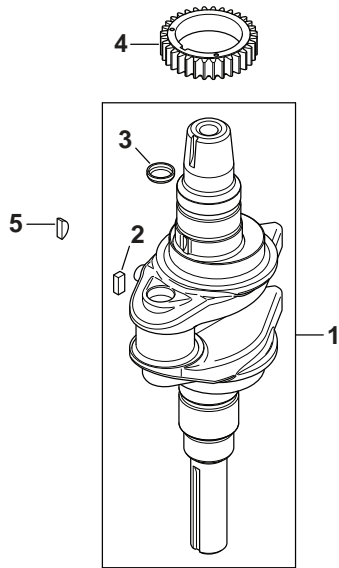
Reserve onderdelen

Repuestos

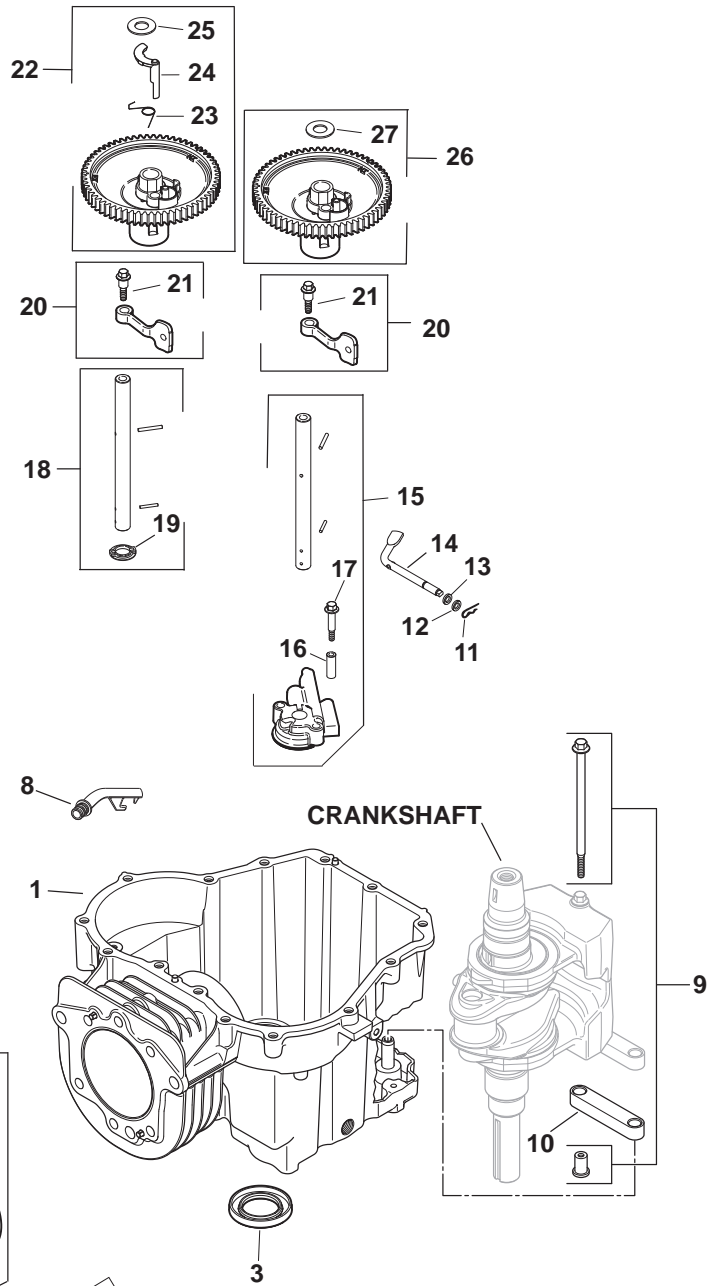
Reservdelar

KOHLER ENGINE - MODEL NO. SV530, TYPE NO.0024

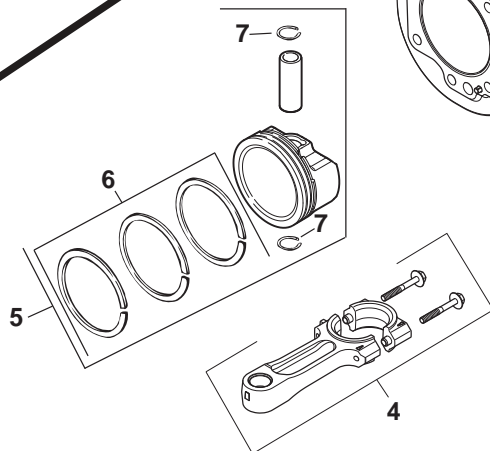
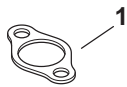
CRANKSHAFT



CRANKCASE



ACCESSORIES



KOHLER ENGINE - MODEL NO. SV530, TYPE NO.0024

CRANKSHAFT

KEY NO.	PART NO.	DESCRIPTION
1	531 02 95-52 1	Kit, crankshaft (includes 2,3)
2	510 43 92-01 1	Key, straight
3	523 06 02-01 1	Plug, cup
4	531 02 95-12 1	Gear, crankshaft
5	531 02 95-11 1	Key, 3/16" x 5/8"

CRANKCASE

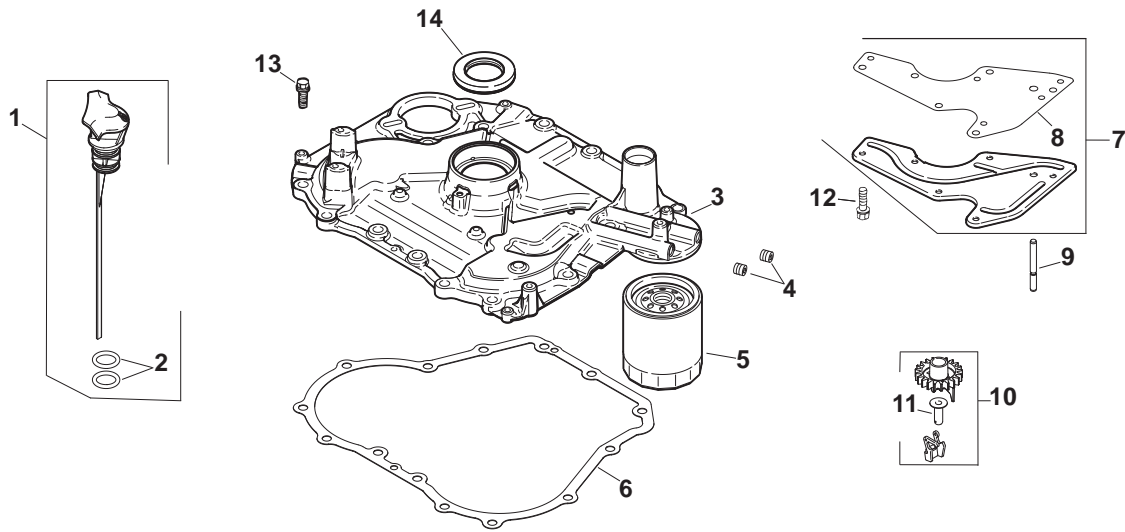
KEY NO.	PART NO.	DESCRIPTION
1		Crankcase (use short block)
3	531 02 95-14 1	Seal, oil
4	523 06 03-01 1	Rod, connecting
5	531 02 95-77 1	Kit, piston w/ring set (89mm) (includes 6,7)
6	531 02 96-86 1	Ring set (89mm)
7	531 02 95-19 2	Retainer, piston pin
8	531 02 98-85 1	Tube, drainback
9	531 02 95-21 1	Kit, locating pin
10	504 57 79-01 1	Linkage, balance weight
11	531 02 95-23 1	Clip, hitch pin
12	531 02 95-24 1	Washer, flat 6 mm
13	531 02 95-39 1	Washer, flat 1/4"
14	531 02 95-25 1	Shaft, governor cross
15	531 02 98-39 1	Kit, oil pump assembly (includes 16,17)
16	531 02 95-27 2	Spacer, oil pump screw
17	531 02 95-28 2	Screw, oil pump
18	531 02 98-77 1	Kit, camshaft cntr-exhaust (includes 19)
19	531 02 95-32 1	Washer, thrust
20	531 02 95-33 2	Kit, cam lever assembly (includes 21)
21	531 02 95-34 2	Screw, shd thd frm m6x1x26
22	531 02 95-35 1	Kit, camshaft assembly (includes 23-25)
23	531 02 95-36 1	Spring, acr
24	531 02 95-37 1	Weight, acr
25	531 02 95-38 1	Washer, thrust -acr
26	531 02 95-35 1	Kit, camshaft assembly (includes 27)
27	531 02 95-38 1	Washer, thrust -acr

ACCESSORIES

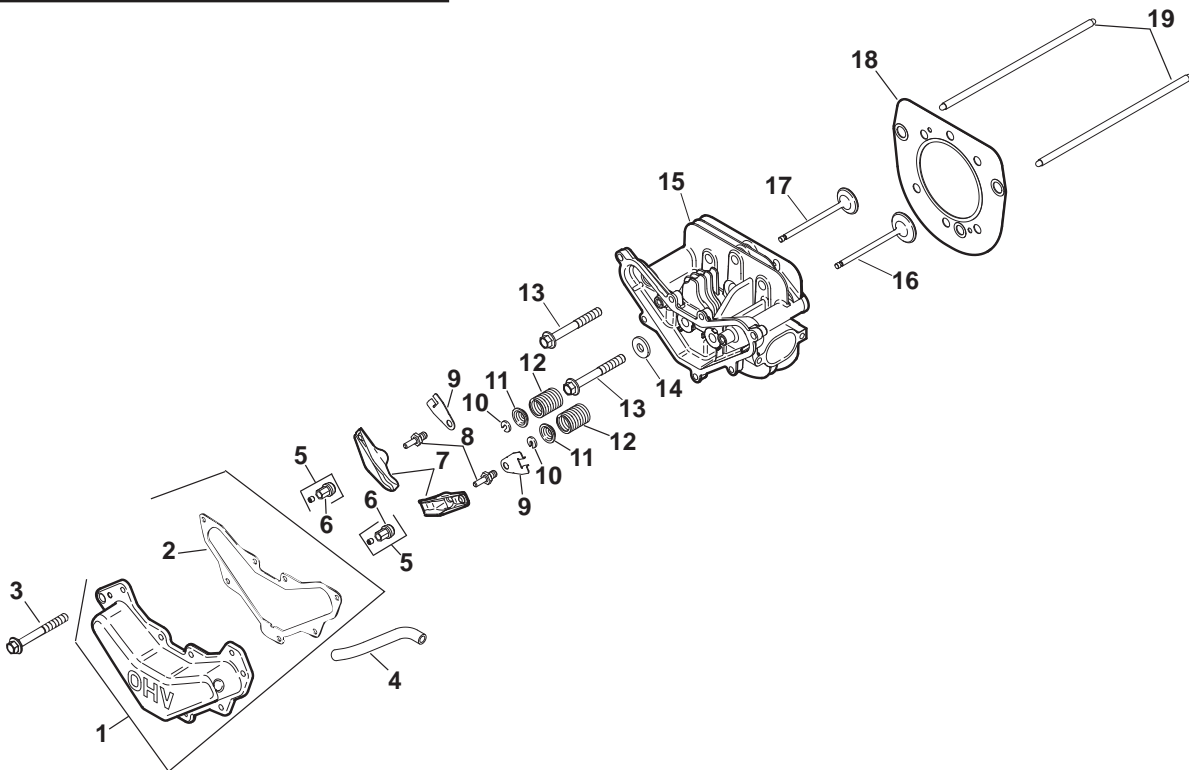
KEY NO.	PART NO.	DESCRIPTION
1	531 02 96-32 1	Gasket, exhaust

KOHLER ENGINE - MODEL NO. SV530, TYPE NO.0024

OIL PAN / LUBRICATION



HEAD / VALVE / BREATHER



KOHLER ENGINE - MODEL NO. SV530, TYPE NO.0024

OIL PAN/LUBRICATION

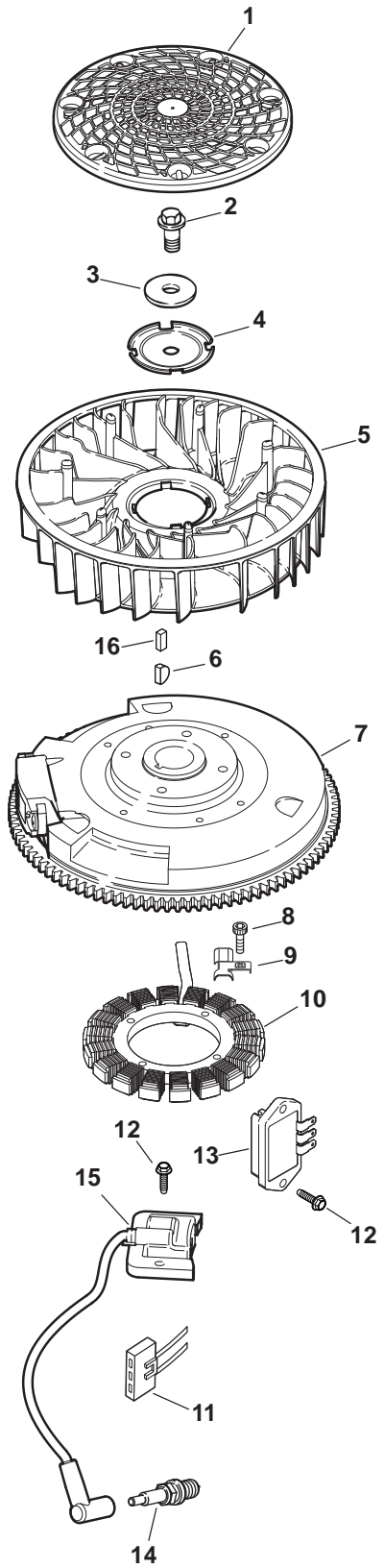
KEY NO.	PART NO.	DESCRIPTION
1	510 44 22-01 1	Kit, dipstick blade (yellow) (includes 2)
2	531 02 95-41 2	O-ring
3	504 57 73-01 1	Kit, closure plate assembly (includes 4, 7-12, 14)
4	531 02 95-43 2	Plug, ctsk pipe 1/8"
5	531 02 95-03 1	Filter, oil
6	531 02 95-44 1	Gasket, closure plate
7	531 02 95-45 1	Kit, oil passage cover (includes 8)
8	531 02 95-46 1	Gasket, oil passage
9	531 02 95-47 1	Shaft, governor cross
10	531 02 95-48 1	Kit, governor gear assy (includes 11)
11	531 02 95-49 1	Pin, governor regulating
12	531 02 95-50 6	Screw, flg thd frm m5x0.8x13
13	504 58 04-01 14	Hex flange screw, 1/2 dog point
14	531 02 95-14 1	Seal, oil

HEAD/VALVE/BREATHER

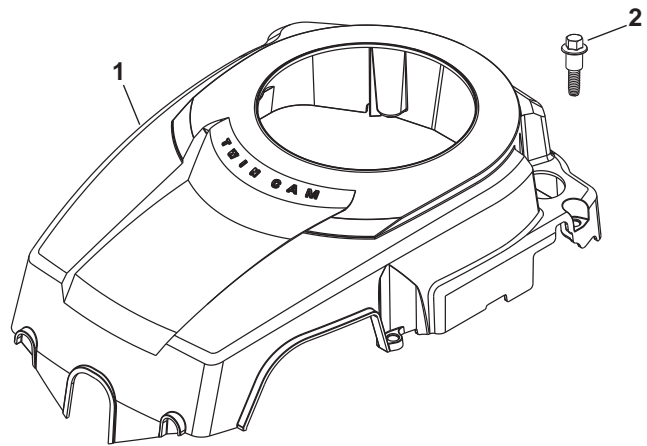
KEY NO.	PART NO.	DESCRIPTION
1	531 02 98-78 1	Kit, valve cover (includes 2)
2	531 02 95-54 1	Gasket, valve cover
3	531 02 95-55 7	Screw, flg thd frm m6x1.0x20
4	531 02 95-56 1	Hose, breather
5	531 02 95-57 2	Pivot, rocker arm
6	531 02 95-58 2	Screw, set
7	531 02 95-59 2	Arm, rocker
8	510 43 90-01 2	Stud, rocker
9	531 02 95-61 2	Plate, push rod guide
10	531 02 95-62 2	Lock, retainer
11	531 02 95-63 2	Cap, valve spring
12	531 02 95-64 2	Spring, valve
13	531 02 95-65 6	Screw, flg m10x1.5x80
14	531 02 95-66 1	Washer, flat 13/32"
15	531 02 95-67 1	Cylinder head assembly
16	531 02 95-68 1	Valve, exhaust
17	531 02 95-69 1	Valve, intake
18	531 02 96-90 1	Kit, cylinder head gasket (includes 2,13,14,12 041 01-s, 12 041 02-s & 20 041 07-s)
19	531 02 95-71 2	Rod, push

KOHLER ENGINE - MODEL NO. SV530, TYPE NO.0024

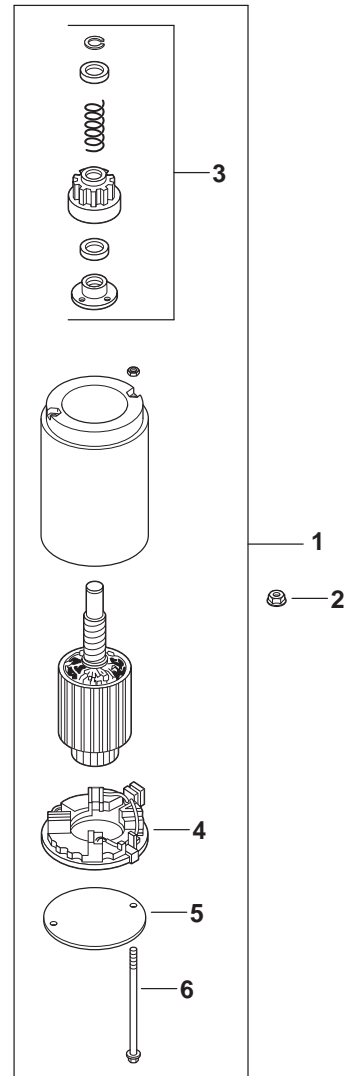
IGNITION / ELECTRICAL



BLOWER HOUSING & BAFFLES



STARTING SYSTEM



KOHLER ENGINE - MODEL NO. SV530, TYPE NO.0024

IGNITION/ELECTRICAL

KEY NO.	PART NO.	DESCRIPTION
1	531 02 95-72 1	Screen, grass
2	504 57 86-01 1	Screw, hex flange
3	504 58 05-01 1	Washer, flat
4	544 93 68-01 1	Plate, fan mounting
5	531 02 95-76 1	Fan
6	531 02 95-11 1	Key, 3/16" x 5/8" (before s/n 3802500013)
7	510 43 91-01 1	Flywheel
8	531 02 98-87 2	Screw, thd frm m5x0.8x25
9	504 57 78-01 1	Clip, wire
10	531 02 95-82 1	Kit, 15 amp stator (includes 25 452 01-s)
11	523 06 06-01 1	Connector
12	531 02 95-84 4	Screw, flg thd frm m5x.8x20
13	504 57 71-01 1	Regulator/rectifier
14	531 02 99-75 1	Spark plug, rfi
15	531 02 95-87 1	Module, ignition (cdi fixed)
16	510 43 92-01 1	Key, straight flywheel (after s/n 3802500003)

NOT ILLUSTRATED

523 06 07-01 1	Harness, wiring
544 93 71-01 1	Tie
544 93 75-01 1	Terminal

BLOWER HOUSING & BAFFLES

KEY NO.	PART NO.	DESCRIPTION
1	531 02 95-89 1	Kit,blower housing
2	531 02 95-34 4	Screw, shd thd frm m6x1x26

NOT ILLUSTRATED

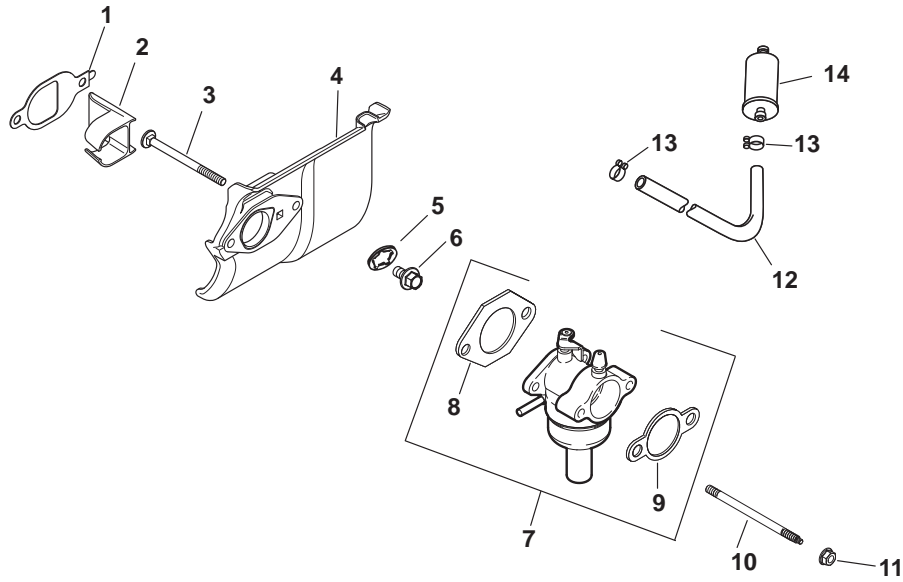
531 02 99-27 1	Nameplate, service
----------------	--------------------

STARTING SYSTEM

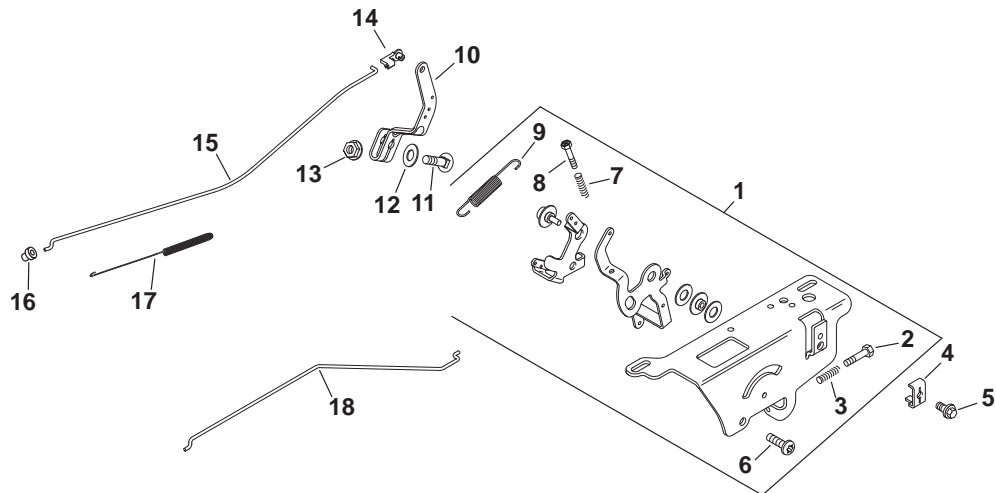
KEY NO.	PART NO.	DESCRIPTION
1	531 02 95-93 1	Starter assembly (includes 3-6)
2	531 02 95-94 2	Nut, free spinning flg #10-24
3	504 57 85-01 1	Kit, drive (j.E.)
4	504 57 72-01 1	Brush, kit
5	504 57 82-01 1	Cap, drive end (j.E.)
6	504 57 80-01 1	Bolt, thru

KOHLER ENGINE - MODEL NO. SV530, TYPE NO.0024

FUEL SYSTEM



ENGINE CONTROLS



KOHLER ENGINE - MODEL NO. SV530, TYPE NO.0024

FUEL SYSTEM

KEY NO.	PART NO.	DESCRIPTION
1	504 57 75-01 1	Gasket, heat deflector
2	544 93 69-01 1	Insert, intake port
3	504 57 77-01 1	Stud, carburetor
4	523 06 08-01 1	Kit, heat deflector (includes 1-3, 9)
5	531 02 96-06 1	Washer, int tooth lock 1/4"
6	531 02 95-97 1	Screw, flg m6x1.0x20
7	531 02 99-41 1	Kit, carburetor w/gaskets (includes 8,9)
8	531 02 95-99 1	Gasket, carburetor
9	531 02 96-00 1	Gasket, air cleaner base
10	531 02 96-01 1	Stud, m6x1.0x100
11	531 02 96-02 2	Nut, flg m6x1.0
12	531 02 99-87 1	Line, fuel (24"-cut to length)
13	531 02 96-04 2	Clamp, spring hose 1/2"
14	531 02 95-02 1	Filter, fuel

NOT ILLUSTRATED

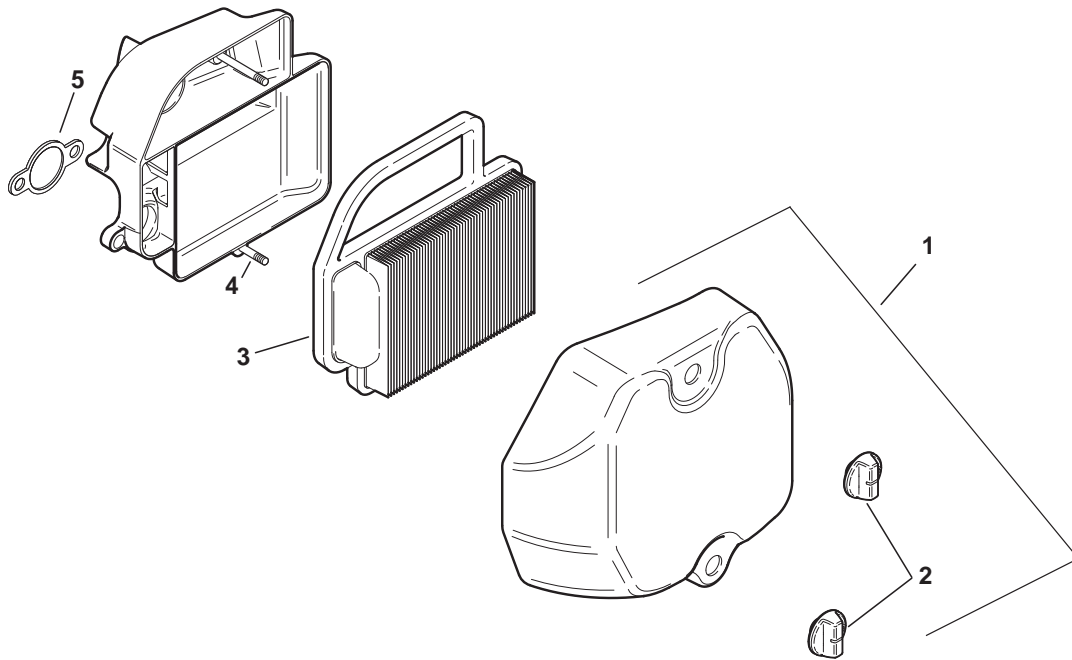
544 93 71-01 1	Tie
531 02 96-07 1	Kit, repair float
531 02 96-08 1	Kit, repair carburetor
531 02 96-09 1	Kit, repair solenoid
531 02 96-10 1	Kit, repair bowl replacement
531 02 99-98 1	Kit, high altitude (5000 ft)
544 36 89-01 1	Kit, high altitude (10,000 ft)

ENGINE CONTROLS

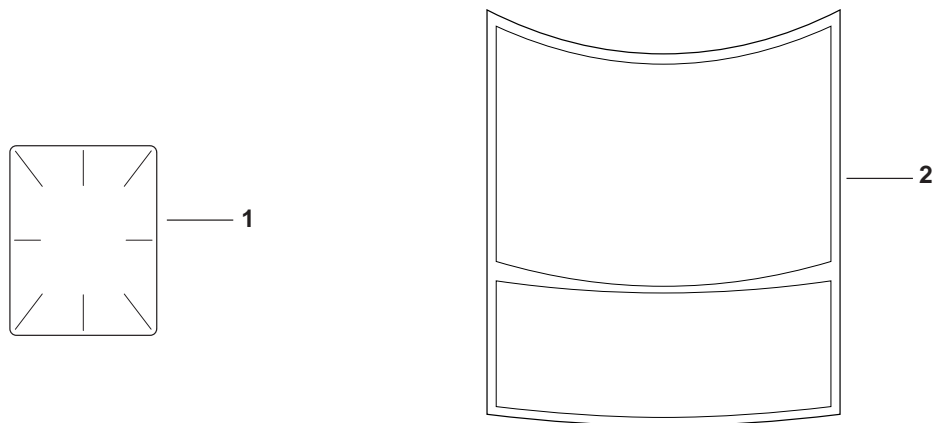
KEY NO.	PART NO.	DESCRIPTION
1	531 02 98-79 1	Kit, speed control assembly (includes 2,3, 6-9)
2	531 02 96-18 1	Screw, phl thd frm m4x0.7x25
3	531 02 96-17 1	Spring, speed control (short)
4	531 02 96-13 1	Clamp, cable
5	531 02 96-14 1	Screw, lbd thd frm m5x0.8x16
6	531 02 96-15 2	Screw, lbd skt m6x1.0x20
7	531 02 96-17 2	Spring, speed control (short)
8	531 02 96-18 2	Screw, phl thd frm m4x0.7x25
9	531 02 96-23 1	Spring, governor
10	531 02 96-19 1	Lever, governor
11	531 02 96-20 1	Bolt, rd hd sq nck 1/4-20x1"
12	531 02 96-06 1	Washer, int tooth lock 1/4"
13	531 02 96-22 1	Nut, hex flg 1/4-20"
14	531 02 96-24 1	Bushing, throttle linkage
15	531 02 96-25 1	Linkage, throttle
16	531 02 96-26 1	Bushing, linkage retaining
17	531 02 98-96 1	Spring, linkage
18	531 02 96-16 1	Linkage, choke

KOHLER ENGINE - MODEL NO. SV530, TYPE NO.0024

AIR INTAKE / FILTRATION



DECALS



Artwork is representative.
Actual labels may differ depending on model and specification number.

KOHLER ENGINE - MODEL NO. SV530, TYPE NO.0024

AIR INTAKE/FILTRATION

KEY NO.	PART NO.	DESCRIPTION
1	531 02 97-25 1	Kit, air cleaner cover
2	531 02 98-38 2	Knob, cover
3	531 02 95-01 1	Element, air cleaner
4	504 57 76-01 2	Stud, air cleaner base
5	531 02 96-00 1	Gasket, air cleaner base

DECALS

KEY NO.	PART NO.	DESCRIPTION
1	531 02 98-42 1	Decal, clear laminate
2	531 02 97-57 1	Decal, 17hp

SHORTBLOCK

KEY NO.	PART NO.	DESCRIPTION
	522 90 58-01 1	Sv530/540 short block
	531 02 96-34 1	Gasket set