

# PARTS MANUAL

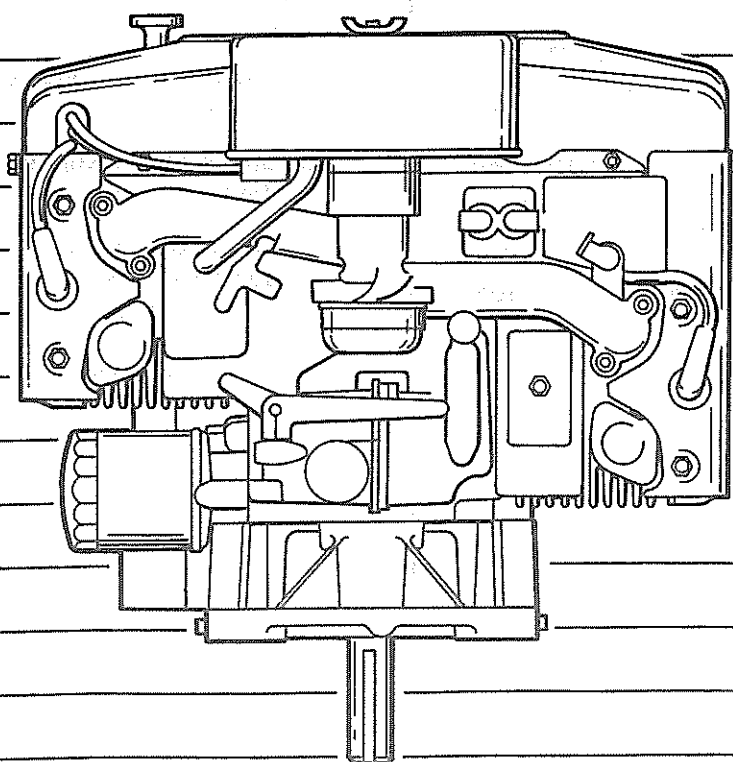
# MAGNUM

MODEL	HP	ENGINE SPECS
-------	----	--------------

MV16	16	56501-56518
------	----	-------------

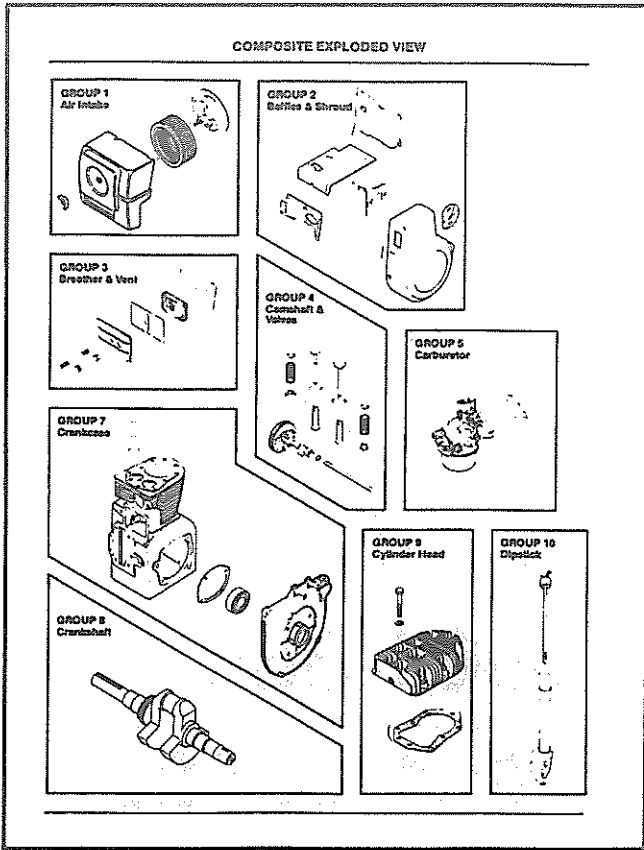
MV18	18	58501-58539
------	----	-------------

MV20	20	57501-57514
------	----	-------------



**KOHLER**  
engines

# HOW TO FIND YOUR PART NUMBER



1. Turn the page of the parts manual to the "Composite Exploded View." Notice the boxed groupings identified by their function along with corresponding number. The group function and number applies to all engine models.

For Example:

Function (Group Description)	Group Number
Air Intake .....	1
Baffles & Shroud .....	2
Breather & Vent .....	3
Camshaft & Valves .....	4
Carburetor .....	5
Electric Starter .....	11
Ignition .....	18
etc.	

Remember the Group Number in which you located your part. (If the part you need is not illustrated, locate a major engine function related to your part and use that Group Number.)

**SPECIFICATION NUMBER INDEX**

Group Title & Number	1	2	3	4	5	7	8	9	10	11	12	13	14	15	16	17	18	19	21	22	23	24	25	26	
	Air Intake	Baffles & Shroud	Breather & Vent	Camshaft & Valves	Carburetor	Crankcase	Crankshaft	Cylinder Head	Dipstick	Electric Start	Exhaust	Flywheel	Fuel Pump	Fuel Tank	Gear Reduction Governor	Ignition	Instrument Panel	Oil Pan	Piston & Rod	Retractable Start	Outlet Oil				
Page	7	8	9	10	11	12	13	14	15	16	17	18	19	20	21	22	23	24	25	26					
Spec. No.	Variation Number																								
461500	576	573	512	26	76	213	105	60	568	44	717	582	566	576	737	544	554								
461501	576	1	512	26	76	213	105	60	568	44	715	582	566	576	737	544	554	1	511						
461502	576	11	512	26	76	213	105	60	568	576	44	716	582	566	575	736	543	553	1	511					
461503	576	576	512	26	76	213	105	60	568	576	44	744	582	566	575	736	543	553	1	511					
461504	576	172	512	26	76	213	105	60	568		44	706	582	566	576	736	544	554	1	511					
461505	576	171	512	26	76	213	105	60	568	576	44	716	582	566	576	736	543	553	1	511					

Contact your Kohler engine parts supplier for any specifications not listed. For MiniBlocks, Short Blocks, and Replacement Engines refer to Selection Guide TP-2269. See Page 25 for Decal information.

2. Now turn to the pages titled "Specification Number Index." When scanning these pages, you'll notice:

- Page Numbers indexing where Group Parts are listed;
- Specification Numbers listed vertically down the first column;
- "Variation" Numbers in the Group Number columns. (These numbers specifically identify a particular group (combination) of parts used in a particular model(s)—and is used to locate the specific part number.)

# HOW TO FIND YOUR PART NUMBER

M10

Group 1  
AIR INTAKE

Index Number	Description	Part Number	Index Number	Description	Part Number
1	Wing nut 1/4-20 578	2-276-7	6	Element	45 022 02
2	Cover, air cleaner 578	47 025 45	7	Gasket 578	231022
3	Flange, Jam 1/4-20 578	41 122 04	8	Screw, hex, wash. hd. 1/8-20 x 1 1/2 (2) 578	2-07-43
4	Cover, air cleaner element 578	22 022 04	9	Blank, air cleaner 578	47 054 20
5	Pre-cleaner, element 578	45 022 03			

3. Look at the illustration and the listing of the parts making up that group.

- A. All parts in the illustration are identified (or indexed) with a number or letter. Use that identifier to locate that part description in the listing.
- B. The "Variation" Number that you located in the Spec Index page is the number you should locate in the parts listing. It is a critical reference to correct part number identification.
- C. Part Numbers are listed in the column to the right of Variation Numbers.

M10

There are several methods of repowering M10 engines to consider—with the choice depending on your shop facilities, repair costs, and allowable downtime of the engine.

- Engine Replacement:** When decision is to replace, use a Kohler Replacement Engine—No modifications required.
- Short Block Replacement:** When engine including the crankshaft is extensively damaged or worn internally. Refer to page 3 for short block components.
- Miniblock Replacement:** When bore, piston, and connecting rod are damaged but crankshaft and all other parts are in good condition. Refer to page 3 for miniblock components.
- Complete Overhaul:** Rebore cylinders and grind crankshaft, using appropriate oversize and/or undersize replacement parts.

This Selection Guide provides an easy reference for determining the part number of the Replacement Engine, Short Block, or Miniblock required for the repower method selected. It also lists the part number of the crankshaft installed in the original engine.

Locate the engine specification number in the index below. Select the part number of the repair method listed in the adjacent columns.

ENGINE SPECIFICATIONS					
Engine Spec. No.	Sugg. Service/ Replac. Engine	Original Engine No.	Replac. Crankshaft	Replac. Short Block	Replac. Miniblock
481500	451500	47 142 02	—	—	47 782 32
481501	451501	47 142 02	—	—	47 782 32
481502	451502	47 142 02	—	—	47 782 32
481503	451503	47 142 02	—	—	47 782 32
481518	—	47 142 02	—	—	47 782 32
481520	—	47 142 02	—	—	47 782 32

\*Basic Engine

## Special Features

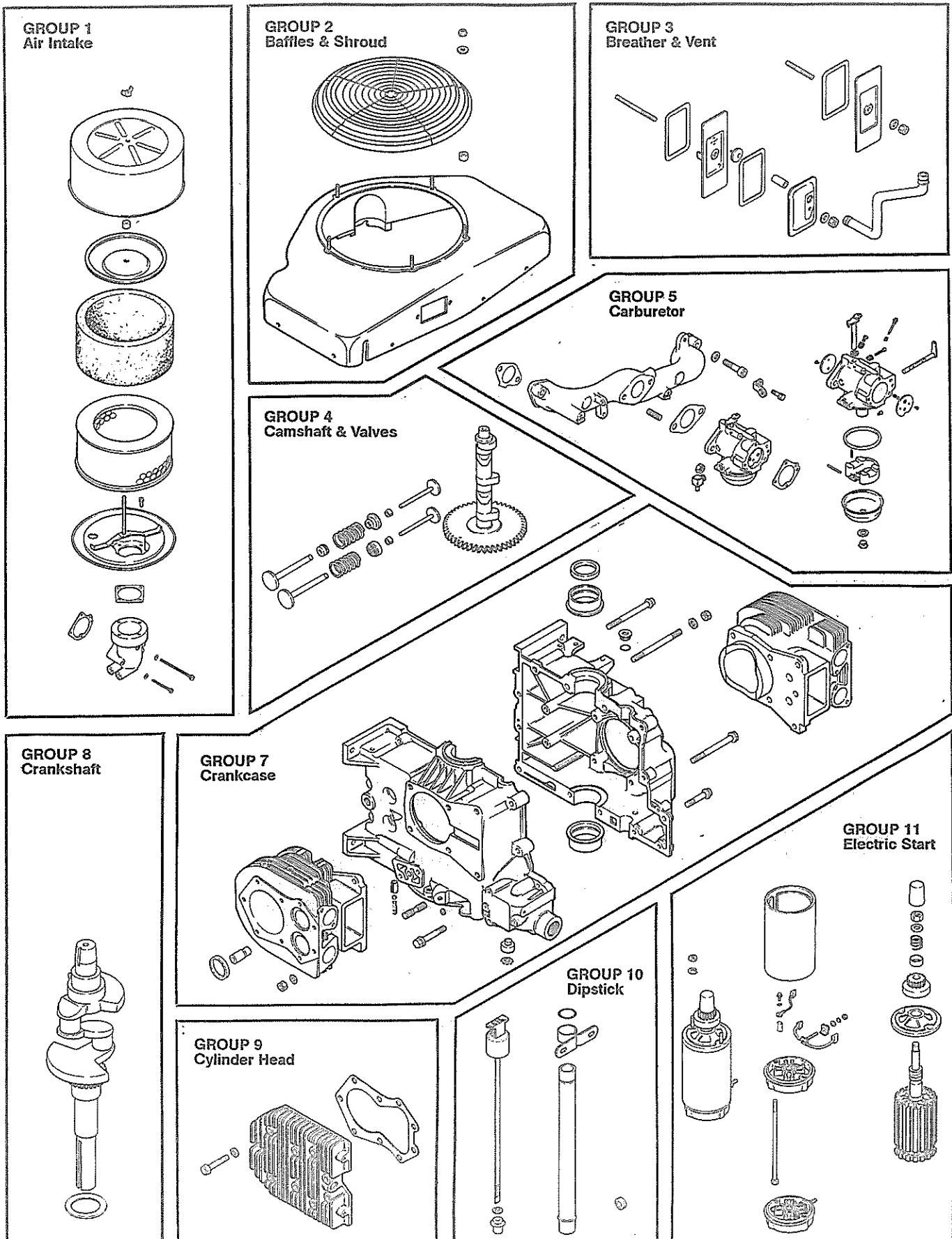
Near the end of the Parts Manual Binder is a separate section devoted to Service Engines, Short Blocks, and Miniblocks. "Selection Guides" for each model engine give several different methods of repairing Kohler engines . . . with the choice dependent on shop facilities, costs, and allowable downtime of the engine and/or the equipment.

Selection Guides are easy references for determining part numbers of Replacement Engines, Short Blocks, or Miniblocks for the repair method selected. They also list part numbers of crankshafts installed in original engines.

Here is what you'll find:

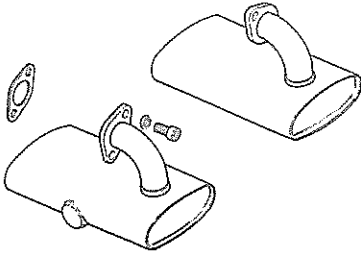
- A. Engine model is identified on each page for easy reference;
- B. Bold column heads identify the various repower options for every engine spec;
- C. All crankshaft changes required for Service Engines or Replacement Engines are flagged with "Yes;"
- D. Service Engines, Replacement Engines, Short Blocks, and Miniblocks.

# COMPOSITE EXPLODED VIEW

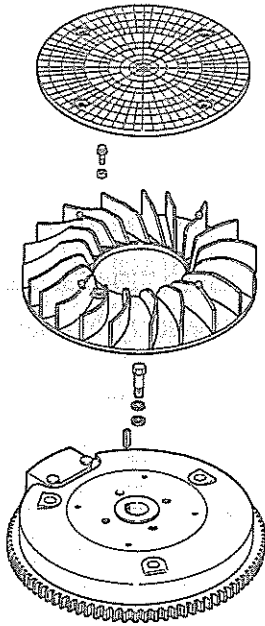


# COMPOSITE EXPLODED VIEW

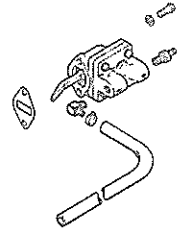
**GROUP 12**  
Exhaust



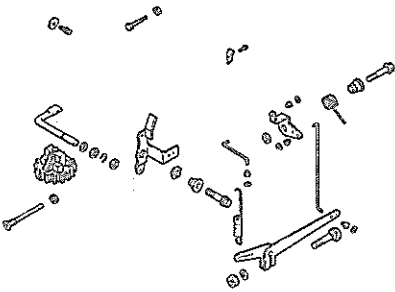
**GROUP 13**  
Flywheel



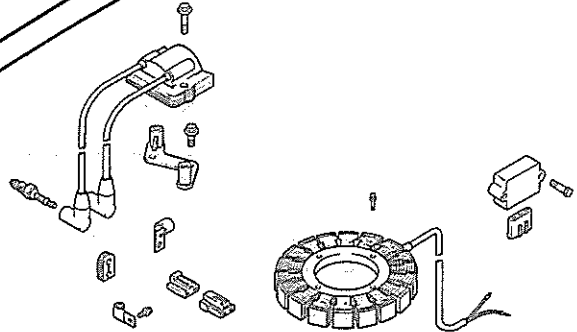
**GROUP 14**  
Fuel Pump



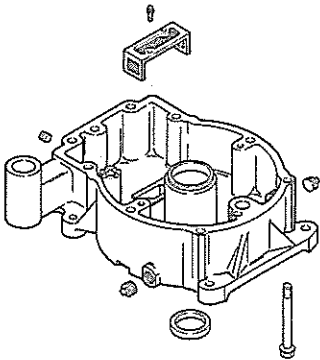
**GROUP 17**  
Governor



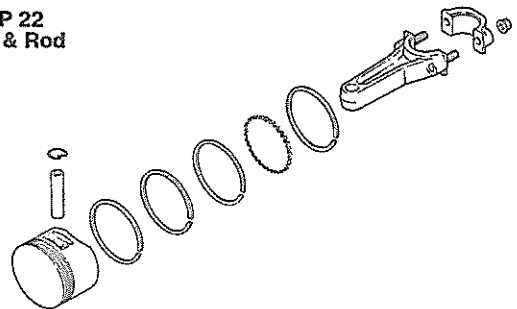
**GROUP 18**  
Ignition



**GROUP 21**  
Oil Pan



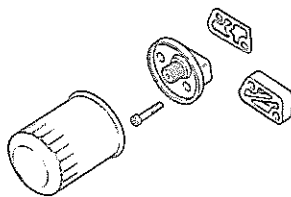
**GROUP 22**  
Piston & Rod



**GROUP 25**  
Oil Pump



**GROUP 29**  
Oil Filter



**GROUP 31**  
High Temperature Cutout



**GROUP 32**  
Low Oil Pressure



# SPECIFICATION NUMBER INDEX

Group Title & Number	AIR INTAKE	BAFFLES & SHROUD	BREATHER & VENT	CAMSHAFT & VALVES	CARBURETOR	CRANKCASE	CRANKSHAFT	CYLINDER HEAD	DIPSTICK	ELECTRIC START	EXHAUST	FLYWHEEL	FUEL PUMP	GOVERNOR	IGNITION	OIL PAN	PISTON & ROD	RETRACTABLE STARTER	OIL PUMP	OIL FILTER	HIGH TEMP. CUTOFF	OIL PRESS. CUTOFF
	1	2	3	4	5	7	8	9	10	11	12	13	14	17	18	21	22	23	25	29	31	32
	Page No.	8	10	14	15	16	18	20	21	22	23	25	27	29	30	31	33	34	35	36	37	38
Grid No.	A8	A10	A14	B1	B2	B4	B6	B7	B8	B9	B11	B13	C1	C2	C3	C5	C6	C7	C8	C9	C10	C11

**Spec. No.** **Variation Number**

56501	41	500	9	29	70	177	120	17	17	18	29	56	12	27	39	1	14	5	13	15	
56506	41	501	9	28	42	139	120	17	17	9	33	56	12	27	35	2	14	5	4	15	
56507	41	502	9	28	42	139	120	17	17	9	36	56	13	27	41	1	14	5	2	15	
56509	41	507	9	29	69	177	120	17	17	18	33	56	13	27	38	1	14	5	2	15	
56510	44	132	9	29	70	177	120	17	17	18	52	56	12	35	56	1	14	5	13	6	
56511	41	140	9	29	42	177	120	17	17	17	34	56	24	36	35	1	14	5	4	15	
56512	41	506	9	29	69	177	120	17	19	18	58	56	13	27	35	3	14	5	2	15	
56513	41	502	9	29	69	177	120	17	19	18	58	56	13	27	35	3	14	5	2	15	
56514	41	503	9	29	42	186	120	17	17	19	36	75	13	27	41	1	14	5	2	15	
56516	59	157	9	29	70	177	120	17	17	18	301	56	26	45	74	1	14	5	13	8	
56517	44	504	9	29	70	177	120	28	19	18	300	56	32	43	72	3	14	5	13	6	
56518	41	505	9	29	69	177	120	17	17	18	301	58	13	27	47	1	14	5	2	15	
58501	41	120	9	29	70	177	120	11	17	18	29	56	12	27	39	1	14	5	13	15	
58506	57	119	9	29	42	177	120	11	17	18	35	56	13	27	40	1	14	5	2	15	
58507	41	121	9	29	42	177	120	11	17	18	32	58	13	27	42	1	14	5	10	300	
58508	55	121	9	29	69	177	120	11	17	18	32	58	45	27	38	1	14	5	2	15	
58509	41	121	9	28	42	139	120	11	17	9	32	58	13	27	38	1	14	5	10	300	
58510	41	122	9	17	42	139	120	11	17		29	66	13	27	37	1	14	5	2	15	
58511	55	123	9	29	69	177	120	29	17		29	70	45	27	37	1	14	1	5	2	15
58512	41	119	9	28	42	139	120	11	17	9	36	56	13	27	41	1	14	5	2	15	
58513	41	121	9	29	42	177	120	11	17	18	35	58	13	27	42	1	14	5	2	14	
58514	44	124	9	29	42	177	120	11	17	18	37	58	13	27	43	1	14	5	2	15	
58515	44	125	9	28	42	139	120	11	17	9	302	58	13	27	48	1	14	5	2	15	
58516	41	121	9	29	69	177	120	11	17	18		58	13	27	47	1	14	5	2	15	
58517	47	86	9	25	38	139	120	18	17	9	32	56	2	27	45	1	14	5	2	1	14
58518	47	86	9	25	38	139	120	18	17	9	29	58	2	27	52	1	14	5	14	300	17
58519	47	86	9	30	48	193	120	14	17	18	36	58	2	27	50	1	14	5	2	1	301
58520	41	144	9	29	69	177	120	11	17	18	33	56	13	27	35	1	14	5	2	15	
58521	47	86	9	30	38	193	120	11	17	17	29	56	2	27	39	1	14	5	2	15	
58522	41	120	9	29	42	177	120	11	18	18	34	56	12	27	35	1	14	5	14	17	
58523	47	86	9	30	38	193	120	18	17	18	32	58	2	27	55	1	14	5	14	1	17
58525	41	135	9	29	39	177	120	11	17	18	54	72	12	43	60	1	14	5	13	15	
58526	41	148	9	29	42	177	120	11	18	18	36	56	12	27	63	1	14	5	2	15	
58527	55	146	9	29	42	177	120	11	17	18	32	58	13	27	38	4	14	5	15	15	
58528	41	119	9	29	69	177	120	11	19	18	58	56	13	27	35	3	14	5	2	15	
58529	41	79	9	29	39	177	120	11	17	18	54	56	12	43	42	1	14	5	13	15	
58530	41	120	9	29	39	177	120	11	17	18	303	56	12	43	39	1	14	5	13	15	
58531	44	125	9	29	42	177	120	11	17	18	32	58	13	27	66	1	14	5	10	300	
58532	41	154	9	29	42	186	120	11	17	19	36	75	13	43	41	1	14	5	2	15	
58533	59	157	9	29	70	177	120	11	17	18	58	56	26	45	74	1	14	5	13	8	
58534	55	120	9	29	69	177	120	11	17	18	35	67	27	35	38	1	14	5	2	15	
58535	44	77	9	29	70	177	120	26	19	18	300	56	32	43	72	3	14	5	13	6	
58536	44	161	9	29	70	177	120	26	17	18	33	56	28	27	75	1	14	5	13	15	
58537	41	121	9	29	69	177	120	11	17	18	32	58	12	27	38	1	14	5	10	23	
58538	55	121	9	29	69	177	120	11	17	18	32	58	12	27	38	1	14	5	2	22	

# SPECIFICATION NUMBER INDEX

Group Title & Number	AIR INTAKE	BAFFLES & SHROUD	BREATHER & VENT	CAMSHAFT & VALVES	CARBURETOR	CRANKCASE	CRANKSHAFT	CYLINDER HEAD	DIPSTICK	ELECTRIC START	EXHAUST	FLYWHEEL	FUEL PUMP	GOVERNOR	IGNITION	OIL PAN	PISTON & ROD	RETRACTABLE STARTER	OIL PUMP	OIL FILTER	HIGH TEMP. CUTOUT	OIL PRESS. CUTOUT
	1	2	3	4	5	7	8	9	10	11	12	13	14	17	18	21	22	23	25	29	31	32
Page No.	8	10	14	15	16	18	20	21	22	23	25	27	29	30	31	33	34	35	36	37	38	39
Grid No.	A8	A10	A14	B1	B2	B4	B6	B7	B8	B9	B11	B13	C1	C2	C3	C5	C6	C7	C8	C9	C10	C11

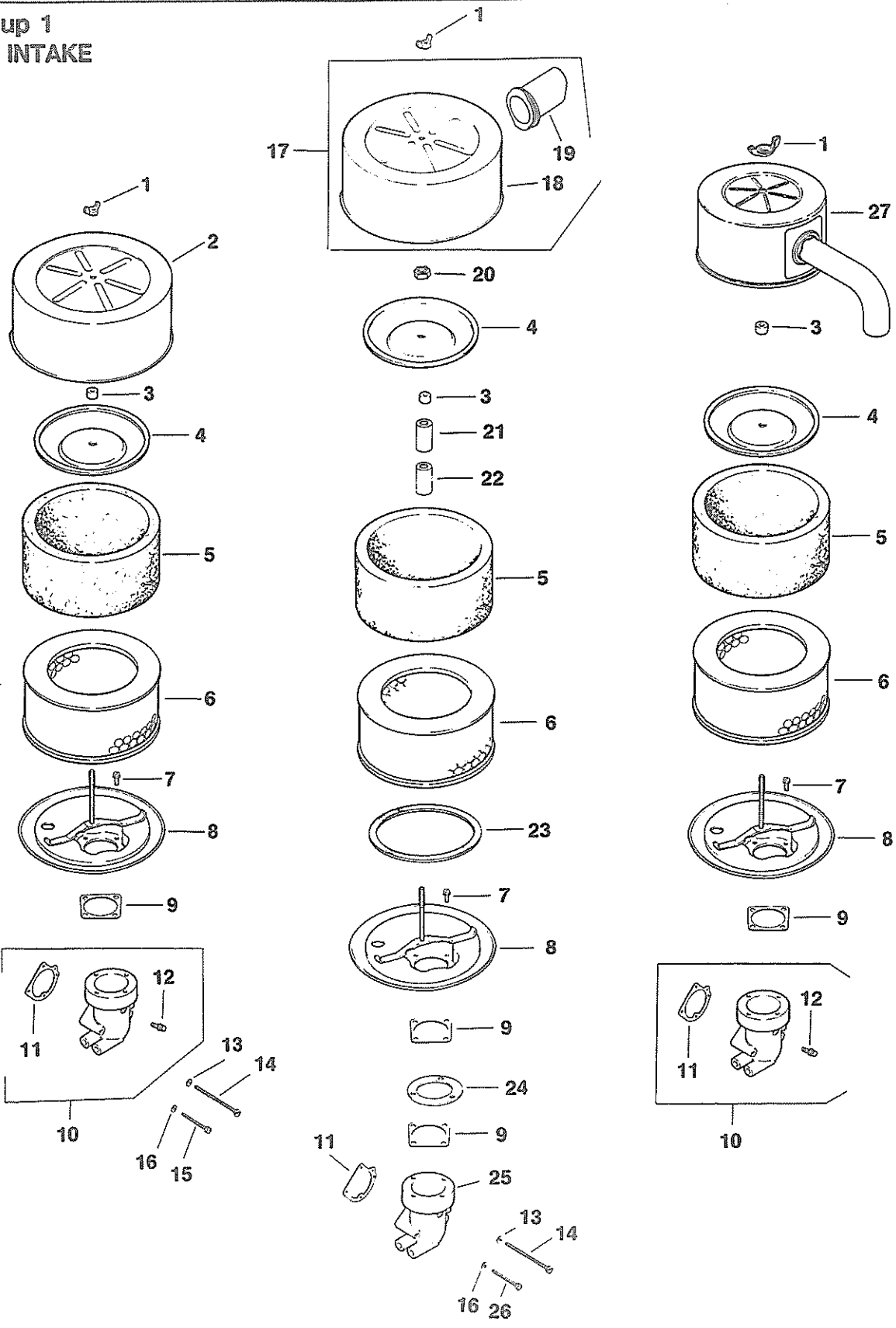
**Spec. No.**

**Variation Number**

58539	41	164	9	29	70	177	120	11	17	18	29	58	12	27	79	1	14	5	13	15
57501	41	80	9	31	65	184	131	15	17	16	29	56	12	27	39	1	15	5	13	15
57506	57	137	9	31	56	184	131	15	17	16	35	56	13	27	40	1	15	5	2	15
57507	44	139	9	31	56	184	131	15	17	16	32	58	13	27	65	1	15	5	10	300
57508	55	147	9	31	66	184	131	15	17	16	29	58	45	27	38	1	15	5	2	15
57510	41	80	9	31	56	184	131	15	18	16	301	56	12	27	35	1	15	5	14	17
57511	55	147	9	31	66	184	131	15	17	16	32	58	45	27	38	4	15	5	15	15
57512	41	138	9	31	66	184	132	15	17	16	35	58	13	27	42	1	15	5	2	14
57513	41	138	9	31	65	184	131	15	17	16	301	58	13	27	47	1	15	5	2	15
57514	44	165	9	31	65	184	131	15	17	16	63	56	28	27	78	1	15	5	2	15

MV16, 18, 20

Group 1  
AIR INTAKE





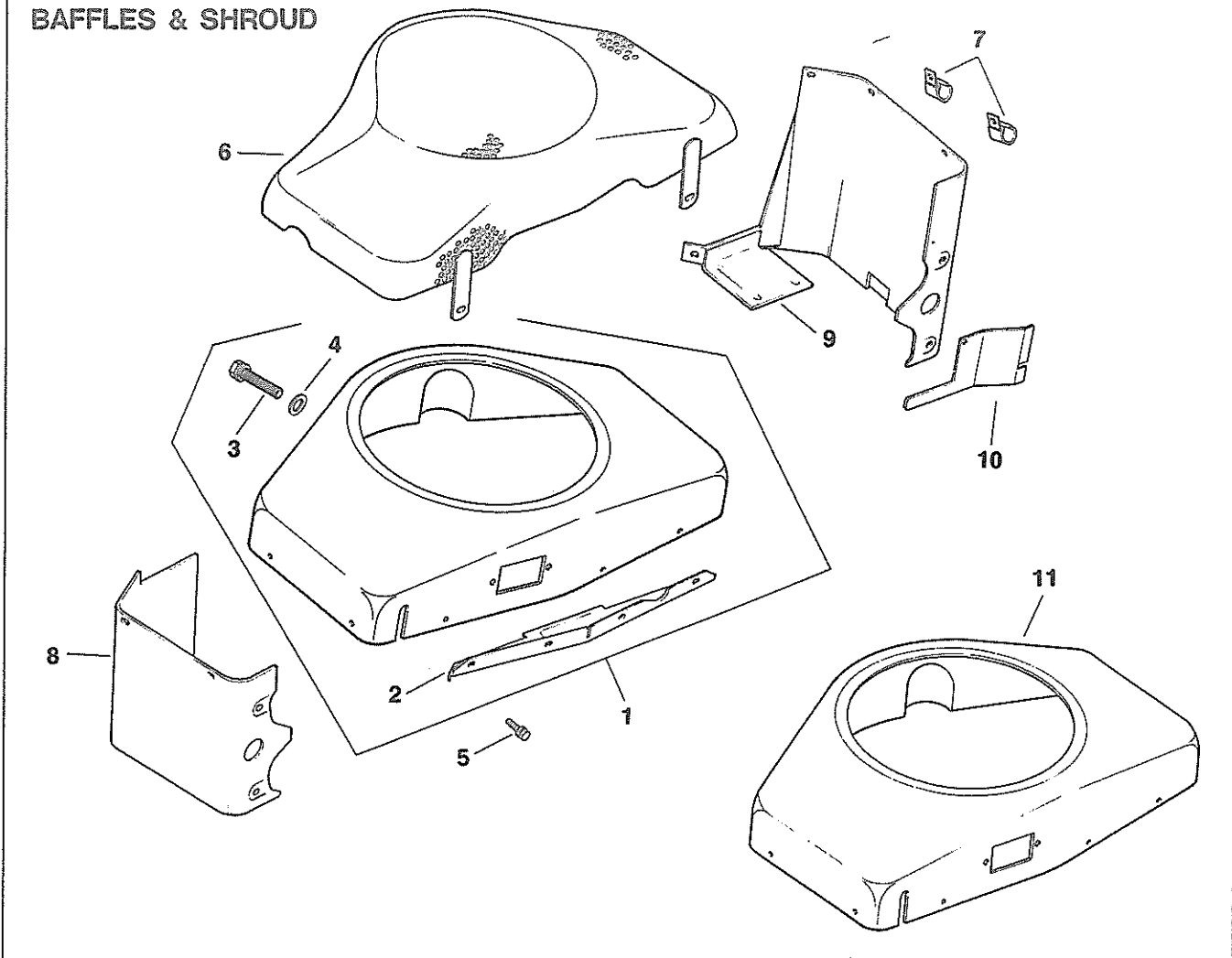
## MV16, 18, 20

AIR INTAKE  
(Cont'd)

Index Number	Description Variation Number	Part Number	Index Number	Description Variation Number	Part Number
1	Wing nut 1/4-20" 41,44,47,55,57,59	X-276-7	15	Screw, sltd. pan hd. 10-32x1-1/2 " (2) 41,44,55,57	X-50-57
2	Cover, air cleaner 41,47,55	45 082 01	16	Washer, I.T. #10 (2) 41,44,47,55,57,59	X-22-9
3	Seal, element cover 41,44,47,55,57	231032	17	Kit, cover and tube (Includes 18,19, & decal 52 113 30) 44,59	52 755 83
4	Cover, air cleaner element 41,44,47,55,57,59	52 082 04	18	Cover, air cleaner 44,59	52 096 35
5	Precleaner 41,44,47,55,57,59	45 083 01	19	Tube, air cleaner 44,59	52 123 21
6	Element 41,44,47,55,57,59	45 083 02	20	Nut, air cleaner Jam 55,59	41 100 04
7	Screw, hex. wash. hd. 10-32x3/16" (4) 41,44,47,55,57,59	X-57-98	21	Seal 55	230046
8	Base, air cleaner 41,47,55	52 094 06	22	Seal 55,59	52 032 04
8	Base, air cleaner 44,57,59	52 201 06	23	Seal, air cleaner cover 44,57,59	237423
9	Gasket, air cleaner 44,47,55,57	277093	24	Spacer 44,57,59	52 112 11
9	Gasket, air cleaner (2) 41,59	277093	25	Elbow, air intake 44,55,57,59	52 054 34
10	Kit, elbow (Includes 11 & 12) 41,47,55	52 754 02	26	Screw, 10-32x1-3/4" (2) 47	X-50-61
11	Gasket, elbow 41,44,47,55,57,59	25 041 06	27	Cover, air cleaner 57	52 096 26
12	Screw, hex. wash hd. 1/4-20x5/8" 41,47,55	52 086 11	NOT ILLUSTRATED		
13	Washer, plain #10 41,44,47,55,57	X-25-79	Decal, air cleaner instruction 41,44,47,55,57,59		
14	Screw, sltd. pan hd. 10-32x2-1/4" 41,44,47,55,57	X-50-37	Decal, align arrows 44,59		

# MV16, 18, 20

## Group 2 BAFFLES & SHROUD



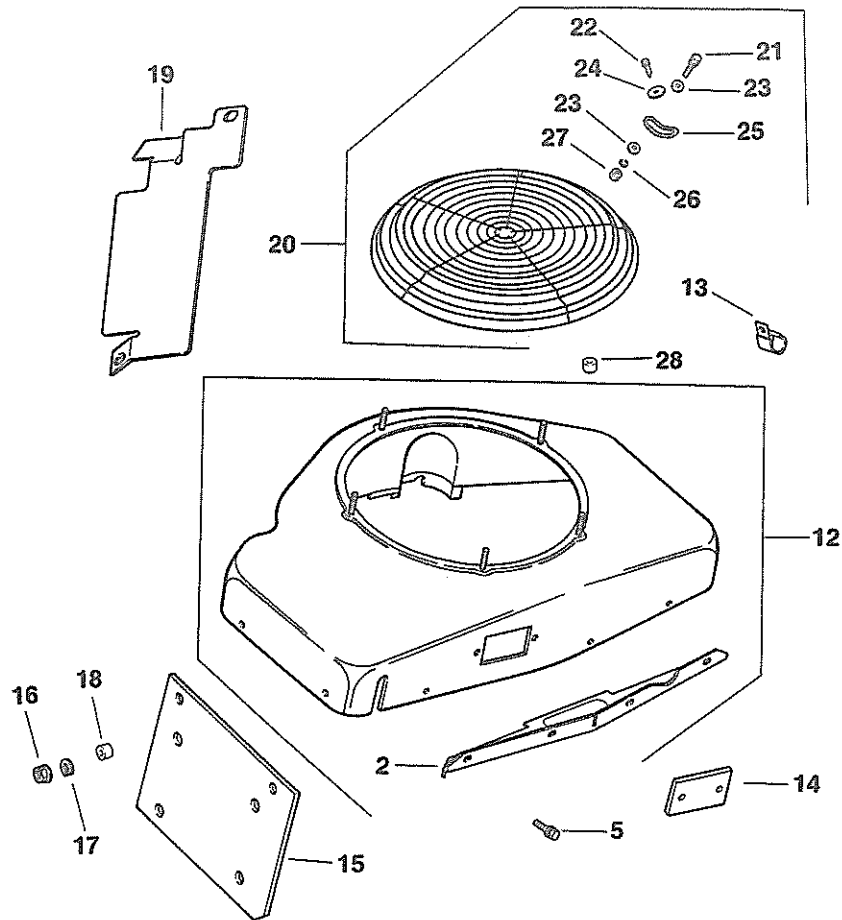
Index Number	Description Variation Number	Part Number	Index Number	Description Variation Number	Part Number
1	Kit, blower housing (Includes 2 - 4) 157,505	52 755 72	4	Washer, flat 1/32" (2) 77,79,80,86,119,120,121,122,123, 124,125,135,137,138,139,140,144, 146,147,148,157,161,164,165,500, 501,502,504,505,506,507,508	52 468 16
1	Kit, blower housing (Includes 2 - 4) 77,124,139,161,504	52 755 70	5	Screw, hex. wash. hd. 1/4-20x7/16" (24) 132	X-67-83
1	Kit, blower housing (Includes 2 - 4) 79,80,86,119,120,121,122,125, 135,138,144,148,500,501,502,505, 506,507	52 755 71	5	Screw, hex. wash. hd. 1/4-20x7/16" (20) 77,79,80,86,119,120,121,122,135, 137,139,140,144,146,147,148,154, 157,161,164,165,500,501,502,503, 504,505,506,507,508	X-67-83
2	Support, upper housing 77,79,80,86,119,120,121,122,123,124, 125,132,135,137,138,140,144,146, 147,148,154,157,161,164,165,500, 501,502,503,504,505,506,507,508	52 217 01	5	Screw, hex. wash. hd. 1/4-20x7/16" (19) 124,125	X-67-83
2	Screw, self-tapping 1/4-20x5/8" 77,79,80,86,119,120,121,122,123, 124,125,135,137,138,139,140,144, 146,147,148,157,161,164,165,500, 501,502,504,505,506,507,508	52 086 11			

# MV16, 18, 20

Index Number	Description Variation Number	Part Number	Index Number	Description Variation Number	Part Number
5	Screw, hex. wash hd. 1/4-20x7/16 (18) 123	X-67-83	8	Baffle, #1 cylinder head 123	52 063 37
5	Screw, hex. wash hd. 1/4-20x7/16 (2) 122,135	X-67-83	9	Baffle, #2 cylinder head 77,79,86,119,120,121,122,124,125, 135,140,144,146,148,154,157,161, 164,500,501,502,503,504,505,506, 507,508	52 063 21
6	Screen, grass 121,124,125,136,139,146,147,164	52 162 24	9	Baffle, #2 cylinder head 80,137,138,139,147,165	52 063 30
7	Clamp 140	47 154 01	9	Baffle, #2 cylinder head 123	52 063 38
7	Clamp (2) 119,121,122,123,124,125,137,138, 139,144,146,147,154,161,165,501, 502,503,505,506,507,508	47 154 01	9	Baffle, #2 cylinder head 86	52 063 02
8	Baffle, #1 cylinder head 80,137,138,139,147,165	52 124 05	9	Baffle, #2 cylinder head 132	52 063 32
8	Baffle, #1 cylinder head 77,79,86,119,120,121,122,124,125, 135,140,144,148,154,157,161,164, 500,501,502,503,504,505,506,507, 508	52 124 23	10	Baffle, #2 cylinder top 77,79,80,119,120,121,122,123,124, 125,132,135,137,138,139,140,144, 146,147,148,154,157,500,501,502, 503,504,505,506,507,508	52 063 01
8	Baffle, #1 cylinder head 132	52 063 33	11	Housing, blower 154,503	52 027 28
8	Baffle, #1 cylinder top 144,501,507,508	52 063 31			

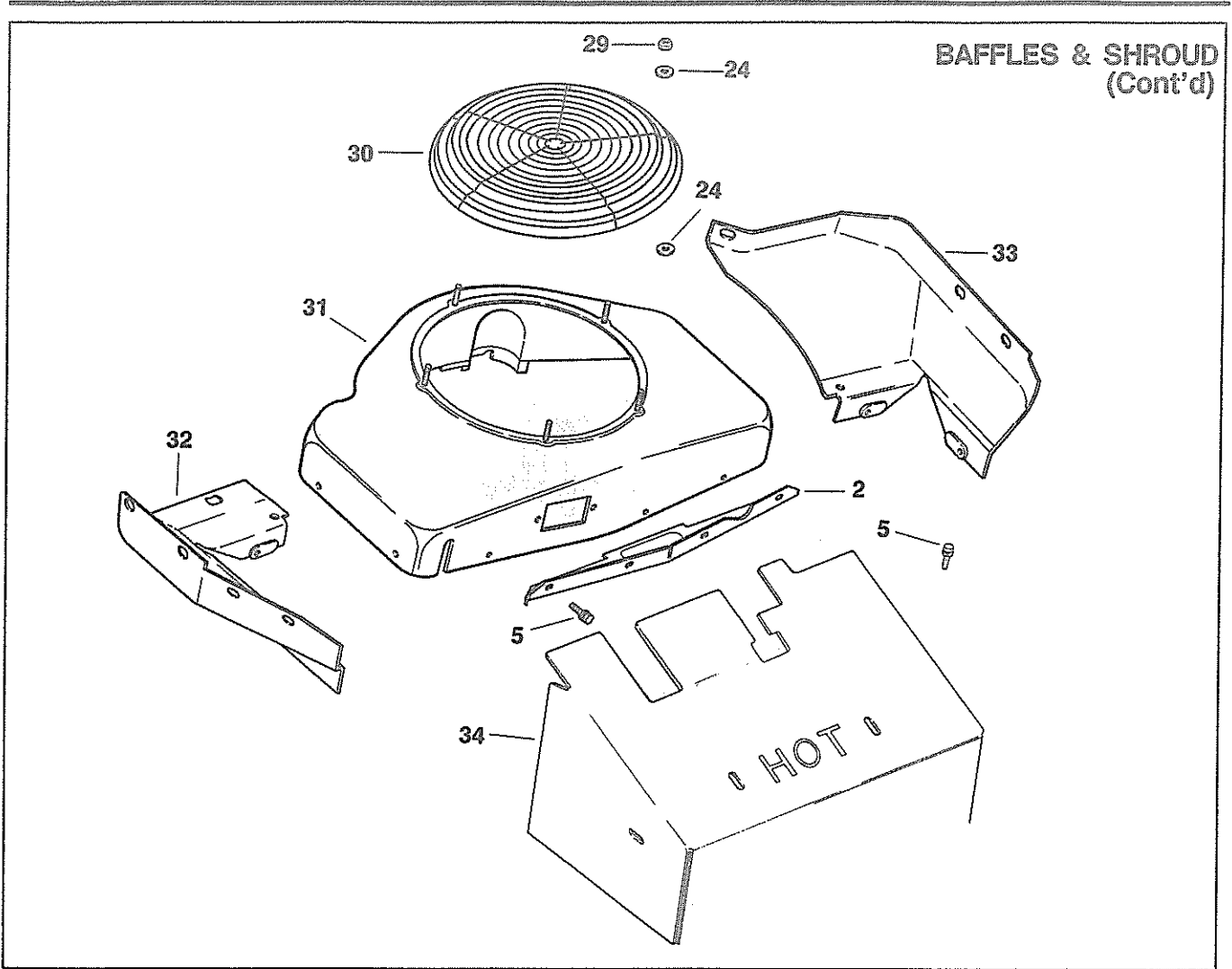
# MV16, 18, 20

## BAFFLES & SHROUD (Cont'd)



Index Number	Description Variation Number	Part Number	Index Number	Description Variation Number	Part Number
12	Kit, blower housing (Includes 2 - 4) 123,140	82 755 01	21	Screw, sems H.C. 10-2 (4) 140	X-156-2
13	Clamp (2) 123,146,147,148	48 154 02	22	Screw, drill (4) #8-18 140	25 086 32
14	Cover, regulator/rectifier 122,123,135	41 096 23	23	Washer, flat 1/2x7/32x18" (8) 140	X-25-36
15	Bracket, blower housing (2) 123	52 126 17	24	Washer, flat 3/16x5/8" (4) 140	25 468 03
16	Nut, hex. 5/16-18" (4) 123	X-82-2	24	Washer, flat 3/16x5/8" (5) 140	25 468 03
16	Nut, hex. 5/16-18" (4) 123	X-82-2	24	Washer, flat 3/16x5/8" (10) 132	25 468 03
17	Washer, lock 5/16" (4) 123	X-21-1	25	Bracket, link (4) 140	52 126 14
18	Spacer (4) 123	X-400-89	26	Washer, lock #10 (4) 140	X-19-1
19	Baffle, air 122,123	52 063 29	27	Nut, hex 10-24" (4) 140	X-70-2
20	Kit, fixed grass screen guard (Includes 21 - 28, (4) 25 468 03 140	82 755 04	28	Spacer (5) 140	52 112 12

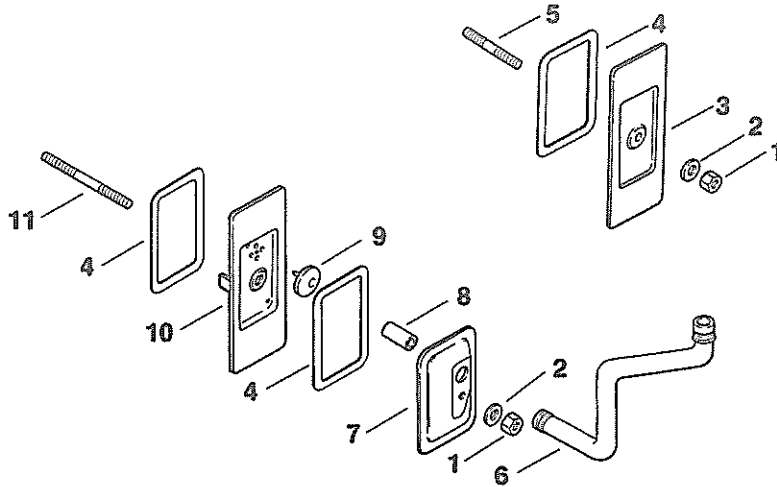
MV16, 18, 20



Index Number	Description Variation Number	Part Number	Index Number	Description Variation Number	Part Number
29	Nut, hex. lock 10-32" (5) 132,140	X-101-12			
30	Guard, grass screen 132	47 314 02			
31	Housing, blower 132	52 027 33			
32	Duct, #1 air 132	52 281 21			
33	Duct, # 2air 132	52 281 22			
34	Shield, heat (muffler guard) 132	52 281 30			
Not illustrated					
	Seal, starter air 132	25 032 02			
	Decal, 18 H.P. (white) (Replaced by 52 113 32) 77,79,86,119,120,121,122,123,124, 125,135,1486,148,154,157,161,164	52 113 25			
				Decal, 16 H.P. (white) (3) (Replaced by 45 113 07) 41,500,501,502,503,504,505	45 113 04
				Decal, 14 H.P. (white) (3) (Replaced by 47 113 22) 506,507	47 113 08
				Decal, 17 H.P. (white) (3) (Replaced by 52 113 36 ) 508	52 113 31
				Decal, 20 H.P. (white) (3) (Replaced by 52 113 34) 80,137,139,147,165	52 113 27
				Decal, 17 H.P. (white) (2) (Replaced by 52 113 36) 132	52 113 31
				Decal, 16 H.P. (white) (3) (Replaced by 45 113 07) 140	45 113 04

# MV16, 18, 20

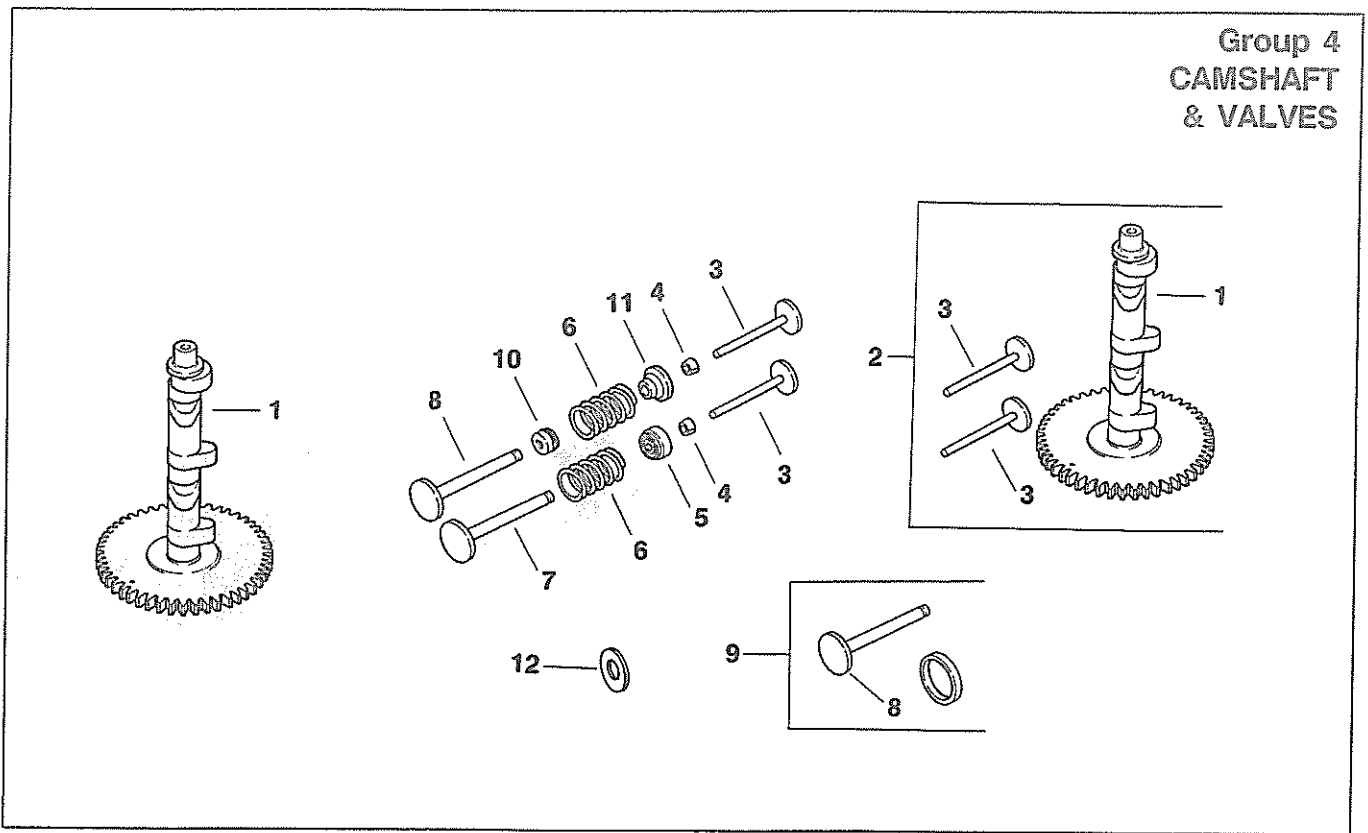
## Group 3 BREATHER & VENT



Index Number	Description Variation Number	Part Number	Index Number	Description Variation Number	Part Number
1	Nut, hex. 1/4-20" (2) 9	X-81-1	7	Cover, #1 upper cyl. valve 9	52 096 08
2	Washer, plain 1/4" (2) 9	X-25-12	8	Seal, breather 9	52 032 04
3	Cover, #2 cyl. valve 9	52 096 18	9	Valve, umbrella 9	52 462 01
4	Gasket, cover (3) 9	52 055 01	10	Cover, #1 lower cyl. valve 9	52 096 22
5	Stud, #2 cyl. valve cover 1/4-20x2-1/4" 9	X-352-39	11	Stud, #1 cyl. valve cover 1/4-20x3-1/4" 9	275220
6	Hose, breather 9	52 326 12			

MV16, 18, 20

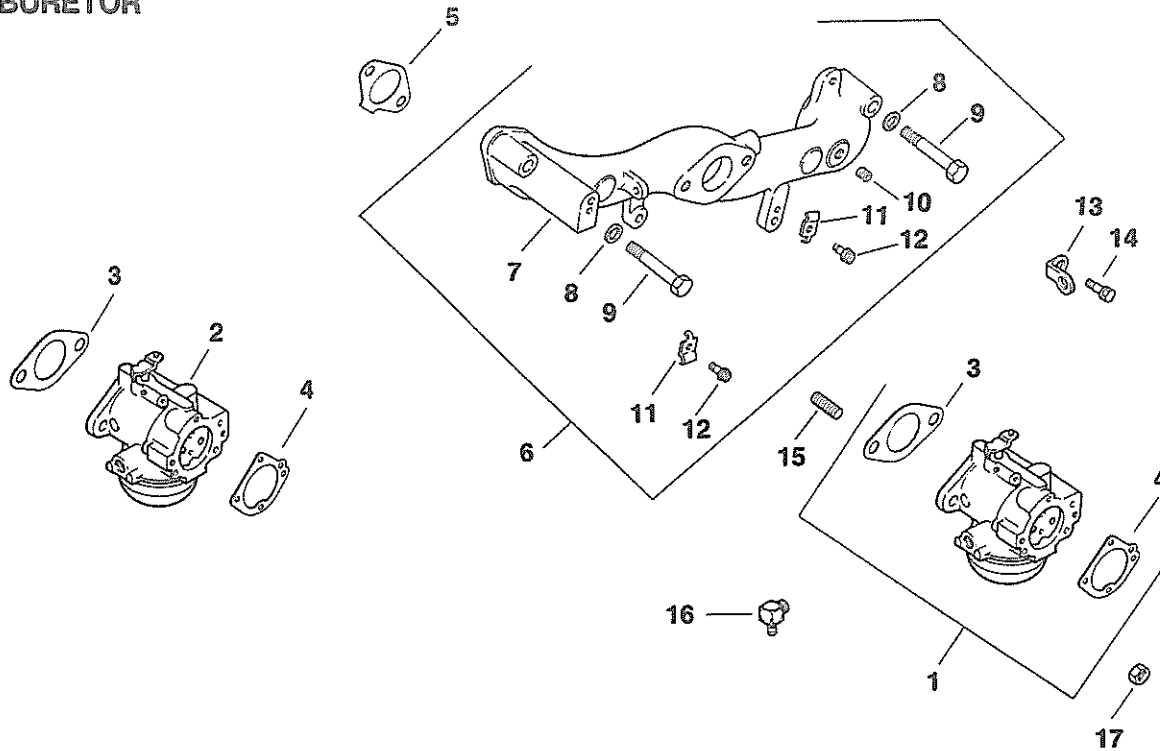
Group 4  
CAMSHAFT  
& VALVES



Index Number	Description Variation Number	Part Number	Index Number	Description Variation Number	Part Number
1	Camshaft After serial no. 1917809286 use: 17,25,28,29,30,31	52 012 09	8	Valve, intake (4) 31	52 017 07
2	Kit, camshaft (Includes 3) Before serial no. 1917809296 use: 17,25,28,29,30,31	82 755 13	8	Valve, intake (2) 17,25,28,29,30	52 017 08
3	Tappet (4) After serial no. 1917809286 use: 17,25,28,29,30,31	52 019 03	9	Kit, valve (Includes (2) 52 016 06 valve) Before serial no. 1917809296 use: 31	82 755 12
4	Kit, retainer (4) 17,25,28,29,30,31	41 755 10	9	Kit, valve (2) (Includes 52 016 05 valve) Before serial no. 1917809296 use: 17,25,28,29,30	82 755 11
5	Rotator, exhaust valve (2) 17,28,29,31	52 413 01	10	Seal, intake valve stem (2) 17,25,28,29,30,31	52 032 13
6	Spring, valve (4) 17,25,28,29,30,31	25 089 01	11	Retainer, intake valve (2) 17,25,28,29,30,31	230011
7	Valve, exhaust (2) After serial no. 1917809296 use: 31	52 016 06	12	Spacers (exhaust) 1-9/64" long (2) 25,30	52 112 10
7	Valve, exhaust (2) After serial no. 1917809286 use: 17,25,28,29,30	52 016 05			

# MV16, 18, 20

## Group 5 CARBURETOR



Index Number	Description Variation Number	Part Number	Index Number	Description Variation Number	Part Number
Refer to Section 3 of Carburetor Reference Manual TP-2377-B for breakdown of the following carburetor assemblies:					
1	Kit, carburetor fixed jet w/ gasket (Includes 2,3 & Carburetor, 52 053 27 - for information only - not available separately)	52 853 05	1	Kit, carburetor adjustable jet w/ gasket (Includes 2,3 & Carburetor, 52 053 55 - for information only - not available separately)	52 853 29
	39			65,66	
	or use				
1	Kit, carburetor fixed jet w/ gasket (Includes 2,3 & Carburetor, 52 053 34 or 52 053 54 - for information only - not available separately)	52 853 09	1	Kit, carburetor adjustable jet w/ gasket (Includes 2,3 & Carburetor, 52 053 54 - for information only - not available separately)	52 853 25
	42			69,70	
	or use				
1	Kit, carburetor adjustable jet w/ gasket (Includes 2,3 & Carburetor, 52 053 34 - for information only - not available separately)	52 853 25	1	Kit, carburetor adjustable jet w/ gasket (Includes 2,3 & Carburetor, 52 053 54 - for information only - not available separately)	52 853 29
	42			56	
	or use				
1	Kit, carburetor fixed jet w/ gasket (Includes 2,3 & Carburetor, 52 053 34 or 52 053 54 - for information only - not available separately)	52 853 09	2	Carburetor assembly (for information only not available separately.)	52 053 21
	42		3	Gasket, carburetor	271030
	or use			38,39,42,48,56,65,66,69,70	
1	Kit, carburetor adjustable jet w/ gasket (Includes 2,3 & Carburetor, 52 053 34 - for information only - not available separately)	52 853 25	4	Gasket, elbow	277069
	42			38,39,42,48,56,65,66,69,70	
	or use		5	Gasket, manifold (2)	52 041 09
	42			39,42,56,66,69,70	
	or use		6	Kit, intake manifold (Includes 7-12, (1) X-75-23)	52 755 91
	42			38,39,42,48,56,65,66,69,70	



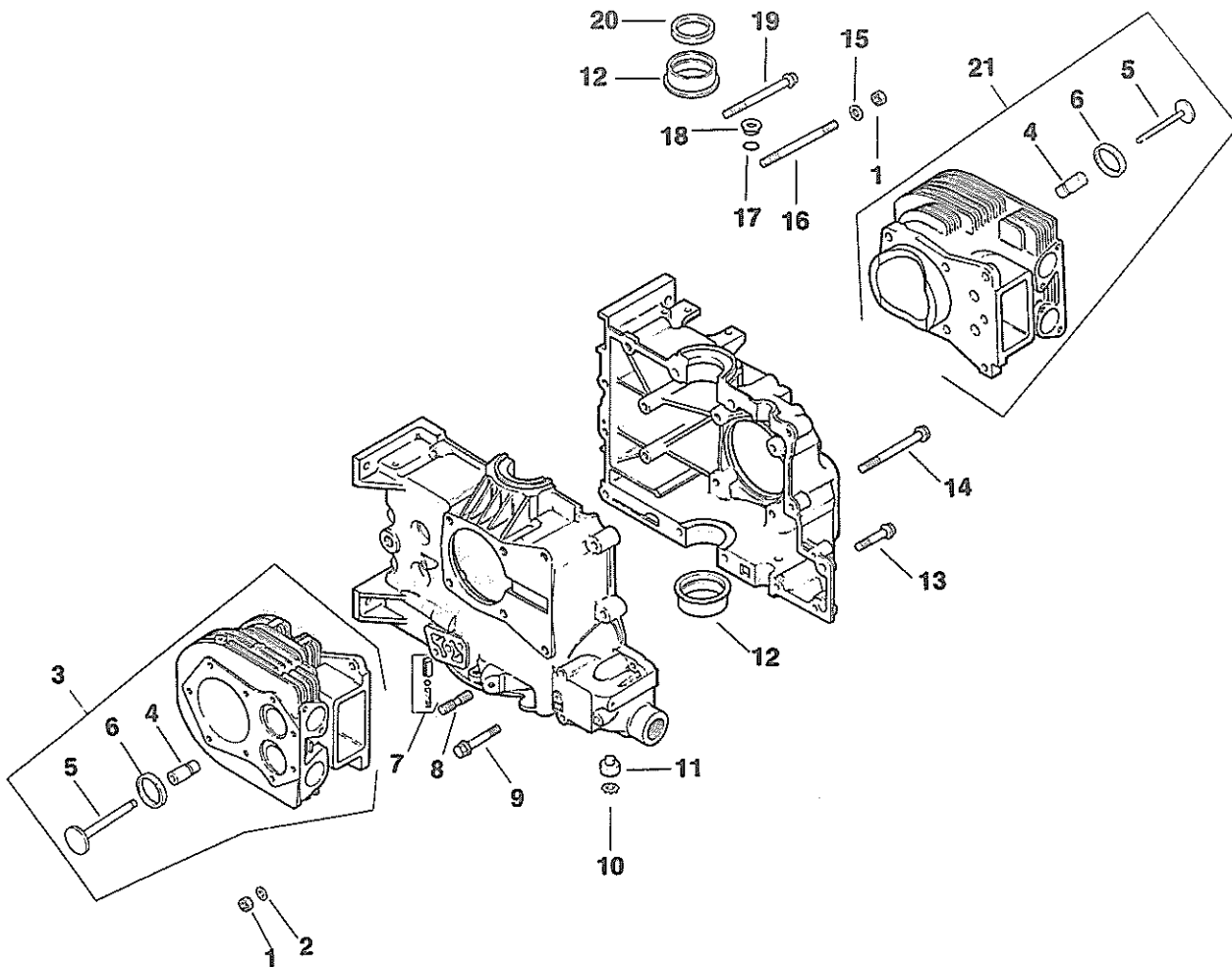
MV16, 18, 20

CARBURETOR  
(Cont'd)

Index Number	Description Variation Number	Part Number	Index Number	Description Variation Number	Part Number
7	Manifold, intake 38,39,42,48,36,65,66,69,70	52 164 15		Carburetor assembly (Includes all parts listed below* and 52 294 04)	
8	Washer, plain 5/16" (4) 38,39,42,48,56,65,66,69,70	X-25-44		48	52 053 45
9	Screw, 5/16-18x1-1/4" (4) 38,39,42,48,56,65,66,69,70	X-6-29		Washer, brass 9/32x5/8x1/32* 38,48	X-25-8
10	Plug, Allen hd. plug 1/8" 38,42,48,56,65,66,69	X-75-23		Spring, adjusting screw* 38,48	232555
10	Plug, Allen hd. plug 1/8" (2) 39,70	X-75-23		Screw, adjusting lever* 38,48	232556
11	Clamp, cable 38,39,42,48,56,65,66,69,70	235778		Lever, throttle* 38,48	52 090 06
12	Screw, hex. wash hd. 10-24x13/32" (2) 38,39,42,48,56,65,66,69,70	X-67-97		Venturi* 38,48	236666
13	Strap, lifting 38,39,42,48,56,65,66,69,70	232867		Screw, idle adjusting* 38,48	52 086 13
14	Screw, tapping 1/4-20x3/4 38,39,42,48,56,65,66,69,70	X-67-62		Screw, load* 38,48	52 086 14
15	Stud 5/16-18x1 (2) 38,39,42,48,56,65,66,69,70	X-352-37		Spring, idle adjustment* 38,48	52 089 10
16	Connector, 90° hose 38,39,42,48,56,65,66,69,70	25 155 02		Spring, load screw* 38,48	52 089 11
17	Nut, hex. 5/16-18" 38,39,42,48,56,65,66,69,70	X-77-2		Kit, shaft replacement* (Includes X-400-80,200375 )	
NOT ILLUSTRATED - LP GAS CARBURETOR				Spacer 11/32x17/64x13/16* 38,48	X-400-80
Carburetor assembly (Includes all parts listed below* and 52 294 03 )				Gasket* 38,48	200375
	38	52 053 35		Fitting, inlet 38	52 294 03
				Fitting, inlet 48	52 294 04

# MV16, 18, 20

## Group 7 CRANKCASE



Index Number	Description Variation Number	Part Number	Index Number	Description Variation Number	Part Number
1	Nut, hex. 5/16-18" (16) 139,177,184,186,193	X-82-2	5	Valve, exhaust (2) 184	52 016 06
2	Washer, flat 5/16" (12) 139,177,184,186,193	52 468 12	6	Insert, valve seat (2) 139,177,184,186,193	52 031 01
3	Kit, #1 cylinder barrel (Includes 4,5,6) 139,177,186,193	82 755 16	7	Kit, oil relief 139,177,184,186,193	52 755 50
3	Kit, #1 cylinder barrel (Includes 4,5,6) 184	82 755 18	8	Step stud 5/16-18x3/4", 3/8-16x5/8, 2" long (12) 139,177,184,186,193	52 072 12
4	Guide, valve (4) 139,177,184,186,193	52 316 06	9	Screw, hex. flange 5/16-18x2" (2) 139,177,184,186,193	25 086 12
5	Valve, exhaust (2) 177,186,193	52 016 05	10	Ring, retaining 139,177,184,186,193	X-269-43

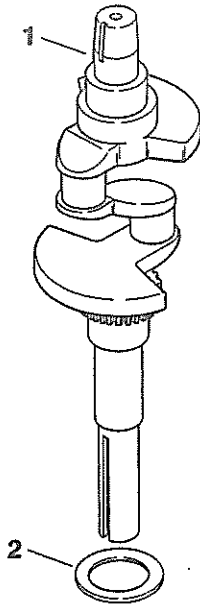
MV16, 18, 20

CRANKCASE  
(Cont'd)

Index Number	Description Variation Number	Part Number	Index Number	Description Variation Number	Part Number
11	Shaft, governor 139,177,184,186,193	52 078 05	16	Stud 5/16-18x4-1/8" (2) 139,177,184,186,193	X-352-33
12	Bearing sleeve (Std.) (2) 139,177,184,186,193	52 030 10	17	O-Ring 139,177,184,186,193	52 141 02
12	Bearing, sleeve (.010) 139,177,184,186,193	52 030 11	18	Plug 139,177,184,186,193	52 139 08
12	Bearing, sleeve (.020) 139,177,184,186,193	52 030 12	19	Screw, hex. flange 5/16-18x3-1/2" (6) 139,177,184,186,193	25 086 11
13	Screw, hex. flange 5/16-18x1-1/2" (3) 139,177,184,186,193	25 086 10	20	Seal, front oil 139,177,184,186,193	52 032 10
14	Screw, hex. flange 3/8-16x3-5/8" (2) 139,177,184,186,193	25 086 13	21	Kit, #2 cylinder barrel (Includes 4,5,6) 139,177,186,193	82 755 17
15	Washer, plain (4) 139,177,184,186,193	41 468 01	21	Kit, #2 cylinder barrel (Includes 4,5,6) 184	82 755 19

# MV16, 18, 20

## Group 8 CRANKSHAFT

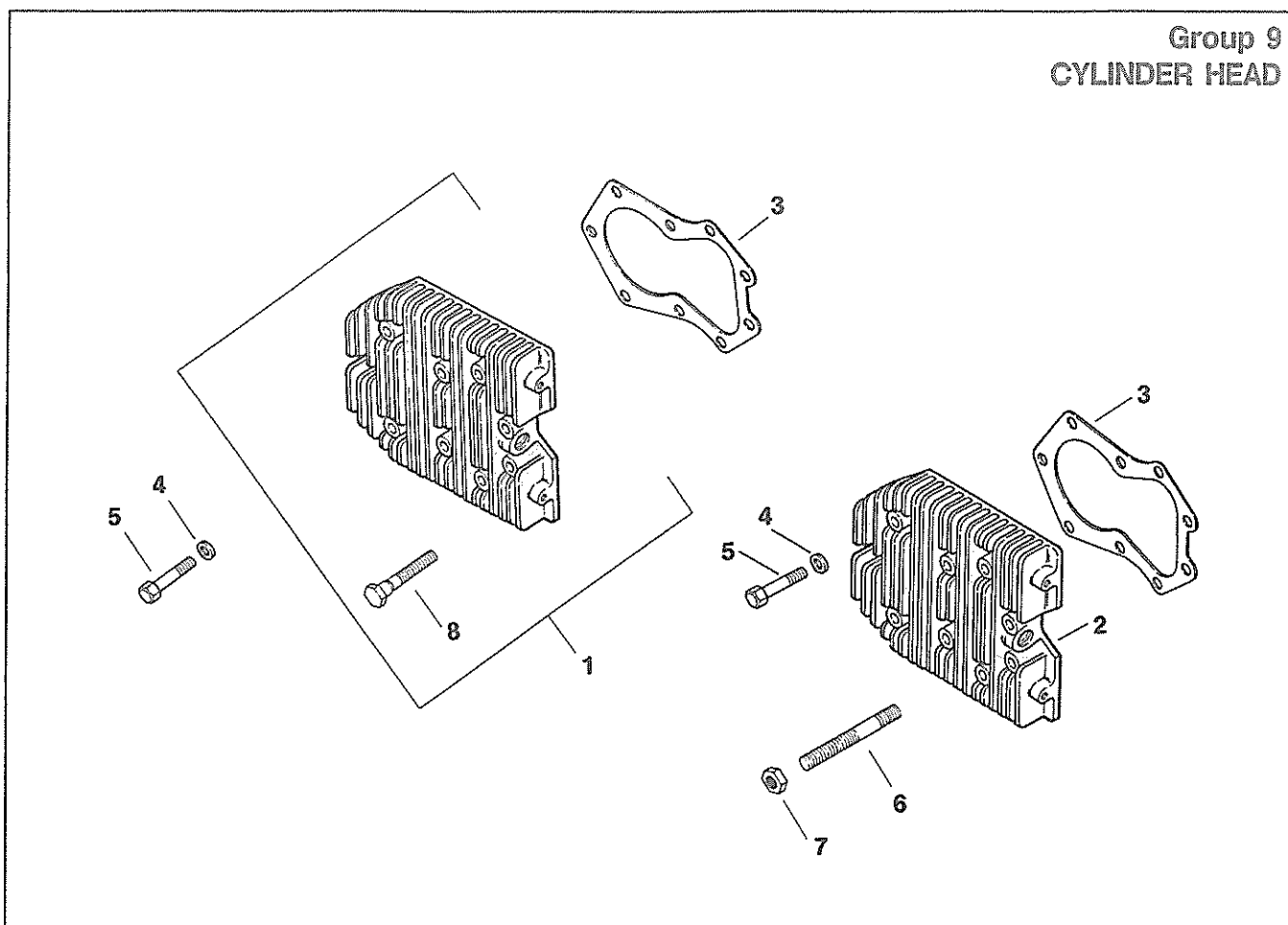


Index Number	Description Variation Number	Part Number	Index Number	Description Variation Number	Part Number
1	Crankshaft (1" O.D. x7-5/16"* tapped P.T.O.) 120	52 014 93	2	Washer, thrust. 119/.122" (A.R.) 120,131	52 468 03
1	Crankshaft (1-1/8" O.D.x7-5/16"* tapped P.T.O.) 131	82 014 07	2	Washer, thrust .128/.131" 120,131	52 468 04
1	Crankshaft (1" O.D.x7-5/16"* tapped P.T.O.) 132	82 014 09	2	Washer, thrust .137/.140" (A.R.) 120,131	52 468 05

\*Length is measured from the P.T.O. side.

# MV16, 18, 20

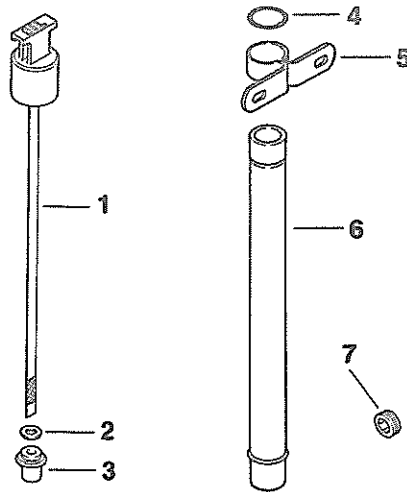
## Group 9 CYLINDER HEAD



Index Number	Description Variation Number	Part Number	Index Number	Description Variation Number	Part Number
1	Kit, cylinder head (Includes (2) 25 086 07) 15	52 755 78	5	Screw, hex. hd. 5/16-18x1-1/2" (17) 14,18	41 086 02
2	Head, cylinder (2) 11,14,18,26,29	52 015 08	5	Screw, hex. hd. 5/16-18x1-1/2" (18) 11,17,26,28	41 086 02
2	Head, cylinder (2) 17,28	52 015 10	6	Stud, 5/16-18x2" (6) 15	52 072 15
3	Gasket, head (2) 11,14,15,17,18,26,28,29	52 041 20	6	Stud, 5/16-18x3" (4) 29	232810
4	Washer, plain 5/16" (18) 11,15,17,26,28,29	220534	7	Nut, hex. 5/16-18" (6) 15	X-82-2
4	Washer, plain 5/16" (19) 14,18	220534	7	Nut, hex. 5/16-18" (4) 29	X-82-2
5	Screw, hex. hd. 5/16-18x1-1/2" (8) 15	41 086 02	8	Screw, hex. mach. 5/16-18" (4) 15	25 086 07
5	Screw, hex. hd. 5/16-18x1-1/2" (14) 29	41 086 02	8	Screw, hex. mach. 5/16-18" (2) 15	25 086 07
			8	Screw, hex. mach 5/16-18" 14,18	25 086 07

# MV16, 18, 20

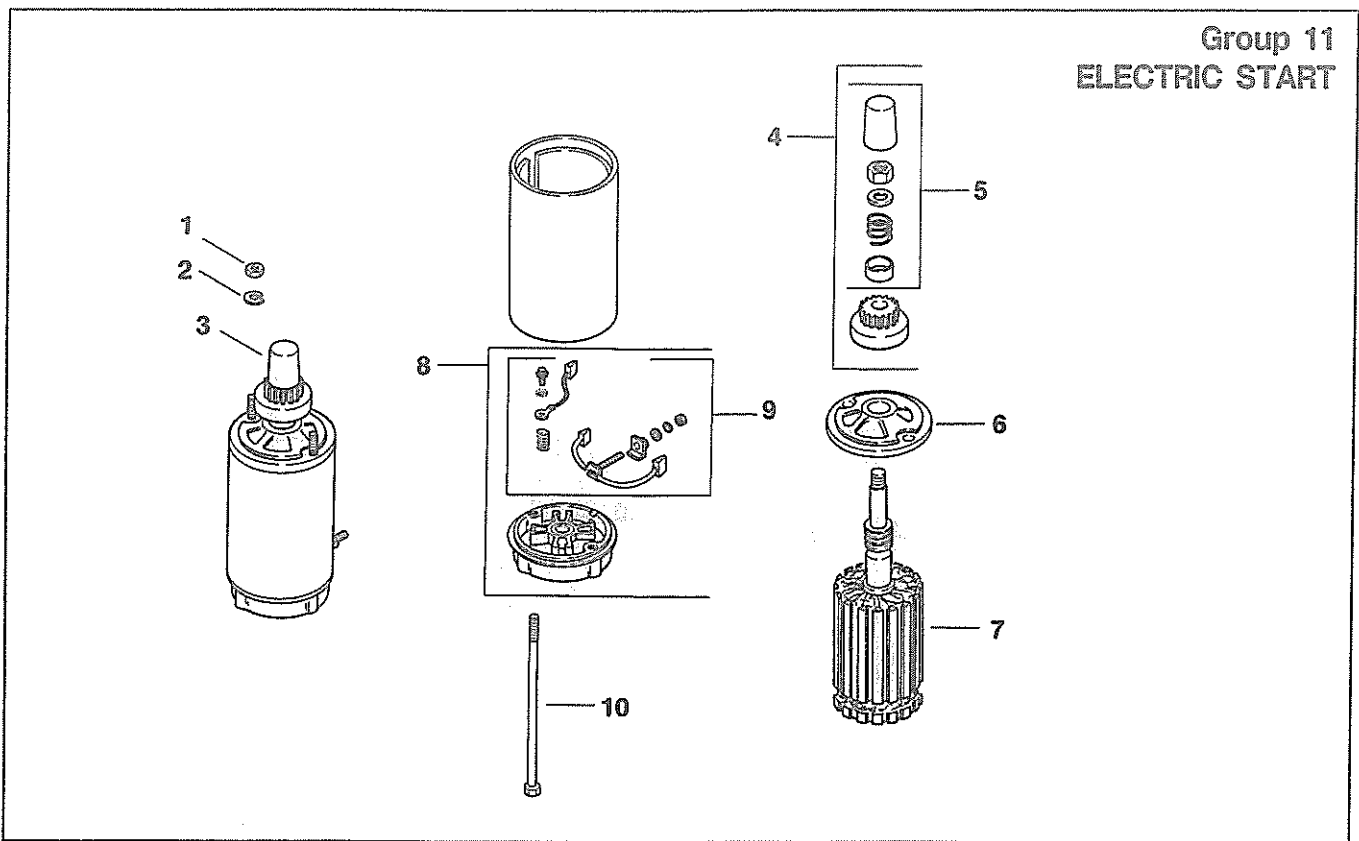
## Group 10 DIPSTICK



Index Number	Description Variation Number	Part Number	Index Number	Description Variation Number	Part Number
1	Dipstick 13-1/2" blade 17	52 038 08	5	Bracket, oil tube support 17,19	52 126 11
1	Dipstick 10-5/64" blade 18	52 038 10	6	Tube, dipstick 17	52 123 20
1	Dipstick 12-1/4" 19	52 038 12	6	Tube, dipstick 18	41 123 20
2	Washer, plain 5/16" 17,18,19	X-25-44	6	Tube, dipstick 19	52 123 23
3	Seal, rubber 17,18,19	52 032 14	7	Plug, hex ctsk. 3/4" N.P.T.F. 17,18,19	47 139 01
4	O-Ring 17,18,19	41 153 01			

MV16, 18, 20

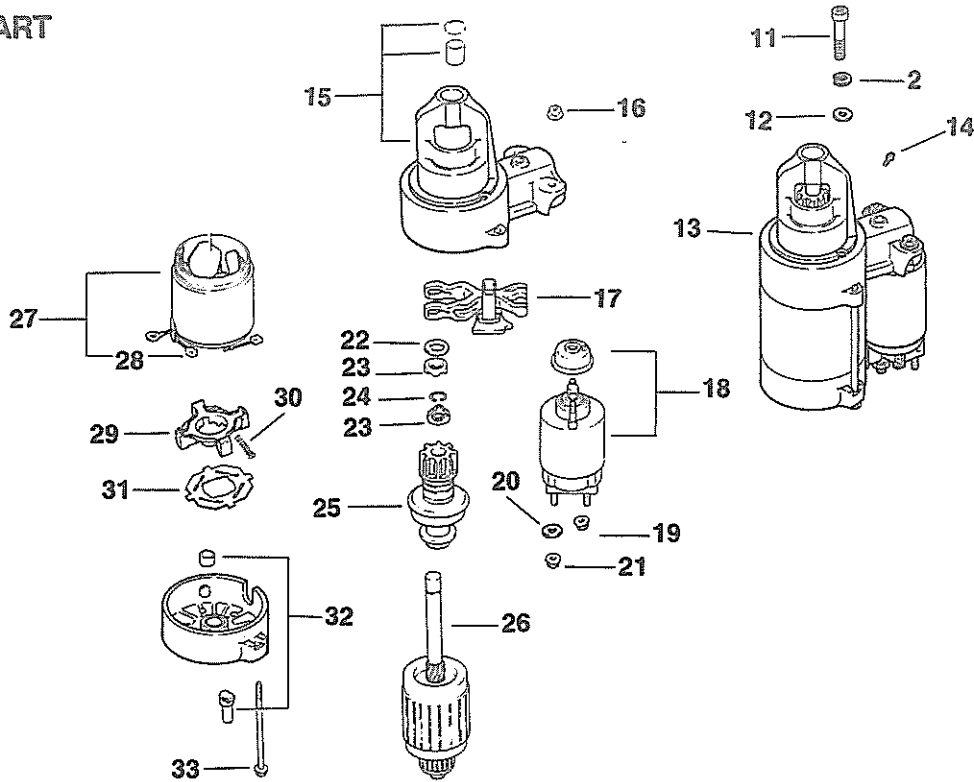
Group 11  
ELECTRIC START



Index Number	Description Variation Number	Part Number	Index Number	Description Variation Number	Part Number
1	Nut, hex 1/4-20" (2) 9,16,17,18	X-81-1	7	Armature 16	52 170 03
2	Washer, lock 1/4" (2) 9,16,17,18,19	X-20-1	8	Cap, commutator end (Includes 9) 9,17,18	52 227 09
3	Starter assembly (Includes 4 - 10) 9,17,18	52 098 09	8	Cap, commutator end (Includes 9) 16	52 227 08
3	Starter assembly (Includes 4 - 10) 16	52 098 10	9	Kit brush & spring 9,17,18	48 755 15
4	Kit, drive (Includes 5) 9,16,17,18	52 755 05	9	Kit, brush & spring 16	52 755 15
5	Kit, drive parts 9,16,17,18	52 755 08	10	Bolt, thru 1/4-20x5-7/8" (2) 9,17,18	52 211 01
6	Cap, drive end 9,16,17,18	52 227 01	10	Bolt, thru 1/4-20x6-7/8" 16	52 211 03
7	Armature 9,17,18	52 170 02	11	Screw, 1/4-20x1" (2) 19	25 086 28
			12	Washer, plain 1/4" (2) 19	X-25-63

# MV16, 18, 20

## ELECTRIC START (Cont'd)

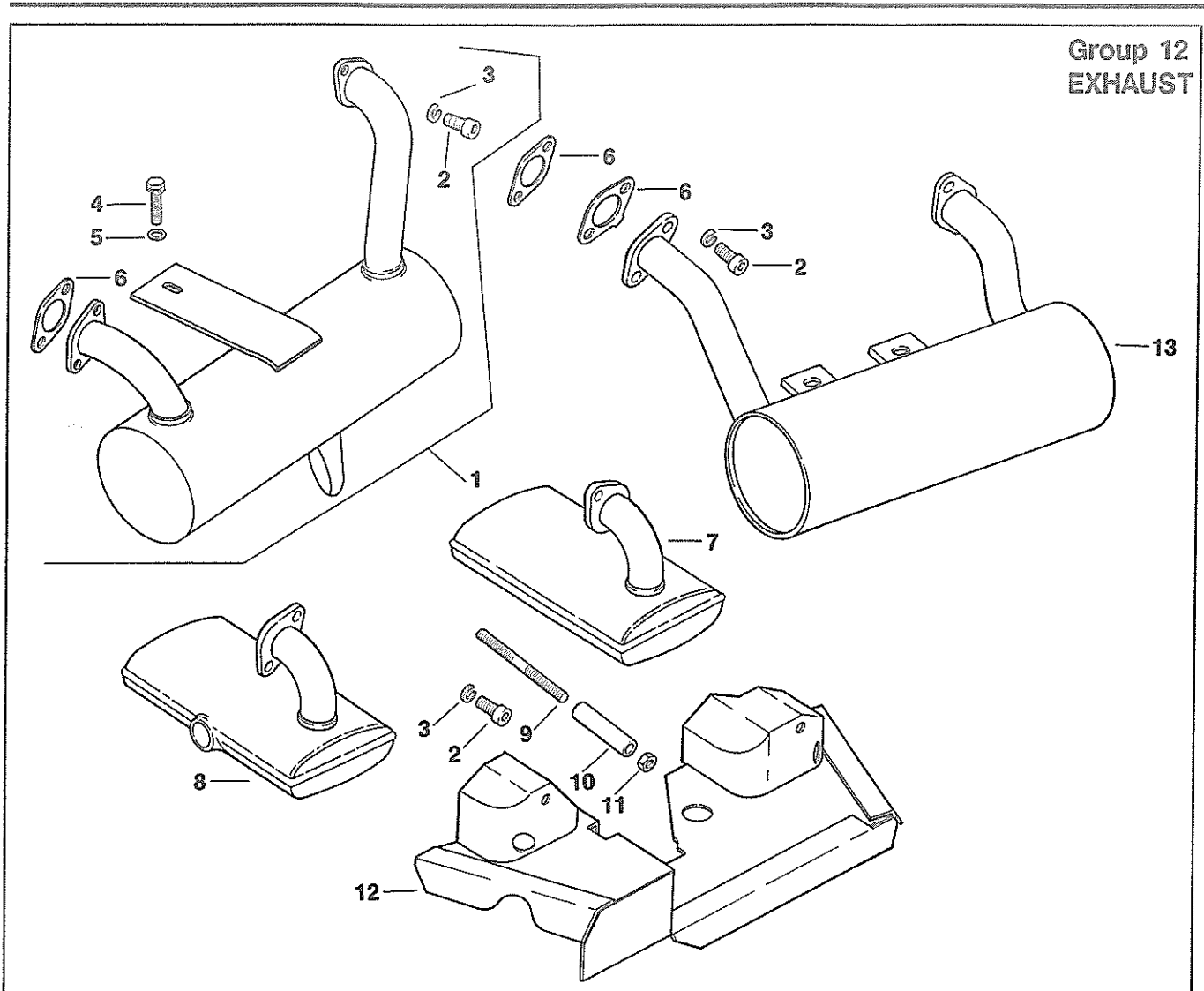


Index Number	Description Variation Number	Part Number	Index Number	Description Variation Number	Part Number
13	Starter assembly (Includes 17 - 33) 19	52 098 08	25	Drive pinion 19	52 239 01
14	Screw, hex. wash. hd. 1/4-20x7/16" 19	X-67-83	26	Armature 19	52 170 04
15	Cap, drive end 19	52 081 03	27	Frame 19	52 471 01
16	Nut, starter 19	52 100 10	28	Kit; brush 19	52 221 01
17	Lever, drive 19	52 090 17	29	Holder, brush 19	52 323 03
18	Solenoid 19	52 435 02	30	Spring, brush 19	52 089 09
19	Nut, starter 19	52 100 09	31	Insulator, starter 19	52 168 01
20	Washer, spring 19	52 468 13	32	Cap, commutator end 19	52 301 01
21	Nut, hex 5/16" 19	52 100 07	33	Bolt, thru (2) 19	52 211 05
22	Washer, thrust 19	52 468 14	Not illustrated		
23	Nut, stop collar 19	52 100 08	Tag, caution 9,16,17,18,19		25 450 03
24	Ring, retainer 19	52 141 03	Lubricant, starter 9,16,17,18,19		52 357 01



MV16, 18, 20

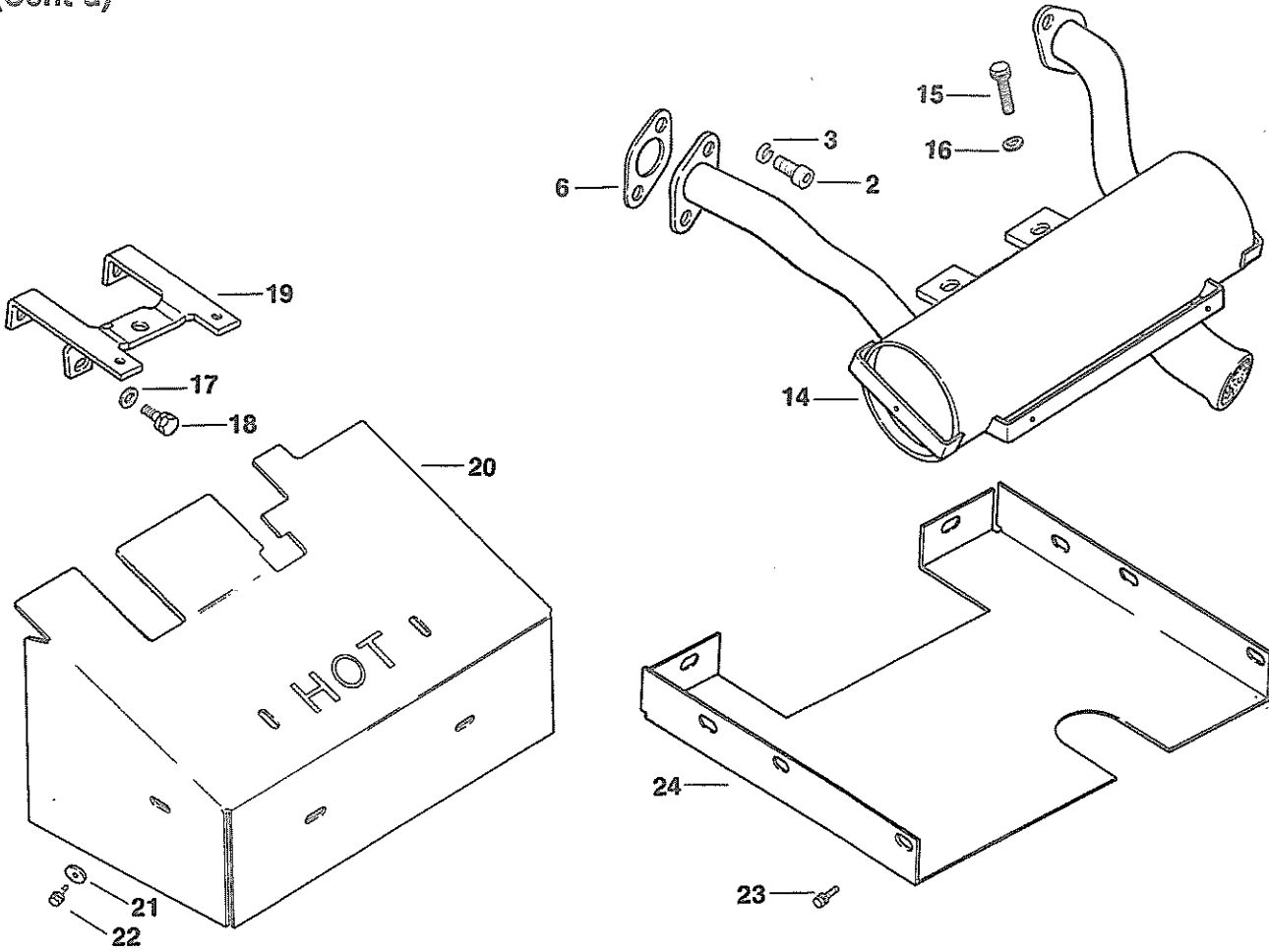
Group 12  
EXHAUST



Index Number	Description Variation Number	Part Number	Index Number	Description Variation Number	Part Number
1	Kit, exhaust (Includes 2 - 6 ) 303	52 755 86	7	Muffler, #2 side 29	52 068 26
2	Screw, hex socket hd. 5/16x18x3/4 (4) 29,32,33,34,36,37,52,54,58,300, 302,303	X-55-6	7	Muffler, #2 side 33	52 068 31
3	Washer, lock 5/16" (4) 29,32,33,34,36,37,52,54,58,302, 303	X-21-1	8	Muffler, #1 side 29	52 068 25
4	Screw, sems hex. hd. 1/4-20x5/8" (2) 32	X-132-5	8	Muffler, #1 side 33	52 068 30
4	Screw, sems hex. hd. 1/4-20x5/8" 303	-X-132-5	9	Stud, 5/16-18x4" (2) 33	52 072 13
5	Washer, plain 17/64x1x1/16" 303	X-25-73	10	Spacer (2) 33	52 112 08
6	Gasket, exhaust (2) 29,32,33,34,35,36,37,52,54,58,63, 300,301,302,303	52 041 14	11	Nut, hex 5/16-18" (4) 33	X-82-2
			12	Duct, heat shield 33	52 281 17
			13	Muffler 32,35,37	52 068 27
			13	Muffler 36	52 068 29
			13	Muffler 52	52 068 42

MV16, 18, 20

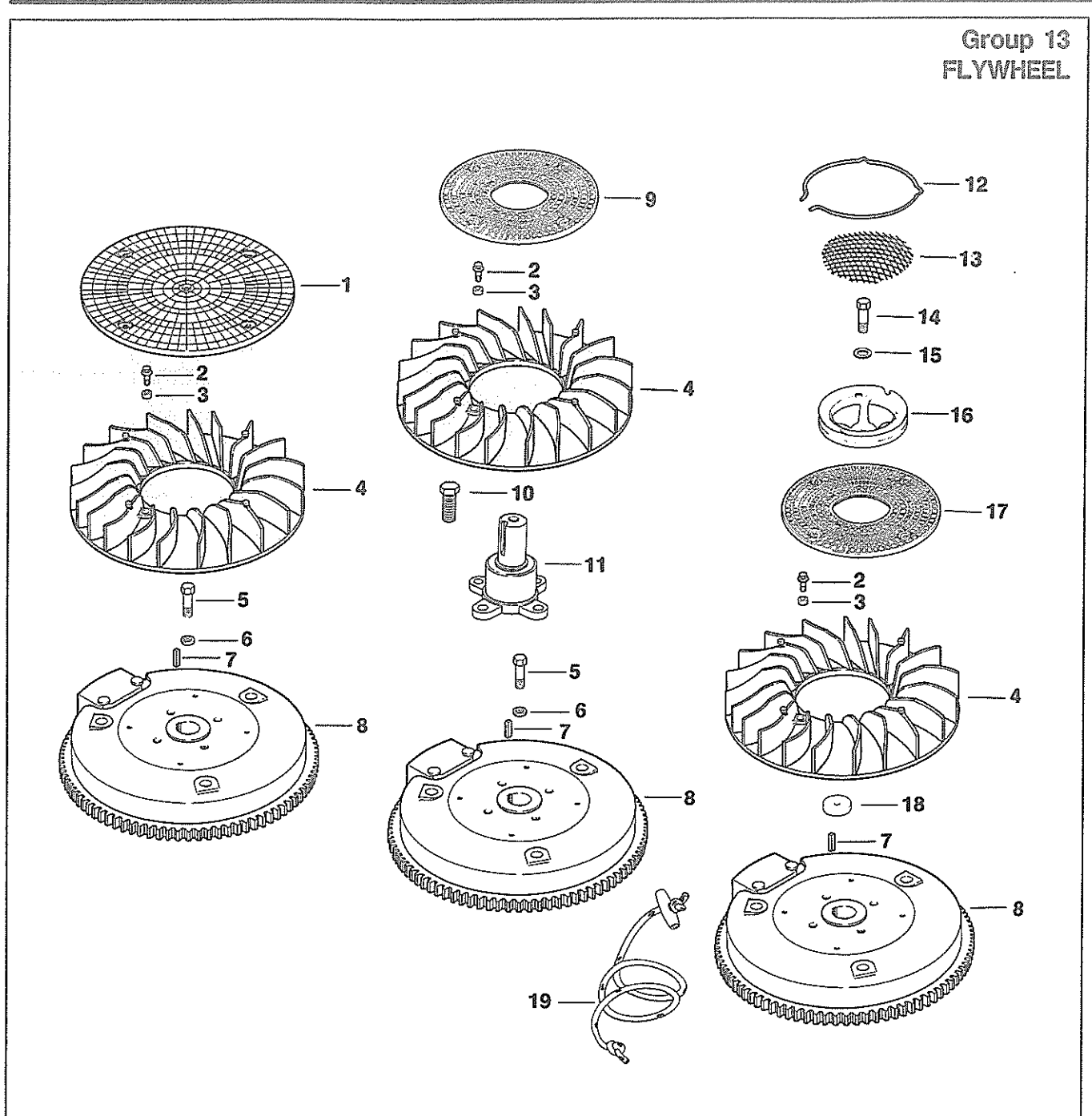
EXHAUST  
(Cont'd)



Index Number	Description Variation Number	Part Number	Index Number	Description Variation Number	Part Number
14	Muffler 54	52 068 41	19	Bracket 32,35,36,37,54,58,63	52 126 12
14	Muffler 58	52 068 43	20	Duct, heat shield 54,58	52 281 29
15	Washer, plain 17/64x3/4x16" (2) 32,35,36,37,52,54	X-25-52	20	Duct, heat shield 32,63	52 281 31
16	Screw, sems hex. hd. 1/4-20x1/2" (3) 35,52	X-132-6	21	Washer, flat 3/16" (6) 32,36,37,52,54,58	2546803
16	Screw, sems hex. hd. 1/4-20x1/2" (2) 36,37,54	X-132-6	22	Screw, drill (6) 32,36,37,52,54,58	25 086 32
17	Washer, plain 17/64x9/16" (3) 32,35,36,37,52,54,58,63	X-25-72	23	Screw, hex. wash. hd. 1/4-20x7/16" (8) 52	X-67-83
18	Screw hex. wash hd. 1/4-20x5/8" (3) 32,35,36,37,52,54,58,63	52 086 11	24	Duct, bottom air 52	52 281 25

# MV16, 18, 20

## Group 13 FLYWHEEL



Index Number	Description Variation Number	Part Number	Index Number	Description Variation Number	Part Number
1	Screen, grass 56,72,75	25 162 01	6	Washer, flat 3/8" 56,58,67,70,72,75	52 468 15
2	Screw, hex. wash hd. 1/4-20x5/8" (4) 56,58,66,67,70,72,75	25 086 21	7	Key, square 3/16x7/8" 56,58,59,67,70,72,75	X-286-17
3	Spacer 1/8" (4) 56,58,66,67,70,72,75	25 112 04	8	Flywheel 72	52 025 35
4	Fan 56,58,66,67,70,72,75	25 157 01	8	Flywheel 56,58,66,67,70	52 025 36
5	Screw, hex. mach. 3/8-24x1-1/4" 56,58,67,72,75	25 086 24	8	Flywheel 75	52 025 37

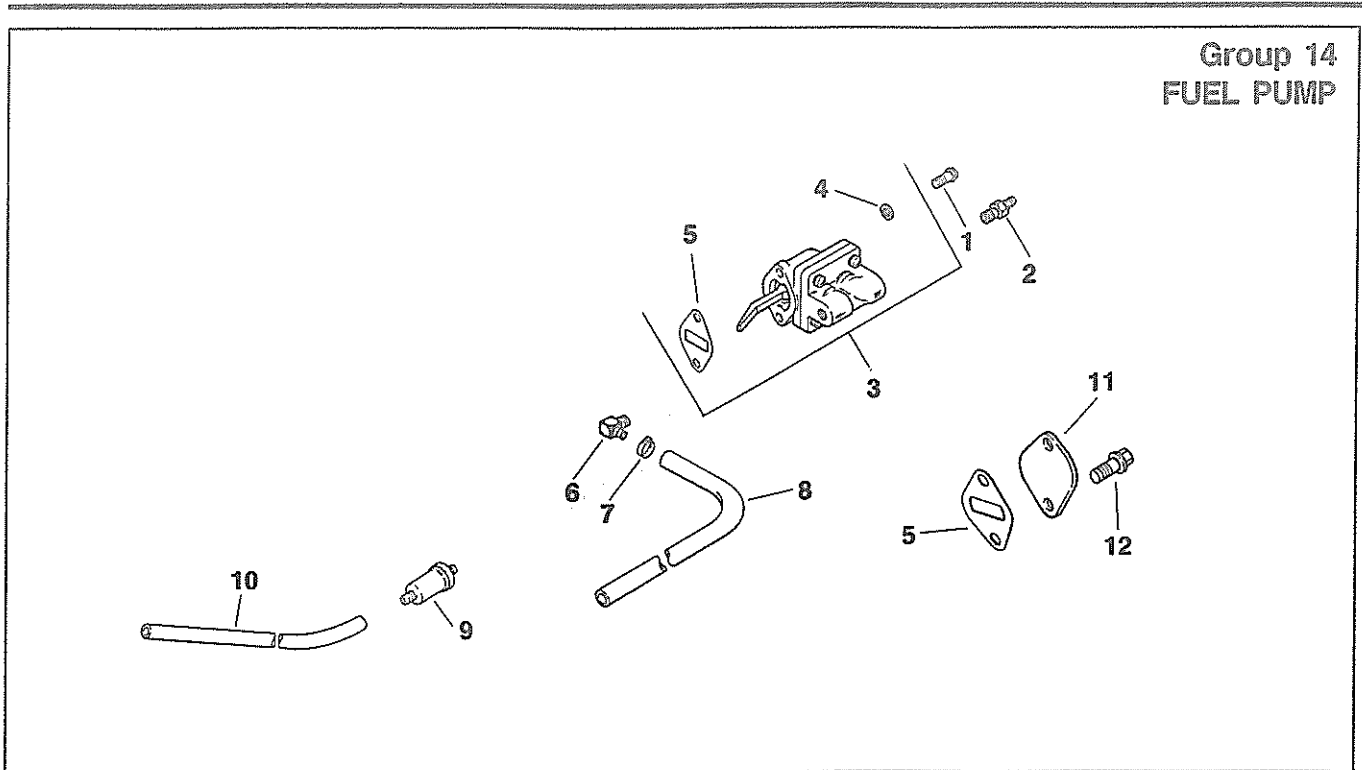
**FLYWHEEL  
(Cont'd)**

**MV16, 18, 20**

Index Number	Description Variation Number	Part Number	Index Number	Description Variation Number	Part Number
9	Screen, grass 2-1/4" dia. hole 67	25 162 03	15	Washer, plain 3/8" 66	52 114 01
10	Screw, H.C. 3/8-16x1" (4) 67	X-159-2	16	Pulley 66	47 093 01
11	Shaft, front drive 67	52 144 19	17	Screen, grass 3-1/2" dia. hole 66,70	25 162 02
12	Retainer 66	230363	18	Spacer 66	52 112 09
13	Screen 66	230098	19	Rope 66	A-230099
14	Screw, 3/8-24x1-5/8" 66,70	25 086 25	<b>NOT ILLUSTRATED</b>		
				Decal, rope start pulley 66	25 113 06

# MV16, 18, 20

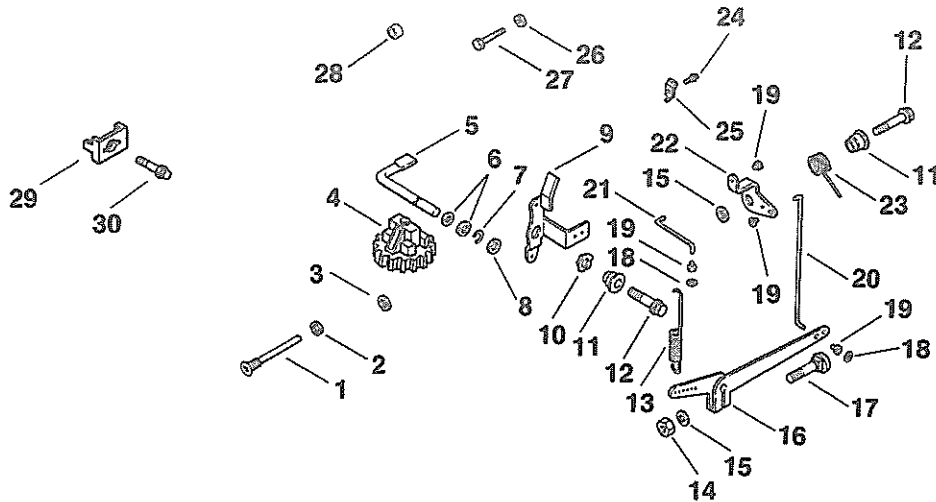
## Group 14 FUEL PUMP



Index Number	Description Variation Number	Part Number	Index Number	Description Variation Number	Part Number
1	Screw, pozidrív T.H. 1/4-20x5/8" (2) 12, 13, 24, 26, 27, 28, 32, 45	47 086 08	9	Filter, fuel 24, 26, 27, 28, 45	45 050 01
2	Connector, straight hose 12, 13, 24, 26, 27, 28, 32, 45	X-380-1	9	Filter, fuel 13, 45	25 050 01
3	Pump, fuel assembly 12, 13, 24, 26, 27, 28, 32, 45	52 559 01	10	Hose, 1/4 I.D. x 13-1/2" long 13, 24	25 353 03
4	Washer, plain 1/4" (2) 12, 13, 24, 26, 27, 28, 32, 45	X-25-63	10	Hose, 1/4 I.D. x 24" long 26	52 353 19
5	Gasket, fuel pump 2, 12, 13, 24, 26, 27, 28, 32, 45	25 041 05	10	Hose, 1/4 I.D. x 10" long 27	52 353 20
6	Connector, 90° 12, 13, 24, 26, 27, 28, 32, 45	25 155 02	10	Hose, 1/4 I.D. x 15-1/2" long 28	41 353 14
7	Clamp, hose (2) 12, 13, 26, 27, 28, 32	X-426-9	11	Cover, pump pad 2	240282
7	Clamp, hose (3) 24	X-426-9	12	Screw, H.C. 1/4-20x1/2" 2	X-132-6
8	Line, fuel 1/4 I.D. x 8" long 12, 13, 24, 26, 27, 28, 32, 45	52 353 18			

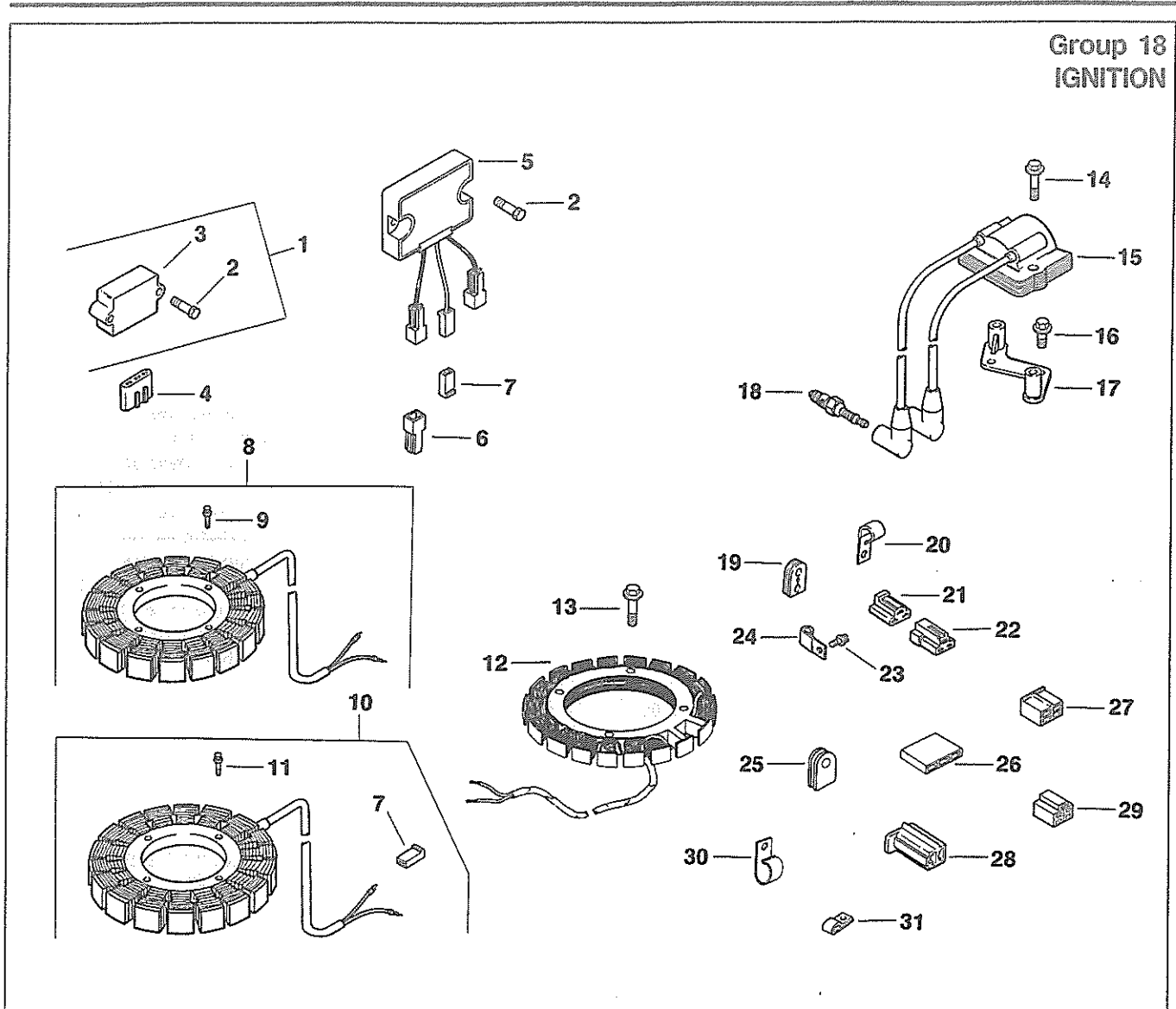
# MV16, 18, 20

## Group 17 GOVERNOR



Index Number	Description Variation Number	Part Number	Index Number	Description Variation Number	Part Number
1	Pin, governor stop 27,35,36,43,45	231355	16	Arm, governor 27,35,36,43,45	52 186 09
2	Washer, plain 1/4" 27,35,36,43,45	X-25-12	17	Screw, R. H. sp. nech 1/4-20x1" 27,35,36,43,45	52 211 04
3	Washer, governor gear thrust 27,35,43,45	237022	18	Ring, retaining 27,35,36,43,45	25 141 03
4	Kit, governor gear 27,35,36,43,45	A-235743-S	19	Bushing, linkage retaining (4) 27,35,36,43,45	25 158 08
5	Shaft, governor cross 27,35,36,43,45	52 078 04	20	Linkage, governor 27,35,36,43,45	52 079 07
6	Washer, plain 1/4" (2) 27,35,36,43,45	X-25-102	21	Linkage, throttle 27,35,36,43,45	52 079 06
7	Retainer, governor 27,35,36,43,45	X-269-28	22	Lever, throttle 27,35,36,43	52 090 14
8	Washer, plain 1/4 27,35,36,43,45	X-25-63	23	Spring, torsion 27,35,36,43,45	52 089 08
9	Lever, speed control 35	52 090 24	24	Screw, hex. wash. hd. 10-24x3/8" (3) 27,35,43,45	X-67-97
9	Lever, speed control 27,45	52 090 23	25	Clamp (3) 27,35,43,45	235778
9	Lever, speed control 36,43	52 090 25	26	Nut, hex. 10-32" 27,35,36,43,45	X-70-3
10	Washer, tension 27,35,36,43,45	277341	27	Screw, hex. hd. 10-32x1-3/4" 27,35,43,45	52 086 05
11	Bushing, lever (2) 27,35,36,43,45	52 158 07	27	Screw, hex. hd. 10-24x5/8" (3) 36	X-67-38
12	Screw, hex. wash. hd 1/4-20x1" (2) 27,35,36,43,45	25 086 15	27	Screw, hex. hd. 8-32" 35	41 086 20
13	Spring, governor 27,35,36,43,45	52 089 07	28	Spacer 27,35,36,43,45	25 431 01
14	Nut, hex. 1/4-20" 27,35,36,43,45	X-81-1	29	Clamp (3) 36	12 237 01
15	Washer, plain 1/4" (2) 27,35,36,43,45	X-25-72	30	Screw, throttle lever 27,35,36,43,45	25 086 21
15	Washer, plain 1/4" 35	X-25-102			

Group 18  
IGNITION



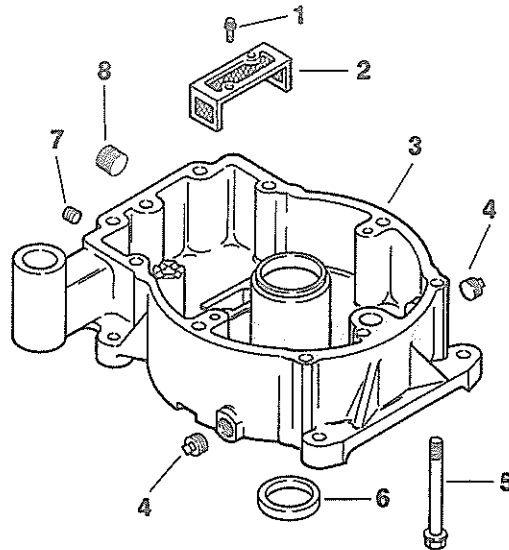
Index Number	Description Variation Number	Part Number	Index Number	Description Variation Number	Part Number
1	Kit, rectifier-regulator (Includes 2,3) 35,38,39,40,41,42,43,47,48,50,52, 55,56,63,65,66,72,74,75,78,79	25 755 03	8	Kit, stator (Includes (4) X-67-51) 35,38,39,40,41,42,43,47,48,50,52, 55,56,63,65,66,72,74,75,78,79	237878
2	Screw, H.C. 1/4-20x5/8" (2) 35,38,39,40,41,42,3,45,47,48,50, 52,55,56,63,65,66,72,74,75,78,79	X-132-5	9	Screw, H.C. 10-24x3/8" (3) 35	X-67-51
3	Rectifier-regulator 35,38,39,40,41,42,43,47,48,50,52, 55,56,63,65,66,72,74,75,78,79	41 403 09	9	Screw, H.C. 10-24x3/4" (4) 35,38,39,40,41,42,43,47,48,50,52, 55,56,63,65,66,72,74,75,78,79	X-67-51
4	Connector 37	277563	9	Screw, H.C. 10-24x3/4" 60	X-57-51
5	Rectifier-regulator 45	25 403 01	10	Kit, stator (Includes 7,11) 45	25 755 07
6	Connector tab, rect./reg. B+ 45	25 155 03	11	Screw, H.C. 10-24x3/4" (4) 45	25 086 29
7	Connector, receptacle - reg./rect. A/C (2) 45	25 155 04			

Index Number	Description Variation Number	Part Number	Index Number	Description Variation Number	Part Number
12	Stator 60	45 085 02	29	Connector 50	48 155 01
13	Screw, hex. wash hd. 10-24x7/16" (3) 60	X-67-9	30	Clip 75,78	47 154 01
14	Screw, hex. wash. hd. 1/4-20x7/8" (2) 35,37,38,39,40,41,42,43,45,47,48, 50,52,55,56,60,63,65,66,72,74,75, 78,79	25 086 16	30	Clip (2) 41	47 154 01
15	Module, Ignition 35,37,38,39,40,41,42,43,45,47,48, 50,52,55,56,60,63,65,66,72,74,75 78,79	52 584 02	31	Clip 43,48,56,65,66,72,74,75,78	210281
NOT ILLUSTRATED					
16	Screw, hex. wash hd. 1/4-20x1" (2) 35,37,38,39,40,41,42,43,45,47,48, 50,52,55,56,60,63,65,66,72,74,75 78,79	25 086 15		Lead, module to connector & high-temp cut-out 52,55	52 176 07
17	Bracket, module 35,37,38,39,40,41,42,43,45,47,48, 50,52,55,56,60,63,65,66,72,74,75, 78,79	52 126 08		Lead, white, module to connector (27" - 18 gauge - insulated push on tab - uninsulated push on tab terminals) 50,63	52 518 16
18	Spark plug (2) 35,37,38,39,40,41,42,43,45,47,48, 50,52,55,56,60,63,65,66,72,74,75, 78,79	51 132 02		Lead, white, module to connector (12-1/2" - 18 gauge - insulated push on tab - uninsulated push on tab terminals) 43,47,48,56,72,74,75,78	52 518 17
19	Grommet 35,37,38,39,40,41,42,43,45,47,48, 50,52,55,56,60,63,65,66,72,74,75, 78,79	52 313 02		Lead, white, module to connector (19-1/2" - 14 gauge - insulated push on tab - uninsulated push on tab - uninsulated push on tab terminals) 35,37,38,39,40,42,45,60,65,66,79	52 518 19
20	Clip 35,37,38,39,40,41,42,45,47,50,52, 55,60,63,79	235173		Lead, black, reg/rect. (16" - 14 gauge - uninsulated push on tab terminals) 50	25 518 10
21	Connector, male (3 contact) 35,38,39,41,42,43,45,47,48,52,55, 56,60,63,65,66,72,74,75,78	236473		Lead, white, module to connector (22" - 14 gauge - insulated push on tab, uninsulated push on tab terminals) 41	52 518 24
22	Connector, female (3 contact) 39,42,52,55,60,63,65,66	237088		Lead, red, reg/rect. (13" - 12 gauge - uninsulated push on tab terminals) (Discontinued not available at Kohler Co.) 45	52 518 11
23	Screw, hex. wash hd. 1/4-20x7/16" 35,39,52,55,79	X-67-83		Lead, violet, rectifier-regulator (11" - 14 gauge-uninsulated push on tab terminals) 35,38,39,40,42,43,47,48,52,55,56, 65,66,72,74,75,78,79	47 518 33
24	Clip 35,39,55,79	48 154 02		Lead, violet, rectifier-regulator (23" - 14 gauge -uninsulated push on tab terminals) 41	47 518 36
24	Clip (2) 43,47,48,53,72	48 154 02		Lead, violet, rectifier-regulator (15" - 14 gauge - uninsulated push on tab terminals) 63	41 518 27
25	Grommet 43,48,72,74,75,78	220297			
26	Connector, female (3 contact) 35,38,39,40,41,42,43,47,48,40,52, 55,56,63,65,66,72,74,75,78,79	236602			
27	Connector 79	41 155 02			
28	Connector 40	41 155 03			



# MV16, 18, 20

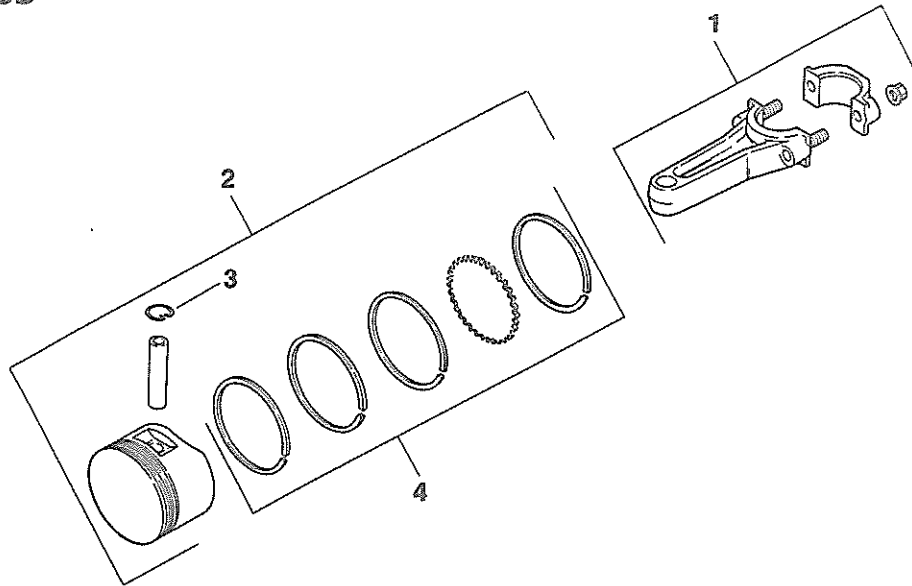
## Group 21 OIL PAN



Index Number	Description Variation Number	Part Number	Index Number	Description Variation Number	Part Number
1	Screw, hex. wash. hd 10-32x7/16" (2) 1,2,3,4	X-67-64	4	Plug, square solid hd. 3/8" N.P.T.F (2) 1,2,3,4	X-75-10
2	Filter, oil pickup 1,2,3,4	52 050 03	5	Screw, hex. wash hd. 5/16-18x3-1/4" (9) 1,2,3,4	52 086 12
3	Oil pan 1,2,4	52 199 03	6	Seal, rear oil 1,2,3,4	52 032 10
3	Oil pan 3	52 199 04	7	Plug, hex ctsk. 1/4" N.P.T.F. 3	X-75-38
			8	Plug, hex ctsk. 3/8" N.P.T.F. 4	X-75-32

# MV16, 18, 20

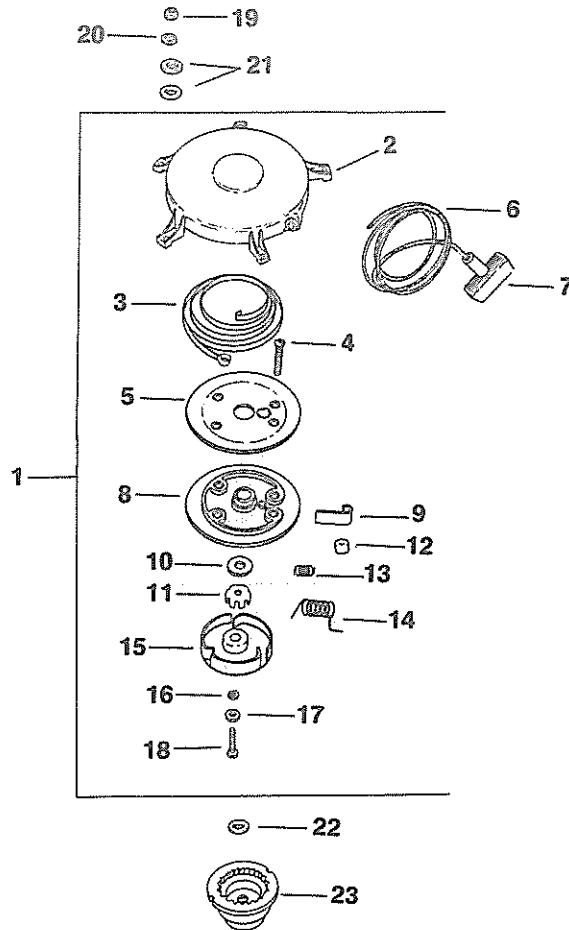
## Group 22 PISTON & ROD



Index Number	Description Variation Number	Part Number	Index Number	Description Variation Number	Part Number
1	Connecting Rod (Std.) (2) 14	52 067 67	2	Piston w/Ring Set (Std.) (2) 15	52 874 16
1	Connecting Rod (.010) (2) 14	52 067 68	2	Piston w/Ring Set (.003) 15	52 874 17
1	Connecting Rod (Std.) (2) 15	52 067 71	2	Piston w/Ring Set (.010) 15	52 874 18
1	Connecting Rod (.010) (2) 15	52 067 72	2	Piston w/Ring Set (.020) 15	52 874 19
2	Piston w/Ring Set (Std.) (2) 14	52 874 11	2	Piston w/Ring set (.030) 15	52 874 20
2	Piston w/Ring Set (.003) 14	52 874 12	3	Retainer, piston pin (4) 14,15	230004
2	Piston w/Ring Set (.010) 14	52 874 13	4	Ring Set (Std. & .003) (2) 14,15	52 108 09
2	Piston w/Ring Set (.020) 14	52 874 14	4	Ring Set (.010) (2) 14,15	52 108 10
2	Piston w/Ring set (.030) 14	52 874 15	4	Ring Set (.020) (2) 14,15	52 108 11
			4	Ring Set (.030) (2) 14,15	52 108 12

# MV16, 18, 20

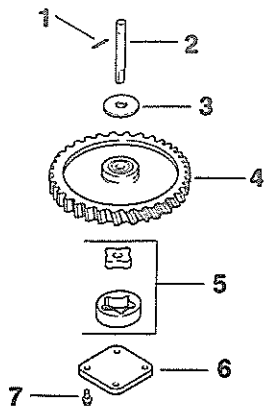
## Group 23 RETRACTABLE STARTER



Index Number	Description Variation Number	Part Number	Index Number	Description Variation Number	Part Number
1	Retractable starter assembly (Includes 2 - 18)		13	Spring, retainer (Use with 47 112 04 only)	
	1	47 165 01		1	232525
2	Housing		14	Spring, dog (3) (Replaces 12&13)	
	1	235696		1	41 089 06
3	Spring		15	Retainer	
	1	231705		1	231699
4	Screw, recoil starter (4)		16	Washer, spacer	
	1	231683		1	231693
5	Sheave		17	Washer, recoil starter	
	1	231685		1	231690
6	Rope		18	Screw, clutch	
	1	231686		1	231691
7	Handle		19	Nut, hex. 10-32 (5)	
	1	234452		1	X-70-3
8	Pulley		20	Washer, lock #10 (5)	
	1	231697		1	X-19-1
9	Dog (3)		21	Washer (10)	
	1	231695		1	25 468 03
10	Washer, thrust		22	Washer, flat 3/8" I.D., 1-3/8 O.D. x 1/4" (2)	
	1	231692		1	52 468 15
11	Brake		23	Cup, drive	
	1	231689		1	47 109 01
12	Spacer (Use with 232525 only)				
	1	47 112 04			

# MV16, 18, 20

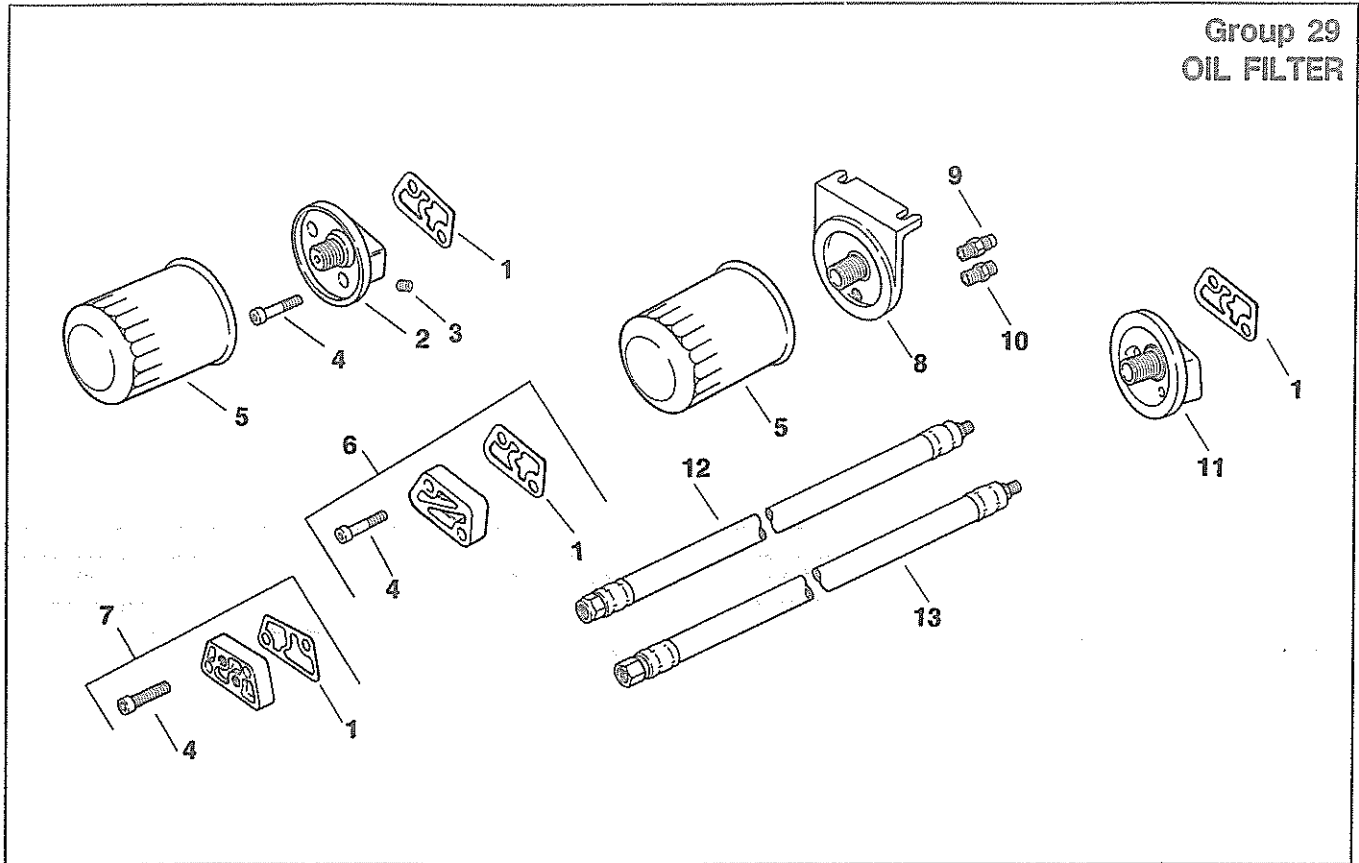
## Group 25 OIL PUMP



Index Number	Description Variation Number	Part Number	Index Number	Description Variation Number	Part Number
1	Pin, roll 5	X-280-25	5	Rotor set 5	52 393 09
2	Shaft, oil pump 5	52 144 05	6	Cover, oil pump 5	52 096 03
3	Spacer, shim (A.R. max. 2) 5	52 422 01	7	Screw, hex. wash. hd. 10-32x7/16" (4) 5	X-67-64
4	Gear, oil pump 5	52 043 05			

# MV16, 18, 20

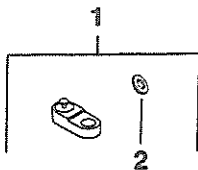
## Group 29 OIL FILTER



Index Number	Description Variation Number	Part Number	Index Number	Description Variation Number	Part Number
1	Gasket, oil filter 2,4,10,13,14,15	52 041 16	10	Connector, reducing (1/2-20 SAE 45°x male flare, 1/4-18 N.P.T.F. x 1-5/16" long)	
2	Adapter, oil filter 13,14	52 029 15	11	Adapter, oil filter 2	52 155 03 52 181 03
3	Plug, hex. ctsk. 1/8" N.P.T.F. 13	X-75-23	12	Oil hose (white tracer) (1/8-27 N.P.T.F. male coupling 1/2-20 SAE 45° flare female coupling x 23" long)	52 326 09
4	Screw, socket head cap 5/16-18x1/4" (2) 2,4,13,14,15	X-55-15	12	Oil hose (white tracer) (1/8-27 N.P.T.F. male coupling 1/2-20 SAE 45° flare x 9-1/2" long)	52 326 14
5	Oil filter 2,10,13,14,15	52 050 02	13	Oil hose (red tracer) (1/8-27 N.P.T.F. male coupling 1/4-18 N.P.S.M female coupling x 23" long)	52 326 11
6	Kit, non-filter cover (Includes 1,4) 4	52 755 66	13	Oil, hose (red tracer) (1/8-27 N.P.T.F. male coupling 1/4-18 N.P.S.M. female coupling x 9-1/2" long)	52 326 15
7	Kit, remote filter cover (Includes 1,4) 10,15	52 755 67			
8	Adapter 10	25 029 01			
9	Nipple 10,15	52 136 02			

# MV16, 18, 20

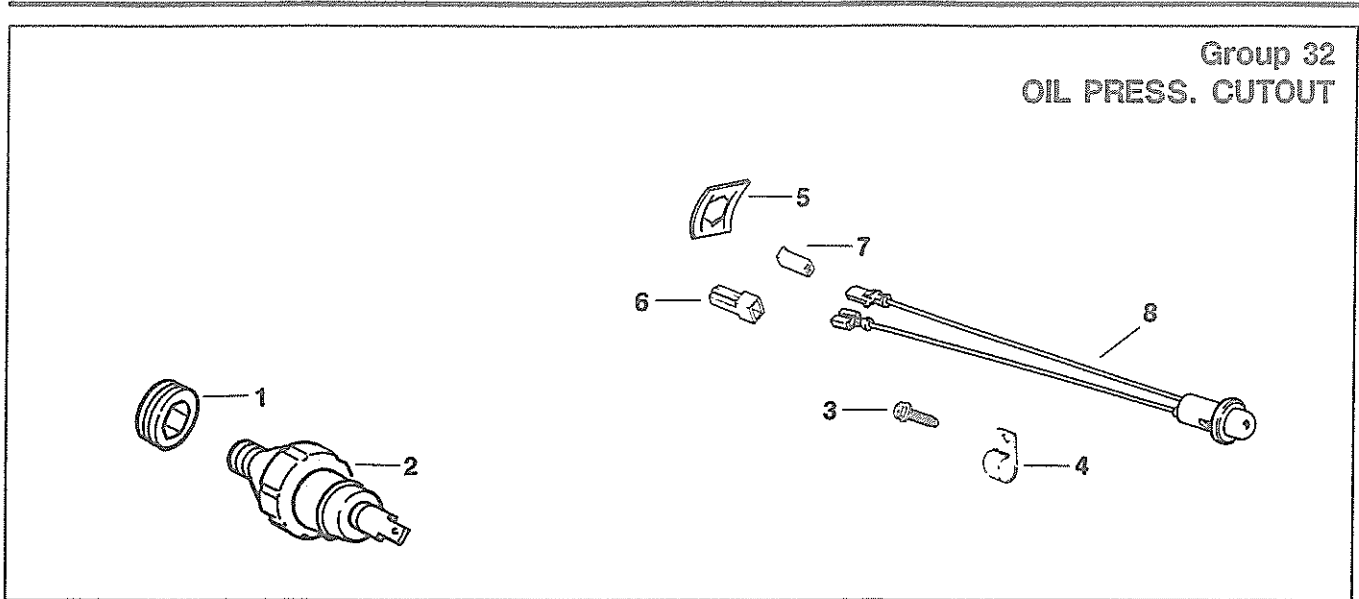
## Group 31 HIGH TEMP. CUTOUT



Index Number	Description Variation Number	Part Number	Index Number	Description Variation Number	Part Number
1	Kit, hi-temp cutout (Includes 2) 1,300	47 703 01			
			<b>NOT ILLUSTRATED</b>		
2	Washer, hi-temp cutout 3/8" I.d. 13/16 O.D. x 1/8" 1,300	47 468 07		Lead, black, switch to connector (20" - 18 gauge -uninsulated push on tab terminals) 300	25 518 15

MV16, 18, 20

Group 32  
OIL PRESS. CUTOUT



Index Number	Description Variation Number	Part Number	Index Number	Description Variation Number	Part Number
1	Plug, hex. 1/8" 15,17	X-75-23	<b>NOT ILLUSTRATED</b>		
2	Switch, oil pressure 22,23	52 099 05		Lead, blue (6" - 18 gauge - uninsulated push on tab terminal - insulated push on tab terminals)	
2	Switch, oil pressure 6,8,14,17,300,301	52 099 06	22		41 518 20
3	Screw, tapping 10-32x7/16" 17	X-67-64		Lead, green (21" - 18 gauge - insulated push on tab - uninsulated push on tab terminals)	
4	Clip 17	275303	6		52 518 08
5	Nut, speed 23,300	25 100 03		Lead, green (16" - 18 gauge - insulated push on tab - uninsulated push on tab terminals)	
6	Connector 23,300	25 155 03	8		52 518 13
7	Receptacle, connector 23,300	25 155 04		Lead, green (21" - 18 gauge - insulated push on tab - uninsulated push on tab terminals)	
8	Indicator, light 23,300,301	25 352 01	17		52 518 20
				Lead, green, pressure switch (12" - 18 gauge - insulated push on tab - uninsulated push on tab terminals)	
			14,23,300		52 518 21
				Decal, oil sentry protection 6,8,14,17,300	25 113 05

# MV16, 18, 20

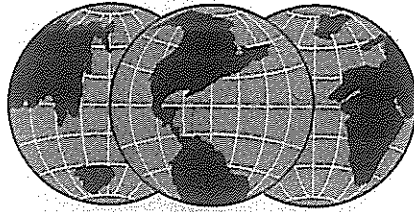
---

Index Number	Description Variation Number	Part Number
	<b>GASKET SET (w/ Seals)</b>	<b>52 755 94</b>
	<i>Set Includes</i>	
	Seal, front oil	52 032 10
	Seal, rear oil 1-3/8" I.D.	X-583-5
	Seal, rear oil 1-1/2" I.D.	52 032 08
	Gasket, air cleaner	52 055 04
	Gasket, air cleaner	25 041 06
	Gasket, fuel pump	25 041 05
	Gasket, intake (2)	52 041 09
	Gasket, exhaust (2)	52 041 10
	Gasket, exhaust (2)	52 041 14
	Gasket, closure plate	52 041 15
	Gasket, carburetor	271030
	Gasket, carburetor	277093
	Seal, valve stem (2)	52 032 13
	Gasket, cylinder head (2)	52 041 20
	Gasket, valve cover (3)	52 055 01
	Gasket, oil filter	52 041 16
	Seal, breather	52 032 04

---



**THE NEW SHAPE OF KOHLER POWER**



**KOHLER**engines

ENGINE DIVISION, KOHLER CO., KOHLER, WISCONSIN 53044

FOR SALES AND SERVICE INFORMATION  
IN U.S. AND CANADA, CALL  
**1-800-544-2444**

FORM NO.:	TP-2305-B
ISSUED:	7/87
REVISED:	3/93
MAILED:	

LITHO IN U.S.A.