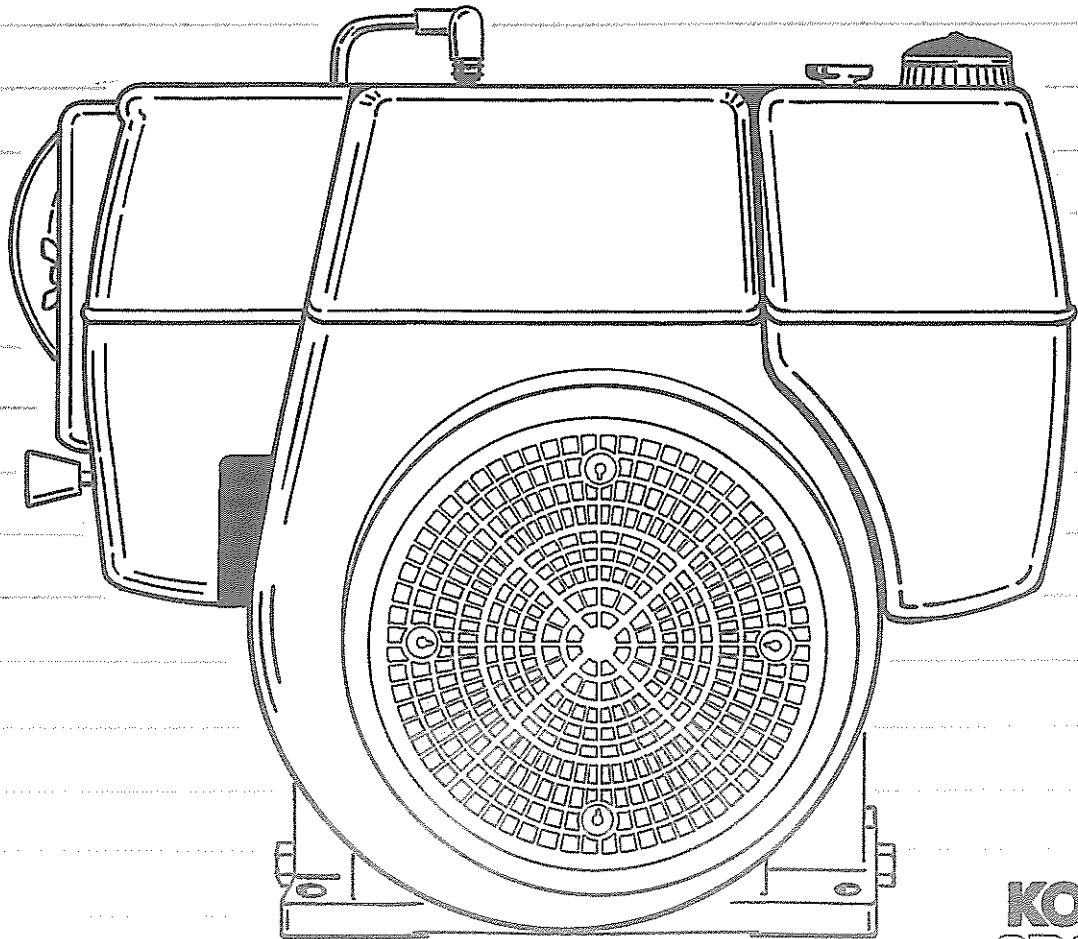


PARTS MANUAL

MAGNUM

MODEL M14 14 HP

Engine Specs 601500 - 601557



KOHLER
engines

HOW TO FIND PART NUMBERS

- Turn the page of the parts manual to the "Composite Exploded View." Notice the boxed groupings identified by their function along with a corresponding number. The group function and number applies to all engine models.

For example:

Function (Group Description)	Group Number
Air Intake	1
Baffles & Shroud	2
Breather & Vent	3
Camshaft & Valves	4
Carburetor	5
Electric Starter	11
Ignition	18
etc.	

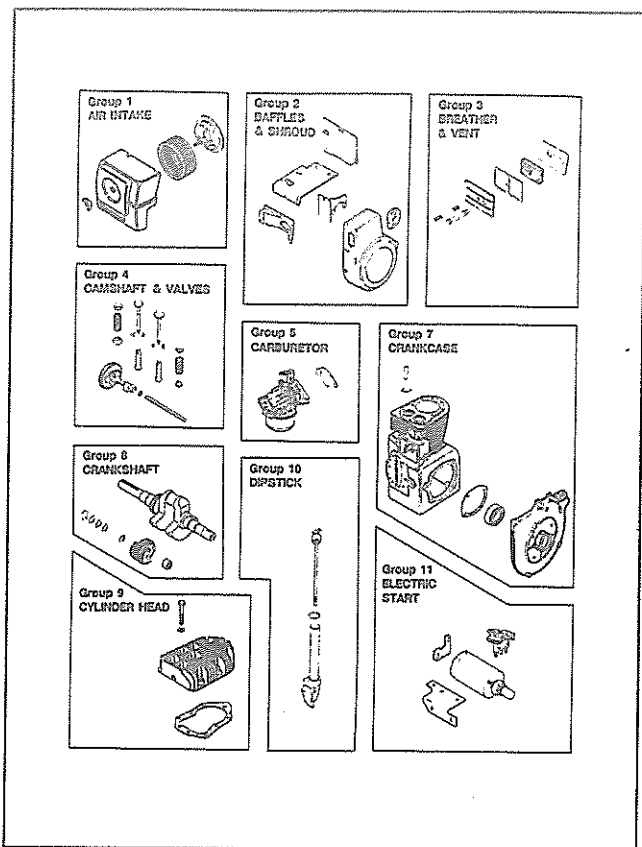
Remember the Group Number in which you located your part. (If the part you need is not illustrated, locate a major engine function related to your part and use that Group Number.)

Example: You need an air cleaner for M14, specification 601501. The air cleaner is found in Group 1.

- Now turn to the pages titled "Specification Number Index." When scanning these pages, you'll notice;

- Page Numbers indexing where Group Parts are listed (for Group 1 the listing begins on page 8);
- Specification Numbers listed vertically down the first column;
- "Variation" Numbers in the Group Number columns. (These numbers specifically identify a particular group (combination) of parts used in a particular model - and are used to locate the specific part numbers.)

Locate your specification number in the first column. Go across the page to the Group Number column for your part. Jot down the Variation Number found in that column. For our example (spec. 601501), the variation number under Group 1 is "98".



Group Title & Number	AIR INTAKE	BAFFLES & SHROUD	BREATHER & VENT	CAMSHAFT & VALVES	CARBURETOR	CRANKCASE	CRANKSHAFT	CYLINDER HEAD	DIPSTICK	ELECTRIC START	IGNITION	VALVE	WHEEL	Oil Feed	Oil Pan	Oil Seal	Oil Seal
Page No.	8	10	11	12	13	14	15	16	17	18	19	20	21	22	23	24	25
Grid No.	A7	A8	A9	A10	A11	A12	A13	A14	A15	A16	A17	A18	A19	A20	A21	A22	A23
Spec. No.	601501	98															

HOW TO FIND PART NUMBERS

M14

Index Number	Description	Variation Number	Number	Number	Variation Number	Number
1	Wing nut 1/4"-20" 72, 85, 87, 88, 89, 100, 102, 103, 105, 503, 591		X-875-7	2	Cover, air cleaner 87	47 028 10
2	Cover, air cleaner (Replaced by 47 098 12) 98, 103		47 098 03	3	Cover, air cleaner 102	47 028 10
					Wing Jam 1/4"-20" 87, 88, 102, 103, 105	41 109 03

2 Cover, air cleaner
(Replaced by 47 098 12)
98, 103 47 096 08

3. Go to the page for your Group (page 16) and look at the illustrations to find the one most similar to the original part.

A. Each part in the illustration is identified with an index number or letter. Use that identifier to locate the part description in the listing.

B. Find your "Variation Number", from Step 2, immediately below the description.

C. The correct part number will be in the column to the right of your variation number.

For our example, the air cleaner cover that looks like the original is index number 2. Looking in the listing next to index 2, we find our Variation Number (98), is shown, so the correct part number is 47 096 08.

Special Features

Near the end of the Parts Manual Binder is a separate section devoted to repair options for major damage. "Selection Guides" for each model engine give several different methods of repairing Kohler Engines . . . with the choice dependent on shop facilities, costs, and allowable downtime of the engine and/or equipment.

Selection guides are easy references for determining part numbers of Replacement/Service Engines, Short Blocks or Miniblocks. They also list part numbers of crankshafts installed in original engines.

Here is what you'll find:

- A. Engine model is identified on each page for easy reference;
- B. Bold column heads identify the various re-power options for every engine spec;
- C. All crankshaft changes required for Replacement Engines are flagged with "Yes;"
- D. Replacement/Service Engines, Short Blocks and Miniblocks.

M14

There are several methods of repairing M14 engines to consider—with the choice depending on your shop facilities, repair costs, and allowable downtime of the engine.

- Engine Replacement:** When decision is to replace, use a Kohler Replacement Engine—No modifications required.
- Short Block Replacement:** When engine including the crankshaft is extensively damaged or worn internally. Refer to page 3 for short block components.
- Miniblock Replacement:** When bore, piston, and connecting rod are damaged but crankshaft and all other parts are in good condition. Refer to page 3 for miniblock components.
- Complete Overhaul:** Re-bore cylinder and grind crankshaft, using appropriate oversize and/or undersize replacement parts.

This Selection Guide provides an easy reference for determining the part number of the Replacement Engine or Short Block required for the repair method selected. It also lists the part number of the crankshaft installed in the original engine.

Locate the engine specification number in the index below. Select the part number of the repair method listed in the adjacent columns.

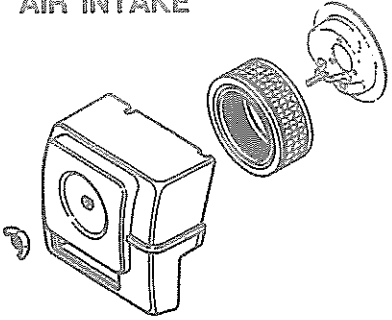
ENGINES SPECIFICATIONS									
Engine Type	Orig. Service/Engine No.	Original Crankshaft	Replac. Short Block	Replac. Mini-Block	Engine Spec No.	Supp. Replac. Engine No.	Original Crankshaft	Replac. Short Block	Replac. Mini-Block
60150H	60150H	45 142 21	77 522 00	47 782 3A	60150H	-	45 142 23	77 522 00	47 782 3A
60150T	60150T	45 142 21	77 522 00	47 782 3A	60150T	-	45 142 23	77 522 00	47 782 3A
60150S	60150S	45 142 21	77 522 00	47 782 3A	60150S	-	45 142 23	77 522 00	47 782 3A
60150A	60150A	45 142 22	-	47 782 3C	60150A	-	45 142 23	77 522 00	47 782 3A
60150B	60150B	45 142 22	-	47 782 3C	60150B	-	45 142 23	77 522 00	47 782 3A
60150C	60150C	45 142 22	77 522 04	47 782 3A	60150C	-	45 142 23	77 522 00	47 782 3A
60150D	60150D	45 142 21	77 522 00	47 782 3A	60150D	-	45 142 23	77 522 00	47 782 3A
60150E	60150E	45 142 21	77 522 00	47 782 3A	60150E	-	45 142 23	77 522 00	47 782 3A
60150F	60150F	45 142 21	77 522 00	47 782 3A	60150F	-	45 142 23	77 522 00	47 782 3A
60150G	60150G	45 142 21	77 522 00	47 782 3A	60150G	-	45 142 23	77 522 00	47 782 3A
60150I	60150I	45 142 21	77 522 00	47 782 3A	60150I	-	45 142 23	77 522 00	47 782 3A
60150J	60150J	45 142 21	77 522 00	47 782 3A	60150J	-	45 142 23	77 522 00	47 782 3A
60150K	60150K	45 142 21	77 522 00	47 782 3A	60150K	-	45 142 23	77 522 00	47 782 3A
60150L	60150L	45 142 21	77 522 00	47 782 3A	60150L	-	45 142 23	77 522 00	47 782 3A
60150M	60150M	45 142 21	77 522 00	47 782 3A	60150M	-	45 142 23	77 522 00	47 782 3A
60150N	60150N	45 142 21	77 522 00	47 782 3A	60150N	-	45 142 23	77 522 00	47 782 3A
60150O	60150O	45 142 21	77 522 00	47 782 3A	60150O	-	45 142 23	77 522 00	47 782 3A
60150P	60150P	45 142 21	77 522 00	47 782 3A	60150P	-	45 142 23	77 522 00	47 782 3A
60150Q	60150Q	45 142 21	77 522 00	47 782 3A	60150Q	-	45 142 23	77 522 00	47 782 3A
60150R	60150R	45 142 21	77 522 00	47 782 3A	60150R	-	45 142 23	77 522 00	47 782 3A
60150S	60150S	45 142 21	77 522 00	47 782 3A	60150S	-	45 142 23	77 522 00	47 782 3A
60150T	60150T	45 142 21	77 522 00	47 782 3A	60150T	-	45 142 23	77 522 00	47 782 3A
60150U	60150U	45 142 21	77 522 00	47 782 3A	60150U	-	45 142 23	77 522 00	47 782 3A
60150V	60150V	45 142 21	77 522 00	47 782 3A	60150V	-	45 142 23	77 522 00	47 782 3A
60150W	60150W	45 142 21	77 522 00	47 782 3A	60150W	-	45 142 23	77 522 00	47 782 3A
60150X	60150X	45 142 21	77 522 00	47 782 3A	60150X	-	45 142 23	77 522 00	47 782 3A
60150Y	60150Y	45 142 21	77 522 00	47 782 3A	60150Y	-	45 142 23	77 522 00	47 782 3A
60150Z	60150Z	45 142 21	77 522 00	47 782 3A	60150Z	-	45 142 23	77 522 00	47 782 3A

†Basic Engine
*After Serial Number 122225103, replace with 74001523-47 782 3A.

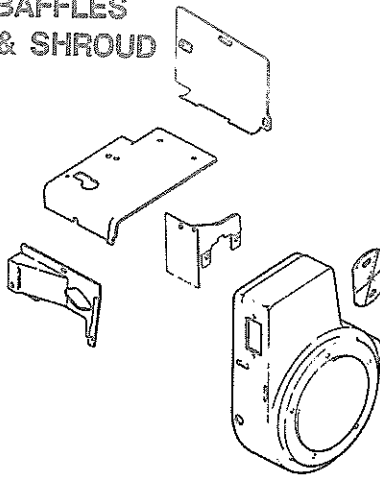
All Short Blocks include an overhaul gasket set.

COMPOSITE EXPLODED VIEW

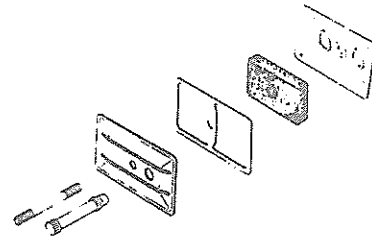
**Group 1
AIR INTAKE**



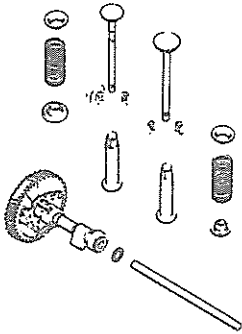
**Group 2
BAFFLES & SHROUD**



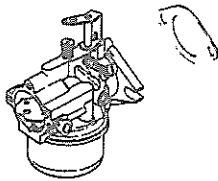
**Group 3
BREATHER & VENT**



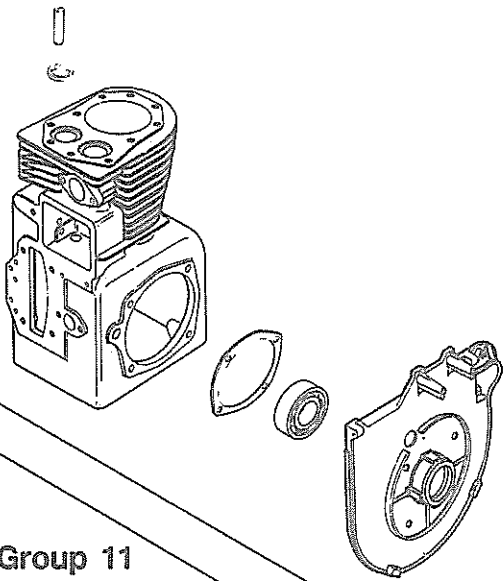
**Group 4
CAMSHAFT & VALVES**



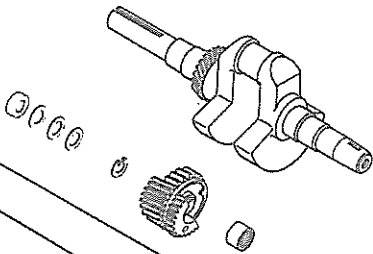
**Group 5
CARBURETOR**



**Group 7
CRANKCASE**



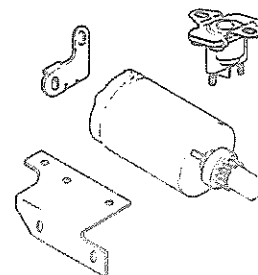
**Group 8
CRANKSHAFT**



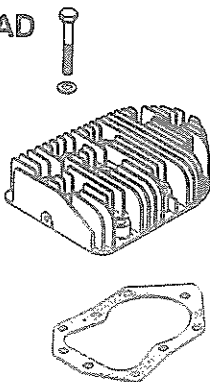
**Group 10
DIPSTICK**



**Group 11
ELECTRIC
START**

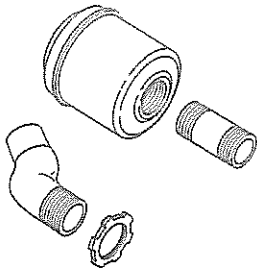


**Group 9
CYLINDER HEAD**

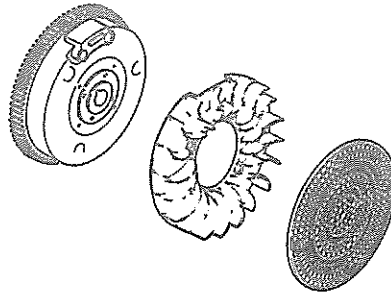


COMPOSITE EXPLODED VIEW

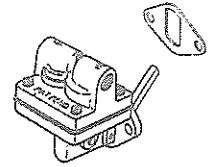
**Group 12
EXHAUST**



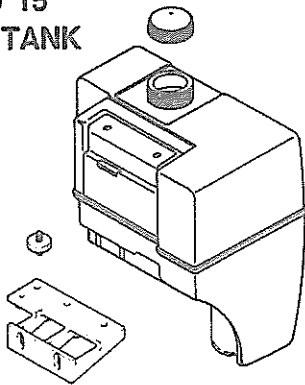
**Group 13
FLYWHEEL**



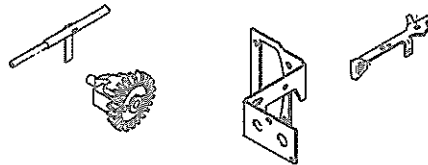
**Group 14
FUEL PUMP**



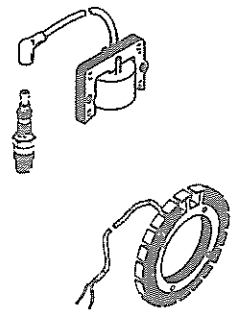
**Group 15
FUEL TANK**



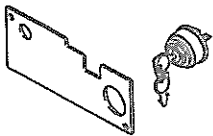
**Group 17
GOVERNOR**



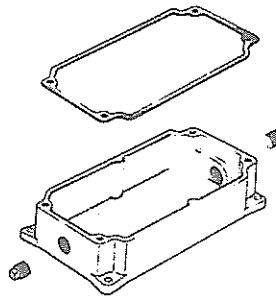
**Group 18
IGNITION**



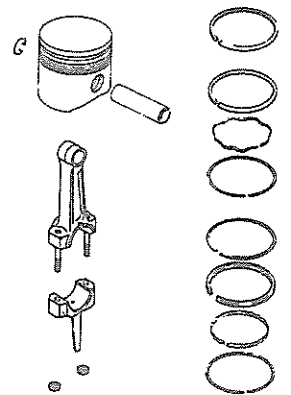
**Group 19
INSTRUMENT PANEL**



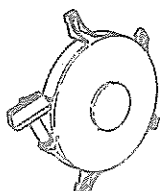
**Group 21
OIL PAN**



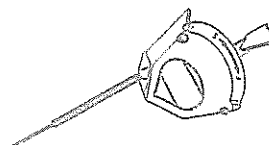
**Group 22
PISTON & ROD**



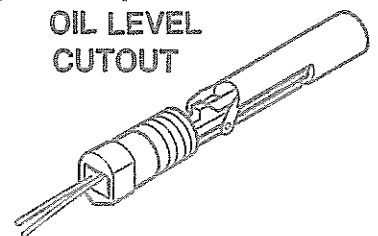
**Group 23
RETRACTABLE STARTER**



**Group 24
REMOTE THROTTLE**



**Group 32
OIL LEVEL
CUTOUT**



SPECIFICATION NUMBER INDEX

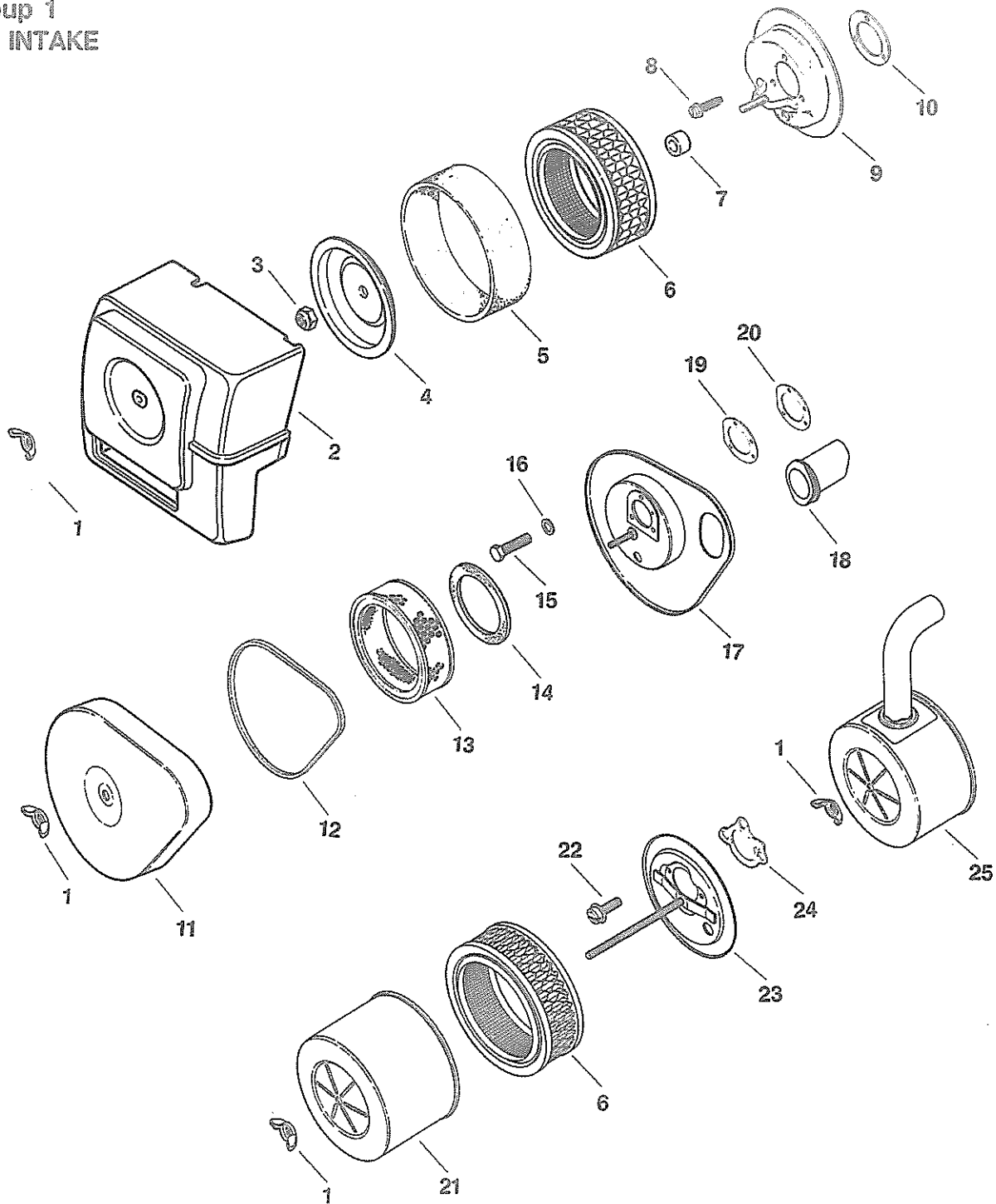
Group Title & Number	AIR INTAKE	BAFFLES & SHROUD	BREATHER & VENT	CAMSHAFT & VALVES	CARBURETOR	CRANKCASE	CRANKSHAFT	CYLINDER HEAD	DIPSTICK	ELECTRIC START	EXHAUST	FLYWHEEL	FUEL PUMP	FUEL TANK	GOVERNOR	IGNITION	INSTRUMENT PANEL	OIL PAN	PISTON & ROD	RETRACTABLE STARTER	REMOTE THROTTLE	OIL PRESS. CUTOFF			
	1	2	3	4	5	7	8	9	10	11	12	13	14	15	17	18	19	21	22	23	24	32			
Page No.	8	10	12	13	14	16	18	19	20	21	23	24	26	28	30	36	38	40	41	42	44	45			
Grid No.	A7	A9	A11	A12	A13	B1	B3	B4	B5	B6	B8	B9	B11	B13	C1	C7	C9	C11	C12	C13	D1	D2			

Spec. Variation Number
No.

601500	98	289	12	500	500	376	501	105	68		500	295	93	84	500	237	44	58	18					
601501	98	500	12	500	500	376	501	105	68		500	500	93	84	500	237	44	58	18	500				
601502	98	501	12	500	500	376	501	105	68	500	500	216	93	84	501	236	43	58	18					
601503	98	501	12	500	500	376	501	105	68	500	500	501	93	84	501	236	43	58	18	500				
601504	98	287	12	500	500	382	160	105	68		500	215	93	84	79	237	49	58	18	11				
601505	98	502	12	500	500	382	160	105	68	500	500	216	93	84	79	236	53	58	18					
601512	99	304	13	500	143	387	501	105	69	78	39	224	59		87	246		56	18					
601513	99	330	13	500	501	407	137	105	69	78	39	502	92		114	500		54	18					
601515	103	503	12	500	500	377	501	105	68	77	46	216	93	81	83	287	51	500	18					
601519	500	504	13	500	143	390	501	105	68	78	39	216	78		78	261		6	18					
601523	98	287	12	500	500	377	501	105	68		49	215	82	66	76	237	57	58	18	8				
601524	102	308	12	500	143	391	501	105	69	78	39	261	59		104	262		501	18		500	3		
601525	501	326	13	500	502	391	501	105	68	78	51	279	94		107	274		63	18					
601526	100	300	13	500	143	391	149	105	68	78	39	270	70		112	261		500	18					
601528	72	317	1	500	147	400	92	105	28	78	46	502	4		104	255		2	18					
601529	98	290	12	500	140	376	501	105	68	80	500	216	78	500	75	236	43	58	18					
601533	98	297	12	500	143	391	501	105	68	77	46	216	93	81	81	255		500	18					
601534	100	320	13	500	143	403	137	105	69	78	39	216	59		106	260		43	18					
601535	98	500	12	500	140	376	501	105	68		500	500	93	84	502	237	500	59	18	500		5		
601536	98	505	12	500	140	377	501	105	68		49	500	93	80	502	237	57	59	18	501		2		
601537	98	286	12	500	140	376	500	105	68	501	501	216	82	79	118	267	501	58	18					
601538	99	321	13	500	503	391	149	105	68	78	39	224	59		102	246		2	18					
601540	102	298	12	500	161	391	149	105	69	78	39	216	59		104	264		501	18		500	3		
601542	98	297	12	500	143	409	149	105	68	500	500	216	93	84	100	284		58	18					
601543	98	331	12	500	140	376	149	105	68		50	215	59		117	501	44	58	18	8				
601544	98	353	12	500	140	376	149	105	68	80	50	501	59		116	502	43	58	18	502				
601545	103	506	12	500	140	376	149	105	68		500	500	93	501	117	501	502	59	18	502		5		
601548	83	338	13	500	143	390	501	105	68	78	54	216	78	502	78	503		6	18					
601549	98	500	12	500	140	376	149	105	68		500	500	93	84	117	501	69	58	18	500				
601550	98	286	12	500	159	376	149	105	68	500	500	216	93	503	503	502	70	58	500					
601551	98	352	12	500	140	377	149	105	68		39	500	59		148	501	71	58	500	502				
601552	98	353	12	500	140	377	149	105	68	80	39	501	59		147	502	72	58	500	502				
601553	87	342	12	500	143	391	149	105	68	500	502	301	93	504	98	291	59	500	500					
601554	98	507	12	500	159	376	100	105	69		500	500	93	503	504	501	64	59	500	500		500		
601555	98	286	12	500	159	376	100	105	69	500	500	216	93	503	503	502	63	59	500					
601556	109	347	12	500	159	377	149	105	68	500	56	216	93	503	503	502	503	58	500					
601557	109	348	12	500	160	422	149	105	68		50	299	93	503	150	292		59	500	13		9		

M14

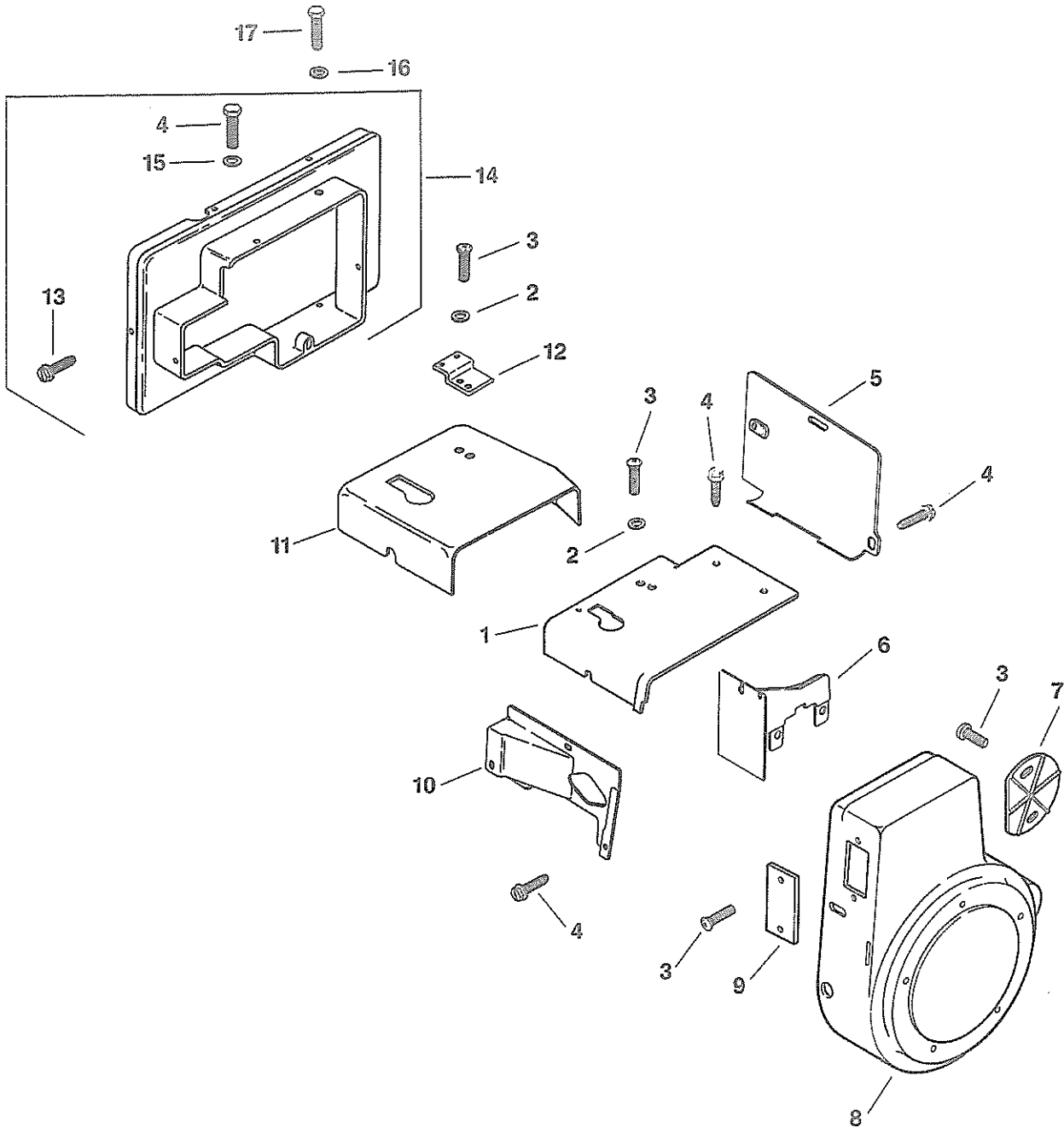
Group 1 AIR INTAKE



Index Number	Description Variation Number	Part Number	Index Number	Description Variation Number	Part Number
1	Wing nut 1/4-20" 72,83,87,98,99,100,102,103,109, 500,501	X-276-7	2	Cover, air cleaner 87	47 096 13
2	Cover, air cleaner (Replaced by 47 096 12) 98,103	47 096 08	2	Cover, air cleaner 102	47 096 10
			3	Nut, jam 1/4-20" 87,98,102,103,109	41 100 04

Index Number	Description Variation Number	Part Number	Index Number	Description Variation Number	Part Number
4	Cover, air cleaner element 87,98,102,103,109	52 082 04	16	Washer, plain 3/16" (3) (Use before serial no. 1630800013)	25 468 02
5	Precleaner, element 72,87,98,102,103,109	45 083 01	16	83,500	47 094 08
6	Element 72,87,98,102,103,109	45 083 02	17	Base, air cleaner 100	47 094 11
7	Seal 87,98,102,103,109	231032	18	Base, air cleaner 83,99,500,501	47 134 02
8	Screw, H.C. 10-32x11/32" (3) 87,98,102,103,109	X-67-65	19	Tube, air 83,99,500,501	47 041 02
9	Base, air cleaner 87,98,102,103,109	47 094 20	19	Gasket, air cleaner (Replaced by 45 041 07) 83,98,99,100,102,103,500,501	45 041 07
10	Gasket, air horn (Use before serial no. 1523600013) 98	52 041 12	19	Gasket, air cleaner 87,109	47 112 20
11	Cover, air cleaner 83,99,500,501	47 082 01	20	Spacer 83,99,100,500,501	45 082 01
11	Cover, air cleaner 100	47 082 03	21	Cover, air cleaner 72	X-167-2
12	Seal, cover 83,99,100,500,501	47 032 03	22	Screw, fl. hd. sems 16-32x3/8" (3) 72	45 094 01
13	Element 100	47 083 03	23	Base, air cleaner 72	275341
13	Element 83,99,500,501	47 083 01	24	Gasket, air horn 72	52 096 26
14	Gasket, base 109	47 041 11	25	Cover, air cleaner 109	
15	Screw, hex. hd. 10-32x5/16" (3) 83,99,100,500,501	47 086 19	NOT ILLUSTRATED		
16	Washer, plain 3/16" (3) (Use before serial no. 1630800013) 99,100	25 468 02		Decal, air cleaner 83,87,98,102,103,500	41 113 02
				Decal, air cleaner 72,99,100,109,501	25 113 07

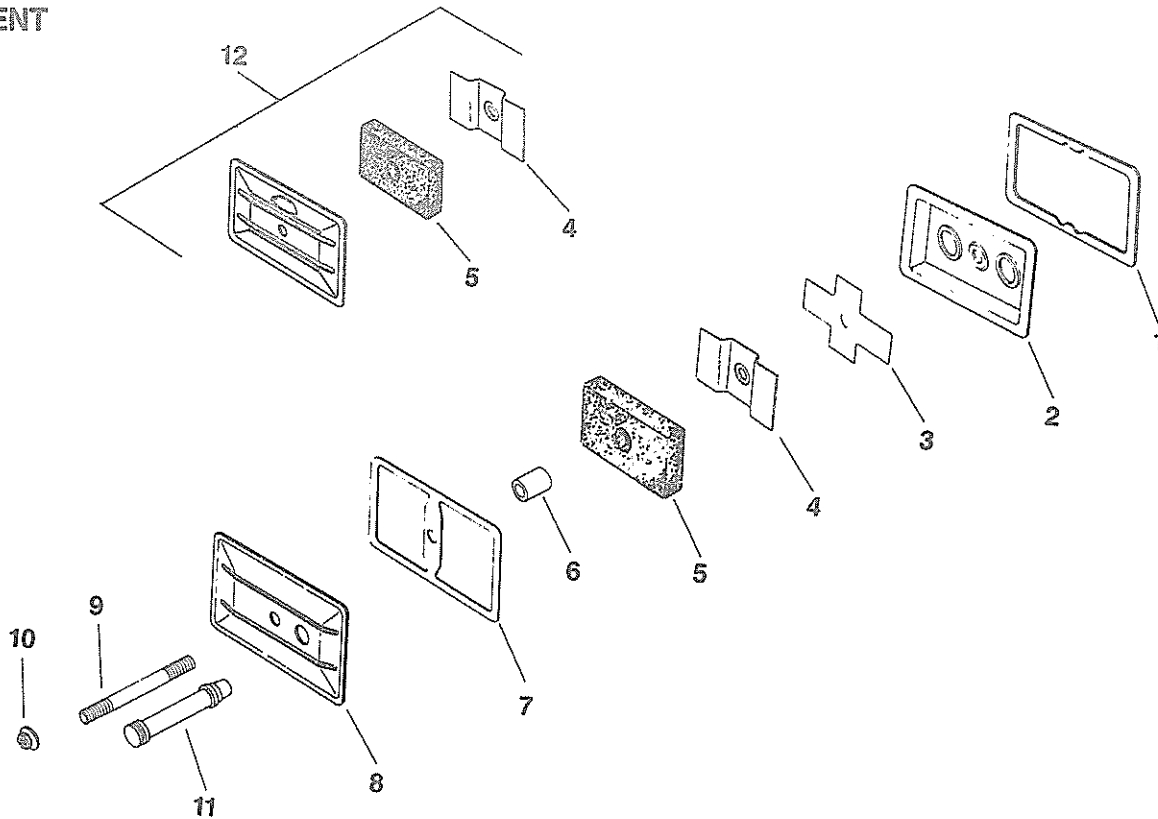
**Group 2
BAFFLES & SHROUD**



Index Number	Description Variation Number	Part Number	Index Number	Description Variation Number	Part Number
1	Baffle, head 286,287,289,297,304,330,342,347, 348,500,501,502,503,504,505,506, 507	45 063 07	3	Screw, pozidriv T.H. 1/4-20x5/8" 286,290,297,298,300,304,317,320, 321,330,338,342,347,353,501,502, 503,504	47 086 08
2	Washer, plain 1/4" 286,287,289,290,297,298,300,304, 317,320,321,326,330,331,338,342, 347,352,353,500,501,502,503,504, 505,506,507	X-25-53	3	Screw, pozidriv T.H. 1/4-20x5/8" (3) 308,326	47 086 08
			3	Screw, pozidriv T.H. 1/4-20x5/8" (5) 287,289,331,348,352,500,505,506	47 086 08

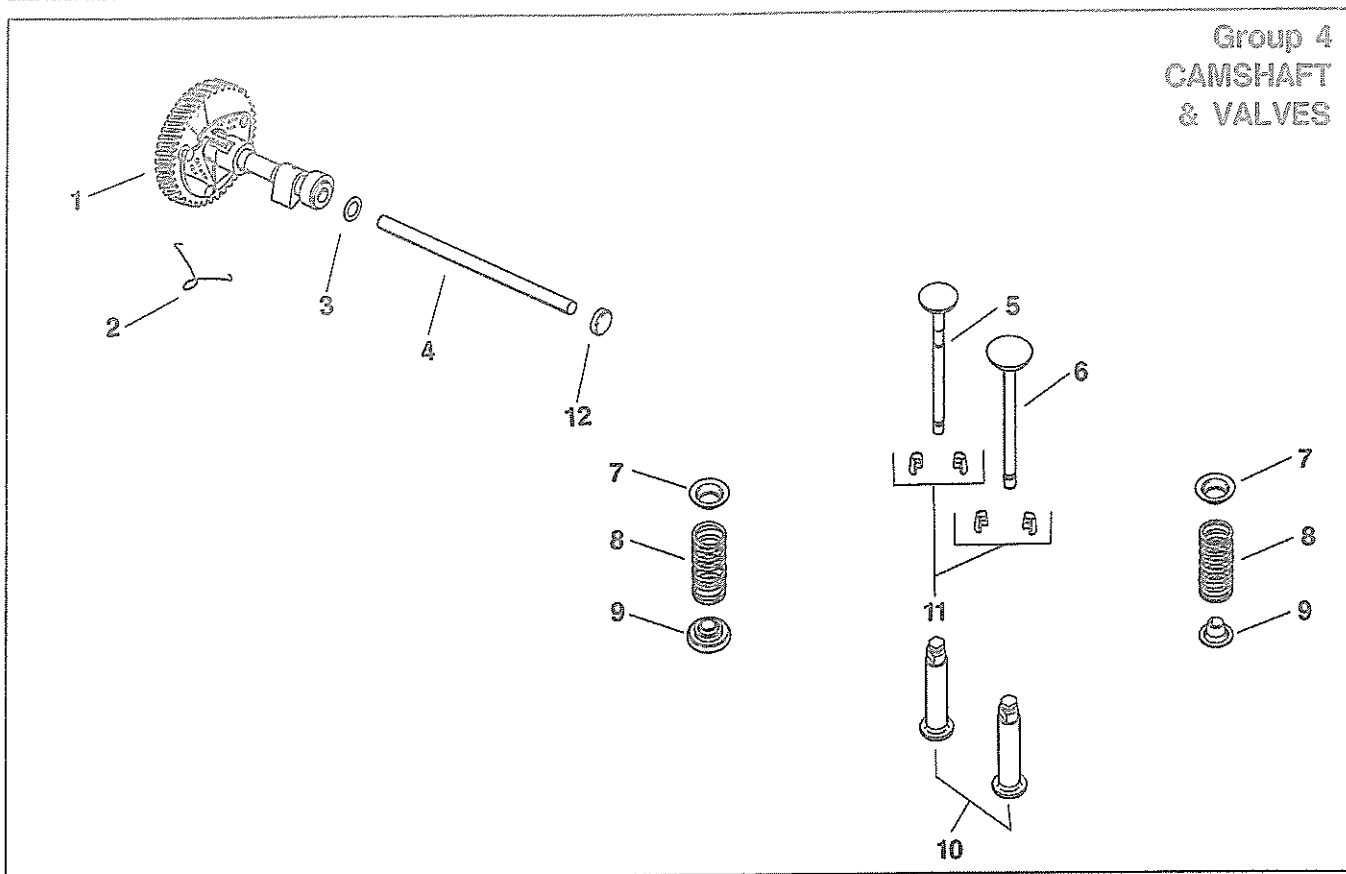
Index Number	Description Variation Number	Part Number	Index Number	Description Variation Number	Part Number
4	Screw, hex. wash hd. 1/4-20x5/8" (6) 286,287,289,290,297,298,329,308, 317,321,326,331,342,347,348,353, 352,500,501,502,503,505,506,507	52 086 11	8	Housing, blower 348	47 027 50
4	Screw, hex. wash hd. 1/4-20x5/8" (8) 300,320,304,330,338,504	52 086 11	9	Cover, rectifier-regulator 287,289,308,326,331,352,500,505, 506,507	41 096 23
5	Baffle, cylinder 286,287,289,290,297,298,300,304, 308,317,320,321,326,330,331,338, 342,347,348,352,353,500,501,502, 503,505,506,507	47 063 10	9	Cover, regulator plate 348	25 096 01
6	Baffle, inner 286,287,289,290,297,298,300,308, 317,320,321,326,331,338,342,347, 348,352,353,500,501,502,503,505, 506,507	47 063 07	10	Baffle, side air 347	47 063 12
7	Cover, starter 287,289,331,348,352,500,505	41 096 25	10	Baffle, side air 286,287,289,290,297,298,300,304, 308,320,321,326,330,331,338,348, 352,353,500,501,502,503,504,505, 506,507	47 063 06
8	Housing, blower (w/o Retractable starter holes-front) 286,289,290,347,503	47 027 37	10	Baffle, side air 317	47 063 11
8	Housing, blower (w/o Retractable starter holes-front) (Use before serial no. 1908000013) 501,502	47 027 37	11	Baffle, head 290,298,300,304,308,317,320,321, 326,330,331,338,352,353,504	45 063 08
8	Housing, blower (w/ Retractable starter holes-front) (Replaced by 47 027 44) (Use before serial no. 2027800013) 352,353,500,505,506,507	47 027 38	12	Bracket, air duct 300,304,320,330,338,504	47 126 23
8	Housing, blower (w/ Retractable starter holes-front) (Use after serial no. 1908000003, but before 2027800013) (Replaced 47 027 44) 501	47 027 38	13	Screw, hex wash. hd. 10-32x7/16" (3) (Use after serial no. 1602000003) 304,338,504	X-67-64
8	Housing, blower (Replaced by 47 027 44) 287,331	47 037 38	13	Screw, hex. wash hd. 10-32x7/16" (3) 300,320,330	X-67-64
8	Housing, blower (Use after serial no. 1908000003) (Replaced by 47 027 44) 502	47 027 38	14	Kit, air duct (Includes 4 (qty.2), 13, 15.) 300,304,504	47 755 33
8	Housing, blower (Air cleaner tube hole-left side) 304,321,326,330,338,504	47 027 40	14	Kit, air duct (Includes 4 (qty. 2), 13, 15) 320,330	47 755 32
8	Housing, blower 300,320	47 027 41	15	Washer, plain 1/2x7/32x3/64" 300,304,320,330,338,504	X-25-36
8	Housing, blower 297,298,308,317	47 027 42	16	Washer, plain 1/4" 300,304,320,330,338,504	X-25-20
8	Housing, blower 342	47 027 44	17	Screw, H.C. sems 5/16-18x1-3/8" 338	41 086 15
8	Housing, blower (Use after serial no. 2027800003) 352,500,501,505,506,507	47 027 47	17	Screw, H.C. sems 5/16-18x1-1/4" 300,304,320,330,504	X-154-4
			NOT ILLUSTRATED		
				Decal, 14HP, white (Replaced by 47 113 22) 286,287,289,290,291,297,300,304, 306,308,320,321,326,330,331,338, 352,353,500,501,502,506	47 113 08
				Decal, 14HP, white 503,504	47 113 23
				Decal, 14HP, white 505	47 113 32
				Decal, 14HP, white 342,347,348,507	47 113 22

**Group 3
BREATHER
& VENT**



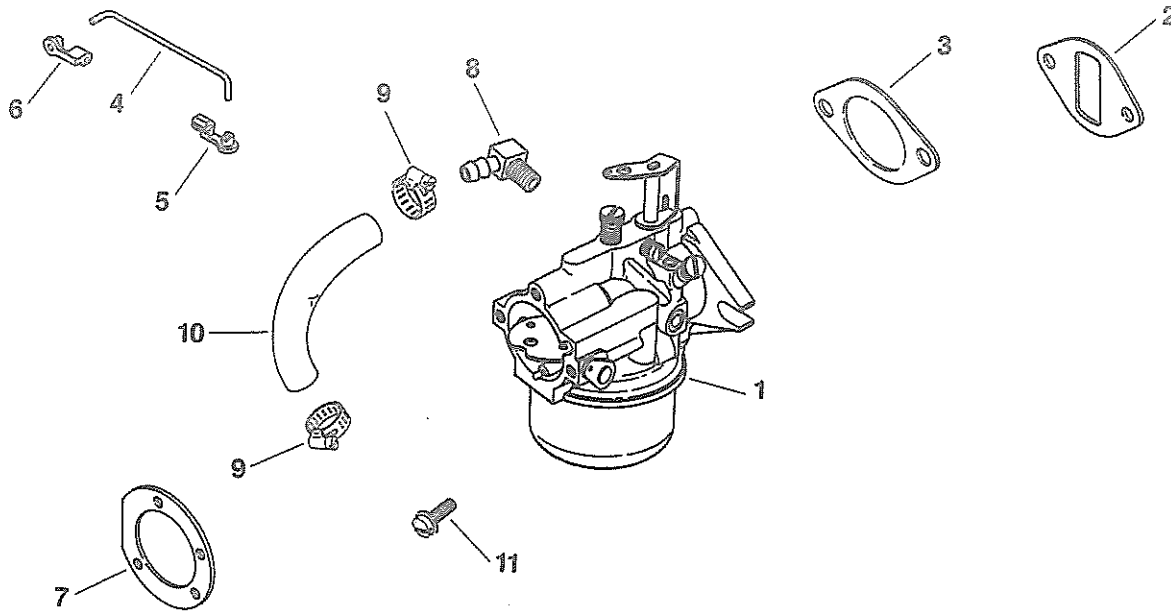
Index Number	Description Variation Number	Part Number	Index Number	Description Variation Number	Part Number
1	Gasket, breather plate 1,12,13	235048	7	Gasket, valve cover 1,12,13	275144
2	Plate, breather 1,12,13	235631	8	Cover, valve 1,12,13	47 096 01
3	Reed, breather 1,12,13	235047	9	Stud 1/4-20x3-1/4" 1,12,13	275220
4	Baffle, breather 12,13	270146	10	Palmnut 1/4-20 1,12,13	X-799-1
4	Baffle, breather 1	235117	11	Hose, breather 3-11/32" 12	47 326 03
5	Filter, breather 1	235118	11	Hose, breather 3-29/32" 13	47 326 04
5	Filter, breather 12,13	47 050 01	12	Kit, valve cover (Includes 4,5) 1	A-235418-S
6	Seal, breather 1,12,13	231032			

Group 4
CAMSHAFT
& VALVES



Index Number	Description Variation Number	Part Number	Index Number	Description Variation Number	Part Number
1	Camshaft assembly (Includes 2) 500	47 010 11	7	Retainer, upper spring (2) 500	235011
2	Spring, actuating 500	47 089 01	8	Spring, valve (2) 500	235168
3	Spacer .005 (A.R.) 500	275066	9	Rotator (2) (Replaced by 52 413 01) 500	230020
3	Spacer .010 (A.R.) 500	275067	10	Tappet (2) 500	D-235327
4	Pin, camshaft 500	47 380 09	11	Kit, retainer (2) 500	41 755 10
5	Valve, exhaust 500	237672	12	Plug, cup 1/2" O.D. 500	X-702-3
6	Valve, intake 500	235582			

**Group 5
CARBURETOR**



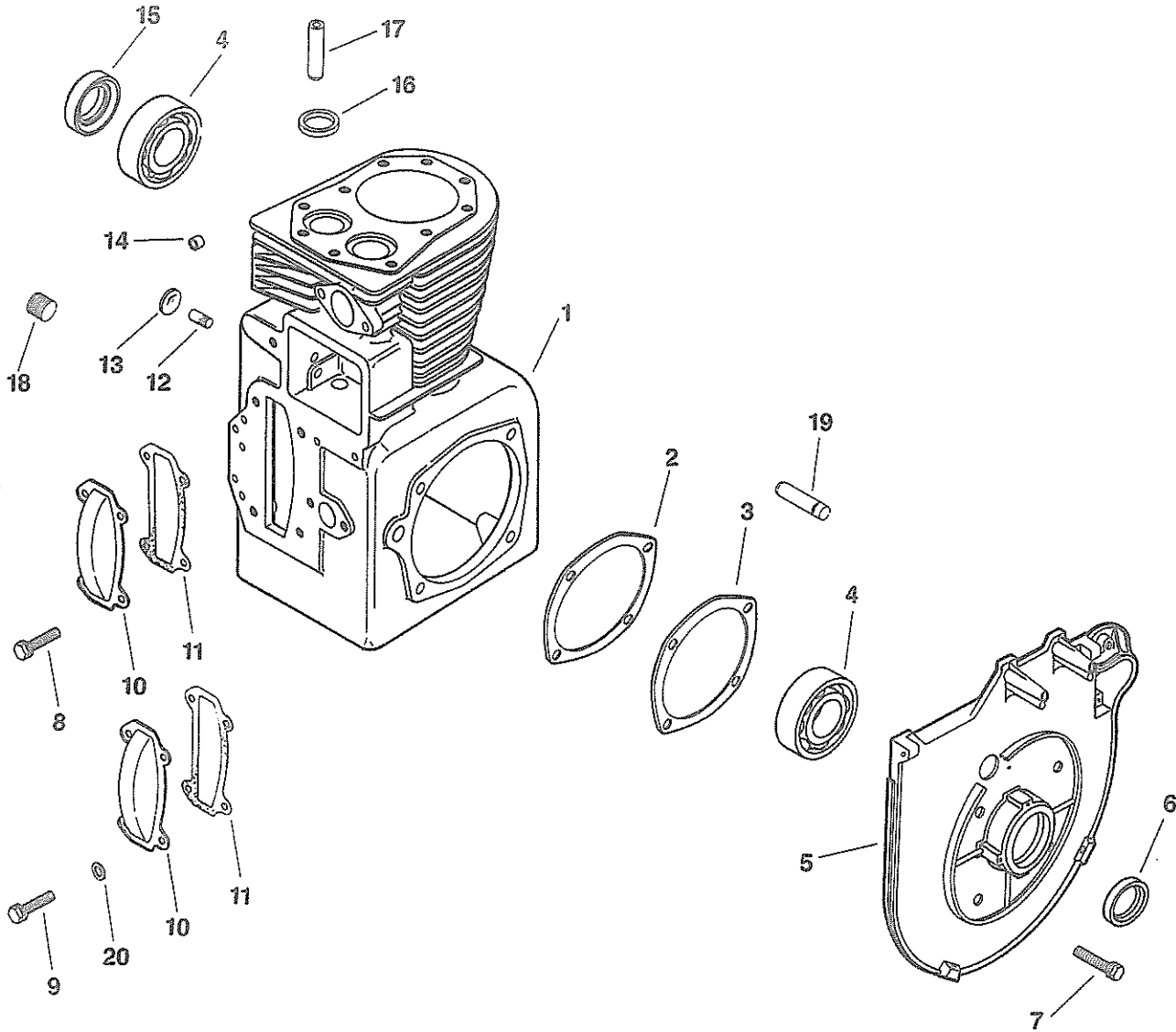
Index Number	Description Variation Number	Part Number	Index Number	Description Variation Number	Part Number
Refer to Section 3 of Carburetor Reference Manual TP-2377-C, located in Miscellaneous Special Service Parts Information section of your Master Manual, for breakdown of the following carburetor assemblies:			1	Carburetor assembly 503	
	Before serial no. 1812600013 use:			Adjustable jet assembly	47 053 41
	After serial no. 1812600003 use:			Kit, fixed jet carburetor w/ gaskets (Includes 3,7 Carburetor assembly 47 053 75*)	47 853 11
	- or use -			Kit, adjustable jet carburetor w/ linkage (Includes 2-7, Carburetor assembly 47 053 96*)	47 853 29
	Kit, adjustable jet carburetor w/ gaskets (Includes 3,7 Carburetor assembly 47 053 06* or 77 053 06*)	47 853 33	1	Kit, adjustable jet carburetor w/ linkage (Includes 2-7, Carburetor assembly 47 053 96*)	47 853 29
1	Carburetor assembly 143,147,161,502		1	Kit, adjustable jet carburetor w/ gaskets (Includes 3,7, Carburetor assembly 77 053 06 or 77 053 01*)	47 853 33
	Before serial no. 1734500013 use:			Adjustable jet assembly	47 053 63
	After serial no. 1734500003 use:			Kit, fixed jet carburetor w/ linkage (Includes 2-7, Carburetor assembly 4705364*)	47 853 08
	- or use -			Kit, adjustable jet carburetor w/ linkage (Includes 2-7, Carburetor assembly 47 053 96*)	47 853 29
	Kit, adjustable jet carburetor w/ linkage (Includes 2-7, Carburetor assembly 47 053 96*)	47 853 29	1	Kit, fixed jet carburetor w/ linkage (Includes 2-7, Carburetor assembly 47 053 64*)	47 853 08
	- or use -			Kit, adjustable jet carburetor w/ linkage (Includes 2-7, Carburetor assembly 47 053 96*)	47 853 29
	Kit, adjustable jet carburetor w/ linkage (Includes 2-7, Carburetor assembly 47 053 96*)	47 853 29		501	

Index Number	Description Variation Number	Part Number	Index Number	Description Variation Number	Part Number
2	Gasket, carburetor 143,147,160,161,501,502,503	271030	9	Clamp, hose (2) 140,143,147,159,160,161,500,501, 502,503	X-426-9
3	Gasket, carburetor 140,143,147,159,160,161,500,501, 502,503	47 049 01	10	Hose, fuel 140,143,147,159,160,161,500,501, 502,503	25 353 08
4	Linkage, carburetor 143,147,160,161,501,502,503	47 079 10	11	Screw, sltd. hd. 5/16-18x1" (2) 140,143,147,159,160,161,500,501, 502,503	X-770-1
5	Bushing 143,147,160,161,501,502,503	47 158 07			
6	Bushing 143,147,160,161,501,502,503	25 158 09			
7	Gasket, air cleaner 140,143,147,159,160,161,500,501, 502,503	45 041 07			
8	Connector, 90° hose 140,143,147,159,160,161,500,501, 502,503	25 155 02			

*NOTE: *Carburetors are for information only,
not available separately.

M14

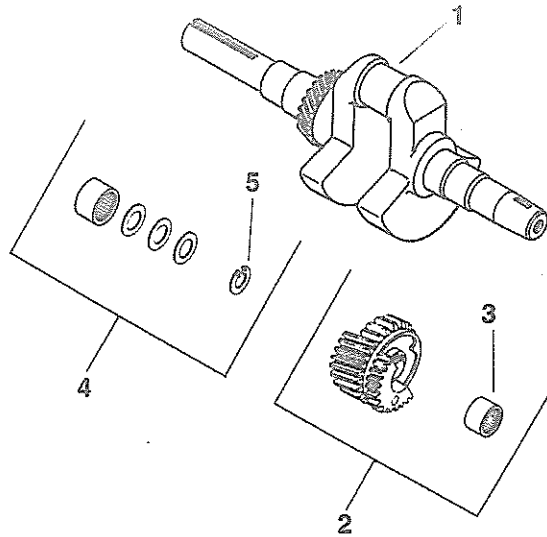
Group 7 CRANKCASE



Index Number	Description Variation Number	Part Number	Index Number	Description Variation Number	Part Number
1	Cylinder Block (Service with a SHORT BLOCK or MINIBLOCK. Refer to M14 Selection Guide TP-2251-B.)		3	Gasket, bearing plate 376,377,382,387,390,391,400,403, 407,409,422	47 041 09
2	Gasket, shim (A.R.) 376,377,382,387,390,391,400,403, 407,409,422	47 422 05	4	Bearing, ball (2) 376,377,382,387,390,391,400,403, 407,409,422	235376

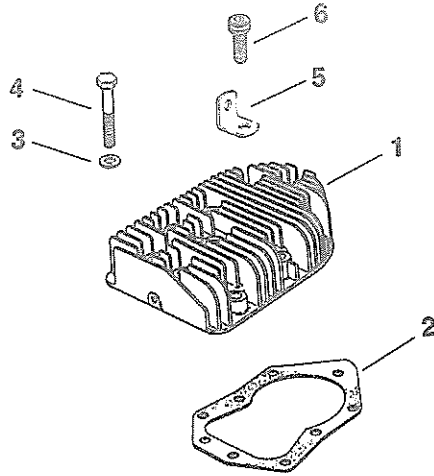
Index Number	Description Variation Number	Part Number	Index Number	Description Variation Number	Part Number
5	Plate, bearing 376,377,382,387,390,391,400,403, 407,409,422	47 146 11	12	Shaft, governor gear 376,377,382,387,390,391,400,403, 407,409,422	235125-S
6	Seal, front oil 376,377,382,387,390,391,400,403, 407,409,422	47 032 06	13	Plug, expansion 376,377,382,387,390,391,400,403, 407,409,422	X-230-11
7	Screw, H.C. sems 3/8-16x1" (4) 376,377,382,387,390,391,400,403, 407,409,422	X-159-2	14	Bearing, governor cross shaft 376,377,382,387,390,391,400,403, 407,409,422	234866
8	Screw, H.C. sems 1/4-20x5/8" 422	X-132-5	15	Seal, rear oil 376,377,382,387,390,391,400,403, 407,409,422	47 032 07
8	Screw, H.C. sems 1/4-20x5/8" (4) 376,377,382	X-132-5	16	Insert, valve (2) 376,377,382,387,390,391,400,403, 407,409,422	230265
9	Screw, H.C. sems 1/4-20-1/2" (3) 422	X-132-6	17	Guide, valve (2) 376,377,382,387,390,391,400,403, 407,409,422	235007-S
9	Screw, H.C. sems 1/4-20-1/2" (4) 387,390,391,400,403,407,409	X-132-6	18	Plug, flush 400	47 139 01
10	Cover, camshaft 376,377,382,387,390,391,400,403, 407,409,422	235026	19	Shaft, balance gear (2) 376,377,382,387,390,391,400,403, 407,409,422	236559
11	Gasket, camshaft cover 376,377,382,387,390,391,400,403, 407,409,422	235025	20	Washer, plain 17/69x1/2x1/16" 422	X-25-63

Group 8
CRANKSHAFT



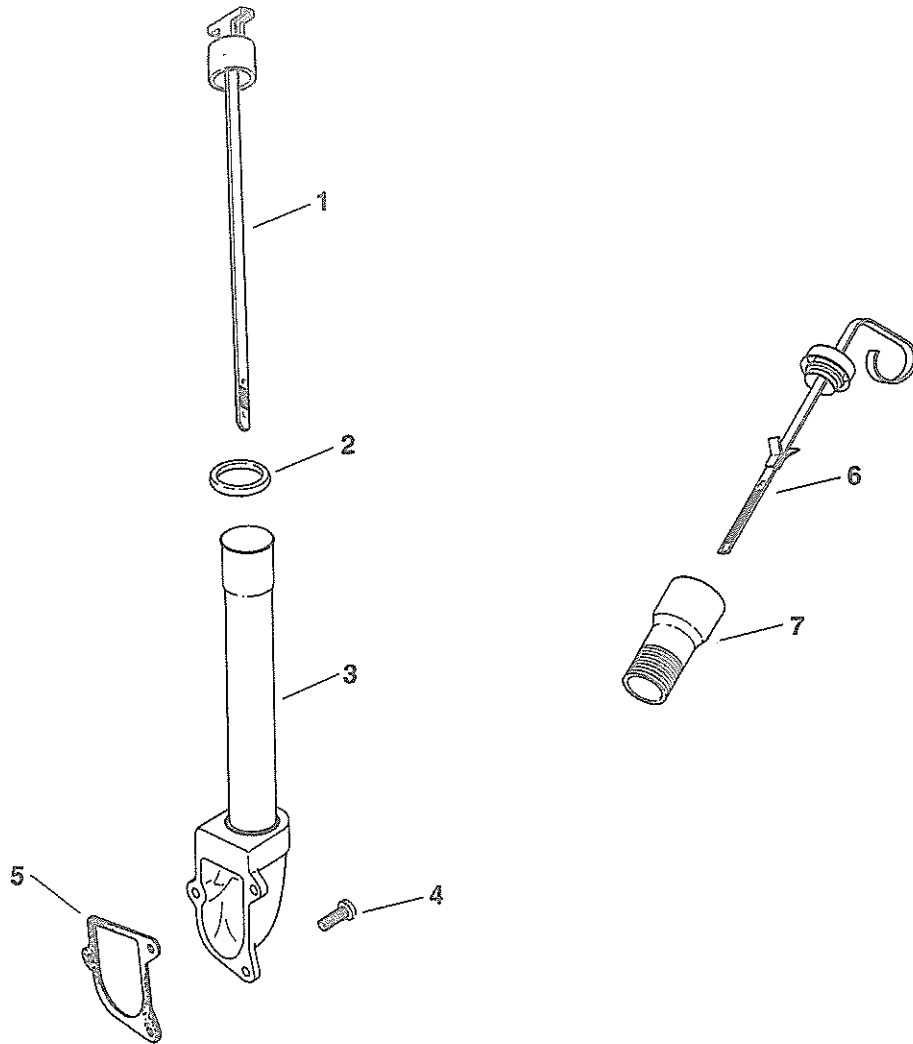
Index Number	Description Variation Number	Part Number	Index Number	Description Variation Number	Part Number
1	Kit, crankshaft (1-1/8" dia. x 3-5/64" Standard Basic) (Replaced by 45 142 21) 501	45 142 02*	1	Kit, crankshaft (1-1/4" dia. step - 1" dia. sep x 4-29/32") 100	47 142 44*
1	Kit, crankshaft (1-3/8" dia. x 4-1/8") (Replaced by 45 142 32) 160	45 142 13*	1	Gear assembly (2) (Includes 47 030 01) 92,100,137,149,160,500,501	45 043 03
1	Kit, crankshaft (1" dia. x 3-1/4") 137	45 142 26*	3	Bearing, needle (2) 92,100,137,149,160,500,501	47 030 01
1	Kit, crankshaft (1-1/2" dia. x 1-61/64") (Replaced by 45 142 19) 92	47 142 40*	4	Kit, spacer (Includes X-269-34) 92,100,137,149,160,500,501	47 755 01
1	Kit, crankshaft (1" dia. x 2-57/64") 500	45 142 33*	5	Retainer (2) 92,100,137,149,160,500,501	X-269-34
1	Kit, crankshaft (1-1/8" dia. x 3-49/64") 149	45 142 21*	*Note: Crankshaft contains internal fastening threads. Kits include flywheel fastening hardware (a woodruff key, washer, screw, and drive cup bushing). See Flywheel Group 13 for part numbers. Crankshaft dimensions listed are for PTO end outside the cylinder block.		

Group 9
CYLINDER HEAD



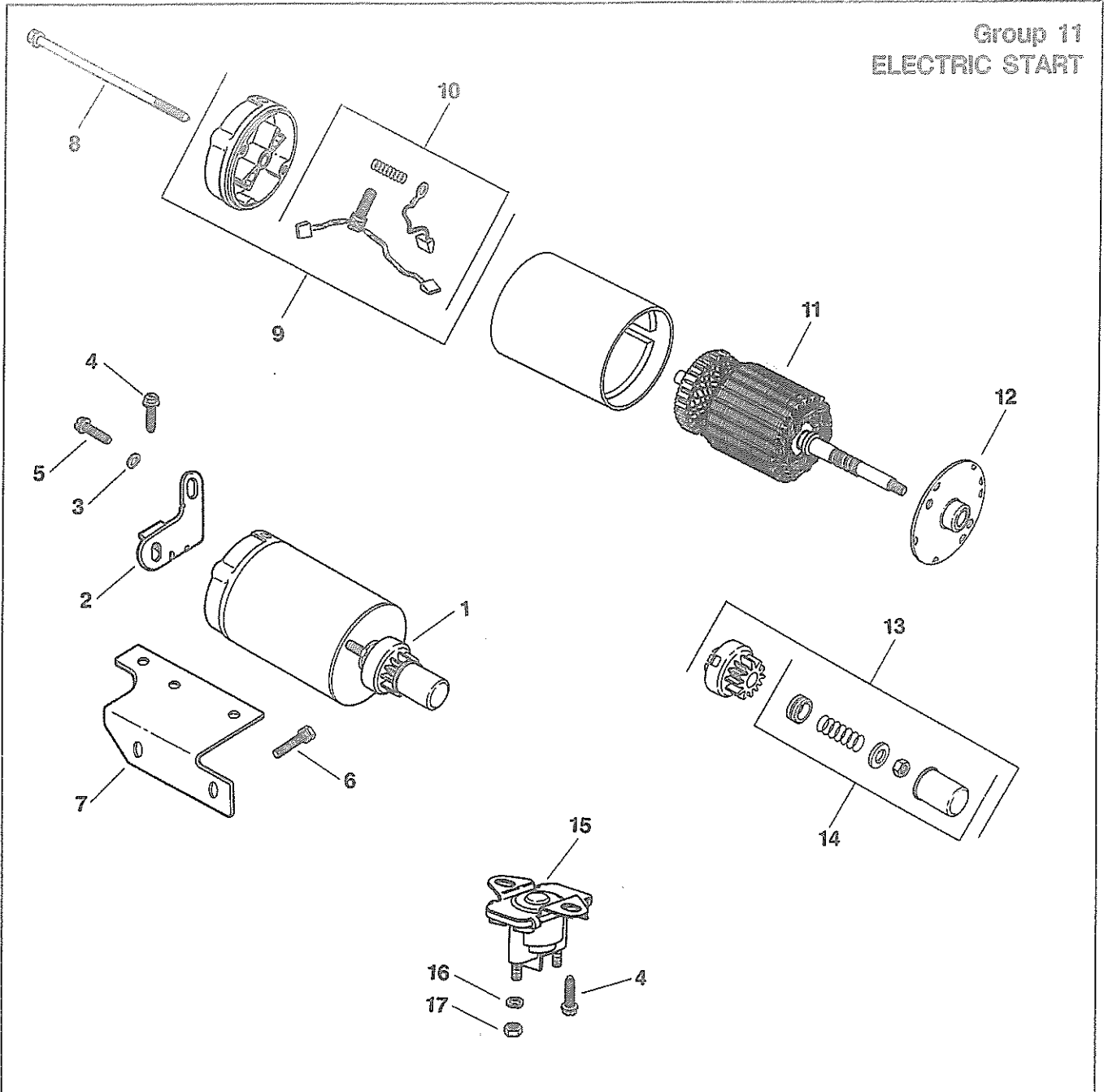
Index Number	Description Variation Number	Part Number	Index Number	Description Variation Number	Part Number
1	Head, cylinder 105	47 015 06	4	Screw, H.C. 3/8-16x1-1/2" (8) 105	270158
2	Gasket, head (Replaced by 47 014 15) 105	47 041 10	5	Strap, lifting 105	47 445 02
3	Washer, plain 3/8" (9) 105	270889	6	Screw, hex. hd. 3/8-16x1" 105	47 086 17

Group 10
DIPSTICK



Index Number	Description Variation Number	Part Number	Index Number	Description Variation Number	Part Number
1	Dipstick 15-5/8" blade 68	47 038 26	4	Screw, F.H. sems 10-24x1/2" (3) 68,69	X-131-2
1	Dipstick 15-3/8" blade 69	47 038 27	5	Gasket, adaptor 68,69	237064
2	O-Ring 51/64" I.D. 68,69	41 153 01	6	Dipstick 4-3/4" blade 28	237013
3	Adaptor assembly, oil fill 68,69	47 029 06	7	Tube, oil fill 28	47 123 08

Group 11
ELECTRIC START



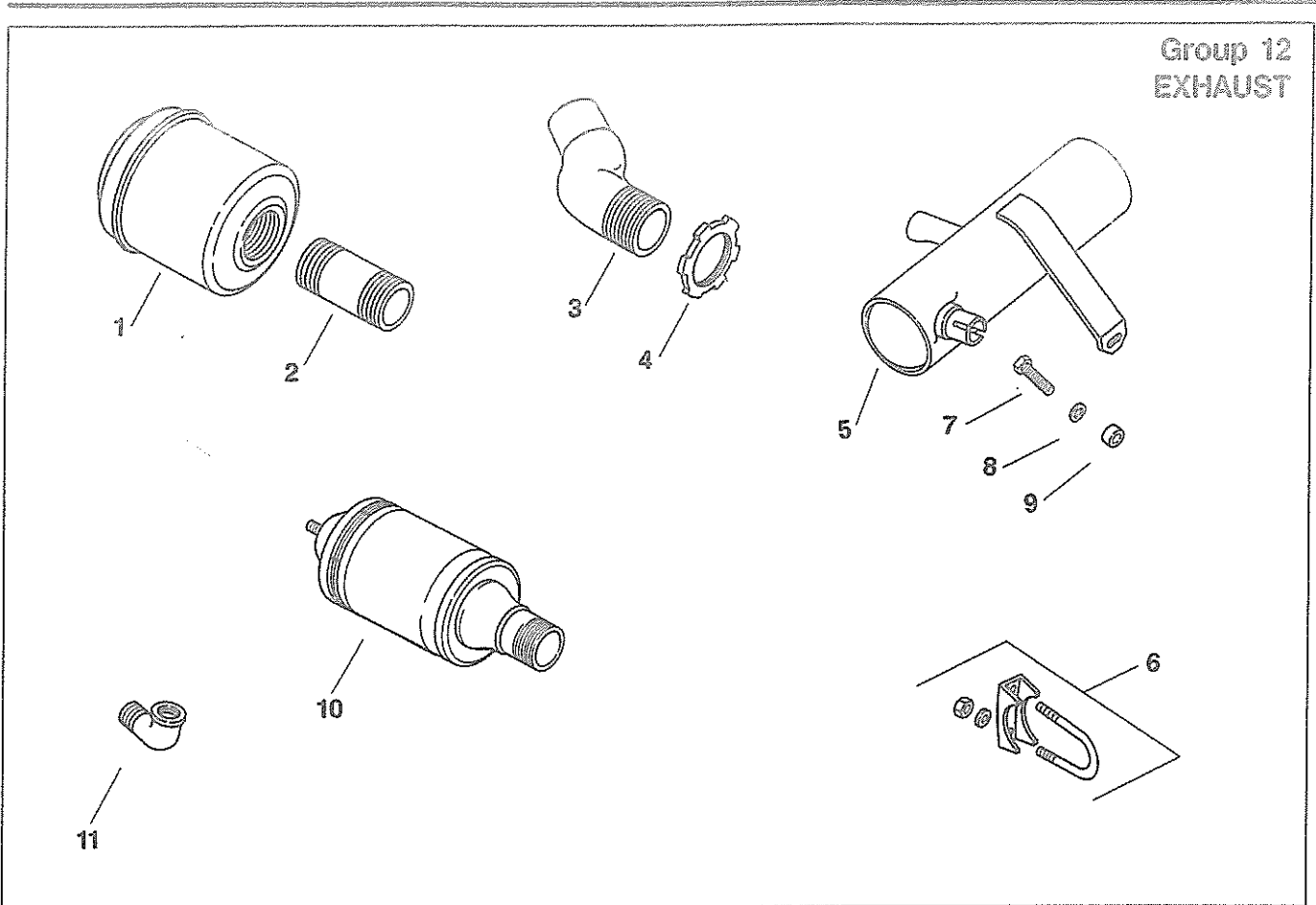
Index Number	Description Variation Number	Part Number	Index Number	Description Variation Number	Part Number
1	Starter assembly (Includes 8-14) 77,78,80,500,501	41 098 04	5	Screw, hex. wash. hd. 1/4-20x3/4" (2) 77,500,501	X-67-62
2	Brace, tail 77,78,80,500,501	45 126 17	5	Screw, hex. wash. hd. 1/4-20x3/4" 78,80	X-67-62
3	Washer, plain 1/4" 77,78,80,500,501	X-25-78*	6	Screw, H.C. sems 3/8-16x1" (2) 78,80	X-159-2
4	Screw, hex. wash. hd. 1/4-20x3/8" 78	X-67-83	7	Bracket, solenoid 78,80	47 126 29
4	Screw, hex. wash. hd. 1/4-20x3/8" (3) 80	X-67-83	8	Bolt, thru 1/4-20x5-1/16" (2) 77,78,80,500,501	41 086 19
4	Screw, hex. wash. hd 1/4-20x3/8" (2) 500	X-67-83	9	Cap, commutator end assembly (Includes 10) 77,78,80,500,501	41 227 04

**ELECTRIC START
(Cont'd)**

M14

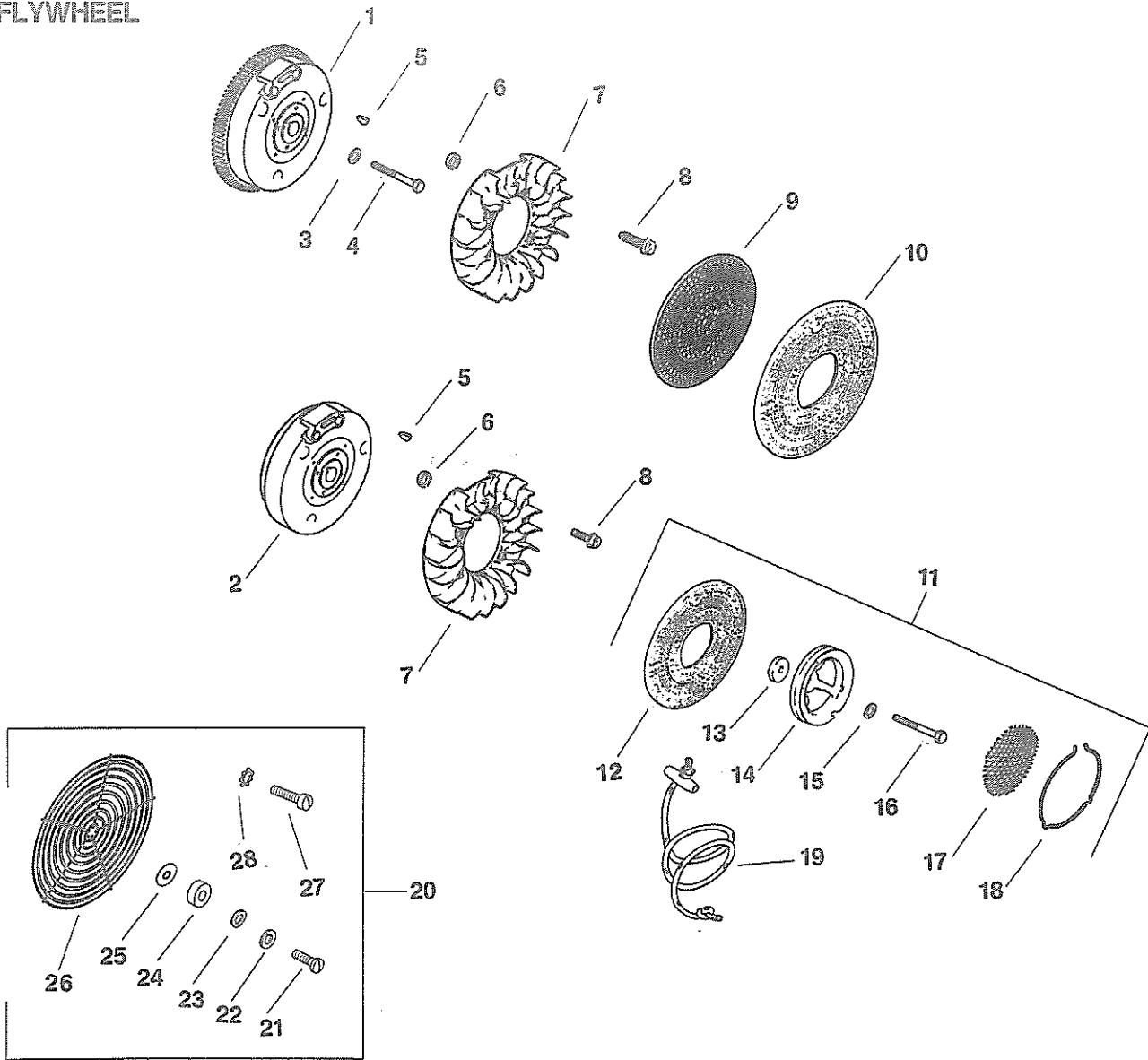
Index Number	Description Variation Number	Part Number	Index Number	Description Variation Number	Part Number
10	Kit, brush 77,78,80,500,501	52 755 15	16	Washer, lock (2) 80,500	X-20-1
11	Armature 77,78,80,500,501	45 170 02	17	Nut (2) 80,500	X-81-1
12	Cap, drive end 77,78,80,500,501	41 227 03	NOT ILLUSTRATED		
13	Kit, drive (Includes 14) 77,78,80,500,501	47 755 07	Lead, red, solenoid ground (3" - 18 Gauge - insulated grip barrel eyelet, insulated push-on female 1/4" terminals) (Use after serial no. 1718000003, but before 1811000013)		
14	Kit, drive parts 77,78,80,500,501	47 755 13	80,500 25 518 20		
15	Solenoid (Use before serial no. 1718000013 and after serial no. 1811000003) (Replaced by 25 435 01) 80,500	52 435 01	Lead, black, starter to solenoid (6" - 6 gauge - insulated barrel eyelet terminals) 80,500 52 518 03		
15	Solenoid (Replaced by 25 435 01) 501	52 435 01	Tag, caution 77,78,80,500,501 25 450 03		
15	Solenoid (Use after serial no. 1718000003, but before 1811000013) 80,500	45 535 07	Lubricant, starter 77,78,80,500,501 52 357 01		

Group 12
EXHAUST



Index Number	Description Variation Number	Part Number	Index Number	Description Variation Number	Part Number
1	Muffler 49,500,501,502,	275679	7	Screw, sems H.C. 5/16-18x1-3/8" (Use before serial no. 1904100013)	
2	Nipple 6" 49,500	25 136 05	54		41 086 15
2	Nipple (Use before serial no. 2023600013)		8	Washer, plain 3/4x5/16x1/16"	X-25-20
	502	275679	8	Washer, plain 3/4x5/16x1/16" (Use before serial no. 1904100013)	
3	Elbow, exhaust 39,50,54	47 054 01	54		X-25-20
4	Nut, lock 39,50,51,54,56,501	AC-1536	9	Spacer 5/8x13/32x23/32"	X-400-71
5	Muffler 50,54	47 068 15	50		
6	Clamp 50,54	237548	9	Spacer 5/8x13/32x23/32" (Use before serial no. 1904100013)	X-400-71
7	Screw, sems H.C. 5/16-18x1-3/8" 50	41 086 15	10	Muffler, spark arrestor 56	47 068 10
			11	Elbow 51,56	151385

Group 13
FLYWHEEL



Index Number	Description Variation Number	Part Number	Index Number	Description Variation Number	Part Number
1	Flywheel 216,224,270,301,502	47 025 53	4	Screw, hex. mach. 3/8-24x2-1/8" 215,216,224,261,270,279,299,301, 500,501,502	25 086 24
1	Flywheel 501	47 025 58	5	Key, woodruff 3/16x1" 215,216,224,261,270,279,295,299, 301,500,501,502	X-46-3
2	Flywheel 215,295,299,500	47 025 56	6	Spacer 17/64" I.D. (4) 216,224,261,270,279,295,299,301, 500,501,502	25 112 04
2	Flywheel 279	47 025 54	7	Fan 215,216,224,261,270,279,295,299, 301,500,501,502	25 157 01
2	Flywheel 261	47 025 60			
3	Washer, plain 215,216,224,261,270,279,299,301, 500,501,502	52 463 15			

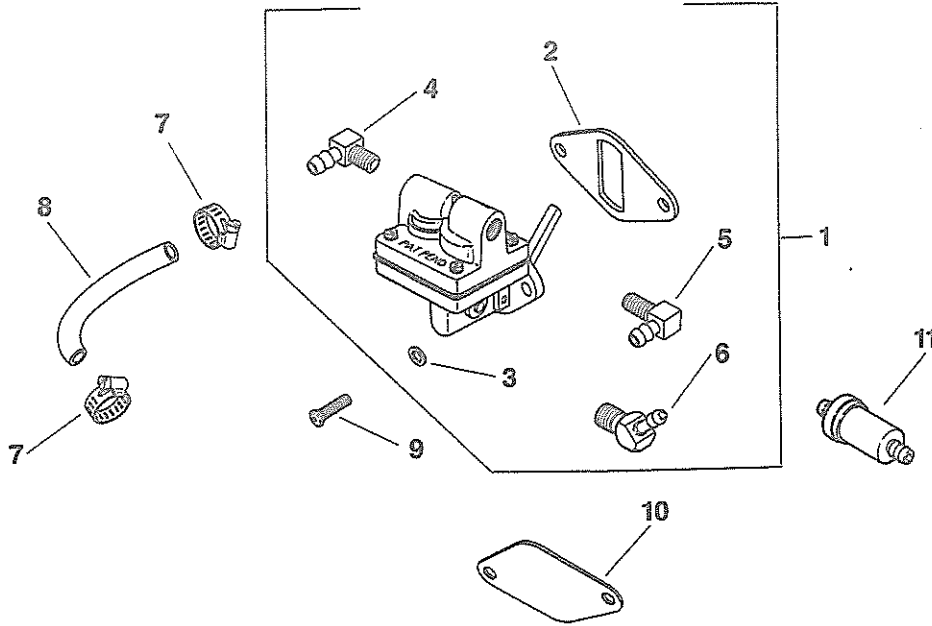
Index Number	Description Variation Number	Part Number	Index Number	Description Variation Number	Part Number
8	Screw, hex. wash. hd. 1/4-20x5/8" (4) 215,216,224,261,270,279,295,299, 301,500,501,502	25 086 21	19	Rope 295	A-230099
9	Screen, grass 216,261,301	25 162 01	20	Kit, fixed grass screen (Includes 21-28) 301	47 755 37
10	Screen, grass 3-5/16" hole (Replaced by 25 162 02) (Use before serial no. 2027800013) 500,501	47 162 32	21	Screw, R.H.M. 10-24x7/8" (5) 301	X-50-12 ^e
11	Kit, rope start pulley (Includes 12-19, decal 25 113 06) 295	47 755 29	22	Washer, lock #10 (5) 301	X-19-1 ^e
12	Screen, grass (Use after serial no. 2027800003) 500,501	25 162 04	23	Washer, flat (5) 301	25 468 03
12	Screen, grass 299	25 162 04	24	Spacer (5) 301	25 112 08
12	Screen, grass 279	25 162 03	25	Diaphragm (5) 301	220074
12	Screen, grass 270	25 162 02	26	Guard, grass screen 301	47 314 01
12	Screen, grass 215,270,295,502	25 162 02	27	Screw, sltd. F.H. (5) 301	25 086 36*
13	Spacer 295	47 112 18	28	Washer, E.T. #10 (5) 301	X-22-22*
14	Pulley 295	47 093 01	29	Screw, R.H.M. (5) 301	X-50-7
15	Washer, plain 13/32" I.D. 295	52 114 01	30	Nut, elastic stop 10-24" (5) 301	X-101-9
16	Screw, hex. mach. 3/8-24x3/4" 295	25 086 25		NOT ILLUSTRATED	
17	Screen 295	230098		Decal, pulley 295	25 113 06
18	Retainer 295	230363			

^eNote: To install guard to blower housings equipped with weld nuts.

*Note: To install guard to blower housings "not" equipped with weld nuts.

M14

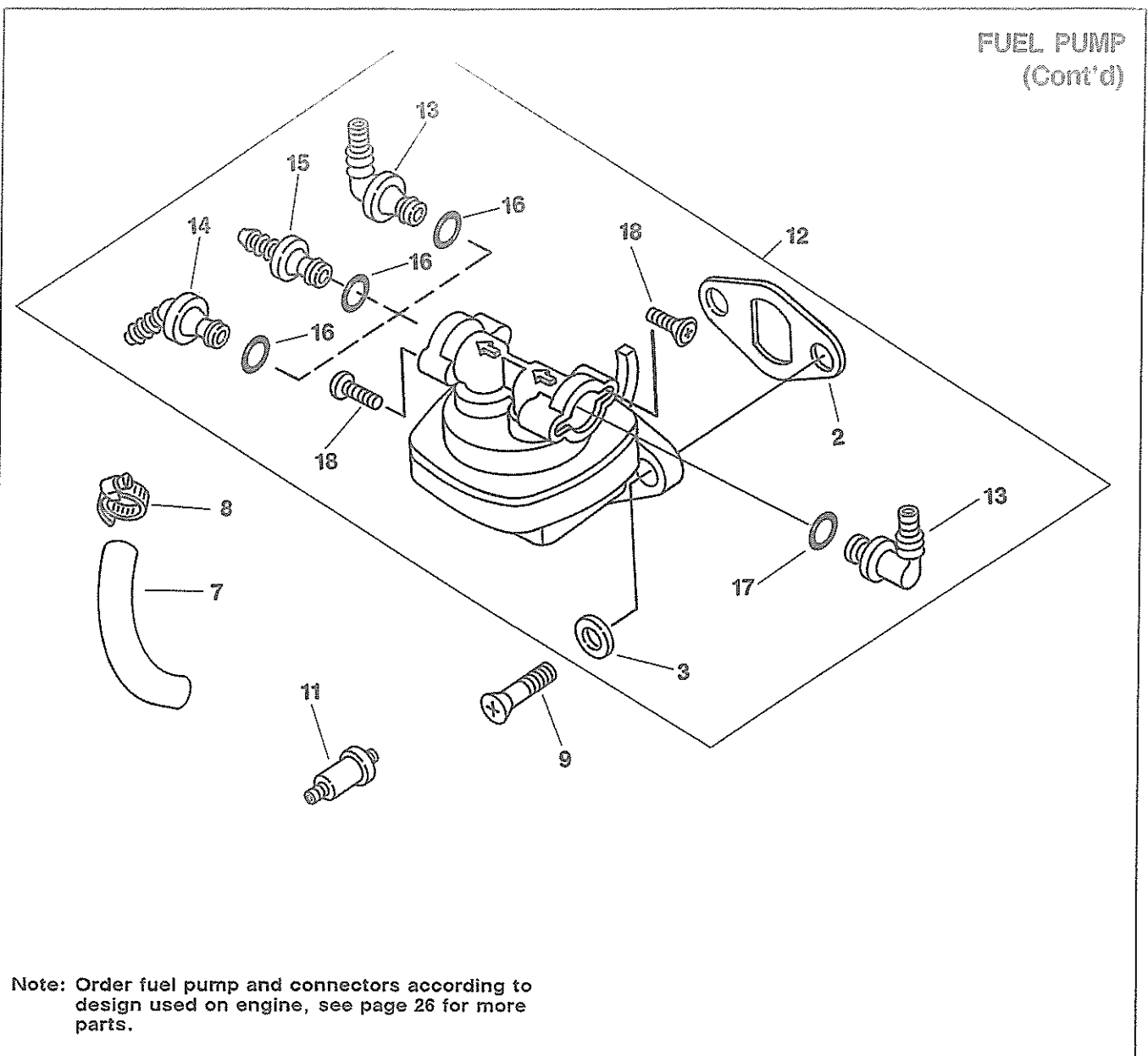
Group 14
FUEL PUMP



Note: Order fuel pump and connectors according to design used on engine, see page 27 for more parts.

Index Number	Description Variation Number	Part Number	Index Number	Description Variation Number	Part Number
1	Pump, fuel assembly (Includes 2,3,4,9,10) 59,70,78,82,92,93,94	47 559 04	6	Connector, 45° hose inlet (For 1/4" I.D. rubber hose) 59,70,78,82,92,93,94	47 155 12
2	Gasket, fuel pump (Use on metal body fuel pump applications) 4,59,70,78,82,92,93,94	25 041 05	7	Clamp, hose (4) 94	X-426-9
2	Gasket, fuel pump (Use on non-metal body pump applications only) 4,59,70,78,82,92,93,94	25 041 09	8	Line, fuel 3" 94	25 353 02
3	Washer, plain 1/4" (2) 59,70,78,82,92,93,94	X-25-63	9	Screw, F.H.M. 1/4-20x3/4" (2) 4,59,70,78,82,92,93,94	X-174-2
4	Connector, 90° hose inlet (For 3/16" I.D. rubber hose) 59,70,78,82,92,93,94	X-391-11	10	Cover, fuel pump 4	240282
5	Connector, 90° hose outlet (2) (For 1/4" I.D. rubber hose) 59,70,78,82,92,93,94	25 155 02	11	Filter, fuel (Replaced by 41 050 03) (Replaced by 25 050 02) 78	41 050 02
			11	Filter, fuel 94	25 050 02

FUEL PUMP
(Cont'd)

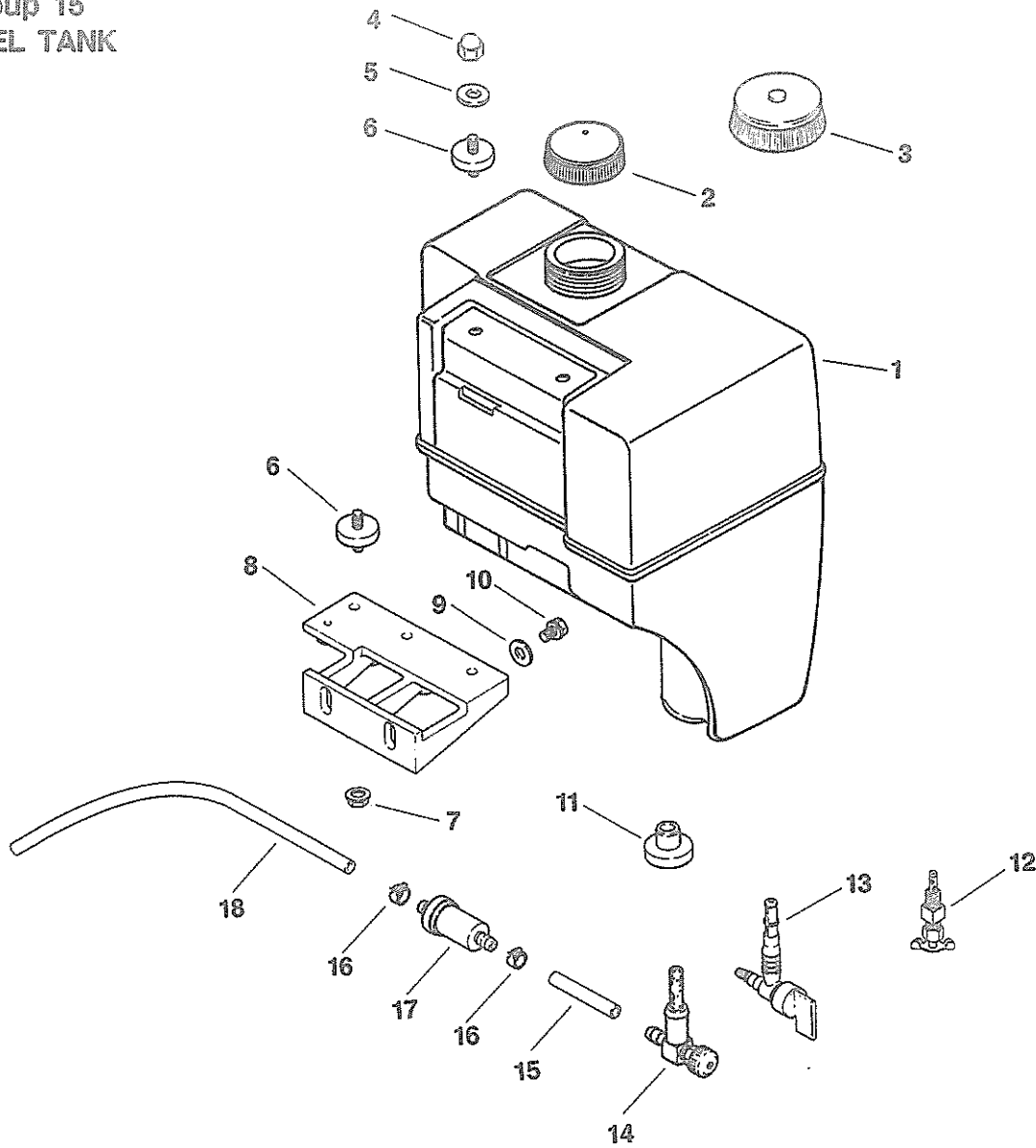


Note: Order fuel pump and connectors according to design used on engine, see page 26 for more parts.

Index Number	Description Variation Number	Part Number	Index Number	Description Variation Number	Part Number
12	Pump, fuel assembly (w/press-in fittings) (Flow arrows go right to left as shown) (Includes 2, {25 041 09}, 3, connectors 25 294 01,03) (Replaced by 47 559 04) 59,70,78,82,92,93,94	47 559 08	14	Connector, 45° press fit with O-ring (A.R.) (For 1/4" I.D. rubber hose) 59,70,78,82,93	25 294 02
13	Connector, 90° press fit with O-ring (A.R.) (For 1/4" I.D. rubber hose) 59,70,78,82,93	25 294 01	15	Connector, straight press fit with O-ring (A.R.) 59,70,78,82	25 294 03
13	Connector, 90° press fit with O-ring (A.R.) (2) (For 1/4" I.D. rubber hose) 92,94	25 294 01	16	O-ring 59,70,78,82,92,93,94	25 153 01
			17	Screw, tapping (2) 59,70,78,82,92,93,94	25 086 35

M14

Group 15 FUEL TANK



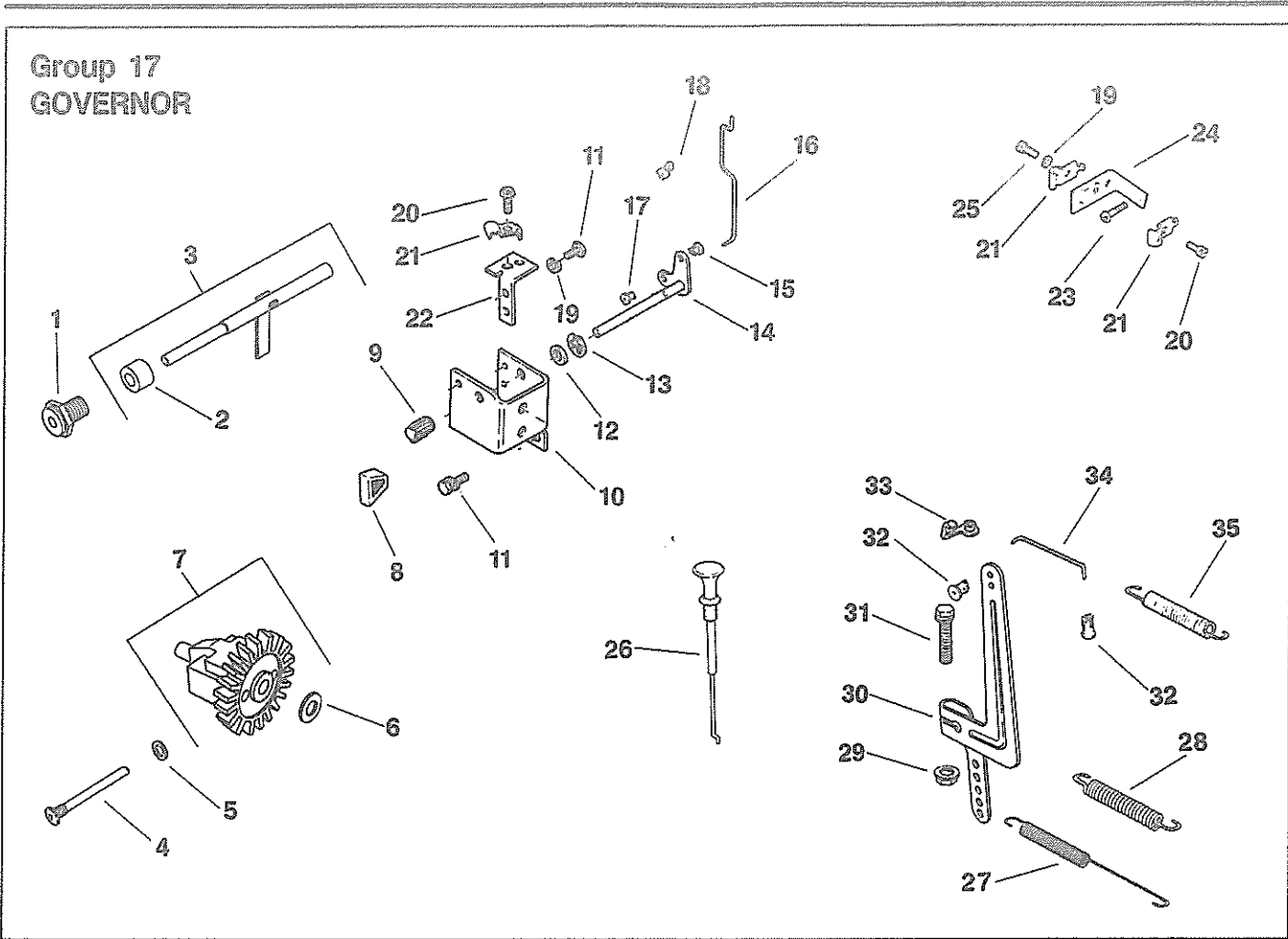
Index Number	Description Variation Number	Part Number	Index Number	Description Variation Number	Part Number
1	Tank, fuel (1/2" high filler neck) (Replaced by 47 755 39) 66,79,80,81,84,501	47 065 04*	3	Cap, fuel tank (Use on tank w/ 3/4" high filler neck) 66,79,80,81,84,501,503,504	25 173 03*
1	Kit, fuel tank (3/4" high filler neck) (Includes cap 25 173 03) 66,79,80,81,84,501,503,504	47 755 39*	4	Nut, acorn (2) 66,79,80,81,84,501,503,504	25 100 04
2	Cap, fuel tank (Use on tank w/ 1/2" high filler neck) (Replaced by 25 173 02) 66,79,80,81,84,501	25 173 01*	5	Washer, plain 1/4" (2) 66,79,80,81,84,501,503,504	X-25-78
3	Cap, fuel tank (Use on tank w/ 1/2" high filler neck) 66,79,80,81,84,501	25 173 02*	6	Mount, isolation (4) 66,79,80,81,84,501,503,504	47 366 01
			7	Palm nut 1/4-20" (2) 66,79,80,81,84,501,503	X-799-1
			8	Bracket, lower tank 66,79,80,81,84,501,503,504	47 126 30
			9	Washer, plain 3/8" (2) 66,79,80,81,84,501,503,504	X-25-28

Index Number	Description Variation Number	Part Number	Index Number	Description Variation Number	Part Number
10	Screw, H.C. sems 5/16-18x1-1/18" (2) 66,79,80,81,84,501,503,504	X-159-3	16	Clamp, hose (2) 66,79,81,504	25 237 01
11	Bushing, fuel tank (Use w/ metal shut-off valve 25 462 01) 66,79,80,81,84,501	41 158 03*	16	Clamp, hose (4) 80,84,503	25 237 01
11	Bushing, fuel tank (Use w/ plastic shut-off valve 25 462 03) 66,79,80,81,84,501,503,504	25 313 01*	17	Filter, fuel (Replaced by 41 050 03) (Replaced by 25 050 02) 66,79,80,84,500,501,502	41 050 02
12	Valve, fuel shut-off 500	220764	17	Filter, fuel 503	25 050 02
13	Valve, fuel shut-off, plastic (Use w/ bushing 25 313 01) 66,79,80,81,84,501,503,504,	25 462 03*	18	Line, fuel 3/16" I.D. 19" lg. 66,79,80,81,84,501,503,504	47 353 02
14	Valve, fuel shut-off, metal (Use w/ bushing 41 158 03) 66,79,80,81,84,501	25 462 01*	NOT ILLUSTRATED		
15	Line, fuel 3/16" I.D. 2" lg. 66,79,80,81,84,501,503	41 353 10	Decal, fuel warning 79,84,501,503,504		25 113 10

*Note: Order these parts according to style used on engine.

M14

Group 17 GOVERNOR



Index Number	Description Variation Number	Part Number	Index Number	Description Variation Number	Part Number
1	Bushing, governor shaft 75,76,78,79,81,83,87,98,100,102, 104,106,107,112,114,116,117,118, 147,148,150,500,501,502,503,504	235476	7	Kit, governor gear (Includes 6) 75,76,78,81,83,87,100,102,104, 106,107,112,114,116,117,118,147, 148,150,500,501,502,503,504	A-235743-S
2	Spacer 17/64" I.D. 75,76,78,79,81,83,87,98,100,102, 104,106,107,112,114,116,117,118, 147,148,150,500,501,502,503,504	X-400-80	7	Kit, governor gear (Includes 6) 79,98	A-236294-S
3	Kit, governor cross shaft (Includes 2) 75,76,78,79,81,83,87,98,100,102, 104,106,107,112,114,116,117,118, 147,148,150,500,501,502,503,504	A-235256-S	8	Knob, speed control 75,76,116,117,147,148,500,501, 502,503,504	41 341 03
4	Pin, governor stop 75,76,78,79,81,83,87,98,100,102, 104,106,107,112,114,116,117,118, 148,147,150,500,501,502,503,504	231355	9	Knob, choke (w/set screw) (Use w/ 47 144 20) (Use before serial no. 1811200013) 75,76,79,83,116,117,118,500,501, 502	47 341 02*
5	Washer, plain 1/4" 75,76,78,79,81,83,87,98,100,102, 104,106,107,112,114,116,117,118, 148,147,150,500,501,502,503,504	25 468 01	9	Knob, choke (Use w/ 47 144 23 & 47 755 41) (Use after serial no. 1811200013) 75,76,79,83,116,117,118,500,501, 502,504	47 341 03*
6	Washer, thrust 75,76,78,79,81,83,87,98,100,102, 104,106,107,112,114,116,117,118, 148,147,150,500,501,502,503,504	237022	9	Knob, choke (Use w/ 47 755 41) 503,504	47 341 03*
			10	Bracket, choke shaft 75,76,79,83,116,117,118,147,148, 500,501,502,503,504	47 126 25

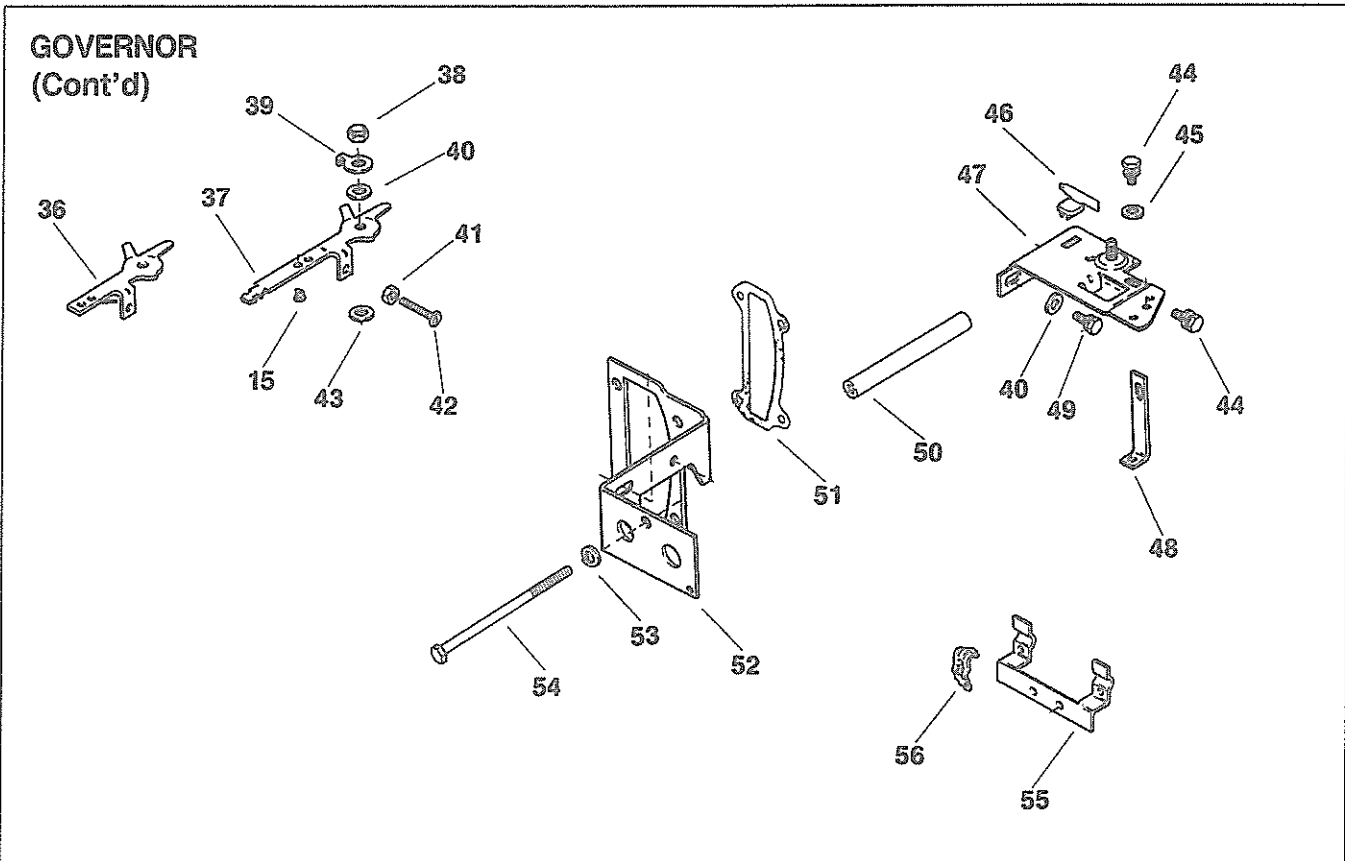
Index Number	Description Variation Number	Part Number	Index Number	Description Variation Number	Part Number
11	Screw, sems (2) (Use after serial no. 1821400003) 75,76,83,116,117,118,500,501,502	41 086 23	20	Screw, sltd. hex. hd. 10-24x3/8" (2) (Use w/ washer X-19-1) (Use before serial no.1821400013) 75,76,83,116,117,118,147,148, 500,501,502,503,504	X-97-3
11	Screw, sems (2) (Use after serial no. 1822300003) 75,76,79,83,116,117,118,500,501, 502	41 086 23	20	Screw, sltd. hex. hd. 10-24x5/8" (2) 75,76,83,500,501	X-97-3
11	Screw, sems (4) 147,148,503,504	41 086 23	20	Screw, sltd. hex hd. 10-24x5/8" 98,150	X-97-3
12	Bushing, choke control shaft (2) 75,76,79,83,116,117,118,147,148, 500,501,502,503,504	25 158 05	20	Screw, 10-24x3/8" 106	X-97-3
13	E-Ring (2) 75,76,79,83,116,117,118,147,148, 500,501,502,503,504	25 141 01	21	Clamp cable (2) 75,76,78,83,106,116,117,118,147, 148,500,501,502,503,504	235778
14	Shaft, choke control (Use w/ 47 341 02 knob) (Replaced by 47 755 41) (Use before serial no. 1811200013) 75,76,79,83,116,117,118,500, 501,502	47 144 20*	21	Clamp bowden wire 98,150	235778
14	Shaft, choke control (Use w/ 47 341 03 knob) (Replaced by 47 144 27) (Replaced by 47 755 41) (Use after serial no. 1811200003) 75,76,79,83,116,117,118,500,501, 502	47 144 23*	22	Bracket, cable clamp 75,76,83,116,117,118,147,148, 500,501,502,503,504	47 126 31
14	Kit, choke control shaft (Includes 9,13) 75,76,79,83,116,117,118,147,148, 500,501,502,503	47 755 41*	23	Screw, sems 1/4-20x1/2" 106	52 086 11
15	Bushing, linkage, black (2) 75,76,79,83,116,117,118,147,148, 500,501,502,503,504	47 158 03	24	Bracket, choke 98,106,150	47 126 34
15	Bushing, linkage, black 78,87,107	47 158 03	25	Screw, F.H.M. 10-24x1/2" 106	X-15-5
16	Linkage, choke 75,76,79,83,116,117,118,147,148, 500,501,502,503,504	47 079 04	25	Screw, sems 1/4x20x5/8" 98,150	52 086 11
17	Bushing, linkage yellow (2) (Replaced by 25 158 09) 75,76,79,83,87,114,116,500,501, 502	25 158 07	26	Cable, choke 98,150	47 159 01
17	Bushing, linkage, yellow (Replaced by 25 158 09) 78,81,100,102,104,106,107,112, 117,118	25 158 07	27	Spring, governor 100,102,104,106,107,114	47 091 01
18	Bushing, linkage, black 98,150,504	25 158 09	27	Spring, governor (Replaced by 47 089 09) 75,83,501	47 089 05
18	Bushing, linkage, black (2) 148,147,503	25 158 09	27	Spring, governor (Replaced by 47 089 09) 76,116,117,118,500,504	47 089 08
19	Washer, lock #10 (2) (Use w/ screw X-97-3) (Use before serial no. 1821400013) 75,76,83,116,117,118,500,501,502	X-19-1	27	Spring, governor 79	47 089 07
19	Washer, lock #10 106	X-19-1	27	Spring, governor 147,148,503	47 089 09
			28	Spring, governor 78,81,87,112,150	235496
			28	Spring 98	45 091 01
			29	Pinnut 1/4-20" 75,76,78,79,81,83,87,98,100,102, 104,106,107,112,114,116,117,118, 147,148,150,500,501,502,503,504	X-799-1
			30	Lever, governor 75,76,78,79,81,83,87,98,100,102, 104,106,107,112,114,116,117,118, 147,148,150,500,501,502,503,504	47 090 20
			31	Screw, H.C. sems 1/4-20x1-1/4" 75,76,78,79,81,83,87,98,100,102, 104,106,107,112,114,116,117,118, 147,148,150,500,501,502,503,504	X-776-1

*Note: Order according to design used on engine or
use Choke control shaft kit 47 144 23.

GOVERNOR
(Cont'd)

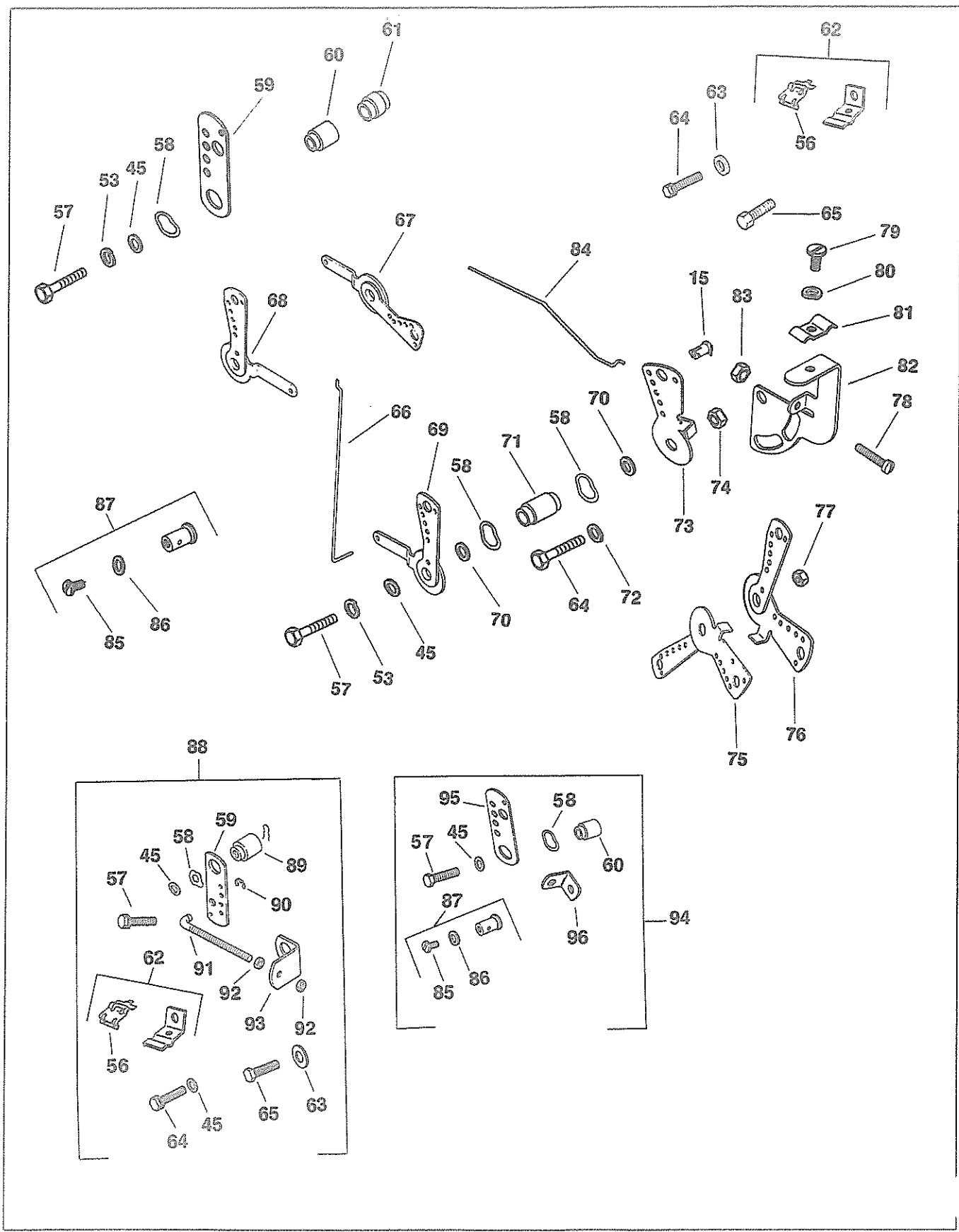
M14

Index Number	Description Variation Number	Part Number	Index Number	Description Variation Number	Part Number
32	Bushing, linkage, white (Replaced by 47 158 06) (Replaced by 47 158 07) 75,76,78,79,81,83,87,100,102,104, 106,107,112,114,116,117,500,501, 502	47 158 04	33	Bushing, linkage, black 98,147,148,150,503,504	47 158 07
32	Bushing, linkage (Replaced by 47 158 07) 118	47 158 06	34	Linkage, governor - gov. to carb. (Replaced by 47 079 10) 75,76,78,81,83,87,100,102,104, 106,107,112,114,116,117,118,148, 150,500,501,502,504	47 079 05
			34	Linkage, governor - gov. to carb. 79,98,117,147,503,504	47 079 10
			35	Spring, dampening 79	230117



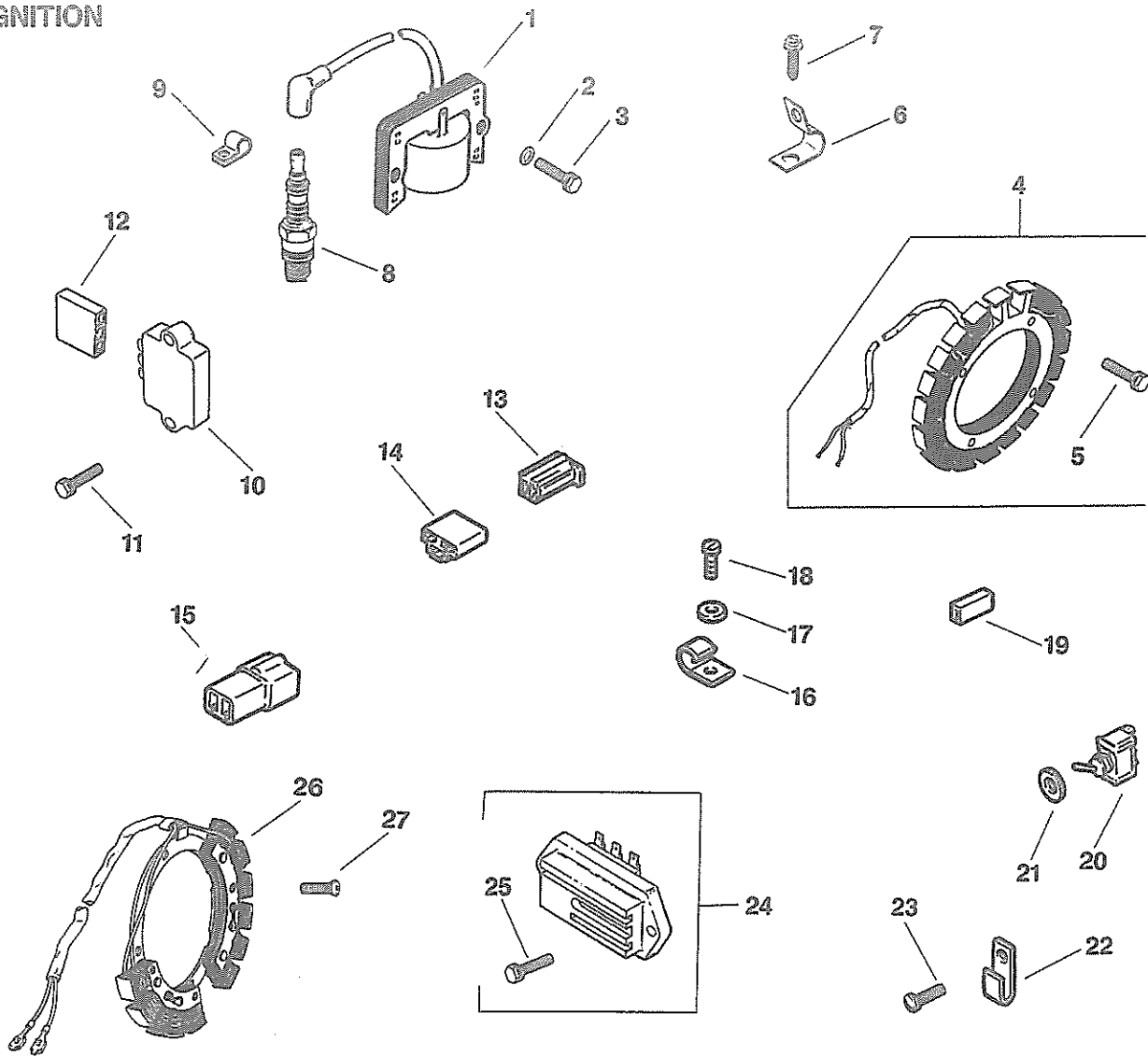
Index Number	Description Variation Number	Part Number	Index Number	Description Variation Number	Part Number
36	Lever, speed control 83,79	47 090 22	40	Washer, plain 1/4" (4) 75,76,79,83,116,117,118,147,148, 500,501,502,503,504	X-25-53
37	Lever, speed control 75,76,116,117,118,147,148,500, 501,502,503,504	47 090 19	41	Nut, hex. 10-24" 75,76,79,83,116,117,118,147,148, 500,501,502,503,504	X-70-2
38	Nut 75,76,79,83,116,117,118,147,148, 500,501,502,503,504	41 100 04	42	Screw, F.H. 10-24x3/8" 75,76,79,83,116,117,118,147,148, 500,501,502,503,504	X-50-7
39	Tab, locking (Use with 40, qty 2) 75,76,79,83,116,117,118,147,148, 500,501,502,503,504	52 448 02	43	Washer, wave 75,76,79,83,116,117,118,147,500, 501,502,503,504	41 468 03
			43	Washer, wave (2) 148	41 468 03
			44	Screw, H.C. same 1/4-20x3/8" 78,83,87,112	X-132-1

Index Number	Description Variation Number	Part Number	Index Number	Description Variation Number	Part Number
44	Screw, H.C. sems 1/4-20x3/8" (2) 75,76,79,116,117,118,147,148,500, 501,502,503,504	X-132-1	51	Gasket, camshaft cover 75,76,79,83,116,117,118,147,148, 500,501,502,503,504	235025
45	Washer, plain 1/4" 75,76,79,83,98,100,102,104,106, 107,112,114,116,117,118,147,148, 500,501,502,503,504	X-25-63	52	Bracket, control panel 75,76,79,83,116,117,118,147,148, 500,501,502,503,504	47 126 28
45	Washer, plain 1/4" (2) 78,81,87	X-25-63	53	Washer, lock 1/4" 75,76,78,79,83,87,104,112,116,117, 118,147,148,500,501,502,503,504	X-20-1
46	Switch, kill (Replaced by 25 099 12) 76,117,148,500,502,504	41 099 05	53	Washer, lock 1/4" (2) 81	X-20-1
47	Bracket, speed control 75,76,79,83,117,118,147,148,500, 501,502,504	47 126 21	54	Screw, H.C. 1/4-20 x5/16" 75,76,79,83,116,117,118,147,148, 500,501,502,503,504	47 086 16
48	Bracket, stabilizer 75,76,79,83,116,117,118,147,148, 500,501,502,503,504	47 126 27	55	Bracket, bowden wire 75,76,79,83,116,117,118,147,148, 500,501,502,503,504	47 126 26
49	Screw, H.C. sems 1/4-20x5/8" (2) 75,76,79,83,116,117,118,147,148, 500,501,502,503,504	X-132-5	56	Clip, cable (2) 75,76,79,83,98,116,117,118,147, 148,500,501,502,503,504	235603
50	Spacer 16/64" I.D., 1/2" O.D. 75,76,79,83,116,117,118,147,148, 500,501,502,503,504	25 112 03			See pages 34,35 for additional governor components.



Index Number	Description Variation Number	Part Number	Index Number	Description Variation Number	Part Number
57	Screw, H.C. 1/4-20x1-1/2" 78,87,104,112	X-5-26	76	Lever, throttle control 78,114	47 090 51
57	Screw, H.C. 1/4-20x1-1/2" (2) 81	X-5-26	77	Nut, hex 1/4-20" 102,114	X-81-1
57	Screw, H.C. sems 1/4-20x1-1/4" 78,87,102,106,107,114	X-132-9	78	Screw, adj. lever 8-32x15/16" 78,81,87,100,102,104,106,107, 112,114	232556
58	Washer, wave 106	275690	79	Screw, hex. hd. 10-24x3/4" 78,81,87,100,102,104,107,112,114	X-67-51
58	Washer, wave (2) 100,102,104,114,107,112	275690	80	Washer, flat 78,81,87,100,102,104,107,112,114	25 468 04
58	Washer, wave (3) 78,81,87	275690	81	Clamp 78,81,87,100,102,104,107,112,114	47 237 02
59	Bracket, speed control 78,81,87,112	235086	82	Bracket, control 106	47 126 13
60	Spacer 23/64" O.D., 9/16" lg. 78,81,87,112	235085	82	Bracket, choke 78,81,87,100,102,104,107,112,114	47 126 09
61	Spacer 17/64" I.D. 78,81,87,112	X-384-2	83	Nut, hex. 8-32" 78,81,87,100,102,104,106,107,112, 114	X-72-4
62	Bracket assembly, throttle (Includes 56) 98	A-237559	84	Linkage, throttle - swivel clamp to throttle control lever 78,81,87,112	47 079 08
63	Spacer 9/32" I.D. 98	25 431 01	85	Screw, sltd. pan hd. 8-32x14" 78,81,87,100,112	X-51-8
64	Screw, sems hex hd. 1/4-20x1/2" 81,98,100,102,106,104,107,114	X-132-6	85	Screw, sltd. pan hd. 8-32x14" (2) 114	X-51-8
65	Screw, hex. 1/4-20x1/2" 98	25 086 14	86	Washer, plain 1/4" 78,81,87,100,112	X-25-102
66	Linkage, choke - carburetor to lever assembly 78,81,87,100,102,104,107,112,114	47 079 01	86	Washer, plain 1/4" (2) 114	X-25-102
67	Lever, choke control 81,102,104	47 090 07	87	Kit, clamp (Includes 85,86) 78,81,87,100,112,114	48 755 10
68	Lever, choke control 114	47 090 50	88	Kit, speed control and choke bracket (Includes 45 {qty 2},56-59,62-65,89-93) 98	47 755 34
69	Lever, choke control 87,100,107	47 090 06	89	Spacer, 7/64" I.D. 98	45 112 01
70	Washer, plain 3/8" 78,87,100,107	X-25-82	90	Retainer, throttle rod 98	235278
71	Spacer, 23/64" O.D., 31/64" lg. 78,87,102,107,114	47 112 19	91	Rod, ball joint 98	235277
71	Spacer 81,100,104	47 112 02	92	Nut, hex 10-32" 98	X-70-3
71	Spacer 106	47 112 03	93	Bracket, adjusting screw 98	47 126 32
72	Washer, plain 1/4" 78,81,87,100,104,106,107,112	X-25-72	94	Assembly, speed control bracket (Includes 45,57,58,60,85,86,95,96) 150	A-236947
73	Lever, choke control 100	47 090 10	95	Bracket, speed control 150	236249
73	Lever, throttle control 78,87,107	47 090 25	96	Bracket, adjusting screw 150	235084
74	Nut, hex. 1/4-20" 78,81,87,100,104,107	X-76-2			
75	Lever, throttle control 106	47 090 09			
76	Lever, throttle control 81,102,104	47 090 08			

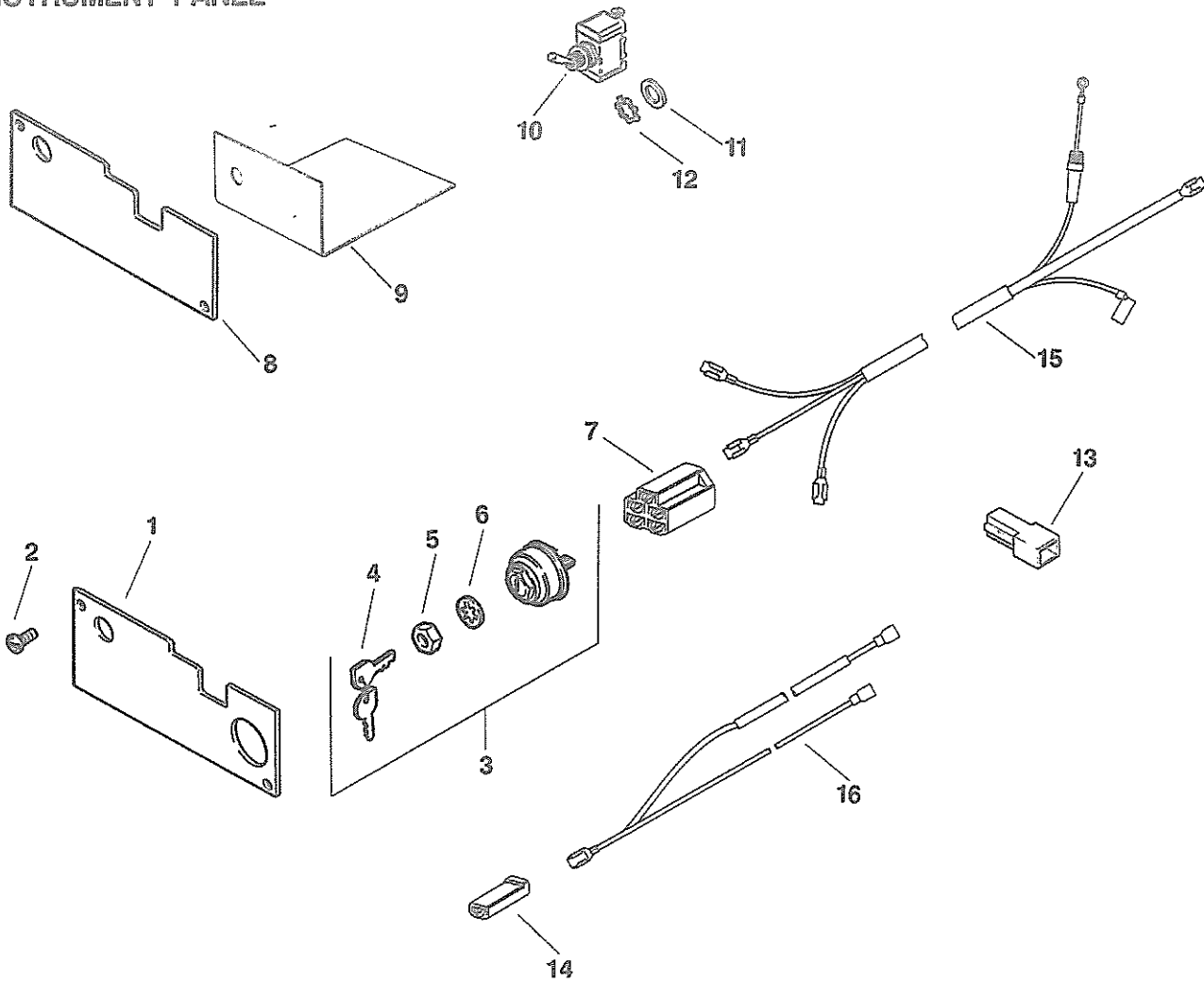
Group 18
IGNITION



Index Number	Description Variation Number	Part Number	Index Number	Description Variation Number	Part Number
1	Module, ignition (w/out diode) (Replaced by 47 584 02) 236,237,246,255,260,261,262,267,274, 287	47 584 01*	4	Kit, stator (15 amp.) (Includes 5 [qty.4], terminal 25 452 01) 236,246,255,260,261,264,267,284, 287,291,500,502,503	237878
1	Module, ignition (w/ diode) 264,284,291,292,500,501,502,503, 504	47 584 02	5	Screw, sems hex hd. 1/4-20x5/8" 262,274	X-67-51
2	Washer, plain #10 (2) 236,237,246,255,260,261,262,264, 267,274,284,287,291,292,500,501, 502,503	X-25-79	5	Screw, sems hex. hd. 1/4-20x5/8" (4) 236,246,255,260,261,264,267,284, 287,291,500,502,503	X-67-51
3	Screw, H.C. sems 10-24x7/8" (2) 236,237,246,255,260,261,262,264, 267,274,284,287,291,292,500,501, 502,503	X-156-1	6	Clip, lead 236,246,255,260,261,262,264,267,274, 284,287,291,500,502,503	X-728-1
			*Note: Module 47 584 01 must be used with wiring harness with a diode, 47 518 43.		

Index Number	Description Variation Number	Part Number	Index Number	Description Variation Number	Part Number
7	Screw, hex. wash. hd. 8-32x3/8" 236,246,255,260,261,262,264,267, 274,284,287,291,500,501,502,503	X-67-59	NOT ILLUSTRATED		
8	Spark plug RH-10 236,237,246,255,260,261,262,264, 267,284,284,287,291,292,500,501, 502,503	235041-S		Terminal (2) 236,246,255,260,261,264,267,284, 287,291,500,502,503	25 452 01
9	Clip, hi-tension 236,237,246,255,260,261,262,264, 267,274,284,287,291,292,500,501, 502,503	210281		Lead, white, w/diode (5"-18 gauge-insulated push on tab- insulink) (Service replacement lead for lead w/ diodes) 236,237,246,255,260,261,262,264, 267,274,284,287,500,502,503	47 518 43
10	Rectifier-regulator (15 amp.) (Replaced by 25 755 03) 236,246,255,260,261,264,267,287	41 403 05		Lead, white, w/diode (2) (Service replacement lead for lead w/ diodes) (5"-18 gauge-insulated push on tab- insulink)	
11	Screw, sems 1/4-20x1" (Use w/ rect.-reg. 41 403 05) 236,246,255,260,261,264,,267,287	X-132-4		284	47 518 43
12	Connector, female 236,246,255,260,261,264,267,284, 287,291,500,502,503	236602		Lead, violet, rect.-reg. to connector (12-1/2"-14 gauge - uninsulated locking tang female 1/4" terminals)	
13	Connector, male 255,260,261,267,284,287,502	41 155 03		246,255,260,261,287,500	47 518 46
14	Connector, female 246,274,500	236473		Lead, black (19"-14 gauge - uninsulated locking tang female 1/4" terminals) (Discontinued not available at Kohler Co.)	
15	Connector, female 261,502	52 155 04		267	47 518 29
16	Clip 262,264	48 154 01		Lead, violet (23" - 14 gauge - insulated locking tang female 1/4" terminals)	
16	Clip 262,284,291	235173		264	47 518 36
17	Washer, plain 17/64x9/16x1/16" 262,264	X-25-72		Lead, red, switch to oil sentry connector (14"-18 gauge uninsulated male bullet, insulated grip barrel eyelet terminals)	
18	Screw, self tap. 1/4-20x7/16" 262,264	X-67-83		292	47 518 50
18	Screw, sems hex. hd. 1/4-20x1/2" 262	X-132-6		Lead, red, ground to oil sentry connector (4"-18 gauge - uninsulated male bullet, insulated grip barrel eyelet terminals)	
19	Connector 292	277563		292	47 518 51
20	Switch, toggle 292	238011		Lead, black, switch to remote kill switch connector (12"-14 gauge uninsulated push on tab - insulated barreil eyelet terminals)	
21	Nut, knurl 292	41 100 06		292	47 518 21
22	Clip 292	275303		Lead, white, ground to switch (12" - 18 gauge insulated grip barrel eyelet terminals)	
23	Screw, R.H.M. 6-32x5/16" 292	X-49-1		292	25 518 17
24	Kit, rectifer-regulator (Includes 25) 284,291,500,502,503,504	25 755 03		Lead, white, module to switch (10" - 18 gauge - insulated push on tab - insulated grip barrel eyelet terminals.)	
25	Screw, H.C. sems 1/4-20x5/8" (2) (Use w/ rect.-reg. kit 25 755 03) 236,246,255,260,261,264,267,284, 287,291,500,502,503	X-132-5		292	25 518 16
26	Stator (3 amp.) 262	45 085 02		Kit, diode 262	51 755 01
26	Stator (1.25 amp.) 274	25 085 03		Decal, (on-off) 292	47 113 33
27	Screw, pan hd. 10-24x3/8" (3) 262,274	25 086 30		Decal, ignition 291	41 113 12

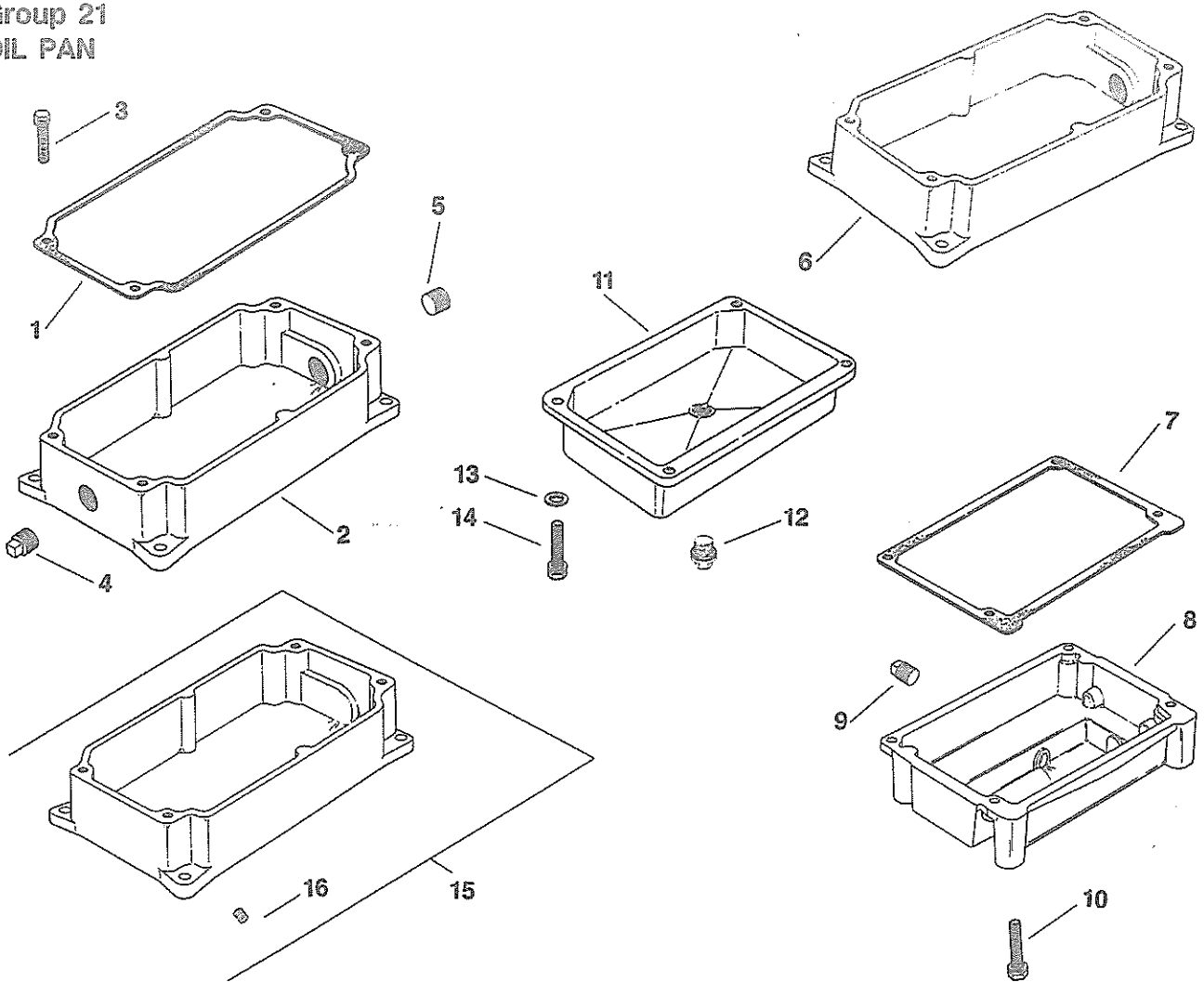
Group 19
INSTRUMENT PANEL



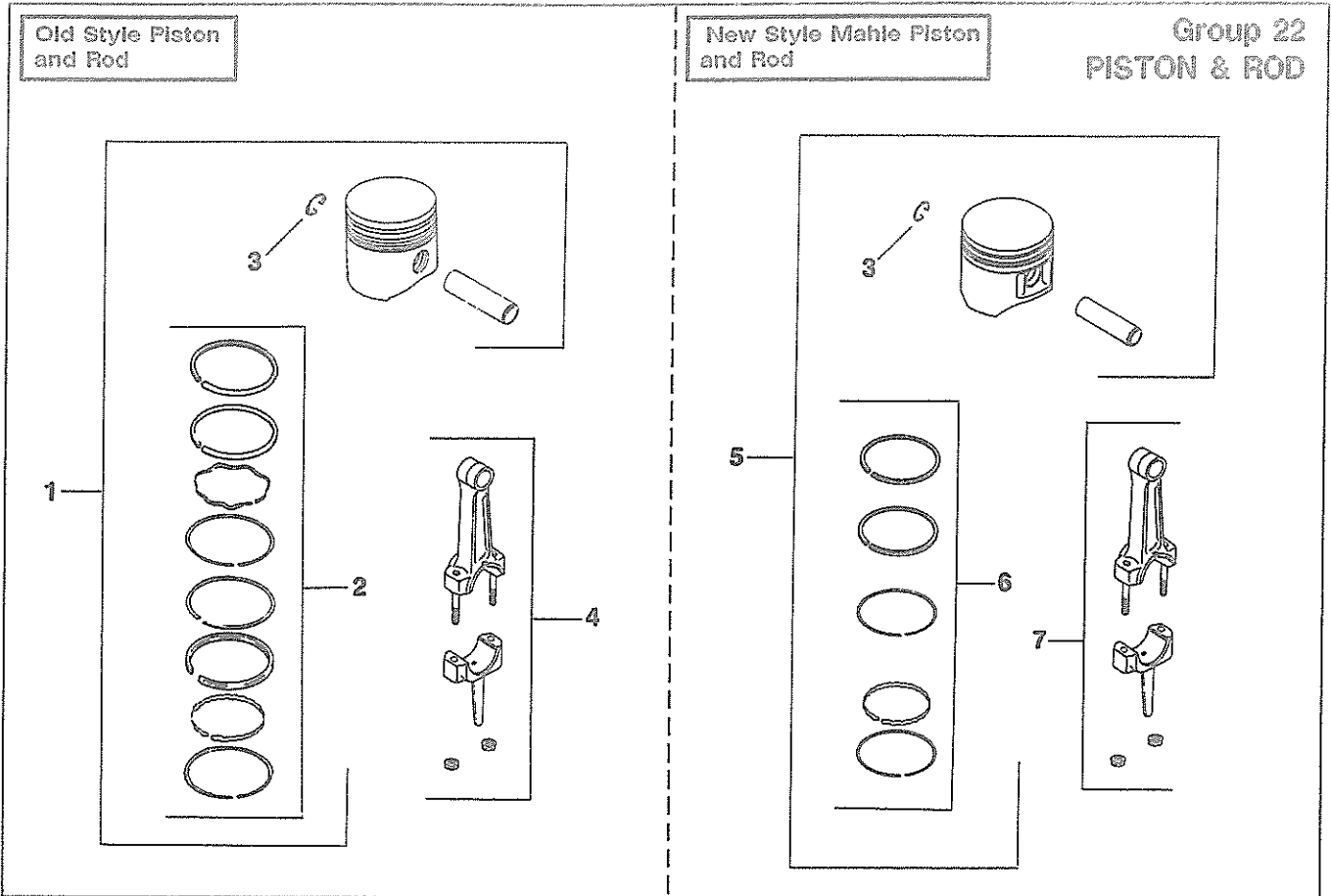
Index Number	Description Variation Number	Part Number	Index Number	Description Variation Number	Part Number
1	Panel, instrument 43,49,53,63,70,72,503	47 378 06	7	Connector 43,53,59,63,70,72,501,503	48 155 01
2	Screw, sems F.H. 10-24x3/8" (2) (Use after serial no. 1615700003) 43,49,51,53,57,500,501	X-131-1	8	Panel, instrument 44,51,57,64,69,71,500,501,502	47 378 05
2	Screw, sems F.H. 10-24x3/8" (2) 63,64,69,70,71,72,502,503	X-131-1	9	Panel, instrument 59	47 378 09
3	Switch, key assembly (Includes 4-6) 43,53,59,63,70,72,501,503	25 099 04	10	Switch 49	151510
4	Key (Set of two) 43,53,59,63,70,72,501,503	48 340 01	11	Washer, int./ext tooth 1/2" 49	X-22-26
5	Nut 43,53,59,63,70,72,501,503	48 100 01	12	Washer, flat 15/32x15/16x1/16" 49	X-25-34
6	Washer 43,53,59,63,70,72,150,501,503	48 468 02	13	Connector (Use before serial no. 1922900013) 500	25 155 03
			14	Connector, male 57	277563

Index Number	Description Variation Number	Part Number	Index Number	Description Variation Number	Part Number
15	Harness, wiring w/ diode (Replace diode w/ service component, 47 518 43 lead w/ diode) (Use before serial no. 1725100013) (Replaced by 47 176 08) 43,53	47 176 05		Lead, white, module to kill switch (19"-18 gauge - insulated push on tab terminals) (Use before serial no. 1701900013) 500	47 518 42
15	Harness, wiring (w/ diode) (Use w/ module w/o diode) (Use after serial no. 1725100003) 43,53	47 176 08		Lead, white, module to kill switch (19"-18 gauge - insulated push on tab terminals) (Use before serial no. 1903800013) 502	47 518 42
15	Harness, wiring (Use after serial no. 2025700003) 503	47 176 08		Lead, white, module to kill switch (19"-18 gauge - insulated push on tab terminals) (Use before serial no. 2000400013) 71	47 518 42
15	Harness, wiring 72	47 176 12		Lead, white, w/ diode (5"-18 gauge - insulated push on tab - insulink) (Service replacement lead for wiring harness w/diode, 47 176 05) 59	47 518 43
15	Harness, wiring 63	47 176 12		Lead, green, ground to switch (3"-18 gauge - insulated grip barrel eyelet terminals) 49	47 518 39
16	Harness, wiring (Use after serial no. 1701900003) 500	47 176 10		Lead, black, module to switch (21"-18 gauge-insulated grip barrel eyelet, insulated push-on female 3/16" terminals) 49	47 518 47
16	Harness, wiring (Use after serial no. 1903800003) 502	47 176 10		Lead, keyswitch to reg.-rect 59	47 518 36
16	Harness, wiring 64	47 176 10		Lead, light blue solenoid tab to keyswitch (6"-18 gauge - uninsulated push on tab - insulated push on tab terminals) 59	47 518 20
16	Harness, wiring, dual kill (Use after serial no. 2025700003) 503	47 176 14		Assembly, fuse holder lead, - solenoid terminal to keyswitch (Includes fuse 41 304 01) 59	25 323 01
16	Harness, wiring, dual kill 70	47 176 14		Fuse 59	41 304 01
16	Harness, wiring 69	47 176 15		Decal, instrument panel 44,57,64,69,71,500	47 113 11
16	Harness, wiring (Use after serial no. 2000400003) 71	47 176 06		Decal, instrument panel 49	47 113 17
16	Harness, wiring 57	47 176 06		Decal, instrument panel 43,70,72,63,503	47 113 10
NOT ILLUSTRATED	Lead, violet - keyswitch to rectifier- regulator (11"-14 gauge - uninsulated push on tab terminals) 43,53,63,70,72,503	47 518 33		Decal, instrument panel 53	47 113 14
	Lead, white, module to kill switch (19"-18 gauge - insulated push on tab terminals) 44	47 518 42		Decal, instrument panel 51,501	47 113 15
	Lead, white, module to kill switch (19"-18 gauge - insulated push on tab terminals) (Use before serial no. 1919200013) 69	47 518 42			

Group 21
OIL PAN



Index Number	Description Variation Number	Part Number	Index Number	Description Variation Number	Part Number
1	Gasket, oil pan 2,21,23,26,58,59,63,500,501	235057	7	Gasket, oil pan 54	47 041 07
2	Pan, oil (double drain) 58,59	47 199 15	8	Pan, oil (side drain) 56	47 199 12
2	Pan, oil (double drain) 500	47 199 10	9	Plug, sq. hd. solid 1/4" N.P.T.F. 43,56	X-75-2
2	Pan, oil (drain on starter side) 63,501	45 199 05	10	Screw, H.C. sems 3/8-16x1-1/2" (4) 43,56	X-159-4
3	Screw, H.C. sems 3/8-16x1-1/4" (4) 2,6,21,58,59,63,500,501	X-159-3	11	Pan, oil (bottom drain) 54	47 199 07
4	Plug, pipe 3/8" 2,63,501	X-75-10	12	Plug, pipe 54	X-75-32
4	Plug, sq. hd. solid 3/4" N.P.T.F. 6,21,58,59,500	X-75-6	13	Washer, plain 13/32x13/16x1/16 "(4) 54	X-25-37
5	Plug, sq. ctsk. 1/2" N.P.T.F. 58,63	X-75-3	14	Screw, sems H.C. 3/8-16x1" (4) 54	X-159-2
6	Pan, oil (rear drain) 6,21	235305	15	Kit, oil pan (bottom drain) (Includes 16)	47 755 11
6	Base, oil pan (bottom drain) 2	235147	16	Plug, pipe 43	X-75-38
7	Gasket, oil pan 43,56	235353			



Group 22
PISTON & ROD

Index Number	Description Variation Number	Part Number	Index Number	Description Variation Number	Part Number
--------------	------------------------------	-------------	--------------	------------------------------	-------------

OLD STYLE PISTON DESIGN:

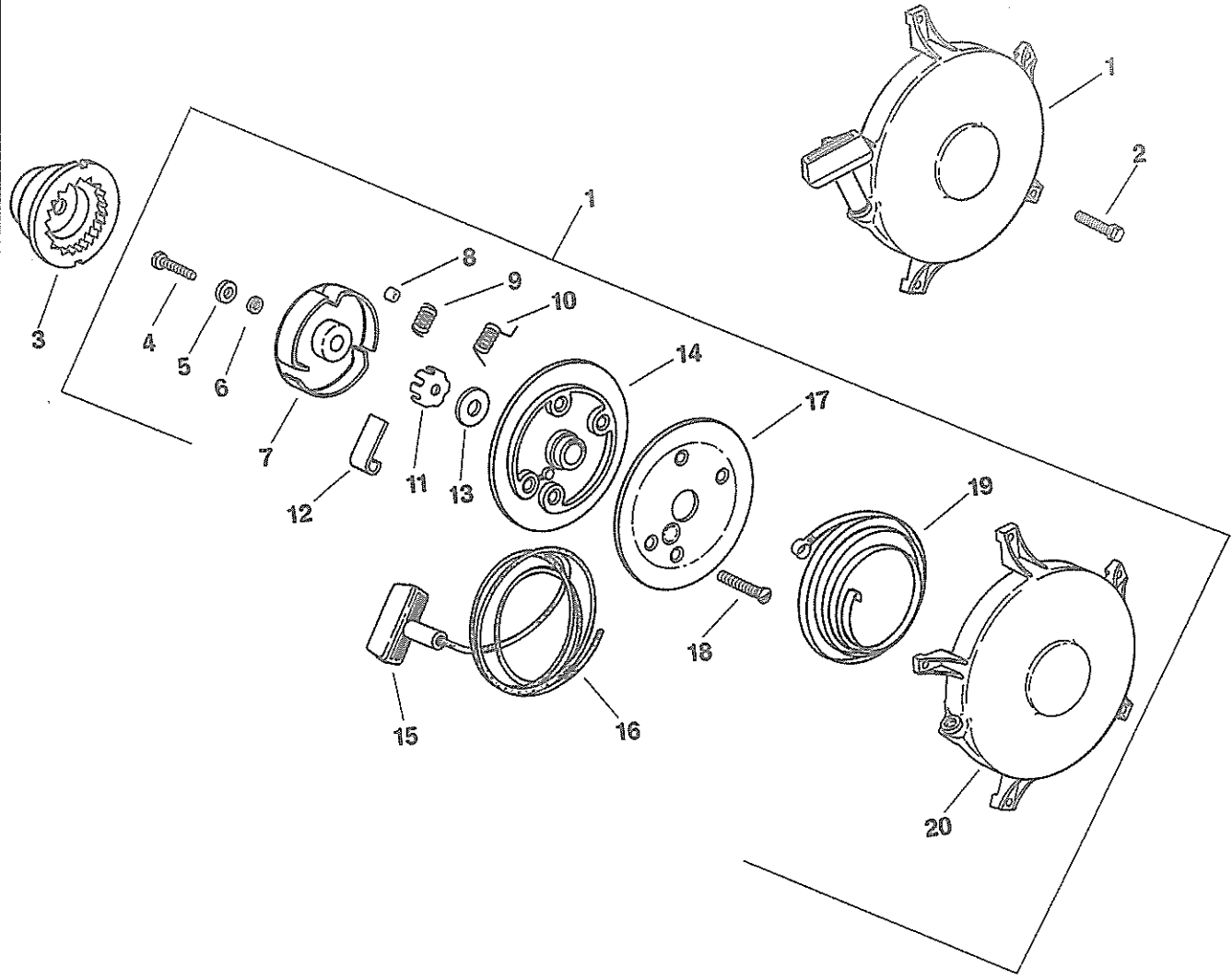
1	Piston w/ Ring Set (Std.) 18	47 874 11
1	Piston w/ Ring Set (.003) 18	47 874 12
1	Piston w/ Ring Set (.010) 18	47 874 13
1	Piston w/ Ring Set (.020) 18	47 874 14
1	Piston w/ Ring Set (.030) 18	47 874 15
2	Ring Set (Std. & .003) (Replaced by 48 108 05) 18	236763
2	Ring Set (.010) (Replaced by 48 108 06) 18	236764
2	Ring Set (.020) (Replaced by 48 108 07) 18	236765
2	Ring Set (.030) (Replaced by 48 108 08) 18	236766
3	Retainer, piston (2) 18,500	47 018 01
4	Connecting Rod (Std.) 18	47 067 09
4	Connecting Rod (.010) 18	47 067 10

NEW STYLE MAHLE PISTON DESIGN:

5	Piston w/ Ring Set (Std.) 18,500	47 874 21
5	Piston w/ Ring Set (.003) 18,500	47 874 22
5	Piston w/ Ring Set (.010) 18,500	47 874 23
5	Piston w/ Ring Set (.020) 18,500	47 874 24
5	Piston w/ Ring Set (.030) 18,500	47 874 25
6	Ring Set (Std. & .003) 18,500	47 108 05
6	Ring Set (.010) 18,500	47 108 06
6	Ring Set (.020) 18,500	47 108 07
6	Ring Set (.030) 18,500	47 108 08
7	Connecting Rod (Std.) 18,500	45 067 24
7	Connecting Rod (.010) 18,500	45 067 25

Note: Order parts according to style used on engine.

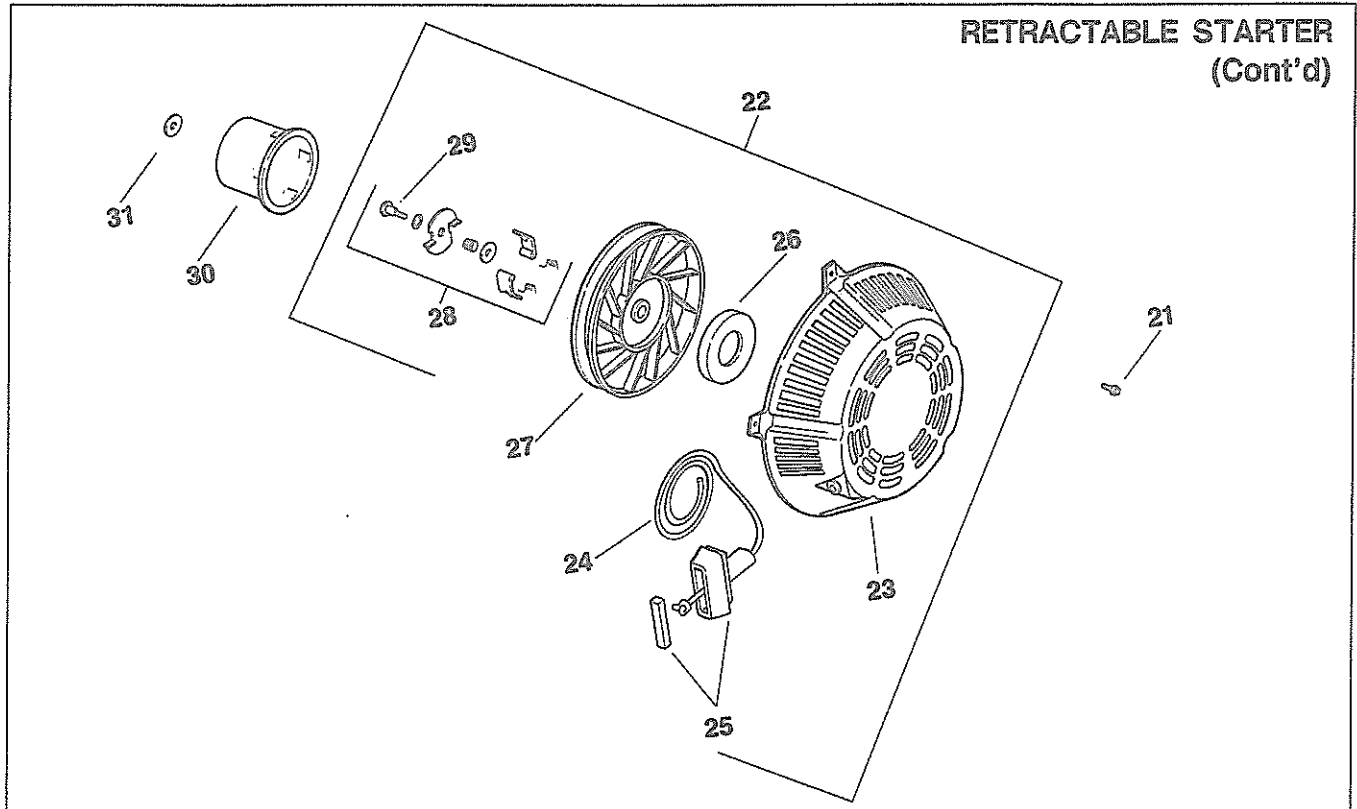
Group 23
RETRACTABLE STARTER



Index Number	Description Variation Number	Part Number	Index Number	Description Variation Number	Part Number
1	Starter, retractable assembly (Includes 4-20) 8,11	47 165 01	5	Washer, recoil starter 8,11,500,501,502	231690
1	Starter, retractable assembly (Includes 4-20) (Use before serial no. 2027800013) 500,501,502	47 165 01	6	Washer, recoil starter 8,11,500,501,502	231693
2	Screw, H.C. sems 10-24x5/8" (5) 8,11	X-156-2	7	Retainer 8,11,500,501,502	231699
2	Screw, H.C. sems 10-24x5/8" (5) (Use before serial no. 2027800013) 500,501,502	X-156-2	8	Spacer, nylon (Use with retainer spring 232525) 8,11,500,501,502	47 112 04*
3	Cup, drive 8,11	47 109 01	9	Spring, retainer (Use with spacer 47 112 04) 8,11,500,501,502	232525*
3	Cup, drive (Use before serial no. 2027800013) 500,501,502	47 109 01	10	Spring, dog (3) 8,11,500,501,502	41 089 06*
4	Screw, hex. hd. 10-32x5/8" 8,11,500,501,502	231691	11	Brake 8,11,500,501,502	231689
			12	Dog (3) 8,11,500,501,502	231695
			13	Washer, thrust 8,11,500,501,502	231692

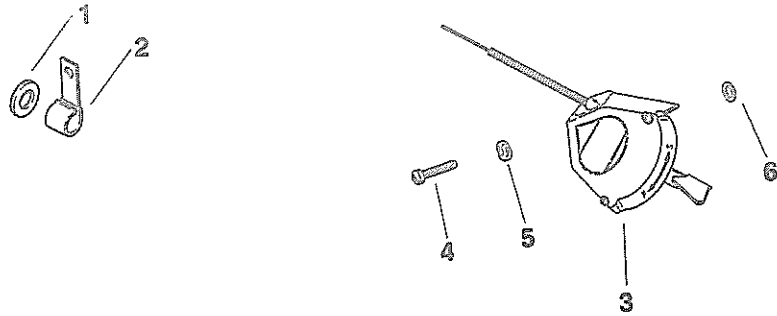
Index Number	Description Variation Number	Part Number	Index Number	Description Variation Number	Part Number
14	Pulley 8,11,500,501,502	231697	18	Screw (4) 8,11,500,501,502	231693
15	Handle 8,11,500,501,502	234452	19	Spring, recoil 8,11,500,501,502	231705
16	Rope, #6 (66" long) 8,11,500,501,502	231686	20	Housing 8,11,500,501,502	235696
17	Sheave 8,11,500,501,502	231685			

*Note: Use spacer 47 112 04 with spring retainer 232525 or use dog spring 41 089 06.



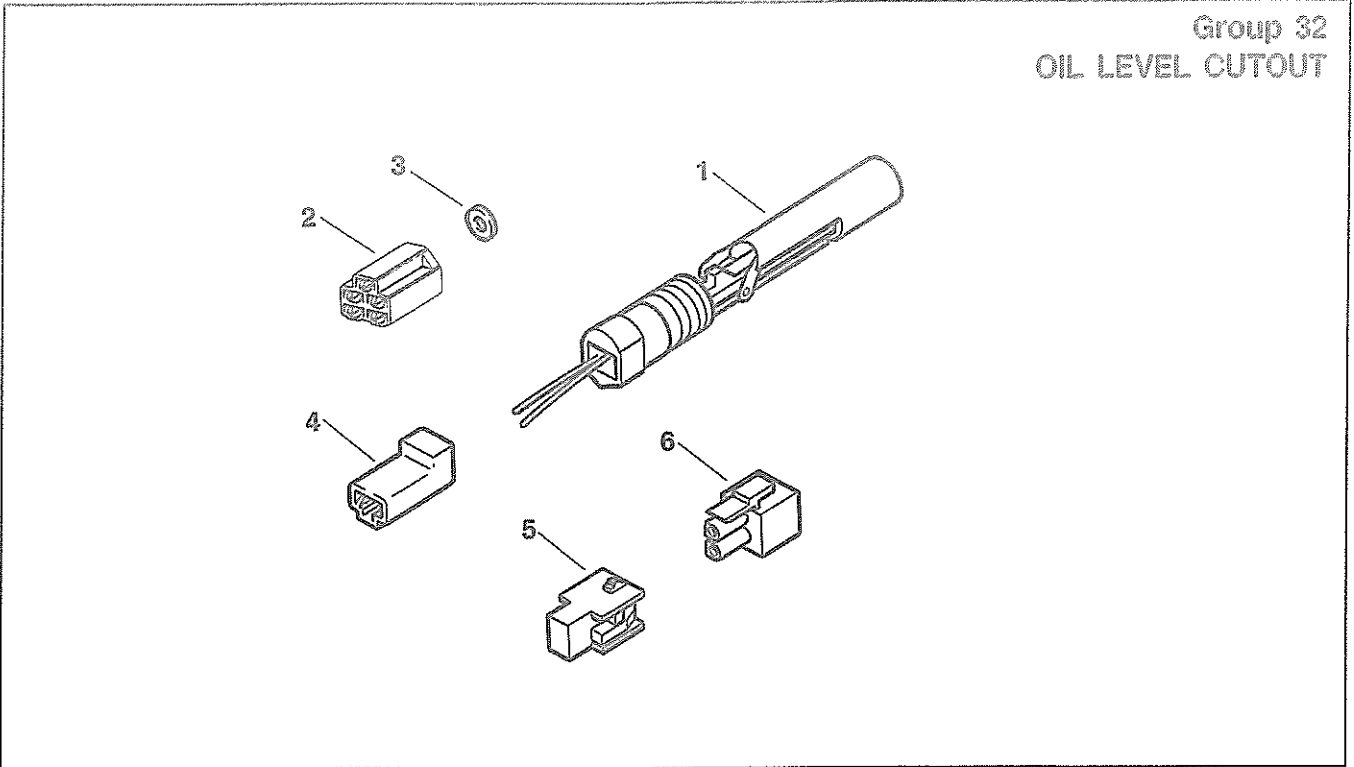
Index Number	Description Variation Number	Part Number	Index Number	Description Variation Number	Part Number
21	Screw, flange lock 10-24x1/4" (5) (Use after serial no. 2027800003) 500,501,502	41 086 06	26	Spring, keeper 13,500,501,502	12 089 06
21	Screw, flange lock 10-24x1/4" (5) 13	41 086 06	27	Pulley 13,500,501,502	12 093 01
22	Starter, retractable assembly (Includes 23-29) (Use after serial no. 2027800003) 500,501,502	12 165 01	28	Kit, pawl (dog) repair (Includes 29) 13,500,501,502	12 757 06
22	Starter, retractable assembly (Includes 23-29) 13	12 165 01	29	Screw, pozidriv 13,500,501,502	41 086 09
23	Housing 13,500,501,502	12 081 01	30	Cup, drive (Use after serial no. 2027800003) 500,501,502	15 109 01
24	Rope 13,500,501,502	12 160 01	30	Cup, drive 13	15 109 01
25	Handle, recoil starter 13,500,501,502	234452	31	Washer, flat (Use after serial no. 2027800003) 500,501,502	47 468 09
			31	Washer, flat 13	47 468 09

Group 24
REMOTE THROTTLE



Index Number	Description Variation Number	Part Number	Index Number	Description Variation Number	Part Number
1	Washer, plain 17/64x9/16x1/16" 500	X-25-72	4	Screw, R.H.M. 8-32x1" 5	X-51-3
2	Clip 500	47 154 01	5	Washer, lock #8 5	X-18-2
3	Control, throttle 5	235160	6	Washer, brass 11/64x3/8x1/32" 5	X-25-6

Group 32
OIL LEVEL CUTOUT



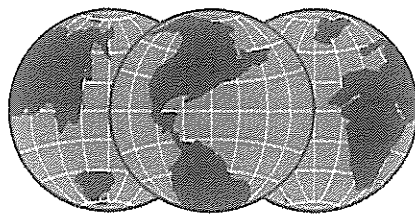
Index Number	Description Variation Number	Part Number	Index Number	Description Variation Number	Part Number
1	Kit, oil level switch (Includes decal 25 113 05, terminals: 25 431 02, 25 452 03, 25 452 07) 2, 5, 9, 500	25 704 03			
1	Kit, oil level switch (Includes decal 25 113 05, terminals: 25 452 01, 25 452 02, 25 452 03, 25 431 03) 3	25 704 04			
2	Connector 3	48 155 01			
3	Washer, plain 17/64x1/2x1/16" 5, 500	X-25-63			
4	Connector (Use before serial no. 1922900013) 5	277563			
5	Connector, receptacle 9	47 155 13			
6	Connector, plug 9	47 155 14			
				NOT ILLUSTRATED	
				Decal, oil sentry 2, 3, 5, 500	25 113 05
				Terminal (Ring tongue insulated grip) 2, 3, 5, 9, 500	25 452 03
				Terminal (Uninsulated locking tang, female push on tab 1/4" 2, 5, 9, 500	25 452 07
				Terminal (2) (Uninsulated locking tongue, female push on tab 1/4") 3	25 452 01
				Terminal (Ring tongue insulated grip) 3	25 452 02
				Sleeving 2, 5, 9, 500	25 431 02
				Sleeving 3	25 431 03

M14

Description	Part Number	Description	Part Number
GASKET SET (w/seals)	47 755 27	GASKET SET (w/o seals)	47 004 02
Set Includes:		Set includes:	
Plug, cup	X-702-3	Plug, cup	X-702-3
Seal, breather	231032	Seal, breather	231032
Gasket, camshaft cover	235025	Gasket, camshaft cover	235025
Gasket, valve cover	235048	Gasket, valve cover	235048
Gasket, oil pan	235057	Gasket, oil pan	235057
Gasket, exhaust	235122	Gasket, exhaust	235122
Gasket, oil fill tube	237064	Gasket, oil fill tube	237064
Gasket, cylinder head	47 041 15	Gasket, cylinder head	47 041 15
Gasket, valve cover	275144	Gasket, valve cover	275144
Seal, front oil	47 032 06	Gasket, fuel pump	25 041 05
Seal, rear oil	47 032 07	Gasket, fuel pump	25 041 09
Gasket, fuel pump	25 041 05	Gasket, air cleaner	47 041 05
Gasket, fuel pump	25 041 09	Gasket, oil pan	47 041 07
Gasket, air cleaner	47 041 05	Gasket, bearing plate	47 041 09
Gasket, oil pan	47 041 07	Gasket, carburetor	47 049 01
Gasket, bearing plate	47 041 09	Gasket, bearing plate (3)	47 422 05
Gasket, carburetor	47 049 01		
Gasket, bearing plate (3)	47 422 05		

1
2
3
4
5
6
7
8
9
10
11
12
13
14
15
16
17
18
19
20
21
22
23
24
25
26
27
28
29
30
31
32
33
34
35
36
37
38
39
40
41
42
43
44
45
46
47
48
49
50
51
52
53
54
55
56
57
58
59
60
61
62
63
64
65
66
67
68
69
70
71
72
73
74
75
76
77
78
79
80
81
82
83
84
85
86
87
88
89
90
91
92
93
94
95
96
97
98
99
100

THE NEW SHAPE OF KOHLER POWER



KOHLERengines

ENGINE DIVISION, KOHLER CO., KOHLER, WISCONSIN 53044

FOR SALES AND SERVICE INFORMATION
IN U.S. AND CANADA, CALL
1-800-544-2444

FORM NO.:	TP-2231-C
ISSUED:	3/86
REVISED:	9/91
MAILED:	10/91

LITHO IN U.S.A.