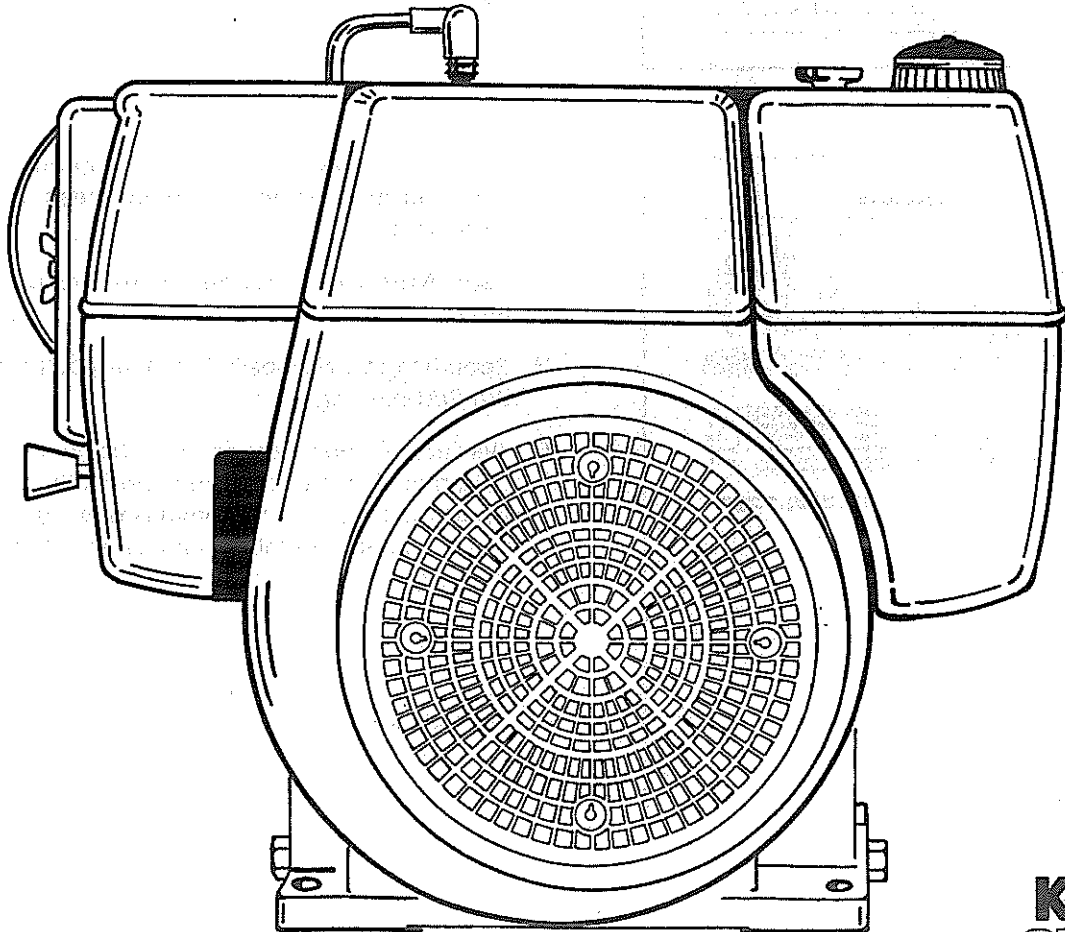


# PARTS MANUAL

# MAGNUM

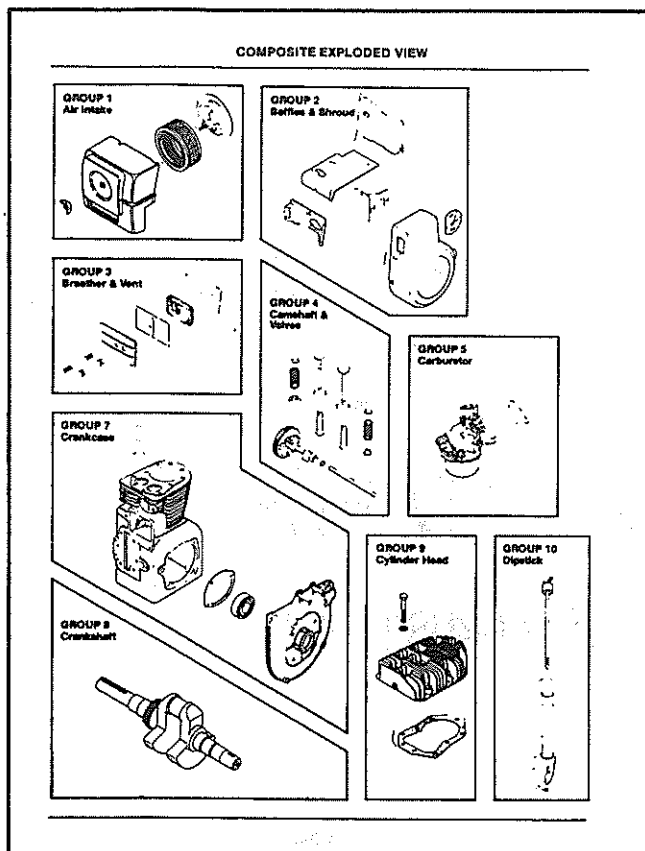
MODEL M10 10 HP

Engine Specs 461500-461541



**KOHLER**  
engines

# HOW TO FIND YOUR PART NUMBER



1. Turn the page of the parts manual to the "Composite Exploded View." Notice the boxed groupings identified by their function along with corresponding number. The group function and number applies to all engine models.

For Example:

Function (Group Description)	Group Number
Air Intake .....	1
Baffles & Shroud .....	2
Breather & Vent .....	3
Camshaft & Valves .....	4
Carburetor .....	5
Electric Starter .....	11
Ignition .....	18
etc.	

Remember the Group Number in which you located your part. (If the part you need is not illustrated, locate a major engine function related to your part and use that Group Number.)

**SPECIFICATION NUMBER INDEX**

Group Title & Number	Air Intake	Baffles & Shroud	Breather & Vent	Camshaft & Valves	Carburetor	Crankcase	Crankshaft	Cylinder Head	Dipstick	Electric Start	Exhaust	Eyeglass	Fuel Pump	Fuel Tank	Gear Reduction	Overhaul	Ignition	Instrument Panel	Oil Pan	Piston & Rod	Refrigerator Start	Green Kit	
Page	1	2	3	4	5	7	8	9	10	11	12	13	14	15	16	17	18	19	21	22	23	24	
Spec. No.	Variation Number																						
481500	578	175	512	26	76	213	105	80	568	44	717	502	508	578	727	544	548	1	1	1	1	27	
481501	578	172	512	26	76	213	105	80	568	44	715	502	508	578	727	544	548	1	1	1	1	27	
481502	578	171	512	26	76	213	105	80	568	578	44	718	502	566	578	726	543	558	1	1	1	1	27
481503	578	176	512	26	76	213	105	80	568	578	44	744	502	566	578	726	543	558	1	1	1	1	27
481518	578	172	512	26	76	213	105	80	568	578	44	768	502	566	578	726	544	558	1	1	1	1	27
481520	578	171	512	26	76	213	105	80	568	578	44	718	502	566	568	726	553	558	1	1	1	1	27

Contact your Kohler engine parts supplier for any specifications not listed. For MiniBlocks, Short Blocks, and Replacement Engines refer to Selection Guide TP-2249. See Page 26 for Decal information.

2. Now turn to the pages titled "Specification Number Index." When scanning these pages, you'll notice:

- Page Numbers indexing where Group Parts are listed;
- Specification Numbers listed vertically down the first column;
- "Variation" Numbers in the Group Number columns. (These numbers specifically identify a particular group (combination) of parts used in a particular model(s)—and is used to locate the specific part number.)

# HOW TO FIND YOUR PART NUMBER

M10

Group 1  
AIR INTAKE

Index Number	Description	Variation Number	Part Number	Index Number	Description	Variation Number	Part Number
1	Wing nut 1/4-20		X-278-7	6	Element		46 083 02
2	Cover, air cleaner		47 096 06	7	Seal		231032
3	Nut, jam 1/4-20		41 100 04	8	Bore, hex. wash. hd. 10-32 x 11/32 (3)		X-47-06
4	Cover, air cleaner element		53 082 04	9	Base, air cleaner		47 094 20
5	Pressure element		48 083 01				

3. Look at the illustration and the listing of the parts making up that group.

A. All parts in the illustration are identified (or indexed) with a number or letter. Use that identifier to locate that part description in the listing.

B. The "Variation" Number that you located in the Spec Index page is the number you should locate in the parts listing. It is a critical reference to correct part number identification.

C. Part Numbers are listed in the column to the right of Variation Numbers.

M10

There are several methods of repowering M10 engines to consider—with the choice depending on your shop facilities, repair costs, and allowable downtime of the engine.

- Engine Replacement:** When engine is to replace, use a Kohler Replacement Engine—No modifications required.
- Short Block Replacement:** When engine including the crankshaft is extensively damaged or worn internally. Refer to page 3 for short block components.
- Miniblock Replacement:** When bore, piston, and connecting rod are damaged but crankshaft and all other parts are in good condition. Refer to page 3 for miniblock components.
- Complete Overhaul:** Bore cylinders and regrind crankshaft, using appropriate oversize and/or undersize replacement parts.

This Selection Guide provides an easy reference for determining the part number of the Replacement Engine, Short Block, or Miniblock required for the repower method selected. It also lists the part number of the crankshaft installed in the original engine.

Locate the engine application number in the index below. Select the part number of the repair method listed in the adjacent columns.

ENGINE SPECIFICATIONS					
Engine Spec. No.	Engg. Service/Engine	Original Engine No.	Crankshaft	Replac. Short Block	Replac. Miniblock
481500*	481500*	47 142 02	—	47 782 32	
481501*	481501*	47 142 02	—	47 782 32	
481502*	481502*	47 142 02	—	47 782 32	
481503*	481503*	47 142 02	—	47 782 32	
481518	—	47 142 02	—	47 782 32	
481520	—	47 142 02	—	47 782 32	

\*Basic Engine

## Special Features

Near the end of the Parts Manual Binder is a separate section devoted to Service Engines, Short Blocks, and Miniblocks. "Selection Guides" for each model engine give several different methods of repairing Kohler engines . . . with the choice dependent on shop facilities, costs, and allowable downtime of the engine and/or the equipment.

Selection Guides are easy references for determining part numbers of Replacement Engines, Short Blocks, or Miniblocks for the repair method selected. They also list part numbers of crankshafts installed in original engines.

Here is what you'll find:

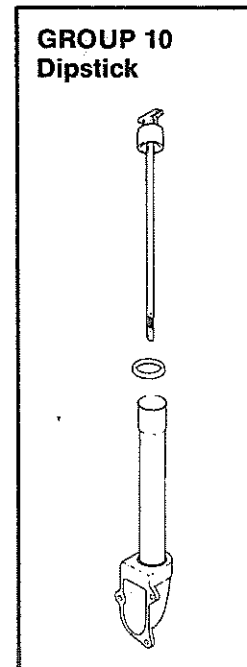
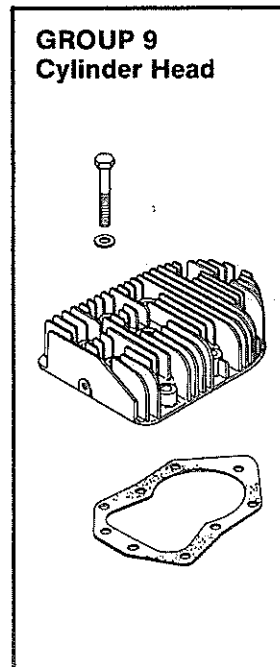
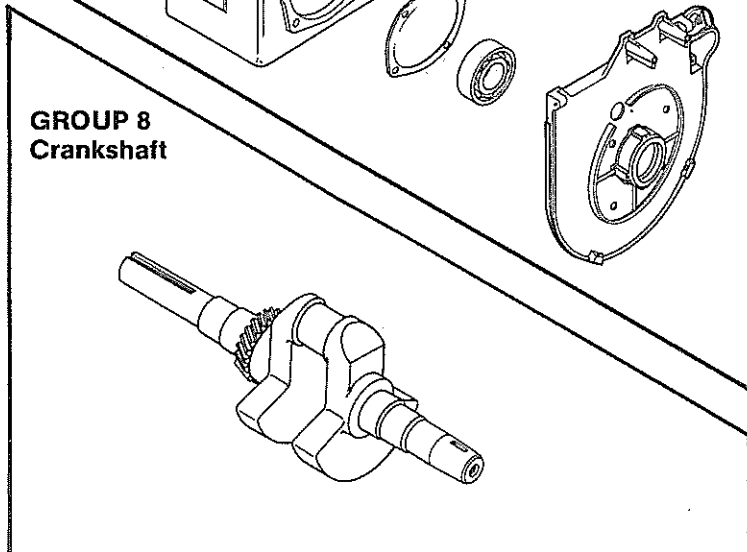
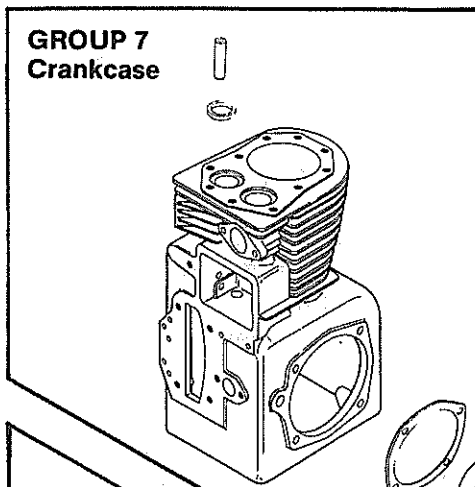
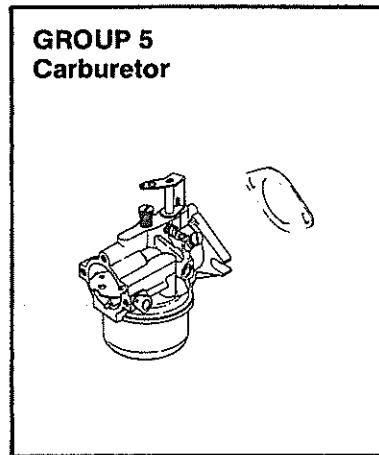
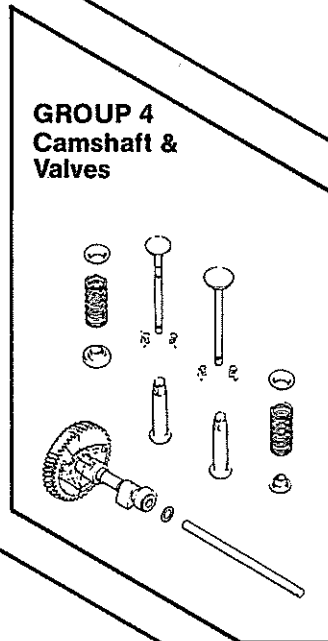
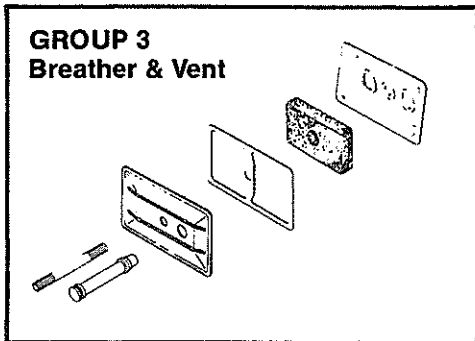
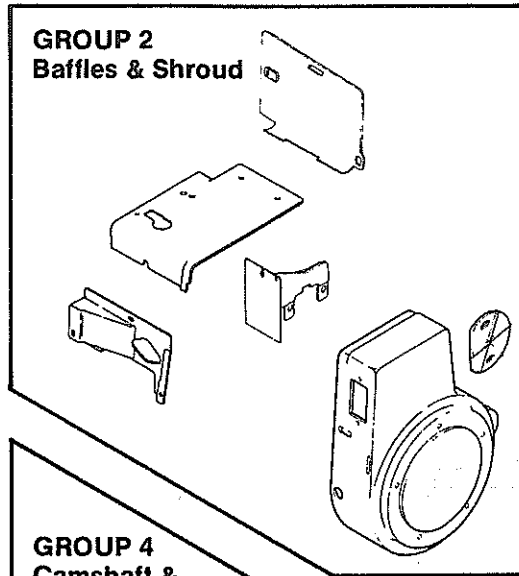
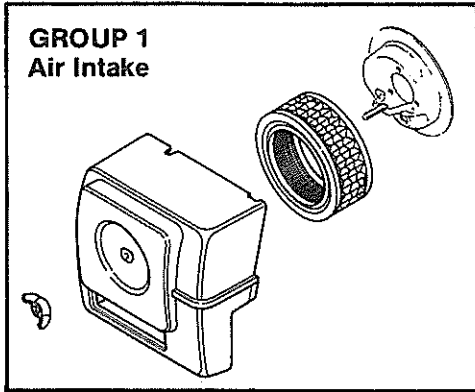
A. Engine model is identified on each page for easy reference;

B. Bold column heads identify the various repower options for every engine spec;

C. All crankshaft changes required for Service Engines or Replacement Engines are flagged with "Yes;"

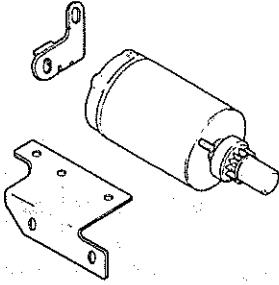
D. Service Engines, Replacement Engines, Short Blocks, and Miniblocks.

# COMPOSITE EXPLODED VIEW

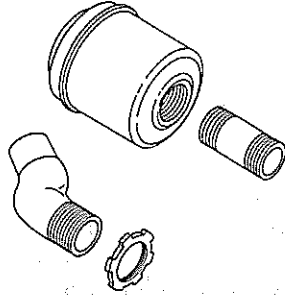


# COMPOSITE EXPLODED VIEW

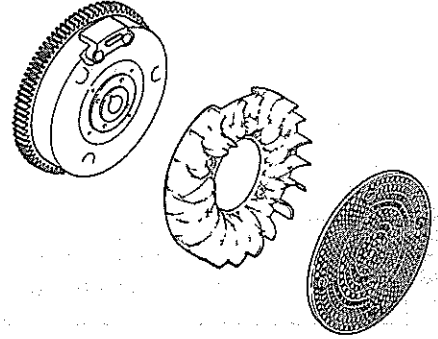
**GROUP 11**  
Electric Start



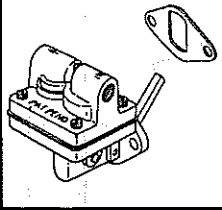
**GROUP 12**  
Exhaust



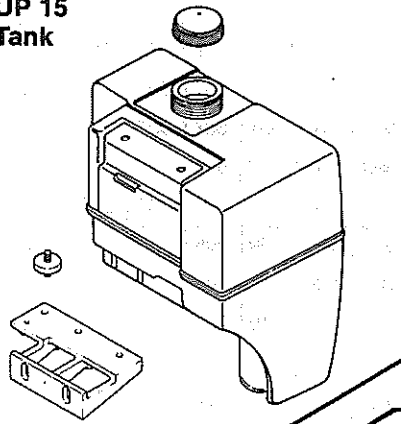
**GROUP 13**  
Flywheel



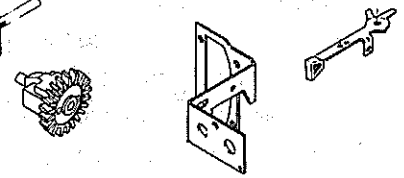
**GROUP 14**  
Fuel Pump



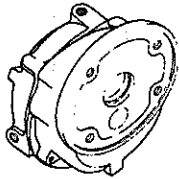
**GROUP 15**  
Fuel Tank



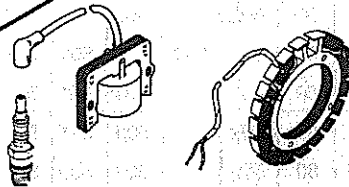
**GROUP 17**  
Governor



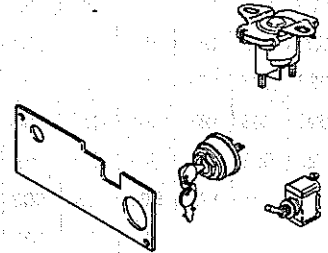
**GROUP 16**  
Gear Reduction



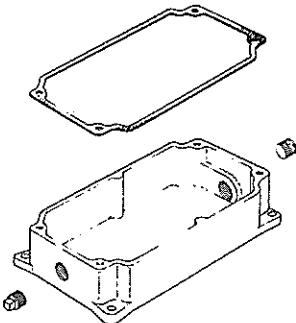
**GROUP 18**  
Ignition



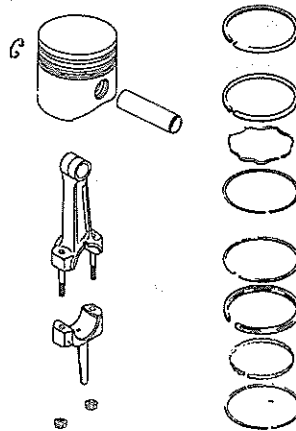
**GROUP 19**  
Instrument Panel



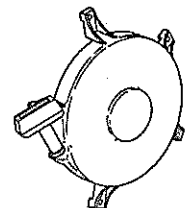
**GROUP 21**  
Oil Pan



**GROUP 22**  
Piston & Rod



**GROUP 23**  
Retractable Starter



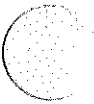
# M10

Group Title & No.	Air Intake	Baffles & Shroud	Breather & Vent	Camshaft & Valves	Carburetor	Crankcase	Crankshaft	Cylinder Head	Dipstick	Electric Start	Exhaust	Flywheel	Fuel Pump	Fuel Tank	Governor	Ignition	Instrument Panel	Oil Pan	Piston & Rod	Retractable Start	Throttle Cable	Oil Pressure Cutoff
	1	2	3	4	5	7	8	9	10	11	12	13	14	15	17	18	19	21	22	23	24	32
Page No.	8	10	12	13	14	15	17	18	19	20	21	22	24	26	27	31	33	35	36	37	38	39
Grid No.	A7	A9	A11	A12	A13	A14	B2	B3	B4	B5	B6	B7	B9	B11	B12	C2	C4	C6	C7	C8	C9	C10

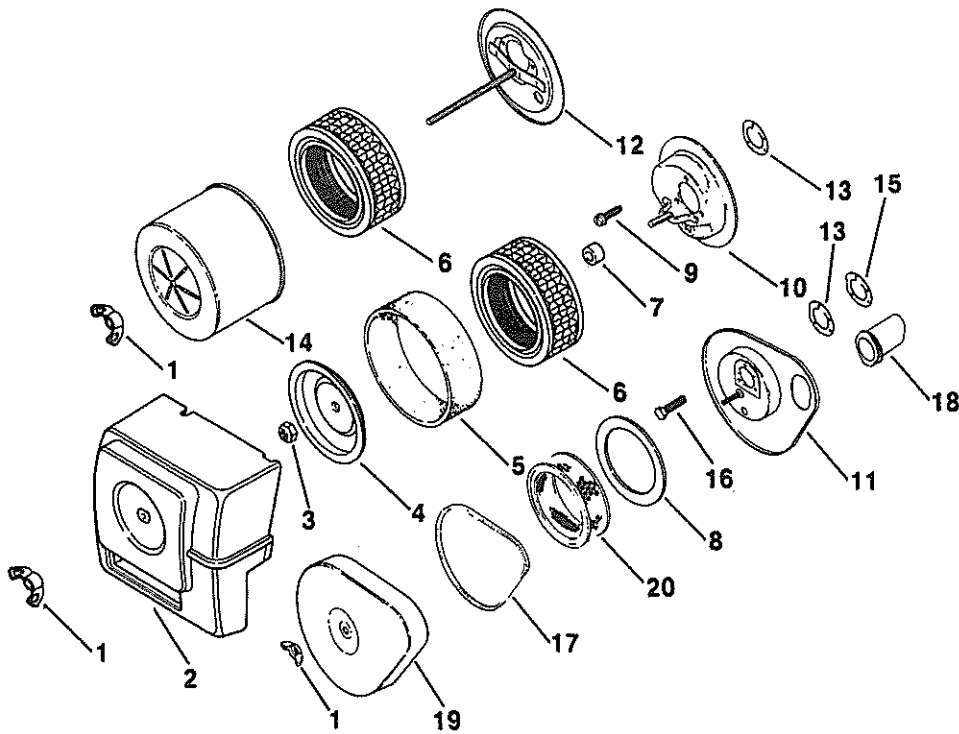
Spec No.	Variation Number																				
461500	505	173	501	26	502	213	105	60	502		44	502	507	507	512	501	501	503	1	503	
461501	505	172	501	26	502	213	105	60	502		44	500	507	507	512	501	501	503	1	501	
461502	505	176	501	26	502	213	105	60	502	500	44	501	507	507	511	500	500	503	1		
461503	505	176	501	26	502	213	105	60	502	500	44	506	507	507	511	500	500	503	1	501	
461504	505	172	501	26	502	216	107	60	502		44	500	507	507	503	501	502	503	1	501	
461509	506	188	502	26	500	226	112	60	501	501	501	509	506		510	503		502	1		
461513	503	186	501	26	500	222	73	60	502	500	505	512	505	504	506	502	508	54	1		
461517	505	175	501	26	76	215	109	60	502			510	503		501	501	501	54	1	502	
461518	505	172	501	26	76	213	105	60	502		44	508	502	502	501	504	501	503	1	501	
461520	505	171	501	26	78	213	105	60	502	500	44	501	507	507	504	500	503	503	1		
461521	508	181	501	26	501	220	105	60	503	501	501	507	500		508	507		505	1		26 501
461522	505	181	501	26	501	224	75	60	56	501		501	69		502	505		500	1		
461523	505	172	501	26	76	215	105	60	502		503	500	504	500	501	501	504	503	1	501	
461524	507	183	501	26	501	223	104	60	500	501		501	508		505	505		500	1		
461525	505	171	501	26	76	216	110	60	502	500	504	501	507	507	500	500	500	503	1		
461526	503	187	501	26	500	222	73	60	502	500	505	511	505	505	506	500	507	54	1		
461527	505	172	501	26	76	215	105	60	502		503	500	507	503	501	501	504	504	1	500	500
461528	505	172	501	26	502	213	105	60	502		44	500	507	503	512	501	501	504	1	501	500
461529	505	171	501	26	502	213	105	60	502	500	44	501	507	503	511	500	500	504	1		500
461530	505	172	501	26	502	216	107	60	502		44	500	507	503	503	501	502	504	1	501	500
461531	505	171	501	26	502	216	107	60	502	500	44	501	507	503	503	500	503	504	1		500
461532	503	185	501	500	500	224	105	60	502	500	500	501	507	503	513	501	506	503	1		
461533	508	181	501	26	501	220	105	60	503	501	501	501	500		508	507		505	1	26	502
461534	506	177	502	26	501	227	111	60	503	502	501	504	509		509	503		501	1		
461535	505	172	501	26	76	216	75	60	502		44	500	507	507	512	501	501	503	1	501	
461536	505	176	501	26	76	216	75	60	502	500	44	506	507	507	511	500	500	503	1	501	
461537	504	189	501	26	76	213	105	60	502		505	500	507	506	501	501	501	54	1	501	
461539	505	172	501	26	502	216	105	60	502		44	500	507	507	503	501	502	503	1	501	
461540	505	171	501	26	502	213	105	60	502	500		501	507	507	511	500	500	503	1		
461541	505	172	501	26	502	213	47	60	502		44	500	507	503	512	501	501	504	1	501	500

Contact your Kohler engine parts supplier for any specifications not listed.

For Miniblocks, Short Blocks, and Replacement Engines, refer to Selection Guide TP-2249-B.



**Group 1  
AIR INTAKE**

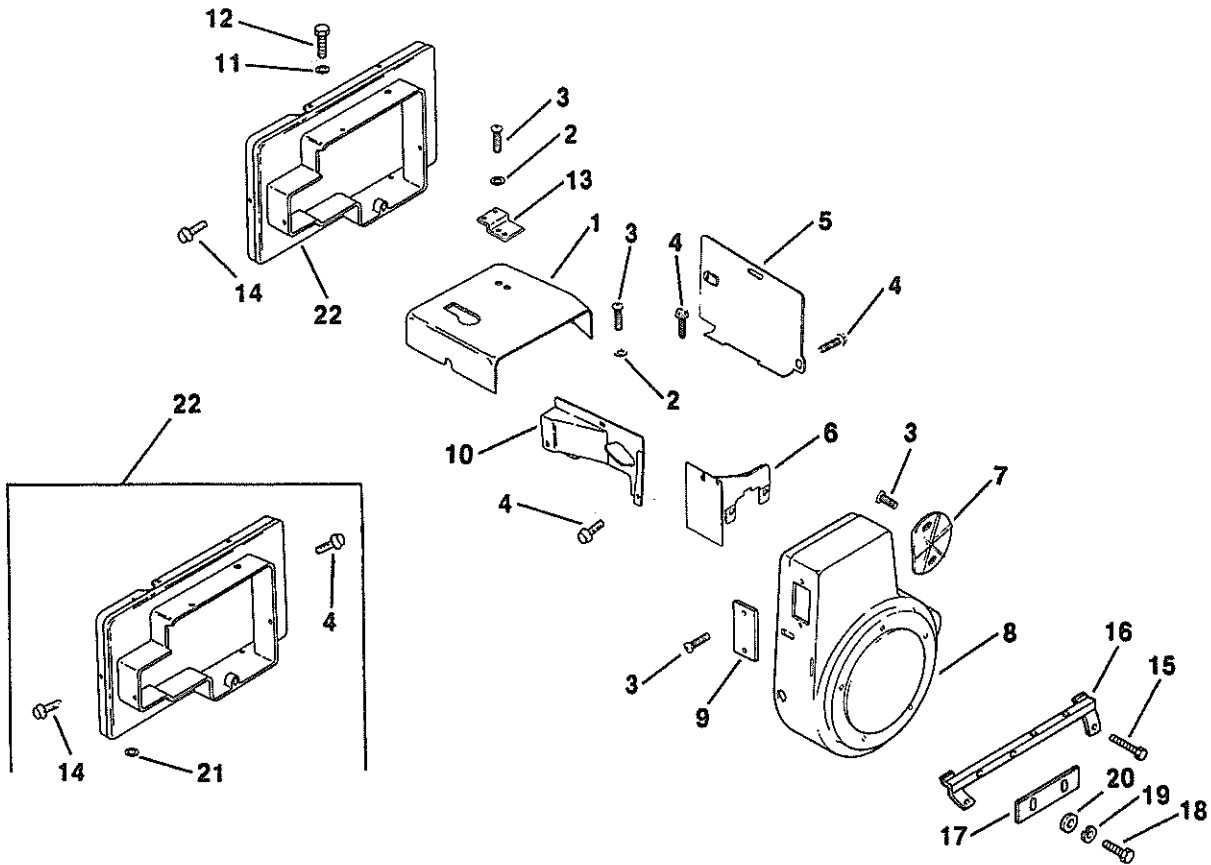


Index Number	Description Variation Number	Part Number	Index Number	Description Variation Number	Part Number
1	Wing Nut 1/4-20 503, 504, 505, 506, 507, 508	X-276-7	6	Element 506	235116
2	Cover, air cleaner (Replaced by 47 096 08) 505	47 096 05	7	Seal 503, 504, 505, 507, 508	231032
2	Cover, air cleaner (Replaced by 47 096 09) 503	47 096 13	8	Seal 506	237423
2	Cover, air cleaner 506	237848	9	Screw, hex. wash. hd. 10-32 x 11/32" (3) 503, 504, 505, 507, 508	X-67-65
2	Cover, air cleaner 505	47 096 08	10	Base, air cleaner 503, 504, 505, 507, 508	47 094 20
	Before Serial Number 1918100013 use: After Serial Number 1918100003 use:	47 096 12	11	Base, air cleaner 506	47 094 11
2	Cover, air cleaner 508	47 096 10	12	Base, air cleaner 506	237424
3	Nut, jam, 1/4-20 503, 504, 505, 507, 508	41 100 04	13	Gasket, air cleaner 503, 505, 506, 507, 508	45 041 07
4	Cover, air cleaner element 503, 504, 505, 507, 508	52 082 04	14	Cover, air cleaner 504, 506, 507	45 082 01
5	Precleaner, element 503, 505, 506, 507, 508	45 083 01	15	Spacer 506	47 112 20
6	Element 503, 504, 505, 507, 508	45 083 02	16	Screw hex. hd., 10-32 x 15/16" (3) 506	47 086 19
			17	Seal, cover 506	47 032 03



Index Number	Description Variation Number	Part Number	Index Number	Description Variation Number	Part Number
18	Tube, air 506	47 134 02	Not Illustrated		
19	Cover 506	47 082 01		Decal, air cleaner 504, 505, 508	41 113 02
20	Element 506	47 083 01		Decal, air cleaner 506, 507	25 113 07
				Decal, air cleaner 504	25 113 08

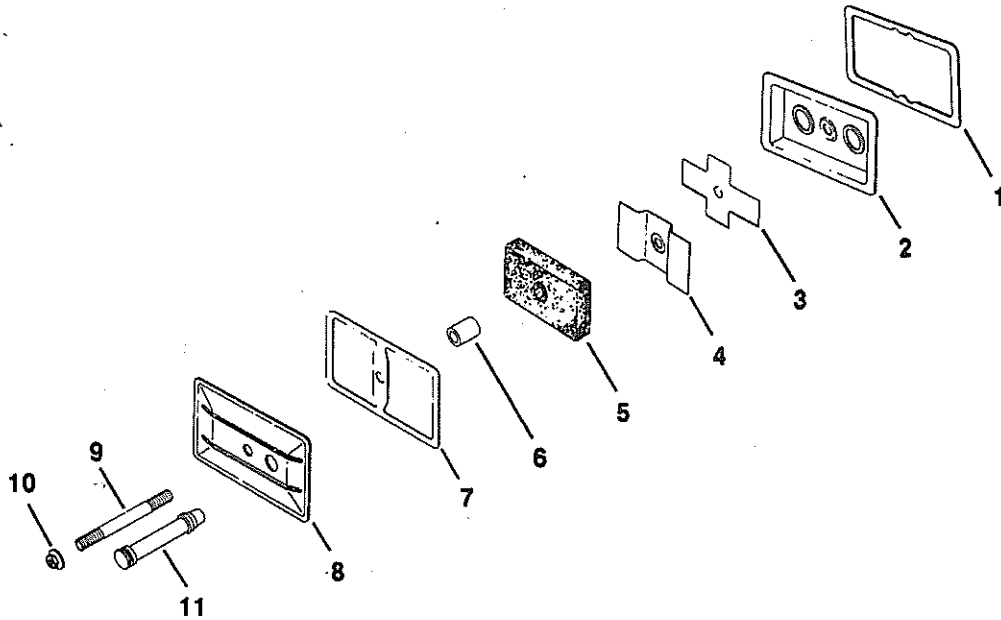
**Group 2  
BAFFLES & SHROUD**



Index Number	Description Variation Number	Part Number	Index Number	Description Variation Number	Part Number
1	Baffle, head 171, 172, 173, 176, 185, 186, 187, 189	47 063 08	5	Baffle, cylinder 186	47 063 13
1	Baffle, head 175, 177, 181, 183, 188	47 063 09	6	Baffle, inner 171, 172, 173, 175, 176, 177, 181, 183, 185, 186, 187, 188, 189	47 063 07
2	Washer, plain 1/4" 171, 172, 173, 175, 176, 177, 181, 183, 185, 186, 187, 188, 189	X-25-53	7	Cover, starter 172, 173, 175	41 096 25
3	Screw, pozidriv T.H. 1/4-20 x 5/8" 171, 176, 177, 181, 185, 187, 188	47 086 08	7	Cover, starter (Replaced by 47 096 08) 189	41 096 05
3	Screw, pozidriv T.H. 1/4-20 x 5/8" (2) 183	47 086 08	8	Housing, blower (w/o Retractable Starter holes - Front) 171, 173	47 027 37
3	Screw, pozidriv T.H. 1/4-20 x 5/8" (3) 175, 181, 185, 186	47 086 08	8	Housing, blower 177, 188	47 027 40
3	Screw, pozidriv T.H. 1/4-20 x 5/8" (5) 172, 173, 175, 176, 189	47 086 08	8	Housing, blower 181, 188	47 027 42
3	Screw, pozidriv T.H. 1/4-20 x 5/8" (2) 183	47 086 08	8	Housing, blower 183, 185, 186, 187	47 027 44
4	Screw, hex. wash. hd. 1/4-20 x 5/8" (8) 177, 188	52 086 11	8	Housing, blower (w/ Retractable Starter holes - Front) 172, 175, 176, 189	47 027 38
4	Screw, hex. wash. hd. 1/4-20 x 5/8" (6) 171, 172, 173, 175, 176, 177, 181, 183, 185, 186, 187, 188, 189	52 086 11	9	Cover, rectifier-regulator 172, 173, 175, 181, 185, 186, 189	41 096 23
5	Baffle, cylinder 171, 172, 173, 175, 176, 177, 181, 183, 185, 187, 188, 189	47 063 10	10	Baffle, side air 171, 172, 173, 175, 176, 177, 181, 185, 188	47 063 06
			10	Baffle, side air 183, 186, 187, 189	47 063 11
			11	Washer, plain 1/4" 177, 186, 188	X-25-20

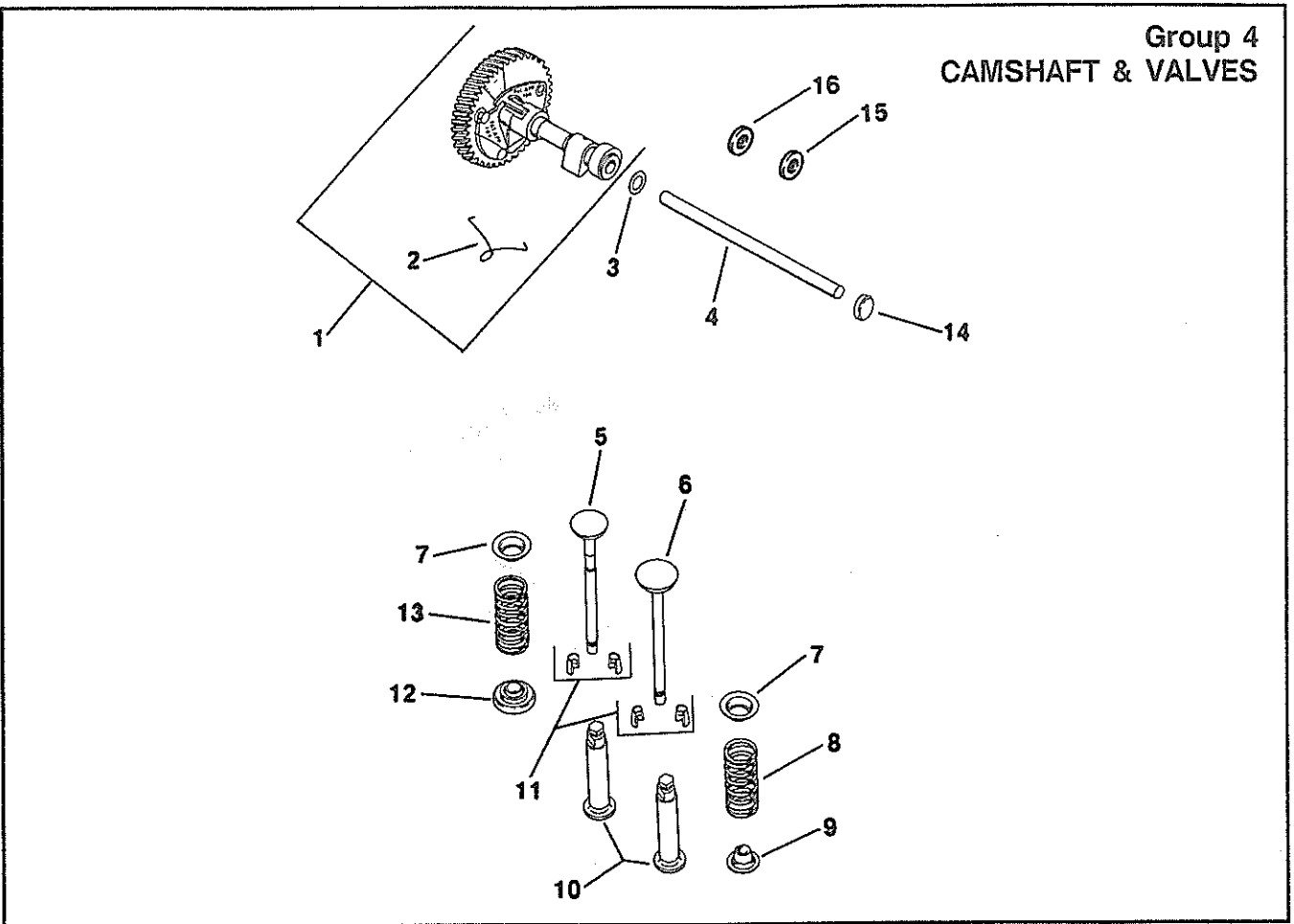
Index Number	Description Variation Number	Part Number	Index Number	Description Variation Number	Part Number
12	Screw, 5/16 x 1-1/4" 177, 188	X-154-4	20	Washer, plain 3/16" (4) 183	25 468 02
12	Screw, 5/16-18 x 1/2" 186	X-154-6	21	Washer, plain 7/32" 177, 188	X-25-36
13	Bracket, duct 177, 188	47 126 23	22	Kit, air duct (Includes 4, 14, 21) 177, 188	47 755 33
14	Screw, 10-32 x 7/16" 177, 188	X-67-64	22	Kit, air duct (Includes 4, 14, 21) 188	47 755 32
15	Screw, flange lock 183	41 086 06	Not Illustrated		
16	Deflector, grass 183	47 265 01	Decal, warning (white) 183		
17	Blade, adjusting 183	47 040 02	Decal, H.P. (white) (Replaced by 47 113 18) 172, 183, 185, 187		
18	Screw, self-tapping 8-32 x 3/8" (4) 183	X-67-59	47 113 04		
19	Washer, lock #8 (4) 183	X-22-7			

**Group 3  
BREATHER & VENT**



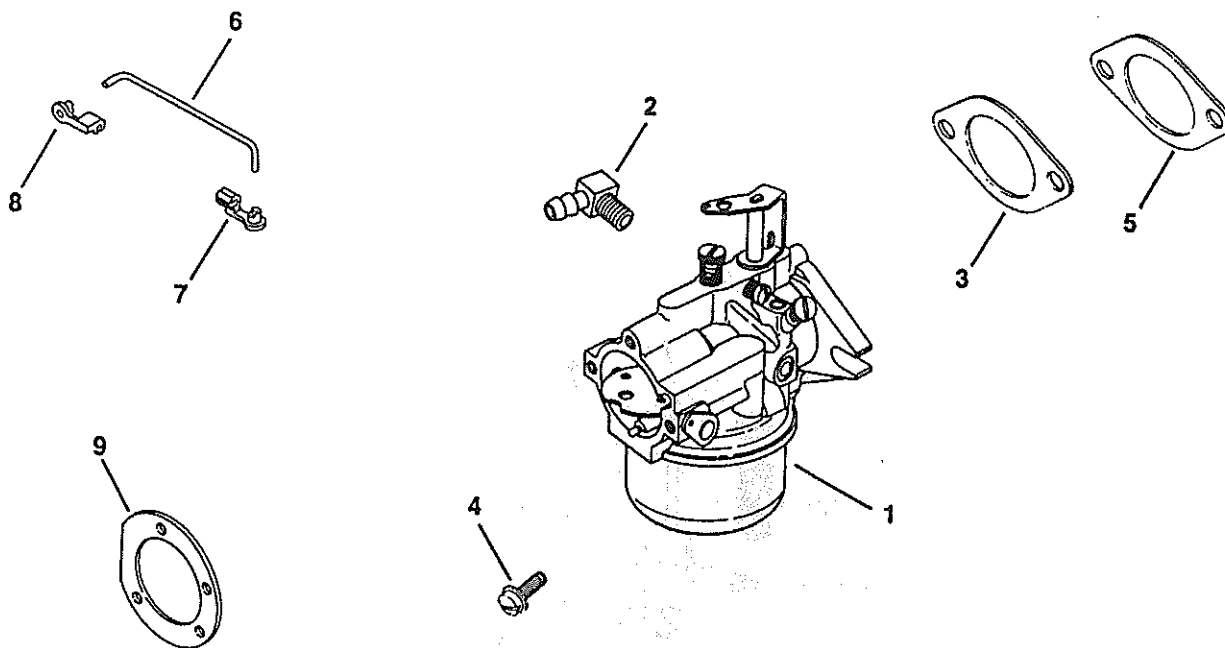
Index Number	Description Variation Number	Part Number	Index Number	Description Variation Number	Part Number
1	Gasket, breather plate 501,502	235048	7	Gasket, valve cover 501,502	275144
2	Plate, breather 501,502	235631	8	Cover, valve 501,502	47 096 01
3	Reed, breather 501,502	235047	9	Stud 1/4-20 x 3-1/4" 501,502	275220
4	Baffle, breather 501,502	270146	10	Palnut 1/4-20 501,502	X-799-1
5	Filter, breather 501,502	47 050 01	11	Hose, breather 3-11/32" lg. 501	47 326 03
6	Seal, breather 501,502	231032	11	Hose, breather 3-29/32" lg. 502	47 326 04

Group 4  
CAMSHAFT & VALVES



Index Number	Description Variation Number	Part Number	Index Number	Description Variation Number	Part Number
1	Camshaft assembly (Includes 2) 26	47 010 11	9	Retainer, spring 26, 500	230011
1	Camshaft assembly 500	47 012 07	10	Tappet 26, 500	D-235327
2	Spring, actuating 26	47 089 01	11	Kit, retainer (2) 26	41 755 10
3	Spacer, .005" (A.R.) 26, 500	275066	12	Rotator (Replaced by 52 413 01) 26	230020
3	Spacer, .010" (A.R.) 26, 500	275067	12	Rotator 26, 500	52 413 01
4	Pin, camshaft 26, 500	47 380 09	13	Spring, exhaust valve 26, 500	235010
5	Valve, exhaust 26, 500	235838	14	Plug, cup 1/2" O.D. 26, 500	X-702-3
6	Valve, intake 26, 500	235008	15	Washer, brass 26, 500	X-25-91
7	Retainer, upper spring (2) 26, 500	235011	16	Washer, plain (2) 26, 500	X-25-92
8	Spring, intake valve 26, 500	235168			

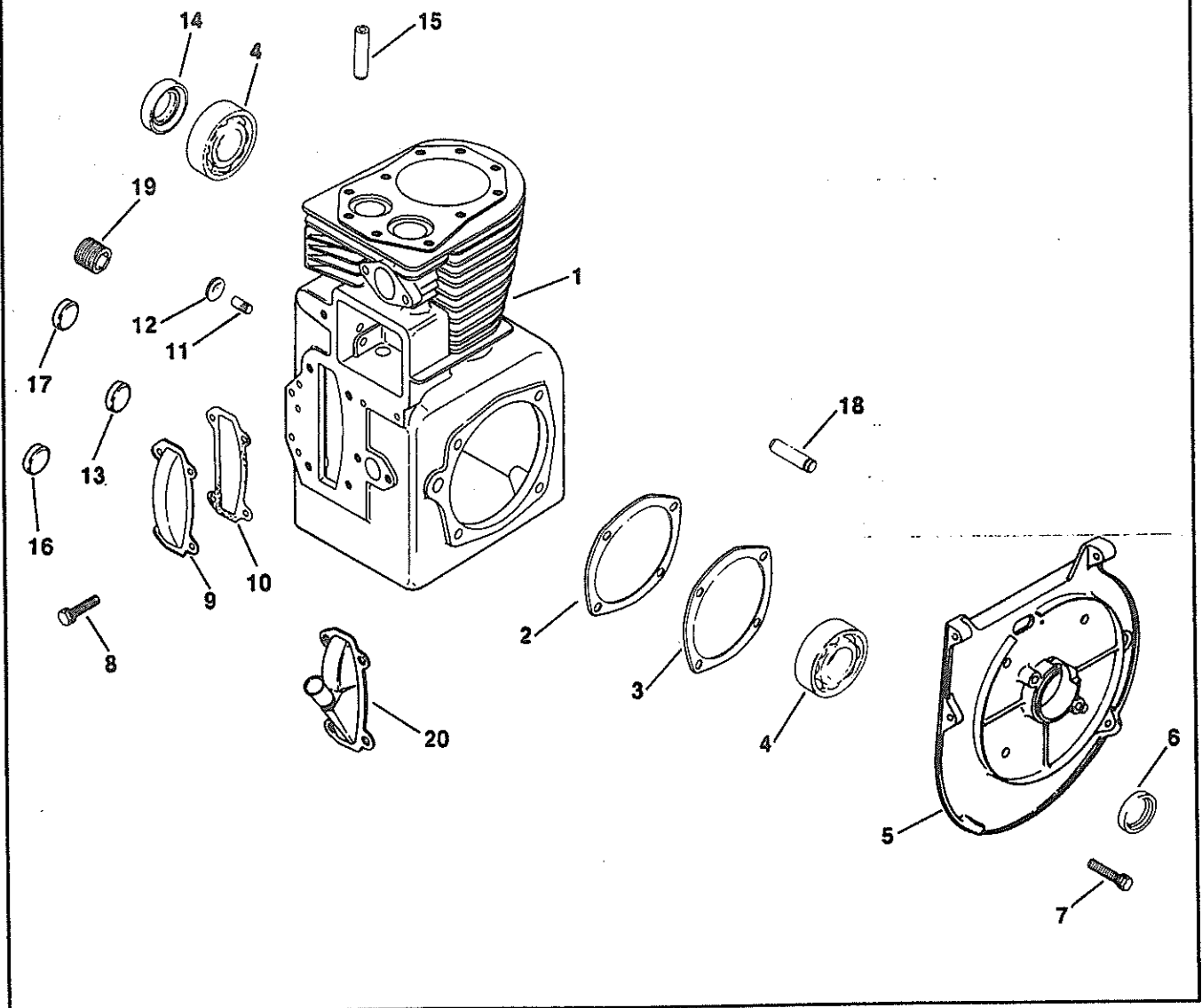
**Group 5  
CARBURETOR**



Index Number	Description Variation Number	Part Number	Index Number	Description Variation Number	Part Number
<p>Refer to Section 3 of Carburetor Reference Manual TP-2377-D, located in Miscellaneous Special Service Parts Information Section of your Master Manual, for breakdown of the following carburetor assemblies:</p>					
1	Carburetor assembly 500, 501		2	Connector, 90° hose (For 1/4" I.D. rubber hose) 76, 78, 500, 501, 502	25 155 02
	Before Serial No. 1725300013 use: Adjustable jet assembly (Includes 9)	47 053 62	3	Gasket, carburetor 76, 78, 500, 501, 502	47 049 01
	After Serial No. 1725300003 use: Kit, fixed jet w/linkage (Includes Carburetor marked 47 053 65* and 3, 5, 6, 7, 8, 9)	47 853 09	4	Screw, sltd. hd. 5/16-18 x 1" (2) 76, 78, 500, 501, 502	X-770-1
	-or use- Kit, variable jet w/linkage (Includes Carburetor marked 47 053 86* and 3, 5, 6, 7, 8, 9)	47 853 20	5	Gasket, carburetor 500, 501	271030
1	Carburetor assembly 76, 78, 502		6	Linkage, governor 500	47 079 11
	Before Serial No. 1727207134 use: Adjustable jet assembly (Includes 9)	47 053 40	6	Linkage, governor 501	47 079 10
	After Serial No. 1727207133 use: Kit, fixed jet (Includes Carburetor marked 47 053 74* and 3, 9)	47 853 10	7	Bushing, linkage (white) 500, 501	47 158 07
	-or use- Kit, variable jet (Includes Carburetor marked 47 053 74* and 3, 9)	47 853 25	8	Bushing, linkage (black) 500, 501	25 158 09
			9	Gasket, air cleaner 76, 78, 500, 501	45 041 07

\* Marked numbers are for information only, not available separately.

Group 7  
CRANKCASE



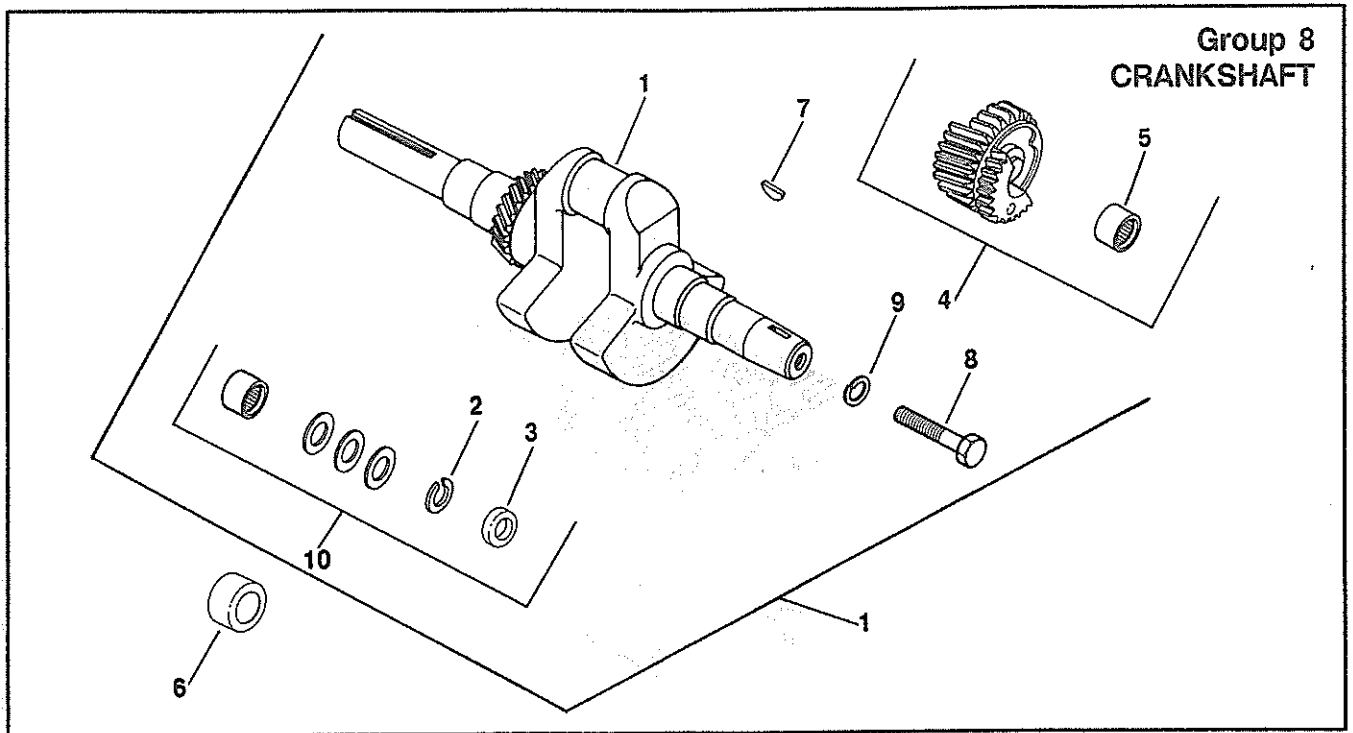
Index Number	Description Variation Number	Part Number	Index Number	Description Variation Number	Part Number
1	Cylinder Block (Service with a SHORT BLOCK or MINIBLOCK. Refer to M10 Selection Guide TP-2249-B.)		7	Screw, H.C. sems 3/8-16 x 1" (4) 213, 215, 216, 220, 222, 223, 224, 226, 227	X-159-2
2	Gasket, shim (A.R.) 213, 215, 216, 220, 222, 223, 224, 226, 227	47 422 05	8	Screw, H.C. sems 1/4-20 x 5/8" (4) 213, 215, 216	X-132-5
3	Gasket, bearing plate 213, 215, 216, 220, 222, 223, 224, 226, 227	47 041 09	8	Screw, H.C. 1/4-20 x 1/2" 220, 222, 223, 224, 226, 227	X-132-6
4	Bearing, ball (2) 213, 215, 216, 220, 222, 223, 224, 226, 227	235376	9	Cover, camshaft 213, 215, 216, 220, 222, 223, 224, 226, 227	235026
5	Plate, bearing 213, 215, 216, 220, 222, 223, 224, 226	47 146 11	10	Gasket, camshaft cover 213, 215, 216, 220, 222, 223, 224, 226, 227	235025
6	Seal, front oil 213, 215, 216, 220, 222, 223, 224, 226, 227	47 032 06	11	Shaft, governor gear 213, 215, 216, 220, 222, 223, 224, 226, 227	235125-S

**CRANKCASE  
(Cont'd)**

**M10**

Index Number	Description Variation Number	Part Number	Index Number	Description Variation Number	Part Number
12	Plug, expansion 213, 215, 216, 220, 222, 223, 224, 226, 227	X-230-11	16	Plug, cup 5/16" O.D. 213, 215, 216, 220, 222, 224	X-702-12
13	Plug, cup 1/2" O.D. 213, 215, 216, 220, 223, 224, 226	X-702-3	17	Plug, S.P.O.F. 226	X-702-14
14	Seal, rear oil 213, 215, 216, 220, 222, 223, 224, 226, 227	47 032 07	18	Shaft (2) 222, 226, 227	236559
15	Guide, valve (2) 213, 215, 216, 220, 222, 223, 224, 226, 227	235007-S	19	Plug, hex., ctsk., 3/4", N.T.P.F. 223	47 139 01
			20	Cover, cam 226	237623



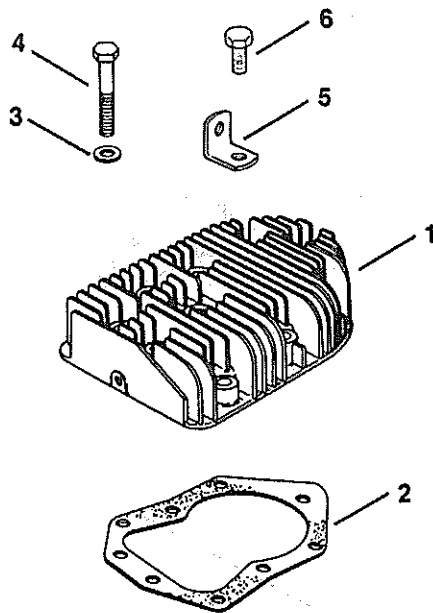


Index Number	Description Variation Number	Part Number	Index Number	Description Variation Number	Part Number
1	Kit, crankshaft (1" dia. x 3") (Includes 7-10) 47	47 142 11	2	Retainer (2) 73, 111, 112	X-269-34
1	Crankshaft (1-1/4" dia. x 5-1/2" standard basic) 105	47 142 02	3	Spacer, balance gear (2) 73, 111, 112	237769
1	Crankshaft (1-1/8" dia. x 4-3/8") 75	47 142 01	4	Gear assembly (2) (Includes 5) 73, 111, 112	45 043 03
1	Crankshaft (3/4" step - 5/8" step x 3-1/8" basic generator) 104	47 142 14	5	Bearing, needle 73, 111, 112	47 030 01
1	Crankshaft (Tapered end x 5-5/8") 107	47 142 08	6	Bushing 47, 104, 105, 107, 109, 112	47 158 05
1	Crankshaft (1" dia. x 3-1/4") 109, 112	47 142 15	7	Key, woodruff 3/16" x 1" 47, 73, 104, 105, 107, 109, 110, 112	X-46-3
1	Crankshaft (1" dia. x 4-5/8") 110	47 142 10	8	Screw 47, 73, 104, 105, 107, 109, 110, 112	25 086 24
1	Crankshaft (1-1/4" dia. x 5-1/2" standard basic) 73	47 014 68	9	Washer 47, 73, 104, 105, 107, 109, 110, 112	52 468 15
1	Crankshaft (1" dia. x 5-1/2") 111	47 014 83	10	Kit, dynamic balance gear spacer (Includes 2, 3) 73, 111, 112	47 755 01

\*Crankshaft contains internal fastening threads. Kits include flywheel fastening hardware (a woodruff key, washer, screw and drive cup bushing). See flywheel group for part numbers. Crankshaft dimensions listed are for PTO end, outside the cylinder block.

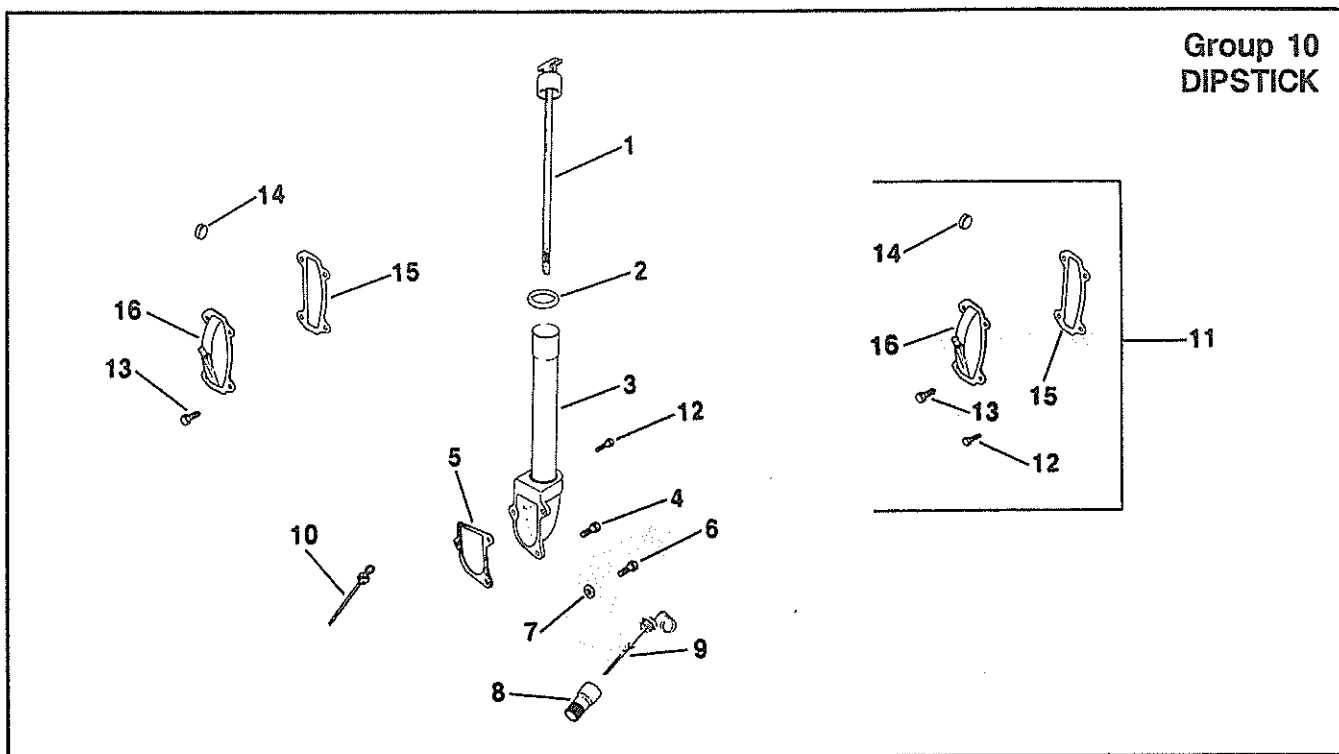
# M10

## Group 9 CYLINDER HEAD



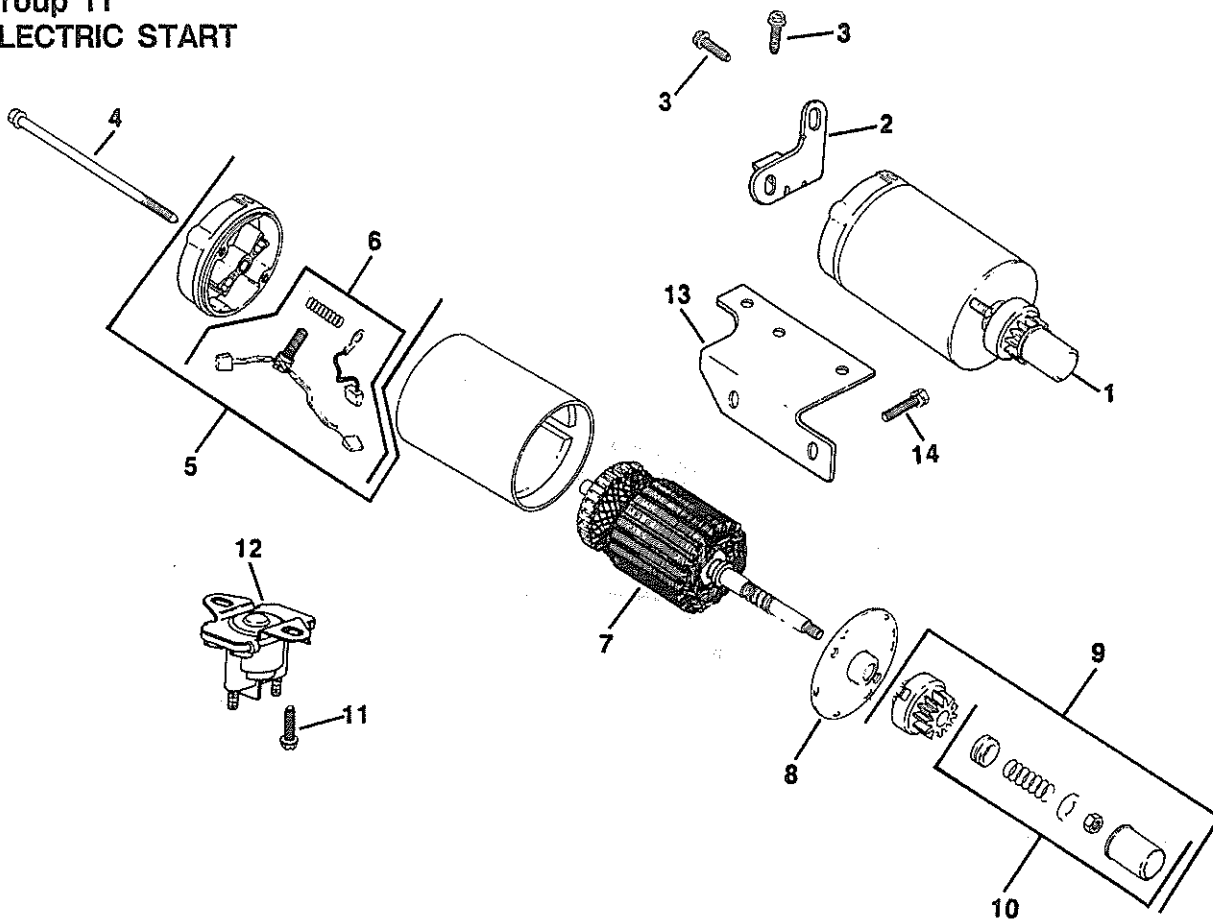
Index Number	Description Variation Number	Part Number	Index Number	Description Variation Number	Part Number
1	Head, cylinder 60	47 015 05	4	Screw, H.C. 3/8-16 x 1-1/2" (8) 60	270158
2	Gasket, head (Replaced by 47 041 15) 60	47 041 10	5	Strap, lifting (Replaced by 47 445 02) 60	47 445 01
3	Washer, plain 3/8" (9) 60	270889	6	Screw, hex. hd. 3/8-16 x 1" 60	47 086 17

Group 10  
DIPSTICK



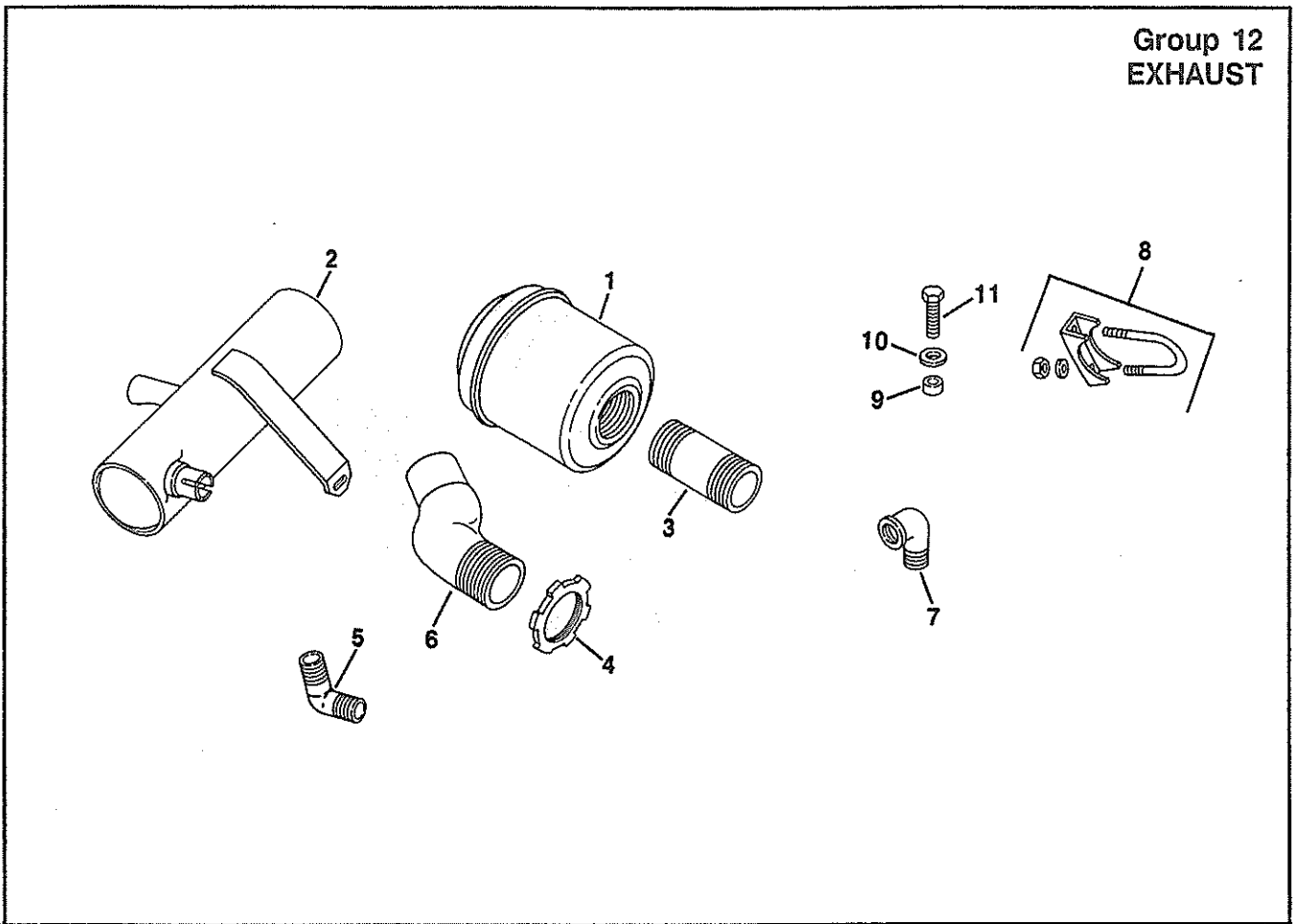
Index Number	Description Variation Number	Part Number	Index Number	Description Variation Number	Part Number
1	Dipstick, 15-5/8" blade 56, 502	47 038 26	9	Dipstick, 4-3/4" blade 500	237013
1	Dipstick, 15-3/8" blade 503	47 038 27	10	Dipstick 501	237620
2	O-Ring, 51/64" I.D. 56, 502, 503	41 153 01	11	Kit, camshaft cover and dipstick (Includes 12-16) 501	47 755 35
3	Adapter, oil fill 56, 502, 503	47 029 06	12	Screw, H.C. sems 1/4-20 x 5/8" (4) 501	X-132-5
4	Screw, F.H. sems 10-24 x 1/2" (3) 502, 503	X-131-2	13	Screw, H.C. sems 3/8-16 x 1" (4) 501	X-159-2
5	Gasket, adapter 56, 502, 503	237064	14	Plug, cup 501	X-702-12
6	Screw, hex. hd. 10-24 x 1/2" 56	25 086 30	15	Gasket, cam cover 501	235025
7	Washer, I. T. #10 56	X-22-9	16	Cover Assembly, gear 501	237623
8	Tube, oil fill 500	47 123 08			

**Group 11  
ELECTRIC START**



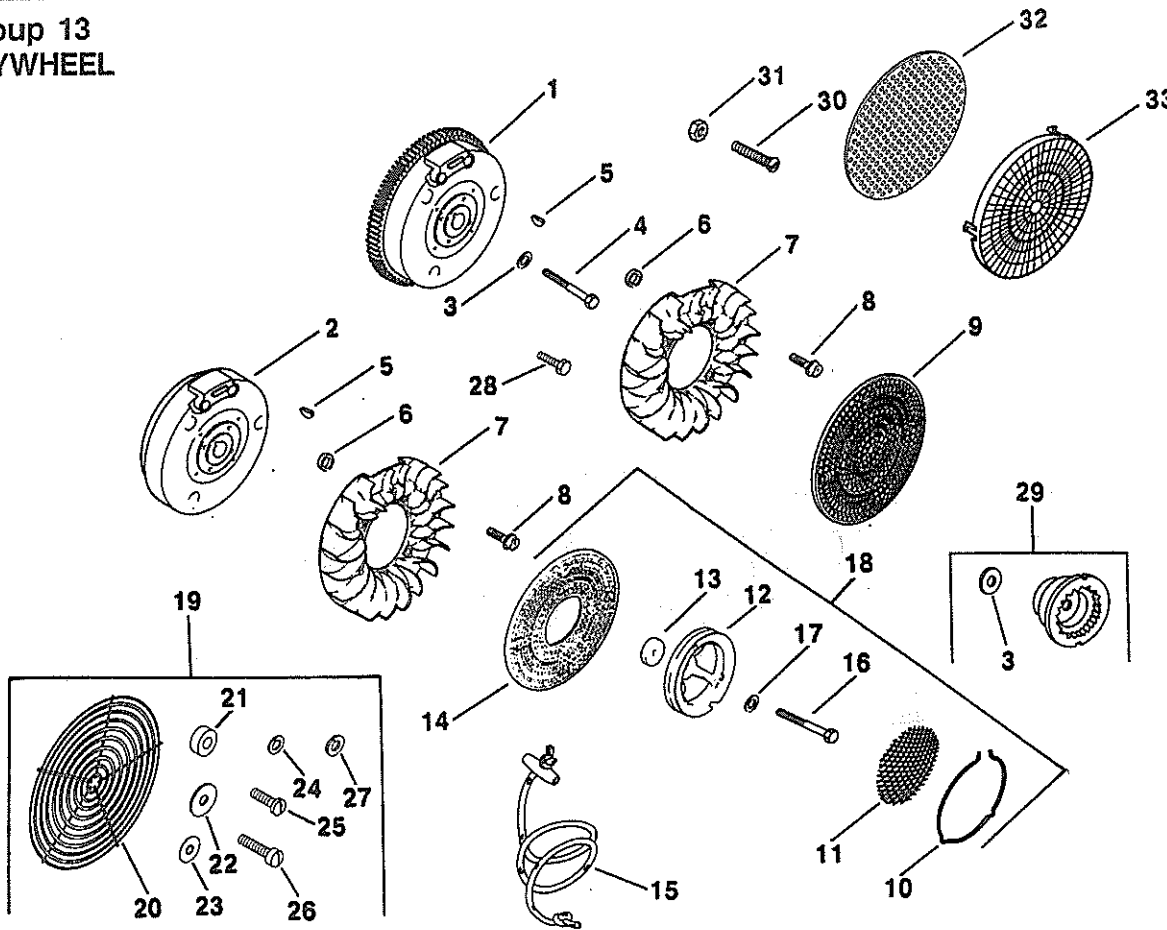
Index Number	Description Variation Number	Part Number	Index Number	Description Variation Number	Part Number
1	Starter assembly (Includes 5-11) 500, 501, 502	41 098 04	10	Kit, drive parts 500, 501, 502	47 755 13
2	Brace, tail 500, 501, 502	45 126 17	11	Screw, self-tap. 1/4-20 x 3/8" 500, 501, 502	X-67-83
3	Screw, hex. wash. hd. 1/4-20 x 3/4" (2) 500, 501, 502	X-67-62	12	Solenoid, one tab terminal (Replaced by 25 435 01) 500	52 435 01
4	Bolt, thru, 1/4-20 x 5-1/16" (2) 500, 501, 502	41 086 19	13	Bracket, solenoid 502	47 126 29
5	Cap, commutator end assembly (Includes 6) 500, 501, 502	41 227 04	14	Screw, H.C. sems 3/8-16 x 1" 502	X-159-2
6	Kit, brush and spring 500, 501, 502	52 755 15	Not illustrated		
7	Armature 500, 501, 502	45 170 02		Tag, caution 500, 501, 502	25 450 03
8	Cap, drive end 500, 501, 502	41 227 03		Decal, warning (white) 502	237447
9	Kit, starter drive (Includes 10) 500, 501, 502	47 755 07		Decal, 12 volt warning (white) 502	277356
				Lead, black (Starter to solenoid) (6" - 6 gauge - insulated barrel - eyelet terminals) 500	52 518 03

Group 12  
EXHAUST



Index Number	Description Variation Number	Part Number	Index Number	Description Variation Number	Part Number
1	Muffler 44, 500	275679	7	Elbow, exhaust 505	151385
2	Muffler 504	47 068 15	8	Clamp 504	237548
3	Nipple 6" 44, 503	25 136 05	9	Spacer 504	X-400-71
4	Nut, lock 500, 501, 504, 505	AC-1536	10	Washer, 5/16" 504	X-25-20
5	Elbow, exhaust 500	231820	11	Screw, 5/16 - 18 x 1-3/8" 504	41 086 15
6	Elbow, exhaust 501, 504	47 054 01			

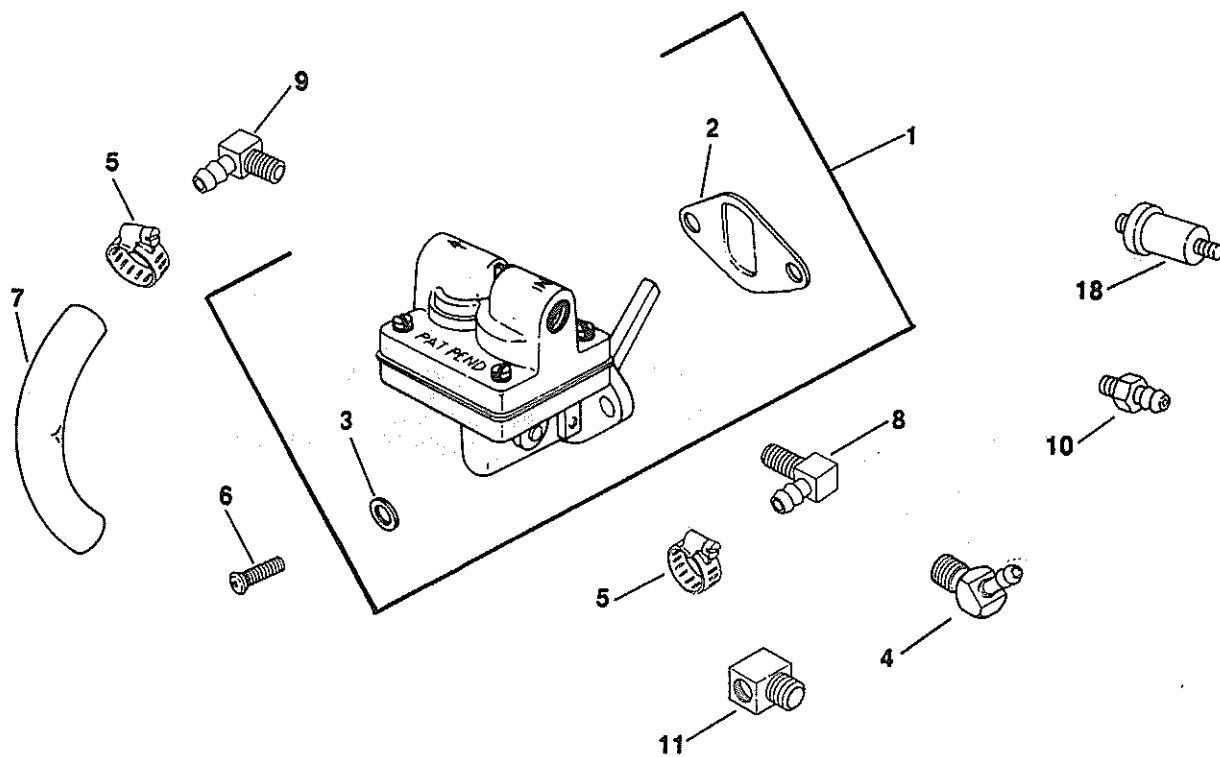
Group 13  
FLYWHEEL



Index Number	Description Variation Number	Part Number	Index Number	Description Variation Number	Part Number
1	Flywheel 501, 509, 511	47 025 53	7	Fan 500, 501, 502, 504, 506, 507, 508, 509, 511, 512	25 157 01
1	Flywheel 506	47 025 58	7	Fan 510	25 157 02
1	Flywheel assembly 504	47 025 57	8	Screw, hex. wash. hd., 1/4-20 x 5/8" (4) 500, 501, 502, 504, 506, 507, 508, 509, 511, 512	25 086 21
2	Flywheel 500, 510	47 025 56	8	Screw, hex. wash. hd., 1/4-20 x 1/2" (4) 510	25 086 14
2	Flywheel (Replaced by 47 025 54) 502, 512	47 025 55	9	Screen, grass 501, 507, 512	25 162 01
2	Flywheel 508	47 025 59	10	Retainer 502	230363
2	Flywheel assembly 507	47 025 60	11	Screen 502	230098
3	Washer, plain, 13/32" I.D., 1-3/8" O.D. (Replaced by 52 468 15) 500, 501, 504, 506, 507, 508, 509, 510, 511, 512	52 114 02	12	Pulley, rope start 502	47 093 01
4	Screw, hex. mach. 3/8-24 x 1-1/8" (Replaced by 25 086 24) 500, 501, 504, 506, 507, 508, 509, 510, 511, 512	25 086 04	13	Spacer 13/32" I.D. 1-3/4" O.D. 502	47 112 18
5	Key, woodruff 3/16 x 1" 500, 501, 502, 504, 506, 507, 508, 509, 510, 511, 512	X-46-3	14	Screen grass 3-5/16" hole (Replaced by 25 162 02) 500, 506, 508	47 162 32
6	Spacer 17/64" I.D., 3/8" O.D., (4) 500, 501, 502, 504, 506, 507, 508, 509, 510, 511, 512	25 112 04	14	Screen, grass 3-5/16" hole 500, 502, 504, 506, 508, 509	25 162 02
			15	Rope 502	A-230099

Index Number	Description Variation Number	Part Number	Index Number	Description Variation Number	Part Number
16	Screw, hex. mach. 3/8-24 x 1-11/16" (Replaced by 25 086 25) 502	47 086 18	26	Screw, fillister head #10-16 x 3/4" (5) 511, 512	25 086 36
17	Washer, plain 13/32" I.D., 1-1/4" O.D. 502	52 114 01	27	Washer, lock #10 (5) 511, 512	X-22-22
18	Kit, rope start pulley (Includes 10-12, 15-17, 33) 502	47 755 29	28	Screw, hex. mach. 3/8-24 x 1-1/8" 512	25 086 24
19	Kit, fixed grass screen guard (Includes 20-25, 26, 27) 511, 512	47 755 37	29	Kit, drive cup (Includes 3) 504	52 755 61
20	Guard 511, 512	47 314 01	30	Screw, R.H.M. 10-24 x 1" (5) (Replaced by 41 086 12) 511, 512	X-50-7
21	Spacer (5) 511, 512	47 112 21	31	Nut 10-24 (5) 511, 512	X-101-9
22	Washer (5) 511, 512	25 468 03	32	Screen, grass 506, 508	47 162 30
23	Seal (5) 511, 512	220074	33	Screen, grass 502	25 162 02
24	Washer, lock #10 (5) 511, 512	X-19-1	Not Illustrated	Decal, rope start pulley 502	25 113 06
25	Screw, slotted pan head #10-24 x 7/8" 511, 512	X-50-12			

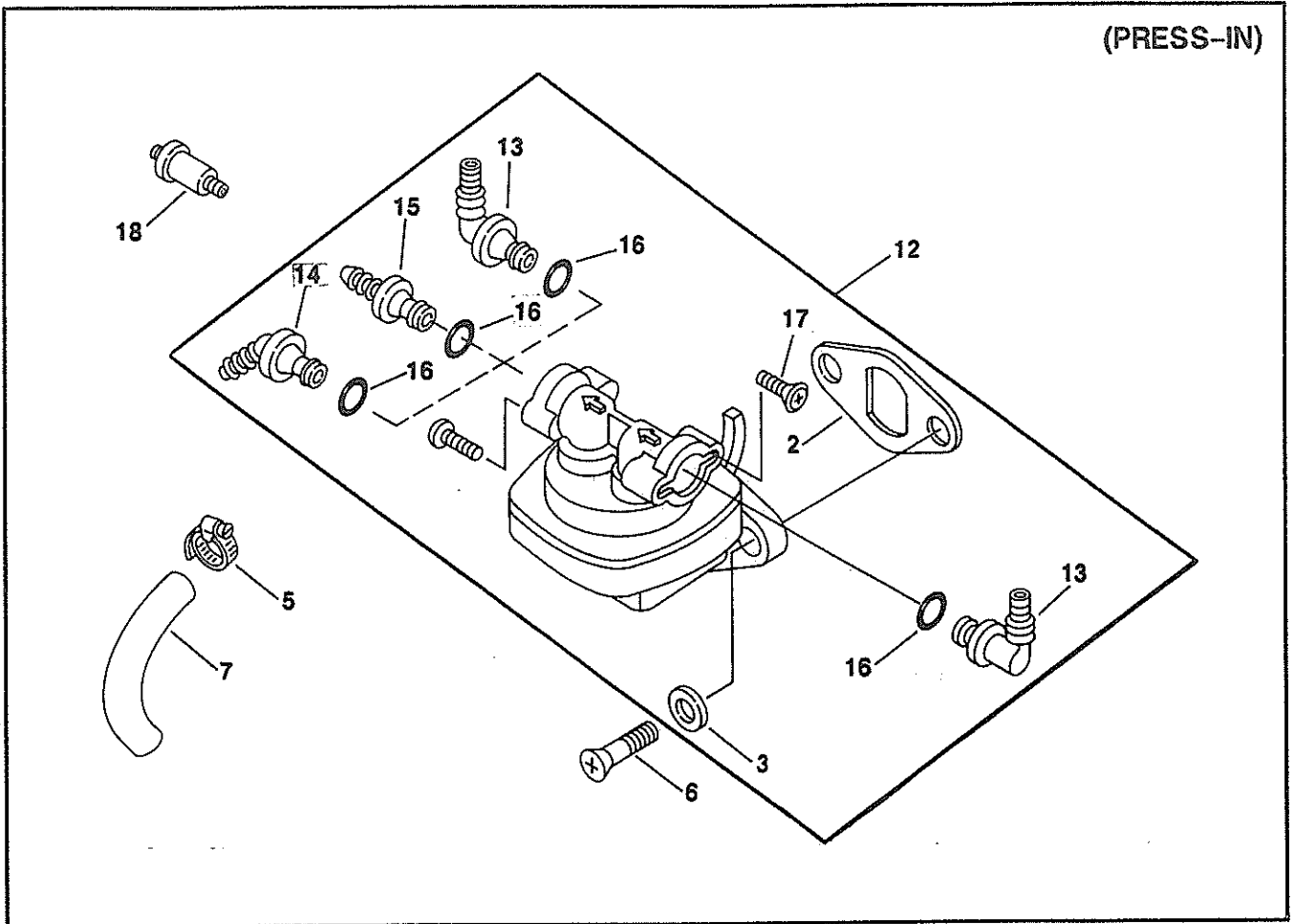
**Group 14  
FUEL PUMP  
(THREADED)**



Index Number	Description Variation Number	Part Number	Index Number	Description Variation Number	Part Number
1	Pump, fuel assembly (Includes 2-4,8,9) 69,500,502,503,504,505,506,507, 509	47 559 04	7	Line, fuel 1/4 " I.D. , 5-1/2" 69,500,502,503,504,505,506,507, 509	25 353 01
1	Pump, fuel assembly (Includes 2-4,10) 508	47 559 02	7	Line, fuel 1/4" I.D., 6-1/4" 508	25 353 04
2	Gasket, fuel pump (Replaced by 25 041 09) 69,500,502,503,504,505,506, 507,508,509	25 041 05	7	Line, fuel 1/4" I.D., 3" 508,509	25 353 02
3	Washer, plain 1/4" (2) 69,500,502,503,504,505,506, 507,508,509	X-25-63	8	Connector, 90° hose outlet (2) (For 1/4" I.D. rubber hose) 69,500,502,503,504,505,506, 507,508,509	25 155 02
4	Connector, 45° hose inlet 69,500,502,503,504,505,506,507, 509	47 155 12	9	Connector, 90° threaded (For 3/16" I.D. rubber hose) 69,500,502,503,504,505,506,507, 509	X-391-11
5	Clamp, hose (2) 69,500,502,503,504,505,506,507	X-426-9	10	Connector, hose st. thrd. (For 1/4" I.D. rubber hose) 508	X-380-2
5	Clamp, hose (4) 508,509	X-426-9	11	Elbow, street 1/8"x1/8" 505	X-555-2
6	Screw, pozidriv F.H. sems 1/4-20x3/4" (2) 69,500,502,503,504,505,506, 507,508,509	X-174-2	Note: Order fuel pump parts according to style of pump used on engine.		



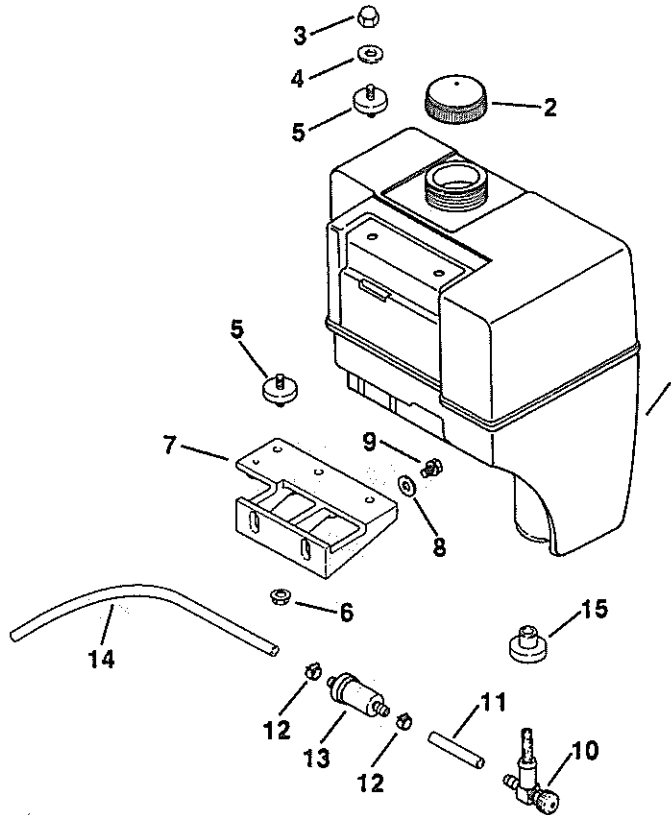
(PRESS-IN)



Index Number	Description Variation Number	Part Number	Index Number	Description Variation Number	Part Number
12	Pump, fuel assembly w/ press-in fittings (Includes 2,3,14-18) (Replaced by 47 559 02) 508	47 559 07	15	Connector, straight press fit w/ O-Ring (A.R.) 69,500,502,503,504,505,506, 507,508,509	25 294 03
12	Pump, fuel assembly w/ press-in fittings (Includes 2,3,14-18) (Replaced by 47 559 04) 69,500,502,503,504,505,506, 507,509	47 559 08	16	O-Ring 69,500,502,503,504,505,506, 507,508,509	25 153 01
13	Connector, 90° press fit w/ O-Ring (A.R.) (For 1/4" I.D. rubber hose) 69,500,502,503,504,505,506, 507,508,509	25 294 01	17	Screw, tapping (2) 69,500,502,503,504,505,506, 507,508,509	25 086 35
14	Connector, 45° press fit w/ O-Ring (A.R.) (For 1/4" I.D. rubber hose) 69,500,502,503,504,505,506, 507,508,509	25 294 02	18	Filter, fuel (Replaced by 25 050 02) 508,509	25 050 01

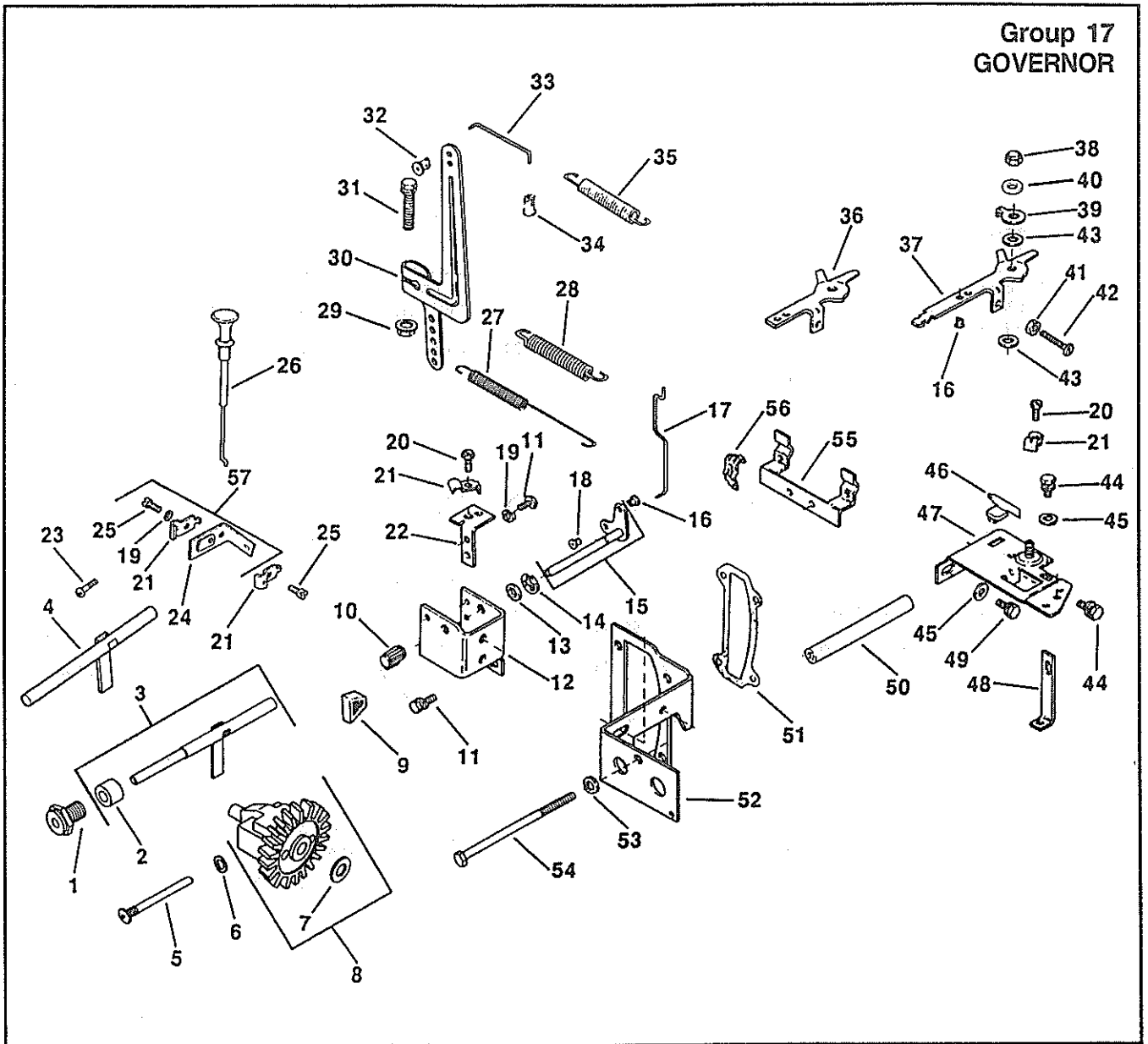
Note: Order fuel pump parts according to style of pump used on engine.

**Group 15  
FUEL TANK**



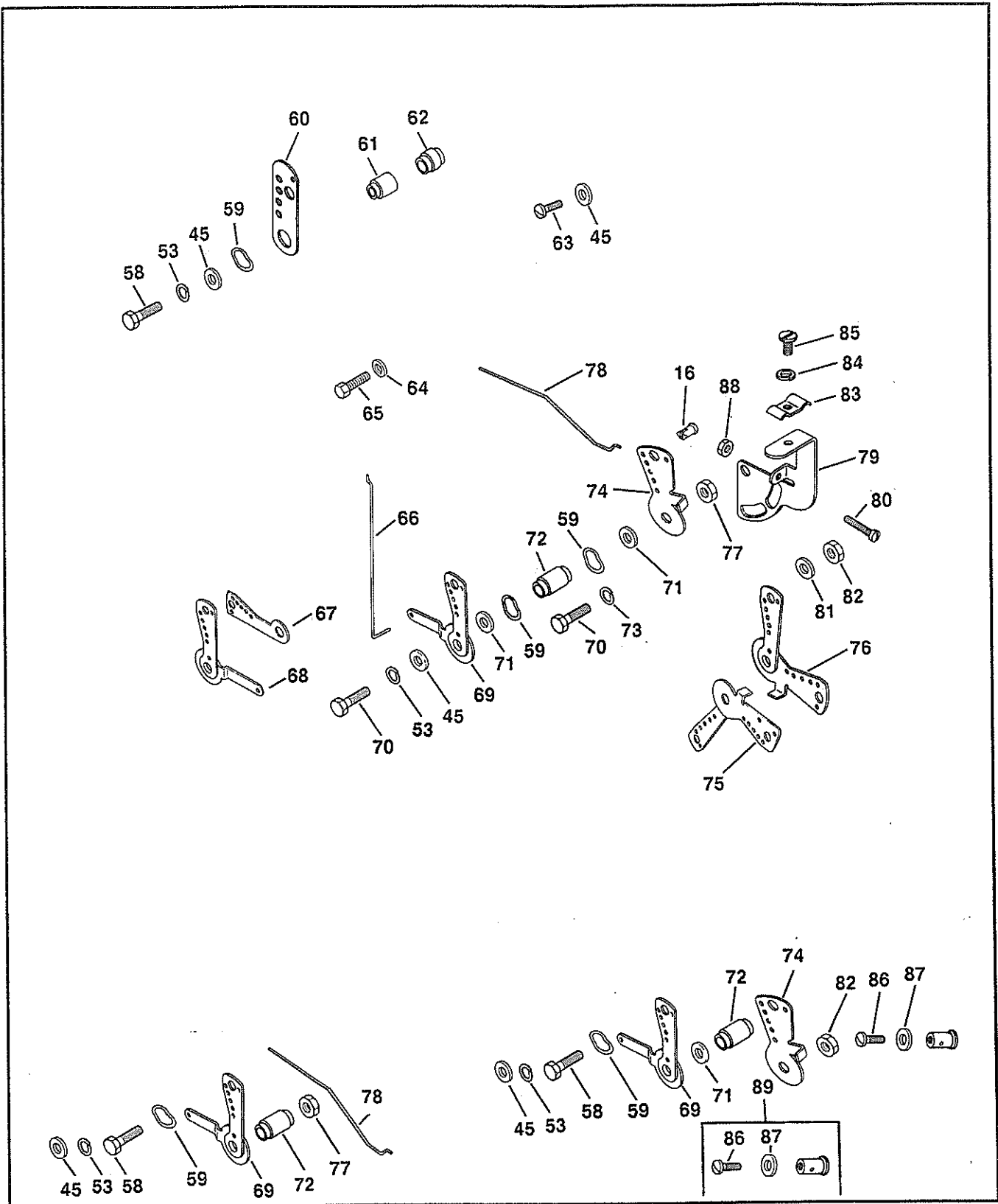
Index Number	Description Variation Number	Part Number	Index Number	Description Variation Number	Part Number
1	Tank, fuel (1/2" high filler neck) 500, 502, 503, 504, 505, 506, 507	47 065 04	9	Screw, H.C. sems 5/16-18 x 1-1/8" (2) 500, 502, 503, 504, 505, 506, 507	X-159-3
1	Kit, fuel tank (Includes cap 25 173 03) (3/4" high filler neck) 500, 502, 503, 504, 505, 506, 507	47 755 39	10	Valve, fuel shut-off (Replaced by 25 462 03) 500, 502, 504, 505, 506, 507	25 462 01
2	Cap, fuel tank (Use on tank with 1/2" high filler neck) (Replaced by 25 173 02) 500, 502, 504, 507	25 173 01	11	Line, fuel 3/16" I.D., 2" 500, 502, 503, 506, 507	41 353 10
2	Cap, fuel tank (Use on tank with 3/4" high filler neck) 503, 504, 505, 506	25 173 03	12	Clamp, hose 504, 505, 506	25 237 01
3	Nut, acorn (2) 500, 502, 503, 504, 505, 506, 507	25 100 04	12	Clamp, hose (2) 500, 502, 507	25 237 01
4	Washer, plain 1/4" (2) 500, 502, 503, 504, 505, 506, 507	X-25-78	12	Clamp, hose (3) 503, 506	25 237 01
5	Mount, isolation (4) 500, 502, 503, 504, 505, 506, 507	47 366 01	13	Filter, fuel (Replaced by 41 050 03) 500, 502, 503, 506, 507	41 050 02
6	Palnut, 1/4-20 (2) 500, 502, 503, 504, 505, 506, 507	X-799-1	14	Line, fuel 3/16" I.D., 19" 500, 502, 503, 504, 505, 506, 507	47 353 02
7	Bracket, lower tank 500, 502, 503, 504, 505, 506, 507	47 126 30	15	Grommet 500, 502, 504, 505, 506, 507	25 313 01
8	Washer, plain 3/8" (2) 500, 502, 503, 504, 505, 506, 507	X-25-28	Not Illustrated		
				Decal, fuel warning 502, 505, 506	25 113 10

Group 17  
GOVERNOR



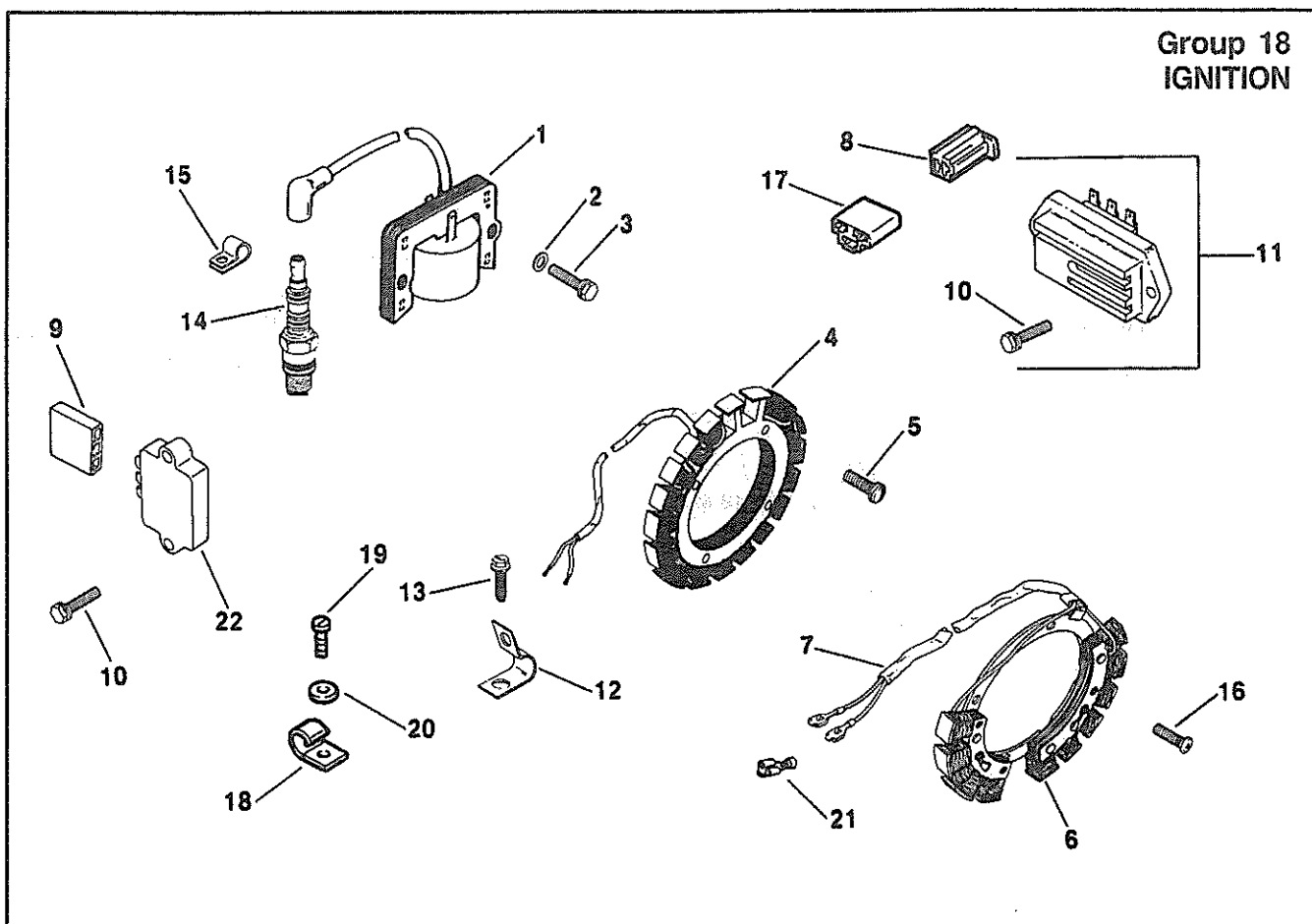
Index Number	Description Variation Number	Part Number	Index Number	Description Variation Number	Part Number
1	Bushing, governor shaft 500, 501, 502, 503, 504, 505, 506, 508, 509, 510, 511, 512, 513	235476	7	Washer, thrust 500, 501, 502, 503, 504, 505, 506, 508, 509, 510, 511, 512, 513	237022
2	Spacer 17/64" I.D., 3/8" O.D. 500, 501, 502, 503, 504, 505, 506, 508, 509, 510, 511, 512, 513	X-400-80	8	Kit, governor gear (Includes 7) 500, 501, 502, 504, 505, 508, 509, 510, 511, 512, 513	A-235743-S
3	Kit, governor shaft (Includes 2) 500, 501, 502, 503, 504, 505, 506, 508, 509, 510, 511, 512, 513	A-235256-S	8	Kit, governor gear (Includes 6) 503, 506	A-236294-S
4	Shaft, governor cross 500, 501, 502, 503, 504, 505, 506, 508, 509, 510, 511, 512, 513	237455	9	Knob, speed control 511, 512	41 341 03
5	Pin, governor stop 500, 501, 502, 503, 504, 505, 506, 508, 509, 510, 511, 512, 513	231355	9	Knob, speed control (2) 500, 501	41 341 03
6	Washer, plain 1/4" 500, 501, 502, 503, 504, 505, 506, 508, 509, 510, 511, 512, 513	25 468 01	10	Knob, choke w/ setscrew (Use with 47 144 20 shaft) 501, 503, 504, 511 Before Serial No. 18112000123 use:	47 341 02

Index Number	Description Variation Number	Part Number	Index Number	Description Variation Number	Part Number
10	Knob, choke (Use with 47 144 23 shaft) 501, 503, 504, 511		30	Lever, governor 500, 501, 502, 503, 504, 505, 506, 508, 509, 510, 511, 512, 513	47 090 20
	After Serial No. 1811200003 use:	47 341 03	31	Screw, H.C. sems 1/4-20 x 1-1/4" 500, 501, 502, 503, 504, 505, 506, 508, 509, 510, 511, 512, 513	X-776-1
11	Screw, hex. hd. sems 10-24 x 3/8" (2) 503, 504	41 086 23	32	Bushing, linkage (yellow) 500, 501, 502, 504, 505, 508, 509, 510, 511, 512, 513	47 158 07
11	Screw, hex. hd. sems 10-24 x 3/8" (4) 500, 501, 511, 512	41 086 23	32	Bushing, linkage (yellow) (2) 506	47 158 07
12	Bracket, choke shaft 500, 501, 503, 504, 511	47 126 25	33	Linkage, governor to carburetor 503, 506	47 079 10
13	Bushing, choke shaft (2) 500, 501, 503, 504, 512	25 158 05	34	Bushing, linkage (black clip-on) 502, 505, 506, 508, 509, 510, 513	25 158 09
14	E-Ring 501	25 141 01	34	Bushing, linkage (2) (black clip-on) 500, 501, 503, 504, 511, 512	25 158 09
14	E-Ring (2) 500, 504, 511, 512	25 141 01	35	Spring, dampening (93 coils) (Governor lever to carburetor) 503	230117
15	Shaft, choke control (Replaced by 47 755 41 Kit) 503, 511, 512		36	Lever, speed control 503, 504	47 090 22
	Before Serial No. 1811200013 use:	47 144 20	37	Lever, speed control 500, 501, 511, 512	47 090 19
	After Serial No. 1811200003 use:	47 341 02	38	Nut, hex. lock 1/4-20 501, 503, 504, 511, 512	X-101-8
15	Kit, choke lever (Includes 18) 500, 501, 503, 504, 511, 512	47 755 41	38	Nut, hex. lock 1/4-20 (2) 500	X-101-8
16	Bushing, linkage (black) 503	47 158 03	39	Tab, locking 500, 501, 503, 504, 511, 512	52 448 01
16	Bushing, linkage (2) (black) 500, 501, 511, 512	47 158 03	40	Washer, plain 1/4" (2) 511	X-25-53
17	Linkage, choke (Carburetor to Choke Shaft) 500, 501, 503, 504, 511	47 079 04	40	Washer, plain 1/4" (3) 500, 501, 503, 504, 511, 512	X-25-53
18	Bushing, linkage (Replaced by 25 156 09) 500, 501, 503, 504, 506, 511, 512	25 158 07	41	Nut, hex. 10-24 500, 501, 503, 504, 511, 512	X-70-2
19	Washer, lock #10 (2) 505	X-19-1	42	Screw, F.H. 10-24 x 3/8" 500, 501, 503, 504, 511, 512	X-50-7
20	Screw, sltd. hex. hd. 10-24 x 3/8" 506, 511, 512, 513	X-97-3	43	Washer, wave (2) (1 curve) 500, 501, 503, 504, 511, 512	41 468 03
20	Screw, sltd. hex. hd. 10-24 x 3/8" (2) 500, 501, 512, 513	X-97-3	44	Screw, H.C. sems 1/4-20 x 3/8" 509, 511	X-132-1
21	Clamp, cable 501, 505, 506, 511, 512, 513	235778	44	Screw, H.C. sems 1/4-20 x 3/8" (2) 500, 501, 503, 504, 512	X-132-1
21	Clamp, cable (2) 500, 505	235778	45	Washer, plain 1/4" (2) 500, 501, 502, 503, 504, 508, 510, 511, 512	X-25-63
22	Bracket, cable clamp 500, 501, 511, 512	47 126 31	45	Washer, plain 1/4" (2) 502, 505, 508, 509, 510	X-25-63
23	Screw, sems 1/4-20 x 5/8" 506, 513	52 086 11	46	Switch, kill (Replaced by 25 099 12) 501, 502	41 099 05
24	Bracket, choke 505	47 126 36	47	Bracket, speed control 500, 501, 503, 504	47 126 21
24	Bracket, choke assembly 506, 513	47 126 34	48	Bracket, stabilizer 500	41 126 27
25	Screw, F.H.M. 10-24 x 1/2" (2) 505	X-15-5	48	Bracket, stabilizer 501, 502, 503, 504, 511, 512	47 126 27
26	Cable, choke 506, 513	47 159 01	49	Screw, H.C. sems 1/4-20 x 5/8" (2) 500, 501, 503, 504, 511, 512	X-132-5
27	Spring, governor (23 coils) 503	47 089 07	50	Spacer, 1/4" I.D., 1/2" O.D. 500, 501, 504, 511	25 112 03
27	Spring, governor (26 coils) 500, 501, 504, 511	47 089 09	51	Gasket, camshaft cover 500, 501, 504, 511, 512	235025
27	Spring, governor (34 coils) 508, 510	47 091 01	52	Bracket, control panel 500, 501, 503, 504, 511, 512	47 126 28
28	Spring, governor (26 coils) 502, 505	235496	53	Washer, lock 1/4" 500, 501, 502, 504, 505, 508, 509, 510, 511	X-20-1
28	Spring, governor (23 coils) 506, 513	45 091 01			
29	Palnut, 1/4-20 500, 501, 502, 503, 504, 505, 506, 508, 509, 510, 511, 512, 513	X-799-1			



Index Number	Description Variation Number	Part Number	Index Number	Description Variation Number	Part Number
53	Washer, lock 1/4" (2) 502, 505, 508, 510	X-20-1	74	Lever, throttle control 502	47 090 10
54	Screw, H.C. 1/4-20 x 5-1/16" 500, 501, 503, 504, 511	47 086 16	75	Lever, throttle control 505	47 090 09
55	Bracket, bowden wire 500, 501, 503, 504, 511, 512	47 126 26	76	Lever, throttle control 510	47 090 51
56	Clip, cable (2) 500, 501, 503, 504, 511, 512	235603	77	Nut, hex. 1/4-20 508, 509, 510	X-76-2
57	Choke bracket assembly (Includes 19, 21, 24, 25) 505	47 126 37	78	Linkage, throttle (Swivel clamp to throttle control lever) 505, 508, 509, 510	47 079 07
58	Screw, H.C. 14-20 x 1-1/2" 502, 508, 509, 510	X-5-26	78	Linkage, throttle 502	47 079 07
58	Screw, H.C. 14-20 x 1-1/2" 502, 505, 508, 510	X-5-26	79	Bracket, choke 502, 508, 509, 510	47 126 09
59	Washer, tension 502, 508, 510	275690	79	Bracket, choke 505	47 126 13
59	Washer, tension (2) 502, 508, 509, 510	275690	80	Screw, adj. lever 8-32 x 15/16" 502, 505, 508, 509, 510	232556
59	Washer, tension (3) 502, 505, 508, 510	275690	81	Spacer 505	X-25-95
60	Bracket, speed control 502, 505, 509	235086	82	Nut, hex. 1/4-20 502, 505, 510	X-81-1
61	Spacer 502, 505, 509	235085	83	Clamp 510	47 232 02
62	Spacer, 1/64" I.D., 13/32" O.D. 502, 505, 509	X-384-2	83	Clamp, bowden 502, 508, 509, 510	47 237 02
63	Screw, 1/4-20 x 1/2" 502, 508, 510	X-132-6	84	Washer, lock #10 502, 505, 508, 509, 510	25 468 04
63	Screw, 1/4-20 x 1/2" (2) 505	X-132-6	85	Screw, hex. hd. 10-24 x 3/4" 502, 508, 509, 510	X-67-51
64	Spacer 506, 513	25 431 01	86	Screw, sltd. pan hd. 8-32 x 1/4" 502, 509	X-51-8
65	Screw, 1/4-20 x 1/2" 506, 513	25 086 14	86	Screw, sltd. pan hd. 8-32 x 1/4" (2) 502, 505, 509, 510	X-51-8
66	Linkage, choke (Carburetor to Choke Shaft) 502, 505, 508, 509, 510	47 079 01	87	Washer, plain 1/4" 502, 509, 510	X-25-102
67	Lever, choke control 505	47 090 05	87	Washer, plain 1/4" (2) 502, 505, 510	X-25-102
68	Lever, choke control 510	47 090 50	88	Nut, hex. 8-32 502, 505, 508, 509, 510	X-72-4
69	Lever, choke control 502, 508, 509, 510	47 090 06	89	Kit, clamp (2) (Includes 86, 87) 502, 505, 509, 510	48 755 10
70	Screw, H.C. sems. 1/4-20 x 1-1/4" 509, 510	X-132-9			
71	Washer, plain 3/8" (2) 502, 505, 509	X-25-82			
72	Spacer 502, 508, 510	47 112 02			
72	Spacer 505, 509, 510	47 112 19			
73	Washer, plain 1/4" 502, 505, 508, 509, 510	X-25-72			
74	Lever, throttle control 509	47 090 25			

Group 18  
IGNITION



Index Number	Description Variation Number	Part Number	Index Number	Description Variation Number	Part Number
1	Module, ignition (Replaced by 47 584 02) 500, 501, 502, 503, 504, 505, 507	47 584 01	10	Screw, H.C. sems 1/4-20 x 1" (2) 503	X-132-4
2	Washer, plain #10 (2) 500, 501, 502, 503, 504, 505, 507	X-25-79	10	Screw, H.C. sems 1/4-20 x 5/8" (2) 500, 503, 505, 507	X-132-5
3	Screw, H.C. sems 10-24 x 7/8" (2) 500, 501, 502, 503, 504, 505, 507	X-156-1	11	Kit, Rectifier-Regulator (Includes 10, 22) (Rectifier-regulator marked 41 403 09) 500, 503, 505, 507	25 755 03
4	Kit, stator (15 amp.) (Includes 5, 21) 500, 503, 505	237878	12	Clip, lead 500, 503, 504, 505, 507	X-728-1
5	Screw, pozidriv pan hd. sems 10-24 x 3/4" (4) (Replaced by X-67-51) 503	X-778-1	13	Screw, hex. wash. hd. 8-32 x 3/8" 500, 503, 504, 507	X-67-59
5	Screw, pan hd. mech. #10-24 x 3/4" 500, 502, 503, 504, 505, 507	X-67-51	14	Spark plug RH-10 500, 501, 502, 503, 504, 505, 507	235041-S
6	Stator assembly (3 amp.) (Includes 7) 504	45 085 02	15	Clip, high tension lead 500, 501, 502, 503, 504, 505, 507	210281
7	Kit, diode (Includes 21) 504	51 755 01	16	Screw, pan hd. mech. #10-24 504	25 086 30
8	Connector, male (2 contact) 503, 504, 505	41 155 03	17	Connector, female (3 contact) 503	236473
9	Connector, female (3 contact) 500, 503, 505, 507	236602	18	Clip 505, 507	235173
			18	Clip (Replaced by 47 154 01) 507	48 154 01

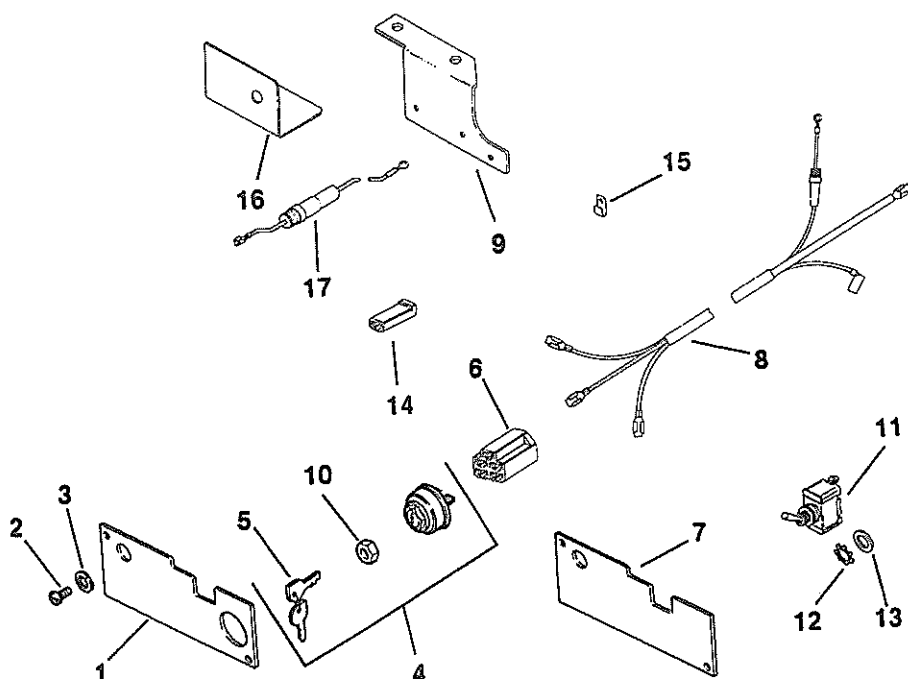
**IGNITION  
(Cont'd)**

**M10**

Index Number	Description Variation Number	Part Number	Index Number	Description Variation Number	Part Number
19	Screw, H.C. 1/4-20 x 1/2" 505, 507	X-132-6			
19	Screw, hex. wash. hd. 1/4-20 x 7/16" 507	X-67-83			
20	Washer, plain 17/64 x 9/16 x 1/16" 504	X-25-72			
21	Terminal 500, 503, 504, 505, 507	X-431-18			
21	Terminal (2) 500, 503, 505	X-431-18			
22	Rectifier-regulator (Replaced by 25 755 03) 503	41 403 05			
Not Illustrated	Lead, white, module to kill switch (19"-18 gauge-insulated push on tab- uninsulated push on tab terminals)	47 518 42			
				Lead, white, w/diode, module to connector (15"-18 gauge-insulated push on tab- uninsulated push on tab terminals) (Replaced by 47 528 44) 503, 505, 507	47 518 37
				Lead, violet, rectifier-regulator to connector (12-1/2"-14 gauge-uninsulated locking tab female 1/4" terminals) 503	47 518 46
				Lead, violet, rectifier-regulator to connector (23"-14 gauge-uninsulated locking tang female 1/4" terminals) 505, 507	47 518 36
				Decal, Ignition 507	41 113 12



## Group 19 INSTRUMENT PANEL



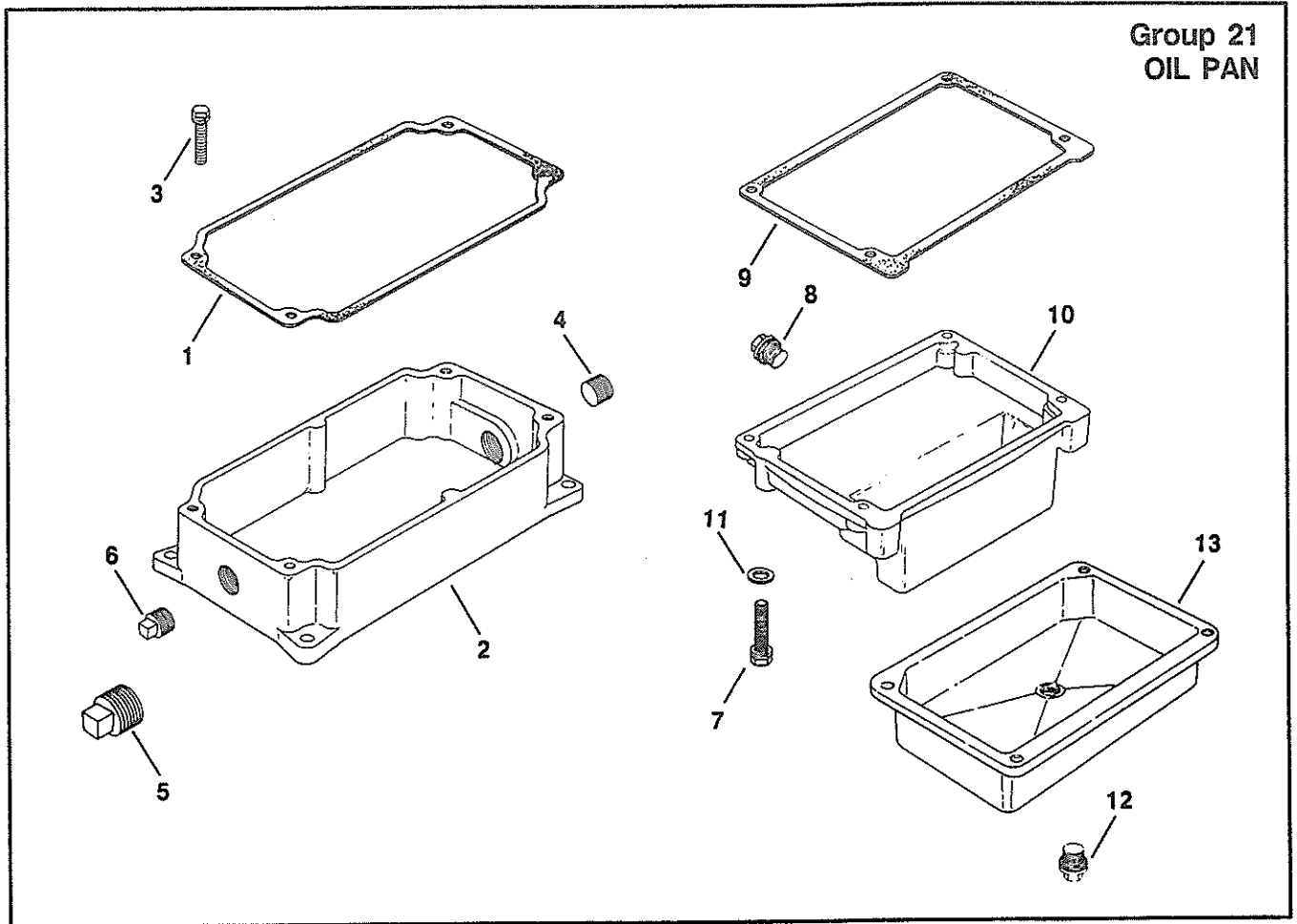
Index Number	Description Variation Number	Part Number	Index Number	Description Variation Number	Part Number
1	Panel, instrument 500, 502, 503	47 378 06	8	Harness, wiring 506, 507, 508	47 176 11
1	Panel, keyswitch 506, 507, 508	47 378 08	9	Bracket, solenoid 501, 502	47 126 29
2	Screw, sltd. pan hd. 10-24 x 3/8" (2) 501, 502, 503, 504	X-50-13	10	Nut 500, 503, 506, 507, 508	48 100 01
2	Screw, sltd. pan hd. 10-24 x 3/8" (2) 500, 501, 502, 503, 504	X-131-1	11	Switch, spst. (2 terminals) 502	151510
2	Screw, sems 1/4-20 x 1/2" 506, 507, 508	X-132-6	12	Washer, Int./Ext., toothed lock 1/2" 502	X-22-26
3	Washer, I.T. #10 (2) 501, 503, 504	X-22-9	13	Washer, plain 7/16" 502	X-25-34
4	Switch Assembly, key (Includes 5, 13) 500, 503, 506, 507, 508	25 099 04	14	Block, terminal 504	277563
5	Key (Set of 2) 500, 503, 506, 507, 508	48 340 01	15	Clip 506, 507, 508	275303
6	Connector 500, 503, 506, 507, 508	48 155 01	16	Panel, keyswitch 507	47 378 09
7	Panel, instrument 501, 504	47 378 05	17	Fuse Holder (Solenoid Term. to keyswitch) 507	25 323 01
8	Harness, wiring w/ diode (Replace diode with service component, 47 518 43 lead w/diode) 500, 503, 506, 507	47 176 08			
8	Harness, wiring w/ diode (Replace diode with service component, 47 518 43 lead w/diode) 504	47 176 06			

**INSTRUMENT PANEL  
(Cont'd)**

**M10**

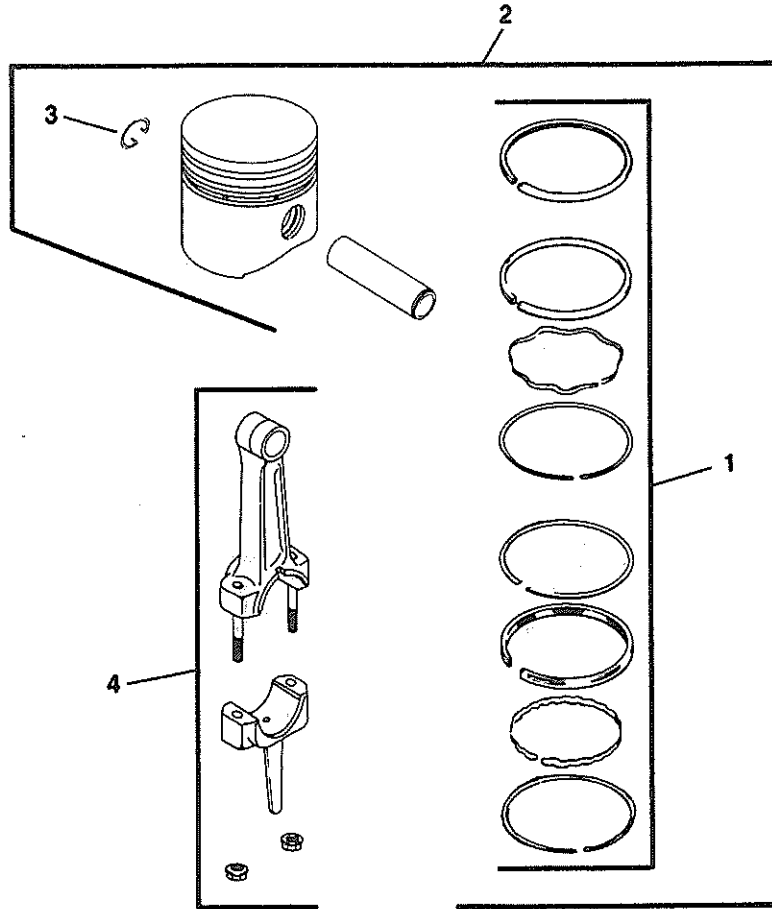
Index Number	Description Variation Number	Part Number	Index Number	Description Variation Number	Part Number
	<b>Not Illustrated</b>				
	Lead, violet, keyswitch to rectifier-regulator (11" -14 gauge - uninsulated push on tab terminals) 500, 503	47 518 33		Lead, white, w/ diode, module to connector (Replaced by 47 518 44) (Module to keyswitch) (15"-18 gauge-insulated push on tab -uninsulated push on tab terminals) 507	47 518 37
	Lead, white, module to kill switch (19" - 18 gauge - insulated push on tab terminals) 501	47 518 42		Lead, solid light blue or white with light blue stripes (Solenoid tab to keyswitch) (6"-18 gauge-insulated push on tab -uninsulated push on tab to terminals) 507	41 518 20
	Lead, black, starter to solenoid (6" - 6 gauge - insulated barrel eyelet terminals) 500	52 518 03		Lead, violet, rectifier-regulator to connector (23"-14 gauge-uninsulated locking tang female 1/4" terminals) 507	47 518 36
	Lead, green (Ground to switch) (3"-18 gauge-insulated grip barrel terminals) 502	47 518 39		Decal, control panel 500	47 113 10
	Lead, black (Module to switch) (21"-18 gauge-insulated grip barrel eyelet, insulated push on female 3/16" terminals) 502	47 518 47		Decal, control panel 501, 504	47 113 11
	Lead, violet, rectifier-regulator to connector (12-1/2"-14 gauge-uninsulated locking tang female 1/4" terminals) (Keyswitch to regulator-rectifier) 507	47 518 46		Decal, control panel 502	47 113 17
				Decal, control panel 503	47 113 14
				Decal, control panel 507, 508	47 113 12

Group 21  
OIL PAN

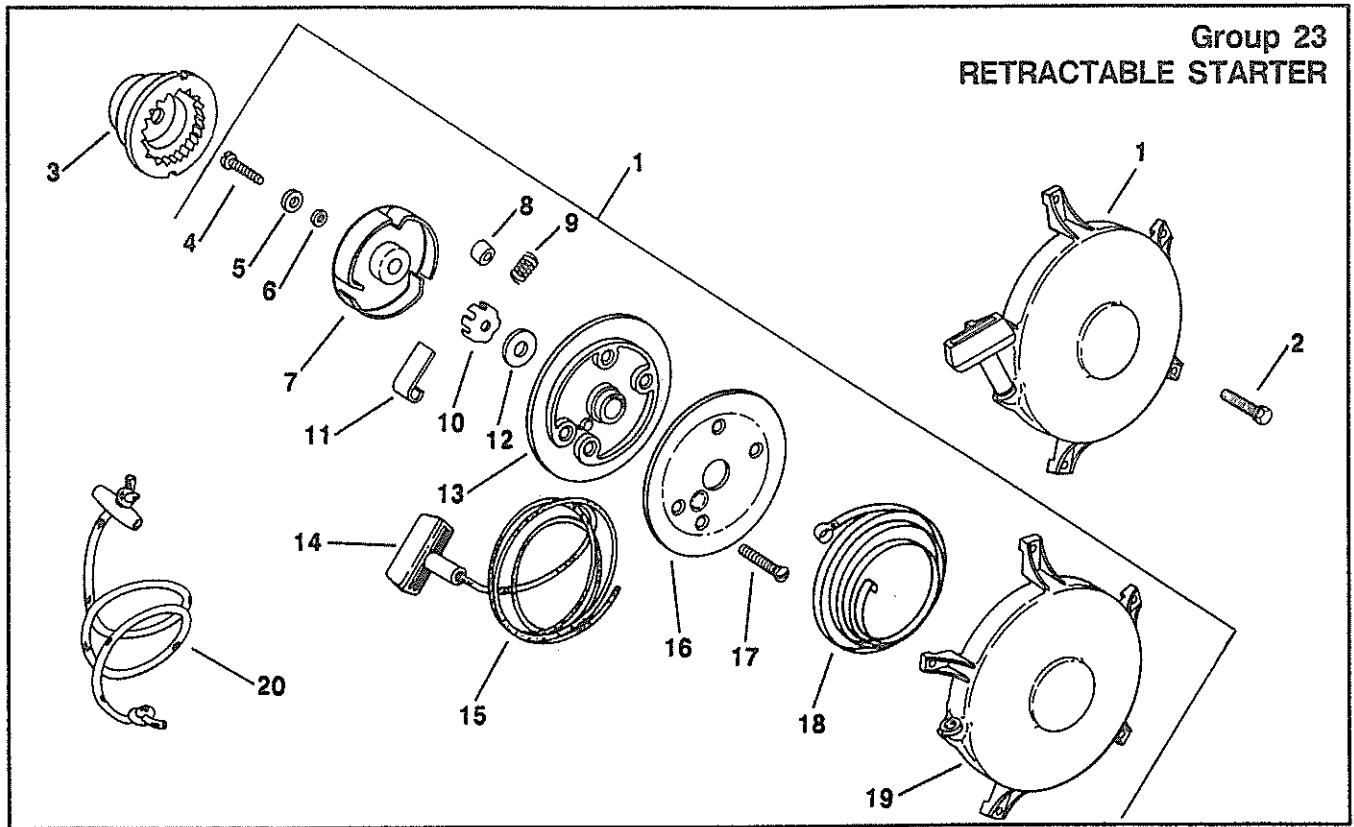


Index Number	Description Variation Number	Part Number	Index Number	Description Variation Number	Part Number
1	Gasket, oil pan 54, 500, 503, 504, 505	235057	7	Screw, H.C. sems 3/8-16 x 1-1/2" 501	X-159-4
2	Pan, oil (Double drain) 54, 503, 504	47 199 15	7	Screw, H.C. 3/8-16 x 1" 502	X-159-2
2	Pan, oil (Side drain) 500	235115	8	Plug, drain w/ fiber gasket 3/8-18 N.P.T.F. 501	X-708-1
2	Pan, oil (Double drain) 54	47 199 10	9	Gasket, oil pan 501	235353
2	Pan, oil (Drain on starter side) 505	45 199 05	9	Gasket, oil pan 502	47 041 07
3	Screw, H.C. sems 3/8-16 x 1-1/4" (4) 54, 500, 503, 504, 505	X-159-3	10	Pan, oil (Side drain) 501	47 199 09
4	Plug, sq. ctsk. 1/2" N.P.T.F. 503	X-75-3	11	Washer, plain 3/8" 502	X-25-37
5	Plug, sq. hd. solid 3/4" N.P.T.F. 54, 500, 503, 504	X-75-6	12	Plug, pipe hex. hd. 3/8" 502	X-75-32
6	Plug, pipe 3/8" 505	X-75-10	13	Pan, oil (Bottom drain) 502	47 199 07

Group 22  
PISTON & ROD



Index Number	Description	Part Number	Index Number	Description	Part Number
1	Ring Set (Std. & .003)		3	Retainer, piston pin (2)	
	1	235287	1	1	47 018 01
	Ring Set (.010)	235288	4	Connecting Rod (Std.)	
	Ring Set (.020)	235289	1	1	47 067 13
	Ring Set (.030)	235290		Connecting Rod (.010)	
2	Piston w/ Ring Set (Std.)		1	1	47 067 14
	1	47 874 01			
	Piston w/ Ring Set (.003)	47 874 02			
	Piston w/ Ring Set (.010)	47 874 03			
	Piston w/ Ring Set (.020)	47 874 04			
	Piston w/ Ring Set (.030)	47 874 05			

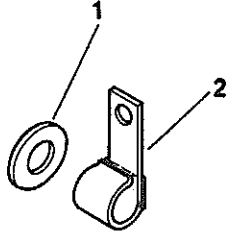


Group 23  
RETRACTABLE STARTER

Index Number	Description Variation Number	Part Number	Index Number	Description Variation Number	Part Number
1	Starter, recoil assembly w/ grass screen (Includes 4-19) 502	A-237251	10	Brake 500, 501, 502	231689
1	Starter, retractable assembly (Includes 4-19) 500, 501	47 165 01	11	Dog (3) 500, 501, 502	231695
2	Screw, H.C. sems 10-24 x 5/8" (5) 500, 501, 502	X-156-2	12	Washer, thrust 500, 501, 502	231692
3	Cup, drive 500, 501, 502	47 109 01	13	Pulley 500, 501, 502	231697
4	Screw, hex. hd. 10-32 x 5/8"	231691	14	Handle 500, 501, 502	234452
5	Washer 500, 501, 502	231690	15	Rope, #6 (66" long) 500, 501, 502	231686
6	Washer 500, 501, 502	231693	16	Sheave 500, 501, 502	231685
7	Retainer 500, 501, 502	231699	17	Screw (4) 500, 501, 502	231683
8	Spacer, nylon 500, 501, 502	47 112 04	18	Spring, recoil 500, 501, 502	231705
9	Spring, retainer (Use with spacer) 500, 501, 502	232525	19	Housing 500, 501, 502	235696
9	Spring, dog (3) (Replaces (1) spring 232525 and (1) spacer 4711204) 500, 501, 502	4108906	20	Rope, starting 503	A-230099

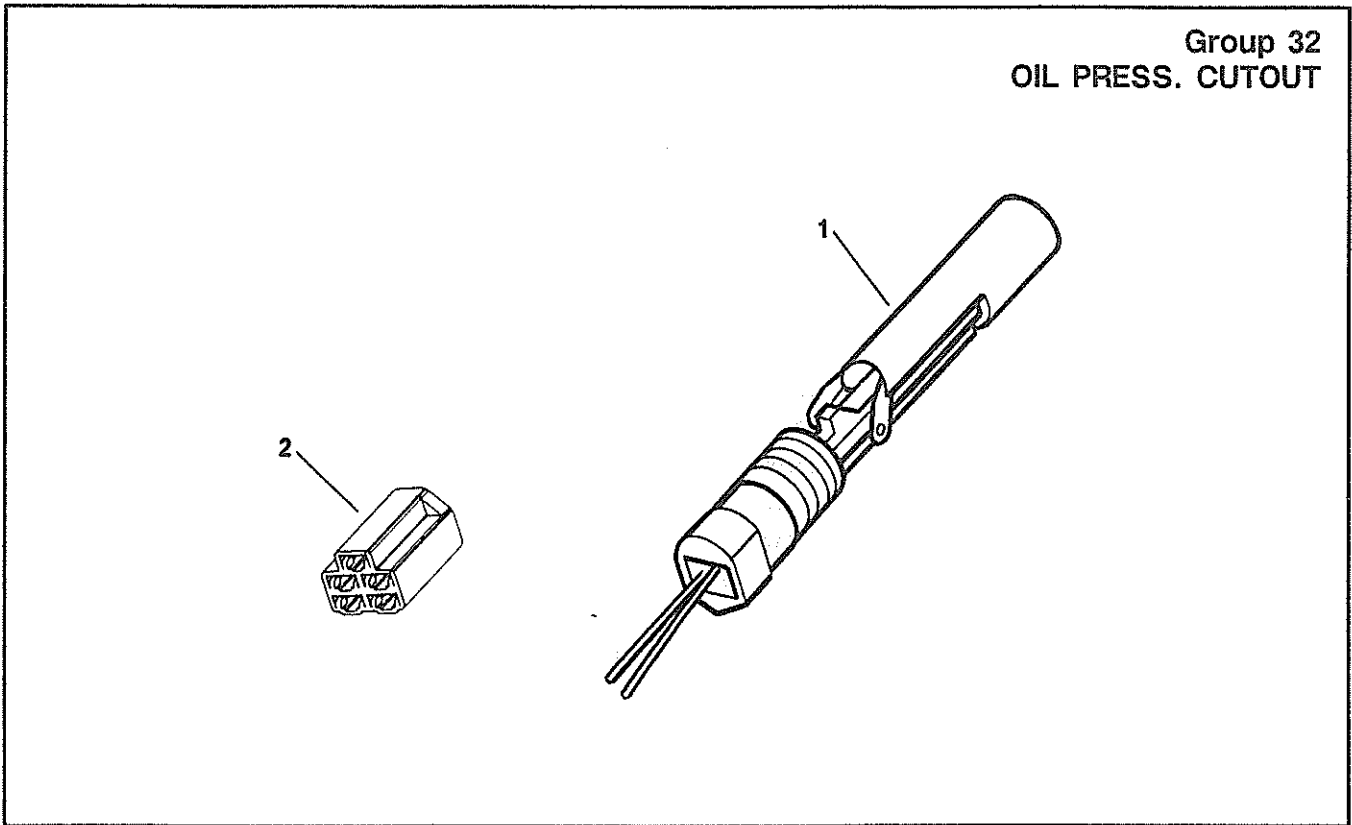
# M10

## Group 24 THROTTLE CABLE



Index Number	Description Variation Number	Part Number	Index Number	Description Variation Number	Part Number
1	Washer, plain, 17/64" x 9/16" x 1/16" 26	X-25-72	2	Clip, throttle cable (Replaced by 47 154 01) 26	48 154 01

Group 32  
OIL PRESS. CUTOUT



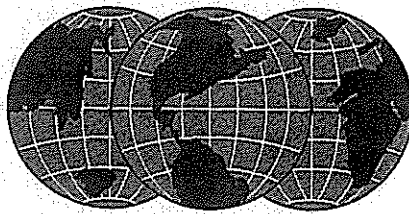
Index Number	Description Variation Number	Part Number	Index Number	Description Variation Number	Part Number
1	Kit, oil pressure switch (Includes decal 25 113 05, terminals 25 452 03, 25 452 07, sleeving 25 431 02) (Replaced by 25 704 03) 500	25 704 01		Terminal (Ring tongue insulated grip) 501,502	25 452 02
				Terminal (Ring tongue insulated grip) 500,501,502	25 452 03
1	Kit, oil pressure switch (Includes decal 25 113 05, terminals 25 452 01, 25 452 02, 25 452 03, sleeving 25 431 03) 501,502	25 704 04		Terminal (Uninsulated locking tang, female push on tab 1/4") 500	25 452 07
2	Connector 501,502	48 155 01		Sleeving 500	25 431 02
	NOT ILLUSTRATED			Sleeving 501,502	25 431 03
	Decal, oil sentry 500,501,502	25 113 05			
	Terminal (2) (Uninsulated locking tongue, female push on tab 1/4") 501,502	25 452 01			

# M10

Description Variation Number	Part Number	Description Variation Number	Part Number
Gasket Kits		Gasket Set (w/o seals)	47 004 02
Gasket Set (w/seals)	47 755 27	Set Includes:	
Set Includes:		Plug, cup	X-702-3
Plug, cup	X-702-3	Seal, breather	231032
Seal, breather	231032	Gasket, camshaft cover (2)	235025
Gasket, camshaft cover (2)	235025	Gasket, valve cover	235048
Gasket, valve cover	235048	Gasket, oil pan	235057
Gasket, oil pan	235057	Gasket, exhaust	235122
Gasket, exhaust	235122	Gasket, oil fill tube	237064
Gasket, oil fill tube	237064	Gasket, cylinder head	47 041 15
Gasket, cylinder head	47 041 15	Gasket, valve cover	275144
Gasket, valve cover	275144	Gasket, fuel pump	25 041 05
Seal, front oil	47 032 06	Gasket, air cleaner	47 041 05
Seal, rear oil	47 032 07	Gasket, oil pan	47 041 07
Gasket, fuel pump	25 041 05	Gasket, bearing plate	47 041 09
Gasket, air cleaner	47 041 05	Gasket, carburetor	47 049 01
Gasket, oil pan	47 041 07	Gasket, bearing plate (3)	47 422 05
Gasket, bearing plate	47 041 09		
Gasket, carburetor	47 049 01		
Gasket, bearing plate (3)	47 422 05		



**THE NEW SHAPE OF KOHLER POWER**



**KOHLER**engines

ENGINE DIVISION, KOHLER CO., KOHLER, WISCONSIN 53044

FOR SALES AND SERVICE INFORMATION  
IN U.S. AND CANADA, CALL  
**1-800-544-2444**

FORM NO.:	TP-2229-C
ISSUED:	3/86
REVISED:	8/92
MAILED:	

LITHO IN U.S.A.