



PARTS MANUAL

MODEL KT17 *SERIES II* Specs 24300 - 24343
MODEL KT19 *SERIES II* Specs 49200 - 49226

HOW TO FIND YOUR PART NUMBER

1 Refer to the Composite Exploded View on pages 2 & 3 (Grids A2 & A3). It contains major engine components boxed and identified by Group Number. Examine these groups for your part. After you locate your part, record the Group Number.

If the part you need is not illustrated, locate a major engine component related to your part and use this component to identify the Group Number.

2 Obtain the Spec Number from the nameplate attached to the engine shrouding. Refer to the Spec Number Index beginning on page 4 (Grid A4). Listed vertically on the left are Spec Numbers. Listed horizontally across

the top are Group Numbers and their titles, Page and Grid Numbers.

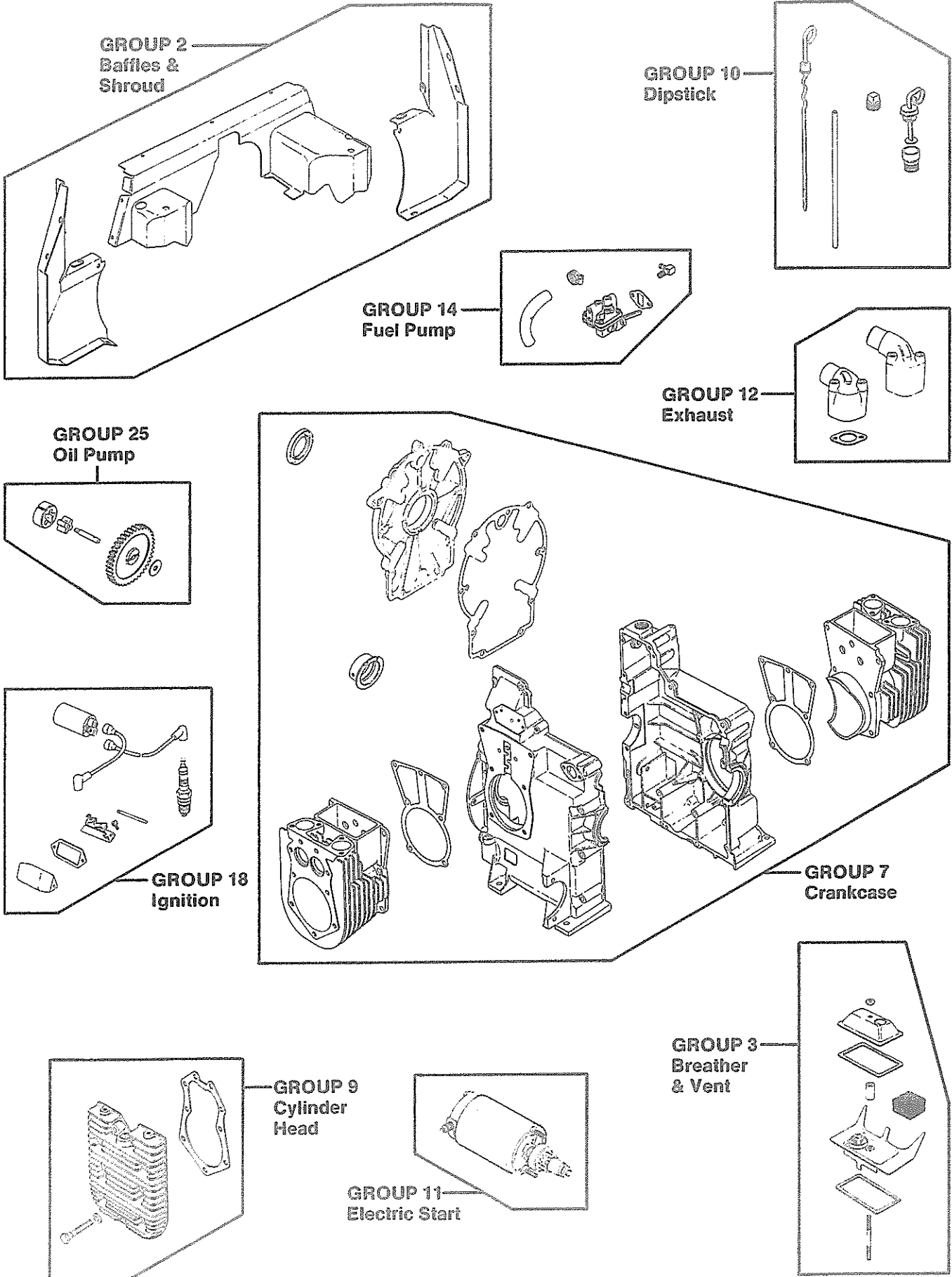
Locate your Spec Number. Follow horizontally from your Spec Number to the Group Number column. Where these two columns meet is the Variation Number of your part. Record that Variation Number.

3 Refer to the page (or grid) where your part is listed. Locate the part in the illustration, use its identifying index number to locate the part name in the listing. Find the Variation Number of your part in those listed below the part name. Your part number is listed to the right of the Variation Numbers.

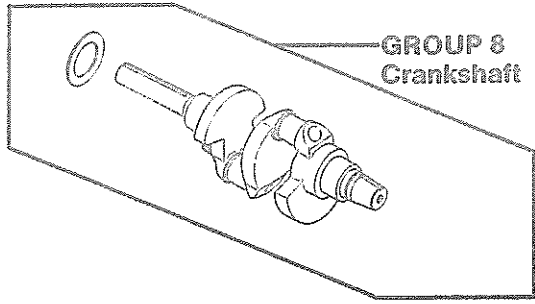
Illustrations are not intended to show the exact detail for all variations covered.

Quantities greater than one are shown in parenthesis behind part description.

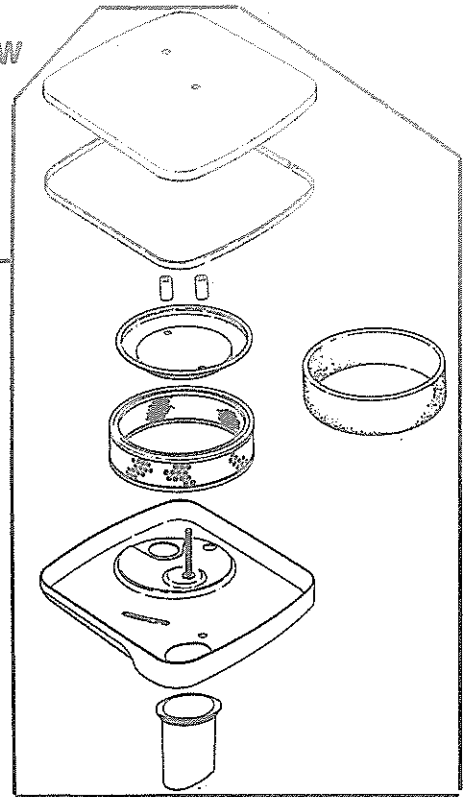
COMPOSITE EXPLODED VIEW



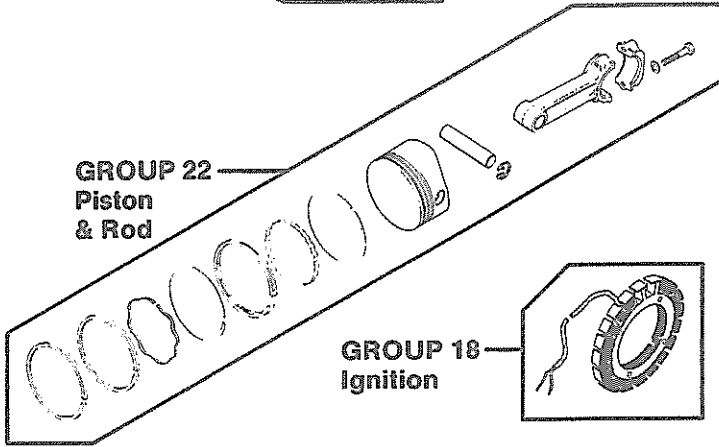
COMPOSITE EXPLODED VIEW



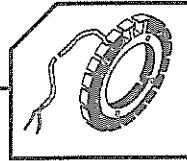
GROUP 1
Air Intake



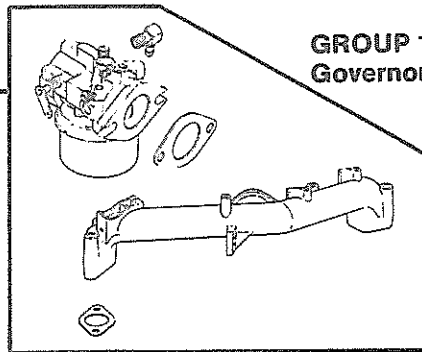
GROUP 22
Piston
& Rod



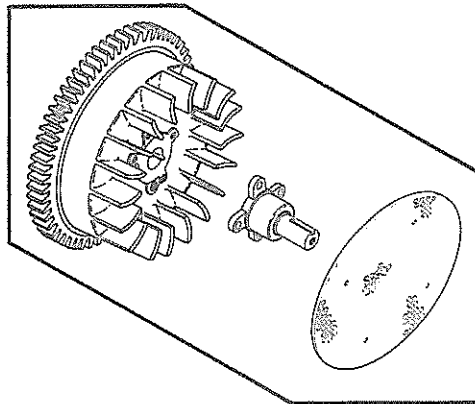
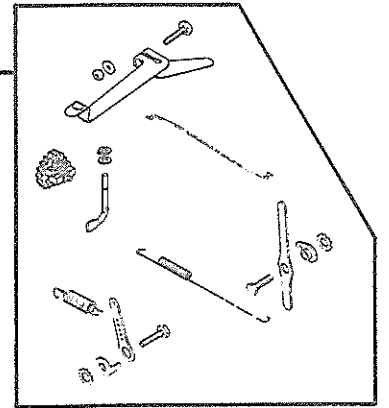
GROUP 18
Ignition



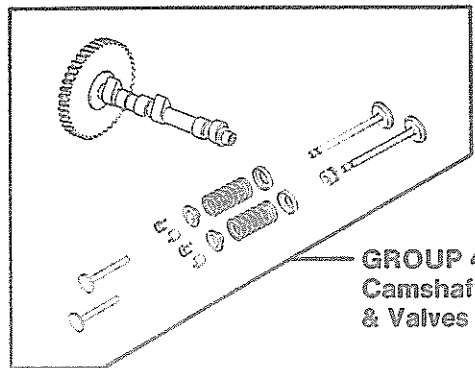
GROUP 5
Carburetor



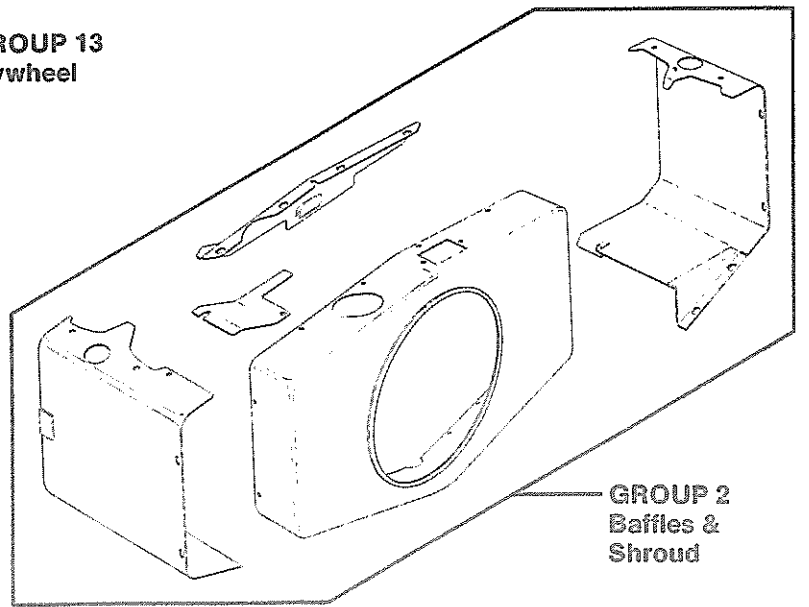
GROUP 17
Governor



GROUP 13
Flywheel



GROUP 4
Camshaft
& Valves



GROUP 2
Baffles &
Shroud

SPECIFICATION NUMBER INDEX

Group Title & Number	Air Intake	Baffles & Shroud	Breather & Vent	Camshaft & Valves	Carburetor	Crankcase	Crankshaft	Cylinder Head	Dipstick	Electric Start	Exhaust	Flywheel	Fuel Pump	Governor	Ignition	Instrument Panel	Piston & Rod	Oil Pump	Gasket Set
	1	2	3	4	5	7	8	9	10	11	12	13	14	17	18	19	22	25	39
Page	6	8	10	11	12	14	16	17	18	19	20	21	22	22	24	26	28	29	30
Grid	A6	A8	A10	A11	A12	A14	B2	B3	B4	B5	B6	B7	B8	B8	B10	B12	B14	C1	C2

**MODEL
KT17
SERIES II**

Spec. No.	Variation Number																		
24300	14	2	4	12	13	88	80	1	13	1	10	23	5	6	10		11	2	12
24301	18	51	5	10	20	91	85	8	8	3	7	40	6	6	5		11	2	12
24302	13	29	3	12	15	92	84	1	14	1	8	27	5	8	7		11	2	12
24303	14	16	4	10	12	94	80	1	14	1		26	8	7	2		11	2	12
24304	13	60	3	12	13	88	80	1	14	1	99	34	6	10	11		11	2	12
24305	13	25	3	10	13	93	80	1	9	1	7	31	5	6	2		11	2	12
24307	4	6	6	13	11	96	87	1	2	1	6	39	2	3	4		11	2	12
24310	23	52	5	12	21	92	83	1	14	1	7	21	7	14	9		11	2	12
24312	13	43	3	12	13	93	80	1	14	1	7	21	5	6	2		11	2	12
24313	14	3	4	10	13	88	88	1	13	1	7	23	5	6	2		11	2	12
24314	30	43	3	10	13	93	84	1	14	1	7	201	5	6	2		11	2	12
24316	14	3	4	12	13	88	80	1	13	1	7	23	5	6	10		11	2	12
24317	27	27	3	10	13	93	84	1	13	3	14	29	6	6	6		11	2	12
24318	28	27	3	10	13	88	80	1	13	1	99	23	5	6	10	200	11	2	12
24320	29	66	3	10	13	93	80	1	13	1	7	21	5	6	2		11	2	12
24327	14	2	4	12	23	88	80	1	13	1	10	23	5	15	10	1	11	2	12
24328	18	51	5	10	20	91	85	8	8	3	7	40	6	6	5		11	2	12
24329	30	29	3	12	15	92	84	1	14	1	8	27	5	8	7		11	2	12
24330	31	16	4	10	12	94	80	1	14	1		26	5	7	2		11	2	12
24332	30	25	3	10	13	93	80	1	9	1	7	31	5	6	2		11	2	12
24333	30	43	3	10	13	93	84	1	14	1	7	201	5	6	2		11	2	12
24334	28	27	3	10	13	93	84	1	13	3	14	29	6	6	6		11	2	12
24335	4	6	6	13	11	96	87	1	2	1	6	39	2	3	4		11	2	12
24336	28	59	3	10	12	97	90	1	9	1	13	50	6	7	2		11	2	12
24337	13	27	3	12	21	93	80	1	14	1	99	23	100	14	10		11	2	12
24338	14	2	4	12	13	88	80	1	13	1	10	23	5	6	10		11	2	12
24341	13	72	3	13	13	88	80	1	14	5	10	23	5	6	10		11	2	12
24343	13	25	3	12	13	93	80	1	14	1	7	31	5	6	2		11	2	12

Contact Your Kohler engine parts supplier for any specifications not listed.

Contact Your Kohler Generator parts supplier for Generator Specifications.

For Short Blocks and Replacement Engines
refer to Selection Guide TP-2166

SPECIFICATION NUMBER INDEX

Group Title & Number	Air Intake	Baffles & Shroud	Breather & Vent	Camshaft & Valves	Carburetor	Crankcase	Crankshaft	Cylinder Head	Dipstick	Electric Start	Exhaust	Flywheel	Fuel Pump	Governor	Ignition	Instrument Panel	Piston & Rod	Oil Pump	Gasket Set
	1	2	3	4	5	7	8	9	10	11	12	13	14	17	18	19	22	25	39
Page	6	8	10	11	12	14	16	17	18	19	20	21	22	22	24	26	28	29	30
Grid	A6	A8	A10	A11	A12	A14	B2	B3	B4	B5	B6	B7	B8	B8	B10	B12	B14	C1	C2

**MODEL
KT19
SERIES II**

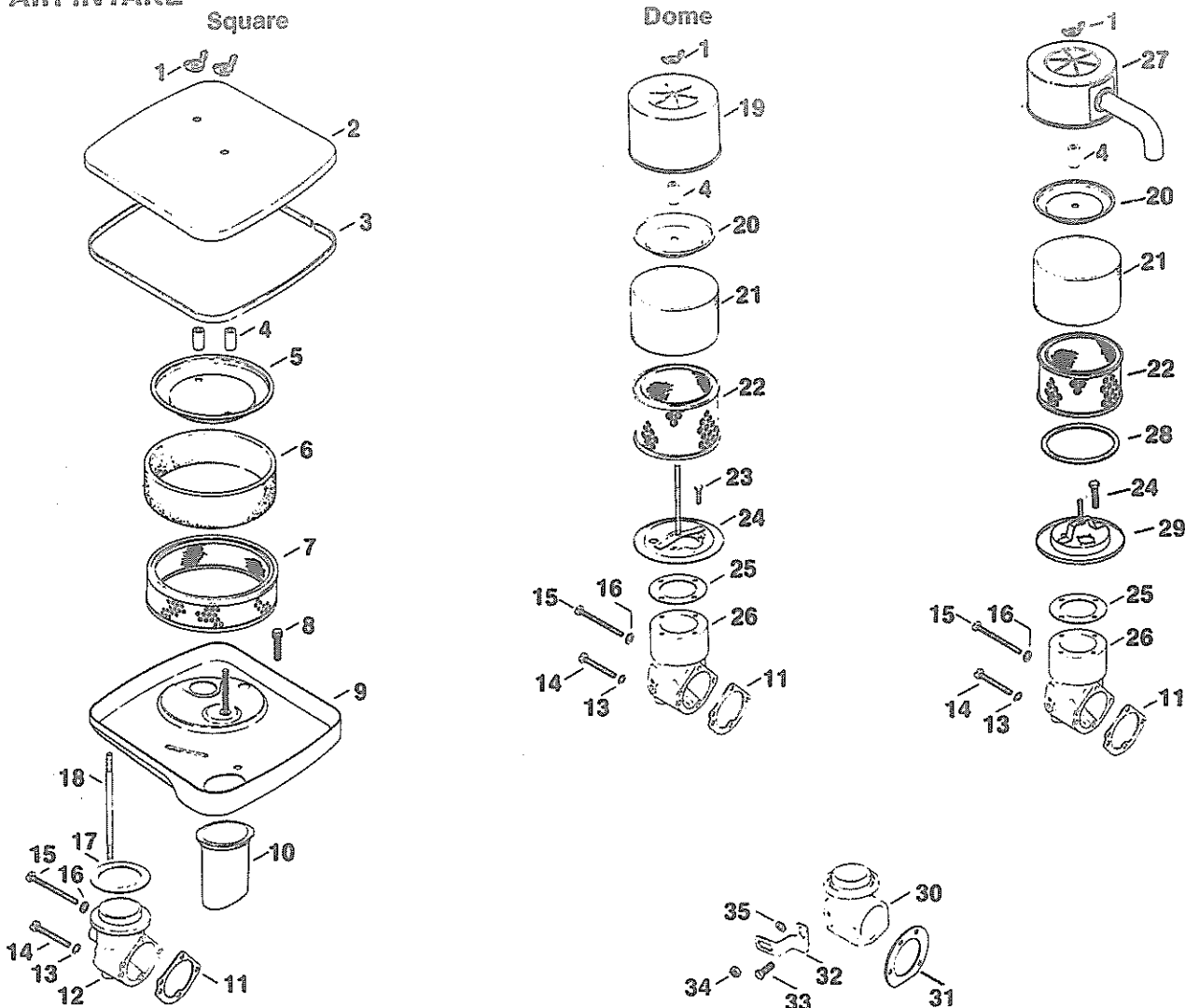
Spec. No.	Variation Number																		
49200	14	9	4	14	13	89	81	5	12	1	10	23	5	6	10		12	2	12
49201	14	22	4	11	12	99	92	5	15	5		26	8	7	2		12	2	12
49202	27	61	3	11	13	100	93	5	12	5	14	29	6	6	6		12	2	12
49203	14	7	4	14	13	89	81	5	12	1	7	23	5	6	10		12	2	12
49205	13	61	3	11	13	101	92	5	10	1	7	31	5	6	2		12	2	12
49206	31	7	4	11	13	100	93	5	12	1	7	201	5	6	2		12	2	12
49214	14	9	4	14	23	89	81	5	12	1	10	23	5	15	2	1	12	2	12
49217	23	70	5	11	13	89	81	5	10	5	7	43	5	6	10		12	2	12
49225	13	61	3	14	13	101	92	5	15	1	7	31	5	6	2		12	2	12
49226	13	33	3	14	13	100	93	5	15	1	7	201	5	6	2		12	2	12

Contact Your Kohler engine parts supplier for any specifications not listed.

For Short Blocks and Replacement Engines refer to Selection Guide TP-2166

KT17-KT19 SERIES II

Group 1 AIR INTAKE



Index Number	Description Variation Number	Part Number	Index Number	Description Variation Number	Part Number
1	Wing nut 1/4-20 13, 27, 28, 29, 30	X-276-7	9	Base, air cleaner 14, 31	52 201 07
1	Wing nut 1/4-20 (2) 14, 31	X-276-7	10	Tube, air intake 14, 31	47 134 02
2	Cover, air cleaner—Square 14, 31	52 082 02	11	Gasket, elbow 4, 13, 23, 27, 28, 29, 30, 31	277069
3	Seal, air cleaner cover 14, 31	52 032 01	12	Elbow, air cleaner 4	52 054 16
4	Seal, element cover (2) 13, 14, 27, 28, 29, 30, 31	231032	12	Elbow, air cleaner 14, 31	52 054 17
5	Cover, air cleaner element 14, 31	52 082 03	13	Washer, I.T. #10 (2) 4, 13, 14, 18, 23, 27, 28, 29, 30, 31	X-22-9
6	Precleaner 14, 31	52 083 01	14	Screw, sltd. pan hd. 10-32 x 1-1/2 (2) 4, 13, 14, 23, 27, 28, 29, 30, 31	X-50-57
7	Element, air cleaner 14, 31	47 083 01	14	Screw, H.H.M. 10-32 x 1-3/4 (2) 18	52 086 05
8	Screw, hex. wash. hd. 1/4-20 x 7/16 14, 31	X-67-83	15	Screw, sltd. pan hd. 10-32 x 2-1/4 4, 13, 14, 23, 27, 28, 29, 30, 31	X-50-37
			15	Screw, H.H.M. 10-32 x 2-3/8 18	52 086 04

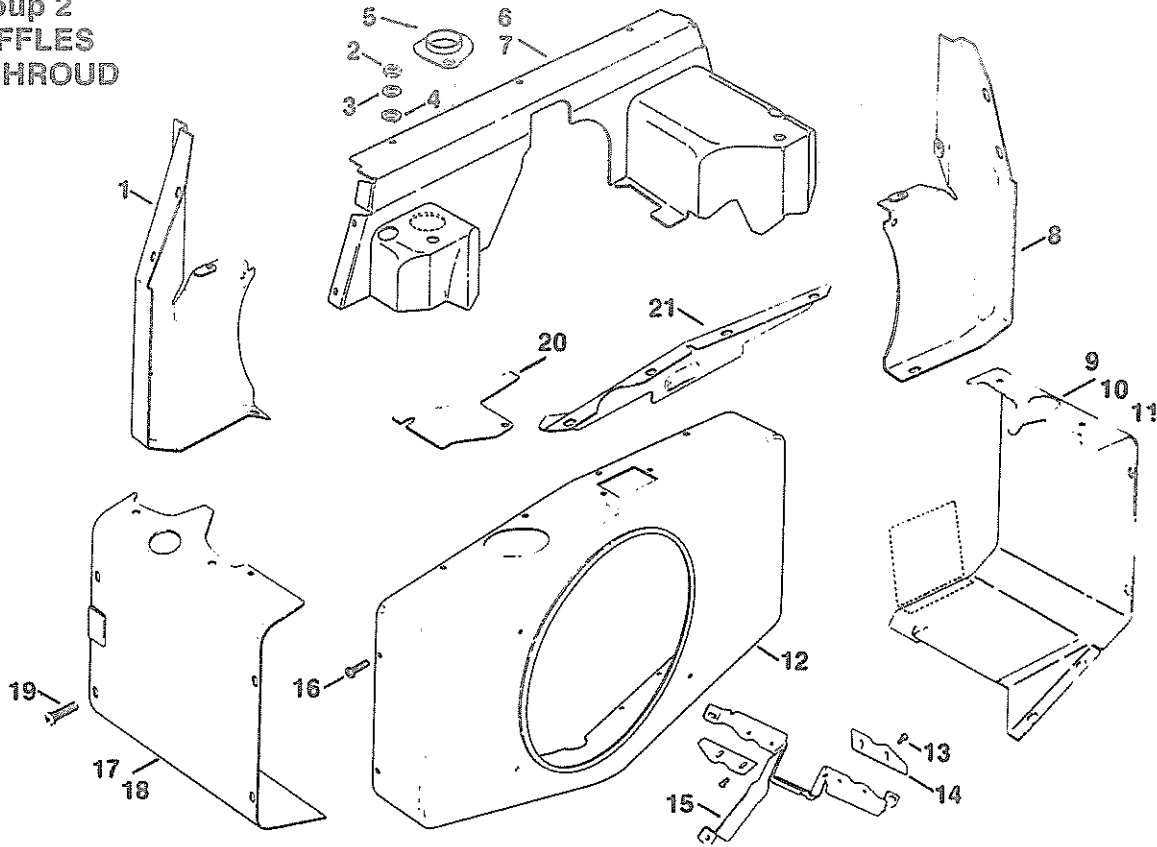
KT17-KT19 **SERIES II**

AIR INTAKE
(Cont'd)

Index Number	Description Variation Number	Part Number	Index Number	Description Variation Number	Part Number
16	Washer, plain #10 4, 13, 14, 18, 23, 27, 28, 29, 30, 31	X-25-79	26	Elbow, air cleaner 23	52 054 26
17	Gasket, air cleaner 4, 14, 31	52 055 04	27	Cover, air cleaner—Anti-Icing—5-7/16" tube 27, 28	52 254 11
18	Stud 1/4-20 x 4-3/4 4, 14, 31	X-352-38	27	Cover, air cleaner—Anti-Icing—4-7/16" tube 29	52 254 12
19	Cover, air cleaner—Dome 13, 30	45 082 01	28	Seal, air cleaner cover 27, 28, 29	237423
20	Cover, air cleaner element 13, 27, 28, 29, 30	52 082 04	29	Base, air cleaner 27, 28, 29	52 201 06
21	Precleaner 13, 27, 28, 29, 30	45 083 01	30	Elbow, air cleaner 18	52 054 25
22	Element 13, 27, 28, 29, 30	45 083 02	31	Gasket, air horn 18	52 041 12
23	Screw, H.C. 10-32 x 9/16 (4) 13, 27, 28, 29, 30	X-67-98	32	Brace, air cleaner elbow 18	52 120 01
24	Base, air cleaner 13, 30	52 094 06	33	Screw, H.C. 10-32 x 7/16 18	X-67-64
25	Gasket, air cleaner 13, 27, 28, 29, 30	277093	34	Nut, hex. 5/16-18 18	X-82-2
26	Elbow, air cleaner 13, 27, 28, 29, 30	52 054 15	35	Washer, plain 5/16 18	X-25-44

KT17-KT19 SERIES II

Group 2 BAFFLES & SHROUD

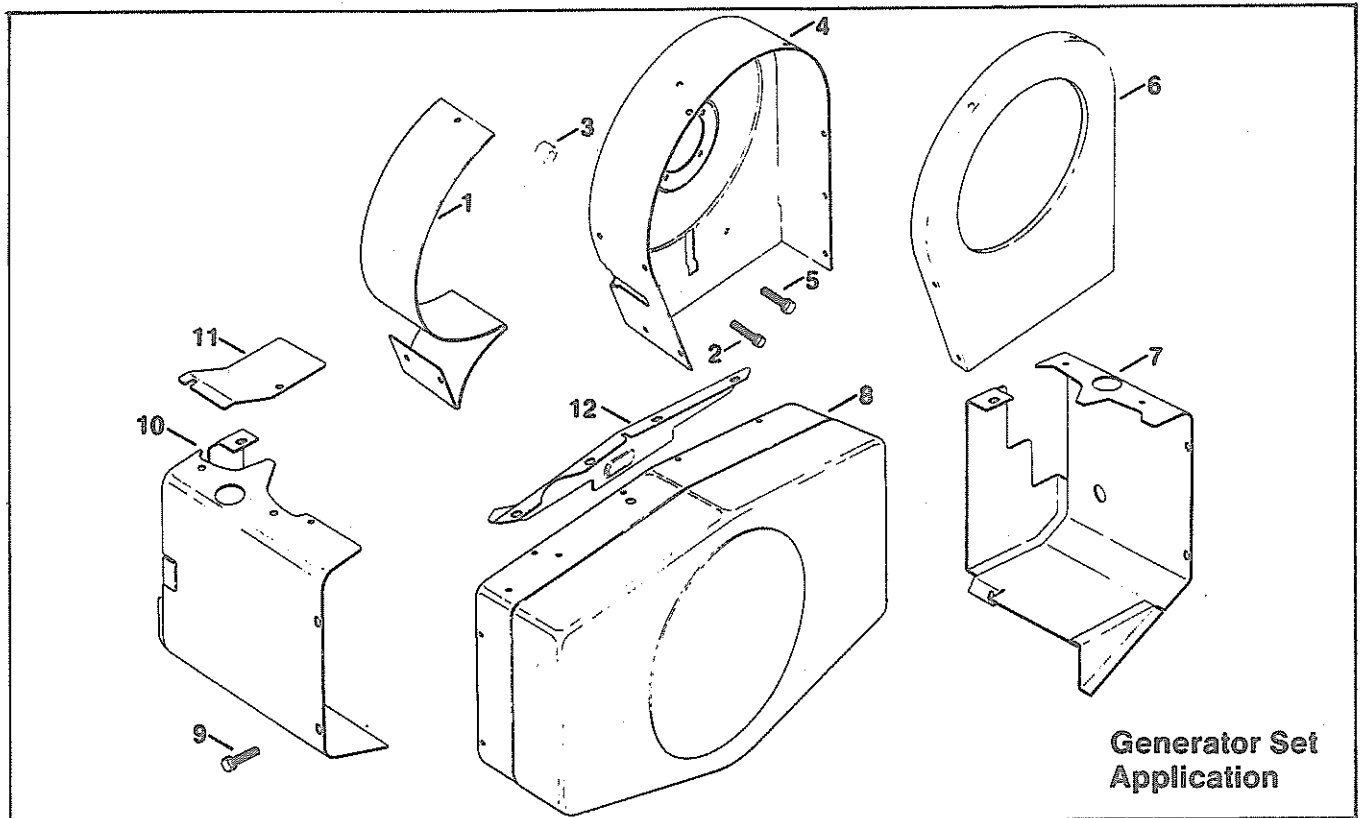


Index Number	Description Variation Number	Part Number	Index Number	Description Variation Number	Part Number
1	Duct, #2 side air 3, 43, 52, 66	52 281 09	11	Baffle, #1 cylinder head - with rear cyl. baffle 29, 43, 66	52 124 24
1	Duct, #2 side air 7, 33, 70	52 281 05	11	Baffle, #1 cylinder head - with rear cyl. baffle 51, 52	52 124 31
2	Nut 5/16 - 18 (2) 3, 7, 33, 43, 51, 52, 66, 70	X-82-2	11	Baffle, #1 cylinder head - with rear cyl. baffle 70	52 124 37
3	Washer, plain 1/4 (3) 51	X-25-20	12	Housing, blower 2, 3, 7, 9,	52 027 07
4	Washer, split 5/16 7	X-21-2	12	Housing, blower 16, 22	52 027 10
5	Plate, heater 66	52 146 06	12	Housing, blower 25, 27, 29, 33, 43, 51, 52, 61, 66, 70 72	52 027 09
6	Cover, air duct 3, 7, 33, 43, 51, 52, 70	52 282 01	12	Housing, blower 59	52 027 15
7	Cover, air duct-w/heater plate hole 66	52 282 03	12	Housing, blower 60	52 027 16
8	Duct, #1 side air 3, 43, 52, 66	52 281 08	13	Screw, hex. wash. hd. 10-32 (4) 16, 22	X-67-64
8	Duct, #1 side air 7, 33, 70	52 281 04	14	Plate, adjusting (2) 16, 22	52 146 05
9	Baffle, #1 cylinder head 2, 16, 27, 59, 60	52 124 01	15	Deflector, grass 16, 22	52 265 04
9	Baffle, #1 cylinder head 3	52 124 03	16	Screw, hex. wash. hd. 1/4-20 x 7/16 (21) 2, 25, 27, 29, 59, 60	X-67-83
9	Baffle, #1 cylinder head 7, 33	52 124 36	16	Screw, hex. wash. hd. 1/4-20 x 7/16 (28) 3, 7, 33, 43, 52, 66	X-67-83
10	Baffle, #1 cylinder head - with rear cyl. baffle 25, 72	52 124 23			
10	Baffle, #1 cylinder head - with rear cyl. baffle 9, 22, 61.	52 124 05			

KT17-KT19 SERIES II

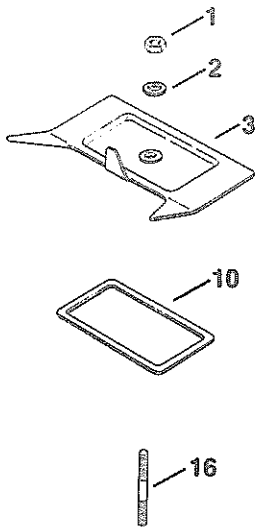
BAFFLES & SHROUD
(Cont'd.)

Index Number	Description Variation Number	Part Number	Index Number	Description Variation Number	Part Number
16	Screw, hex. wash. hd. 1/4-20 x 7/16 (20) 9, 51, 61, 72	X-67-83	18	Baffle, #2 cylinder head - with rear cyl. baffle 25	52 124 18
16	Screw, hex. wash. hd. 1/4-20 x 7/16 (24) 16	X-67-83	18	Baffle, #2 cylinder head - with rear cyl. baffle 9, 70	52 124 28
16	Screw, hex. wash. hd. 1/4-20 x 7/16 (27) 70	X-67-83	18	Baffle, #2 cylinder head - with rear cyl. baffle 72	52 124 30
16	Screw, hex. wash. hd. 1/4-20 x 7/16 (23) 22	X-67-83	19	Screw, hex. hd. 1/4-20 x 9/16 9, 22, 61, 72	X-67-69
17	Baffle, #2 cylinder head 2, 3, 16, 27, 29, 43, 52, 59, 60, 66	52 124 02	20	Baffle, #2 cylinder top 2, 3, 7, 9, 16, 22, 25, 27, 29, 33, 43 51, 52, 59, 60, 61, 66, 70, 72	52 063 01
17	Baffle, #2 cylinder head 51	52 124 35	21	Support, upper housing 2, 3, 7, 9, 16, 22, 25, 27, 29, 33, 43 51, 52, 59, 60, 61, 66, 70, 72	52 217 01
18	Baffle, #2 cylinder head - rear cyl. baffle 7, 22, 33, 61	52 124 11			

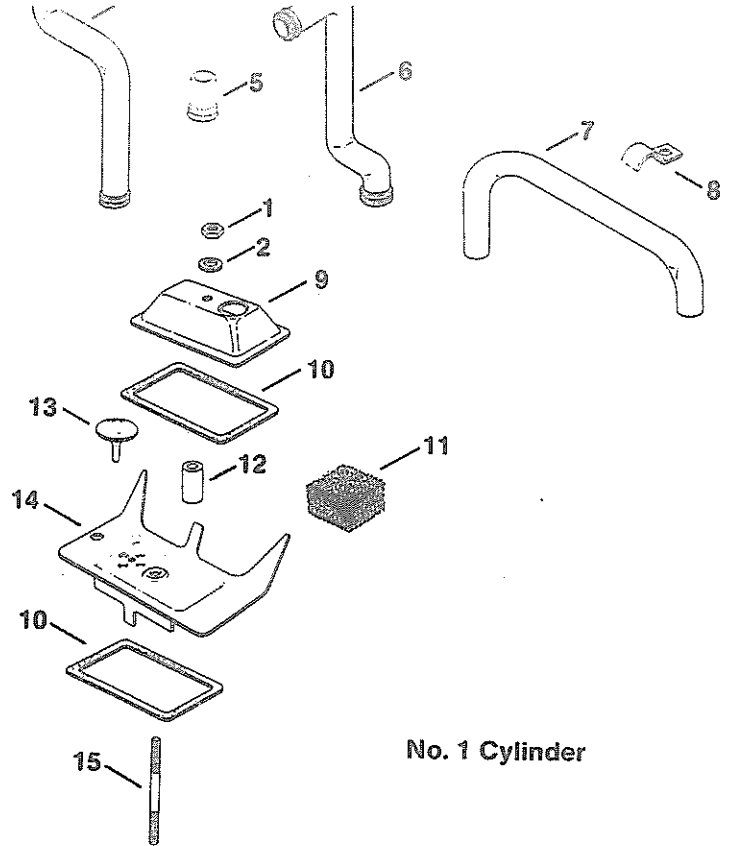


Index Number	Description Variation Number	Part Number	Index Number	Description Variation Number	Part Number
1	Baffle 6	52 063 07	7	Baffle, #1 cylinder head 6	52 063 08
2	Screw, hex. wash. hd. 1/4-20 x 1 (2) 6	X-67-96	8	Housing, blower 6	52 027 03
3	Spacer (2) 6	X-400-121	9	Screw, hex. wash. hd. 1/4-20 x 7/16 (27) 6	X-67-83
4	Scroll 6	52 416 01	10	Baffle, #2 cylinder head 6	52 063 09
5	Screw, hex. wash. hd. #10-24 x 3/8 (4) 6	X-67-97	11	Baffle, #2 cylinder top 6	52 063 02
6	Cover, scroll 6	52 096 10	12	Support, upper housing 6	52 217 01

& VENT



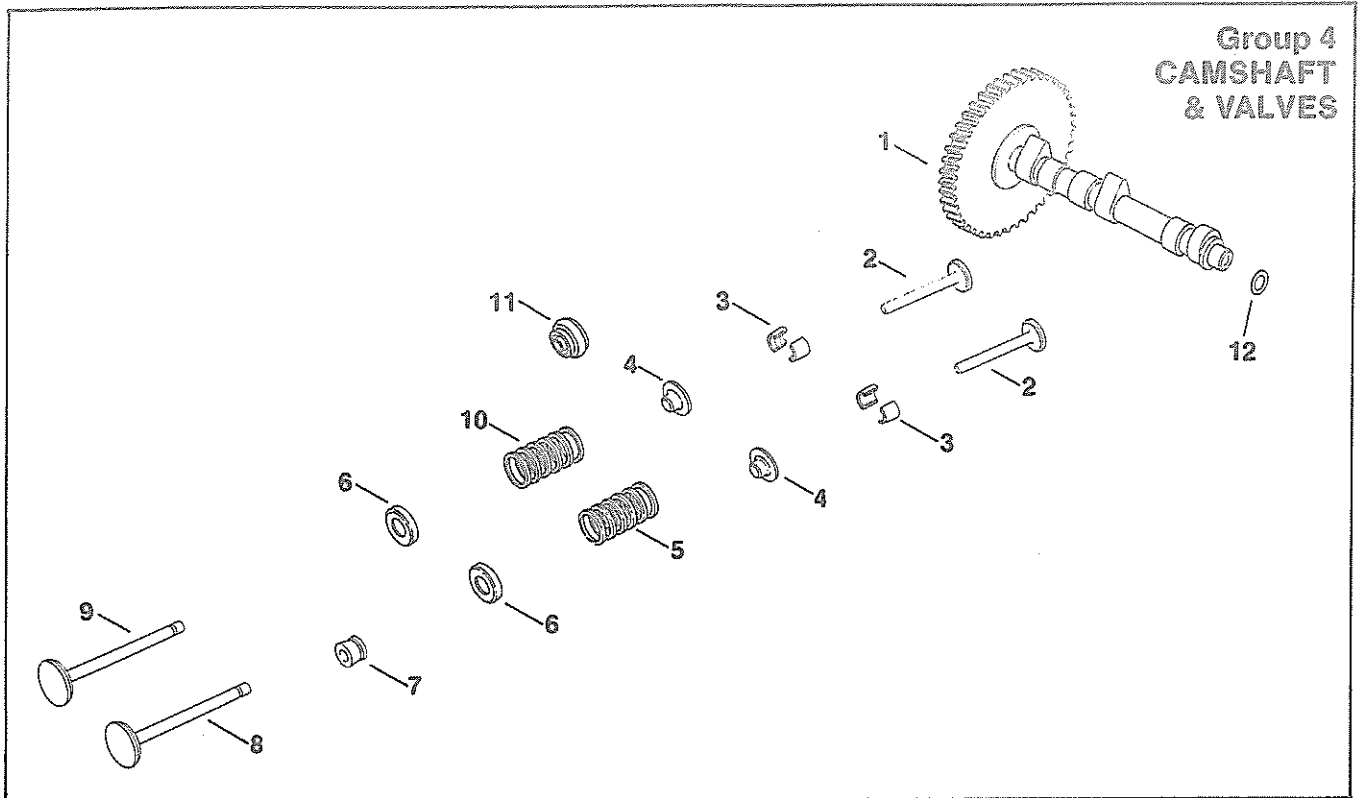
No. 2 Cylinder



No. 1 Cylinder

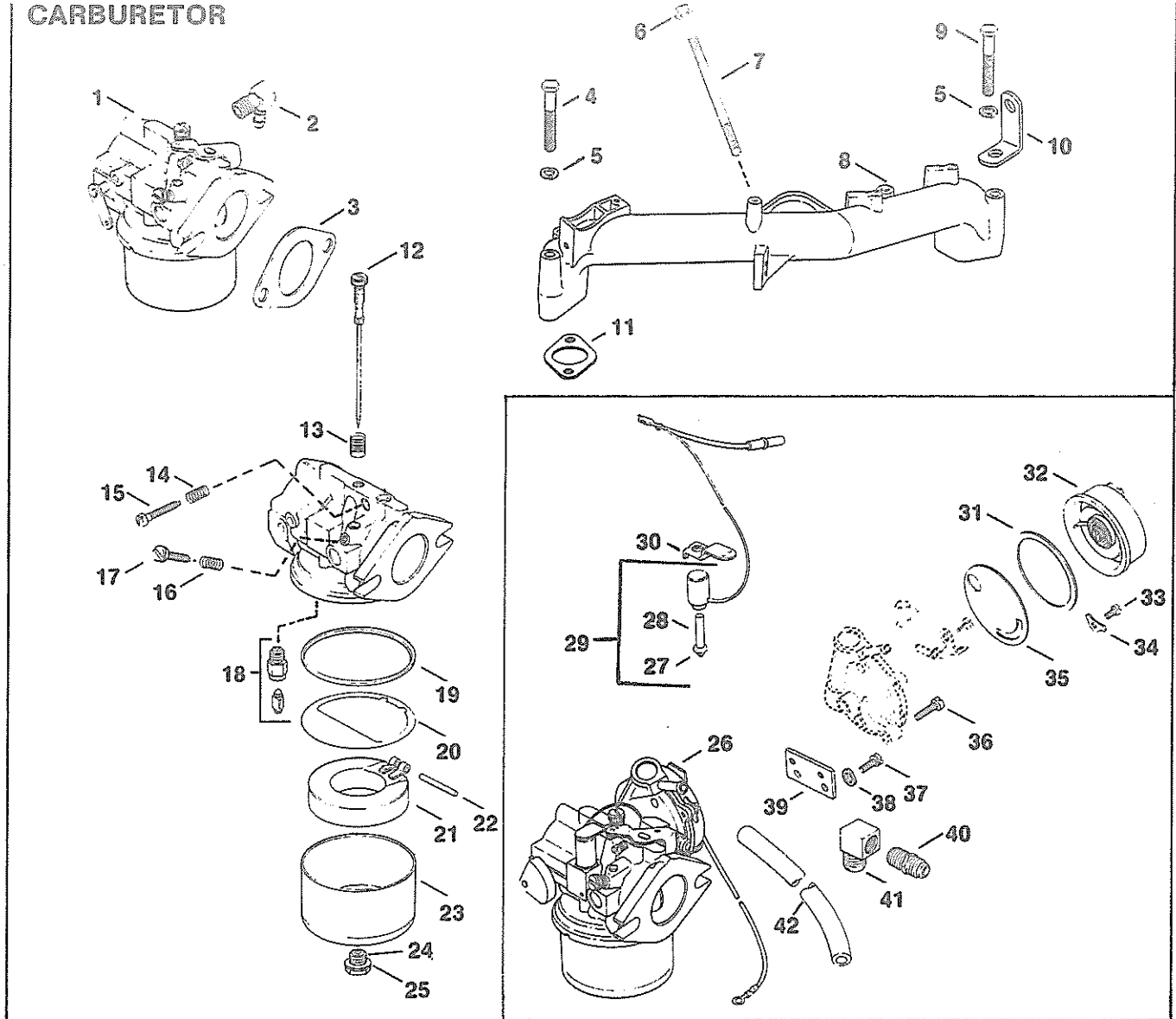
Index Number	Description Variation Number	Part Number	Index Number	Description Variation Number	Part Number
1	Nut, hex 1/4-20 (2) 3, 4, 5, 6	X-81-1	9	Cover, #1 upper cyl. valve 3, 4, 5, 6	52 096 08
2	Washer, plain 1/4" (2) 3, 4, 5, 6	X-25-12	10	Gasket, valve cover (3) 3, 4, 5, 6	52 055 01
3	Cover, #2 cylinder valve 3, 4, 5	52 096 18	11	Filter, breather 3, 4, 5, 6	231419
3	Cover, #2 cylinder valve 6	52 254 08	12	Seal, breather 3, 4, 5, 6	52 032 04
4	Hose, breaker 3	52 326 05	13	Valve, umbrella 3, 4, 5, 6	52 462 01
4	Hose, breather 4	52 326 06	14	Cover, #1 lower cyl. valve 3, 4, 5	52 096 22
5	Hose, breather 5	52 326 07	14	Cover, #1 lower cyl. valve 6	52 254 07
6	Hose, breather 6	52 326 08	15	Stud, #1 cyl. valve cover - 1/4-20 x 3-1/4 3, 4, 5, 6	275220
7	Tube, breather 5	52 123 05	16	Stud, #2 cyl. valve cover - 1/4-20 x 2-1/4 3, 4, 5, 6	X-352-39
8	Clip, tube 5	52 154 02			

KT17-KT19 SERIES II



Index Number	Description Variation Number	Part Number	Index Number	Description Variation Number	Part Number
1	Camshaft 10, 11, 12, 13, 14	52 012 06	8	Valve, intake (2) 13	52 017 02
2	Tappet (4) 10, 11, 12, 13, 14	52 019 02	8	Valve, intake (2) 11, 14	52 017 05
3	Kit, retainer (4) 10, 11, 12, 13, 14	41 755 10	9	Valve, exhaust (2) 10	52 016 01
4	Retainer, spring (4) 10, 11	230011	9	Valve, exhaust (2) 12, 13	52 016 02
4	Retainer, spring (2) 12, 13, 14	230011	9	Valve, exhaust (2) 14	52 016 04
5	Spring, intake valve (2) 10, 11, 12, 13, 14	230010	9	Valve, exhaust (2) 11	52 016 03
6	Retainer, spring (4) 10, 11, 12, 13, 14	52 018 01	10	Spring, exhaust valve (2) 10, 11	230010
7	Seal, valve stem (2) 10, 11, 12, 13, 14	52 032 05	10	Spring, exhaust valve (2) 12, 13, 14	230168
8	Valve, intake (2) 10, 12	52 017 01	11	Rotator, valve (2) 12, 13, 14	230020
			12	Spacer, camshaft .0055/.0045 (A.R.) 10, 11, 12, 13, 14	52 422 03

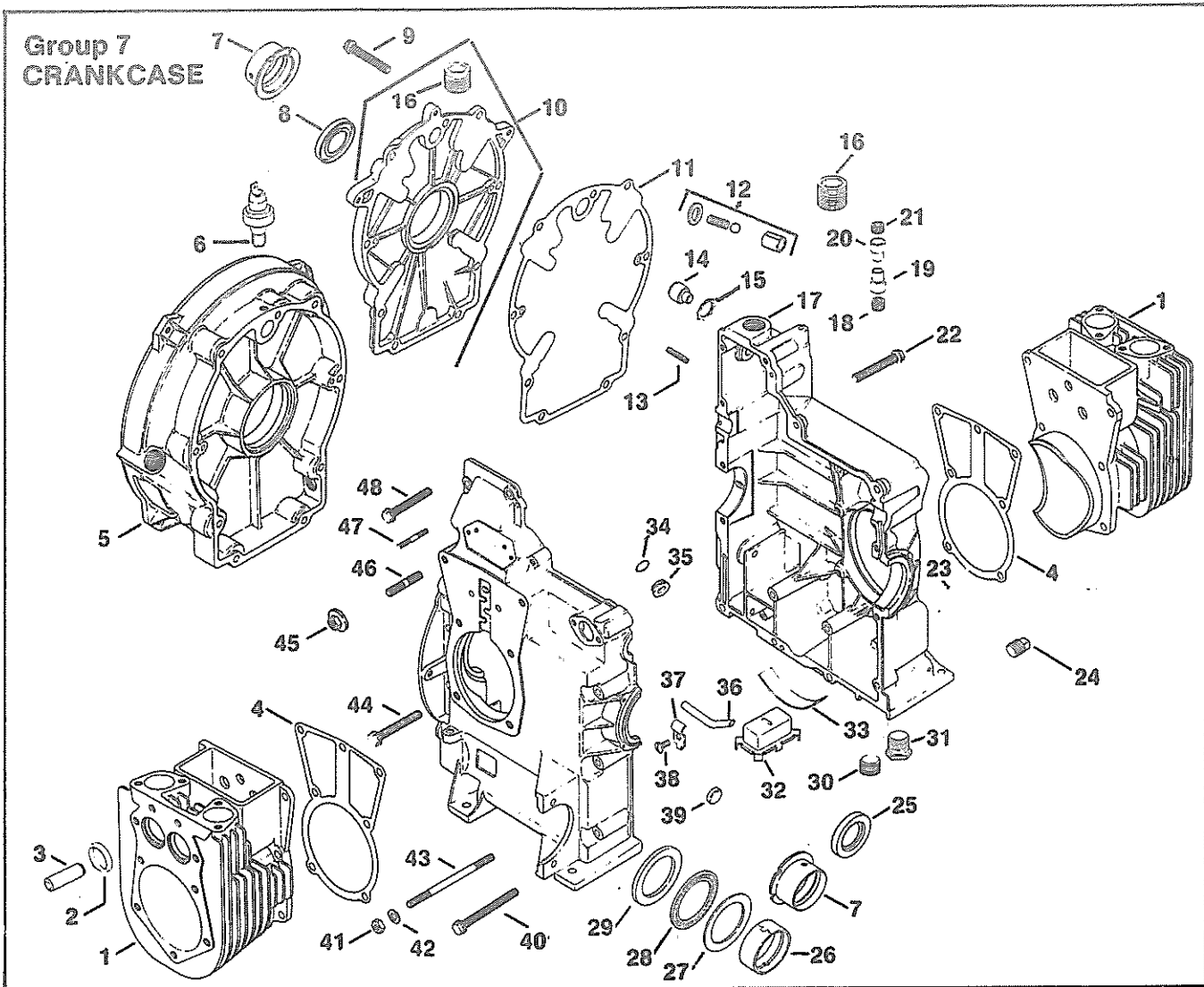
CARBURETOR



Index Number	Description Variation Number	Part Number	Index Number	Description Variation Number	Part Number
1	Carburetor - assembly (Includes 12 thru 25) 12, 15	52 053 18	4	Screw, H.C. 5/16-18 x 2-3/4 15	X-6-8
1	Carburetor - assembly (Includes 12 thru 25) 13, 23	52 053 09	5	Washer, lock 5/16 (4) 11, 12, 13, 15, 20, 21, 23	X-21-1
1	Carburetor - assembly (Includes 12 thru 25) 20	52 053 16	6	Nut, hex. jam 5/16-18 (2) 11, 12, 13, 15, 20, 21, 23	X-77-2
1	Carburetor - assembly (Includes 12 thru 25, 27 thru 30) 21	52 053 28	7	Stud 5/16-18 x 1 (2) 11, 12, 13, 15, 20, 21, 23	X-352-37
2	Connector, hose (Replaced by 25 155 02) 12, 13, 15, 20, 21, 23	X-391-1	8	Manifold, intake (Replaced by 52 164 06) 12, 13, 15, 20, 21	52 164 01
3	Gasket, carburetor 11, 12, 13, 15, 20, 21, 23	271030	8	Manifold, intake 11	52 358 02
4	Screw, H.C. 5/16-18 x 2-3/4 (2) 11, 12, 13, 20, 21, 23	X-6-8	8	Manifold, intake 23	52 164 06
			9	Screw, H.C. 5/16-18 x 2-7/8 (3) 11, 12, 13, 20	X-6-54
			9	Screw, H.C. 5/16-18 x 2-7/8 (2) 10, 15, 21, 23	X-6-54

Index Number	Description Variation Number	Part Number	Index Number	Description Variation Number	Part Number
10	Strap, lifting (2) 11, 12, 13, 15, 20, 21, 23	52 445 02	27	Ring, "O" 11, 21	41 141 03
11	Gasket, intake manifold (2) 11, 12, 13, 15, 20, 21, 23	52 041 09	28	Plunger, solenoid 11, 21	41 385 01
12	Needle, main fuel adj. 12, 13, 15, 20, 21, 23	52 103 01	29	Kit, solenoid 11, 21	41 755 12
12	Needle, main fuel adj. 11	52 103 02	30	Bracket, solenoid 11	45 126 12
13	Spring, main fuel 11, 12, 13, 15, 20, 21, 23	200363	30	Bracket, solenoid 21	52 126 04
14	Spring, idle speed 11, 12, 13, 15, 20, 21, 23	232555	31	Gasket 11	277281
15	Screw, idle speed adj. 11, 12, 13, 15, 20, 21, 23	232556	32	Heater, choke 11	52 175 01
16	Spring, idle fuel 11, 12, 13, 15, 20, 21, 23	200380	33	Screw, F.H.M. 8-32 x 1/4 (2) 11	X-14-6
17	Needle, idle fuel adj. 12, 13, 15, 20, 21, 23	277210	34	Retainer, choke heater (2) 11	277275
17	Needle, idle fuel adj. 11	235006	35	Plate, baffle 11	277297
18	Fuel inlet needle & seat <i>Available only in carburetor repair kit 25 757 02</i>		36	Screw, F.H.M. 10-32 x 7/16 (2) 11	X-15-14
19	Gasket, bowl 11, 12, 13, 15, 20, 21, 23	200375*	37	Screw, F.H.M. 10-32 x 5/8 (2) 11	X-15-1
20	Gasket, bowl baffle 11, 12, 13, 15, 20, 21, 23	25 041 02	38	Washer, lock #10 (2) 11	X-19-1
21	Float Kit (includes #20) 11, 12, 13, 15, 20, 21, 23	25 259 03	39	Bracket, choke 11	48 126 01
22	Pin, float hinge 11, 12, 13, 15, 20, 21, 23	200376*	40	Connector 11	X-296-1
23	Bowl, fuel 11, 12, 13, 15, 20, 21, 23	235448	41	Elbow 11	X-555-2
24	Screw, bowl retainer 11, 12, 13, 15, 20, 21, 23	47 100 06	42	Line, fuel 11	X-810-8
25	Gasket, bowl retainer screw 11, 12, 13, 15, 20, 21, 23	200372	*included in Carburetor repair kit 25 757 02		
26	Carburetor - assembly (Includes 12 thru 25, 27 thru 42) 11	52 053 15	Not Illustrated		
	Kit, carburetor repair ALL	25 237 02	Lead, choke ground (10" - 18 gauge -push on tab and uninsulated barrel eyelet terminals) 11		
			Lead, solenoid ground (5" - 18 gauge - push on tab and uninsulated barrel eyelet terminals) 11, 21		

KT17-KT19 SERIES II



Index Number	Description Variation Number	Part Number	Index Number	Description Variation Number	Part Number
1	Barrel, cylinder (2) (Includes 2 & 3) 88, 91, 92, 93, 94, 96, 97	52 565 27	7	Bearing, sleeve - P.T.O. end 97	52 030 10
1	Barrel, cylinder (2) (Includes 2 & 3) 89, 99, 100, 101	52 565 41		Bearing, sleeve .010 U.S.	52 030 11
2	Insert, valve seat (4) 88, 89, 91, 92, 93, 94, 96, 97, 99, 100, 101	230265		Bearing, sleeve .020 U.S.	52 030 12
3	Guide, valve (2) 88, 89, 91, 92, 93, 94, 96, 97, 99, 100, 101	52 316 06	8	Seal, rear oil 88, 91, 92, 93, 96, 97, 101	X-583-5
4	Gasket, cylinder barrel (2) ALL	52 041 04	8	Seal, rear oil (2) 94, 99	X-583-5
5	Adapter, generator 96	52 029 07	8	Seal, rear oil 89, 100	52 032 08
6	Switch, low oil pressure cutout 96	52 099 03	9	Screw, washer hd. 5/16-18 x 1 (9) ALL	X-802-9
7	Bearing, sleeve (2) 88, 89, 91, 92, 93, 94, 96, 99, 100, 101	52 030 10	10	Plate, rear closure 91	52 755 41
	Bearing, sleeve .010 U.S.	52 030 11	10	Plate, rear closure 92, 93, 97, 100, 101	52 755
	Bearing, sleeve .020 U.S.	52 030 12	10	Plate, rear closure 88, 89	52 755 43
			10	Plate, rear closure 94, 99	52 755 44

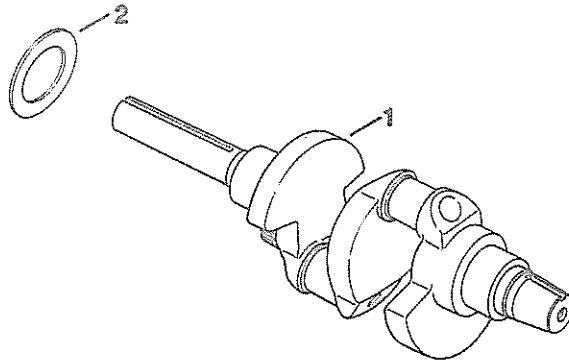
KT17-KT19 SERIES II

CRANKCASE (Cont'd.)

Index Number	Description Variation Number	Part Number	Index Number	Description Variation Number	Part Number
11	Gasket, rear closure plate 88, 89, 91, 92, 93, 94, 95, 97, 99, 100, 101	52 041 08	30	Plug, hex. ctsk. hd. 3/8 (2) 88, 89, 92, 93, 97, 100, 101	X-75-32
12	Kit, oil relief 88, 89, 91, 92, 93, 94, 96, 97, 99, 100 101	52 755 33	31	Plug, bottom drain 3/8 92	52 139 02
13	Pin, roll ALL	X-280-10	32	Housing, oil 88, 89, 91, 92, 93, 94, 96, 97, 99, 100 101	52 095 03
14	Shaft, governor ALL	52 078 02	33	Clip, spring 88, 89, 91, 92, 93, 94, 96, 97, 99, 100 101	52 237 02
15	Ring, retaining ALL	X-269-43	34	O-Ring 88, 89, 91, 92, 93, 94, 96, 97, 99, 100 101	52 141 02
16	Plug, pipe - hex/ ctsk. 1/16 88, 91, 92, 93, 94, 97, 99, 100, 101	52 139 07	35	Plug 3/4" O.D. 88, 89, 91, 92, 93, 94, 96, 97, 99, 100 101	52 139 08
16	Plug, pipe - hex/ ctsk. 1/16 (2) 89	52 139 07	36	Tube, oil pickup 88, 89, 91, 92, 93, 94, 96, 97, 99, 100 101	52 123 10
17	Crankcase Service with a SHORT BLOCK. Refer to KT17-KT19 Series III Selection Guide TP-2166.		37	Clamp 88, 89, 91, 92, 93, 94, 96, 97, 99, 100 101	52 237 04
18	Bearing, lower needle 96	52 030 03	38	Screw 88, 89, 91, 92, 93, 94, 96, 97, 99, 100 101	X-67-64
19	Bushing, lower 96	52 158 02	39	Plug, cup 5/16 88, 89, 91, 92, 93, 94, 96, 97, 99, 100 101	X-702-15
20	Bushing, upper 96	52 158 03	40	Screw, hex. flange 5/16-18 x 3-1/2 (6) ALL	X-802-7
21	Bearing, upper needle 96	52 030 04	41	Nut, hex. 5/16-18 (2) 88, 89, 92, 93, 94, 96, 97, 99, 100, 101	X-82-2
22	Screw, hex. flange 5/16-18 x 2 (2) ALL	X-802-8	41	Nut, hex. 5/16-18 (3) 91	X-82-2
23	Plug, hex. ctsk. 1/8 96	X-75-23	42	Washer, plain (3) 91	41 468 01
24	Plug, solid sq. hd. 3/8 88, 89, 91, 93, 94, 96, 97, 99, 100, 101	X-75-10	42	Washer, plain (2) 88, 89, 92, 93, 94, 96, 97, 99, 100, 101	41 468 01
25	Seal, front oil 88, 89, 91, 92, 93, 94, 96, 97, 99, 100 101	52 032 10	43	Stud 5/16-18 x 4-1/8 (2) ALL	X-352-33
26	Bearing, sleeve - flywheel end 97	52 030 14	44	Screw, hex. wash. hd. 3/8-16 x 3-5/8 (2) ALL	X-802-10
	Bearing, sleeve .010 U.S.	52 030 15	45	Nut, whizlock flange 3/8-16 (12) ALL	52 100 03
	Bearing, sleeve .020 U.S.	52 030 16	46	Stud 3/8-16 x 2 (12) 88, 89, 91, 92, 93, 94, 96, 97, 99, 100 101	52 072 01
27	Washer, thrust 97	52 468 09	47	Stud 5/16-18 x 2-1/2 91	52 072 02
28	Bearing, roller thrust 97	52 030 13	48	Screw, hex. flange 5/16-18 x 1-1/2 (2) ALL	X-802-6
29	Washer, thrust 97	52 114 04			
30	Plug, hex. ctsk. hd. 3/8 91, 94, 96, 99	X-75-32			

KT17-KT19 SERIES II

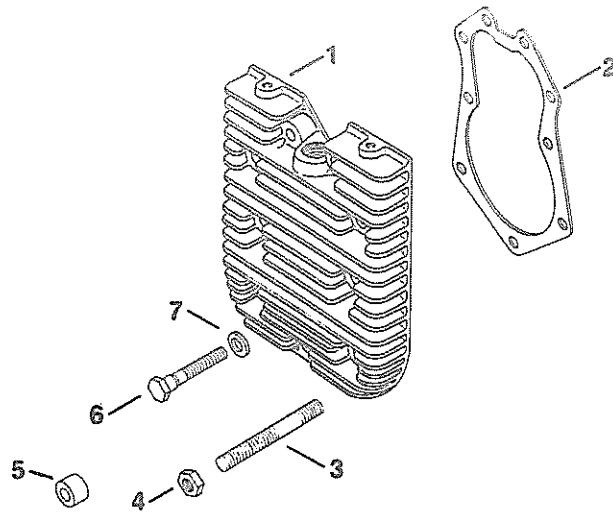
Group 8 CRANKSHAFT



Index Number	Description Variation Number	Part Number	Index Number	Description Variation Number	Part Number
1	Crankshaft (Basic KT17) 80	52 014 63	1	Crankshaft (3-25/32" x 1-1/8" tapped P.T.O.) 90	52 014 73
1	Crankshaft (Basic KT19) 81	52 014 69	1	Crankshaft (3-25/32" x 1-1/8" tapped P.T.O.) 92	52 014 76
1	Crankshaft (2-37/64" x 1-1/8" tapped P.T.O.) 83	52 014 65	1	Crankshaft (2-23/32" x 1-1/4" tapped P.T.O.) 93	52 014 71
1	Crankshaft (2-51/64" x 1-1/8" tapped P.T.O.) 84	52 014 66	2	Washer, thrust .119/.122 (A.R.) 80, 81, 83, 84, 85, 87, 88, 90, 92, 93, 96	52 468 03
1	Crankshaft (3-9/16" x 1" P.T.O.) 85	52 014 64	2	Washer, thrust .128/.131 80, 81, 83, 84, 85, 87, 88, 90, 92, 93, 96	52 468 04
1	Crankshaft (Generator Set) 87	52 014 67	2	Washer, thrust .137/.140 (A.R.) 80, 81, 83, 84, 85, 87, 88, 90, 92, 93, 96	52 468 05
1	Crankshaft (3-9/16" x 1-14 thread—tapped P.T.O.) 88	52 014 68			

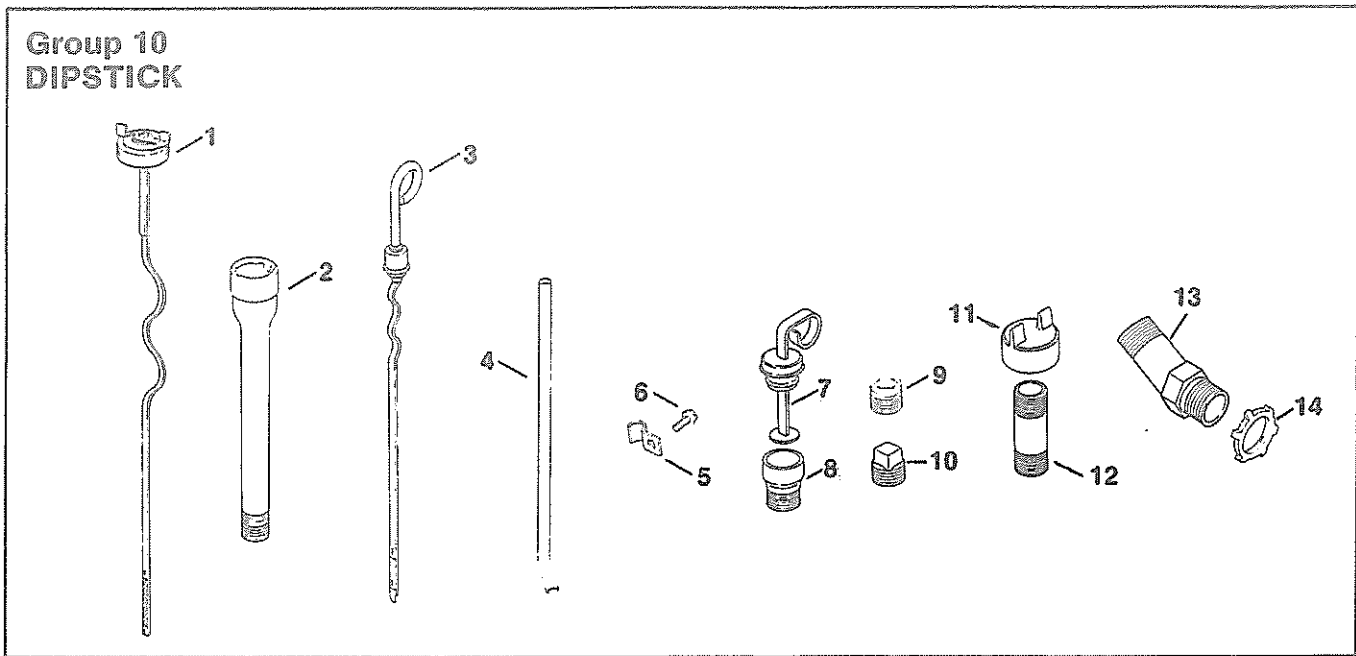
KT17-KT19 SERIES II

Group 9 CYLINDER HEAD



Index Number	Description Variation Number	Part Number	Index Number	Description Variation Number	Part Number
1	Head, cylinder #1 & #2 (2) 1, 8	52 015 06	4	Nut, hex. 5/16-18 8	X-82-2
1	Head, cylinder #1 & #2 (2) 5	52 015 07	5	Spacer 11/32" I.D. 8	52 112 06
2	Gasket, cylinder head (2) 1, 5, 8	52 052 03	6	Screw, cylinder head (18) 1, 5	41 086 02
3	Stud, cylinder head 8	232810	6	Screw, cylinder head (17) 8	41 086 02
			7	Washer, cylinder head (18) 1, 5, 8	220534

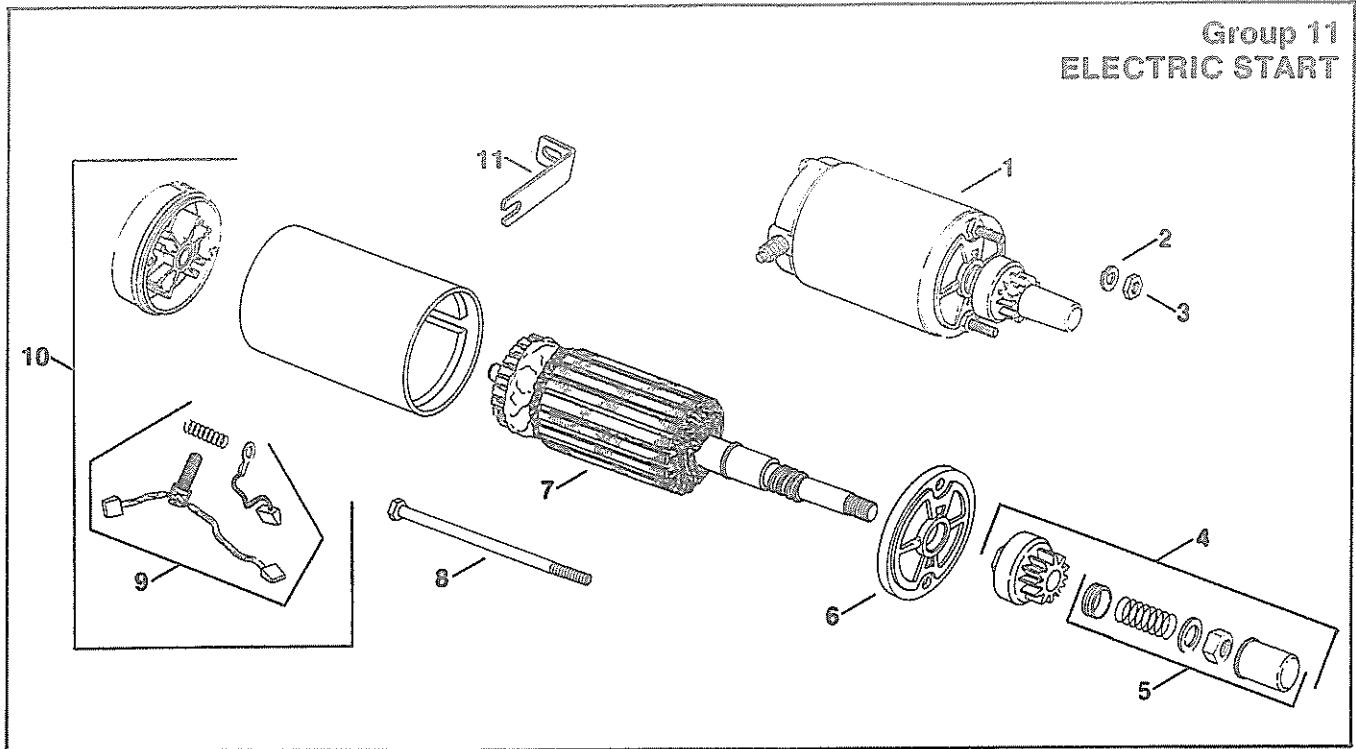
KT17-KT19 *SERIES II*



Index Number	Description Variation Number	Part Number	Index Number	Description Variation Number	Part Number
1	Dipstick, oil level 2	52 272 02	8	Tube, oil fill 8	47 123 08
2	Tube, oil fill 2	277723	9	Plug, oil fill - hex ctsk. hd. 2	47 139 01
3	Dipstick, oil level 9, 10, 12, 13, 14, 15	52 038 04	10	Plug, oil fill - square hd. 9, 10	X-75-6
3	Dipstick, oil level 8	52 038 05	11	Pipe, cap 12, 13, 14, 15	52 173 01
4	Tube, oil level 8, 9, 10, 12, 13, 14, 15	52 123 09	12	Pipe, oil fill 3/4 I.P. x 2-1/2" 12, 13	46 136 02
5	Clip, tube 8, 9, 10, 12, 13, 14, 15	52 154 01	13	Tube, oil fill 14, 15	52 134 04
6	Screw, tapping 10 - 24 x 3/8 8, 9, 10, 12, 13, 14, 15	X-67-64	14	Nut, lock 14, 15	X-427-1
7	Plug, oil fill - dipstick type 8	52 038 02			

KT17-KT19 SERIES II

Group 11 ELECTRIC START

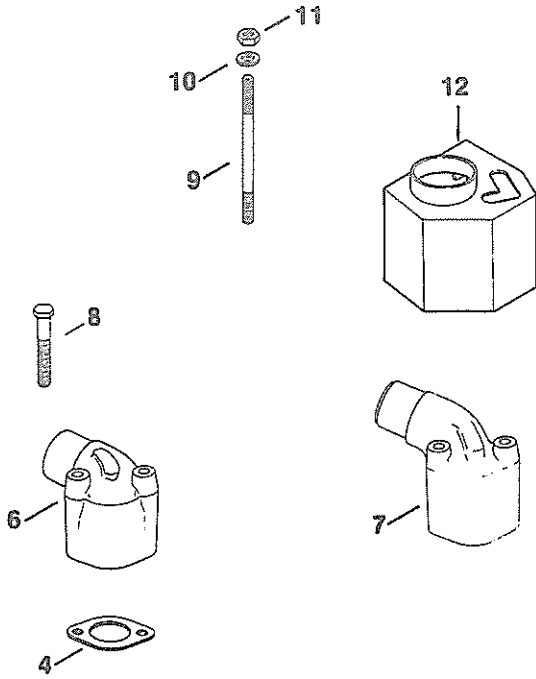


Index Number	Description Variation Number	Part Number	Index Number	Description Variation Number	Part Number
1	Starter - assembly (AMBAC SM-18190) (Includes 4 thru 10) 1	52 098 03	7	Armature 5	52 170 03
1	Starter - assembly (AMBAC SM-18191) (Includes 4 thru 10) 3	52 098 04	8	Bolt, thru (2) 1, 3	52 211 01
1	Starter - assembly (AMBAC SM-21349) (Includes 4 thru 10) 5	52 098 06	8	Bolt, thru (2) 5	52 211 03
2	Washer, split lock 1/4 (2) 1, 3, 5	X-20-1	9	Kit, brush & spring 1	48 755 15
3	Nut, hex 1/4-20 (2) 1, 3, 5	X-81-1	9	Kit, brush & spring 3, 5	52 755 15
4	Kit, drive (Includes 5) 1, 3, 5	52 755 05	10	Kit, commutator end cap (Includes brush holder, brushes & springs) 1	277612
5	Kit, drive parts 1, 3, 5	52 755 08	10	Kit, commutator end cap (Includes brush holder, brushes & springs) 3	52 227 03
6	Cap, drive end 1, 3, 5	52 227 01	10	Kit, commutator end cap (Includes brush holder, brushes & springs) 5	52 227 07
7	Armature 1, 3	52 170 02	11	Bracket, starter support 5	52 126 03

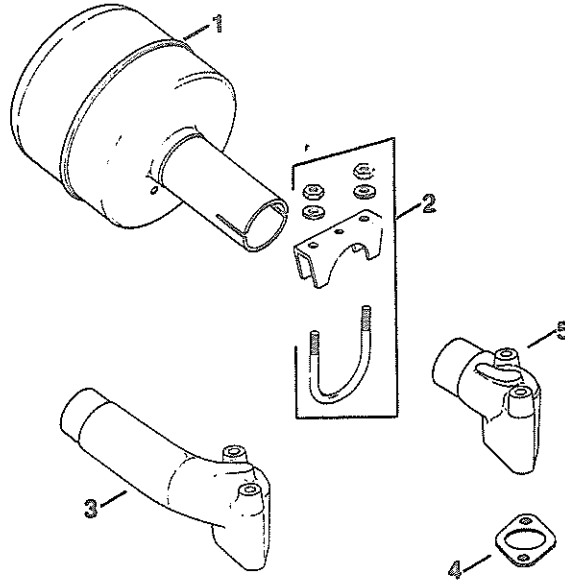
KT17-KT19 SERIES II

Group 12 EXHAUST

No. 2 Exhaust Manifold



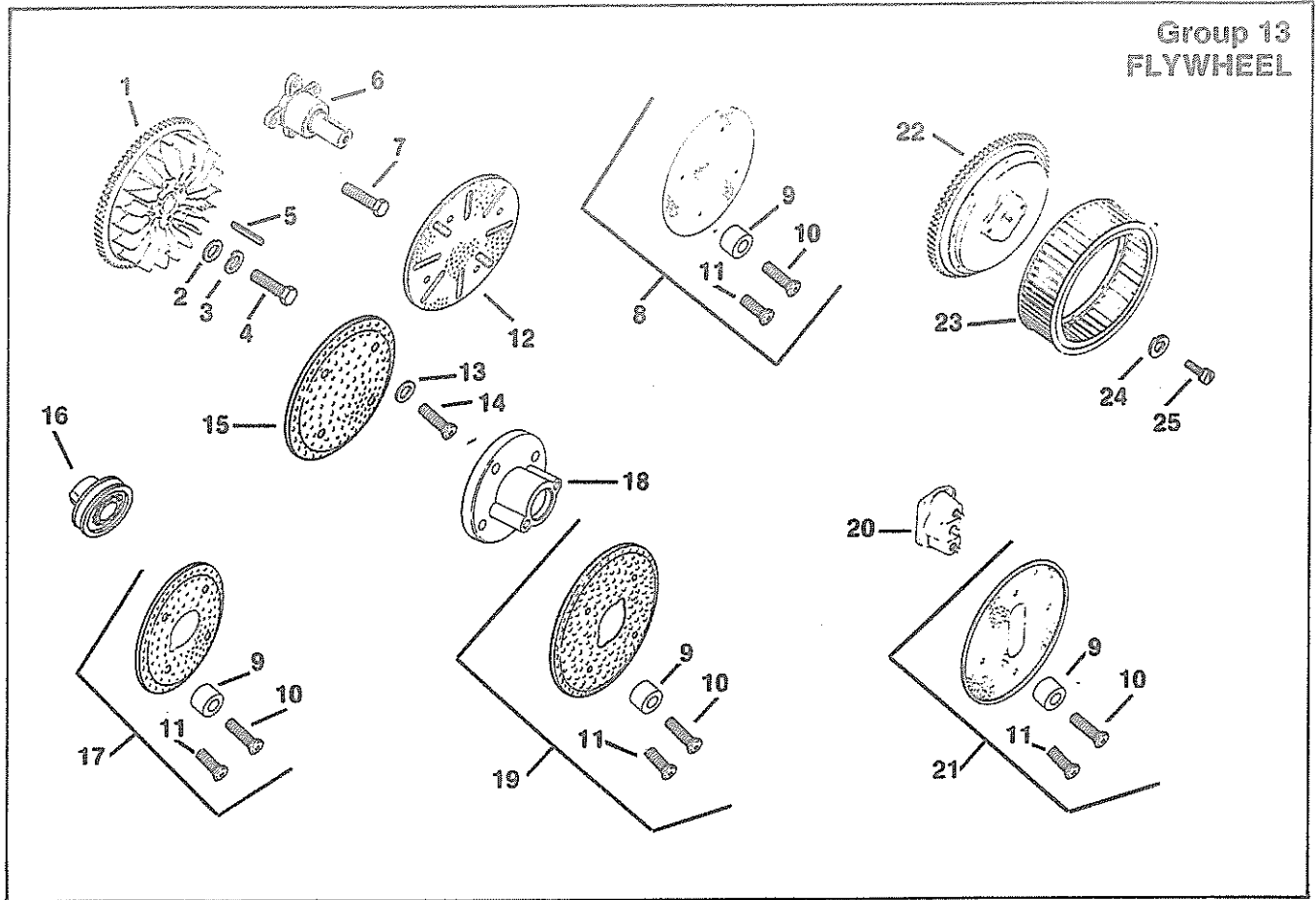
No. 1 Exhaust Manifold



Index Number	Description Variation Number	Part Number	Index Number	Description Variation Number	Part Number
1	Muffler (2) 10	52 068 04	9	Stud 5/16-18 x 4 (4) 6, 7, 10	X-352-18
2	Clamp, muffler 1-1/2" (2) 10	237548	9	Stud 5/16-18 x 4 (2) 8	X-352-18
3	Manifold, exhaust - #1 7, 8	52 054 05	9	Stud 5/16-18 x 4 (3) 13, 14	X-352-18
4	Gasket, manifold (2) 6, 7, 8, 10, 13, 14 99	52 041 10	9	Stud 5/16-18 x 4-3/4 (2) 8	X-352-43
5	Manifold, exhaust - #1 6, 10, 13, 14	52 054 01	10	Washer, split lock 5/16 (4) 6, 7, 8, 10, 13, 14	X-21-1
6	Manifold, exhaust - #2 6, 10, 13	52 054 03	11	Nut, hex. hd. 5/16-18 (4) 6, 7, 8, 10, 13	X-82-2
7	Manifold, exhaust - #2 7, 8, 14	52 054 06	11	Nut, hex. hd. 5/16-18 (3) 14	X-82-2
8	Screw, H.C. 5/16-18 x 3-1/4 13, 14	52 086 09	12	Heater, air inlet 13	52 319 01

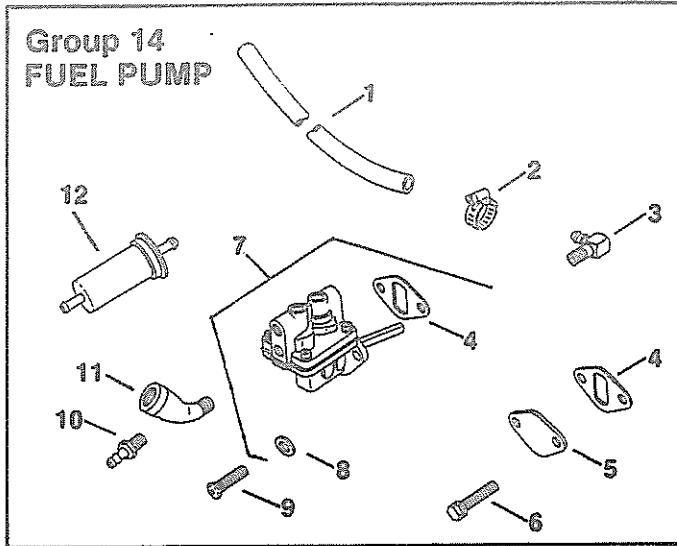
KT17-KT19 SERIES II

Group 13 FLYWHEEL



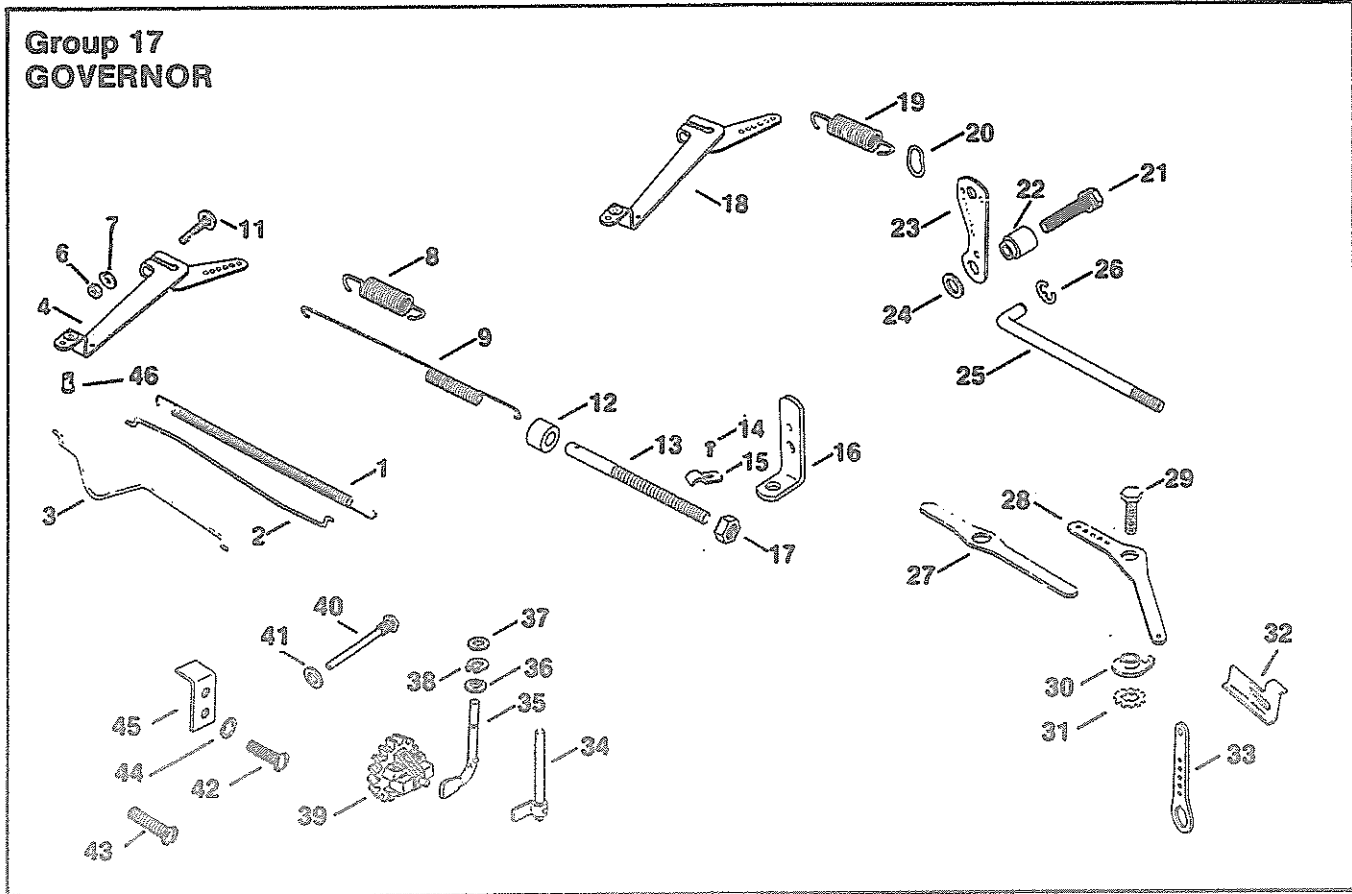
Index Number	Description Variation Number	Part Number	Index Number	Description Variation Number	Part Number
1	Flywheel 21, 23, 29, 31, 40, 47, 201	52 025 25	11	Screw, T.H. nylock 1/4-20 x 5/8 (4) 23, 27, 29, 31, 34, 201	47 086 08
1	Flywheel 26, 50	52 025 20	12	Screen, gras—metal 50	52 162 21
1	Flywheel 27	52 025 34	13	Washer, plain 1/4 (4) 26, 50	X-25-52
1	Flywheel 34	52 025 26	14	Screw, T.H. nylock 1/4-20 x 5/8 (4) 26, 50	47 086 08
2	Washer 21, 23, 26, 29, 31, 34, 39, 40, 47, 50, 201	52 114 02	15	Screen, gras—metal 26	52 162 15
2	Washer 27	52 114 01	16	Cup, drive 27	52 071 01
3	Washer, lock 3/8 21, 23, 26, 27, 29, 31, 34, 39, 40, 47, 50, 201	X-22-1	17	Kit, plastic grass screen (Round Hole) 201	52 755 22
4	Screw, H.C. 3/8-24 x 1-1/4 21, 23, 26, 27, 29, 31, 24, 39, 40, 47, 50, 201	X-7-38	17	Kit, plastic grass screen 27	52 755 30
5	Key, square 3/16 x 1-3/8 21, 23, 26, 27, 29, 31, 34, 39, 40, 47, 50, 201	X-286-17	18	Adapter, front drive 31	237373
6	Shaft, front drive 40	52 144 07	19	Kit, plastic grass screen 31	52 755 29
7	Screw, H.C. 3/8-16 x 1 (4) 29, 31, 40	X-159-2	20	Shaft, front drive 29	52 144 08
8	Kit, plastic grass screen 23, 34	52 755 31	21	Kit, plastic grass screen 29	52 755 28
9	Spacer 1/4 (4) (Used only with 47 086 06 screw) 23, 27, 29, 31, 34, 201	X-400-69	22	Flywheel 39	52 025 24
10	Screw, T.H. nylock 1/4-20 x 7/8 (4) (Used only with X-400-69 spacer) 23, 27, 29, 31, 34, 201	47 086 06	23	Fan 39	52 157 01
			24	Washer, split lock (8) 39	X-19-1
			25	Screw, hex. socket hd. (8) 39	X-55-4

KT17-KT19 SERIES II



Index Number	Description Variation Number	Part Number
1	Hose 1/4 x 1/2 x 6 5, 6, 100	X-810-12
1	Line, fuel 6-1/2 7, 8,	X-810-3
2	Clamp hose (2) 5, 6, 7, 8, 100	X-426-9
3	Connector, hose (Replaced by 25 155 02) 5, 7, 100	X-391-1

Index Number	Description Variation Number	Part Number
3	Connector, hose (2) (Replaced by 25 155 02) 6	X-391-1
3	Connector, hose 8	25 155 02
4	Gasket, fuel pump 2, 5, 6, 8, 100	47 041 04
4	Gasket, insulating 7	277649
5	Cover, pump pad 2	240282
6	Screw, H. C. 1/4-20 x 1/2 (2) 2	X-132-6
7	Pump, fuel 5, 6, 7, 8, 100	52 559 01
8	Washer, plain (2) 5, 6, 7, 8, 100	X-25-63
9	Screw, truss hd. 1/4-20 x 5/8 (2) 5, 6, 7, 8, 100	47 086 08
10	Connector, hose 5, 7, 8, 100	X-380-1
11	Elbow, 45° street 8	X-274-8
12	Filter, fuel 100	45 050 01



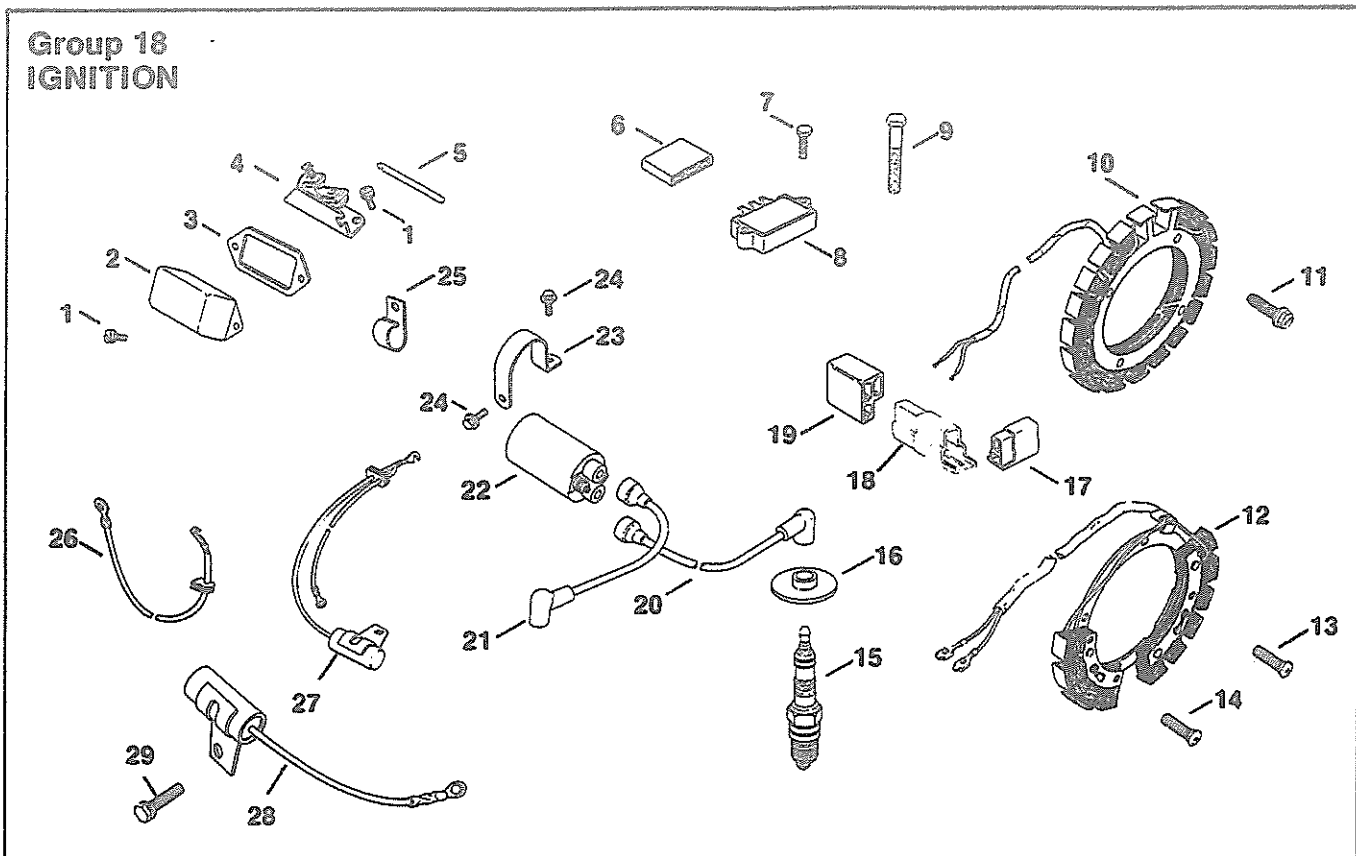
KT17-KT19 SERIES II

GOVERNOR
(Cont'd.)

Index Number	Description Variation Number	Part Number	Index Number	Description Variation Number	Part Number
1	Spring, linkage 3	230117	24	Washer, plain 1/4 3	X-25-63
2	Link, governor 3	52 354 02	25	Rod, ball joint 3	52 411 02
2	Link, governor 6, 10, 15	52 354 03	26	Clip, ring 3	235278
3	Link, governor 7, 8, 14	52 079 02	27	Lever, speed control 7	52 119 02
4	Arm, governor 3	52 187 03	28	Lever, speed control 8	52 119 03
6	Nut, hex 1/4-20 3, 6, 7, 8, 10, 14, 15	X-81-1	29	Screw, H.C. 1/4-20 x 5/8 6, 7, 8, 14, 15	X-5-1
7	Washer, plain 1/4 3, 6, 7, 8, 10, 14, 15	X-25-72	30	Stop, governor 6, 7, 8, 14, 15	234614
8	Spring, governor 6, 10, 14, 15	52 091 04	31	Washer, internal/external tooth 1/4 6, 7, 8, 14	X-22-12
9	Spring, governor 7, 8, 10	52 091 05	32	Stop, hi-speed 15	52 531 01
11	Bolt, R.H. sq. neck 1/4-20 x 1 3, 6, 7, 8, 10, 14, 15	52 211 04	33	Lever, speed control 6, 14, 15	52 119 01
12	Spacer 3	X-400-122	34	Shaft, governor cross 3	52 420 06
13	Rod, speed control 10	236258	35	Shaft, governor 6, 7, 8, 10, 14, 15	52 078 04
14	Screw, H.C. 10-24 x 7/16 (2) 6, 7, 8, 10, 14, 15	X-67-97	36	Washer, plain 1/4 6, 7, 8, 10, 14, 15	X-25-102
14	Screw, H.C. 10-24 x 7/16 3	X-67-97	37	Washer, plain 1/4 (2) 6, 7, 8, 10, 14	X-25-63
15	Clamp, cable (2) 6, 7, 8, 10, 14	235778	38	Retainer, governor 6, 7, 8, 10, 14, 15	X-269-28
15	Clamp, cable 3, 15	235778	39	Kit, governor gear 6, 7, 8, 10, 14, 15	A-235743-S
16	Bracket, throttle cable 8	52 126 02	39	Gear, governor (Replaced by 52 042 03) 3	52 042 02
17	Nut, hex. hd. #10-32 (2) 3, 10	X-70-3	40	Pin, governor stop 3, 6, 7, 8, 10, 14, 15	231355
18	Arm, governor 6, 7, 8, 10, 14	52 187 02	41	Washer, plain 1/4 3, 6, 7, 8, 10, 14, 15	X-25-12
19	Spring, governor 3	52 091 06	42	Screw, R.H.M. 8-32 x 3/8 3	X-51-12
20	Washer, wave 3	275690	43	Screw, R.H.M. 8-32 x 3/4 3	X-51-11
21	Screw, H.C. 1/4-20 x 7/8 3	X-132-7	44	Washer, internal tooth #8 (2) 3	X-22-7
22	Spacer 3	52 112 05	45	Bracket, governor housing 3	52 126 01
23	Lever, throttle & choke control 3	47 090 05	46	Bushing, governor arm 3, 6, 7, 8, 10, 14, 15	45 158 03

KT17-KT19 SERIES II

Group 18 IGNITION



Index Number	Description Variation Number	Part Number	Index Number	Description Variation Number	Part Number
1	Screw, F. H. sems 10-24 x 3/8 (4) 2, 4, 5, 6, 7, 9, 10, 11	X-131-1	16	Grommet, spark plug (2) 4, 6	47 313 01
2	Cover, breaker 2, 4, 5, 6, 7, 9, 10, 11	51 096 02	17	Connector - Male 2, 5, 7, 9, 10	48 155 02
3	Gasket, breaker cover 2, 4, 5, 6, 7, 9, 10, 11	52 041 11	18	Connector - Female - two contact 10	48 155 03
4	Breaker 2, 4, 5, 6, 7, 9, 10, 11	47 150 03	19	Connector - Female - three contact 11	236473
5	Rod, breaker push (Replaced by 52 411 05) 2, 5, 6, 7, 9, 10, 11	52 411 01	20	Lead, hi-tension 19" 2, 4, 5, 6, 7, 9, 10, 11	52 348 02
5	Rod, breaker push 4	52 411 04	21	Lead, hi-tension 11" 2, 4, 5, 6, 7, 9, 10, 11	52 348 01
6	Connector - Female - three contact 2, 5, 6, 7, 9, 10	236602	22	Coil, ignition 2, 4, 5, 6, 7, 9, 10, 11	52 145 02
7	Screw, hex. washer hd. 1/4-20 x 1 (2) 2, 6, 7	X-67-96	23	Strap, coil 2, 4, 5, 6, 7, 9, 10, 11	52 445 03
8	Rectifier - regulator 2, 5, 6, 7, 9, 10	41 403 05	24	Screw, tapping 1/4-20 x 7/16 (2) 2, 4, 5, 6, 7, 9, 10, 11	X-67-83
9	Screw, H. C. 1/4-20 x 7/8 (2) 5, 9, 10	X-5-3	25	Clip, lead 7, 11	48 154 02
10	Kit, stator 2, 5, 6, 7, 9, 10	237878	26	Lead, breaker 12" 11	A-230371
11	Screw, H. C. 10-24 x 3/4 (4) 2, 5, 6, 7, 9, 10	X-67-51	27	Condenser (Includes #26) 2, 4, 5, 6, 7, 9, 10	52 147 01
12	Stator 11	45 085 02	28	Condenser 11	52 147 02
13	Screw, fillister hd. 10-24 x 7/16 (3) 11	X-67-84	29	Screw, hex. washer hd. 1/4-20 x 3/4 2, 4, 5, 6, 7, 9, 10, 11	X-67-62
14	Screw, fillister hd. 10-24 x 15/16 11	X-67-85			
15	Spark plug (2) 2, 4, 5, 6, 7, 9, 10, 11	51 132 02			

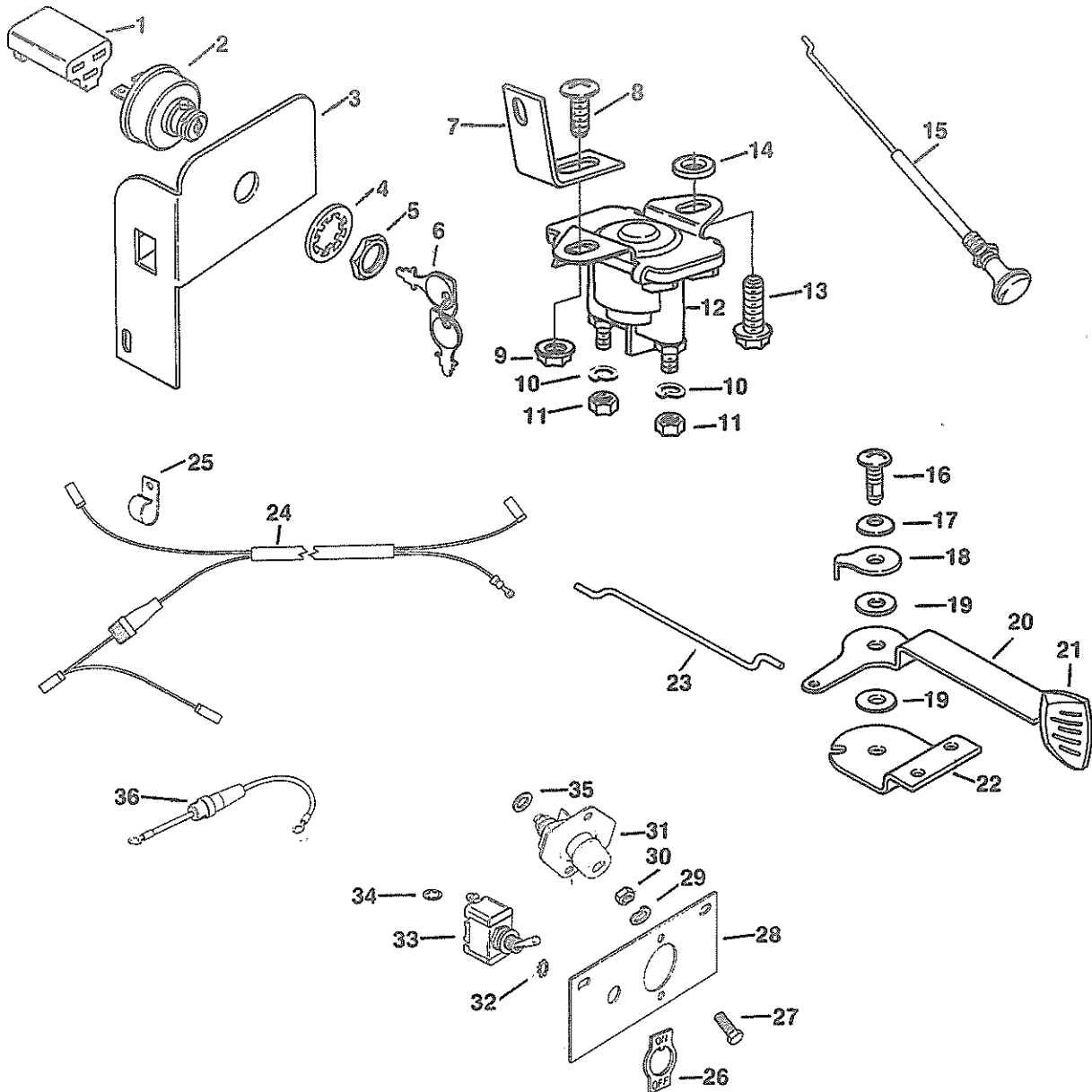
KT17-KT19 *SERIES II*

IGNITION
(Cont'd.)

Index Number	Description Variation Number	Part Number	Index Number	Description Variation Number	Part Number
	Not Illustrated				
	Lead, coil (10" - 14 gauge - push on tab and insulated barrel eyelet terminals) 11	25 518 07		Lead, rectifier regulator (10" - 18 gauge - push on tab and uninsulated barrel eyelet terminals) 2, 9, 10	25 518 05
	Lead, coil (16" - 14 gauge - push on tab and insulated barrel eyelet terminals) 2, 9, 10	25 518 09		Lead, rectifier regulator (16" - 14 gauge - push on tab terminals) 5, 7	25 518 10
	Lead, coil (6" - 14 gauge - push on tab and insulated barrel eyelet terminals) 5, 7	25 518 06			

KT17-KT19 SERIES II

Group 19 INSTRUMENT PANEL



Index Number	Description Variation Number	Part Number	Index Number	Description Variation Number	Part Number
1	Connector 1	236473	8	Bolt, R.H. sq. neck 1/4-20 x 9/16 1	52 086 10
2	Switch, key (Replaced by 52 099 02) 1	52 099 04	9	Palnut 1	X-799-1
3	Panel, instrument 1	52 178 01	10	Washer, lock 1/4 (2) 1	X-20-1
4	Washer (Replaced by 52 099 02) 1	48 468 02	11	Nut, hex 1/4-20 (2) 1	X-81-1
5	Nut (Replaced by 52 099 02) 1	48 100 01	12	Solenoid 1	52 435 01
6	Key (2) 1	48 340 01	13	Screw, hex. wash. hd. 1/4-20 x 3/4 1	X-67-62
7	Bracket, solenoid 1	52 126 06	14	Washer, plain 1/4 1	X-25-95
			15	Cable, choke 1	52 225 01
			16	Screw, T.H. 1/4-20 x 5/8 1	47 086 08
			17		
			18		
			19		
			20		
			21		
			22		
			23		
			24		
			25		
			26		
			27		
			28		
			29		
			30		
			31		
			32		
			33		
			34		
			35		

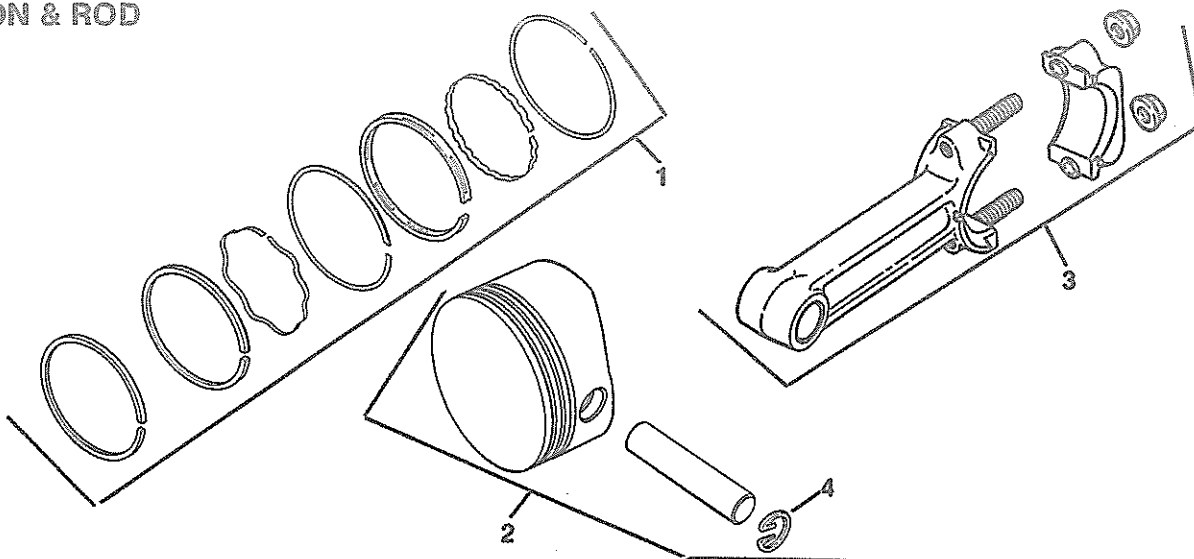
KT17-KT19 **SERIES II**

INSTRUMENT PANEL
(Cont'd.)

Index Number	Description Variation Number	Part Number	Index Number	Description Variation Number	Part Number
17	Washer, spring 1/4 1	52 468 11	32	Washer, E.T. 1/4 200	X-22-38
18	Tab, locking 1	52 448 01	33	Switch, Toggle 200	238011
19	Washer, flat 1/4 (2) 1	52 468 10	34	Washer, I.T. #6 (4) 200	X-22-6
20	Lever, throttle 1	52 090 08	35	Washer, plain 5/16 (2) 200	X-25-5
21	Knob, throttle lever 1	52 341 01	36	Holder, fuse (Includes 37) 200	41 323 02
22	Plate, throttle stop 1	52 146 07	37	Fuse 200	41 304 01
23	Linkage, throttle 1	52 079 03		Not Illustrated	
24	Harness, wiring 1	52 176 01		Lead, solenoid to starter (6" - 6 gauge - insulated barrel eyelet terminals) 1	52 518 03
25	Clip, cable 1	234511		Lead, key to coil (4" - 6 gauge - push on tab and insulated barrel eyelet terminals) 1	52 518 04
26	Plate, instruction 200	220725			
27	Screw, H.C. 1/4-20 x 1/2 (2) 200	X-5-13			
28	Panel, control 200	237594			
29	Washer, split lock 1/4 (2) 200	X-20-1			
30	Nut, hex 1/4-20 (2) 200	X-81-1			
31	Switch, push button 200	237851			

KT17-KT19 SERIES II

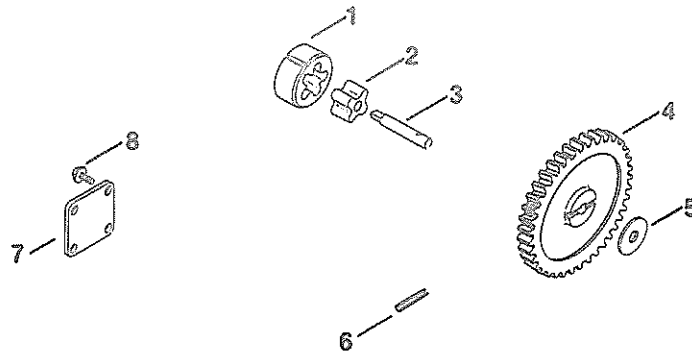
Group 22 PISTON & ROD



Index Number	Description Variation Number	Part Number	Index Number	Description Variation Number	Part Number
Model KT17			Model KT19		
1	Ring Set - Std. & .003 (2) 11	52 108 01	1	Ring Set - Std. & .003 (2) 12	52 108 01
	Ring Set - .010 (2)	52 108 02		Ring Set - .010 (2)	52 108 02
	Ring Set - .020 (2)	52 108 03		Ring Set - .020 (2)	52 108 03
	Ring Set - .030 (2)	52 108 04		Ring Set - .030 (2)	52 108 04
2	Piston assembly - Std. (2) 11	52 074 67	2	Piston assembly - Std. (2) 12	52 074 72
	Piston assembly - .003 (2)	52 074 68		Piston assembly - .003 (2)	52 074 73
	Piston assembly - .010 (2)	52 074 69		Piston assembly - .010 (2)	52 074 74
	Piston assembly - .020 (2)	52 074 70		Piston assembly - .020 (2)	52 074 75
	Piston assembly - .030 (2)	52 074 71		Piston assembly - .030 (2)	52 074 76
3	Connecting Rod - Std. (2) 11	52 067 61	3	Connecting Rod - Std. (2) (Replaced by 52 067 65) 12	52 067 63
	Connecting Rod - .010 U. S. (2)	52 067 62		Connecting Rod - .010 U. S. (2) (Replaced by 52 067 66)	52 067 64
4	Retainer, piston pin (4) 11	230004	4	Retainer, piston pin (4) 12	52 141 01

KT17-KT19 SERIES II

Group 25 OIL PUMP



Index Number	Description Variation Number	Part Number	Index Number	Description Variation Number	Part Number
1	Rotor, outer 2	51 414 02	5	Spacer (A.R. Max. 2) 2	52 422 01
2	Rotor, inner 2	51 414 01	6	Pin, roll 2	X-280-25
3	Shaft, oil pump 2	52 144 05	7	Cover, oil pump 2	52 096 03
4	Gear, oil pump 2	52 043 05	8	Screw, tapping 10-32 x 3/8 (4) 2	X-67-64

Group 39
GASKET SET

KT17-KT19 SERIES II

Index Number	Description Variation Number	Part Number	Index Number	Description Variation Number	Part Number
	Model KT17 & KT19 Gasket Set 12	52 755 12			
	<i>Set Includes</i>				
	Seal, front oil	52 032 10			
	Seal, rear oil 1-3/8" I.D.	X-583-5			
	Seal, rear oil 1-1/2" I.D.	52 032 08			
	Gasket, breaker cover	52 041 11			
	Gasket, elbow	277069			
	Gasket, air cleaner	277093			
	Gasket, fuel pump	47 041 04			
	Gasket, intake (2)	52 041 09			
	Gasket, exhaust (2)	52 041 10			
	Gasket, closure plate	52 041 08			
	Gasket, cylinder barrel (2)	52 041 04			
	Gasket, carburetor	271030			
	Seal, valve stem (2)	52 032 05			
	Gasket, cylinder head (2)	52 052 04			
	Gasket, valve cover (3)	52 055 01			
	Gasket, air cleaner	52 055 04			
	Seal, breather	52 032 04			

KOHLER engines

ENGINE DIVISION, KOHLER CO., KOHLER, WISCONSIN 53044