



PARTS MANUAL

MODEL K91 4HP

Engine Specs 2650 — 31997

Generator Specs 4002-40219

HOW TO FIND YOUR PART NUMBER

1 Refer to the Composite Exploded View on page 2 (Grid A2). It contains major engine components boxed and identified by Group Number. Examine these groups for your part. After you locate your part, record the Group Number.

If the part you need is not illustrated, locate a major engine component related to your part and use this component to identify the Group Number.

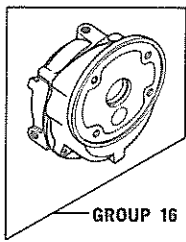
2 Obtain the Spec Number from the nameplate attached to the engine shrouding. Refer to the Spec Number Index beginning on page 3 (Grid A3). Listed vertically on the left are Spec Numbers. Listed horizontally across

the top are Group Numbers and their titles, Page and Grid Numbers.

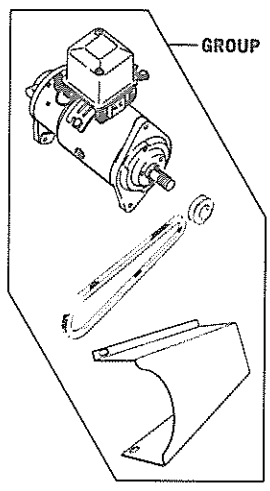
Locate your Spec Number. Follow horizontally from your Spec Number to the Group Number column. Where these two columns meet is the Variation Number of your part. Record that Variation Number.

3 Refer to the page (or grid) where your part is listed. Locate the part in the illustration, use its identifying index letter to locate the part name in the listing. Find the Variation Number of your part in those listed below the part name. Your part number is listed to the right of the Variation Numbers.

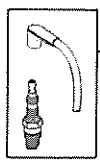
Illustrations are not intended to show the exact detail for all variations covered.



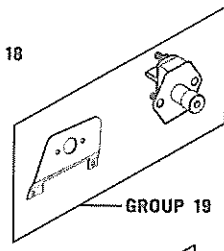
GROUP 16



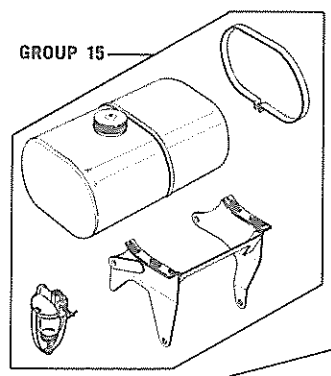
GROUP 11



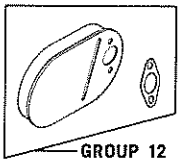
GROUP 18



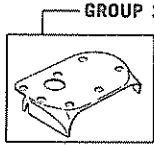
GROUP 19



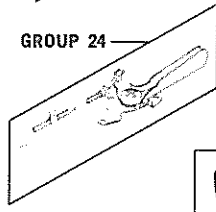
GROUP 15



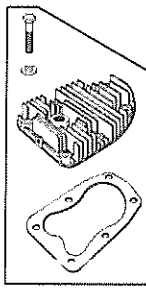
GROUP 12



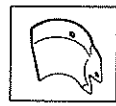
GROUP 2



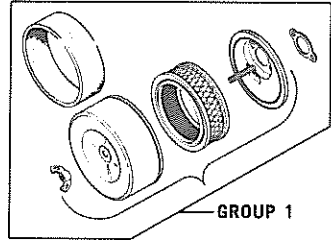
GROUP 24



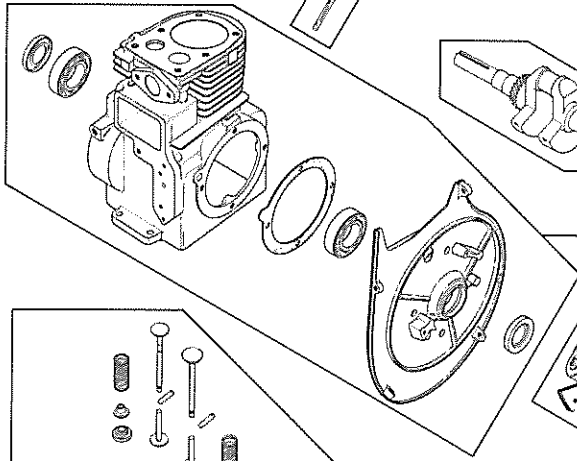
GROUP 9



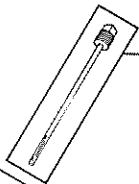
GROUP 2



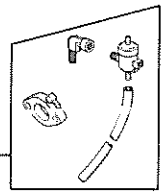
GROUP 1



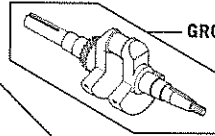
GROUP 7



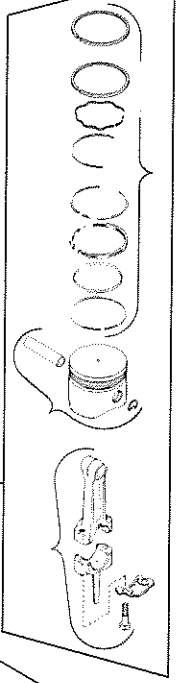
GROUP 10



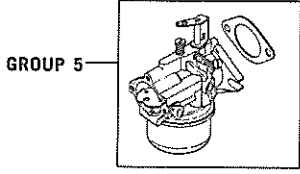
GROUP 14



GROUP 8



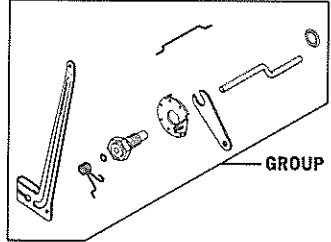
GROUP 22



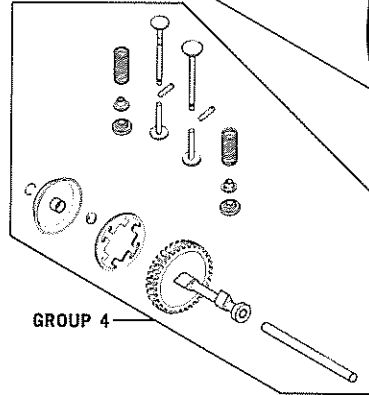
GROUP 5



GROUP 18



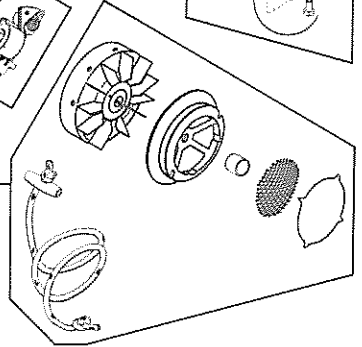
GROUP 17



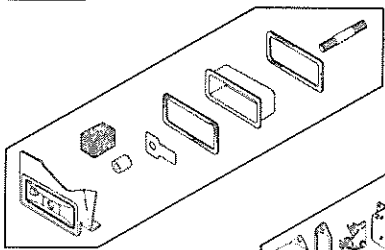
GROUP 4



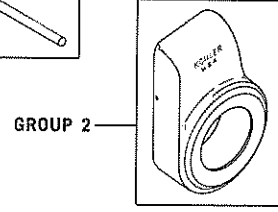
GROUP 13



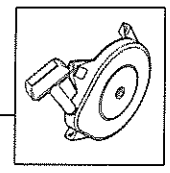
GROUP 18



GROUP 3

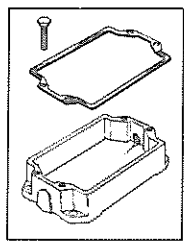


GROUP 2



GROUP 23

GROUP 18



GROUP 21

GROUP TITLE	AIR INTAKE	BAFFLES & SHROUD	BREATHER & VENT	CAMSHAFT & VALVE	CARBURETOR	CRANKCASE	CRANKSHAFT	CYLINDER HEAD	DIPSTICK	ELECTRIC START	EXHAUST	FLYWHEEL	FUEL PUMP	FUEL TANK	GEAR REDUCTION	GOVERNOR	IGNITION	INSTRUMENT PANEL	OIL PAN	PISTON AND ROD	RETRACTABLE STAIR	REMOTE THROTTLE
	1	2	3	4	5	7	8	9	10	11	12	13	14	15	16	17	18	19	21	22	23	24
Group No.	1	2	3	4	5	7	8	9	10	11	12	13	14	15	16	17	18	19	21	22	23	24
SPEC NO.	VARIATION NUMBER																					
2650	1	7	1	1	3	1	3	4	1		1	9		8	1	1	1		9	1	1	
2652	2	2	1	1	3	1	1	1	1		2	9		10		1	1		1	1	1	
2659	1	7	1	1	3	1	3	4	1		1	9		8	1	1	1		1	9	1	1
2660	1	2	1	1	3	1	1	1	1		1	9		11		1	1		1	7	1	1
2661	4	2	2	3	3	2	4	1	1		1	8		10		1	1		1	1	1	
2662*	1	1	1	1	3	1	1	1	1		1	8		10		1	1		1	1	1	
2664	1	2	1	1	3	1	1	1	1		1	9		11		2	1		1	1	1	1
2667	1	1	1	3	3	2	4	1	1		1	8		11		1	1		1	1	1	1
2670	1	1	1	3	3	5	14	1	1		1	8		11		1	10		18	1	1	1
2672	2	2	2	1	3	1	1	1	1		1	9		10		1	1		8	1	1	1
2675	1	1	2	3	3	2	8	1	1		1	8		11		1	1		1	1	1	3
2677	5	1	2	2	7	4	2	1	1		1	8		3		9	1		1	1	1	1
2680	2	3	1	1	1	1	1	1	1		1	9		1		1	2		8	1	1	1
2683	1	1	2	3	3	2	5	1	1		1	8		10		2	1		1	1	1	1
2684	1	1	1	3	3	2	5	1	1		1	8		10		1	1		1	1	1	1
2686	1	1	2	1	3	1	6	1	1		1	8		11		1	1		1	1	1	1
2689	2	3	1	1	3	1	1	1	1		3	9		1		1	1		8	1	1	3
2690	8	2	1	1	3	1	3	1	1		7	9		11		1	2		5	1	1	5
2693	1	1	1	1	5	1	1	3	1		1	8		12		1	1		1	1	1	1
2694	1	1	2	1	5	1	3	3	1		1	8		12		1	1		1	1	1	1
2695	9	7	1	1	3	1	1	4	1		2	9		7		1	1		17	1	1	1
2697	1	1	2	1	3	3	1	1	1		8	8		11		1	1		7	1	1	1
2698	7	2	1	1	3	1	1	1	1		1	9		10		1	1		5	1	1	1
2699	9	4	1	1	3	1	1	2	1		2	10		11		2	3		1	1	1	2
2701	1	1	2	1	3	1	1	1	1		1	8		11		1	1		1	1	1	2
2702	1	1	2	1	3	1	3	1	1		1	8		11		1	1		1	1	1	1
2703	1	1	1	1	3	1	1	1	1		1	8		10		1	1		1	1	1	1
2704	1	1	1	1	3	1	3	1	1		1	8		10		1	1		1	1	1	1
2707	1	1	2	1	3	1	1	1	1		1	8		11		1	1		5	1	1	1
2708	1	1	1	3	3	2	4	1	1		1	8		10		1	1		1	1	1	1
2709	1	2	1	1	3	1	1	1	1		1	9		11		1	1		1	1	1	1
2710	1	2	1	1	3	1	1	1	1		1	9		10		1	1		1	1	1	1
2711	1	2	1	1	3	1	3	1	1		1	9		10		1	1		1	1	1	1
2712	1	2	1	3	3	2	4	1	1		1	9		10		1	1		1	1	1	1
2714	1	2	1	1	3	1	3	1	1		1	9		11		1	1		1	1	1	1
2715	1	1	1	1	3	1	1	1	1		4	8		10		2	1		1	1	1	9
2718	6	1	1	1	3	1	1	1	1		1	8		10		1	1		1	1	1	1
2720	1	1	2	1	3	1	5	1	1		1	8		10		1	1		1	1	1	1
2721	1	1	2	1	3	1	3	1	1		1	12		10		1	1		5	1	1	1
2722	6	2	1	1	3	1	1	1	1		1	9		10		1	1		1	1	1	1
2724	2	1	2	1	3	1	1	1	1		1	8		10		1	1		8	1	1	1
2725	1	1	1	1	3	1	15	1	1		1	8		10		1	1		1	1	1	1
2727	1	1	1	1	3	1	1	1	1		1	8		11		1	1		5	1	1	1
2729	2	2	1	1	3	1	3	1	1		1	9		10		1	1		2	1	1	1
2730	1	2	1	1	3	1	1	1	1		1	9		10		1	1		1	1	1	1
2735	1	1	2	1	3	1	1	1	1		1	8		10		2	1		1	1	1	1
2736	1	2	1	1	3	1	5	1	1		1	9		10		1	1		1	1	1	1
2737	1	2	1	1	3	1	1	1	1		4	9		11		1	1		1	1	1	7
2738	1	1	2	1	3	1	1	1	1		1	8		10		2	1		1	1	1	1
2739	9	4	1	1	3	1	1	2	1		2	3		10		2	3		1	1	1	2
2741	1	2	1	1	3	1	1	1	1		1	9		10		1	1		5	1	1	1
2742	1	1	1	1	3	1	1	1	1		1	8		10		1	1		5	1	1	1
2744	1	1	1	1	3	1	5	1	1		1	8		11		1	1		1	1	1	1
2746	1	2	1	1	3	1	9	1	1		1	9		20		1	1		1	1	1	6
2747	7	1	1	1	3	1	3	1	1		6	8		11		1	1		23	1	1	3
2749	1	1	1	1	3	1	1	1	1		1	8		11		1	1		7	1	1	1
2750	1	2	1	1	3	1	1	1	1		6	9		11		2	1		1	1	1	8
2752	1	6	1	1	3	1	3	4	1		1	8		8		1	1		1	1	1	1
2755	1	1	2	1	3	1	6	1	1		1	8		10		2	1		1	1	1	1
2759	6	1	1	1	3	1	1	1	1		1	8		10		1	1		5	1	1	1

*Accessories: See Pages 43-45.

#Basic Engine

For Service/Complete Engines refer to Selection Guide TP-2059-A.

Limited Production: See Page 16.

Gasket Set: See Page 46.

Contact your Kohler engine parts supplier for any specification not listed.

GROUP TITLE	AIR INTAKE	BAFFLES & SHRI	BREATHER & VET	CAMSHAFT & VAL	CARBURETOR	CRANKCASE	CRANKSHAFT	CYLINDER HEAD	DIPSTICK	ELECTRIC START	EXHAUST	FLYWHEEL	FUEL PUMP	FUEL TANK	GEAR REDUCTION	GOVERNOR	IGNITION	INSTRUMENT PAN	OIL PAN	PISTON AND ROL	RETRACTABLE ST	REMOTE THROTTLE
Group No.	1	2	3	4	5	7	8	9	10	11	12	13	14	15	16	17	18	19	21	22	23	24
SPEC NO.	VARIATION NUMBER																					
2761	1	1	2	1	3	1	3	1	1		1	8		11	1	2	1		1	1		
2764	2	2	1	1	3	1	1	1	1		1	9		11	1	1	1		2	1	1	
2765	1	2	1	1	3	1	1	1	1		1	9		10	1	1	1		1	1	1	
2766	1	1	2	1	3	1	5	1	1		1	8		10	1	1	1		1	1	1	
2777	8	2	1	1	3	1	3	1	1		7	8		11	1	2	4		5	1		5
2782	2	2	1	1	3	1	16	1	1		1	9		10		1	1		8	1	1	
2789	1	1	2	1	3	1	1	1	1		1	8		10		1	1		5	1	1	
2790	1	2	1	1	3	1	6	1	1		2	9		10		1	1		1	1	1	
2792	1	2	2	1	3	1	1	1	1		1	9		11		1	1		7	1	1	
2797	2	7	1	1	3	1	1	4	1		3	9		8		1	1		22	1	1	
2799	1	1	1	1	3	1	3	1	1		14	8		11	1	1	1		1	1		
27100	1	1	2	1	3	1	1	1	1		1	8		14		1	1		1	1		
27102	1	2	1	1	3	1	3	1	1		1	9		10	1	1	1		1	1	1	
27103	1	2	1	1	3	1	5	1	1		1	8		10		1	4		1	1	1	
27106	4	1	2	1	3	1	1	1	1		1	9		10		1	1		1	1	1	
27107	2	3	1	1	4	3	1	1	1		1	9				1	2		4	1	1	2
27110	1	2	1	1	3	1	1	1	1		1	9		13		1	1		1	1	1	
27112	2	3	1	1	18	1	1	1	1		18	9		10		1	2		4	1	1	2
27113	1	1	2	3	3	2	4	1	1		6	8		10		1	1		1	1	1	
27114		2	1	1	3	1	1	1	1		1	9		10		1	1		1	1	1	
27116	7	2	1	1	3	1	6	1	1		1	9		11		1	1		5	1	1	
27120	1	2	2	1	3	1	3	1	1		1	9		10	1	2	1		1	1	1	
27121	1	1	2	3	5	2	4	3	1		1	8		12		1	1		1	1	1	
27122	1	2	1	1	5	1	1	3	1		1	9		12		1	1		1	1	1	
27123	1	2	1	3	3	5	1	1	1		1	9		10		1	1		1	1	1	
27127	1	1	2	1	3	1	1	1	1		1	13		11		1	1		5	1		
27130	1	1	2	3	3	2	1	1	1		1	8		10		1	1		1	1		
27132	17	3	1	1	3	1	2	1	1			9				1	1		5	1	1	
27134	1	2	1	1	3	1	1	1	1		1	9		11		1	1		5	1	1	
27135	6	1	2	1	3	3	1	1	1			8		10		1	1		5	1		
27136	1	2	1	1	3	1	1	1	1		1	9		10		1	4		6	1	1	
27137	1	2	1	3	3	2	5	1	1		1	9		10		2	1		1	1	1	
27141	1	2	1	1	3	1	1	1	1		1	9		10		2	1		1	1	1	
27145	3	4	1	1	3	1	1	2	1		2	9				2	3		1	1	1	
27146	7	1	2	1	3	1	1	1	1		1	8		10		2	1		15	1		2
27147	7	2	1	3	3	5	6	1	1		1	9		11		1	1		5	1	1	
27166	1	2	1	1	3	3	1	1	1		8	9		13		2	2		1	1	1	4
27168	1	2	1	1	3	1	1	1	1		1	9		10		1	1		1	1	1	
27169	1	2	1	1	3	1	3	1	1		1	9		11	1	2	1		1	1	1	
27170	1	1	2	1	3	1	3	1	1		1	8		10	1	1	1		5	1		
27172	1	1	2	1	3	1	1	1	1		2	8		11		1	1		1	1		
27173	1	2	1	3	3	2	1	1	1		1	9		10		1	4		6	1	1	
27175	2	2	1	1	3	1	3	1	1		2	9		10	1	2	1		2	1	1	
27176	4	2	1	1	3	1	1	1	1		1	9		10		2	1		1	1	1	4
27177	17	5	2	1	3	3	1	1	1			8				1	1		16	1		
27180	1	1	2	1	3	1	3	1	1		6	8		10	1	2	1		1	1		
27190	1	14	1	6	12	9	1	1	2		1	9				1	4		1	1	1	
27192	1	1	1	3	3	5	3	1	1		1	8		10	1	1	1		1	1	1	
27193	2	3	1	1	3	1	1	1	1		3	9				6	1		8	1	3	
27199	1	12	1	1	3	1	1	1	1	2	1	17		10		1	1	2	9	1		
27200	1	13	1	3	3	10	1	4	1		8	9		8		1	3		21	1	1	
27202	1	2	1	1	3	3	3	1	1		1	9		10	1	1	1		1	1	1	
27203	2	7	1	1	3	1	1	4	1		12	9		8		2	1		9	1	1	
27210	1	1	1	1	3	1	3	1	1		1	8		10	1	2	1		1	1	1	
27212	1	2	1	1	3	1	1	1	1		1	16		10		1	1		1	1	4	
27214	1	2	1	1	3	3	1	1	1		8	16		10		2	11		1	1	4	2
27215	9	7	1	1	17	1	1	4	1		2	8		7		7	1		17	1	1	
27216	7	2	1	3	3	5	6	1	1		1	16		11		1	1		5	1	4	
27217	1	2	1	1	3	1	3	1	1		2	9		10		2	11		1	1	1	
27222	1	5	1	1	14	1	1	1	1		1	8				1	1		9	1		2

*Accessories: See Pages 43-45.

#Basic Engine

For Service/Complete Engines refer to Selection Guide TP-2059-A.

Limited Production: See Page 45.

Gasket Set: See Page 46.

Contact your Kohler engine parts supplier for any specification not listed.

GROUP TITLE	VARIATION NUMBER																							
	AIR INTAKE	BAFFLES & SHROU	BREATHER & VENT	CAWSHAFT & VALV	CARBURETOR	CRANKCASE	CRANKSHAFT	CYLINDER HEAD	DIPSTICK	ELECTRIC START	EXHAUST	FLYWHEEL	FUEL PUMP	FUEL TANK	GEAR REDUCTION	GOVERNOR	IGNITION	INSTRUMENT PANEL	OIL PAN	PISTON AND ROD	RETRACTABLE STA	REMOTE THROTTLE		
Group No.	1	2	3	4	5	7	8	9	10	11	12	13	14	15	16	17	18	19	21	22	23	24		
SPEC NO.																								
27223	7	2	1	1	3	1	1	1	1		1	9		10		1	1		1	1	1			
27224*	17	3	1	1	3	1	1	1	1		5	16							5	1	1	4		
27226	1	2	1	1	3	1	3	1	1		1	16		10	1	1	11		1	1	1	4		
27249	4	19	1	5	17	7	1	12	1		17	8		21		1	10		25	1	1	4		
27251	1	2	1	1	3	1	5	1	1		1	16		10		1	1		1	1	1	4		
27261	1	2	1	1	3	1	3	1	1		1	16		10	1	2	1		1	1	1	4		
27262	1	2	1	1	3	1	5	1	1		1	16		10		1	1		1	1	1	4		
27264*	2	2	1	1	3	1	1	1	1		1	16		11		1	17		5	1	1	4		
27265	1	2	1	1	3	3	1	1	1		8	16		13		2	2		1	1	1	4		
27267	1	2	1	1	3	1	1	1	1		1	16		10		1	1		1	1	1	4		
27269	1	2	1	1	3	1	1	1	1		1	16		10		1	1		1	1	1	4		
3101	1	1	1	1	3	1	1	9	1		1	8		11		1	1		1	1	1			
3102	1	1	1	1	3	1	3	9	1		1	8		11	1	1	1		1	1	1			
3103	1	1	1	1	3	1	1	9	1		1	8		10		1	1		1	1	1			
3104	1	1	1	1	3	19	3	9	1		1	8		10	1	1	1		1	1	1			
3106	1	1	1	3	3	2	4	9	1		1	8		11		1	1		1	1	1			
3107	1	1	1	3	3	1	1	9	1		1	8		11		1	1		5	1	1			
3108	1	1	1	3	3	2	4	9	1		1	8		10		1	1		1	1	1			
3109	1	2	1	1	3	1	1	9	1		1	9		11		1	1		1	1	1	1		
3110	1	2	1	1	3	1	1	9	1		1	9		10		1	1		1	1	1	1		
3111	1	2	1	1	3	1	3	9	1		1	9		10	1	1	1		1	1	1	1		
3120	1	1	1	1	3	1	5	9	1		1	8		10		1	1		1	1	1	1		
3121	1	1	1	1	3	19	3	9	1		1	12		10	1	1	1		5	1	1	1		
3124	2	1	1	1	3	1	1	9	1		1	8		10		1	1		8	1	1	1		
3126	1	1	1	1	3	1	9	9	1		1	11		10		1	1		1	1	1	1		
3130	1	2	1	1	3	1	1	9	1		1	9		10		1	1		1	1	1	1		
3135	1	1	1	1	3	1	1	9	1		1	8		10		2	1		1	1	1	1		
3136	1	2	1	1	3	1	5	9	1		1	9		10		1	1		1	1	1	1		
3144	1	1	1	1	3	1	5	9	1		1	9		11		1	1		1	1	1	1		
3155	1	1	1	1	3	1	10	9	1		1	2		10		2	1		1	1	1	1		
3161	1	61	1	1	3	19	3	9	1		1	8		11	1	2	1		1	1	1	1		
3166*	54	1	1	1	3	1	5	9	1		1	8		10		1	1		5	1	1	1		
3167	1	1	1	3	3	2	4	9	1		1	8		11		1	1		1	1	1	1		
3171*	54	1	1	3	3	2	38	9	1		1	8		10		1	1		1	1	1	1		
3183	1	61	1	3	3	2	5	9	1		1	8		10		2	1		1	1	1	1		
3184	1	1	1	3	3	2	5	9	1		1	8		10		1	1		1	1	1	1		
3186	1	1	1	1	3	1	10	9	1		1	8		11		1	1		1	1	1	1		
3189*	54	1	1	1	3	1	1	9	1		1	8		10		1	1		5	1	1	1		
31100	1	1	1	1	3	1	1	9	1		1	8		14		1	1		1	1	1	1		
31106	4	1	1	1	3	1	1	9	1		1	8		10		1	1		1	1	1	1		
31107*	2	3	1	1	4	10	1	9	1		1	16				1	2		4	1	10			
31123	1	2	1	3	3	5	1	9	1		1	16		10		1	1		1	1	1	1		
31130	1	1	1	3	3	2	1	9	1		1	8		10		1	1		1	1	1	1		
31132*	17	3	1	1	3	1	21	9	1		1	9				1	11		5	1	1	1		
31146	7	1	1	1	3	1	1	9	1		1	8		10		2	1		15	1	1	2		
31170	1	1	1	1	3	19	3	9	1		1	8		10	1	1	1		5	1	1	1		
31172	1	1	1	1	3	1	1	9	1		2	8		11		1	1		1	1	1	1		
31177*	17	5	1	1	3	10	1	9	1		1	8		10		1	1		16	1	1	1		
31180	1	1	1	1	3	1	3	9	1		6	8		10	1	2	1		1	1	1	1		
31192	1	1	1	3	3	5	3	9	1		1	8		10	1	1	1		1	1	1	1		
31193	2	3	1	1	3	1	1	9	1		3	9				6	1		8	1	3			
31199	1	12	1	1	3	19	1	9	1	2	1	17		10		1	1	2	9	1	1			
31200*		13	1	3	3	10	1	10	1		1	16		8		1	3		21	1	17			
31203	2	7	1	1	3	1	1	10	1		2	16		8		2	1		9	1	10			
31204	1	2	1	1	3	1	1	9	1		1	16		10		1	1		1	1	5			
31207	1	5	1	1	13	1	1	9	1		1	8				1	1		1	1				
31210	1	1	1	1	3	1	3	9	1		1	8		10	1	2	1		1	1	1			
31212	1	2	1	1	3	1	1	9	1		1	16		10		1	1		1	1	17			
31215	27	7	1	1	17	1	1	10	1		2	8		7		7	1		17	1	1			
31216	7	2	1	3	3	5	10	9	1		1	16		11		1	1		5	1	4			

*Accessories: See Pages 43-46.

#Basic Engine
For Service/Complete Engines refer to Selection Guide TP-2059-A.

Limited Production: See Page 45.

Gasket Set: See Page 46.
Contact your Kohler engine parts supplier for any specification not listed.

GROUP TITLE	AIR INTAKE	BAFFLES & SHR	BREATHER & VEI	CAKSHAFT & VAI	CARBURETOR	CRANKCASE	CRANKSHAFT	CYLINDER HEAD	DIPSTICK	ELECTRIC STAR	EXHAUST	FLYWHEEL	FUEL PUMP	FUEL TANK	GEAR REDUCTION	GOVERNOR	IGNITION	INSTRUMENT PAT	OIL PAN	PISTON AND ROI	RETRACTABLE ST	REMOTE THROTTL
Group No.	1	2	3	4	5	7	8	9	10	11	12	13	14	15	16	17	18	19	21	22	23	24
SPEC NO.	VARIATION NUMBER																					
31226	1	2	1	1	3	19	3	9	1		1	16		10	1	1	1		1	1	17	
31238*	12	15	1	1	18	10	1	9	3	4		17			1	1	15	4	21	1	1	2
31242	1	2	1	1	3	1	3	9	1		2	9			10	1	2	16	1	1	1	
31243	1	1	1	1	3	12	18	9	1		1	8		10	1	1	1		1	1	1	
31246	1	1	1	1	3	1	3	9	1		1	8		10	1	2	1		1	1	1	
31249*	25	19	3	5	20	13	19	12	1			20		21		8	10		25	2		
31250	1	2	1	1	3	1	3	9	1		2	16		10	1	2	16		5	1	4	2
31251	1	2	1	1	3	1	5	9	1		1	16		10	1	1	1		1	1	10	
31261	1	62	1	1	3	19	3	9	1		1	16		10	1	2	1		1	1	10	1
31262	1	2	1	1	3	1	5	9	1		1	16		10	1	1	1		1	1	4	
31264*	2	2	1	1	3	1	1	9	2			16		11		1	17		2	1	11	4
31265	1	2	1	1	17	10	1	9	1		8	16		13		2	2		1	1	4	
31267	1	2	1	1	3	1	1	9	1		1	16		10		1	1		1	1	4	
31268*	3	21	1	1	59	1	1	13	1		2	16				32	3		1	1	10	
31269	1	2	1	1	3	1	1	9	1		1	16		10		1	1		1	1	10	
31272	1	3	1	1	3	1	5	9	1		1	16				1	1		1	1	4	
31277*		3	1	6	12	9	1	9	2			19			1	1	1		1	1	4	
31278	16	2	1	3	3	5	3	9	1		1	16		10	1	1	1		1	1	4	
31280	1	2	1	3	3	1	1	9	1		1	16		10		1	1		1	1	4	
31283	8	2	1	1	3	1	3	15	1		7	16		10	1	2	1		5	1	4	12
31284	2	2	1	1	3	1	3	9	1		2	16		10	1	2	1		2	1	4	4
31287*	17	7	1	1	17	10	1	10				16		19		1	18		1	1	4	
31292*		15	1	3	18	20	1	9	2	22		17				1	15	4	21	1	1	
31293*		5	1	3	18	10	1	9	3			17				1	1		5	1	1	
31295	1	2	1	3	3	2	1	9	1		1	16		10		2	4		1	1	10	3
31297	4	2	1	1	3	1	1	9	1		1	16		10		2	1		1	1	4	4
31301	4	2	1	3	3	2	4	9	3		1	8		10		1	1		1	1	1	
31306	4	2	1	1	3	1	21	9	1		1	16		10		2	1		1	1	4	4
31307*	2	3	1	1	4	10	1	9	1			9		10		1	2		4	1	1	
31308	1	2	1	1	3	1	3	9	1		2	9		10	1	2	16		5	1	1	2
31309*	17	3	2	1	3	10	1	9	1			16				2	1		16	1	10	
31314	1	2	1	1	3	1	1	9	1		1	16		10		2	1		1	1	10	
31315	27	2	1	1	3	1	1	9	1		1	16		11		1	1		1	1	10	
31319	1	2	1	1	3	1	3	9	1		2	9		10	1	2	19		1	1	1	2
31321	1	2	1	1	3	1	1	9	1		1	16		10		1	2		1	1	10	
31326	1	2	1	1	3	10	1	9	1		8	16		10		1	1		1	1	4	
31327	1	2	1	1	3	1	10	9	1		1	16		10		1	1		1	1	1	
31329	1	2	1	1	3	19	3	9	1		2	16		10	1	2	19		1	1	17	2
31330	1	2	1	1	3	1	1	9	1		2	16		10		2	19		1	1	10	2
31337	1	1	1	1	3	10	10	9	1			8		10		1	1		1	1	1	
31342	2	2	1	1	3	19	3	9	1		2	16		10	1	2	1		8	1	4	14
31346	1	2	1	1	3	10	1	9	2			9		11		1	5		1	1	1	
31352	16	3	1	1	3	1	1	9	1		1	9				1	1		1	1	1	
31355	16	1	1	1	3	1	1	9	1		1	8		14		2	1		1	1	1	
31357	1	2	1	1	3	1	3	9	1		1	16		10	1	2	1		5	1	10	6
31361*	54	62	1	3	3	2	5	9	1		1	16		10		2	1		1	1	4	1
31372	27	7	1	1	17	1	1	10	1		2	16		7		7	1		17	1	10	
31373	1	1	1	3	3	2	11	9	1		1	8		10		1	1		1	1	1	
31374	1	2	1	1	3	1	1	9	1		1	16		10		1	1		5	1	10	
31377	27	2	1	3	3	2	4	9	1		1	16		10		1	1		1	1	10	
31378*	17	3	1	1	3	1	21	9	2		5	9				1	21		5	1	1	
31379	1	2	1	3	3	5	1	9	1		1	16		11		1	1		5	1	10	
31380	1	2	1	1	3	10	1	9	2			16		11		1	5		1	1	10	
31388*	27	2	1	1	18	10	1	9	1			16				2	2		28	1	10	
31389	4	1	1	1	3	1	1	9	1		1	8		10		1	1		1	1	1	
31391	1	2	1	3	3	2	1	9	1		1	16		10		1	1		1	1	10	
31392	16	2	1	3	3	5	3	9	1		1	16		11	1	2	1		1	1	10	
31393	1	2	1	1	3	1	1	9	1		2	16		10		1	1		1	1	10	
31401	27	1	1	1	3	1	1	9	1		1	8		10		1	1		1	1	1	
31403	1	2	1	1	3	10	1	9	1			16		10		1	1		1	1	10	

*Accessories: See Pages 43-46.

#Basic Engine

For Service/Complete Engines refer to Selection Guide TP-2059-A.

Limited Production: See Page 46.

Gasket Set: See Page 46.

Contact your Kohler engines parts supplier for any specification not listed.

GROUP TITLE	AIR INTAKE	BAFFLES & SHRO	BREATHER & VEI	CAVSHAFT & VAL	CARBURETOR	CRANKCASE	CRANKSHAFT	CYLINDER HEAD	DIPSTICK	ELECTRIC START	EXHAUST	FLYWHEEL	FUEL PUMP	FUEL TANK	GEAR REDUCTIOI	GOVERNOR	IGNITION	INSTRUMENT PAN	OIL PAN	PISTON AND ROE	RETRACTABLE ST	REMOTE THROTTL
Group No	1	2	3	4	5	7	8	9	10	11	12	13	14	15	16	17	18	19	21	22	23	24
SPEC NO.	VARIATION NUMBER																					
31404	1	26	1	1	3	1	1	9	1		1	16		10		1	24		1	1	10	
31405	27	61	1	3	3	2	26	9	1		1	8		11		2	1		1	1	10	1
31406*	27	3	1	1	11	10	1	9	1			16				2	1					
31407	27	1	1	1	22	1	1	9	1		1	8		14		2	1		16	1	17	
31409*	27	3	1	1	22	1	21	9	2		5	9				1	21		1	5	1	1
31410	27	2	1	3	22	5	3	9	1		1	16		11	1	2	1		1	1	10	
31411	27	2	1	1	22	1	1	9	1		1	16		10		2	1		1	1	10	
31414	1	1	1	3	3	10	10	9	1		8	8		10		1	1		1	1	1	
31415	1	2	1	1	5	1	1	3	1		1	16		12		1	1		1	1	10	
31416	1	12	1	1	5	1	1	3	1	5	1	17		12		1	1	5	9	1	1	
31418	1	12	1	1	3	19	3	9	1	2	1	17		11	1	2	1	2	9	1		
31423*	28	15	1	3	11	5	10	9	1	7		22				12	15		32	1		
#31424	27	2	1	1	95	1	1	9	1		1	16		10		1	54		1	1	10	
31425	27	2	1	3	22	15	1	9	1		8	16		30		2	1		5	1	12	2
31426*	54	61	1	3	3	2	26	9	1		1	8		10		2	1		1	1	1	1
31436	2	2	1	1	3	1	1	9	1		1	16		10		1	1		31	1	17	
31437	1	2	1	1	3	10	1	9	1			16		10		1	1		5	1	10	
31443	27	1	1	1	22	1	1	15	1		22	8		10		19	1		1	1	1	
31446*	27	3	1	1	22	1	21	9	2		5	16				1	21		5	1	4	
31447	27	1	1	1	22	1	1	9	1		1	8		14		11	1		1	1	1	
31453	27	1	1	1	3	1	1	9	1		1	8		10		1	1		5	1		
31454	1	2	1	3	3	1	1	9	1		1	16		11		2	1		1	1	10	
31457	27	1	1	3	3	2	8	9	1		1	8		10		1	1		1	1		
31458	27	1	1	3	3	2	4	9	1		1	8		10		1	1		1	1		
31459	8	2	1	1	3	19	3	15	1		7	16		10	4	21	27		35	1	18	
31474	29	1	5	1	3	1	1	9	1		1	8		10		13	1		1	1		
31477*	27	27	1	3	22	1	1	10	1		1	24				15	25		1	1		
31478	27	2	1	3	3	19	3	9	1		1	16		10	1	1	1		1	1	10	
31479	27	2	1	3	18	1	1	9	1		1	16		29		14	1		5	1	4	
31480	1	2	1	1	3	1	1	9	2		3	16		10		1	1		5	1	10	
31482*	27	3	1	1	31	10	1	9	1			16				2	2		28	1	10	
31483	1	62	1	3	3	2	4	9	1		1	16		10		2	1		1	1	10	1
31484	1	2	1	1	3	1	1	9	1		22	16		10		2	1		1	1	17	10
31485	27	3	1	1	59	1	1	9	1		6	13				1	1		1	1		
31486*	34	27	5	3	17	10	1	10	1			27				15	25		1	1		
31489	1	12	1	3	3	19	1	9	1	2	1	17		11		1	1	2	9	1		
31490*	27	3	1	3	32	10	1	11	1		1	16				2	1		16	1	10	
31493	20	12	1	1	6	19	3	9	1	2	6	17		11	1	2	1	2	9	1		
31495	27	2	1	1	18	1	1	9	1		1	16		29		16	1		5	1	4	2
31497	8	2	1	1	3	1	1	15	1		7	16		10		2	1		1	1	10	17
31498	44	8	1	4	3	5	13	16	2		34	25		15		30	7		36	1		
31500	6	3	1	1	34	1	1	9	1		1	16				17	27		5	1	4	2
31503	1	1	1	10		10	21	9	1			26				10	36		40	3		
31504	27	1	1	1	3	19	3	9	1		26	8		10	1	1	54		1	1		
#31506	27	2	1	1	3	19	3	9	1		26	16		10	1	1	54		1	1	10	
31511	7	2	1	1	3	1	1	9	1		1	16		10		1	1		1	1	10	
31512	27	3	1	3	36	1	1	9	1		1	16	1			16	1		1	1	4	2
31513	27	2	1	1	22	1	1	9	1		5	16		10		1	1		1	1	10	
31514	27	2	1	3	18	1	21	9	2		1	16		29		16	1		5	1	4	
31516	27	2	1	3	22	10	1	9	1			8		10		1	1		1	1		
31518	27	12	1	1	22	1	1	9	1	2	1	17				1	1	2	9	1		
31519	27	3	1	3	36	1	1	9	1		1	16	1			16	1		5	1	18	2
31520	27	2	1	1	18	10	21	9	1			16				16	1		5	1	4	2
31522	27	25	1	1	37	16	21	9	1			16				1	7		1	1	4	
31523*	27	15	1	1	38	10	21	9	1	8		17				1	1	7	9	1		
31524	27	2	1	3	3	1	21	9	1		1	16		10		16	1		5	1	4	2
31525	1	2	1	1	3	1	3	9	1		1	16		10		1	1		5	1	10	
31532*	1	12	1	1	26	10	1	9	1	2	23	17		10		1	1	2	9	1		
31534	27	2	1	3	18	1	21	9	1		1	16		29		14	1		5	1	4	
31546	27	1	1	1	18	1	5	9	1		1	8		29		1	1		5	1		

*Accessories: See Pages 43-45.

#Basic Engine

For Service/Complete Engines refer to Selection Guide TP-2059-A.

Limited Production: See Page 45.

Gasket Set: See Page 46.

Contact your Kohler engine parts supplier for any specification not listed.

GROUP TITLE	AIR INTAKE	BAFFLES & SHR	BREATHER & VE	CAMSHAFT & VA	CARBURETOR	CRANKCASE	CRANKSHAFT	CYLINDER HEAD	DIPSTICK	ELECTRIC STAR	EXHAUST	FLYWHEEL	FUEL PUMP	FUEL TANK	GEAR REDUCTIO	GOVERNOR	IGNITION	INSTRUMENT PA	OIL PAN	PISTON AND RO	RETRACTABLE S	REMOTE THROTT
Group No.	1	2	3	4	5	7	8	9	10	11	12	13	14	15	16	17	18	19	21	22	23	24
SPEC NO.	VARIATION NUMBER																					
31550	27	1	1	1	18	1	1	9	1		1	8		14		24	1		16	1		
31554	27	2	1	3	18	5	1	1	1		1	16		29		16	1		5	1	4	2
31559*	27	15	1	1	43	10	1	9	1	18		1	1		17	14		21	1	1		
31560	1	3	1	3	40	5	1	9	1		1	16				1		1	1	1	10	
31577	27	3	1	1	18	1	1	15	1		3	16				14	1		5	1	10	
31580		5	1	1	3	10	1	9	1			8				1	1		1	1		
31583*	27	12	1	1	22	10	1	9	1	2		17		10		1	1		9	1		
31591*	27	5	1	1	31	1	1	9	1		3	17				14	1		5	1		1
31595	1	1	1	3	3	2	1	9	1		1	8		10		2	1		1	1		
31597	1	1	1	1	3	1	1	9	1		1	8		10		1	4		1	4		
31600	37	2	1	1	46	19	3	9	1		26	16		38	4	22	32		35	1	18	
31608	27	61	1	1	3	1	1	9	1		1	8		10		2	54		1	1		1
31609	27	2	1	3	3	1	21	9	1		1	16		10		1	1		5	1	18	2
31616*	27	34	7	1	43	10	21	9	2		1	17	1			1	33		21	1		
31621*	54	1	1	3	3	2	11	9	1		1	8		11		1	1		1	1		
31625	27	2	1	1	22	1	1	14	1		1	16		11		1	1		1	1	10	
31627*	29	2	5	1	3	1	1	9	1		2	16		10		31	1		1	1	10	
31638	4	18	1	5	20	7	1	17	1		9	8				1	29		37	1		
31640	27	2	1	1	22	1	21	9	1		1	16		10		1	1		1	1	10	
31642	27	2	1	1	18	1	1	9	1		1	16		14		24	1		16	1	10	
31643	29	1	5	1	3	1	1	9	1		1	8		10		32	1		1	1		
31644	4	2	1	1	3	1	21	9	1		1	16		10		2	54		52	1	4	4
31645	27	2	1	1	3	19	3	9	1		1	16		10	1	1	1		1	1	10	
31647*	54	61	1	1	3	1	1	9	1		1	8		10		2	1		1	1		1
31649*	40	27	8	3	17	10	1	10	1			30		10		15	25		8	1		
31655	27	2	1	3	3	20	3	9	1			16		11	1	2	37		1	1	10	3
31656*	27	39	7	3	47	20	32	10	2			17		10		1	43		9	1		
31657	27	61	1	3	3	2	1	9	1		1	8		10		2	1		1	1		1
31659	1	62	1	3	3	19	3	9	1		1	16		10	1	2	1		1	1	10	1
31661	1	2	1	1	3	1	21	9	1		1	16		10		1	1		1	1	10	
31662	27	1	1	3	3	10	10	9	1		8	8		10		1	1		1	1		
31667	27	1	1	3	18	1	1	9	1		1	8		14		11	1		1	1		
31670*	40	27	8	3	50	10	1	10	1			30				15	25		8	1		
31673	27	12	1	1	3	19	1	9	1	23	1	27		10		1	99	11	53	1		
31685	27	2	1	1	3	1	1	9	1		1	16		10		1	1		5	1	10	
31686	27	1	1	1	3	1	1	9	1		1	8		10		1	1		5	1		
31687	27	1	1	3	3	2	1	9	1		1	17		10		1	1		5	1		
31689	55	2	1	1	3	10	1	9	1			16		10		1	1		1	1	10	
31690	27	3	1	3	4	1	21	9	2		3	16				1	40		5	1	17	
31691	27	1	1	1	52	1	1	3	1		1	8		44		1	1		1	1		
31692	27	2	1	3	3	2	1	9	1		1	1		10		1	1		1	1	10	
31694	27	1	1	3	3	2	1	9	1		1	8		10		1	1		1	1		
31695	55	2	1	1	3	19	3	9	1		28	16		10	1	37	44		1	1	10	
31696	27	1	1	3	3	1	1	9	1		1	8		10		1	1		1	1		
31698	27	2	1	3	3	1	1	9	1		1	16		10		2	1		1	1	10	3
31699	27	2	1	1	3	1	21	9	1		1	16		10		32	1		1	1	10	
31701	27	62	1	1	3	1	1	9	1		1	16		10		2	54		1	1	10	1
31705	27	1	1	1	3	19	3	9	1		1	8		11	1	1	1		1	1		
31706	27	1	1	1	3	1	5	9	1		1	8		10		1	1		5	1		
31707	27	2	1	1	3	1	5	9	1		1	16		10		1	1		1	1	10	
31709	4	11	1	1	5	17	5	17	1		27	8		35		1	29		37	1		
31710	27	1	1	1	3	1	5	9	1		1	8		10		1	1		1	1		
31712	1	2	1	3	3	19	3	9	1		1	16		11	1	23	1		1	1	18	
31714	27	2	1	1	3	1	1	9	1		1	16		10		1	1		1	1	10	
31715	27	12	1	1	3	19	3	9	1	23	26	27		10	1	1	99	11	9	1		
31718	27	2	1	1	3	19	3	9	1		1	16		10	1	2	1		1	1	17	
31726	29	2	5	1	3	1	1	9	1		1	16		10		13	1		1	1	17	2
31727	44	2	1	3	3	1	1	9	1		1	16		10		1	1		5	1	10	
31731*	54	1	1	3	52	2	11	3	1		1	8		62		1	1		1	1		
31734*	27	15	1	3	59	20	1	9	1	19						34	57		9	1		

*Accessories: See Pages 45-46.

#Basic Engine

For Service/Complete Engines refer to Selection Guide TP-2059-A.

Limited Production: See Page 46.

Gasket Set: See Page 46.

Contact your Kohler engine parts supplier for any specification not listed.

GROUP TITLE	AIR INTAKE	BAFFLES & ST	BREATHER & V	CAKSHAFT & V	CARBURETOR	CRANKCASE	CRANKSHAFT	CYLINDER HEF	DIPSTICK	ELECTRIC ST/	EXHAUST	FLYWHEEL	FUEL PUMP	FUEL TANK	GEAR REDUCTI	GOVERNOR	IGNITION	INSTRUMENT F	OIL PAN	PISTON AND F	RETRACTABLE	REMOTE THRO
Group No.	1	2	3	4	5	7	8	9	10	11	12	13	14	15	16	17	18	19	21	22	23	24
SPEC NO.	VARIATION NUMBER																					
31737	27	61	1	1	3	19	3	9	1		1	8		10	1	2	1		1	1		1
31739*	27	2	1	1	3	10	1	9	1			16		10		1	1		1	1		10
31740	27	2	1	3	3	1	1	9	1		1	16		10		1	1		1	1		10
31745	27	1	1	1	52	19	3	3	1		1	8		44	1	1	1		1	1		1
31748	27	2	1	1	3	1	1	9	1			16		10		1	1		5	1		17
31750	27	1	1	3	52	2	4	3	1		1	8		44		1	1		1	1		
31751	27	1	1	1	3	1	1	9	1		1	8		11		1	1		1	1		
31756	27	2	1	1	3	1	21	9	1		1	16		10		27	1		1	1		17
31757	27	2	1	1	3	1	1	9	1		1	16		10		1	1		5	1		17
31759*	27	39	7	3	47	10	21	10	2			17		10		1	43		9	1		
31760*	55	2	1	1	3	1	21	9	1			16		10		1	1		1	1		10
31762*	27	5	1	3	59	10	1	9	1			29				7	19		1	1		2
31764	27	61	1	1	52	1	1	3	1		1	8		44		2	1		1	1		1
31766	53	1	1	3	3	1	1	9	1		1	8		10		36	33		1	1		1
31770*	27	1	1	1	57	10	1	9	1			8		10		1	1		1	1		
31774	1	2	1	1	3	1	5	9	1		1	16		10		1	1		5	1		10
31775*	27	12	1	1	42	20	1	9	1	25		27		10		1	39		9	1		
31776*	27	2	1	1	3	1	36	9	1			16		10		1	45		1	1		10
31777	27	2	1	3	3	18	35	9	1			16		10		1	1		1	1		10
31779	47	2	1	1	18	1	1	9	1		1	16		51		1	1		1	1		17
31783	27	2	1	1	3	10	1	9	1			16		10		7	1		1	1		17
31786	27	2	1	3	3	2	4	9	1		1	16		10		2	1		1	1		15
31788	27	2	1	1	52	1	1	3	1		1	16		44		1	1		1	1		10
31789	27	51	1	1	3	1	1	9	1		1	8		10		2	1		1	1		
31791	1	15	1	1	13	19	1	9	1	27	1	27				1	98	11	9	1		
31793	53	64	1	1	3	1	21	23	1		1	8				1	1		5	1		
31794	55	2	1	1	3	1	21	9	1		1	16		10		28	1		1	1		10
31795	27	2	1	3	3	19	3	9	1		1	16		10		1	1		1	1		17
31796	27	1	1	1	3	19	3	9	1		1	8		11	1	1	10		1	1		
31797	27	3	1	1	18	1	21	9	1		1	16				26	31		5	1		10
31799	4	29	1	5	20	7	1	21	1		9	16				1	29		37	1		17
31800	27	12	1	3	3	2	4	9	1	23	1	27		10		1	99	11	9	1		
31801	27	12	1	3	3	19	1	9	1	23	1	27		10		1	99	11	9	1		
31802	27	2	1	1	3	19	3	9	1		1	16		11	1	1	1		1	1		17
31803	27	2	1	1	52	1	1	3	1		1	16		44		2	1		1	1		17
31804	27	2	1	1	52	19	3	3	1		1	16		44	1	2	1		1	1		17
31805	27	52	1	1	3	1	1	9	1		1	16		10		1	1		1	1		10
31806	27	2	1	1	52	19	3	3	1		1	16		44		1	1		1	1		10
31807*	48	53	8	3	17	10	1	13	1		1	16				15	46		8	1		
31808	27	8	1	1	3	1	1	9	1		1	16		10		1	7	50	5	1		17
31810*	40	27	8	3	17	10	1	10	1			32				15	25		8	1		
31813	27	12	1	3	3	19	3	9	1	23	1	27		10	1	2	99	11	9	1		
31814*	54	1	3	11	18	21	9					33				29	30		45	1		
31815*	54	1	3	11	18	3	9					33				29	30		45	1		
31816*	54	1	3	11	18	4	9					33				29	30		45	1		
31817*		54	1	3	11	18	5	9				33				29	30		45	1		
31818*		54	1	3	11	18	11	9				33				29	30		45	1		
31819		60	1	4	11	5	13	16				34				30	7		45	1		
31820*		54	1	3	11	18	36	9				33				29	30		45	1		
31821*		1	5	1	3	1	1	9	1		1	8		10		32	1		1	1		
31822*	49	27	8	3	66	10	1	10	1			35				15	47		8	1		
31823	4	11	1	5	18	7	4	17	1		9	8		52		1	29		37	1		
31824	27	2	1	1	3	1	1	9	1		1	16		10		1	1		16	1		10
31825	27	1	1	1	3	1	1	9	1		1	8		10		1	1		16	1		
31826	27	12	1	1	3	19	1	9	1	23	1	27		10		2	99	11	9	1		
31827	27	2	1	1	3	19	3	9	1		1	16		53	1	2	20		1	1		10
31828	27	2	1	1	18	1	1	9	1		1	16		14		1	1		16	1		10
31829	27	1	1	1	3	19	3	9	1		26	8		10		1	1		1	1		
31830	27	1	1	1	3	1	1	9	1		1	8		10		7	1		1	1		2
31831	27	2	1	1	3	1	21	9	1		1	16		10		1	1		1	1		10

*Accessories: See Pages 44-45.

#Basic Engine

For Service/Complete Engines refer to Selection Guide TP-2059-A.

Limited Production: See Page 45.

Gasket Set: See Page 46.

Contact your Kohler engines parts supplier for any specification not listed.

GROUP TITLE	VARIATION NUMBER																							
	AIR INTAKE	BAFFLES & S	BREATHER & I	CAKSHAFT & I	CARBURETOR	CRANKCASE	CRANKSHAFT	CYLINDER HEF	DIPSTICK	ELECTRIC ST	EXHAUST	FLYWHEEL	FUEL PUMP	FUEL TANK	GEAR REDUCTI	GOVERNOR	IGNITION	INSTRUMENT P	OIL PAN	PISTON AND R	RETRACTABLE	REMOTE THROT		
Group No.	1	2	3	4	5	7	8	9	10	11	12	13	14	15	16	17	18	19	21	22	23	24		
SPEC NO.																								
31833	4	18	1	5	20	21	4	22	1		3	8				1	29		37	1				
31835	27	56	1	1	18	1	21	9	1		1	8				1	8		5	1				
31838*	40	27	8	3	66	10	40	10	1			36				15	49		8	1				
31839*	40	27	8	3	50	10	40	10	1			36				15	48		8	1				
31841	27	2	1	1	18	1	1	9	1		1	16		14		24	1		16	1	17			
31843*	27	2	1	1	3	1	5	9	1		92	16		10		1	1		1	1	10			
31850	59	62	1	1	3	19	3	9	1		26	16		10	1	2	1		5	1	10	1		
31857*		56	1	1	18	22	21	9	2		1	8				1	51	51	47	1	15		1	
31860	27	12	1	3	3	20	1	9	1	23	27			10		1	99		9	1				
31862	27	7	1	1	18	1	1	10	1		1	16		55		7	50		1	1	10			
31863	27	99	1	1	3	1	1	9	1		1	8		10		1	1		5	1				
31865*	44	15	1	3	63	20	1	9	1	26	1	27				1	99		9	1				
31866	27	2	1	3	36	1	1	9	1		1	16	1			1	1		1	1	15			
31867*	27	3	1	3	3	20	3	9	1		8	12			1	2	20		1	1		3		
31869	27	62	1	1	3	19	3	9	1		1	16		10	1	2	1		1	1	15	1		
31870	4	11	1	5	53	17	1	17	1		27	8		35		1	29		37	1				
31872*	31	12	1	1	6	19	1	9	1	23	3	27		10		1	99	11	9	1				
31873	44	2	1	3	63	10	1	9	1		1	16		10		1	1		1	1	15			
31874	27	2	1	1	3	1	1	9	1		1	16		10		1	2		1	1	15			
31879	60	61	1	1	3	1	1	9	1		1	8		59		2	1		1	1		1		
31880*	54	1	1	1	3	1	1	9	1		1	8		59		1	1		49	1				
31881	60	1	1	1	3	1	1	9	1		1	8		59		1	1		49	1				
31882	4	11	1	5	53	17	8	17	1		35	8		35		1	29		37	1				
31883*	27	2	1	1	50	10	35	9	1		3	16				1	52		1	1	15			
31884*		56	1	1	18	22	21	9	2		2	16				1	51	51	47	1	15			
31886	56	63	1	1	3	1	21	23	1		1	16				1	1		5	1	15			
31888	1	1	1	1	3	10	21	9	1		1	8		10		1	19		9	1				
31891*	27	15	1	3	50	20	1	9	1	19	29					34	57		9	1				
31892	1	1	1	3	52	2	26	3	1		1	8		46		1	1		1	1				
31893	27	2	1	1	3	1	1	9	1		1	16		10		1	1		45	1	15			
31894	27	1	1	1	3	2	4	9	1		1	8		10		1	1		1	1				
31895*	56	1	1	1	18	22	21	9	2		1	8				1	51	51	47	1				
31898	27	2	1	3	3	2	35	9	1		1	16				31	1		1	1	15			
31899*	27	2	1	1	3	10	1	9	1		1	16		10		1	1		1	1	15			
31900*	27	54	1	3	3	18	21	9	1		33					29	30		45	1				
31901*	27	54	1	3	3	18	3	9	1		33					29	30		45	1				
31902*	27	54	1	3	3	18	5	9	1		33					29	30		45	1				
31903	27	60	1	4	3	5	13	16	2		25	34				30	7		45	1				
31904*	27	54	1	3	3	18	4	9	1		33					29	30		45	1				
31905*	54	1	1	1	67	1	1	3	1		1	8		200		1	1		1	1				
31907	27	2	1	3	18	1	21	9	2		1	16				16	1		47	1	98			
31908	53	1	1	1	3	1	41	9	2		2	8				7	1		1	1				
31911	4	11	1	5	53	17	1	17	1		27	8		35		1	29		37	1				
31912	27	1	1	1	52	19	3	3	1		26	8		44	1	1	1		1	1				
31913	60	1	1	1	3	1	4	9	1		1	8		59		1	1		1	1				
31914*		56	1	1	18	22	21	9	2		2	25				1	51	51	47	1	15			
31916*	54	1	1	1	3	1	1	9	1		1	8		59		1	1		1	1				
31918	40	27	8	3	66	10	40	10	1			36				15	48		8	1				
31919*	57	66	1	1	18	22	21	23	2		2	16				38	51	51	47	1	15			
31920	53	2	1	1	3	1	1	9	1		1	16		10		1	1		1	1	15			
31921	53	1	1	3	3	2	4	9	1		1	8		10		1	1		1	1				
31922	53	2	1	3	3	2	4	9	1		1	16		10		1	1		1	1	15			
31924	27	62	1	1	3	19	3	9	2		26	16		10	1	2	1		1	1	15	1		
31925*	54	1	1	3	67	2	11	3	1		1	8		200		1	1		1	1				
31926*	54	1	1	1	67	19	3	3	1		26	8		200	1	1	1		1	1				
31927	27	61	1	1	67	1	1	3	1		1	8		200		2	1		1	1		1		
31928	27	61	1	3	67	2	4	3	1		1	8		200		2	1		1	1		1		
31929	27	1	1	1	67	1	26	3	1		1	8		200		1	1		1	1				
31930	60	1	1	1	3	1	26	9	1		1	8		10		1	1		1	1				
31933	53	2	1	1	3	1	1	9	2		1	38		10		1	54		5	1	15			

*Accessories: See Pages 43-45.

#Basic Engine

For Service/Complete Engines refer to Selection Guide TP-2059-A.

Limited Production: See Page 45.

Gasket Set: See Page 46.

Contact your Kohler engines parts supplier for any specification not listed.

GROUP TITLE	AIR INTAKE	RAFFLES & SHRC	BREATHER & VEF	CAVSHAFT & VAL	CARBURETOR	CRANKCASE	CRANKSHAFT	CYLINDER HEAD	DIPSTICK	ELECTRIC START	EXHAUST	FLYHEEL	FUEL PUMP	FUEL TANK	GEAR REDUCTION	GOVERNOR	IGNITION	INSTRUMENT PAN	OIL PAN	PISTON AND RO	RETRACTABLE S	REMOTE THROTTI
Group No.	1	2	3	4	5	7	8	9	10	11	12	13	14	15	16	17	18	19	21	22	23	24
SPEC NO.	VARIATION NUMBER																					
31934	60	2	1	3	3	2	35	9	1		1	16		10		1	1		1	1	15	
31935*	54	1	1	3	67	2	4	3	1		1	8		200		1	1		1	1	1	
31936	55	2	1	1	3	1	1	9	1		1	16		10		31	1		1	1	15	
31937*	27	2	1	3	50	18	4	9	1			16					52		1	1	15	
31945	53	66	1	1	3	1	21	24	1		2	16					51	51	5	1	15	
31946	60	67	1	1	70	1	1	3	1		1	8		64		1	1		1	1		
31947	53	69	1	1	71	1	1	3	1		1	16		64		1	55		1	1	15	
31950	27	2	1	1	3	1	1	9	1		1	16		10		1	1		5	1	15	
31951*		56	1	1	18	22	21	9	2		2	16					51		47	1	15	
31952	63	2	1	1	18	1	1	9	1		2	41		10		31	1		1	1	21	
31955	53	68	1	1	71	1	1	3	1		1	8		64		2	55		1	1		1
31958	53	67	1	3	71	2	4	3	1		1	8		64		1	55		1	1		
31959	53	67	1	1	71	1	1	3	1		1	8		64		1	55		1	1		
31963		29	1	5	20	24	1	17	1		27	16				1	29		37	1	15	
31964*	27	1	1	3	50	18	35	9	1			16				1	52		1	1	15	
31965	27	1	1	3	18	2	4	9	1		1	8		10		1	1		1	1		
31966	44	2	1	1	3	1	1	9	1		1	16		10		1	1		1	1	15	
31968	44	70	1	4	18	5	4	25	2		34	25		15		30	58	56	36	1	15	
31969*	61	66	1	3	3	1	21	23	2		1	38				1	56	58	47	3	21	
31973*	27	15	1	3	59	20	1	9	1	29		29				34	57		9	1		
31974	27	70	1	4	18	5	4	25	1		34	16		15		39	58	56	36	1	20	
31975	27	2	1	1	18	1	1	9	2		1	38		10		1	54		1	1	21	
31976	27	2	1	3	18	2	4	9	1		1	38		10		1	1		1	1	21	
31977	27	1	1	3	18	2	21	9	1		1	41		10		1	1		1	1		
31978	27	1	1	3	18	2	5	9	1		1	8		10		1	1		1	1		
31979	27	1	1	3	18	2	8	9	1		1	8		10		1	1		1	1		
31980	60	2	1	3	3	18	35	9	1			16				31	1		1	1	21	
31982	27	2	1	1	18	1	21	9	1		1	38		10		1	1		45	1	21	
31989	53	2	1	1	18	1	21	9	2		1	38		10		1	54		5	1	21	
31990	27	15	1	3	59	20	21	9	1	29		42				34	57		9	1		
31992*		56	1	1	73	1	21	9	2		1	38				1	56		47	1	21	
31994*	53	66	1	1	72	10	21	24	1		37	38				1	56		5	1	21	
31996*	27	27	1	3	74	20	21	9	1		38	42				34	57		1	1		
31997	27	2	1	3	18	2	35	9	1		1	38		10		1	54		1	1	21	

*Accessories: See Pages 43-45.
 #Basic Engine
 For Service/Complete Engines refer
 to Selection Guide TP-2059-A.

Limited Production: See Page 45.
 Gasket Set: See Page 46.
 Contact your Kohler engines parts supplier
 for any specification not listed.

GROUP TITLE	<table border="1"> <tr> <td>AIR INTAKE</td> <td>BAFFLES & SHR</td> <td>BREATHER & VE</td> <td>CAMSHAFT & VA</td> <td>CARBURETOR</td> <td>CRANKCASE</td> <td>CRANKSHAFT</td> <td>CYLINDER HEAD</td> <td>DIPSTICK</td> <td>EXHAUST</td> <td>FLYWHEEL</td> <td>FUEL TANK</td> <td>GOVERNOR</td> <td>IGNITION</td> <td>INSTRUMENT PA</td> <td>OIL PAN</td> <td>PISTON & ROD</td> <td>RETRACTABLE S</td> </tr> <tr> <td>1</td> <td>2</td> <td>3</td> <td>4</td> <td>5</td> <td>7</td> <td>8</td> <td>9</td> <td>10</td> <td>12</td> <td>13</td> <td>15</td> <td>17</td> <td>18</td> <td>19</td> <td>21</td> <td>22</td> <td>23</td> </tr> </table>																							AIR INTAKE	BAFFLES & SHR	BREATHER & VE	CAMSHAFT & VA	CARBURETOR	CRANKCASE	CRANKSHAFT	CYLINDER HEAD	DIPSTICK	EXHAUST	FLYWHEEL	FUEL TANK	GOVERNOR	IGNITION	INSTRUMENT PA	OIL PAN	PISTON & ROD	RETRACTABLE S	1	2	3	4	5	7	8	9	10	12	13	15	17	18	19	21	22	23
	AIR INTAKE	BAFFLES & SHR	BREATHER & VE	CAMSHAFT & VA	CARBURETOR	CRANKCASE	CRANKSHAFT	CYLINDER HEAD	DIPSTICK	EXHAUST	FLYWHEEL	FUEL TANK	GOVERNOR	IGNITION	INSTRUMENT PA	OIL PAN	PISTON & ROD	RETRACTABLE S																																									
1	2	3	4	5	7	8	9	10	12	13	15	17	18	19	21	22	23																																										
Group No.	1	2	3	4	5	7	8	9	10	12	13	15	17	18	19	21	22	23																																									
SPEC NO.	VARIATION																	NUMBER																																									
4002C	202	200	99	99	199	99	99	98	99	94	99	199	99	99		199	99	99																																									
4002E	1	8	1	4	3	5	13	16	2	3	16	15	4	7	51	12	1	4																																									
4004E	1	8	1	4	3	5	13	16	2	3	16	15	4	7	51	11	1	4																																									
4005E	20	1	1	4	6	5	13	9	2	3	8	15	4	8		11	1	4																																									
4006E	12	8	1	4	3	5	13	14	2	1	16	15	5	9	50	12	1	4																																									
4007E	12	8	1	4	3	5	13	14	2	1	16	15	5	9	50	12	1	4																																									
4008E	1	8	1	4	3	5	13	16	2	3	16	15	4	7	51	12	1	4																																									
4009E	1	8	1	4	3	5	13	9	2	3	16	15	4	7	51	11	1	4																																									
4011D	203	201	99	98	200	98	98	97	99	93	98	200	98	98		200	99																																										
4012E	24	8	1	4	8	5	13	5	2	3	16	10	4	7	51	14	1	4																																									
4013D	204	202	99	98	201	98	98	97	99	93	98	201	98	98		200	99																																										
4014E	1	8	1	4	3	5	13	9	2	3	16	15	4	7	51	11	1	4																																									
4015E	20	1	1	4	6	5	13	9	2	3	8	15	4	8		11	1	4																																									
4016E	1	8	1	4	3	5	13	16	2	3	16	15	4	7	51	11	1	4																																									
4017E	1	8	1	4	3	5	13	16	2	3	16	15	4	7	51	12	1	4																																									
4018E	1	199	1	4	3	5	13	99	2	3	16		4	7	54	11	1	4																																									
4020E	1	8	1	4	3	5	13	16	2	3	16	15	4	7	51	11	1	4																																									
4021E	1	8	1	4	3	5	13	16	2	3	16	15	4	7	51	11	1	4																																									
4022E	13	9	2	4	8	5	13	5	2	3	9		4	7		13	1	1																																									
4023E	13	9	2	4	8	5	13	6	2	1	9		5	9	57	14	1	1																																									
4024E	14	5	2	4	9	5	13	1	2	3	8		4	8		13	1																																										
4025E	1	8	1	4	3	5	13	16	2	3	16	15	4	7	51	11	1	4																																									
4026E	12	8	1	4	3	5	13	14	2	1	16	15	5	9	50	12	1	4																																									
4027E	20	1	1	4	6	5	13	9	2	3	8	15	4	8		11	1	4																																									
4028E	12	8	1	4	3	5	13	14	2	1	16	15	5	9	50	12	1	4																																									
4029E	13	9	2	4	8	5	13	6	2	1	9		5	9	57	14	1	1																																									
4030E	15	5	2	4	10	5	13	1	2	3	8		4	8		13	1																																										
4031E	12	8	1	4	3	5	13	14	2	1	16	15	5	9	50	12	1	4																																									
4032E	200	199	1	4	3	5	13	9	2	3	16		4	7	54	11	1	4																																									
4033E	14	5	2	4	9	5	13	1	2	3	8		4	8		13	1																																										
4034E	1	8	1	4	3	5	13	16	2	95	16	15	4	7	51	11	1	4																																									
4035E	1	8	1	4	3	5	13	16	2	3	16	15	4	7	51	12	1	4																																									
4036E	201	199	1	4	3	5	13	99	2	3	16		4	7	54	11	1	4																																									
4037E	205	8	1	4	8	5	13	6	2	1	16	10	5	9	50	14	1	4																																									
4039E	1	8	1	4	3	5	13	16	2	3	16	15	4	7	51	12	1	4																																									
4040E	205	8	1	4	8	5	13	6	2	3	16	10	4	7	51	13	1	4																																									
4042E	199	8	1	4	3	5	13	14	2	99	16	15	5	7	51	12	1	15																																									
4043E	12	8	1	4	3	5	13	1	2	1	16	15	5	9	50	26	1	4																																									
4044E	11	5	1	4	6	5	13	1	2	3	8		4	8		11	1																																										
4045E	1	8	1	4	3	5	13	16	2	3	16	15	4	7	51	11	1	4																																									
4046E	12	8	1	4	3	5	13	14	2	1	16	15	5	9	50	12	1	4																																									
4047E	12	8	1	4	3	5	13	14	2	1	16	15	5	9	50	12	1	4																																									
4048E	27	8	1	4	22	5	13	16	2	3	16	15	4	7	51	11	1	4																																									
4049E	36	8	1	4	49	5	13	14	2	1	16	10	5	9	50	14	1	4																																									
4050E	14	5	1	4	24	5	13	9	2	3	8		4	8		13	1																																										
4051E	14	5	1	4	25	5	13	9	2	3	8		4	8		13	1																																										
4054E	1	10	2	4	3	5	13	5	2	3	8	15	4	7	56	11	1																																										
4056E	12	10	1	4	3	5	13	14	2	1	8	15	5	9	52	12	1																																										
4057E	12	10	1	4	3	5	13	14	2	1	8	15	5	9	52	12	1																																										
4059E	1	10	2	4	3	5	13	5	2	3	8	15	4	7	56	11	1																																										
4065E	1	24	1	4	3	5	13	9	2	3	21	15	4	7	53	11	1																																										
4066E	1	8	1	4	3	5	13	16	2	3	16	15	4	7	51	11	1	4																																									
4067E	12	2	1	4	26	5	13	9	2	23	16	15	5	8		12	1	4																																									
4068E	12	8	1	4	3	5	13	14	2	1	16	15	5	9	50	12	1	4																																									
4069E	1	23	1	4	20	5	13	10	2	3	16	25	4	7	30	1	1	4																																									
4070E	11	22	1	4	6	5	13	9	2	3	21	15	4	8		11	1																																										
4071E	21	8	1	4	23	5	13	9	2	3	16	15	5	7	51	14	1	15																																									
4072E	20	1	1	4	6	5	13	9	2	3	8	27	4	8		11	1																																										
4073E	36	8	1	4	23	5	13	16	2	3	16	10	4	7	51	13	1	4																																									
4074E	1	8	1	4	3	5	13	16	2	3	16	15	4	7	51	11	1	4																																									

Contact your Kohler Generator parts supplier for any specification not listed.

For Service/Complete Engines refer to Selection Guide TP-2059-A.

GROUP TITLE	AIR INTAKE	BAFFLES & SH	BREATHER & V	CAMSHAFT & V	CARBURETOR	CRANKCASE	CRANKSHAFT	CYLINDER HEA	DIPSTICK	EXHAUST	FLYWHEEL	FUEL TANK	GOVERNOR	IGNITION	INSTRUMENT P	OIL PAN	PISTON & ROD	RETRACTABLE
	1	2	3	4	5	7	8	9	10	12	13	15	17	18	19	21	22	23
Group No.	1	2	3	4	5	7	8	9	10	12	13	15	17	18	19	21	22	23
SPEC NO.	VARIATION NUMBER																	
4076E	11	2	1	4	6	5	13	9	2	3	16	15	4	8		11	1	4
4077E	1	1	4	4	26	5	13	9	2	23	8	15	4	8		11	1	4
4078E	36	35	1	4	30	5	13	9	2	23	8	10	4	8		13	1	4
4079E	1	5	1	4	26	5	13	9	2	23	8		4	8		11	1	4
4080E	1	22	1	4	26	5	13	9	2	23	21	15	4	8		11	1	4
4084E	36	36	1	4	33	5	13	9	2	23	8		4	8		13	1	4
4085E	27	8	1	4	3	5	13	16	2	25	25	15	4	7	51	36	1	4
4085F	27	8	1	4	3	5	13	16	2	25	25	15	4	7	51	36	1	4
4085G	44	8	1	4	3	5	13	16	2	98	25	15	30	7	51	36	1	15
4088E	36	37	1	4	30	5	13	9	2	23	21	15	4	8		13	1	4
4089E	1	9	1	4	21	5	13	9	2	3	16		4	7		11	1	4
4092E	1	8	1	4	3	5	13	16	2	3	16	15	4	7	51	11	1	4
4093E	36	37	1	4	30	5	13	9	2	23	21	15	5	8		14	1	4
4096E	1	33	1	4	41	5	13	10	2	23	8	37	4	8		11	1	4
4099E	27	8	1	4	3	5	13	16	2	25	25	15	4	7	51	36	1	4
40101E	27	8	1	4	3	5	13	16	2	25	25	15	4	7	51	36	1	4
40101F	27	8	1	4	3	5	13	16	2	25	25	15	4	7	51	36	1	4
40102E	44	1	1	4	45	5	13	9	2	23	26	15	4	8		36	1	4
40104E	27	8	1	4	3	5	13	16	2	25	25	15	4	7	51	36	1	4
40104F	27	8	1	4	3	5	13	16	2	25	25	15	4	7	51	36	1	4
40105E	206	36	1	4	33	5	13	9	2	23	26		4	8		39	1	4
40106E	36	8	1	4	49	5	13	16	2	25	25	15	4	7	51	39	1	4
40106F	36	8	1	4	49	5	13	16	2	25	25	15	4	7	51	39	1	4
40107E	27	8	1	4	3	5	13	16	2	25	25	15	4	7	51	36	1	4
40107F	27	8	1	4	3	5	13	16	2	25	25	15	4	7	51	36	1	4
40107G	44	8	1	4	3	5	13	16	2	98	25	15	30	7	51	36	1	15
40108E	44	1	1	4	45	5	13	9	2	23	26	15	4	8		36	1	4
40108F	44	1	1	4	45	5	13	9	2	23	26	15	4	8		36	1	4
40109E	36	35	1	4	30	5	13	15	2	23	26	15	4	8		39	1	4
40109F	36	35	1	4	30	5	13	15	2	23	26	15	4	8		39	1	4
40110E	44	22	1	4	45	5	13	9	2	23	21	15	4	8		36	1	4
40111E	12	22	1	4	26	5	13	9	2	23	21	15	5	8		12	1	4
40112E	27	8	1	4	3	5	13	16	2	25	25	15	4	7	51	36	1	4
40113E	27	23	1	4	20	5	13	10	1	3	25	25	4	7		36	1	4
40114E	27	8	1	4	3	5	13	16	2	25	25	15	4	7	51	36	1	4
40115E	44	1	1	4	45	5	13	9	2	23	26	15	4	8		36	1	4
40115F	44	1	1	4	45	5	13	9	2	23	26	15	4	8		36	1	4
40116E	36	8	1	4	49	5	13	16	2	25	25	15	4	7	51	39	1	4
40116F	36	8	1	4	49	5	13	16	2	25	25	15	4	7	51	39	1	4
40117E	32	35	1	4	30	5	13	15	2	23	26	15	4	8		39	1	4
40118E	27	9	1	4	21	5	13	9	2	25	25		4	35	55	36	1	4
40119E	27	8	1	4	3	5	13	16	2	25	25	15	4	7	51	36	1	4
40119G	44	8	1	4	3	5	13	16	2	34	25	15	30	7	51	36	1	15
40120E	199	8	1	4	3	5	13	14	2	99	16	15	5	7	51	12	1	15
40121E	21	8	1	4	23	5	13	9	2	3	16	15	5	7	51	14	1	4
40122E	27	9	1	4	21	5	13	9	2	25	25		4	7		36	1	4
40123E	12	9	1	4	56	5	13	9	2	1	16		5	9	57	12	1	4
40124E	44	1	1	4	45	5	13	9	2	23	26	15	4	8		36	1	4
40125G	44	8	1	4	3	5	13	16	2	34	25	15	30	7	51	36	1	15
40126E	196	32	1	4	3	5	13	16	2	25	25	15	4	7		36	1	4
40127G	44	8	1	4	3	5	13	16	2	98	25	15	30	7	51	36	1	15
40128F	27	24	1	4	3	5	13	16	2	29	21	15	4	7	53	36	1	15
40129E	199	8	1	4	3	5	13	14	2	99	16	15	5	7	51	12	1	15
40130E	44	22	1	4	45	5	13	9	2	23	21	15	4	8		36	1	4
40130F	44	22	1	4	45	5	13	9	2	23	21	15	4	8		36	1	4
40131E	44	1	1	4	63	5	13	9	2	23	26		4	8		36	1	4
40132E	36	36	1	4	33	5	13	9	2	23	26		4	8		39	1	4
40132F	36	36	1	4	33	5	13	9	2	23	26		4	8		39	1	4
40133F	27	8	1	4	3	5	13	16	2	25	25	15	4	7	51	36	1	4
40134E	12	8	1	4	18	5	13	14	2	3	16	48	5	9	50	12	1	4

Contact your Kohler Generator parts supplier for any specification not listed.

For Service/Complete Engines refer to Selection Guide TP-2050-A.

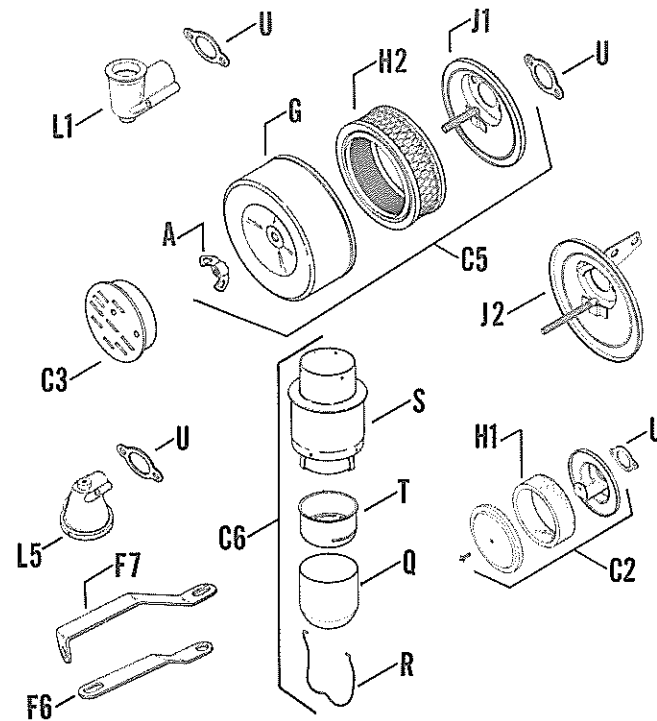
GROUP TITLE	GROUP TITLE																						
	AIR INTAKE	BAFFLES & S	BREATHER &	CAMSHAFT &	CARBURETOR	CRANKCASE	CRANKSHAFT	CYLINDER HE	DIPSTICK	EXHAUST	FLYWHEEL	FUEL TANK	GOVERNOR	IGNITION	INSTRUMENT	OIL PAN	PISTON & RO	RETRACTABLE					
Group No.	1	2	3	4	5	7	8	9	10	12	13	15	17	18	19	21	22	23					
SPEC NO.	VARIATION NUMBER																						
40135E	36	35	1	4	30	5	13	9	2	23	26	15	5	8			1						
40136E	44	1	1	4	45	5	13	9	2	23	26	15	4	8			1						
40137E	199	24	1	4	3	5	13	14	2	5	21	15	5	7	53	12	1						
40138F	27	8	1	4	3	5	13	16	2	25	25	15	4	7	51	36	1						
40139E	27	2	1	4	45	5	13	9	2	23	25	15	4	8			1	4					
40140F	27	8	1	4	3	5	13	16	2	25	25	15	4	7	51	36	1						
40141E	27	8	1	4	18	5	13	16	2	25	25	48	4	7	51	36	1	4					
40142E	36	22	1	4	33	5	13	9	2	23	21		4	8		39	1						
40143F	27	8	1	4	3	5	13	16	2	25	25	15	4	7	51	36	1	4					
40143G	44	8	1	4	3	5	13	16	2	98	25	15	30	7	51	36	1	15					
40144F	27	23	1	4	20	5	13	10	2	25	25	25	4	7		39	1	4					
40145E	199	24	1	4	3	5	13	14	2	99	21	15	5	7	53	12	1						
40146E	36	37	1	4	30	5	13	15	2	23	21	15	4	8		39	1						
49146F	36	37	1	4	30	5	13	15	2	23	21	15	4	8		39	1						
40147G	27	8	1	4	3	5	13	16	2	25	25	15	4	7	51	36	1	18					
40148F	27	8	1	4	22	5	13	16	2	25	25	27	4	7	51	36	1	4					
40149G	36	8	1	4	49	5	13	16	2	25	25	15	4	7	51	39	1	18					
40150G	199	8	1	4	3	5	13	14	2	99	16	15	5	7	51	12	1	15					
40151E	199	10	1	4	3	5	13	14	2	3	8	15	5	7	56	12	1						
40152A	36	8	1	4	49	5	13	14	2	1	16	10	5	9	50	14	1	4					
40152E	36	8	1	4	49	5	13	14	2	1	16	10	5	9	50	14	1	4					
40153G	12	8	1	4	3	5	13	14	2	1	16	15	5	7	51	12	1	18					
40154G	199	8	1	4	3	5	13	14	2	99	16	15	5	7	51	12	1	15					
40156E	36	42	1	4	49	5	13	9	2	3	21	15	5	7		14	1						
40157E	12	23	1	4	20	5	13	10	2	1	16	25	5	9	57	14	1	4					
40158E	12	24	1	4	3	5	13	14	2	3	21	15	5	7	53	12	1						
40159E	36	42	1	4	49	5	13	14	2	3	21	15	5	7		14	1						
40160E	199	10	1	4	3	5	13	14	2	3	8	15	5	7	56	12	1						
40161E	199	24	1	4	3	5	13	14	2	5	21	15	5	7	53	12	1						
40162E	199	9	1	4	3	5	13	14	2	1	16		5	9	57	12	1	4					
40163E	12	10	1	4	59	5	13	9	2	3	8		5	9	52	12	1						
40164E	36	10	1	4	49	5	13	14	2	3	8	15	5	7	56	14	1						
40165G	199	8	1	4	3	5	13	14	2	99	16	15	5	7	51	12	1	15					
40166E	4	18	1	12	20	7	13	7	2	2	28		5	29		43	1						
40167E	2	8	1	4	3	5	13	14	2	3	16	15	5	9	50	12	1	4					
40168F	27	1	1	4	58	5	13	9	2	23	26	48	4	8		36	1						
40169F	36	8	1	4	49	5	13	16	2	25	25	15	4	7	51	39	1	4					
40170F	44	1	1	4	63	5	13	9	2	23	26		4	8		36	1						
40171G	36	8	1	4	49	5	13	14	2	1	16	10	5	9	50	14	1	4					
40172F	36	35	1	4	30	5	13	15	2	23	26	15	4	8		39	1						
40173G		8	1	4	3	5	13	14	2	5	16	15	5	7	51	12	1	15					
40174G	27	8	1	4	18	5	13	16	2	25	25	48	4	7	51	36	1	18					
40175F	44	1	1	4	45	5	13	9	2	23	26	15	4	8		36	1						
40178G	27	8	1	4	18	5	13	16	2	98	25	58	4	7	51	36	1	15					
40179E	36	1	1	4	30	5	13	9	2	23	8	15	5	8		12	1						
40180G	36	9	1	4	49	5	13	9	2	25	25		4	7		39	1	18					
40181G	27	8	1	4	3	5	13	16	2	25	25	15	4	7	51	36	1	18					
40182G	27	8	1	4	18	5	13	16	2	25	25	48	4	7	51	36	1	18					
40183G	12	8	1	4	3	5	13	14	2	1	16	15	5	7	51	12	1	18					
40184E	44	1	1	4	45	5	13	9	2	23	8	15	5	8		12	1						
40185G	44	8	1	4	3	5	13	16	2	98	25	15	30	7	51	36	1	15					
40189G	44	8	1	4	3	5	13	16	2	34	25	15	30	7	51	36	1	15					
40190G	44	8	1	4	3	5	13	16	2	34	25	15	30	7	51	36	1	15					
40191G	44	8	1	4	3	5	13	16	2	98	25	15	30	7	51	36	1	15					
40192G	44	8	1	4	3	5	13	16	2	34	25	15	30	7	51	36	1	15					
40193G	44	8	1	4	3	5	13	16	2	98	25	15	30	7	51	36	1	15					
40194G	44	8	1	4	3	5	13	16	2	98	25	15	30	7	51	36	1	15					
40195F	36	35	1	4	30	5	13	16	2	23	26	15	4	8		39	1						
40196G	27	24	1	4	63	5	13	16	2	34	21	15	4	7	53	36	1						
40197E	32	37	1	4	30	5	13	15	2	23	21	15	5	8		12	1						

Contact your Kohler Generator parts supplier for any specification not listed. For Service/Complete Engines refer to Selection Guide TP-2050-A.

GROUP TITLE	AIR INTAKE	BAFFLES & SHR	BREATHER & VE	CAMSHAFT & VA	CARBURETOR	CRANKCASE	CRANKSHAFT	CYLINDER HEAD	DIPSTICK	EXHAUST	FLYWHEEL	FUEL TANK	GOVERNOR	IGNITION	INSTRUMENT PA	OIL PAN	PISTON & ROD	RETRACTABLE S
Group No.	1	2	3	4	5	7	8	9	10	12	13	15	17	18	19	21	22	23
SPEC NO.	VARIATION NUMBER																	
40198F	44	1	1	4	45	5	13	9	2	23	26	15	4	8		36	1	
40199F	196	37	1	4	13	5	13	9	2	29	21		4	8		36	1	
40200G	44	8	1	4	3	5	13	16	2	98	25	15	30	7	51	36	1	15
40201G	44	8	1	4	3	5	13	16	2	98	25	15	30	7	51	36	1	15
40202G	44	8	1	4	3	5	13	16	2	98	25	15	30	7	51	36	1	15
40203G	44	8	1	4	3	5	13	16	2	98	25	15	30	7	51	36	1	15
40205E	197	2	1	4	13	5	13	9	2	97	16		5	8		12	1	15
40206E	197	2	1	4	13	5	13	9	2	99	16		5	8		12	1	15
40208E	36	8	1	4	64	5	13	9	2	3	16	15	5	7	51	14	1	15
40209G	44	8	1	4	3	5	13	16	2	98	25	15	30	7	51	36	1	15
40211G	27	8	1	4	18	5	13	16	2	34	25	58	4	7	51	36	1	15
40212G	44	8	1	4	3	5	13	16	2	96	25	15	4	7	51	36	1	15
40213G	44	8	1	4	3	5	13	16	2	96	25	15	4	7	51	36	1	15
40219G	44	8	1	4	3	5	13	16	2	96	25	15	4	7	51	36	1	15

Contact your Kohler Generator parts supplier for any specification not listed.

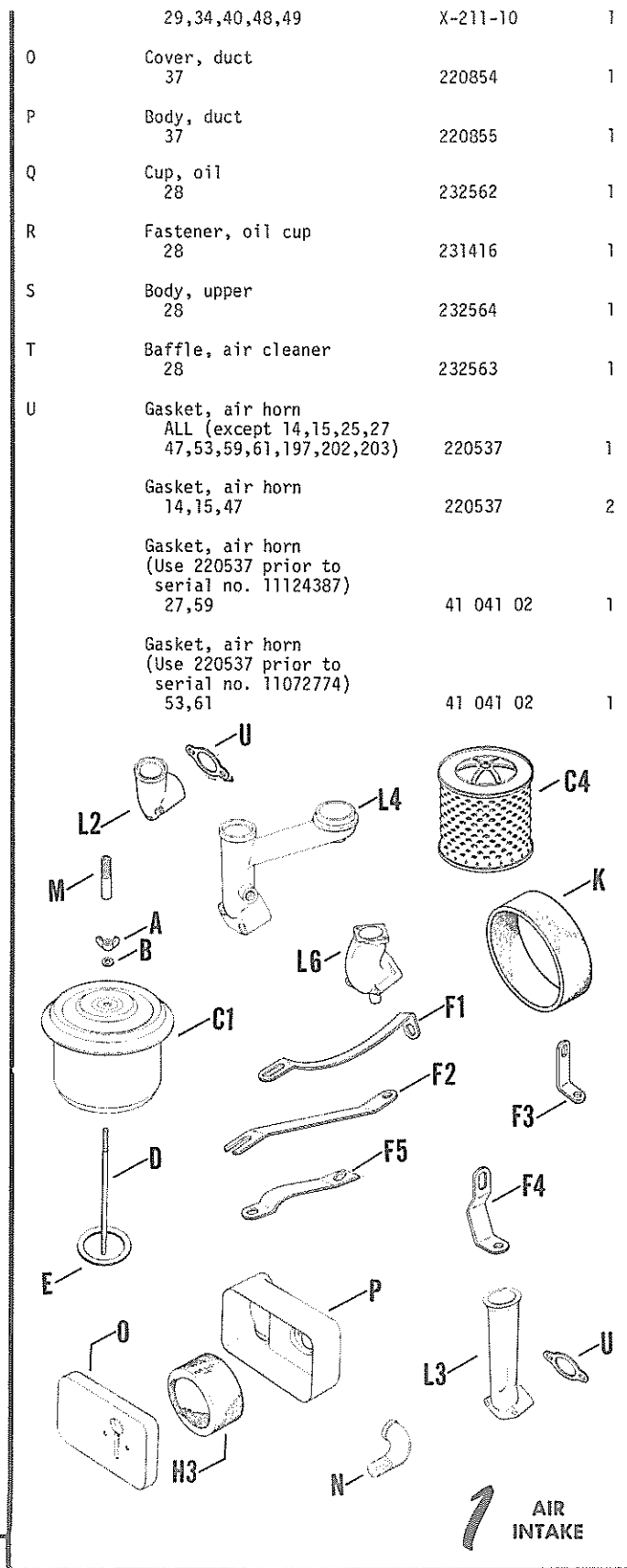
For Service/Complete Engines refer to Selection Guide TP-2059-A.

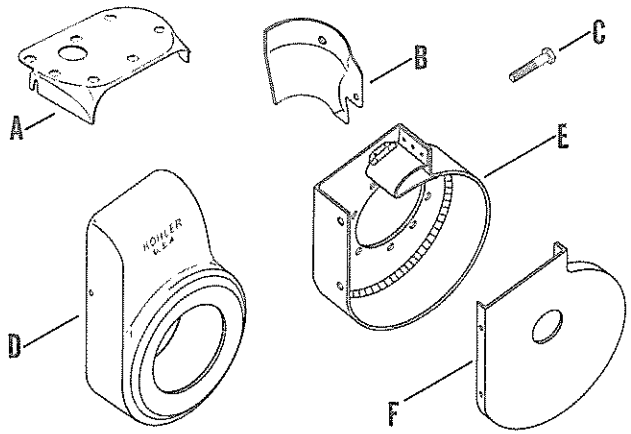


INDEX LTR.	DESCRIPTION VARIATION NUMBER	PART NUMBER	QTY.
	Use stock of original part number before ordering replacement.		
A	Nut, wing 1/4 - 20 1,4,5,7,9,11,13,14,15,20, 21,27,29,31,36,44,47,48, 53,55,56,57,59,60,61,63, 196,197,201,202,203,204, 205,206	X-276-7	1
	16,17	X-276-1	1
B	Washer, copper 1/4 (Replaced by X-276-7) 1,5,7,9,11,13,14,15,21, 36,48,196,197,201,202, 203,204,205,206	A-536	1
C1	Cleaner, air - assembly (Includes E) 1,5,7,9,11,13,14,15,20, 21,29,36,196,197,201,202, 203,204,205,206	A-220302	1
	4,48	A-210116	1
	Cleaner, air (Replaced by A-210323) 2	210323	1
	Cleaner, air - assembly (Use kit 220284 prior to generator set serial no 193761) (Includes elbow) 12,199	A-200137	1
C2	Cleaner, dry mesh (Includes H1) 6,200	A-220338	1

C3	Cleaner, dry mesh 8	210449	1
C4	Cleaner, air 16	220501	1
	17	220516	1
C5	Cleaner, air - assembly (Includes A,G,H2 & J1) 27,31,44,47,55,59	A-230837	1
	53,56,57	A-231886	1
C6	Cleaner, air - assembly (Replaced by A-241302) (Includes Q,R,S & T) 28	240259	1
D	Stud, cleaner 7 1,4,10,11,20,25,29,34, 48,54,196,200,202,203	220069	1
	2	220318	1
	3,5,7,9,201	220314	1
	Stud, cleaner 6-3/8 13,14,15,21	200186	1
	Stud, cleaner 5-7/8 16,17	220507	1
	Stud, cleaner 7-3/4 40	280151	1
	Stud, cleaner 5-7/8 204	200187	1
E	Gasket, air cleaner 1,5,7,9,11,13,14,15,20, 21,29,36,196,197,201,202, 203,205,206	220509	1
	4,48	210469	1
	Gasket, air cleaner (Discontinued--Not Available) 16,17	220719	1
F1	Brace, elbow 1,4,10,11,20,25,29,34,54, 196,202,203	220371	1
	32,36,206	220732	1
F2	Brace, cleaner 2	220252	1
	Brace, elbow 40,48,49	220905	1
F3	Brace, elbow 3,9'	220292	1
	13,14,15,204	220270	1
F4	Brace, cleaner 5	220515	1
F5	Brace, elbow 7,201	220300	1
F6	Brace, elbow 21,24,205	220664	1
F7	Brace, cleaner (Discontinued--Not Available) 28	220715	1

	27,31,44,47,55,59,60	230839	1
	53,56,57,61,63	231855	1
H1	Element, filter 6,200	220922	1
H2	Element, filter 27,31,44,47,55,59,60	230840	1
	53,56,57,61,63	231847	1
H3	Element, filter 37	235308	1
J1	Base, air cleaner 31,44,47,55	230838	1
	Base, air cleaner (Use 230838 prior to serial no. 11124387) 27,59	41 201 02	1
	Base, air cleaner 56,57,63	231857	1
	Base, air cleaner (Use 231857 prior to serial no. 11072774) 53,61	41 201 03	1
J2	Base, air cleaner 60	221149	1
K	Precleaner, element (May be used with filter element 230840)	234870	1
	Precleaner, element (May be used with filter element 231847)	234869	1
L1	Elbow, cleaner 1,4,10,25,54,196,200,202	220173	1
	11,20,203	220342	1
	29,34	220731	1
	40,48,49	220900	1
L2	Elbow, intake 2	210359	1
	Elbow, cleaner 16,17	220508	1
L3	Elbow, air intake 3,5,9	220291	1
	Elbow, cleaner 7,201	220294	1
L4	Elbow, cleaner 13,14	220484	1
L5	Elbow, cleaner 28	230537	1
L6	Elbow, cleaner 47	232505	1
M	Nipple 1 x 1/8 29,34,40,48,49	X-483-1	1



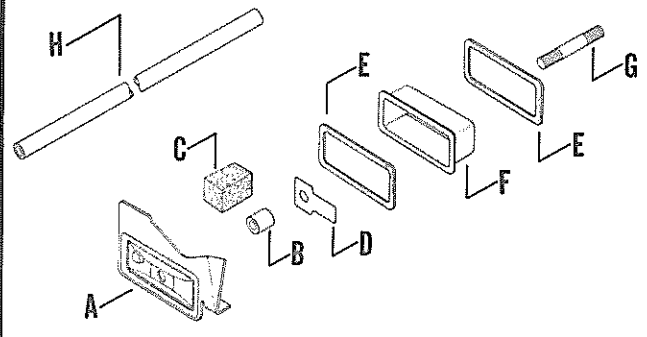


INDEX LTR.	DESCRIPTION VARIATION NUMBER	PART NUMBER	QTY.
Use stock of original part number before ordering replacement.			
A	Baffle, head 1,2,3,5,8,9,10,11,12,14, 15,18,22,24,25,26,32,34, 35,36,37,42,51,52,56,61, 62,67,68,69,99,199,200, 201,202	220605	1
	6,7,13,27,39	220331	1
	19,23,29	220654	1
	33	220810	1
	53	221101	1
	54,60	221125	1
	63,64,66,70	221266	1
	Baffle, head (Discontinued--Not Available) 4,21	220303	1
B	Baffle, cylinder ALL	220054	1
C	Screw, hex. hd. 1/4 - 20 x 7/8 34,39	X-465-1	2
D	Housing, blower 1,5,6,33,35,36,64,99,201, 202	220036	1
	2,3,7,63,200	220220	1
	4,13,14	220308	1
	8,9,23,32,60,70,199	220826	1
	12,15,27,34	220582	1
	21	220698	1
	22,37	220707	1
	24,42	220722	1

(D-CONTINUED)

29	220983	1	
39	220894	1	
52	220999	1	
53	221102	1	
54	221124	1	
56,66	221147	1	
61	221245	1	
62	221246	1	
67,68	46 027 01	1	
69	46 027 02	1	
Housing, blower (Replaced by 220826 housing)			
10	220499	1	
Housing, blower (Discontinued--not available)			
11,18,19	220562	1	
25,26	220736	1	
Housing, blower (Replaced by 220036)			
51	220944	1	
Housing, blower (Use 220220 on engine spec suffix "C" & later)			
99	220036	1	
E	Scroll 22,24,37,42	220705	1
F	Cover, Scroll 22,24,37,42	220706	1

BREATHER AND VENT 3



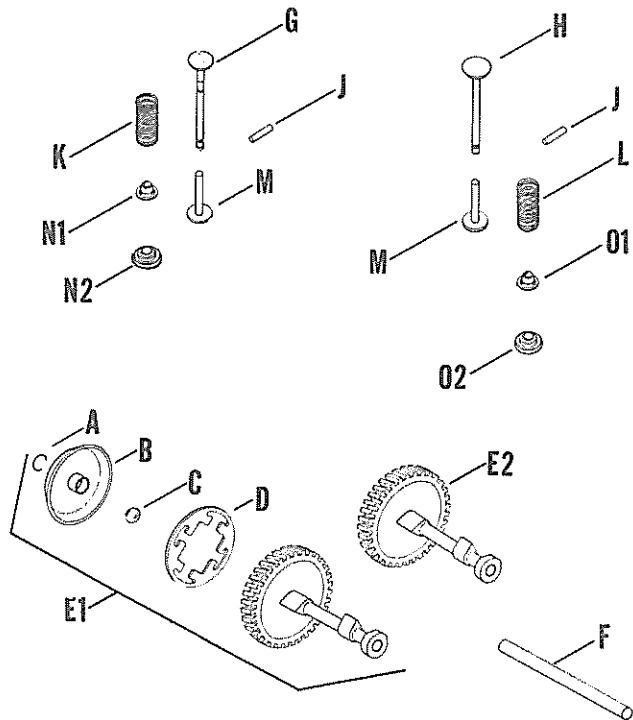
INDEX LTR.	DESCRIPTION VARIATION NUMBER	PART NUMBER	QTY.
A	Cover, valve 1,3,99	220358	1
	5,8	A-220728	1
	7	220877	1

(A-CONTINUED NEXT PAGE)

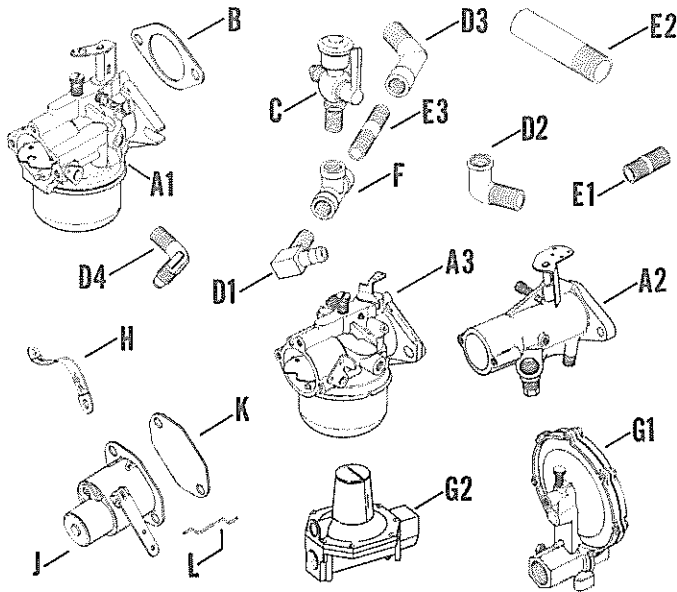
(A-CONTINUED)

	Cover, valve (Discontinued--Not Available) 2	220513	1
B	Seal, breather ALL	220369	1
C	Filter ALL	210256	1
D	Reed, breather ALL	220379	1
E	Gasket, cover ALL	220370	2
F	Plate, breather (Replacement plate not available for engines with serial no. 297316 and earlier) (Use 220066 prior to generator set serial no. 195241) A11	221250	1
G	Stud, cover (Use 220043 prior to engine serial no. 297317; generator set serial no. 195241) A11	220368	1
H	Hose, breather 5	X-484-7	1
	8	X-484-12	1

4 CAMSHAFT AND VALVES



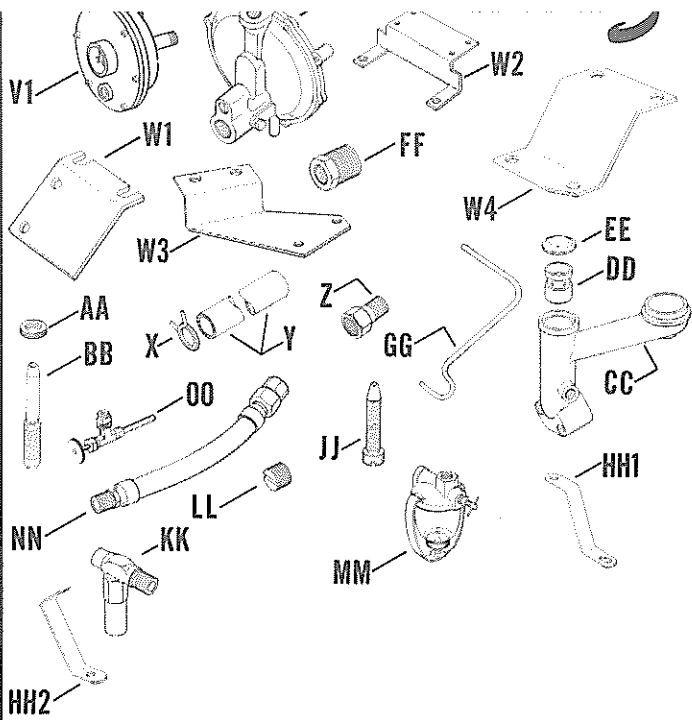
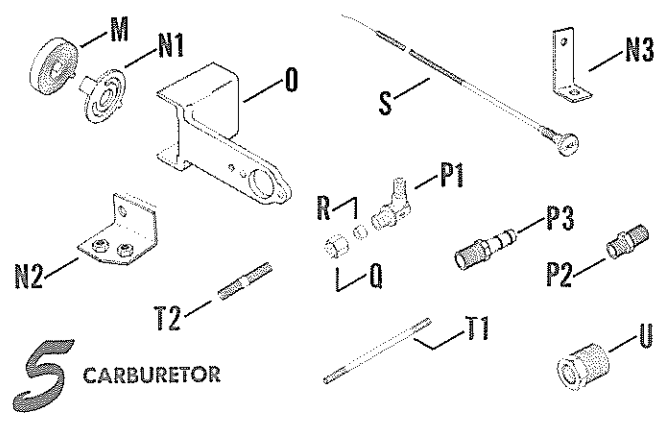
A	Ring, snap 1,2,3,4,5,6,12,98,99	220242	1
B	Bushing, thrust (Discontinued--Not Available) 1,2,3,5,6 4,12,98,99	220128 220264	1 1
C	Ball, steel 7/16 1,2,3,4,5,6,12,98,99	X-212-2	4
D	Retainer, flyball (Discontinued--Not Available) 1,2,3,4,5,6,12,98,99	220125	1
E1	Camshaft - assembly (Includes A,B,C & D) 1,2,3,5,6	A-220140	1
	Camshaft - assembly Includes A,B,C & D) 4,12,98,99	A-220262	1
E2	Camshaft 10	220116	1
F	Pin, camshaft ALL	220053	1
G	Valve, exhaust 1,2	220009	1
	Valve, exhaust (Stellite) 3,4,5,6,10,12,98,99	220096	1
H	Valve, intake 1,2,3,4,6,10,98,99	220008	1
	Valve, intake (Stellite) 5,12	220540	1
J	Pin, valve lock ALL	220052	2
K	Spring, exhaust valve 1 2,3,4,5,6,10,12,98,99	220010 220168	1 1
L	Spring, intake valve 1,2,3,10,99 4,5,6,12,98	220010 220168	1 1
M	Tappet, valve ALL	220013	2
N1	Retainer, exhaust spring 1	220011	1
N2	Rotator, exhaust valve 2,3,4,5,6,10,12,98,99	220227	1
O1	Retainer, intake spring 1,2,3,10,98,99	220011	1
O2	Rotator, intake valve 4,5,6,12	220227	1



INDEX LTR.	DESCRIPTION VARIATION NUMBER	PART NUMBER	QTY.
Use stock of original part number before ordering replacement.			
A1	Carburetor - assem. 3,4,7,8,11,17,18,20,21,22, 23,34,36,46,49,53,56,59, 63,64,66,72,73,74,95	G-220517	1
	5,52,57,67,70	D-220451	1
	6,9,10,24,25	F-230501	1
	12	A-220574	1
	26,30,33,41,45,58	A-220745	1
	37,38	C-220777	1
	Carburetor - assembly (Replaced by G-220517) 31,42,43,47	F-220762	1
	Carburetor - assembly (Discontinued--Not Available) 199	A-230246	1
	200,201	A-230444	1
A2	Carburetor - assem. 13,14,32,50	A-220565	1
	Carburetor - assembly (Discontinued--Not Available) 40	A-220806	1
A3	Carburetor - assembly 71	46 053 03	1
B	Gasket, carburetor ALL (except 36,43,199,200, 201)	210223	1
	36,43	210223	2

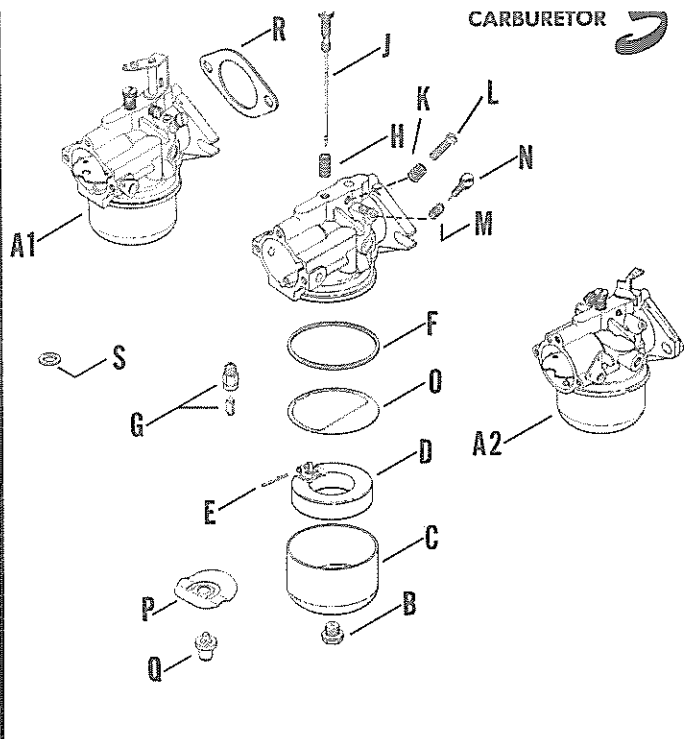
C	Cup 5,52	X-376	1
D1	Connector, hose 90° 3,4,5,6,26,30,34,42,45,49, 52,57,63,64,67	X-391-1	1
	72	25 155 02	
D2	Elbow, street 90° 5	X-211-10	1
	8,9,10,25,33,201	S-404	1
	13,32	X-211-6	2
	14	X-211-6	1
	Elbow 90° (Replaced by X-211-10) 41	AC-1457	1
D3	Elbow, street 45° 25,33	X-274-9	1
	32	X-274-3	1
	52	X-274-8	1
	56	X-274-4	1
D4	Elbow, flared 90° 53	X-447-10	1
E1	Nipple 1/8 I.P. x 3/4 5	X-217-11	1
	21,56,200	X-217-6	1
E2	Nipple 3/8 I.P. x 1 8,9,10,23,24,30,49,64	X-227-1	1
	Nipple 1/4 I.P. x 1-1/4 13,32	D-2158	2
	Nipple 1/4 I.P. x 1 14	X-226-2	2
E3	Nipple 1/8 I.P. x 1 52	X-217-7	1
	Nipple 1/8 I.P. x 2-3/4 67	X-217-10	1
F	Tee 5,52	X-203-10	1
G1	Regulator 8,9,10,201	A-240492	1
G2	Regulator, primary 13,32	A-220579	1
H	Lead, ground (Replaced by 230857) 26,30,33,41,45,58	A-230857	1
J	Choke 26,30,33,41,45,58	230426	1
K	Plate, choke 26,30,33,41,45,58	275278	1
L	Linkage 26,30,33,41,45,58	220746	1
	199,200,201	220078	1

INDEX LTR.	DESCRIPTION	VARIATION NUMBER	PART NUMBER	QTY.
M	Spring, thermostat (Replaced by 45 089 01) 6,9,10,24,25,200,201		210067	1
N1	Bracket, choke 6,9,10,24,25		230123	1
N2	Bracket, choke 12,37		220592	1
N3	Bracket, choke 31,42,43,47		220761	1
O	Housing, thermostat 6,9,10,24,25,200,201		230242	1
P1	Elbow, compression 90° 7,9,10,21,56,59,74,199,200		231510	1
	Elbow, compression 45° 22,46		231668	1
	Elbow, compression 45° (Use X-391-1 on spec suffix "C" & later) 95		231668	1
P2	Connector 12,20		X-296-1	1
	Connector, compression 17,66		231509	1
P3	Connector, hose 18,23,31,47,58,67,70,71,73	X-380-1		1
Q	Nut 7,9,10,21,22,46,56,59,74, 95,199,200		220786	1
R	Sleeve 7,9,10,21,22,46,56,59,74, 95,199,200		220547	1
S	Cable, choke 12,37		240876-1	1
T1	Stud 1/4-20x6-3/8 23		200186	1
	Stud 1/4-20x5-7/8 30,33,49,64		220772	1
T2	Stud, carburetor 1-7/8 36,43		220133	2
U	Bushing, reducer 3/8 - 1/4 13,14,32	X-202-30		1



INDEX LTR.	DESCRIPTION	VARIATION NUMBER	PART NUMBER	QTY.
V1	Regulator, secondary 13,32		B-220578	1
V2	Regulator 14,23,24,25,30,33,49,64		B-230695	1
W1	Bracket, regulator 8,9,10,201		220271	1
W2	Bracket, regulator 13,32		220590	1
W3	Bracket, regulator 14,24,25		220572	1
W4	Bracket, regulator 23,30,33,49,64		220733	1
X	Clamp, hose (Replaced by X-426-3) 8,9,10,23,24,30,49,64		X-309-3	2
	Clamp, hose (Replaced by X-426-3) 13,14,32		X-309-11	2
Y	Hose 5/8 I.D. x 9 8,9,10		X-312-6	1
	Hose 1/2 I.D. x 5 13,32		X-422-4	1
	Hose 1/2 I.D. x 1-3/4 14		X-422-2	1
	Hose 5/8 I.D. x 5 23,24		X-423-6	1
	Hose 5/8 I.D. x 3-1/2 30,49,64		X-423-1	1
Z	Filter, regulator 14,24,25		151377	2

LTR.	VARIATION NUMBER	NUMBER	QTY.
AA	Nozzle, gas 8,9,10,23,24,25,201	210092	1
BB	Nut, adjusting 8,9,10,23,24,25,201	150284	1
CC	Mixer, gas 23	220662	1
		30,33,49,64	220735
DD	Venturi 30,33,49	230471	1
		64	220886
EE	Plug, expansion 30,33,49,64	X-230-16	1
		64	X-230-14
FF	Bushing, reducer (Replaced by X-202-31) 8,9,10,201	155008	1
GG	Line, vent 10	X-294-2	1
HH1	Brace, regulator 23,30,33,49,64	220734	1
HH2	Brace, regulator 25	220739	1
JJ	Valve, needle 8,9,10,23,24,25,30,33,49, 64,201	150305	1
KK	Body, valve 8,9,10,23,24,30,49,64	220482	1
		25,33,201	153796
LL	Plug, pipe 1/8 8,9,10,24,25	X-75-12	1
		201	X-75-12
MM	Filter, fuel (Refer to Index Letter A1, Group 15 for assembly details- Grid C2) 21,56	A-210101	1
NN	Line, fuel 25,33	210094-2	1
OO	Valve 10	210392-1	1



INDEX LTR.	DESCRIPTION VARIATION NUMBER	PART NUMBER	QTY.
	Use stock of original part number before ordering replacement.		
A1	Carburetor - assembly (Includes B thru O) 3,4,7,8,11,17,18,20,21,22, 23,34,36,46,49,53,56,59,63, 64,66,72,73,74,95	G-220517	1
	5,52,57,67	D-220451	1
	6,9,10,24,25	F-230501	1
	12	A-220574	1
	26,30,33,41,45,58	A-220745	1
	37,38	C-220777	1
	Carburetor - assembly (Includes B thru O) (Replaced by G-220517) 31,42,43,47	F-220762	1
	Carburetor - assembly (Includes B thru O & R) 199	A-230246	1
	Carburetor - assembly (Includes B thru O, R & S) 200,201	A-230444	1
A2	Carburetor - assembly (Includes B thru Q) 71	46 053 03	1
B	Screw, bowl retainer A11	200420	1
C	Bowl ALL (except 5,13,14,32,40, 50,52,57,67,70,71,199)	200418	1

(C-CONTINUED NEXT PAGE)

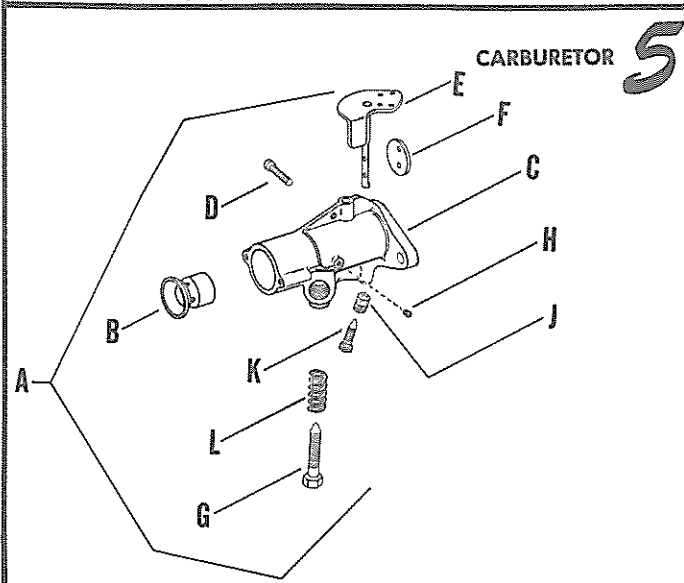
(C-CONTINUED)

	5,52,57,67,71	200435	1
	199	200404	1
D	Float ALL	200408	1
E	Pin, float hinge ALL	200376	1
F	Gasket, fuel bowl ALL	200375	1
G	Needle and seat (Replaced by 231555 Kit) (For other variations see Index Letter R) 3,4,5,6,7,8,9,10,11,12,13, 14,17,18,20,21,22,23,24,25, 26,30,31,32,33,34,36,37,38, 40,41,42,43,45,46,47,49,50, 52,53,56,57,58,59,63,64,66, 67,70,95	200443	1
	199,200,201	200407	1
H	Spring, hi-speed adjusting needle ALL	200383	1
J	Needle, main fuel adjusting ALL (except 5,13,14,32,40,50, 52,57,67,70,199)	200410	1
	5,52,57,67,199	200409	1
K	Spring, idle speed ALL	232555	1
L	Screw, idle speed adj. ALL	232556	1
M	Spring, idle fuel adjusting needle ALL	200380	1
N	Needle, idle fuel adjusting ALL (except 5,6,13,14,26,32, 40,50,52,57,67,70,71,200, 201)	200438	1
	5,6,26,52,57,67,71,200,201	275231	1
O	Gasket, bowl baffle ALL	200439	1
P	Spring, bowl drain 5,52,57,67	236319	1
	71	200428	1
Q	Plug, drain 5,52,57,67,71	200434	1
R	Gasket, carburetor 199,200,201	210223	1
S	Gasket, bowl retainer screw 200,201	200372	1
	Repair kit, carburetor 3,4,5,6,7,11,12,17,18,20, 22,26,31,34,36,37,38,42, 43,46,47,52,53,57,59,63, 66,71,95	231555	1

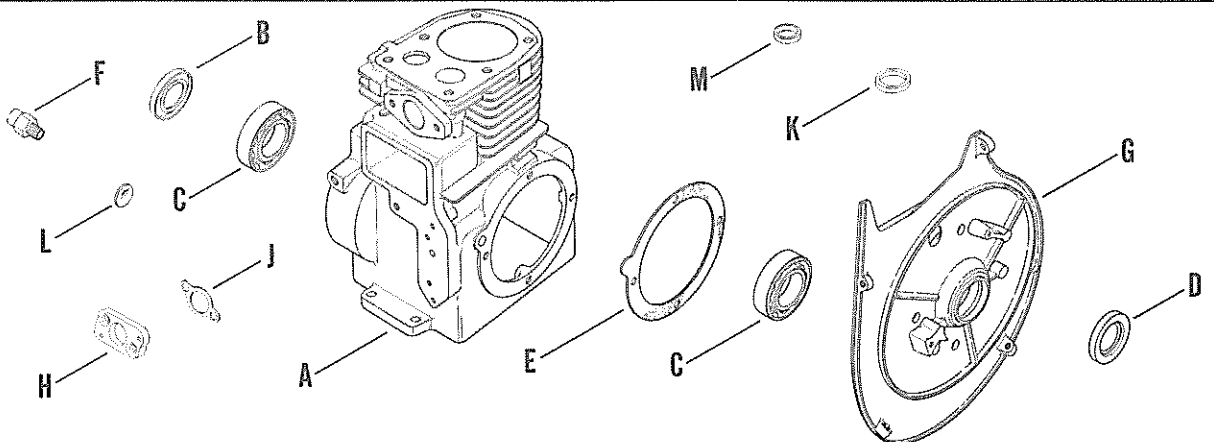
Repair kit, carburetor
(Includes bowl retainer screw
gasket, bowl ring gasket,
bowl baffle gasket, needle
and seat gasket and float
pin, needle valve, needle
and seat body)
3,4,5,6,7,11,12,17,18,20,
22,26,31,34,36,37,38,42,
43,46,47,52,53,57,59,63,
66,71,95

231555

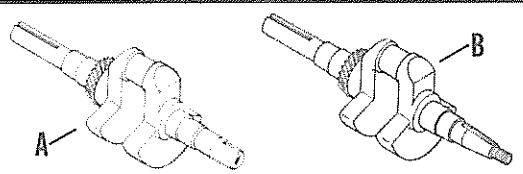
1



INDEX LTR.	DESCRIPTION VARIATION NUMBER	PART NUMBER	QTY.
A	Carburetor - assembly (Includes B thru L) 13,14,32,50	A-220565	1
B	Venturi (Discontinued--Not Available) 13,14,32,50	221135	1
C	Body (Discontinued--Not Available) 13,14,32,50	234203	1
D	Screw, idle stop adjusting 13,14,32,50	234210	1
E	Shaft, throttle (Discontinued--Not Available) 13,14,32,50	234205	1
F	Plate, throttle (Discontinued--Not Available) 13,14,32,50	234204	1
G	Screw, load 13,14,32,50	232694	1
H	Screw, Venturi set 13,14,32,50	234211	1
J	Spring, idle screw 13,14,32,50	234208	2
K	Screw, idle 13,14,32,50	234206	1
L	Spring, load screw 13,14,32,50	234207	1



INDEX LTR.	DESCRIPTION VARIATION NUMBER	PART NUMBER	QTY.	INDEX LTR.	DESCRIPTION VARIATION NUMBER	PART NUMBER	QTY.
	Use stock of original part number before ordering replacement.						
A	Block, cylinder - assembly (Includes L & M) 1,11,22	A-220460	1	E	Gasket, bearing plate 1,3,4,5,7,9,10,11,13,16, 17,18,19,20,21,22,98,99	220071	1
	10,15,16	A-220600	1		1,2,5,12,15,19,20,22,24	220112	A.R.
	18,20	A-220969	1	F	Adapter, pump 12	220639	1
	19	A-220965	1	G	Plate, bearing (Use 220160 prior to engine serial no. 286901; genera- tor set serial no. 191458) 1,2,3,4,5,10,12,15,18, 19,20,22,98,99	220385	1
	Block, cylinder - assembly (Includes K,L & M) 2,5,9,12,24	A-220967	1		Plate, bearing 7,13,17,21,24	220799	1
	7,13	A-220971	1		9,16	220591	1
	17	A-220919	1		Plate, bearing 11	220420	1
	21	A-221132	1	H	Adapter, carburetor (Used prior to engine serial no. 281623; generator set serial no. 180044) 1,2,3,4,5,9,10,11,15	220138	1
	Block, cylinder - assembly (Includes L & M) (Discontinued--Not Available) 3	A-220496	1	J	Gasket, adapter (Used prior to engine serial no. 281623; generator set serial no. 180044) 1,2,3,4,5,9,10,11,15	220141	1
	4	A-220510	1	K	Insert, intake valve seat 2,5,9,12,24,98,99	240008	1
	Block, cylinder (kit) (Includes K,L & M) 98,99	A-220190	1		7,13,17,21	220549	1
B	Seal, rear oil 1,2,3,4,5,9,10,11,12,15, 16,18,19,20,22,98,99	X-271-16	1	L	Plug, weich ALL	X-230-1	1
	7,13,17,21,24	X-271-29	1	M	Insert, exhaust valve seat 1,2,3,4,5,7,9,10,11,12,13, 15,16,17,18,19,20,21,22,24, 98,99	220139	1
C	Bearing, ball ALL	X-238-2	2				
D	Seal, front oil 1,2,3,4,5,9,10,11,12,15, 16,18,19,20,22,98,99	X-271-15	1				
	7,13,17,21,24	X-271-28	1				

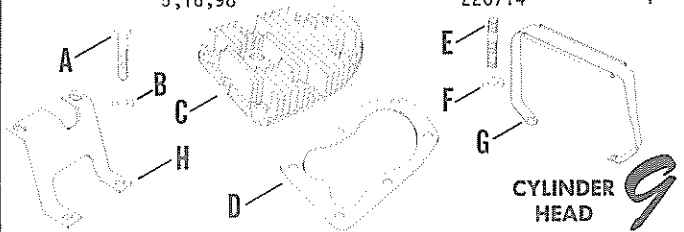


INDEX LTR.	DESCRIPTION VARIATION NUMBER	PART NUMBER	QTY.
------------	------------------------------	-------------	------

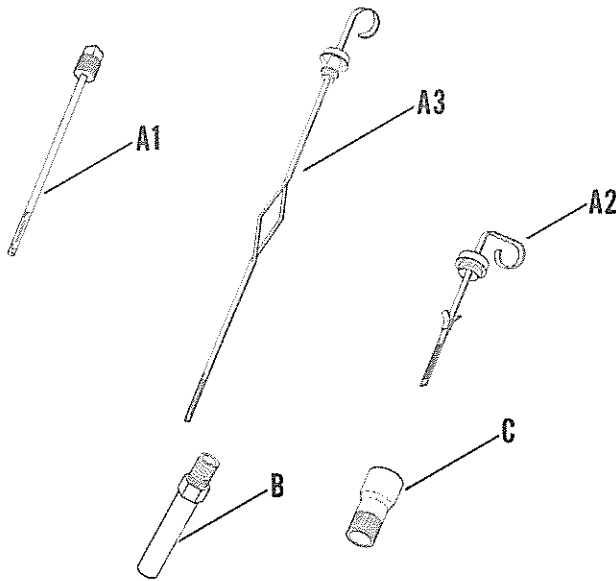
INDEX LTR.	DESCRIPTION VARIATION NUMBER	PART NUMBER	QTY.
Use stock of original part number before ordering replacement.			
A	Crankshaft (Use 46 014 21 after serial no. 11234797) 1,19	46 755 06*	1
	Crankshaft (Use 46 014 21 after serial no. 11189403) 2,21,32	46 755 06* ①	1
B	Crankshaft 3	46 142 18* ②	1
	4	46 142 09* ③	1
	5	46 142 02*	1
	6,10	46 142 13	1
	8	46 142 05	1
	11	46 142 12 ③	1
	14	46 142 08	1
	16	220372	1
	18	220638	1
	26	46 142 14	1
	35	46 142 15	1
	36	46 142 16	1
	38	46 142 17	1
	40	46 142 06	1
	41	46 142 07	1
	Crankshaft (Discontinued--Not Available) 9	220120	1
	15	220282	1
	99	220221	1
	Crankshaft (Use on generator sets after serial no. 191457) 13,98	46 142 04# ④	1

- ① Standard-Tapped
- ② Gear Reduction
- ③ Pump
- ④ Generator Set

INDEX LTR.	DESCRIPTION VARIATION NUMBER	PART NUMBER	QTY.
A	Screw, hex. hd. 5/16 - 18 x 1-1/4 1,7,9,11,17,97	220257	6
	2,13,25	220257	3
	4,5,6,10,12,14,16,21	220257	4
	15,22,98	220257	5
	23,99	220257	2
	Screw, hex. hd. 5/16 - 18 x 1-1/2 3	230175	6
	5,6,14,16	230175	2
	15,22,98	230175	1
B	Washer 5/16 1,2,3,6,7,9,14,15,17,22,25	220534	6
	4,5	220534	7
	10,12,16,21,99	220534	8
	11	220534	4
	13	220534	9
	23	220534	10
C	Head, cylinder 1,2,4,5,6,9,10,11,13,14,15, 16,23,25,97,98,99	220541	1
	3	220448	1
	7,12	A-220637	1
	17,21,22	A-220796	1
D	Gasket, head ALL	220124	1
E	Stud, head 2-1/2 2,13	220304	3
	4,10,12,21	220304	2
	23	220304	4
	25	X-352-35	2
	Stud, head 3 24	232810	4
F	Spacer, stud 2,25	220305	2
	4	220305	1
G	Handle, carrying 6,14	A-220193	1
H	Bracket, handle 5,16,98	220714	1



*Crankshaft not available for engines prior to serial no. 288901.
 #Crankshaft not available for generator sets prior to serial no. 191458.



INDEX LTR.	DESCRIPTION VARIATION NUMBER	PART NUMBER	QTY.
------------	------------------------------	-------------	------

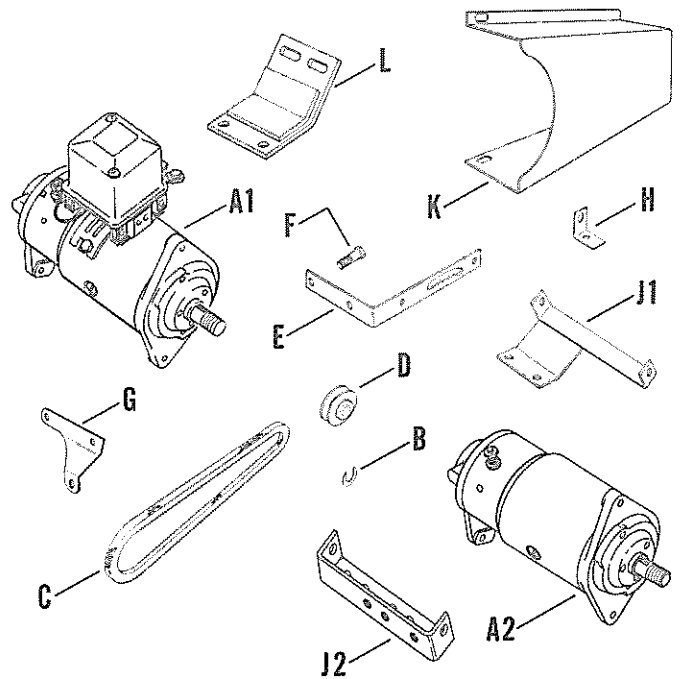
Use stock of original part number before ordering replacement.

A1	Dipstick 1,99	220092	1
A2	Dipstick 6 7/32" 2	221274	1
A3	Dipstick 9 29/32" 3	A-220835	1
B	Tube, oil fill (Replaced by 234975) 3	A-231504	1
C	Adapter, dipstick 1-7/8" 2	221264	1

11 ELECTRIC START

INDEX LTR.	DESCRIPTION VARIATION NUMBER	PART NUMBER	QTY.
------------	------------------------------	-------------	------

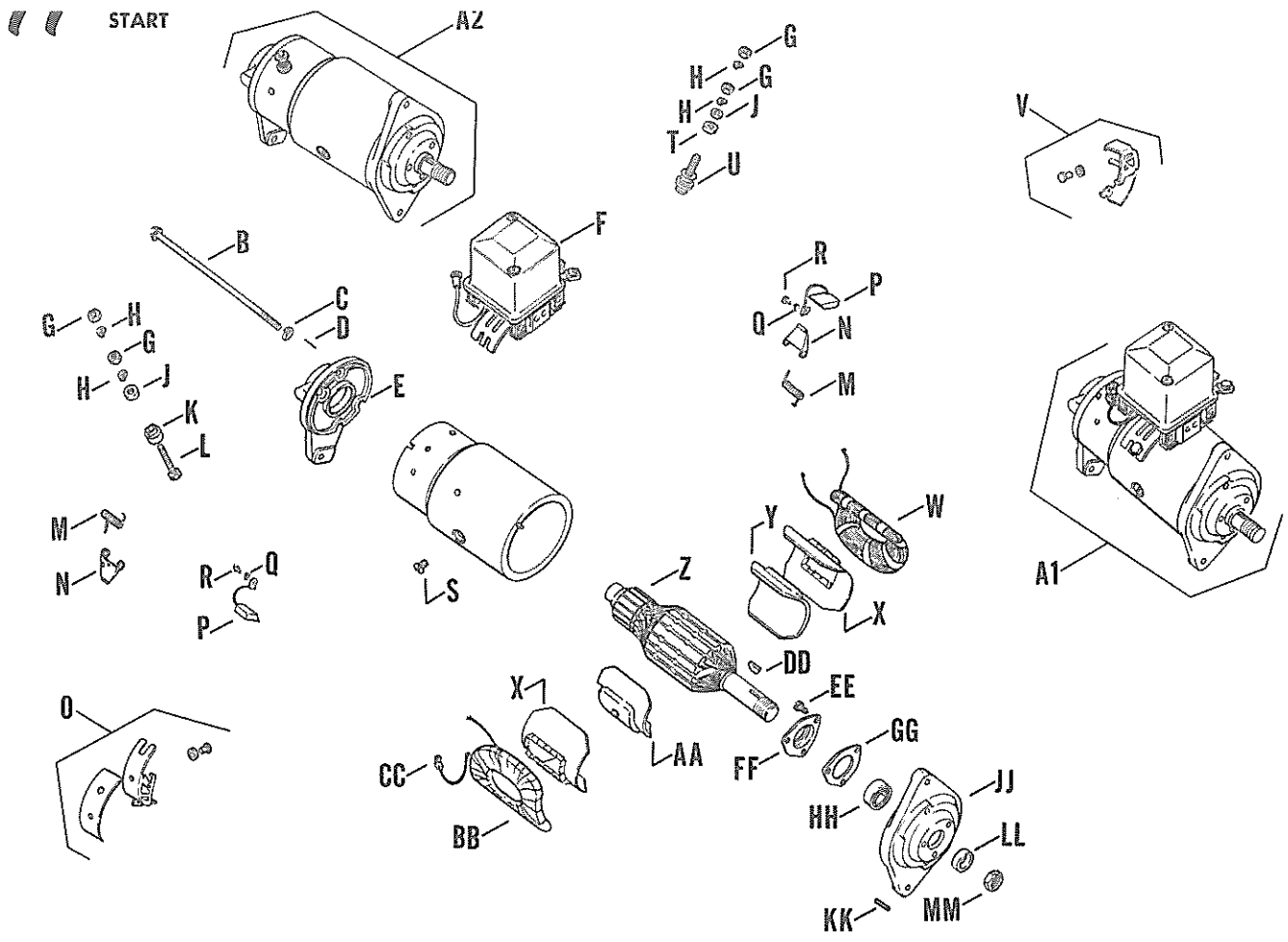
A1	Motor, generator - assem. (Includes regulator) (Grid B13) 2,4,7,18,22,23,25,27	B-230715	1
A2	Motor, generator - assem. (Grid B13) 5 8,19,26	B-220586 B-230922	1 1
B	Shim 19,23	236397	A.R.
C	Belt, starter 2,5,8,18,19,23,25,26,27 4,7,22	230721 220645	1 1



INDEX LTR.	DESCRIPTION VARIATION NUMBER	PART NUMBER	QTY.
------------	------------------------------	-------------	------

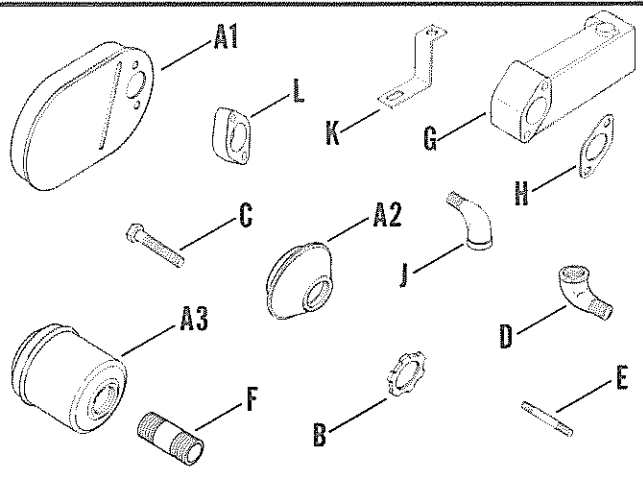
D	Pulley, starter ALL	230729	1
E	Support, starter upper 2,5,8,18,19,23,25,26,27,29	220581 220646	1 1
F	Screw, hex. hd. 1/4 - 20 x 7/8 2,4,5,7,8,18,25,26,27 19,22,23	X-465-1 X-465-1	1 3
G	Bracket, generator 4,7,8,18,19,22,23,27,29	220648	1
H	Bracket, belt guard 2,4,5,7,8,18,22,23,26,27	220583	1
J1	Bracket, starter lower 2,4,5,7,8,18,29	A-220580	1
	Bracket, starter lower (Replaced by 221518) 25,27	220910	1
J2	Bracket, starter lower 19,22,23,26	221239	1
K	Guard, belt 2,5,8,23,26,27 4 18	220584 220647 220824	1 1 1
L	Brace 19,22,23,26	221238	1

START



INDEX LTR.	DESCRIPTION VARIATION NUMBER	PART NUMBER	QTY.	INDEX LTR.	DESCRIPTION VARIATION NUMBER	PART NUMBER	QTY.
<p><i>ALL includes variations 2, 4, 5, 7, 8, 18, 19, 22, 23, 25, 26, 27.</i></p>				G	Nut, terminal ALL (except 5)	X-81-7	4
A1	Motor, generator - assembly (Includes regulator) 2, 4, 7, 18, 22, 23, 25, 27	B-230715	1	5		X-81-7	2
A2	Motor, generator - assembly 5 8, 19, 26	B-220586 B-230922	1 1	H	Washer, split - terminal stud ALL (except 5) 5	272320 272320	4 2
B	Bolt, thru ALL (except 5) 5	272329 272329	2 1	J	Washer, flat - terminal (Discontinued--Not Available) ALL (except 5) 5	272319 272319	2 1
C	Washer, split - thru bolt ALL	272330	2	K	Bushing, insul. terminal "A" ALL	232861	1
D	Pin, dowel C.E. ALL	275993	1	L	Stud, terminal "A" All (except 18)	275972	1
E	Frame, commutator end ALL	230812	1	M	Spring, brush ALL	285652	2
F	Regulator 2, 4, 7, 18, 22, 23, 25, 27	275746	1				

N	Arm, brush ALL (except 5)	272325	2	Z	Armature ALL	230809	1
	5	272325	1	AA	Shoe, pole plain (Discontinued--Not Available) ALL (except 5)	275016	1
O	Holder, insul. brush ALL	231307	1	BB	Coil, field L.H. ALL (except 5)	234416	1
P	Brush ALL	275741	2	CC	Clip, terminal to brush ALL (except 5)	275987	1
Q	Washer, split - brush lead 2,4,5,7,18,22,23,25,27	X-18-1	2	DD	Key, woodruff ALL	X-43-3	1
R	Screw, brush lead 2,4,5,7,18,22,23,25,27	X-49-1	2	EE	Screw, bearing retainer ALL	275981	3
	Screw, brush lead 5,8,19,26	X-49-25	2	FF	Plate, retainer D.E. ALL	275976	1
	Screw, brush lead 8,19,26	X-49-1	2	GG	Gasket, bearing retainer ALL	231312	1
S	Screw, pole shoe ALL	275984	2	HH	Bearing, drive end ALL	270311	1
T	Washer, insul. - terminal ALL	275985	1	JJ	Frame D.E. ALL	275924	1
U	Stud, terminal "F" ALL (except 5)	232862	1	KK	Pin, dowel D.E. ALL	275994	1
V	Holder, ground brush ALL	231306	1	LL	Collar, space D.E. 2,4,5,7,18,22,23,25,27 8,19,26	275988 275017	1 1
W	Coil, field R.H. ALL (except 5)	230810	1	MM	Nut, shaft D.E. ALL	271267	1
	5	230811	1				
X	Insulator, field coil ALL	234288	1				
Y	Shoe, pole notched ALL (except 5)	272317	1				
	5	272317	2				

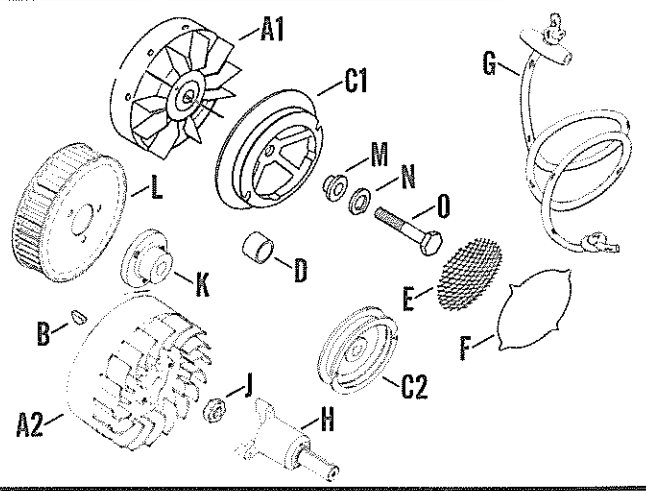


INDEX LTR.	DESCRIPTION VARIATION NUMBER	PART NUMBER	QTY.
A1	Muffler 1,7,25,26,98,99	220145	1
	2,28	220299	1
A2	Muffler 4,8,12,14,18,22,96	214045	1
A3	Muffler 9,17,27	220521	1
B	Nut, lock 3/4 12,37	X-427-1	1
	17	X-427-1	2
C	Screw, hex. hd. 1/4 - 20 x 1-1/2 26,28	X-465-3	2
D	Elbow, street (Special) 14,37	220407	1
E	Stud 1-7/8 1,2,3,4,5,6,14,23,27,35, 92,93,94,95,96,97,99	220133	2
	7	220133	1
	Stud 1-5/8 22	220743	2
	Stud 2-5/8 25,29,34,98	220818	2
F	Nipple 3/4 x 2-1/2 4,14	X-206-4	1
	Nipple 3/4 x 2 6,17,18,22,92,96	X-206-2	1
	Nipple 3/4 x 1-3/8 8,9,12,27	X-206-9	1
G	Elbow, exhaust 3,6,14,29,96	220287	1
	4,27,35	220162	1
	7	220313	1

(G-CONTINUED)

	22	220576	1
	23	220747	1
	Elbow, exhaust (Use 220162 on spec suffix "C" & later) 92,93,94,95,97	220287	1
H	Gasket, muffler 1,2,3,4,6,14,22,23,26,27, 28,29,35,92,93,94,95,96,99	220122	1
	7,25,98	220122	2
J	Elbow, street 45° 12	X-274-2	1
	17	SA-472	1
K	Brace, elbow 3,6,7,14,92,93,94,96,97	220288	1
	4	220249	1
	22	220577	1
	23	220748	1
	Brace, elbow (Discontinued--Not Available) 29	220946	1
L	Spacer, muffler 25,29,98	220819	1

FLYWHEEL **13**



INDEX LTR.	DESCRIPTION VARIATION NUMBER	PART NUMBER	QTY.
A1	Use stock of original part number before ordering replacement.		
A1	Flywheel (Replaced by B-220636) (Use 220088 prior to engine serial no. 286901; generator set serial no. 191458) 3,98	A-220388	1

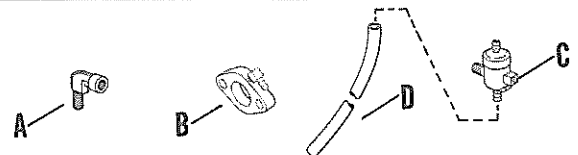
(A1-CONTINUED NEXT PAGE)

(A1-CONTINUED)

	Flywheel (Use 220088 prior to engine serial no. 286901; generator set serial no. 191458) 8,9,10,13,16,17,19,20,22, 38,41,99	46 025 01	1
	Flywheel 21	B-220703	1
	25,26	B-220782	1
	34	B-221128	1
A2	Flywheel 11	B-220668	1
	Flywheel (Replaced by 46 025 04) (Use 221134 prior to engine serial no. 286901) 12,24,27,29,30,31,32,33, 35,36,42	B-220666	1
	Flywheel (use 220364 prior to engine serial no. 286901) 28	B-220666	1
B	Key, woodruff #5 3,8,9,10,11,12,13,16,17, 19,20,22,24,25,26,27,28, 29,30,31,32,33,35,36,44, 98,99	X-43-3	1
	21,99	X-43-2	1
	Key, woodruff #2 21	X-42-3	1
	Key, woodruff #3 38,41,42	X-43-1	1
C1	Pulley, starter 3,8,9,10,12,13,16,20,26, 28,41,98,99	220150	1
	11	220275	1
	17,22,24,27,29,30,32,33, 34,36,42	220585	1
C2	Pulley, starter 21	230498	1
D	Spacer, screen 11	220277	1
E	Screen, grass 3,10	220375	1
	8,11,12,16,20,26,41,98	220098	1
	17,27,33,34	230098	1
	24,29,42	230344	1
	Screen, grass (use 220311 prior to engine serial no. 275926) 28	220375	1
F	Retainer, screen 3,8,10,12,16,20,26,28,41, 98	220113	1
	17,24,27,29,33,34,42	230363	1
G	Rope, starter ALL	A-220090	1

H	Shaft, front drive 21	230588	1
	24,30,31,36	231249	1
	28	220365	1
	29	230531	1
J	Nut, flywheel 7/16 - 20 ALL (except 38,41)	X-119-9	1
K	Support, blower 21	230589	1
L	Blower 21	220708	1
M	Washer, pilot 38,41,42	46 468 02	1
N	Washer, lock 5/16 38,41,42	X-21-1	1
O	Screw, hex head 5/16-18x1 (Grade 5 hardness) 38,41,42	X-125-5	1

FUEL PUMP 14

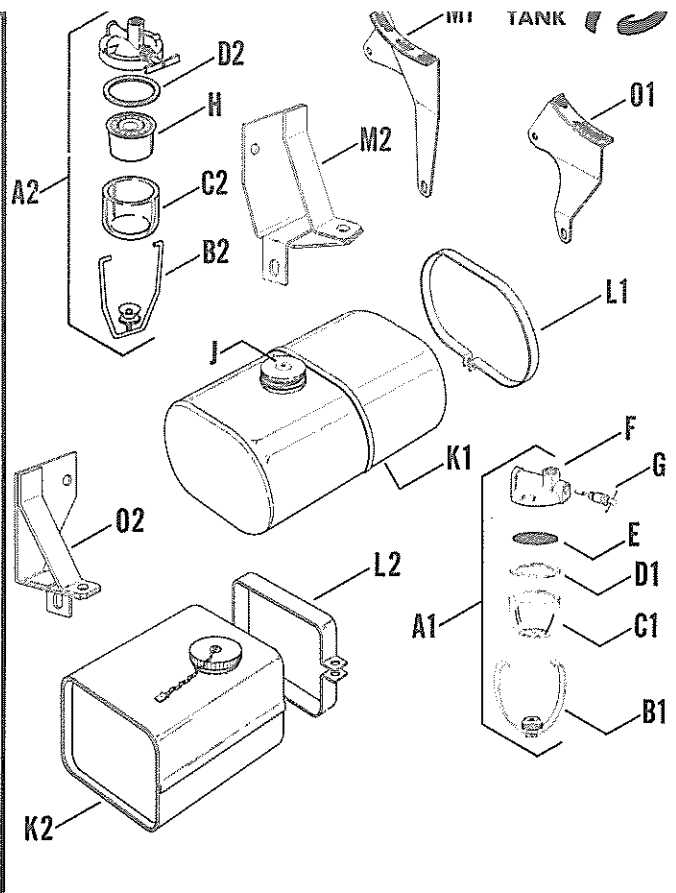


INDEX LTR.	DESCRIPTION VARIATION NUMBER	PART NUMBER	QTY.
A	Elbow, street 1	X-274-8	1
B	Adapter, flange 1	A-220893	1
C	Pump, vacuum fuel 1	220784	1
D	Hose, vacuum 1-13/16 1	X-386-23	1

FUEL TANK 15

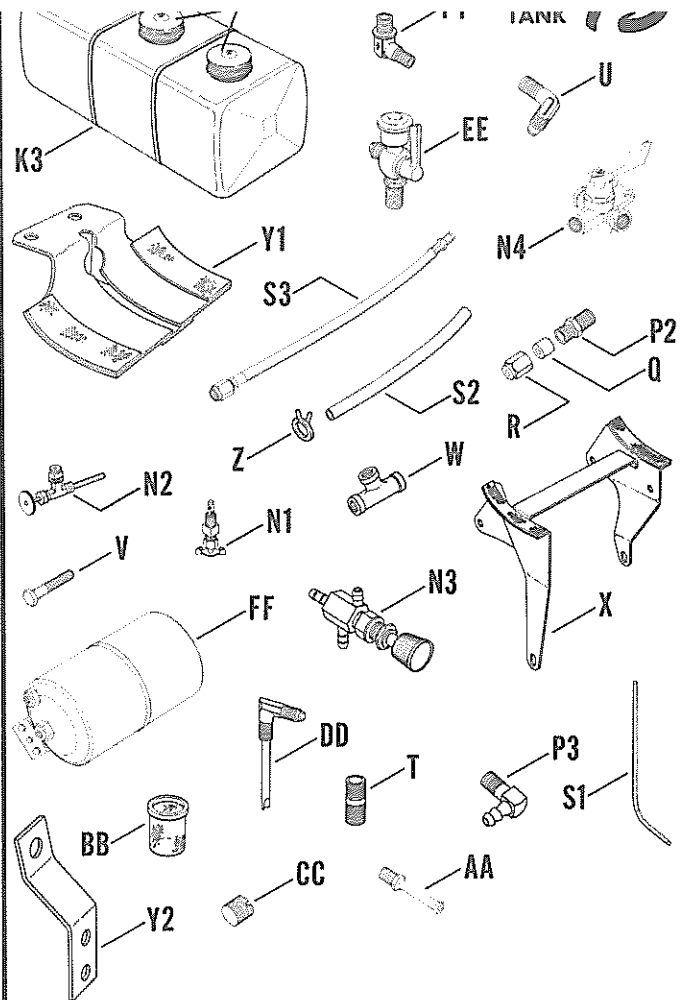
INDEX LTR.	DESCRIPTION VARIATION NUMBER	PART NUMBER	QTY.
Use stock of original part number before ordering replacement.			
A1	Filter, fuel - assembly (Use prior to engine serial no. D-345669) (Includes B1,C1,D1,E F & G) 3,7,8,10,11,12,13,15,27, 38,44,46,48,51,199,200	A-210101	1
A2	Filter, fuel - assembly (Includes B2,C2,D2, & H) 21,25,35,52	A-220805	1
B1	Bail (Use prior to engine serial no. D-345669) 3,7,8,10,11,12,13,15,27, 38,44,46,48,51,199,200	A-210477	1

B2	Bail (Discontinued--Not Available) 21,25,35,52	221138	1
C1	Bowl, glass (Use prior to engine serial no. D-345669) 3,7,8,10,11,12,13,15,27, 38,44,46,48,51,199,200	210467	1
C2	Bowl, glass 21,25,35,52	220879	1
D1	Gasket, bowl (Use prior to engine serial no. D-345669) 3,7,8,10,11,12,13,15,27, 38,44,46,48,51,199,200	210468	1
D2	Gasket, bowl 21,25,35,52	220881	1
E	Screen (Use prior to engine serial no. D-345669) 3,7,8,10,11,12,13,15,27, 38,44,46,48,51,199,200	210479	1
F	Top, filter (Use prior to engine serial no. D-345669) 3,7,8,10,11,12,13,15,27, 38,44,46,48,51,199,200	210478	1
G	Valve, needle (Use prior to engine serial no. D-345669) 3,7,8,10,11,12,13,15,27, 38,44,46,48,51,199,200	A-210480	1
H	Element, strainer 21,25,35,52	220880	1
J	Cap, tank 3,7,8,10,11,12,13,14,19, 20,29,30,44,46,51,52,53, 55,58,59,199	236655	1
	15,27,48,200,201	220956	1
	61,200	236655	2
K1	Tank, fuel (1 gallon) (Includes cap) 3,8,11,19,20,27,46,55,62	220164	1
	Tank, fuel (2/3 gallon) (Includes cap) 7,10,12,13,14,15,29,30, 44,51,52,53,59,199,200	220153	1
	38	A-220852	1
	Tank, fuel (1 gallon) 35	220527	1
	Tank, fuel (1-1/4 gallons) 48,58	230164	1
K2	Tank, fuel (2 gallons) 21,25	220651	1
K3	Tank, fuel (Gas/kerosene) (Includes caps) 61,64,200	46 065 01	1



INDEX LTR.	DESCRIPTION VARIATION NUMBER	PART NUMBER	QTY.
L1	Strap, tank 3,8,11,19,20,35,46,55,62	A-234167	2
	7,10,12,13,14,15,29,30,38, 44,51,52,53,59,61,64,200	A-221197	2
	27,48,58	A-234167	2
L2	Strap, tank 21,25	A-221199	2
M1	Bracket, tank (L.H.) (Replaced by A-221254) 3,12,13,14,20,27,30 38,44,46,51,52,199, 200	A-221211	2
M2	Bracket, tank (R.H.) 37	220808	1
N1	Valve, fuel 3,7,8,10,11,12,13,14,15, 29,38,44,46,51,53,58,59, 62	220764	1
	61,64,200	220764	2

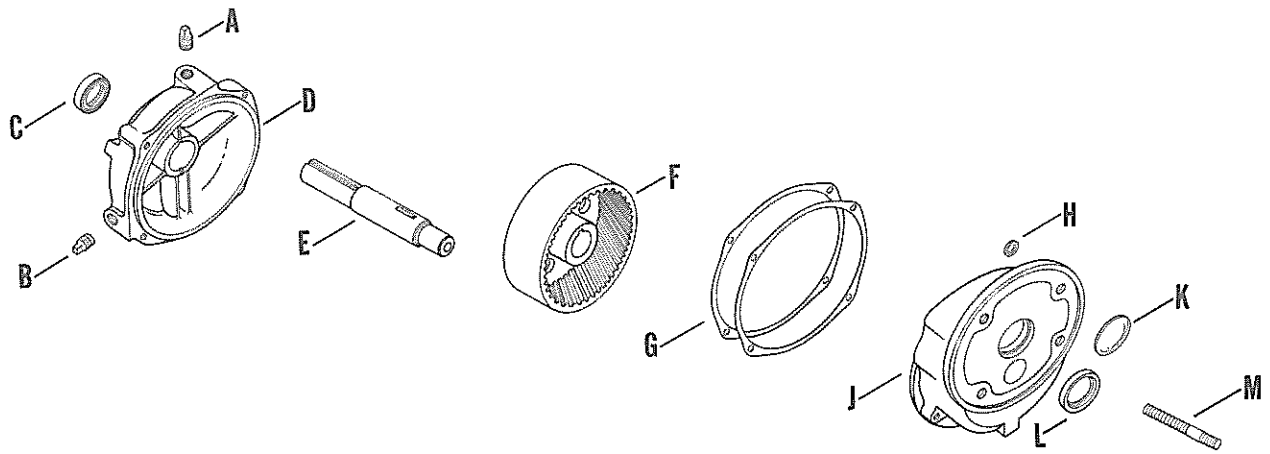
N2	Valve, fuel 19,30	210392-1	1
N3	Valve, fuel 64	46 462 02	1
N4	Valve, fuel (Use on spec suffix "A" only) 200	46 462 01	1
01	Bracket, tank (R.H.) (Replaced by A-221254) 3,12,13,14,20,27,30, 38,44,46 51,52,199, 200	A-221201	1
02	Bracket, tank (L.H.) 37	220809	1
P1	Connector 3,13	231510	1
P2	Connector 7 21	231509 X-296-1	1 1
P3	Connector (Use between serial no. A-180267 and serial no. D-345669) (Use 220547,220786 and 231510 prior to serial no. A-180267) 8,10,11,12,38,44,46,51,52	X-391-1	1
Q	Sleeve 3,7,13	220547	1
R	Nut 3,7,13,38	220786	1
S1	Line, fuel 4-1/4 steel (Discontinued--Not Available) (Use prior to engine serial no. D-345669) 3	220539	1
	Line, fuel 9-5/8 copper (Use prior to engine serial no. D-345669) 7	220493	1
	Line, fuel 10-1/4 copper (Discontinued--Not Available) (Use prior to engine serial no. D-345669) 13	220497	1
	Line, fuel 16 copper 19	220629	1
	Line, fuel 8-1/2 copper (Replaced by A-220655) 21,25	220655	1
	Line, fuel 4-9/16 steel 30,199,200	220097	1
	Line, fuel 5-5/8 steel (Replaced by 220807) 35	A-220807	1



INDEX LTR.	DESCRIPTION VARIATION NUMBER	PART NUMBER	QTY.
S2	Line, fuel 7 rubber (Replaced by X-697-8) 3,7,8,12,13,27,38,51	X-697-2	1
	Line, fuel 15 rubber (Use prior to engine serial no. D-345669) 8	X-386-22	1
	Line, fuel 6-1/4 rubber (Use prior to engine serial no. D-345669) 10,11,15,27,38,64	X-386-31	1
	Line, fuel 4 rubber 10,15,59,61,200	X-697-4	1
	Line, fuel 3-3/4 rubber (Use prior to engine serial no. D-345669) 12,44,46	X-386-17	1
	Line, fuel 5-1/4 rubber (Use 220097 prior to engine serial no. A-180267) 14	X-386-18	1

(S2-CONTINUED NEXT PAGE)

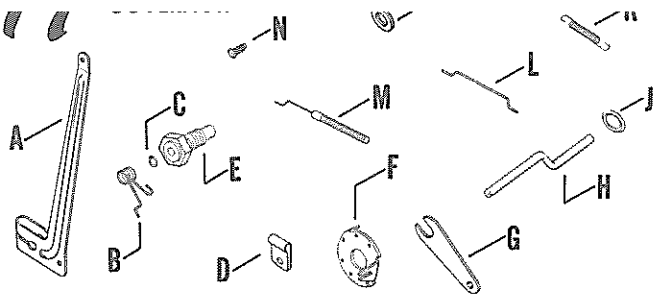
(S2-CONTINUED)								
	Line, fuel	10-1/2 rubber 23,48,51,52,53	X-386-1	1	V	Screw 61,64,200	X-776-1	1
	Line, fuel	5-1/4 rubber 29	X-541-1	1	W	Tee (Use on spec suffix "D" only) 200	X-203-16	1
	Line, fuel	5 rubber 44,46,62	X-697-1	1	X	Bracket, tank 10,11,15,29,35,53,58, 59,62	A-221254	1
	Line, fuel	13-1/2 rubber 55	X-386-6	1		61,64,200	46 217 04	1
	Line, fuel	12 rubber 58	X-386-4	1	Y1	Bracket, tank (Side mount) 8,19	220643	1
	Line, fuel	10 rubber (Discontinued--not available) 61,200	X-697-9	1		Bracket, tank (Discontinued--Not Available) 21,25	220652	1
	Line, fuel	9 rubber 64	X-386-14	1	Y2	Bracket, tank 64	46 126 01	1
	Line, fuel	5-1/2 rubber 64	X-386-42	1	Z	Clamp, hose (Replaced by X-426-9) 3,7,8,10,12,13,15,27,38, 44,46,51,59,62	X-309-14	2
S3	Line, fuel	5 rubber 37	266084	1		61,200	X-309-14	4
	Line, fuel	201	230153	1		64	X-309-14	1
T	Nipple 1/8 x 3/8 (Use prior to engine serial no. D-345669) 3,7,8,10,11,12,13,15,27, 38,44,46,48,51,55,199	X-217-6		1	AA	Connector, hose 1/8 I.P. 23,48,55	X-380-1	1
	Nipple 1/8 x 3/8 21,25,35,52	X-217-6		1	BB	Strainer 35	220526	1
	Elbow 35	X-447-10		1	CC	Plug, pipe 37	X-75-17	1
U	Elbow (Replaced by X-447-10) 37	A-607		1	DD	Connector, overflow 37	280169	1
					EE	Valve, drain 37	X-255-1	1
					FF	Tank, prime (1 quart) 37	265845	1



INDEX LTR.	DESCRIPTION VARIATION NUMBER	PART NUMBER	QTY.	INDEX LTR.	DESCRIPTION VARIATION NUMBER	PART NUMBER	QTY.
	Use stock of original part number before ordering replacement.			G	Gasket, cover ALL	221145	A.R.
A	Plug, vent ALL	205013	1		ALL	221146	A.R.
B	Plug, pipe 1/4 ALL	X-75-2	1		ALL	220218	1
C	Seal, gear cover ALL	X-271-11	1	H	Washer, copper ALL	D-997	2
D	Cover, gear (Includes bushing) ALL	A-221130	1	J	Housing, gear (Includes bushing) ALL	A-221131	1
E	Shaft, gear 1	220214	1	K	Plug, expansion ALL	X-230-11	1
	Shaft, gear (Discontinued-- Not Available) 4	220858	1	L	Seal, gear housing ALL	X-271-15	1
F	Gear, drive ALL	220213	1	M	Stud (Replaced by 220043) 4	220790	2

17 GOVERNOR

INDEX LTR.	DESCRIPTION VARIATION NUMBER	PART NUMBER	QTY.	INDEX LTR.	DESCRIPTION VARIATION NUMBER	PART NUMBER	QTY.
A	Lever, governor 1,2,7,8,9,11,12,13,14,15, 16,17,19,21,22,23,24,26, 27,28,29,31,32,34,36,37	220126	1	C	Ring, snap 13/64 I.D. 1,2,4,5,6,7,8,9,11,12,13, 14,15,16,17,19,21,22,23, 24,26,27,28,29,30,31,32, 34,36,37,38,39,98	X-269-13	1
	4,5,6,38,98,99	220340	1				
	30,39	220505	1	D	Clip, cable 13,16,31,32,34,36	210149	1
B	Spring, governor 1,2,7,8,9,11,12,13,14,15, 16,17,19,21,22,23,24,26,27, 28,29,31,32,34,36,37,38	220119	1	E	Bushing, governor 1,2,4,5,6,7,8,9,11,12,13, 14,15,16,17,19,21,22,23, 24,26,27,28,29,30,31,32, 34,36,37,38,39,98,99	220132	1
	4,6,30,98,99	230119	1				
	5	220274	1				



(L-CONTINUED)

	Linkage, governor 9	220663	1
M	Arm, adjusting 4,5,6,30,39,98,99	220239	1
N	Pin 1,7,8,14,19,21,22,26,27, 28,29,31,36,37,38	X-67-5	1
O	Washer 4,5,30,39,98,99	220266	1

IGNITION

18

INDEX LTR.	DESCRIPTION VARIATION NUMBER	PART NUMBER	QTY.
------------	------------------------------	-------------	------

F	Disc, regulating 1,2,4,5,6,7,8,9,30,31,32, 34,36,37,38,39,98,99	230149	1
	11	220744	1
	12	220750	1
	13,17,21,26	220755	1
	14	220760	1
	15	220766	1
	16,19	220773	1
	22	220873	1
	23	230913	1
	24	231261	1
	27,28	231387	1
	29	221126	1

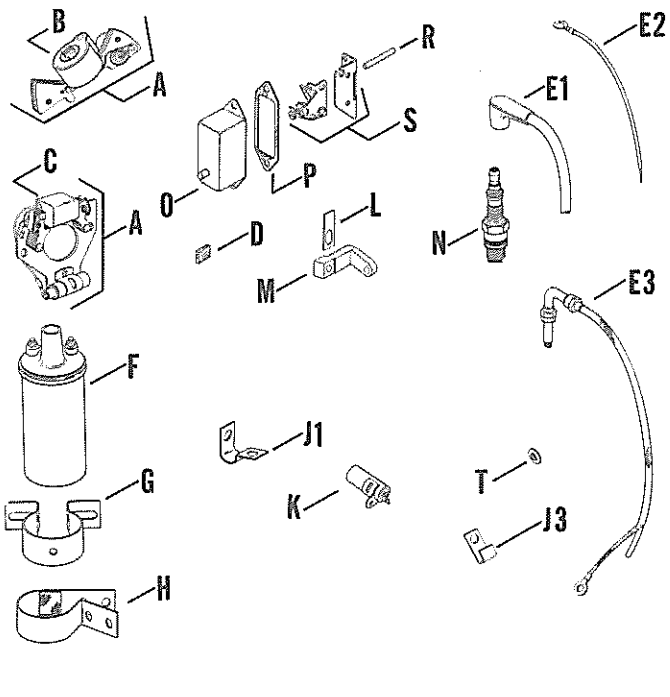
G	Bracket, speed control 1,2,7,8,9,11,12,13,14,15, 16,17,19,21,22,23,24,26, 27,29,31,32,34,36,37,38	220156	1
	4,5,6,30,39,98,99	230222	1
	28	221122	1

H	Shaft, governor 1,2,6,7,8,9,11,12,13,14, 15,16,17,19,21,22,23,24, 26,27,28,29,31,32,34,36, 37,38	220131	1
	4,5,30,39,98,99	220268	1

J	Gasket 7/16 10	240390	1
---	-------------------	--------	---

K	Spring, linkage 5,6,30,38,39,98,99	220339	1
---	---------------------------------------	--------	---

L	Linkage, governor 2-1/64 (Use 220078 linkage on carburetor A-220100 and A-220283) 1,2,4,5,6,7,8,11,12,13,14, 15,16,17,19,21,22,23,24,26, 27,28,29,30,31,32,34,36,37, 38,39	220380	1
---	-------------------------------------------------------------------------------------------------------------------------------------------------------------------------------------------------	--------	---

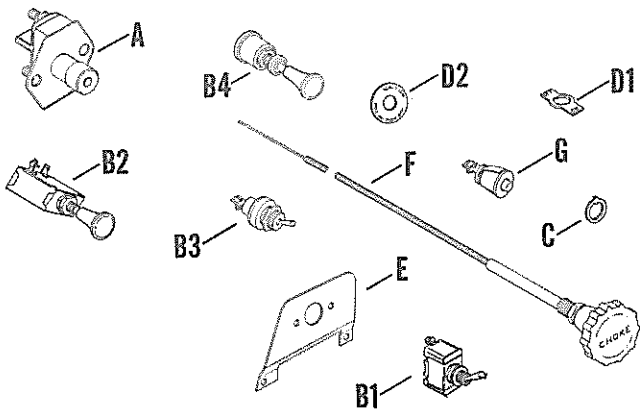


INDEX LTR.	DESCRIPTION VARIATION NUMBER	PART NUMBER	QTY.
------------	------------------------------	-------------	------

Use stock of original part number before ordering replacement.

A	Stator - assembly (Use kit 220424 on engines prior to serial no. 286901; generator sets prior to serial no. 191458) 2,3,4,5,8,9,10,11,14,15, 16,17,18,19,20,21,24,25, 27,29,30,31,32,35,36,37, 40,43,44,45,46,49,50,98, 99	A-220409	1
	Stator - assembly (Includes B,E1 & K) (Use Kit 220424 on engines prior to serial no. 286901; generator sets prior to serial no. 191458) 1,7,33,47,51,52,54,55,56, 57,58	46 085 01	1

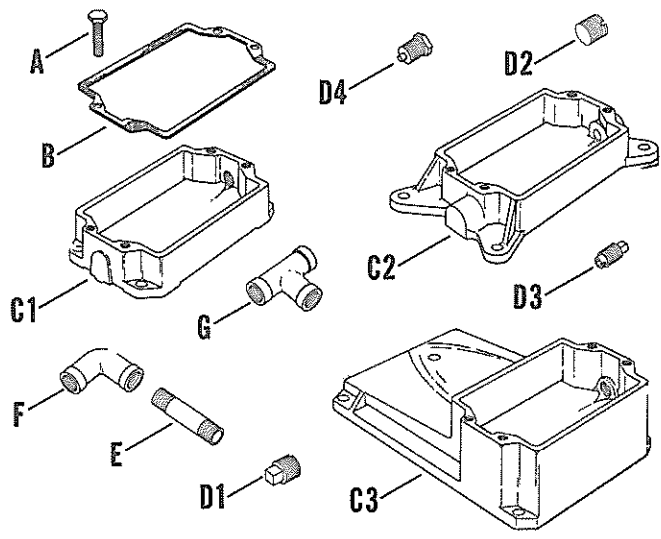
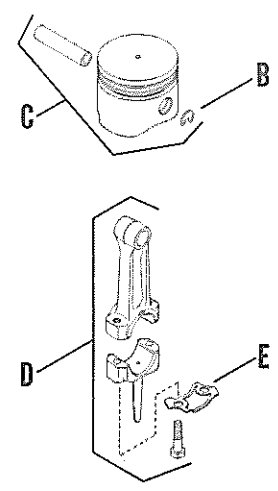
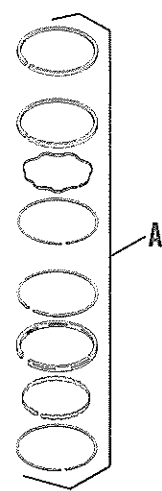
LET.	DESCRIPTION	NUMBER	QTY	LET.	DESCRIPTION	NUMBER	QTY
B	Coil, magneto (Use 220424 on engines prior to serial no. 286901; generator sets prior to serial no. 191458) ALL	220435	1	(A-CONTINUED)	Condenser 39,98,99	230722	1
					48	230980	1
C	Clamp, coil fastening (Discontinued--Not Available) (Use on engines prior to serial no. 286901; generator sets prior to serial no. 191458) 1,2,3,4,5,7,8,9,10,11,14,15,16,17,18,19,20,21,24,25,27,29,30,31,32,33,35,36,37,40,43,44,45,46,47,49,50,51,52,98,99	210293	1	L	Spring, stop control 32,50	220856	1
				M	Bracket, stop control 32,50	220857	1
				N	Plug, spark 1,2,3,4,5,8,14,15,17,19,20,25,31,33,35,37,40,43,44,45,46,47,48,49,50,51,52,58,98,99	270321-S	1
D	Seal, drain 25,46,47	220770	1		10,24	220258-S	1
E1	Lead, hi-tension 1,2,3,4,5,7,14,15,17,19,20,25,27,30,31,32,33,36,37,40,43,45,46,47,49,50,51,52,54,55,56,57,58	A-275664	1		29	231410-S	1
					36	270809-S	1
					54,56,57	41 132 06	1
					55	47 132 02	1
E2	Lead, hi-tension (Replaced by 238057 kit) 9,11,16,18,21,44,98	A-220432	1		Plug, spark (Replaced by 41 132 02) 7,27,30,32,39	232604-S	1
					Plug, spark (Replaced by 270321-S) 9,11,16,18,21,98,99	220040-S	1
E3	Lead, hi-tension 10,24	A-220557	1	O	Cover, breaker ALL (except 7 and 56)	A-220136	1
					7,56	232535	1
F	Coil (Replaced by 47 145 01) 39,98,99	237256	1	P	Gasket, cover ALL	220174	1
G	Bracket, coil mounting 99	231879	1	R	Rod, breaker (Stainless steel) (Use kit 220506 prior to engine serial no. 321978; generator set serial no. 202656)	46 411 01	1
H	Bracket, coil mounting 39	237253	1	S	Breaker - assembly (Replaced by 47 150 03) (Use kit 220506 prior to engine serial no. 321978; generator set serial no. 202656)	47 150 01	1
J1	Clip, cable 1,2,3,4,5,7,8,9,10,11,14,15,16,17,18,19,20,21,24,27,31,32,33,35,36,37,40,43,44,45,49,50,51,52,54,55,57	275183	1	T	Diaphragm, breaker seal 98,99	220074	1
J2	Clip, cable 2,3,7,15,17,19,20,25,30,31,33,37,40,43,44,45,46,47,51,52,56,57,58	46 154 01	1				
J3	Clip, cable 8	275182	1				
K	Condenser (Use 220082 on engines prior to serial no. 286901; generator sets prior to serial no. 191458) 1,2,3,4,5,7,8,9,10,11,14,15,16,17,18,19,20,21,24,25,27,29,30,31,32,33,35,36,37,40,43,44,45,46,47,49,50,51,52,54,55,56,57,58,98,99	220434	1				



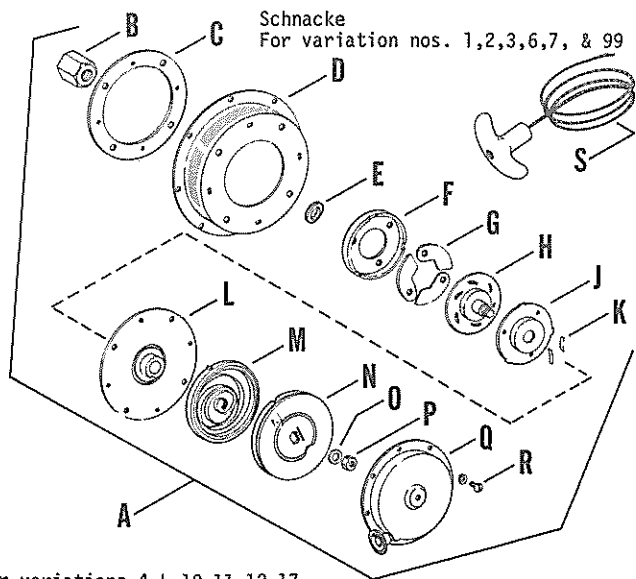
INDEX LTR.	DESCRIPTION VARIATION NUMBER	PART NUMBER	QTY.
Use stock of original part number before ordering replacement.			
A	Switch, start 2,4,5,7,11	230442	1
B1	Switch, ignition 4,7	151510-2	1
B2	Switch, ignition 11	275713	1
B3	Switch, ignition 50,51,52,53,54,56	234690	1
B4	Switch, ignition (Replaced by 223072-S kit) 50,52,55,57	223072	1
C	Ring, lock 4,7	151511	1
D1	Plate, switch 4,7,50,51,52,53,54,56	220725	1
D2	Plate, instruction 11,50,52,55,57	223073	1
	58	236654	1
E	Panel 2,5	220601	1
	4	220649	1
	11	220914	1
	Panel (Discontinued--Not Available) 7	220785	1
F	Cable, choke 7	240876-4	1
G	Switch, stop 51,58	236435	1

INDEX LTR.	DESCRIPTION VARIATION NUMBER	PART NUMBER	QTY.
Use stock of original part number before ordering replacement.			
A	Screw, hex. hd. 5/16 - 18 x 1 40,47	220841	4
B	Gasket, pan ALL (except 35,40,47)	220157	1
	35	220775	1
	40,47	220918	1
C1	Base, oil pan (Side drain) (Replaced by 46 199 01) 1,6,8,9,15,22,40	220121	1
	2,5,17,21,35,47	220167	1
	23	220325	1
	28	220723	1
	45	221127	1
	49	220563	1
	Base, oil pan (Side drain) (Discontinued--Not Available) 4	220495	1
	Base, oil pan (Side drain) (Replaced by 221517 kit) 18,25,37	220520	1
	Base, oil pan (Side drain) (Replaced by 221127) 32	220568	1
	Base, oil pan (Side drain) 36,39	220794	1
	52,53	46 199 01	1
C2	Base, oil pan (Side drain) 7,31	220316	1
	16	220548	1
C3	Base, oil pan (Side drain) 11,13,30,199	220222	1
	12,14	220237	1
	43	220954	1
	200	220272	1
	Base, oil pan (Discontinued--Not Available) 26	220688	1

D1	Plug, drain 1/4 sq. hd. 1,2,4,5,7,8,9,11,12,13,14, 16,17,21,22,26,28,30,31, 35,36,39,40,47,199,200	X-75-2	1
	32,45,49	X-75-2	2
	Plug, drain 1/4 Allen hd. 6	X-75-20	1
	Plug, drain 1/2 sq. hd. 23	X-75-5	2
D2	Plug, drain 1/4 std. hd. 15	X-75-14	1
D3	Plug, magnetic drain 3/8 (Discontinued--Not Available) 18,25	X-305-2	1
D4	Plug, magnetic drain 3/8 37,43	X-305-4	1
E	Nipple 1/4 x 1-1/2 17	X-220-6	1
	Nipple 1/2 x 1-3/16 23	X-209-2	1
F	Elbow, pipe 1/4 17	X-215-5	1
G	Tee, pipe 1/2 23	X-203-13	1



INDEX LTR.	DESCRIPTION VARIATION NUMBER	PART NUMBER	QTY.
A	Ring set--Std. & .003 ALL	220801	1
	Ring set - .010	220802	
	Ring set - .020	220803	
	Ring set - .030	220804	
B	Retainer, piston pin ALL	220004	2
C	Piston-assembly--Std. (Includes pin & retainers) ALL	46 074 01	1
	Piston-assembly--.003 (Includes pin & retainers)	46 074 02	
	Piston-assembly--.010 (Includes pin & retainers)	46 074 03	
	Piston-assembly--.020 (Includes pin & retainers)	46 074 04	
	Piston-assembly--.030 (Includes pin & retainers)	46 074 05	
D	Rod, connecting - assembly (Includes E) ALL	B-220111	1
	Rod, connecting - assembly (Includes E) (.010)	B-220111-10	
E	Lock, connecting rod ALL	220492	1

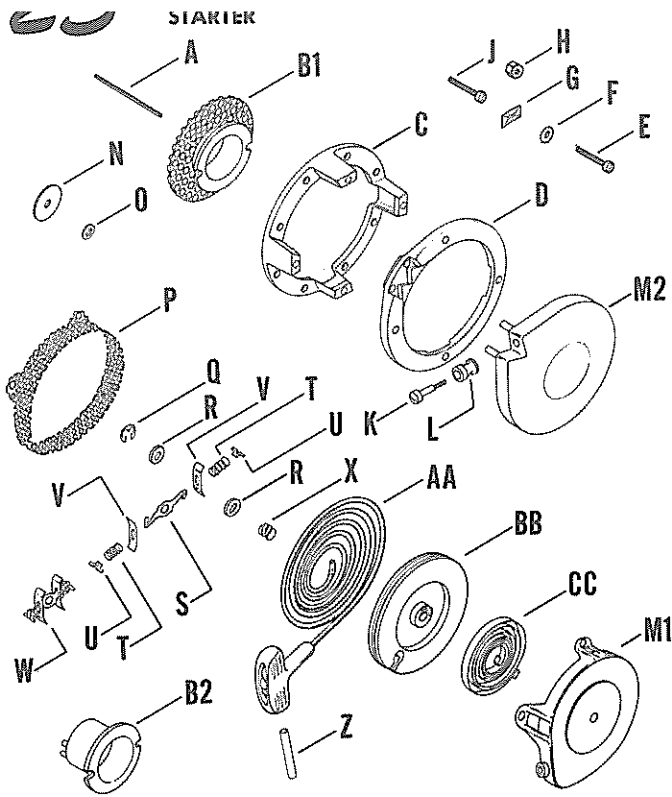


For variations 4,5,10,11,12,17,
& 18 - See Grid C12

For variations 15 and 98 - See Grid C14

INDEX LTR.	DESCRIPTION VARIATION NUMBER	PART NUMBER	QTY.
A	Starter - assembly (Includes B thru S) (Discontinued--Not Available) 1,99	B-220170	1
	2	B-220307	1
	Starter - assembly (Includes B thru H, K thru M & O thru S) (Discontinued--Not Available) 3	B-220471	1
	Starter - assembly (Includes B thru N & P thru S) 6	B-220290	1
	Starter - assembly (Includes B thru M, P thru S) 7	B-220293	1
B	Member, nut driven (Discontinued--Not Available) 1,2,3,6,7,99	220403	1
C	Plate, nut 1,2,3,6,7,99	220235	1
D	Housing, starter 1,3,6,7,99	220397	1
	2	220406	1
E	Ring, pin retaining (Discontinued--Not Available) 1,2,3,6,7,99	220405	3

F	Cup, driving plate (Discontinued--Not Available) 1,2,3,6,7,99	220401	1
G	Pawls, drive 1,2,3,6,7,99	220399	3
H	Plate, cam w/axle (Discontinued--Not Available) 1,2,3,6,7,99	220398	1
J	Plate, drive w/pins (Discontinued--Not Available) 1,2,6,7,99	220402	1
K	Spring, friction 1,2,3,6,7,99	220400	2
L	Plate, mounting & bushing 1,2,3,6,7,99	220396	1
M	Spring, recoil 1,2,3,6,7,99	220234	1
N	Sheave (Use with nylon cable)(Discontinued--Not Available) 1,2,6,99	220230	1
	Sheave (Use with nylon cable)(Discontinued--Not Available) 1,99	220609	1
O	Washer, shim (Use with steel cable) (Discontinued--Not Available) 1,2,3,99	220231	1
	Washer, shim (Use with nylon cable) 1,99	220607	1
P	Nut, hex. 5/16 - 24 1,2,3,6,7,99	X-82-1	1
Q	Housing, sheave (Discontinued--Not Available) 1,2,3,6,7,99	220395	1
R	Screw, rd. hd. #10 - 32 x 7/16 1,2,3,6,7,99	X-110-1	4
S	Cable, w/handle 48 (nylon) (Discontinued--Not Available) 1,2,99	A-220608	1
	Cable, w/handle 48 (steel) 1,2,99	A-220404	1
	Cable, w/handle 58 (steel) (Discontinued--Not Available) 3	A-220960	1
	Cable, w/handle 77 (steel) (Discontinued--Not Available) 6	A-220691	1
	Cable, w/handle 73 (steel) (Discontinued--Not Available) 7	220373	1



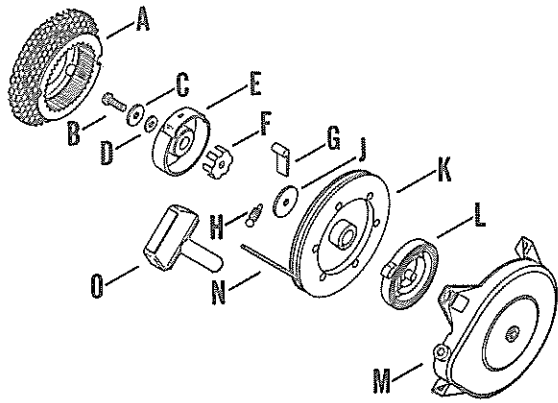
Fairbanks - Morse
For variation nos. 4,5,10,11,12,17 & 18

B1	Cup, drive w/screen (Use variation 18 on engines with spec suffix "B" & variation 15 on engines with spec suffix "C")	4	A-220594	1
	Cup, drive w/screen	5	A-220595	1
		12	220765	1
		18	A-220594	1
B2	Cup, drive (Use variation 17 on engines with spec suffix "B" & variation 15 on engines with spec suffix "C")	10	220724	1
	Cup, drive	11,17	220724	1
C	Flange, mounting	12	230787	1
D	Flange, middle	12	230789	1
E	Screw, machine (Discontinued--Not Available)	12	220988	5
F	Washer, split mounting (Discontinued--Not Available)	12	220989	5
G	Nut, Tinnerman	12	220987	5
H	Nut, hex.	12	220986	5
J	Screw, machine	12	230788	4
K	Screw, roller	12	230836	1
L	Roller	12	230912	1
M1	Cover, starter (Use variation 18 on engines with spec suffix "B" & variation 15 on engines with spec suffix "C")	4	220867	1
	Cover, starter	5,11	220867	1
	Cover, starter (Use variation 17 on engines with spec suffix "B" & variation 15 on engines with spec suffix "C")	10	220867	1
	Cover	17,18	220991	1
M2	Cover, starter	12	230911	1
N	Washer, brake retainer	4,5,10,11,12	230791	1
O	Washer, brake	4,5,10,11,12	220614	2

INDEX LTR.	DESCRIPTION VARIATION NUMBER	PART NUMBER	QTY.
	Starter - assembly (Use variation 18 on engines with spec suffix "B" & variation 15 on engines with spec suffix "C")		
	4	B-220589	1
	Starter - assembly		
	5	B-220589	1
	11	B-220656	1
	12	A-220641	1
	Starter - assembly (Use variation 17 on engines with spec suffix "B" & variation 15 on engines with spec suffix "C")		
	10	B-220589	1
	Starter - assembly (Includes A-220935 starter & 220936 cup)		
	17,18	221504	1
A	Pin, centering		
	4,5,10,11	220625	1
	12	230795	1

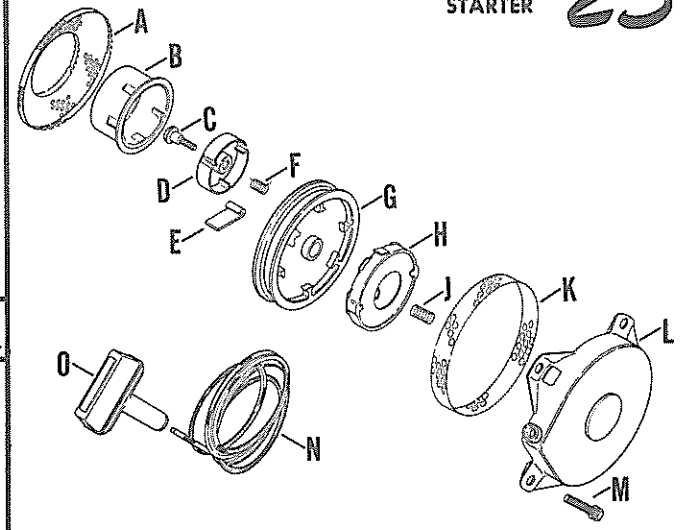
P	Screen, grass (Use variation 17 on engines with spec suffix "B" & variation 15 on engines with spec suffix "C") 10	220759	1	Z	Pin, handle (Discontinued--Not Available) 12	231680	1
	Screen, grass 17	220951	1	AA	Cord, starter (Use variation 18 on engines with spec suffix "B" & variation 15 on engines with spec suffix "C") 4	220870	1
Q	Ring, retainer 4,5,10,11,12,17,18	230790	1		Cord, starter 5,11	220870	1
R	Washer, fiber (Use variation 18 on engines with spec suffix "B" & variation 15 on engines with spec suffix "C") 4	220615	2		12	231538	1
	Washer, fiber 5,11,12	220615	2		Cord, starter (Use variation 17 on engines with spec suffix "B" & variation 15 on engines with spec suffix "C") 10	220870	1
	17,18	220960	2		Cord and clip 17,18	220961	1
	Washer, fiber (Use variation 17 on engines with spec suffix "B" & variation 15 on engines with spec suffix "C") 10	220615	2	BB	Rotor, starter (Use variation 18 on engines with spec suffix "B" & variation 15 on engines with spec suffix "C") 4	220869	1
S	Lever, brake 4,5,10,11,12,17,18	220617	1		Rotor, starter 5,11	220869	1
T	Spring, friction shoe (Discontinued--Not Available) 4,5,10,11,12,17,18	220619	2		Rotor, starter (Use variation 17 on engines with spec suffix "B" & variation 15 on engines with spec suffix "C") 10	220869	1
U	Plate, spring retainer 4,5,10,11,12,17,18	220620	2		Rotor 12	230793	1
V	Plate, friction shoe (Discontinued--Not Available) 4,5,10,11,12,17,18	220618	2		17,18	220990	1
W	Shoe, friction - assembly (Includes S thru V) 4,5,10,11,12,17,18	A-220616	1	CC	Spring, rewind (Use variation 18 on engines with spec suffix "B" & variation 15 on engines with spec suffix "C") 4	220868	1
X	Spring, brake 4,5,10,11,12,17,18	220613	1		Spring, rewind 5,11	220868	1
Y	Handle (Use variation 18 on engines with spec suffix "B" & variation 15 on engines with spec suffix "C") 4	234452	1		12	230794	1
	Handle 5,11,12	234452	1		17,18	220959	1
	17,18	231679	1		Spring, rewind (Use variation 17 on engines with spec suffix "B" & variation 15 on engines with spec suffix "C") 10	220868	1
	Handle (Use variation 17 on engines with spec suffix "B" & variation 15 on engines with spec suffix "C") 10	234452	1				

STARTER



0	Handle (Includes bushing) 15	234452	1
---	------------------------------------	--------	---

RETRACTABLE STARTER **23**



INDEX LTR.	DESCRIPTION VARIATION NUMBER	PART NUMBER	QTY.
	Starter, retractable (Includes B thru O) (Replaced by starter & hub kit 46 755 02) 15,98	A-220935	1
A	Drive cup and screen (Use 46 109 01 after serial 9088147) 15	220936	1
	Drive cup and screen (Use 46 109 01 after serial 9087575) 98	220936	1
B	Screw 15	231691	1
C	Washer 15	231690	1
D	Washer, spacer 15	231693	1
E	Retainer, dog 15	232947	1
F	Brake 15	231689	1
G	Dog 15	231695	1
H	Spring, dog 15	232946	1
J	Washer, thrust 15	231692	1
K	Pulley 15	232948	1
L	Spring, recoil 15	232945	1
M	Housing - assembly (Includes bushing & center shaft) 15	232949	1
N	Rope 55" 15	232944	1

INDEX LTR.	DESCRIPTION VARIATION NUMBER	PART NUMBER	QTY.
	Starter - assembly (Includes C thru L, N & O) 20	46 165 01	1
	Kit, starter & hub (Includes B thru L, N & O) 21	46 755 02	1
	Starter - assembly (Includes C thru L, N & O) (Use A-220935 prior to serial no. 8103426) 98	46 165 01	1
A	Screen 21	46 162 02	1
B	Hub, starter (Use 220936 prior to serial no. 9088148) 20,21	46 109 01	1
	Hub, starter (Use 220936 prior to serial no. 9087576) 98	46 109 01	1
C	Screw 20,21,98	46 186 01	1
D	Retainer, dog 20,21,98	46 018 01	1
E	Dog 20,21,98	231695	1
F	Spring, dog 20,21,98	46 089 04	3
G	Pulley - assembly 20,21,98	46 512 01	1

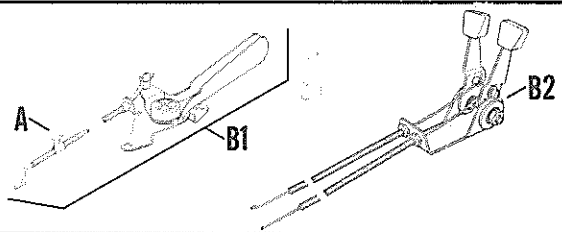
H	Spring & Keeper - assembly 20,21,98	46 089 05	1
J	Spring, brake 20,21,98	46 219 01	1
K	Screen 20,98	46 110 01	1
L	Housing - assembly 20,21,98	46 095 03	1
M	Screw 20,21,98	X-806-1	4
N	Rope 20,21,98	46 160 02	1
O	Handle (Includes bushing) 20,21,98	234452	1

225011-2: Use to replace levers with 41" to 51" long wires.
225011-7: Use to replace levers with 12" to 40" long wires.

When using the replacement lever, the wire and casing must be cut to match the length of the unit it replaces. Instructions will be packaged with these replacement levers. The lengths of the wire and casing of levers being replaced on the K91 engine are shown below:

LEVER NUMBER	WIRE LENGTH	CASING LENGTH
225011-10	22"	19"
225011-11	12"	9"
225011-13	44.5"	41.5"
225011-15	49"	46"
225011-19	41"	38"
225011-21	30"	27"

REMOTE THROTTLE 24



INDEX LTR.	DESCRIPTION VARIATION NUMBER	PART NUMBER	QTY.
A	Clip, cable 1,2,3,4,6,8,9,10,14,17	210149	1
	5	210149	3
	12	210149	2

To simplify stock requirements, throttle levers are furnished only in certain wire lengths. The following replacement levers apply to the K91.

B1	Lever, throttle (Use 225011-7--See Chart)		
	1	225011-11	1
	4	225011-10	1
	17	225011-21	1
	Lever, throttle (51" cable)		
	3	225011-2	1
	Lever, throttle (Use 225011-2--See Chart)		
	5	225011-13	1
	10	225011-15	1
	14	225011-19	1
	Lever, throttle (72" cable)		
	6	225011-6	1
	Lever, throttle (96" cable)		
	8	225011-16	1
	Lever, throttle (40" cable)		
	9	225011-7	1
B2	Lever, throttle-dual (44-1/2" cable)		
	12	A-225020-1	1

OPTIONAL ACCESSORIES

Spec No.	Description	Part No.	Spec No.	Description	Part No.	Spec No.	Description	Part No.
2662	Key, square	231845	31132	Nipple	X-217-6	31264	Gasket, muffler	220122
27224	Filter, fuel	A-210101		Filter, fuel	A-210101	31268	Spacer	220305
	Muffler	220145		Gasket	220122		Kit, air cleaner	46.743 01
	Strap, tank (2)	A-221197		Muffler	220145	31277	Gasket	220122
	Dipstick	A-220463-S	31177	Tank	220153		Gasket	220537
	Nipple 1/8 x 3/4	X-217-6	31200	Muffler	214045	31287	Muffler	214045
	Gasket, muffler	220122	31238	Nipple	X-217-6	31292	Cleaner, air	A-200137
27264	Gasket, muffler	220122		Elbow, hose 90°	X-391-1		Muffler	214045
3166	Kit, air cleaner	46 743 01		Muffler	214045		Tank, fuel	220164
3171	Kit, air cleaner	46 743 01		Filter, fuel	A-210101		Gasket	220537
3189	Kit, air cleaner	46 743 01		Tank, fuel	220164	31293	Valve	220764
31107	Nipple 3/4 x 2 (2)	46 136 01	31249	Nipple	X-206-2		Nipple	X-217-6
	Connector, hose	X-380-1		Nut, lock 3/4	X-427-1		Cleaner, air	A-200137
	Line, fuel	X-810-18		Muffler	220521		Muffler	214045
	Clip 1/2 wide	210149		Gasket, air horn	220537		Tank, fuel	220164
	Muffler	214045		Elbow, street 45°	SA-472		Elbow	X-391-1
				Nut, wing	X-276-7		Filter, fuel	A-210101
				Cleaner, air	A-210116		Gasket	220537

31307	Nipple Connector Hose Clip Muffler	X-206-2 X-380-1 X-810-18 210149 214045	31647	Kit, air cleaner	46 743 01	31821	Nipple 1 x 1/8	X-483-1
31309	Clip	210149	31649	Line, copper Tank, fuel Seal Strap, tank (2) Pulley Valve Trough, spill	X-294-15 220164 220758 A-234167 230729 210392-1 220901	31822	Nut, wing Valve Tank Sleeve Nut	X-276-7 210392-1 220164 220547 220786
31361	Kit, air cleaner	46 743 01	31656	Nipple Filter, fuel Connector, hose Pulley, starter	X-217-6 A-210101 X-495-1 230729	31838	Line Valve Tank Seal Sleeve Nut Trough, spill Strap (2) Pulley	X-294-15 210392-1 220164 220758 220547 220786 220901 A-234167 230729
31378	Nipple Filter, fuel Gasket (2) Muffler Tank	X-217-6 A-210101 220122 220145 220153	31670	Pulley	230729	31839	Coil, ignition Kit, hi-tension	231281 238057
31388	Connector Clip Nipple Line, fuel Muffler	X-380-1 210149 X-206-2 X-386-6 214045	31731	Kit, air cleaner	46 743 01	31857	Nut Line, fuel Tank, fuel Gasket Valve, fuel Cover, air cleaner Element, filter Element, pre-cleaner	230729 238057 231281
31406	Clip	210149	31734	Valve, fuel Regulator Tank, fuel Strap, tank (2)	210392-1 270952 220164 A-234167	31857	Regulator	270952
31409	Nipple Filter, fuel Gasket (2)	X-217-6 A-210101 220122	31739	Muffler	220521	31867	Starter - assembly Cup and screen Shaft, front drive	A-220935 220936 231249
31423	Filter, fuel	A-210101	31759	Nipple Filter, fuel Elbow, hose Pulley, starter	X-217-6 A-210101 X-495-1 230729	31872	Nipple Muffler	X-206-2 214045
31426	Kit, air cleaner	46 743 01	31760	Gasket	220122	31880	Kit, air cleaner	46 743 01
31446	Nipple Filter, fuel Gasket Tank	X-217-6 A-210101 220122 220153	31762	Valve, fuel Tank, fuel Strap, tank (2)	210392-1 220164 A-234167	31883	Nipple	X-206-9
31477	Valve Tank, fuel Strap, tank (2) Pulley, starter Switch, starter Motor - generator Regulator Trough, spill Seal, trough	210392-1 220164 A-234167 230729 237851 B-230922 270952 220757 220758	31770	Muffler	214045	31884	Nut Line, fuel Tank, fuel Gasket (3) Valve, fuel Base, air cleaner Cover, air cleaner Element, air cleaner Elbow, air cleaner Element, pre-cleaner	X-276-7 X-386-1 220153 220537 220764 230838 230839 230840 232505 234870
31482	Connector Muffler Nipple Clip	X-380-1 214045 X-206-2 210149	31775	Solenoid, cranking	243823	31891	Regulator	270952
31486	Tank, fuel Seal, trough Pulley Line, copper Valve Trough Strap, tank (2)	220164 220758 230729 X-294-15 210392-1 220757 A-234167	31776	Stud, muffler 1-7/8 (2) Muffler Control, throttle Clip, cable Gasket, muffler	220133 220145 220955 210149 220122	31895	Nut Line, fuel Tank, fuel Gasket Valve, fuel Cover Element	X-276-7 X-386-14 220153 220537 220764 230839 230840
31490	Clip	210149	31807	Valve Tank Sleeve Nut Connector	210392-1 220164 220547 220786 231509	31899	Nipple Muffler	X-206-2 214045
31523	Regulator	270952	31810	Line, copper Valve Tank, fuel Seal, trough Trough, spill Strap, tank (2) Pulley	X-294-15 210392-1 220164 220758 220901 A-234167 230729	31900	Nut, lock 3/4 Gasket, muffler Muffler Adapter, exhaust	X-427-1 220122 220145 221123
31532	Nipple 3/4 x 1-3/8 Muffler	X-206-9 214045	31814	Gasket Adapter, exhaust	220122 221123	31901	Nut, lock 3/4 Gasket, muffler Muffler Adapter, exhaust	X-427-1 220122 220145 221123
31559	Switch	230442	31815	Gasket Adapter, exhaust	220122 221123			
31583	Switch	230442	31816	Gasket Adapter, exhaust	220122 221123			
31591	Starter, gen.-assem. Pulley, starter	B-230715 230729	31817	Gasket Adapter, exhaust	220122 221123			
31616	Pulley, starter	230729	31818	Gasket Adapter, exhaust	220122 221123			
31621	Kit, air cleaner	46 743 01	31820	Gasket Adapter, exhaust	220122 221123			
31627	Kit, air cleaner	46 743 01						

31902	Nut, lock 3/4 Gasket muffler Muffler Adapter, exhaust	X-427-1 220122 220145 221123	31925	Kit, air cleaner	46 743 01	31980	Nipple Muffler Elbow	X-206-4 214045 220407
31904	Nut, lock 3/4 Gasket, muffler Muffler Adapter, exhaust	X-427-1 220122 220145 221123	39126	Kit, air cleaner	46 743 01	31990	Belt, starter	230721
31905	Kit, air cleaner	46 743 01	31935	Kit, air cleaner	46 743 01	31992	Nut, wing Line, fuel Gasket Valve, fuel Cover Element Element, pre-cleaner	X-276-7 X-810-12 220537 220764 230839 230840 234870
31914	Nut Line, fuel Tank, fuel Gasket (3) Valve, fuel Base, air cleaner Cover, air cleaner Element, air cleaner Elbow, air cleaner Element, pre-cleaner	X-276-7 X-810-18 220153 220537 220764 230838 230839 230840 232505 234870	31964	Regulator	46 403 02	31994	Nipple Muffler	X-206-9 214045
31916	Kit, air cleaner	46 743 01	31969	Tank, fuel Valve, fuel	220153 220764	31996	Screw, H.C. Shaft, front drive Tank, fuel Valve, fuel Webbing (2) Strap, tank	X-132-4 230531 220153 210392-1 X-295-25 A-234167
31919	Tank, fuel Valve, fuel	220153 220764	31973	Valve, fuel Tank, fuel Webbing (2) Strap, tank (2) Belt Pulley Shim (4)	210392-1 220164 X-295-25 A-234167 230721 230729 236397			

LIMITED PRODUCTION ENGINE SPECIFICATIONS

The following engines were produced in limited sample quantities and do not appear in the specification index.

2651	27149	27273	31320	31386	31502	31573	31648	31732
2658	27150	3128	31322	31387	31505	31574	31650	31742
2665	27151	3147	31323	31390	31507	31575	31653	31743
2669	27167	3170	31325	31395	31508	31578	31654	31744
2674	27171	3176	31328	31396	31509	31579	31658	31749
2678	27174	3177	31333	31397	31528	31581	31663	31752
2679	27178	31133	31334	31398	31530	31582	31664	31753
2682	27181	31141	31335	31399	31531	31584	31665	31763
2687	27182	31158	31336	31402	31533	31586	31668	31768
2688	27183	31236	31338	31412	31535	31590	31669	31782
2691	27184	31237	31339	31413	31536	31592	31671	31784
2763	27186	31245	31341	31419	31538	31593	31672	31785
2773	27187	31248	31343	31420	31539	31596	31674	31787
2780	27194	31260	31344	31421	31541	31598	31675	31790
2794	27195	31275	31345	31422	31542	31599	31676	31812
2795	27196	31276	31347	31428	31543	31602	31678	31832
27105	27197	31279	31348	31431	31544	31603	31680	31836
27108	27201	31281	31349	31434	31545	31604	31681	31837
27109	27205	31282	31350	31435	31547	31605	31682	31840
27111	27208	31286	31351	31439	31549	31607	31688	31842
27115	27209	31288	31353	31440	31551	31610	31693	31851
27117	27218	31289	31354	31449	31552	31611	31697	31858
27118	27221	31290	31356	31450	31556	31613	31700	31859
27119	27225	31291	31358	31456	31557	31615	31702	31861
27124	27227	31294	31360	31460	31558	31617	31703	31885
27125	27228	31298	31362	31461	31561	31618	31708	31897
27126	27229	31299	31363	31462	31562	31619	31711	31906
27128	27230	31302	31364	31464	31563	31623	31713	31909
27129	27233	31303	31366	31470	31564	31624	31720	31915
27131	27239	31305	31367	31471	31565	31626	31721	31931
27138	27240	31310	31368	31481	31566	31633	31723	31932
27139	27241	31311	31369	31488	31568	31634	31724	31938
27140	27248	31312	31370	31491	31569	31635	31725	31939
27142	27260	31313	31371	31492	31570	31637	31728	31948
27144	27263	31316	31376	31496	31571	31639	31729	
27148	27266	31317	31381	31501	31572	31646	31730	

(WITHOUT SEALS)

(WITH SEALS)

<u>Part No.</u>	<u>Description</u>
210223	Gasket, carburetor
220071	Gasket, bearing plate
220122	Gasket, exhaust manifold
220124	Gasket, cylinder head
220141	Gasket, adapter
46 041 01	Gasket, oil pan
52 041 11	Gasket, breaker cover
220369	Seal, breather
220370	Gasket, valve cover (2)
220537	Gasket, air horn

<u>Part No.</u>	<u>Description</u>
X-271-15	Seal, front oil
X-271-16	Seal, rear oil
210223	Gasket, carburetor
220071	Gasket, bearing plate
220122	Gasket, exhaust manifold
220124	Gasket, cylinder head
220141	Gasket, adapter
46 041 01	Gasket, oil pan
52 041 11	Gasket, breaker cover
220218	Gasket, gear cover
220369	Seal, breather
220370	Gasket, valve cover (2)
220537	Gasket, air horn

KOHLER engines

ENGINE DIVISION, KOHLER CO., KOHLER, WISCONSIN 53044

FOR SALES AND SERVICE INFORMATION
IN U.S. AND CANADA, CALL
1-800-544-2444