

KOHLER engines

MODEL K660-K662

PARTS MANUAL

IMPORTANT

Read this section thoroughly

All dimensions indicated in inches unless specified.

The model, specification, and serial numbers of your engine are found on the engine nameplate. Use the specification and serial numbers to insure correct parts identification.

HOW TO IDENTIFY PARTS IN AN ENGINE FOR WHICH YOU DO NOT HAVE THE SPECIFICATION NUMBER

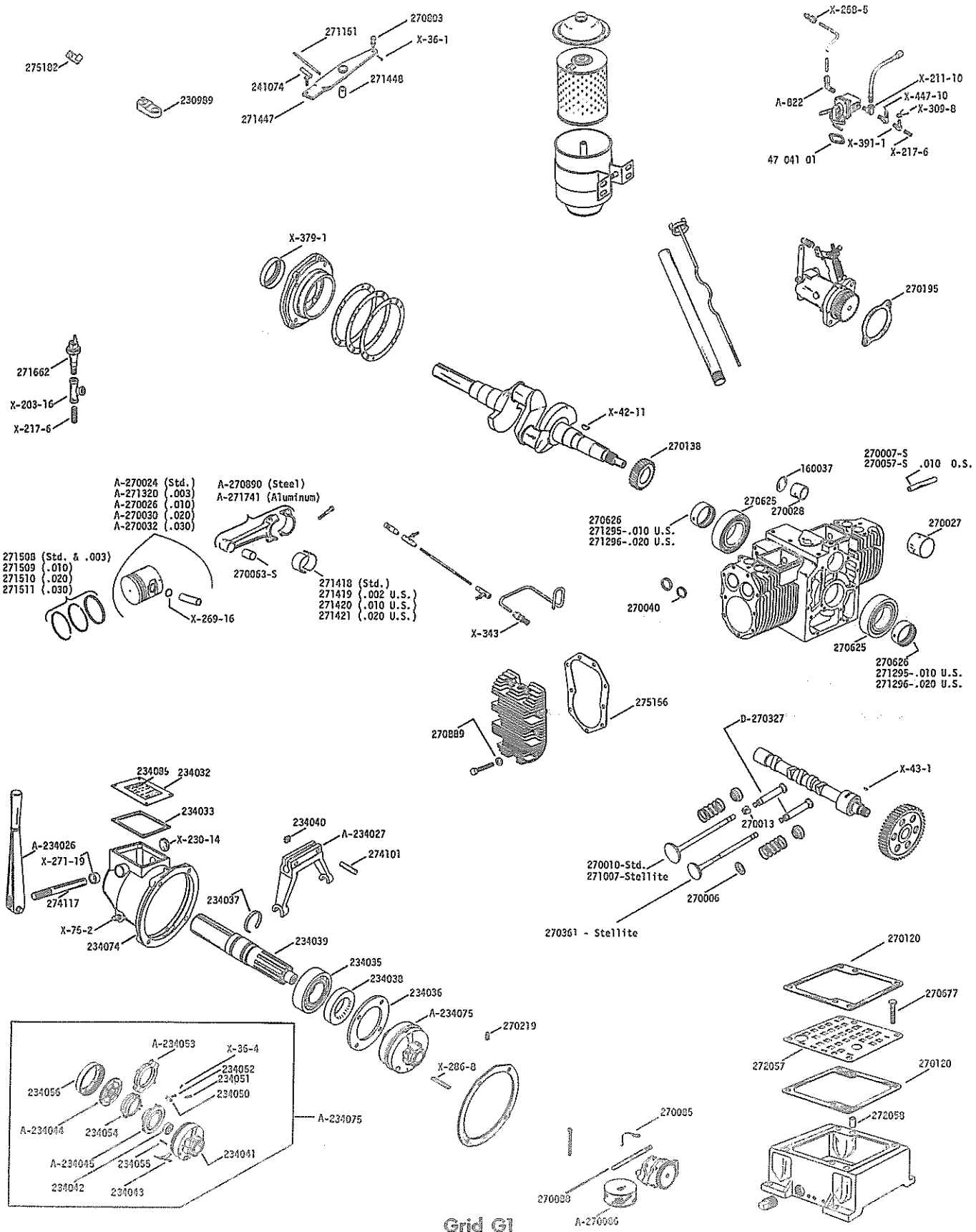
A specification number not appearing in the index may have been produced in very limited quantity. Parts may be identified for such an engine by using the following procedures.

- a. Check Quick Reference Parts List. Part may be common to all specifications.
- b. If not a common part, then check group illustration to see if part is shown. Using index letter, check parts list for part number.
- c. If part is illustrated and several numbers given, examine group and see if a special part is shown which you have on your engine. If so, determine variation number and go back to original part that you were looking for. Find the same variation number as used for special part and you will have correct part number.

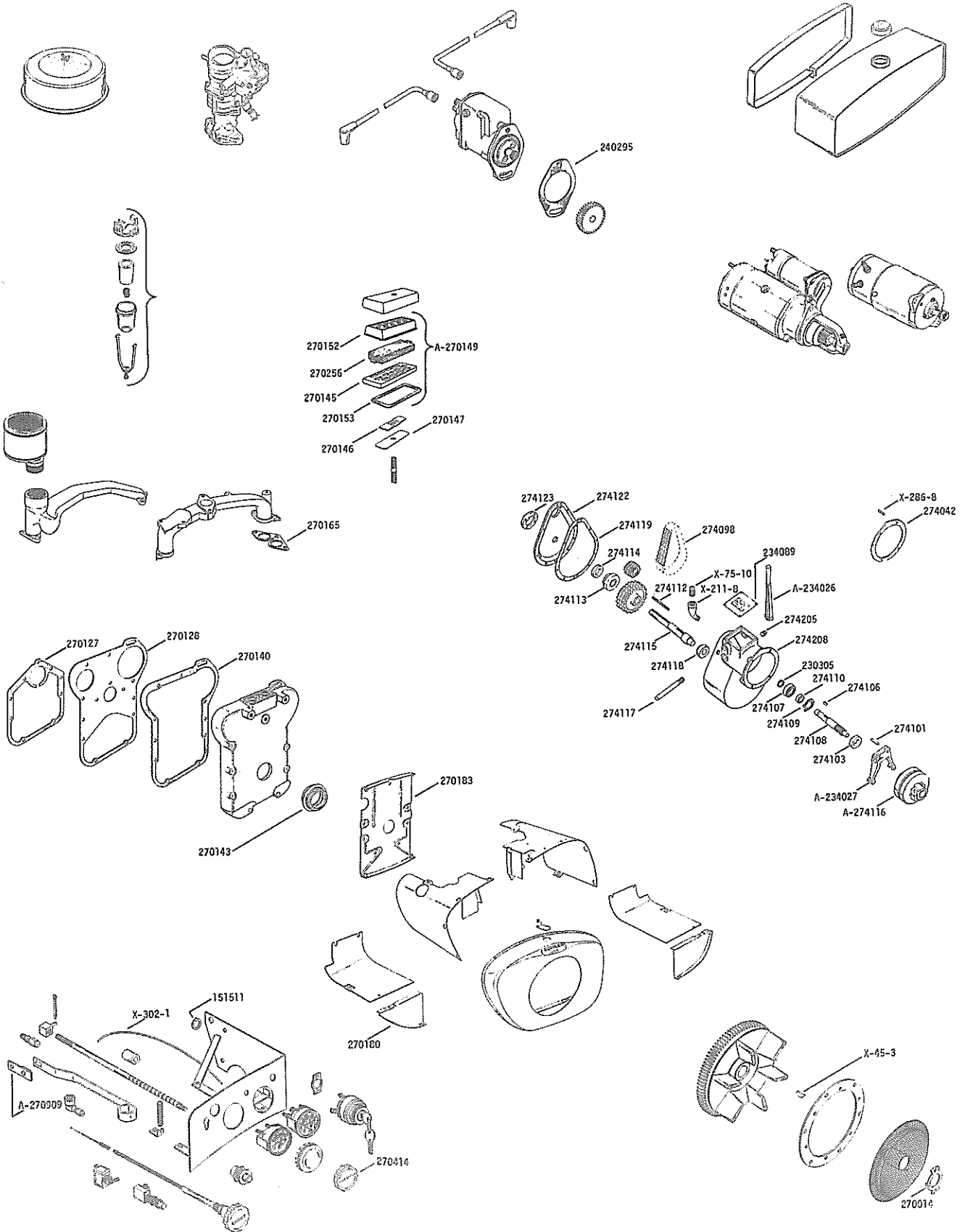
QUICK REFERENCE PARTS LIST

The following two pages contain an exploded view of the K662 engine. You will find the part numbers of common parts printed right on this exploded view. If you see the part illustrated, but no part number is shown, you must refer to the parts group pages in the manual. Numbers shown are common to all specifications.

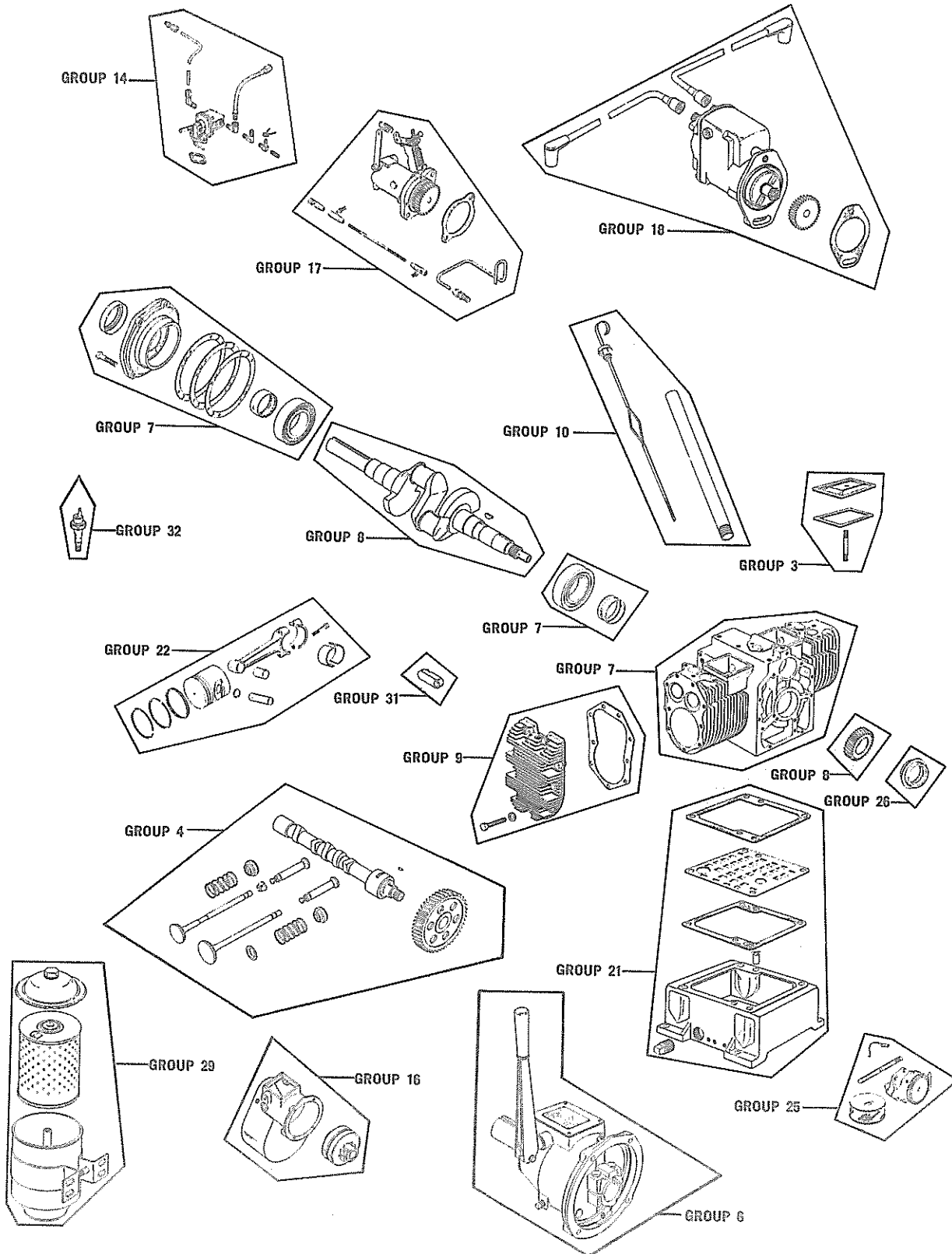
QUICK REFERENCE PARTS LIST



QUICK REFERENCE PARTS LIST



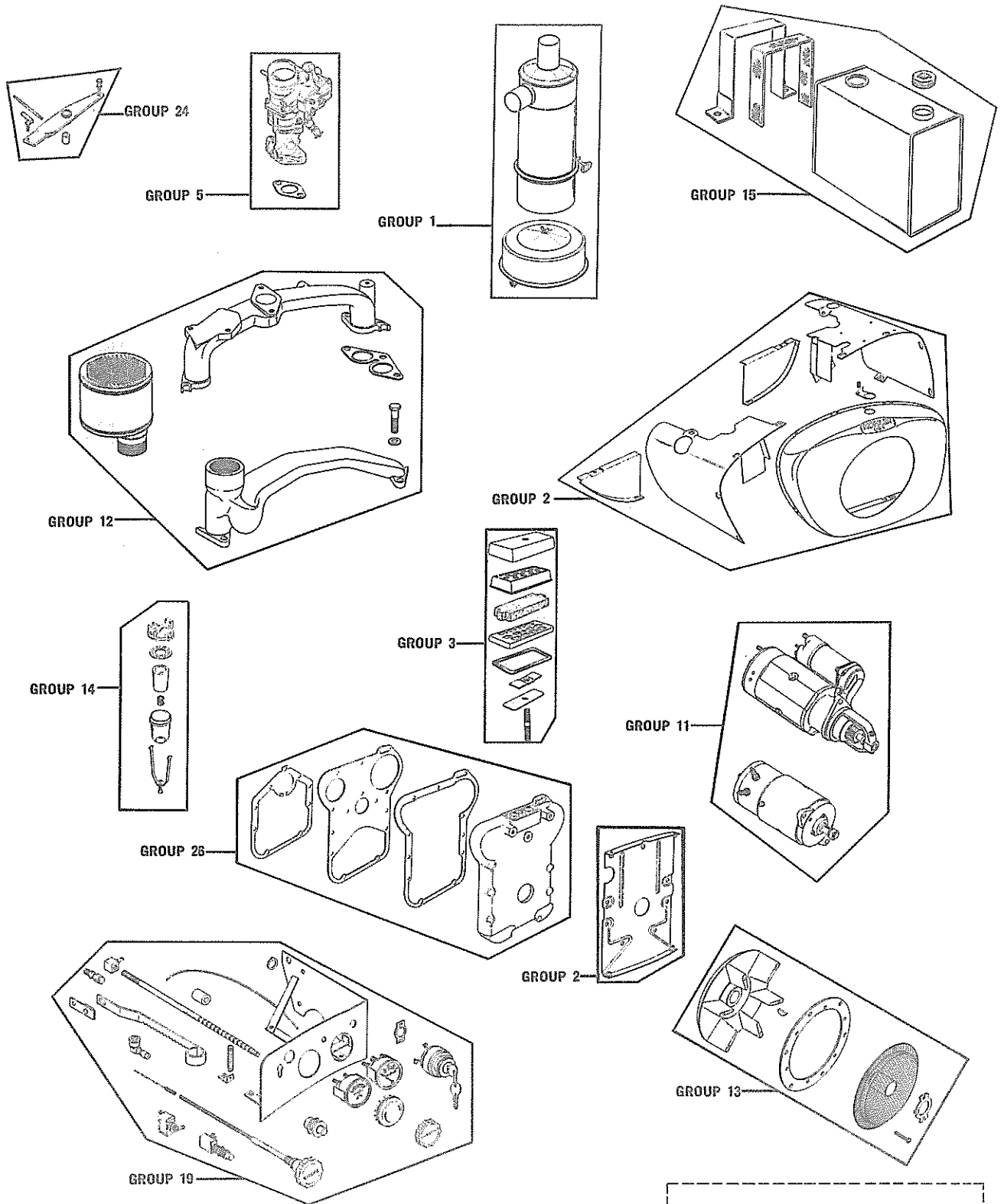
COMPOSITE EXPLODED VIEW



Grid A1

SPEC INDEX--GRID A3 →

COMPOSITE EXPLODED VIEW



GROUPS NOT SHOWN:
20 - WEATHER HOUSING
41 - SHORT BLOCK

SPEC. NO.
INDEX

Always check "Quick Reference Parts List" first - Grid G1 & G2

GRID	B8	B11	B14	C1	C2	C14	D2	D4	D4	D5	D6	D13	E1	E2	E4	E5	E6	E9	E14	F2	F3	F3	F3	F4	F4	F5	F7	F7	F9	
GROUP TITLE	AIR INTAKE	BAFFLES & SHROUD	BREATHER & VENT	CAMSHAFT & VALVES	CARBURETOR	CLUTCH	CRANKCASE	CRANKSHAFT	CYLINDER HEAD	DIPSTICK	ELECTRIC START	EXHAUST	FLYWHEEL	FUEL PUMP	FUEL TANK	GEAR REDUCTION	GOVERNOR	IGNITION	INSTRUMENT PANEL	OIL PAN	PISTON & ROD	REMOTE THROTTLE	OIL PUMP	GEAR COVER	WEATHER HOUSING	OIL FILTER	HIGH TEMP. CUTOFF	OIL PRESSURE CUTOFF	SHORT BLOCK	
Group No.	1	2	3	4	5	6	7	8	9	10	11	12	13	14	15	16	17	18	19	21	22	24	25	26	28	29	31	32	41	
SPEC. NO.	VARIATION NUMBER																													
2954	5	35	1	4	4		18	20	1	2		3	3	2		16	4		8	1		3							1	
2955	4	35	1	4	3		18	20	1	2		3	3	2		16	4		8	1		3							1	
2957	4	35	1	4	4		18	20	1	2		3	3	2		16	4		8	1		3							1	
2958	5	35	8	4	4		18	20	1	2		3	3	2		16	4		8	1		3							1	
2959	4	35	8	4	3		18	20	1	2		3	3	2		16	4		8	1		3							1	
2961	4	35	1	4	3		18	20	1	2		3	3	2		16	4		8	1		3							1	
2962	4	35	1	4	3		18	20	1	2		3	3	2		16	4		8	1		3							1	
2963	23	35	1	4	25		18	20	1	2		13	3	2		16	4		8	1		3							1	
2964	6	35	1	4	5		18	20	1	2		4	3	2		16	4		8	1		3							1	
2965	23	35	8	4	25		18	20	1	2		13	3	2		16	4		8	1		3							1	
2966	6	35	8	4	5		18	20	1	2		4	3	2		16	4		8	2		3							1	
2968	23	35	1	4	25		18	20	1	2		13	3	2		16	4		8	1		3							1	
2969	6	35	1	4	5		18	20	1	2		4	3	2		16	3		8	1		3							1	
2973	5	35	8	4	4		19	20	1	2		4	3	2		16	4	1	8	1		3							1	
2975	5	35	1	4	4		19	20	1	2		3	3	2		16	4	1	8	1		3							1	
2978	23	35	1	4	25		18	20	1	2		13	3	2		16	4		8	1		3							1	
2979	6	35	1	4	5		18	20	1	2		4	3	2		16	4		8	1		3							1	
2982	6	35	1	4	5		18	20	1	2		4	3	2		16	4		8	1		3							1	
2983	4	35	1	4	3		18	20	1	2		3	3	2		16	4		8	1		3							1	
2986	4	35	1	4	3		18	20	1	2		3	3	2		16	4		8	1		3							1	
2987	4	35	1	4	3		18	20	1	2		3	3	2		16	4		8	1		3							1	
2989	4	35	1	4	3		18	20	1	2		3	3	2		16	4		8	1		3							1	
2990	4	35	1	4	3		18	20	1	2		3	3	2		16	4		8	1		3							1	
2991	4	35	1	4	3		18	20	1	2		3	3	2		16	4		8	1		3							1	
2992	4	35	1	4	3		18	20	1	2		3	3	2		16	4		8	1		3							1	
2993	5	35	1	4	4		19	20	1	2		3	3	2		16	4	1	8	1		3							1	
2998	4	35	1	4	3		18	20	1	2		3	3	2		16	4		8	1		3							1	
2999	4	36	8	4	3		18	20	1	2		3	5	2		16	4		8	2		3							1	
3012	4	36	1	4	3		18	20	1	2		3	5	2		16	4		8	1		3							1	
3015	6	35	1	4	5		18	20	1	2		4	3	2		16	4		8	1		3							1	
3017	23	35	1	4	25		18	20	1	2		13	3	2		16	4		8	1		3							1	
3018	4	36	1	4	3		18	20	1	2		3	5	2		16	4		8	1		3							1	
3022	4	36	1	4	3		18	20	1	2		3	5	2		16	4		8	1		3							1	
3023	4	35	1	4	3		18	20	1	2		3	3	2		16	4		8	1		3							1	
3026	23	35	1	4	25		18	20	1	2		13	3	2		16	4		8	1		3							1	
3027	5	35	1	4	4		19	20	1	2		3	3	2		16	3	1	8	1		3							1	
3029	6	35	1	4	5		18	20	1	2		4	3	2		16	4		8	1		3							1	
#3301	26	21	1	2	27	3	1	500	1	1		1	60	100		1	1	7	1	1	2	1	1	1	1	1	1	2	2	
3302	1	1	1	2	1		2	4	1	1		1	1	1		1	1	1	1	1	1	1	1	1	1	1	1	1	2	
3304	26	19	1	2	27		2	1	1	1	65	1	44	1		1	1	8	1	1	2	1	1	1	1	1	1	2	2	
3305	2	19	1	2	2	3	2	4	1	1	6	1	17	1		1	1	8	1	2		1	1	1	1	1	1	1	1	
3311	2	2	1	2	2		1	1	1	1	1	3	2	1		1	1	8	1	2		1	1	1	1	1	1	2	2	
3319	1	2	1	2	1		1	1	1	1	1	1	2	1		1	1	2	1	1	1	1	1	1	1	1	1	2	2	
3321	1	1	1	2	1		500	1	1	1	1	1	1	1		1	1	1	1	1	1	1	1	1	1	1	1	1	2	
3327	1	19	1	2	2		1	3	1	1	51	1	45	1		1	1	8	1	2		1	1	1	1	1	1	2	2	
3328	1	1	1	2	1	3	2	4	1	1		1	1	1		1	1	1	1	2		1	1	1	1	1	1	1	1	
3345	14	21	1	2	7		1	500	1	1		2	18	2	3	1	1	13	1	2		1	1	1	1	1	1	2	2	
#3347	26	21	1	2	27	1	3	501	1	1		1	60	1		1	1	7	1	1	2	1	1	1	1	1	1	1	2	
3348	26	19	1	2	27		3	4	1	1	65	1	44	1		1	1	8	1	1	2	1	1	1	1	1	1	1	2	
3357	2	21	1	2	2		1	500	1	1		1	18	100	1	1	1	7	1	1	2	1	1	1	1	1	1	1	2	
3360	15	1	1	2	1		13	15	1	3		500	1	2		1	2	3	1	1	1	1	1	1	2	2			2	
3365	200	1	1	2	1		1	500	1	1		1	1	1		99	1	200	1	1	1	1	1	1	1	1	1	1	2	
3369	26	21	1	2	27		1	502	1	2		1	60	100		1	3	1	7	2	2	2	2	2	2	2	2	2	2	
3370	2	21	1	2	2	1	3	501	1	1		1	18	100	2	1	1	7	1	1	1	1	1	1	1	1	1	1	2	
3371	2	24	1	2	2		1	501	1	1	66	1	44	100		1	1	10	1	1	2	1	1	1	3			2	2	
3379	2	6	1	2	2		1	500	1	1		1	7	100		1	1	7	1	2		1	1	1	1	1	1	1	2	
3383	2	19	1	2	2		1	1	1	1	65	1	44	1	2	3	1	1	8	1	2	2	2	2	2	2	2	2	2	
3390	14	19	1	2	7	1	3	4	1	1		1	17	2		1	1	14	1	1	2	2	2	2	3			2	2	
3393	2	2	1	2	2		1	1	1	1		1	2	1		2	2	1	9	1	1	1	1	1	1	1	1	1	2	
3395	2	14	1	2	2		1	1	1	1		1	4	1		2	1	8	1	1	1	1	1	1	1	1	1	1	2	

*Accessories: See back of Manual--Grid B4
#Waste Engine

Limited Production: See back of Manual--Grid B5
Gasket Set: See back of Manual--Grid B6 B7
Special Parts List: See back of Manual--Grid F9

SPEC. NO. INDEX

Always check "Quick Reference Parts List" first - Grid G1 & G2

GRID	B6	B11	B14	C1	C2	C14	D2	D4	D4	D5	D6	D13	E1	E2	E4	E5	E6	E8	E14	F2	F3	F3	F3	F4	F5	F7	F7	F8				
GROUP TITLE	AIR INTAKE	BAFFLES & SHROUD	BREATHER & VENT	CAMSHAFT & VALVES	CARBURETOR	CLUTCH	CRANKCASE	CRANKSHAFT	CYLINDER HEAD	DIPSTICK	ELECTRIC START	EXHAUST	FLYWHEEL	FUEL PUMP	FUEL TANK	GEAR REDUCTION	GOVERNOR	IGNITION	INSTRUMENT PANEL	OIL PAN	PISTON & ROD	REMOTE THROTTLE	OIL PUMP	GEAR COVER	WEATHER HOUSING	OIL FILTER	HIGH TEMP. CUTOUT	OIL PRESSURE CUTOUT	SHORT BLOCK			
Group No.	1	2	3	4	5	6	7	8	9	10	11	12	13	14	15	16	17	18	19	21	22	24	25	26	28	29	31	32	41			
SPEC. NO.	VARIATION NUMBER																															
3914		24	8	3	56		1	1		7	64	16	48	4			26	15		1	2											
3920		41	8	3	39		35	1		19	56	3	47	4			23	15		1	2											
3921	205	24	8	3	45		35	27		19	52	12	50	4			23	15		1	2											
3922	204	24	1	3	20		1	1	4	2	52	503	44	14			29	1	54	1	2											
3926		24	8	3	39		35	27		20	52	12	46	4			23	15		1	2											
3927	206	24	8	3	45		1	31	4	19	52	3	44	100			23	15	82	1	2											
3928		47	8	3	41		1	1		101	303	3	101	18			25	21	213	1	6											
3930		61	4	7	26		7	26		11	52	8	52	4			9	25		1	2											
3931		24	8	7	10		1	29		19	52	22	44	108			39	24		1	2											
3932	21	34	1	2	20		1	1		1	81	37	44	8			39	1	38	1	2											
3933		65	8	3	45		35	27		20	56	12	46	4			23	15		1	2											
3934		41	8	3	56		1	1		7	64	16	47	4			26	15		1	2											
3935		65	1	3	45		200	27		20	56	12	49	4			23	15	215	1	4											
3938		61	4	8	57		32	26		11	52	8	56	4			32	29		1	2											
3939		61	4	8	58		32	26	3	12	52	8	56	4			32	31		1	2											
3944		78	4	8	58		32	26	3	12	52	8	59	4			32	31		1	2											
3945		62	8	3	65		28	22		18	94	15	47	24			34	15		11	2											
3947		81	1	9	20		1	41		18	73	3	64	14			35	32	209	2	6											
3948		81	13	2	78		40	41		18	73	3	67	14			35	15	209	2	6											
3950	37	81	1	10	68		39	1		18	61	3	63	26			27	32	214	2	6											
3955	57	34	13	2	78		39	1		18	91	38	48	4			39	15		21	6											
3957	37	81	99	2	83		1	1		26	58	11	44	25			40	15	216	1	6											
3959		92	99	3	83		40	41		18	73	3	67	4			39	15	209	21	6											
3960		92	14	3	73		40	41		18	73	3	67	4			42	26	209	21	7											
3962	207	86	1	2	20		39	42		18	67	12	48	25			9	15	217	2	6											
3966		90	99	3	83		40	41		18	90	3	69	4			39	15	211	21	7											
3970	21	91	1	2	20		1	1		1	81	37	47	8			39	1	38	1	2											
3971		90	14	3	73		40	41		18	90	3	69	4			42	26	211	21	7											
3973	57	94	13	2	78		39	1		18	93	38	48	4			39	15		21	6											
3974		96	8	3	56		43	1		7	97	16	47	4			26	15		1	2											
3975	206	96	8	3	45		1	1	4	19	94	3	47	102			23	15	82	1	2											
3976	21	94	1	2	20		1	1		1	101	37	44	8			39	1	38	1	2											
3977		97	8	3	56		43	23		7	97	43	48	4			26	15		1	2											
3978	206	97	8	3	45		1	31	4	19	94	3	44	102			23	15	82	1	2											
3980		65	1	3	45		200	27		20	106	12	49	4			23	15	215	1	4											
3981		93	1	2	20		1	1		18	302	41	70	103			39	1	100	1	2											
3985		107	1	2	20		1	1		18	302	3	70	3			1	15		1	6											
3990	21	103	1	2	95		1	1		1	112	11	70	8			39	1	106	1	2											
3993	21	103	1	2	95		1	1		18	110	12	74	3			40	1	207	1	2											
3995		96	8	3	56		43	1		7	97	45	47	4			26	15		1	2											
3998	37	102	1	2	95		1	1		1	302	11	70	8			39	1	106	1	2											
39103		103	1	2	95		1	1		18	112	12	70	8			39	1	106	1	2											

*Accessories: See back of Manual--Grid B4
 #Basic Engine

Limited Production: See back of Manual--Grid B5
 Gasket Set: See back of Manual--Grid B6 B7
 Special Parts List: See back of Manual--Grid F9

GENERATOR SET SPECIFICATIONS ON FOLLOWING PAGES--GRID A7

GENERATOR SET SPEC. NO. INDEX

GRID	B0	B1	B10	C1	C2	D2	D3	D4	D5	D6	D7	E1	E2	E3	E4	F2	F3	F4	F5	F6	F7	F8		
GROUP TITLE	AIR INTAKE	BAFFLES & SHROUD	BREATHER & VENT	CAMSHAFT & VALVES	CARBURETOR	CRANKCASE	CRANKSHAFT	CYLINDER HEAD	DIPSTICK	ELECTRIC START	EXHAUST	FLYWHEEL	FUEL PUMP	GOVERNOR	IGNITION	INSTRUMENT PANEL	OIL PAN	PISTON & ROD	OIL PUMP	GEAR COVER	HEATER HOUSING	OIL FILTER	OIL PRESSURE CUTOUT	SHORT BLOCK
Group No.	1	2	3	4	5	7	8	9	10	11	12	13	14	17	18	19	21	22	25	26	28	29	32	41
SPEC. NO.	VARIATION NUMBER																							
4500A	4	13	8	2	53	7	7	1	2			54	2	4	4									1
4501A	100	500	8	2	53	100	7	1	2		102	300	2	4	4	500	3	2	9	1				1
4502A	4	13	8	2	53	7	7	1	2		3	54	2	4	4									1
4502B	4	13	8	2	53	7	7	1	2		3	54	2	4	4									1
4502C	4	13	8	2	53	7	7	1	2		3	54	2	4	4									1
4503A	4	13	8	2	53	7	7	1	2		3	54	2	4	4									1
4504A	6	13	8	2	26	7	7	1	2		4	54	2	4	4									1
4505A	6	13	8	2	5	7	7	1	2		4	54	2	4	8									1
4506A	4	13	8	2	53	7	7	1	2		3	54	2	4	4									1
4506B	4	13	8	2	53	7	7	1	2		3	54	2	4	4									1
4506C	4	13	8	2	53	7	7	1	2		3	54	2	4	4									1
4507A	40	13	8	2	54	8	7	1	2		3	54	200	4	4	15	3	2	9	1				1
4508A	6	13	8	2	79	7	7	1	2		4	54	2	4	8									1
4509A	6	13	8	2	26	7	7	1	2		4	54	2	4	8									1
4510A	6	13	8	2	79	7	7	1	2		4	54	2	4	8									1
4510B	6	13	8	2	5	7	7	1	2		4	54	2	4	8									1
4510C	6	13	8	2	79	7	7	1	2		4	54	2	4	8									1
4511A	6	13	8	2	79	7	7	1	2		4	54	2	4	8									1
4512A	40	13	8	2	54	8	7	1	2		3	54	200	4	4	15	3	2	9	1				1
4513A	6	13	8	2	26	7	7	1	2		4	54	2	4	8									1
4514A	6	46	8	2	79	7	7	1	2		4	31	2	4	8									1
4515A	4	13	8	2	53	7	7	1	2		3	54	2	4	4									1
4516A	5	8	1	2	4	8	7	1	2	1	3	6	1	4	5	18	2	1	1	2				1
4517A	6	74	8	2	5	7	7	1	2		4	31	2	4	8									1
4518A	4	74	8	2	53	7	7	1	2		3	31	2	4	4									1
4519A	4	74	8	2	3	7	7	1	2		3	31	2	4	4									1
4520A	4	74	8	2	53	7	7	1	2		3	31	2	4	4									1
4521A	6	13	8	2	79	7	7	1	2		4	54	2	4	8									1
4521B	6	13	8	2	5	7	7	1	2		4	54	2	4	8									1
4521C	6	13	8	2	79	7	7	1	2		4	54	2	4	8									1
4522A	40	13	8	2	54	8	7	1	2		3	54	200	4	4	15	3	2	9	1				1
4523A	40	13	8	2	54	8	7	1	2		3	54	200	38	4	15	3	2	9	1				1
4524A	4	13	8	2	53	7	7	1	2		3	54	2	38	4									1
4525A	5	13	1	2	54	8	7	1	2		3	54	203	5	4	22	3	2	1	1				1
4526A	4	74	8	2	53	7	7	1	2		3	31	2	4	4									1
4527A	4	74	8	2	53	7	7	1	2		3	31	2	4	4									1
4528A	6	13	8	2	79	7	7	1	2		4	54	2	4	8									1
4529A	4	74	8	2	53	7	7	1	2		3	31	2	4	4									1
4530A	6	46	8	2	79	7	7	1	2		4	31	2	4	8									1
4531A	4	13	8	2	53	7	7	1	2		3	54	2	4	4									1
4532A	4	13	8	2	53	7	7	1	2		3	54	2	4	4									1
4533A	4	13	8	2	53	7	7	1	2		3	54	2	4	4									1
4534A	4	13	8	2	53	7	7	1	2		3	54	2	4	4									1
4535A	6	74	8	2	5	7	7	1	2		4	31	2	4	8									1
4536A	6	46	8	2	79	7	7	1	2		4	31	2	4	8									1
4537A	40	13	8	2	54	8	7	1	2		3	54	200	4	4	15	3	2	9	1				1
4538A	4	74	8	2	3	7	7	1	2		3	31	2	4	4									1
4539A	6	46	8	2	79	7	7	1	2		4	31	2	4	8									1
4540A	40	56	8	2	54	7	7	1	2		3	65	2	4	4									1
4541A	6	13	1	2	11	8	7	1	2		4	54	201	4	14	15	3	4	1	1				1
4542A	6	13	8	2	26	7	7	1	2		4	54	2	4	8									1
4543A	6	13	8	2	11	8	7	1	2		4	54	201	4	14	15	3	4	1	1				1
4544A	4	13	8	2	53	7	7	1	2		3	54	2	4	4									1
4545A	6	74	8	2	26	7	7	1	2		4	31	2	4	8									1
4546A	4	7	1	2	3	12	7	1	2		3	5	2	4	4							3		1
4547A	5	13	1	2	54	8	7	1	2		3	54	203	5	4	22	3	2	1	1				1
4548A	4	2	1	2	3	12	7	1	2		3	5	2	4	4									1
4549A	6	7	1	2	5	12	7	1	2		4	5	2	4	8									1
4550A	6	46	8	2	79	7	7	1	2		4	31	2	4	8									1
4550B	6	74	8	2	5	7	7	1	2		4	31	2	4	8									1

GENERATOR SET SPEC. NO. INDEX

GRID	B8	B11	B14	C1	C2	D2	D4	D8	D5	D6	D10	E1	E2	E6	E8	E14	F2	F3	F7	F4	F5	F7	F8	
	AIR INTAKE	BAFFLES & SHROUD	BREATHER & VENT	CAMSHAFT & VALVES	CARBURETOR	CRANKCASE	CRANKSHAFT	CYLINDER HEAD	DIPSTICK	ELECTRIC START	EXHAUST	FLYWHEEL	FUEL PUMP	GOVERNOR	IGNITION	INSTRUMENT PANEL	OIL PAN	PISTON & ROD	OIL PUMP	GEAR COVER	WEATHER HOUSING	OIL FILTER	OIL PRESSURE CUTOUT	SHORT BLOCK
Group No.	1	2	3	4	5	7	8	9	10	11	12	13	14	17	18	19	21	22	23	26	28	29	30	41
SPEC. NO.	VARIATION NUMBER																							
4550C	6	74	8	2	5	7	7	1	2		4	31	2	4	8		3	4	1	1			1	
4551A	4	74	8	2	3	7	7	1	2		4	31	2	4	4		4	2	1	1			1	
4552A	5	82	8	2	4	7	7	1	2		3	65	5	4	5		3	1	1	1			1	
4553A	4	7	8	2	15	14	7	1	2		4	5	4	4	8		3	1	1	1		4	1	
4554A	4	74	8	2	53	7	7	1	2		3	31	1	4	4		4	2	9	1			1	
4555A	6	74	8	2	26	7	7	1	2		4	31	2	4	8		3	4	1	1			1	
4556A	6	13	8	2	79	7	7	1	2		4	54	2	4	8		3	4	1	1			1	
4557A	7	7	1	2	3	14	7	1	2		4	27	2	4	8		3	1	1	1			1	
4558A	25	32	1	3	19	16	7	1	4		10	27	4	15	17		9	3	1	1		6	1	
4559A	4	74	8	2	53	7	7	1	2		3	31	2	4	4		3	2	9	1			1	
4560A	4	4	1	2	3	7	7	1	2		3	23	2	4	4		3	1	1	1			1	
4561A	6	74	8	2	26	7	7	1	2		4	31	2	4	8		3	4	1	1			1	
4562A	25	32	8	3	3	16	7	1	4		10	27	4	15	20		9	2	1	1		6	1	
4563A	4	74	8	2	53	7	7	1	2		3	31	2	4	4		3	2	9	1			1	
4563B	4	74	8	2	53	7	7	1	2		3	31	2	4	4		3	2	9	1			1	
4563C	4	74	8	2	3	7	7	1	2		3	31	2	4	4		3	2	1	1			1	
4564A	4	74	8	2	53	7	7	1	2		3	31	2	4	4		3	2	1	1			1	
4565A	21	16	8	2	20	14	7	1	4		12	38	4	4	4		9	1	1	1		4	1	
4566A	25	40	1	3	3	16	7	1	4		10	31	11	15	20		9	1	1	1		6	1	
4568A	25	40	1	3	3	16	7	1	4		10	31	11	15	20		9	1	1	1		6	1	
4570B	101	40	8	3	30	16	7	1	19		99	31	4	15	17		9	4	1	1		6	1	
4571A	4	74	8	2	53	7	7	1	2		3	31	2	4	4		3	2	9	1			1	
4571B	4	74	8	2	53	7	7	1	2		3	31	2	4	4		3	2	9	1			1	
4571C	4	74	8	2	53	7	7	1	2		3	31	2	4	4		3	2	9	1			1	
4572A	4	74	8	2	53	7	7	1	2		3	31	2	4	4		3	2	9	1			1	
4573A	31	40	8	3	53	16	7	1	19		3	31	11	15	27		9	4	1	1		6	1	
4573B	103	40	8	3	53	16	7	1	19		99	31	11	15	27		9	4	1	1		6	1	
4574A	4	13	8	2	3	7	7	1	2		3	54	2	4	4		3	4	1	1			1	
4575A	4	74	8	2	3	7	7	1	2		3	31	2	4	4		4	2	1	1			1	
4576A	6	13	1	2	11	8	7	1	2		4	53	20	4	14	15		3	4	1	1		1	
4577A	31	40	8	3	3	16	7	1	9		10	31	1	15	20		9	2	1	1		7	1	
4578A	4	74	8	2	3	7	7	1	2		3	31	2	4	4		4	2	9	1			1	
4580A	4	74	8	2	53	7	7	1	2		3	31	2	4	4		3	2	1	1			1	
4581A	5	82	8	2	4	7	7	1	2		3	65	2	4	5		4	2	1	1			1	
4582A	4	74	8	2	3	7	7	1	2		3	31	2	4	4		3	2	1	1			1	
4583A	4	13	8	2	53	7	7	1	2		3	54	2	4	4		3	2	9	1			1	
4585A	31	40	8	3	3	16	7	1	9		10	31	1	15	20		9	2	1	1		7	1	
4588A	4	74	8	2	53	7	7	1	2		3	31	1	4	8		14	4	1	1			1	
4589A	6	74	8	2	5	7	7	1	2		4	31	2	4	4		4	4	1	1			1	
4590A	4	74	8	2	3	7	7	1	2		3	31	2	4	4		4	2	1	1			1	
4591A	6	74	8	2	5	7	7	1	2		4	31	2	4	8		4	4	1	1			1	
4592A	4	74	8	2	53	7	7	1	2		3	31	2	38	4		4	2	9	1			1	
4593A	30	55	8	2	40	7	7	1	2		18	3	4	15	8		3	4	1	1			1	
4594A	6	74	8	2	5	7	7	1	2		4	31	2	4	8		14	4	1	1			1	
4595A	30	46	8	3	30	16	7	1	19		10	31	4	15	17		9	4	1	1		7	1	
4596A	30	46	8	3	30	16	7	1	19		10	31	4	15	17		9	4	1	1		7	1	
4597A	4	74	8	2	3	7	7	1	2		3	31	2	4	4		4	2	9	1			1	
4598A	4	74	8	2	53	7	7	1	2		3	31	1	4	8		3	4	1	1			1	
4599A	6	74	8	2	5	7	7	1	2		4	31	2	4	8		4	4	1	1			1	
45100A	5	82	8	2	4	7	7	1	2		3	65	2	4	5		4	2	1	1			1	
45101A	6	74	8	2	5	7	7	1	2		4	31	2	4	8		3	4	1	1			1	
45101B	6	74	8	2	5	7	7	1	2		4	31	2	4	8		3	4	1	1			1	
45101C	6	74	8	2	5	7	7	1	2		4	31	2	4	8		3	4	1	1			1	
45103A	31	4	8	2	3	7	7	1	6		4	54	2	4	20		9	4	2	1		7	1	
45104A	4	13	8	2	53	7	7	1	2		3	54	2	4	4		3	2	9	1			1	
45105A	4	13	8	2	53	7	7	1	2		3	54	2	4	4		3	2	9	1			1	
45106A	30	72	8	3	30	16	7	1	19		10	31	4	15	17		9	4	1	1		8	1	
45107A	31	46	8	3	3	16	7	1	19		4	31	1	15	20		9	2	1	1			1	
45108A	6	46	8	2	79	7	7	1	2		3	31	2	4	8		3	4	1	1			1	
45109A	36	57	8	3	42	7	7	1	19		21	31	17	28	23		1	2	1	1		7	1	

GENERATOR SET SPEC. NO. INDEX

GRID	B0	B1	B4	C1	C2	D2	D4	D4	D5	D6	D13	E1	E2	E6	E9	E14	F2	F3	F4	F5	F6	F7	F8	
	AIR INTAKE	BAFFLES & SHROUD	BREATHER & VENT	CANSHAFT & VALVES	CARBURETOR	CRANKCASE	CRANKSHAFT	CYLINDER HEAD	DIPSTICK	ELECTRIC START	EXHAUST	FLYWHEEL	FUEL PUMP	GOVERNOR	IGNITION	INSTRUMENT PANEL	OIL PAN	PISTON & ROD	OIL PUMP	GEAR COVER	WEATHER HOUSING	OIL FILTER	OIL PRESSURE CUTOFF	SHORT BLOCK
Group No.	1	2	3	4	5	7	8	9	10	11	12	13	14	17	18	19	21	22	23	26	25	29	32	41
SPEC. NO.	VARIATION NUMBER																							
45110A	4	13	8	2	53	7	7	1	2		3	54	2	4	4		3	2	9	1				1
45111A	31	72	8	3	3	16	7	1	19		10	31	2	4	15	20	9	2	1	1		8		1
45112A	31	13	8	2	53	7	7	1	19		3	54	2	4	4	20	9	2	1	1		7		1
45112B	31	13	8	2	53	7	7	1	19		3	54	2	4	4	20	9	2	1	1		7		1
45113A	31	71	8	3	3	16	7	1	9		10	31	2	2	15	20	9	2	1	1		7		1
45113B		71	8	3	53	16	7	1	19		99	31	2	4	20		9	2	9	1		7		1
45114A	36	57	8	3	42	7	7	1	19		21	31	17	28	23		1	2	1	1		7		1
45115A	31	71	8	3	3	16	7	1	9		10	31	2	2	15	20	9	2	1	1		7		1
45115B		71	8	3	53	16	7	1	19		3	31	2	4	20		9	2	1	1		7		1
45116A		71	8	3	53	16	7	1	19		3	31	2	4	20		9	2	1	1		7		1
45116B		71	8	3	53	16	7	1	19		99	31	2	4	20		9	2	9	1		7		1
45117A	36	57	8	3	42	7	7	1	19		21	31	17	28	23		1	2	1	1		7		1
45117B	36	57	8	3	42	7	7	1	19		21	31	17	28	23		1	2	1	1		7		1
45118A	4	60	8	2	3	7	7	1	2		10	31	2	4	4		3	2	1	1		7		1
45119A	6	13	1	2	11	8	7	1	2		4	54	20	4	14	15	3	2	1	1		7		1
45120A	36	74	8	2	42	7	7	1	3		8	31	4	23	4		3	2	1	1		7		1
45121A	4	13	8	2	53	7	7	1	2		3	54	2	4	4		3	2	1	1		7		1
45122A	6	46	8	2	79	7	7	1	2		4	4	2	4	8		3	2	1	1		7		1
45123A	30	46	8	3	30	16	7	1	19		10	31	4	15	17		9	4	1	1		7		1
45123B	30	46	8	3	30	16	7	1	19		10	31	4	15	17		9	4	1	1		7		1
45124A	31	72	8	3	3	16	7	1	19		10	31	4	15	20		9	2	1	1		8		1
45125A	4	74	8	2	53	7	7	1	2		3	31	2	4	4		3	2	1	1		8		1
45126A	4	74	8	2	53	7	7	1	2		3	31	2	4	4		3	2	1	1		8		1
45127A	30	72	8	3	30	16	7	1	19		10	31	4	15	17		9	4	1	1		8		1
45129A	6	74	8	2	5	7	7	1	2		4	31	2	4	8		4	4	1	1		8		1
45130A	31	71	8	3	3	16	7	1	9		10	31	2	15	20		9	2	1	1		7		1
45132A	30	73	8	2	60	7	7	1	2		18	38	4	15	26		3	4	1	1		7		1
45133A	40	13	8	2	54	8	7	1	2		3	54	200	4	4		3	2	1	1		7		1
45134A	40	56	8	2	54	7	7	1	2		3	65	2	4	4		3	2	1	1		7		1
45135A	5	77	1	2	11	8	7	1	2		4	62	200	4	14	15	3	4	1	1		7		1
45136A	36	57	8	3	42	7	7	1	19		3	31	17	28	23		1	2	1	1		7		1
45136B	36	57	8	3	42	7	7	1	19		10	31	17	28	23		1	2	1	1		7		1
45138A	4	13	8	2	53	7	7	1	2		3	54	2	4	4		3	2	1	1		7		1
45138C	4	13	8	2	53	7	7	1	2		3	54	2	4	4		3	2	1	1		7		1
45139A	6	13	8	2	26	7	7	1	2		4	54	2	4	8		3	4	1	1		7		1
45140A	40	13	8	2	54	8	7	1	2		3	54	200	4	4		15	3	2	1		7		1
45141A	4	13	8	2	53	7	7	1	2		3	54	2	4	4		3	2	1	1		7		1
45141C	4	13	8	2	53	7	7	1	2		3	54	2	4	4		3	2	1	1		7		1
45142A	4	74	8	2	53	7	7	1	2		3	31	2	4	4		3	2	1	1		7		1
45142C	4	74	8	2	53	7	7	1	2		3	31	2	4	4		3	2	1	1		7		1
45143A	36	13	8	3	42	7	7	1	19		21	54	17	28	23		1	2	1	1		7		1
45144A	4	74	8	2	53	7	7	1	2		3	31	2	4	4		3	2	1	1		7		1
45145A	30	46	8	3	30	16	7	1	19		10	31	4	15	17		9	4	1	1		7		1
45145B	30	46	8	3	30	16	7	1	19		10	31	4	15	17		9	4	1	1		7		1
45146A	31	79	8	3	53	16	7	1	19		30	31	4	37	20		9	2	1	1		8		1
45147A	31	79	8	3	53	16	7	1	19		30	31	4	37	20		9	2	1	1		8		1
45147B	31	79	8	3	53	16	7	1	19		30	31	4	37	20		9	2	1	1		8		1
45148A	30	79	8	3	30	16	7	1	19		30	31	4	37	17		9	4	1	1		8		1
45148B	30	79	8	3	30	16	7	1	19		30	31	4	37	17		9	4	1	1		8		1
45149A	6	74	8	2	5	7	7	1	2		4	31	2	4	8		3	4	1	1		8		1
45149C	6	46	8	2	79	7	7	1	2		4	31	2	4	8		3	4	1	1		8		1
45150A	4	13	8	2	53	7	7	1	2		3	54	2	4	4		3	2	1	1		7		1
45151A	4	74	8	2	53	7	7	1	2		3	31	2	4	4		3	2	1	1		7		1
45152A	4	13	8	2	53	7	7	1	2		3	54	2	4	4		3	2	1	1		7		1
45153A	4	74	8	2	53	7	7	1	2		3	31	2	4	4		3	2	1	1		7		1
45153C	4	74	8	2	53	7	7	1	2		3	31	2	4	4		3	2	1	1		7		1
45154A	6	13	8	2	79	7	7	1	2		4	54	2	4	8		3	4	1	1		8		1
45155A	4	13	8	2	53	7	7	1	2		3	54	2	4	4		3	2	1	1		7		1
45155C	4	13	8	2	53	7	7	1	2		3	54	2	4	4		3	2	1	1		7		1
45156A	40	13	8	2	54	8	7	1	2		3	54	200	4	4		15	3	2	1		7		1

GENERATOR SET SPEC. NO. INDEX

GRID	B0	B11	B14	C1	C2	D2	D3	D4	D5	D6	D13	E1	E2	E3	E9	E14	F1	F3	F5	F4	F4	F5	F7	F8
	AIR INTAKE	BAFFLES & SHROUD	BREATHER & VENT	CAMSHAFT & VALVES	CARBURETOR	CRANKCASE	CRANKSHAFT	CYLINDER HEAD	DIPSTICK	ELECTRIC START	EXHAUST	FLYWHEEL	FUEL PUMP	GOVERNOR	IGNITION	INSTRUMENT PANEL	OIL PAN	PISTON & ROD	OIL PUMP	GEAR COVER	WEATHER HOUSING	OIL FILTER	OIL PRESSURE CUTOUT	SHORT BLOCK
Group No.	1	2	3	4	5	7	8	9	10	11	12	13	14	17	18	19	21	22	25	26	28	29	32	41
SPEC. NO.	VARIATION NUMBER																							
45157A	6	13	8	2	26	7	7	1	2		4	54	2	4	8		3	4	9	1				1
45157C	6	13	8	2	5	7	7	1	2		4	54	2	4	8		3	4	9	1				1
45158A	6	46	8	2	79	7	7	1	2		4	31	2	4	8		3	4	9	1				1
45159A	4	74	8	2	74	7	7	1	2		3	31	2	4	4		3	3	2	9	1			1
45160A	30	73	8	2	60	7	7	1	2		18	38	4	15	26		3	4	1	1				1
45160B	30	73	8	2	60	7	7	1	2		18	38	4	15	26		3	4	1	1				1
45160C	30	73	8	2	60	7	7	1	2		18	38	4	15	26		3	4	1	1				1
45161A	6	46	8	2	79	7	7	1	2		4	31	2	4	8		3	3	4	9	1			1
45162A	40	13	8	2	54	8	7	1	2		3	31	200	4	4	15	15	3	3	2	9	1		1
45163A	30	73	8	2	69	7	7	1	2		18	54	4	15	26		3	4	1	1				1
45163C	30	73	8	2	69	7	7	1	2		18	38	4	15	26		3	4	1	1				1
45164A	4	74	8	2	53	7	7	1	2		3	31	1	4	4		4	2	9	1				1
45165A	6	74	8	2	5	7	7	1	2		4	31	2	4	8		3	3	4	1	1			1
45165C	6	74	8	2	5	7	7	1	2		4	31	2	4	8		3	3	4	1	1			1
45166A	6	13	1	2	11	8	7	1	2		4	54	201	4	14	15	3	4	1	1				1
45167A	4	13	8	2	53	7	7	1	2		3	54	2	4	4		3	2	9	1				1
45167C	4	13	8	2	53	7	7	1	2		3	54	2	4	4		3	2	9	1				1
45168A	6	13	8	2	5	7	7	1	2		4	54	2	4	8		3	4	1	1				1
45168C	6	13	8	2	79	7	7	1	2		4	54	2	4	8		3	4	9	1				1
45169B	6	57	8	3	42	7	7	1	19		3	31	17	28	23		1	2	9	1		7		1
45169C	36	57	8	3	42	7	7	1	19		21	31	17	28	23		1	2	9	1		7		1
45170A	40	13	8	2	54	8	7	1	2		3	54	200	4	4	15	15	3	2	9	1			1
45171A	4	13	8	2	53	7	7	1	2		3	54	2	4	4		3	2	9	1				1
45172A	30	46	8	3	30	16	7	1	19		10	31	4	15	17		9	4	1	1		7		1
45172B	30	46	8	3	30	16	7	1	19		10	31	4	15	17		9	4	1	1		7		1
45173A	6	74	8	2	26	7	7	1	2		4	31	2	4	8		3	4	1	1				1
45174A	4	62	8	2	53	7	7	2	2		3	31	2	4	4		4	2	1	1				1
45175A	6	13	8	2	5	7	7	1	2		4	54	2	4	8		3	4	1	1				1
45175C	6	13	8	2	79	7	7	1	2		4	54	2	4	8		3	4	9	1				1
45176A	6	74	8	2	5	7	7	1	2		4	31	2	4	8		3	4	1	1				1
45176C	6	74	8	2	5	7	7	1	2		4	31	2	4	8		3	4	1	1				1
45177B	6	13	8	2	5	7	7	1	2		4	54	2	4	8		3	4	1	1				1
45177C	6	13	8	2	5	7	7	1	2		4	54	2	4	8		3	4	1	1				1
45178A	6	13	8	2	67	7	7	1	2		4	54	4	4	26		3	4	9	1				1
45179A	6	13	8	2	67	7	7	1	2		4	54	4	4	26		3	4	9	1				1
45180A	6	13	8	2	67	7	7	1	2		4	54	4	4	26		3	4	9	1				1
45181A	6	13	8	2	5	7	7	1	2		4	54	2	4	8		3	4	1	1				1
45181C	6	13	8	2	5	7	7	1	2		4	54	2	4	8		3	4	1	1				1
45182B	6	46	8	2	67	7	7	1	2		4	31	4	4	26		3	4	9	1				1
45182C	6	46	8	2	67	7	7	1	2		4	31	4	4	26		3	4	9	1				1
45183A	6	46	8	2	77	7	7	1	2		4	38	4	4	26		3	4	9	1				1
45184A	6	46	8	2	67	7	7	1	2		4	31	4	4	26		3	4	9	1				1
45185A	6	13	8	2	67	7	7	1	2		4	54	4	4	26		3	4	9	1				1
45185C	6	13	8	2	67	7	7	1	2		4	54	4	4	26		3	4	9	1				1
45186A	6	74	8	2	5	7	7	1	2		4	31	2	4	8		4	4	1	1				1
45187A	4	74	8	2	53	7	7	1	2		3	31	2	4	4		3	2	9	1				1
45187C	4	74	8	2	53	7	7	1	2		3	31	2	4	4		3	2	9	1				1
45188A	40	13	8	2	54	8	7	1	2		3	54	200	4	4	15	15	3	2	9	1			1
45189A	6	13	8	2	67	7	7	1	2		4	54	4	4	26		3	4	9	1				1
45190A	6	46	8	2	67	7	7	1	2		4	31	4	4	26		3	4	9	1				1
45190C	6	46	8	2	67	7	7	1	2		4	31	4	4	26		3	4	9	1				1
45191A	6	13	8	2	67	7	7	1	2		4	54	4	4	26		3	4	9	1				1
45192A	6	40	8	2	5	7	7	1	2		10	31	2	4	8		3	4	1	1				1
45193A	40	13	8	2	54	8	7	1	2		3	54	200	4	4	15	15	3	2	9	1			1
45194A	6	46	8	2	67	7	7	1	2		4	31	4	4	26		3	4	9	1				1
45195A	6	46	8	2	77	7	7	1	2		4	38	4	4	26		3	4	9	1				1
45196A	4	74	8	2	53	7	7	1	2		3	31	1	4	4		4	2	9	1				1
45197A	6	13	8	2	5	7	7	1	2		4	54	2	4	8		3	4	1	1				1
45197C	6	13	8	2	5	7	7	1	2		4	54	2	4	8		3	4	1	1				1
45198A	6	46	8	2	77	7	7	1	2		4	38	4	4	26		3	4	9	1				1

GENERATOR SET SPEC. NO. INDEX

GRID	B8	B11	B14	C1	C2	D2	D4	D4	D5	D6	D13	E1	E2	E3	E3	E14	F2	F3	F3	F4	F4	F5	F7	F8
	AIR INTAKE	BAFFLES & SHROUD	BREATHER & VENT	CRANKSHAFT & VALVES	CARBURETOR	CRANKCASE	CRANKSHAFT	CYLINDER HEAD	DIPSTICK	ELECTRIC START	EXHAUST	FLYWHEEL	FUEL PUMP	GOVERNOR	IGNITION	INSTRUMENT PANEL	OIL PAN	PISTON & ROD	OIL PUMP	GEAR COVER	WEATHER HOUSING	OIL FILTER	OIL PRESSURE CUTOUT	SHORT BLOCK
Group No.	1	2	3	4	5	7	8	9	10	11	12	13	14	17	15	19	21	22	23	26	25	29	32	41
SPEC. NO.	VARIATION NUMBER																							
45199A	4	13	8	2	53	7	7	1	2			54	2	4	4			2	9	1				1
45199C	4	13	8	2	53	7	7	1	2			54	2	4	4			2	9	1				1
45200A	30	73	8	2	69	7	7	1	2			18	38	4	15	26		3	4	1	1			1
45200C	30	73	8	2	69	7	7	1	2			18	38	4	15	26		3	4	1	1			1
45201C	6	13	8	2	79	7	7	1	2			54	2	4	4			3	4	1	1			1
45202C	6	13	8	2	67	7	7	1	2			4	54	4	4	26		3	4	9	1			1
45203C	30	73	8	2	69	7	7	1	2			18	38	4	15	26		3	4	9	1			1
45204C	4	13	8	2	53	7	7	1	2			3	54	2	4	4		3	2	9	1			1
45205A	6	13	8	2	67	7	7	1	2			4	54	4	4	26		3	4	9	1			1
45206C	6	13	8	2	5	7	7	1	2			4	54	2	4	4		3	4	1	1			1
45207A	6	46	8	2	77	7	7	1	2			4	38	4	4	26		4	4	1	1			1
45208B	31	71	8	3	53	16	7	1	19			100	31	2	15	20		4	9	1		7		1
45209A	6	46	8	2	67	7	7	1	2			4	31	4	4	26		3	4	9	1			1
45210A	40	46	8	2	54	8	7	1	2			3	38	200	5	5		15	3	2	2			1
45211A	4	74	8	2	53	7	7	1	2			3	31	1	4	4		3	4	1	1			1
45212C	4	74	8	2	53	7	7	1	2			3	31	2	4	4		3	2	9	1			1
45213C	6	46	8	2	67	7	7	1	2			4	31	4	4	26		3	4	9	1			1
45214A	4	74	8	2	53	7	7	1	2			3	31	1	4	4		4	2	9	1			1
45215A	4	13	8	2	53	7	7	1	2			3	54	2	4	4		3	2	9	1			1
45216A	6	46	8	2	86	7	7	1	2			4	38	2	4	26		4	4	1	1			1
45217A		74	8	2	53	7	7	1	2			3	31	2	4	4		3	2	9	1			1
45218B	36	57	8	3	42	7	7	1	19			21	31	17	28	23		1	2	9	1		7	1
45219A	6	13	8	2	79	7	7	1	2			4	54	2	4	8		3	4	9	1			1
45220C	4	74	8	2	53	7	7	1	2			3	31	1	4	4		4	2	9	1			1
45221B	101	40	8	3	53	16	7	1	19			99	31	11	15	27		9	2	9	1		6	1
45222B	101	40	8	3	30	16	7	1	19			10	31	4	15	17		9	4	1	1		6	1
45223A	6	13	8	2	67	7	7	1	2			4	54	4	4	26		3	4	9	1			1
45224C	6	13	8	2	67	7	7	1	2			4	54	4	4	26		3	4	9	1			1
45225A	40	46	8	2	54	8	7	1	2			3	38	200	5	5		15	3	2	2			1
45226A	6	13	8	2	67	7	7	1	2			4	54	4	4	26		3	4	9	1			1
45227A	6	46	8	2	67	7	7	1	2			4	31	4	4	26		3	4	9	1			1
45228A	6	13	8	2	5	7	7	1	2			4	54	2	4	8		3	4	1	1			1
45229A	6	46	8	2	67	7	7	1	2			4	31	4	4	26		3	4	9	1			1
45230A	74	8	2	53	7	7	1	2	2			3	31	2	4	4		3	2	9	1			1
45232A	6	46	8	2	86	7	7	1	2			4	38	4	4	26		4	4	1	1			1
45233B	30	79	8	3	30	16	7	1	19			30	31	4	37	17		9	4	1	1		8	1
45234A	6	46	8	2	67	7	7	1	2			4	65	4	4	38		4	4	1	1			1
45235A	6	46	8	2	86	7	7	1	2			4	38	4	4	26		4	4	9	1			1
45236C	6	46	8	2	87	7	7	1	2			4	38	4	4	26		3	4	1	1			1
45237C	6	13	8	2	67	7	7	1	2			4	54	4	4	26		3	4	9	1			1
45238C	6	46	8	2	67	7	7	1	2			4	31	4	4	26		3	4	9	1			1
45239A	30	73	8	2	60	7	7	1	2			18	38	4	15	26		3	4	1	1			1
45240A	5	13	8	2	4	8	7	1	2			3	54	200	5	5		15	3	2	1	1		1
45241C	4	13	8	2	53	7	7	1	2			3	54	2	4	4		3	2	9	1			1
45242A	6	13	8	2	67	7	7	1	2			4	54	4	4	26		3	4	9	1			1
45243A	30	73	8	2	60	7	7	1	2			18	38	4	15	26		3	4	1	1			1
45244C	4	13	8	2	53	7	7	1	2			3	54	2	4	4		3	2	9	1			1
45245C	6	46	8	2	67	7	7	1	2			4	31	4	4	26		3	4	9	1			1
45246C	4	74	8	2	3	7	7	1	2			3	31	2	4	4		4	2	1	1			1
45247C	6	13	8	2	67	7	7	1	2			4	54	4	4	26		3	4	9	1			1
45248A	30	73	8	2	69	7	7	1	2			18	38	4	15	26		3	4	1	1			1
45249A	6	13	8	2	67	7	7	1	2			4	54	4	4	26		3	4	9	1			1
45250A	5	82	8	2	4	7	7	1	2			3	65	2	4	5		4	2	1	1			1
45251A	30	73	8	2	69	7	7	1	2			18	38	4	15	26		3	4	1	1			1
45252A	6	46	8	2	86	7	7	1	2			4	38	4	4	26		4	4	1	1			1
45253A	6	13	8	2	67	8	7	1	2	107		4	48	202	4	38	15	3	4	9	1			1
45254C	6	74	8	2	5	7	7	1	2			4	31	2	4	8		3	4	1	1			1
45255C	6	46	8	2	67	7	7	1	2			4	31	4	4	26		3	4	9	1			1
45256C	6	13	8	2	67	7	7	1	2			4	54	4	4	26		3	4	9	1			1
45257C	6	13	8	2	67	7	7	1	2			4	54	4	4	26		3	4	9	1			1

GENERATOR SET SPEC. NO. INDEX

GRID	B8	B11	B14	G1	C2	D2	D3	D4	D5	D6	D13	E1	E2	E5	E9	E14	F2	F3	F5	F4	F4	F5	F7	F8
GROUP TITLE	AIR INTAKE	BAFFLES & SHROUD	BREATHER & VENT	CAMSHAFT & VALVES	CARBURETOR	CRANKCASE	CRANKSHAFT	CYLINDER HEAD	DIPSTICK	ELECTRIC START	EXHAUST	FLYWHEEL	FUEL PUMP	GOVERNOR	IGNITION	INSTRUMENT PANEL	OIL PAN	PISTON & ROD	OIL PUMP	GEAR COVER	WEATHER HOUSING	OIL FILTER	OIL PRESSURE CUTOUT	SHORT BLOCK
Group No.	1	2	3	4	5	7	8	9	10	11	12	13	14	17	15	19	21	22	25	26	25	29	32	41
SPEC. NO.	VARIATION NUMBER																							
45258C	6	46	8	2	67	7	7	1	2		4	31	4	4	26		3	4	9	1				1
45259C	6	13	8	2	67	7	7	1	2		4	54	4	4	26		3	4	9	1				1
45260C	4	13	8	2	53	7	7	1	2		3	54	2	4	4		3	2	4	1				1
45261A	6	46	8	2	77	7	7	1	2		4	38	4	4	26		3	4	9	1				1
45262B	30	79	8	3	30	16	7	1	19		99	31	4	37	17		9	4	1	1		8		1
45263C	4	74	8	2	3	7	7	1	2		3	31	2	4	4		4	2	1	1				1
45264C	4	13	8	2	53	7	7	1	2		3	54	2	4	4		3	2	9	1				1
45265A	6	46	8	2	86	7	7	1	2		4	38	4	4	26		4	4	9	1				1
45266A	6	46	8	2	86	7	7	1	2		4	38	4	4	26		4	4	9	1				1
45266C	6	46	8	2	86	7	7	1	2		4	31	4	4	26		4	4	9	1				1
45267C	6	74	8	2	5	7	7	1	2		4	31	2	4	8		4	4	9	1				1
45268A	6	74	8	2	53	7	7	1	2		3	31	2	4	4		3	2	9	1				1
45269C	4	74	8	2	53	7	7	1	2		3	31	2	38	4		4	4	9	1				1
45270C	6	74	8	2	5	7	7	1	2		4	31	2	4	8		4	4	9	1				1
45271B	30	79	8	3	30	16	7	1	19		99	31	4	37	17		9	4	1	1		8		1
45272C	4	74	8	2	53	7	7	1	2		3	31	1	4	4		4	2	9	1				1
45273C	6	46	8	2	86	7	7	1	2		4	38	4	4	26		4	4	9	1				1
45274C	4	74	8	2	53	7	7	1	2		3	31	1	4	4		4	2	9	1				1
45275B	31	13	8	2	53	7	7	1	19		3	54	2	4	20		4	9	2	9		7	1	1
45276A	6	46	8	2	86	7	7	1	2		4	38	4	4	26		4	4	9	1				1
45276C	6	46	8	2	86	7	7	1	2		4	38	4	4	26		4	4	9	1				1
45277C	6	74	8	2	53	7	7	1	2		3	31	2	4	4		3	2	9	1				1
45278C	6	13	8	2	67	7	7	1	2		4	54	4	4	26		3	4	9	1				1
45279C	6	13	8	2	67	7	7	1	2		4	54	4	4	26		3	4	9	1				1
45280C	6	13	8	2	67	7	7	1	2		4	54	4	4	26		3	4	9	1				1
45281C		74	8	2	53	7	7	1	2		3	31	2	4	4		3	2	9	1				1
45282C	4	13	8	2	53	7	7	1	2		3	54	2	4	4		3	2	9	1				1
45283C	4	74	8	2	53	7	7	1	2		3	31	1	4	4		4	4	9	1				1
45284A	6	13	8	2	79	7	7	1	2		4	54	2	4	8		3	4	9	1				1
45285C	4	13	8	2	53	7	7	1	2		3	54	2	4	4		3	2	9	1				1
45286C	4	74	8	2	53	7	7	1	2		3	31	1	4	4		4	2	9	1				1
45287C	31	46	8	2	53	7	7	1	2		3	38	2	4	4		4	2	9	1				1
45288A	40	13	8	2	54	8	7	1	2		3	54	200	4	4	15	3	2	9	1				1
45289C	4	13	8	2	53	7	7	1	2		3	54	2	4	4		3	2	9	1				1
45290C	6	13	8	2	67	7	7	1	2		4	54	4	4	26		3	4	9	1				1
45291C	4	74	8	2	53	7	7	1	2		3	31	2	4	4		3	2	9	1				1
45292C	6	46	8	2	67	7	7	1	2		4	31	4	4	26		3	4	9	1				1
45293B	71	8	3	53	16	7	7	1	19		99	31	2	4	20		9	2	9	1		7		1
45294C	4	13	8	2	53	7	7	1	2		3	54	2	4	4		3	2	9	1				1
45295C	4	74	8	2	53	7	7	1	2		3	31	1	4	4		4	2	9	1				1
45296C	6	13	8	2	67	7	7	1	2		4	54	4	4	26		3	4	9	1				1
45297C	4	13	8	2	53	7	7	1	2		3	54	2	4	4		3	2	9	1				1
45298C	6	13	8	2	67	7	7	1	2		4	54	4	4	26		3	4	9	1				1
45299B	6	71	8	3	53	16	7	1	19		99	31	2	4	20		9	2	9	1		7		1
45300A	6	13	8	2	79	7	7	1	2		4	54	2	4	8		3	4	9	1				1
45301A	4	13	8	2	53	7	7	1	2		3	54	2	4	4		3	2	9	1				1
45301B	4	13	8	2	53	7	7	1	2		3	54	2	4	4		3	2	9	1				1
45301C	4	13	8	2	53	7	7	1	2		3	54	2	4	4		3	2	9	1				1
45302A	40	13	8	2	54	8	7	1	2		3	54	200	4	4	15	3	2	9	1				1
45303A	4	13	8	2	53	7	7	1	2		3	54	2	4	4		3	2	9	1				1
45303B	4	13	8	2	53	7	7	1	2		3	54	2	4	4		3	2	9	1				1
45303C	4	13	8	2	53	7	7	1	2		3	54	2	4	4		3	2	9	1				1
45304A	6	46	8	2	79	7	7	1	2		4	31	2	4	8		3	4	9	1				1
45304B	6	46	8	2	79	7	7	1	2		4	31	2	4	8		3	4	9	1				1
45305A	6	13	8	2	79	7	7	1	2		4	54	2	4	8		3	4	9	1				1
45305B	6	13	8	2	79	7	7	1	2		4	54	2	4	8		3	4	9	1				1
45306A	4	13	8	2	53	7	7	1	2		3	54	2	4	4		3	2	9	1				1
45306B	4	13	8	2	53	7	7	1	2		3	54	2	4	4		3	2	9	1				1
45306C	4	13	8	2	53	7	7	1	2		3	54	2	4	4		3	2	9	1				1
45307A	6	74	8	2	5	7	7	1	2		4	31	2	4	8		4	4	9	1				1

GENERATOR SET SPEC. NO. INDEX

GRID	B8	B11	B14	C1	C2	D2	D3	D4	D5	D6	D13	E1	E3	E6	E8	E14	F2	F3	F5	F6	F7	F8		
	AIR INTAKE	BAFFLES & SHROUD	BREATHER & VENT	CRANKSHAFT & VALVES	CARBURETOR	CRANKCASE	CRANKSHAFT	CYLINDER HEAD	DIPSTICK	ELECTRIC START	EXHAUST	FLYWHEEL	FUEL PUMP	GOVERNOR	IGNITION	INSTRUMENT PANEL	OIL PAN	PISTON & ROD	OIL PUMP	GEAR COVER	WEATHER HOUSING	OIL FILTER	OIL PRESSURE CUTOUT	SHORT BLOCK
Group No.	1	2	3	4	5	7	8	9	10	11	12	13	14	17	18	19	21	22	25	26	28	29	32	41
SPEC. NO.	VARIATION NUMBER																							
45307B	6	74	8	2	53	7	7	1	2			4	31	2	4	8							1	
45308A	4	13	8	2	53	7	7	1	2			3	54	2	4	4	4	4	9	1			1	
45308B	4	13	8	2	53	7	7	1	2			3	54	2	4	4	4	4	9	1			1	
45308C	4	13	8	2	53	7	7	1	2			3	54	2	4	4	4	4	9	1			1	
45309A	4	74	8	2	53	7	7	1	2			3	31	2	4	4		3	2	9	1		1	
45309B	4	74	8	2	53	7	7	1	2			3	31	2	4	4		3	2	9	1		1	
45309C	4	74	8	2	53	7	7	1	2			3	31	2	4	4		3	2	9	1		1	
45310A	4	74	8	2	53	7	7	1	2			3	31	2	4	4		3	2	9	1		1	
45310B	4	74	8	2	53	7	7	1	2			3	31	2	4	4		3	2	9	1		1	
45310C	4	74	8	2	53	7	7	1	2			3	31	2	4	4		3	2	9	1		1	
45311A	6	13	8	2	79	7	7	1	2			4	54	2	4	8		3	4	9	1		1	
45311B	6	13	8	2	79	7	7	1	2			4	54	2	4	8		3	4	9	1		1	
45312A	6	46	8	2	79	7	7	1	2			4	31	2	4	8		3	4	9	1		1	
45312B	6	46	8	2	79	7	7	1	2			4	31	2	4	8		3	4	9	1		1	
45313A	4	74	8	2	53	7	7	1	2			3	31	1	4	4		4	2	9	1		1	
45313B	4	74	8	2	53	7	7	1	2			3	31	1	4	4		4	2	9	1		1	
45313C	4	74	8	2	53	7	7	1	2			3	31	2	4	4		4	2	9	1		1	
45314A	4	74	8	2	53	7	7	1	2			3	31	2	4	4		4	2	9	1		1	
45314B	4	74	8	2	53	7	7	1	2			3	31	2	4	4		4	2	9	1		1	
45314C	4	74	8	2	53	7	7	1	2			3	31	2	4	4		4	2	9	1		1	
45315A	4	62	8	2	53	7	7	1	2			3	38	2	4	4		3	2	1			1	
45315B	4	62	8	2	53	7	7	1	2			3	38	2	4	4		3	2	1			1	
45316A	6	74	8	2	5	7	7	1	2			4	31	2	4	8		4	4	9	1		1	
45316B	6	74	8	2	5	7	7	1	2			4	31	2	4	8		4	4	9	1		1	
45316C	6	46	8	2	79	7	7	1	2			4	31	1	4	8		4	4	9	1		1	
45317A	4	74	8	2	53	7	7	1	2			3	31	2	4	4		3	2	9	1		1	
45317B	4	74	8	2	53	7	7	1	2			3	31	2	4	4		3	2	9	1		1	
45317C	4	74	8	2	53	7	7	1	2			3	31	2	4	4		3	2	9	1		1	
45318A	4	74	8	2	53	7	7	1	2			3	31	2	4	4		3	2	9	1		1	
45318B	4	74	8	2	53	7	7	1	2			3	31	2	4	4		3	2	9	1		1	
45318C	4	74	8	2	53	7	7	1	2			3	31	2	4	4		3	2	9	1		1	
45319A	4	13	8	2	53	7	7	1	2			3	54	2	4	4		3	2	9	1		1	
45319B	4	13	8	2	53	7	7	1	2			3	54	2	4	4		3	2	9	1		1	
45319C	4	13	8	2	53	7	7	1	2			3	54	2	4	4		3	2	9	1		1	
45320A	6	46	8	2	79	7	7	1	2			4	31	2	4	8		3	4	9	1		1	
45320B	6	46	8	2	79	7	7	1	2			4	31	2	4	8		3	4	9	1		1	
45321A	6	46	8	2	79	7	7	1	2			4	31	2	4	8		3	4	9	1		1	
45321B	6	46	8	2	79	7	7	1	2			4	31	2	4	8		3	4	9	1		1	
45321C	6	46	8	2	79	7	7	1	2			4	31	2	4	8		3	4	9	1		1	
45322A	6	13	8	2	79	7	7	1	2			4	54	2	4	8		3	4	9	1		1	
45322B	6	13	8	2	79	7	7	1	2			4	54	2	4	8		3	4	9	1		1	
45323A	40	13	8	2	54	8	7	1	2			4	31	2	4	4		3	2	9	1		1	
45324A	31	72	8	3	3	16	7	1	19			10	31	4	15	20		9	2	1			1	
45325B	4	13	8	2	53	7	7	1	2			3	54	2	4	4		3	2	9	1		1	
45325C	4	13	8	2	53	7	7	1	2			3	54	2	4	4		3	2	9	1		1	
45326B	6	13	8	2	79	7	7	1	2			4	54	2	4	8		3	4	9	1		1	
45327B	6	13	8	2	79	7	7	1	2			4	54	2	4	8		3	4	9	1		1	
45328A	6	83	1	2	80	36	7	1	2			34	38	200	4	14		3	4	1			1	
45329B	6	46	8	2	79	7	7	1	2			4	31	2	4	8		3	4	9	1		1	
45330B	6	13	8	2	79	7	7	1	2			4	54	2	4	8		3	4	9	1		1	
45331B	4	13	8	2	53	7	7	1	2			3	54	2	4	4		3	2	9	1		1	
45331C	4	13	8	2	53	7	7	1	2			3	54	2	4	4		3	2	9	1		1	
45332B	4	13	8	2	53	7	7	1	2			3	54	2	4	4		3	2	9	1		1	
45333B	6	13	8	2	67	7	7	1	2			4	54	4	4	26		3	4	9	1		1	
45333C	6	13	8	2	86	7	7	1	2			4	54	4	4	26		3	4	9	1		1	
45334A	40	13	8	2	54	8	7	1	2			3	54	200	4	4		15	3	2	9	1		1
45335B	6	46	8	2	79	7	7	1	2			4	31	2	4	8		3	4	9	1		1	
45336B	4	74	8	2	53	7	7	1	2			3	31	1	4	4		4	2	9	1		1	
45336C	4	74	8	2	53	7	7	1	2			3	31	1	4	4		4	2	9	1		1	
45338A	6	83	1	2	80	36	7	1	2			34	38	200	4	14		15	3	4	1		1	

GENERATOR SET SPEC. NO. INDEX

GRID	B8	B11	B14	C1	C2	D2	D4	D4	D5	D6	D13	E1	E2	E6	E9	E14	F2	F3	F3	F4	F4	F5	F7	F8
	AIR INTAKE	BAFFLES & SHROUD	BREATHER & VENT	CRANKSHAFT & VALVES	CARBURETOR	CRANKCASE	CRANKSHAFT	CYLINDER HEAD	DIPSTICK	ELECTRIC START	EXHAUST	FLYWHEEL	FUEL PUMP	GOVERNOR	IGNITION	INSTRUMENT PANEL	OIL PAN	PISTON & ROD	OIL PUMP	GEAR COVER	WEATHER HOUSING	OIL FILTER	OIL PRESSURE CUTOUT	SHORT BLOCK
Group No.	1	2	3	4	5	7	8	9	10	11	12	13	14	17	18	19	21	22	25	26	28	29	32	41
SPEC. NO.	VARIATION NUMBER																							
45339B	4	13	8	2	53	7	7	1	2		3	54	2	38	4		3	2	9	1				1
45339C	4	13	8	2	53	7	7	1	2		3	54	2	38	4		3	2	9	1				1
45340B	4	13	8	2	53	7	7	1	2		3	54	2	38	4		3	2	9	1				1
45340C	4	13	8	2	53	7	7	1	2		3	54	2	38	4		3	2	9	1				1
45341B	4	74	8	2	53	7	7	1	2		3	31	1	4	4		4	2	9	1				1
45341C	4	74	8	2	53	7	7	1	2		3	31	1	4	4		4	2	9	1				1
45342B	6	46	8	2	67	7	7	1	2		4	4	4	4	26		3	4	9	1				1
45342C	6	46	8	2	86	7	7	1	2		4	4	4	4	26		3	4	9	1				1
45343B	4	74	8	2	53	7	7	1	2		3	31	2	4	4		3	2	9	1				1
45343C	4	74	8	2	53	7	7	1	2		3	31	2	4	4		3	2	9	1				1
45344B	6	46	8	2	79	7	7	1	2		4	31	2	4	8		3	4	9	1				1
45345A	40	13	8	2	54	8	7	1	2		3	54	200	4	4	15	3	2	9	1				1
45346B	6	13	8	2	79	7	7	1	2		4	54	2	4	8		3	4	9	1				1
45347B	4	13	8	2	53	7	7	1	2		3	54	2	4	4		3	2	9	1				1
45347C	4	13	8	2	53	7	7	1	2		3	54	2	4	4		3	2	9	1				1
45348B	4	74	8	2	53	7	7	1	2		3	31	1	4	4		4	2	9	1				1
45348C	4	74	8	2	53	7	7	1	2		3	31	1	4	4		4	2	9	1				1
45349B	31	74	8	2	53	16	7	1	2		12	31	4	4	4		9	2	9	1		6		1
45350B	6	13	8	2	79	7	7	1	2		4	54	2	4	8		3	4	9	1				1
45350C	6	13	8	2	79	7	7	1	2		4	54	2	4	8		3	4	9	1				1
45351B	6	46	8	2	79	7	7	1	2		4	31	2	4	8		3	4	9	1				1
45351C	6	46	8	2	79	7	7	1	2		4	31	2	4	8		3	4	9	1				1
45352B	6	13	8	2	79	7	7	1	2		4	54	2	4	8		3	4	9	1				1
45352C	6	13	8	2	79	7	7	1	2		4	54	2	4	8		3	4	9	1				1
45353B	6	46	8	2	79	7	7	1	2		4	31	2	4	8		3	4	9	1				1
45353C	6	46	8	2	79	7	7	1	2		4	31	2	4	8		3	4	9	1				1
45354B	6	13	8	2	79	7	7	1	2		4	54	2	4	8		3	4	9	1				1
45354C	6	13	8	2	79	7	7	1	2		4	54	2	4	8		3	4	9	1				1
45355B	6	46	8	2	79	7	7	1	2		4	31	2	4	8		3	4	9	1				1
45355C	6	46	8	2	79	7	7	1	2		4	31	2	4	8		3	4	9	1				1
45356B	6	13	8	2	79	7	7	1	2		4	54	2	4	8		3	4	9	1				1
45356C	6	13	8	2	79	7	7	1	2		4	54	2	4	8		3	4	9	1				1
45357B	6	13	8	2	79	7	7	1	2		4	54	2	4	8		3	4	9	1				1
45357C	6	13	8	2	79	7	7	1	2		4	54	2	4	8		3	4	9	1				1
45358B	6	46	8	2	79	7	7	1	2		4	31	2	4	8		3	4	9	1				1
45358C	6	46	8	2	79	7	7	1	2		4	31	2	4	8		3	4	9	1				1
45359B	6	13	8	2	79	7	7	1	2		4	54	2	4	8		3	4	9	1				1
45359C	6	13	8	2	79	7	7	1	2		4	54	2	4	8		3	4	9	1				1
45360B	6	46	8	2	79	7	7	1	2		4	31	2	4	8		3	4	9	1				1
45360C	6	46	8	2	79	7	7	1	2		4	31	2	4	8		3	4	9	1				1
45361B	6	46	8	2	79	7	7	1	2		4	31	1	4	8		4	4	9	1				1
45361C	6	46	8	2	79	7	7	1	2		4	31	1	4	8		4	4	9	1				1
45362B	6	13	8	2	79	7	7	1	2		4	54	2	4	8		3	4	9	1				1
45362C	6	13	8	2	79	7	7	1	2		4	54	2	4	8		3	4	9	1				1
45363B	6	46	8	2	79	7	7	1	2		4	31	2	4	8		3	4	9	1				1
45363C	6	46	8	2	79	7	7	1	2		4	31	2	4	8		3	4	9	1				1
45364B	40	13	8	2	54	8	7	1	2		3	54	200	4	4	15	3	2	9	1				1
45365B	6	46	8	2	67	7	7	1	2		4	31	4	4	26		3	4	9	1				1
45365C	6	46	8	2	86	7	7	1	2		4	31	4	4	26		3	4	9	1				1
45366B	4	74	8	2	53	7	7	1	2		3	31	1	4	4		4	2	9	1				1
45366C	4	74	8	2	53	7	7	1	2		3	31	1	4	4		4	2	9	1				1
45367B	6	13	8	2	67	7	7	1	2		4	54	4	4	26		3	4	9	1				1
45367C	6	13	8	2	86	7	7	1	2		4	54	4	4	26		3	4	9	1				1
45368B	6	46	8	2	79	7	7	1	2		4	31	2	4	8		3	4	9	1				1
45369B	6	13	8	2	79	7	7	1	2		4	54	2	4	8		3	4	9	1				1
45369C	6	13	8	2	79	7	7	1	2		4	54	2	4	8		3	4	9	1				1
45370B	4	74	8	2	53	7	7	1	2		3	31	2	4	4		3	2	9	1				1
45370C	4	74	8	2	53	7	7	1	2		3	31	2	4	4		3	2	9	1				1
45371B	6	46	8	2	79	7	7	1	2		4	31	1	4	8		4	4	9	1				1
45371C	6	46	8	2	79	7	7	1	2		4	31	1	4	8		4	4	9	1				1

GENERATOR SET SPEC. NO. INDEX

GRID	B3	B11	B14	C1	C2	D2	D4	D5	D6	D13	E1	E2	E3	E14	F1	F2	F3	F4	F5	F7	F8						
GROUP TITLE	VARIATION NUMBER																										
	AIR INTAKE	BAFFLES & SHROUD		BREATHER & VENT	CAMSHAFT & VALVES		CARBURETOR		CRANKCASE	CRANKSHAFT	CYLINDER HEAD	DIPSTICK	ELECTRIC START	EXHAUST	FLYWHEEL	FUEL PUMP	GOVERNOR	IGNITION	INSTRUMENT PANEL	OIL PAN	PISTON & ROD	OIL PUMP	GEAR COVER	WEATHER HOUSING	OIL FILTER	OIL PRESSURE CUTOUT	SHORT BLOCK
Group No.	7	8	9	4	5	7	8	9	10	11	12	13	14	17	15	19	21	22	25	26	27	29	32	41			
SPEC. NO.																											
45372B	9	13	8	2	53	7	7	1	2			3	54	2	4	4			3	2	2	1					1
45372C	9	13	8	2	53	7	7	1	2			3	54	2	4	4			3	2	2	1					1
45373B	4	74	8	2	53	7	7	1	2			3	31	2	38	4			4	4	2	1					1
45373C	4	74	8	2	53	7	7	1	2			3	31	2	38	4			4	4	2	1					1
45374B	6	13	8	2	79	7	7	1	2			4	54	2	4	4			3	4	2	1					1
45374C	6	13	8	2	79	7	7	1	2			4	54	2	4	4			3	4	2	1					1
45375C	6	13	8	2	84	7	7	1	2			4	54	2	4	4			3	4	2	1					1
45376C	4	74	8	2	53	7	7	1	2			3	31	1	4	4			4	4	2	1					1
45377C	4	13	8	2	53	7	7	1	2			3	54	2	4	4			3	4	2	1					1
45378C	4	74	8	2	53	7	7	1	2			3	31	1	4	4			4	4	2	1					1
45379C	6	46	8	2	86	7	7	1	2			4	31	4	4	26			4	4	9	1					1
45380C	4	74	8	2	53	7	7	1	2			3	31	1	4	4			3	2	2	1					1
45381C	6	46	8	2	86	7	7	1	2			4	31	4	4	26			3	3	4	9	1				1
45382C	4	13	8	2	53	7	7	1	2			3	54	2	4	4			4	4	2	1					1
45383C	4	74	8	2	53	7	7	1	2			3	31	1	4	4			3	3	4	9	1				1
45384C	4	74	8	2	53	7	7	1	2			3	31	2	38	4			3	2	2	1					1
45385C	31	13	8	2	53	7	7	1	2			3	54	2	4	4			3	2	2	1					1
45386C	31	13	8	2	53	7	7	1	2			3	54	2	4	4			3	2	2	1					1
45387C	6	46	8	2	86	7	7	1	2			4	31	4	4	26			3	3	4	9	1				1
45388C	4	13	8	2	53	7	7	1	2			3	54	2	4	4			3	3	4	9	1				1
45389C	6	46	8	2	86	7	7	1	2			4	31	4	4	26			3	4	9	1					1
45390C	4	74	8	2	53	7	7	1	2			3	31	1	4	4			4	2	2	1					1
45391C	4	74	8	2	53	7	7	1	2			3	31	1	4	4			4	2	2	1					1
45392C	6	13	8	2	86	7	7	1	2			4	54	4	4	26			3	4	9	1					1
45393C	6	13	8	2	86	7	7	1	2			4	54	4	4	26			3	4	9	1					1
45394C	6	46	8	2	86	7	7	1	2			4	31	4	4	26			3	4	9	1					1
45395C	6	46	8	2	86	7	7	1	2			4	31	4	4	26			3	4	9	1					1
45396C	4	74	8	2	53	7	7	1	2			4	31	1	4	4			4	2	2	1					1
45397C	4	74	8	2	53	7	7	1	2			3	31	2	38	4			4	2	2	1					1
45398C	4	13	8	2	53	7	7	1	2			3	54	2	4	4			3	3	4	9	1				1
45399C	4	13	8	2	53	7	7	1	2			3	54	2	38	4			3	4	9	1					1
45400C	30	73	8	2	69	7	7	1	2			18	38	4	15	26			4	2	2	1					1
45401A	40	13	8	2	54	8	7	1	2			3	54	200	4	4		15	3	2	2	1					1
45402C	4	74	8	2	53	7	7	1	2			3	31	2	4	4			3	3	4	9	1				1
45403A	40	56	8	2	54	7	7	1	2			3	65	2	4	4			4	2	2	1					1
45404C	30	13	8	2	91	7	7	1	2			18	54	4	15	26			3	4	9	1					1
45405C	4	74	8	2	53	7	7	1	2			3	31	1	4	4			4	2	2	1					1
45406B	31	13	8	2	53	16	7	1	2			12	54	4	4	4			9	2	2	1					1
45407C	4	74	8	2	53	7	7	1	2			3	31	2	4	4			3	3	4	9	1				1
45408C	4	13	8	2	87	7	7	1	2			4	54	4	4	8			3	3	4	9	1				1
45409C	4	13	8	2	53	7	7	1	2			3	54	2	4	4			3	2	2	1					1
45410A	4	13	9	2	53	7	7	1	2			3	54	2	38	4			3	2	2	1					1
45410C	4	13	8	2	53	7	7	1	2			3	54	2	38	4			3	2	2	1					1
45411C	4	13	8	2	53	7	7	1	2			3	54	2	38	4			3	2	2	1					1
45412C	4	74	8	2	53	7	7	1	2			3	31	1	4	4			4	2	2	1					1
45413C	6	46	8	2	79	7	7	1	2			4	31	1	4	4			4	4	9	1					1
45414C	4	13	8	2	53	7	7	1	2			3	54	2	38	4			4	2	2	1					1
45415C	6	46	8	2	86	7	7	1	2			4	31	4	4	26			4	4	9	1					1
45416C	6	46	8	2	79	38	7	1	2			4	38	2	4	8			3	3	4	9	1				1
45417A	40	13	8	2	54	8	7	1	2			3	54	200	38	4		15	3	3	2	1					1
45419C	6	71	8	2	79	38	7	1	2			99	38	2	4	8			3	4	9	1					1
45420C	4	13	8	2	53	7	7	1	2			3	54	2	4	4			3	2	2	1					1
45421A	40	56	8	2	54	7	7	1	2			3	65	2	4	4			4	2	2	1					1
45422C	4	74	8	2	53	7	7	1	2			3	31	2	4	4			3	3	2	1					1
45423C	4	74	8	2	53	7	7	1	2			3	31	2	4	4			3	3	2	1					1
45424C	6	46	8	2	86	7	7	1	2			4	31	4	4	26			4	4	9	1					1
45425C	60	105	8	2	92	7	7	1	2			3	47	32	45	4			3	2	2	1		100			1
45426C	6	13	8	2	86	7	7	1	2			4	54	4	4	26			3	4	9	1					1
45427C	6	46	8	2	86	7	7	1	2			4	31	4	4	26			4	4	9	1					1
45428C	4	74	8	2	53	7	7	1	2			3	31	1	4	4			4	2	2	1					1

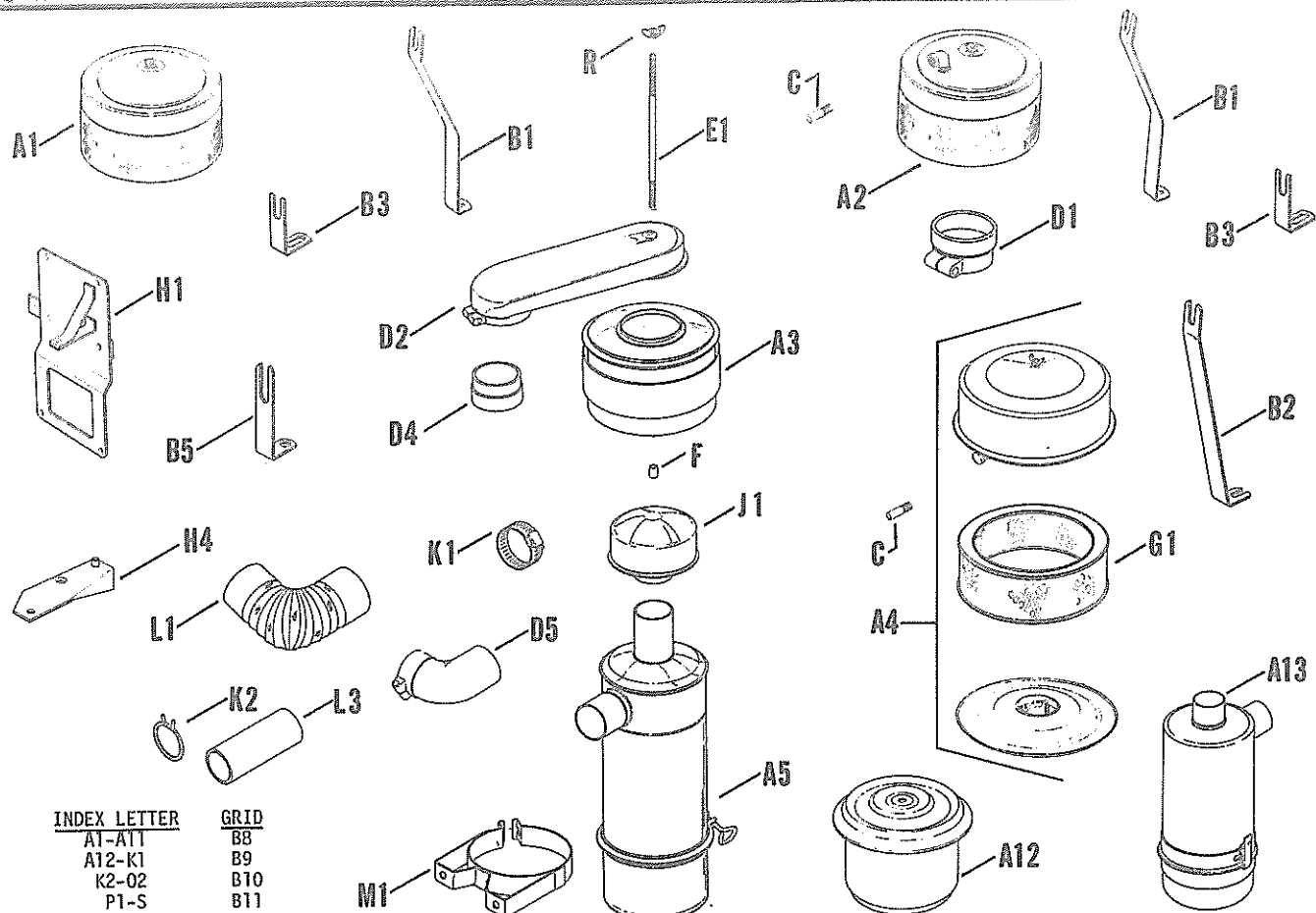
GENERATOR SET SPEC. NO. INDEX

GRID	B9	B11	B14	C1	C2	D2	D4	D4	D5	D6	D13	E1	E2	E6	E9	E14	F2	F3	F3	F4	F4	F5	F7	F8
	AIR INTAKE	BAFFLES & SHROUD	BREATHER & VENT	CAMSHAFT & VALVES	CARBURETOR	CRANKCASE	CRANKSHAFT	CYLINDER HEAD	DIPSTICK	ELECTRIC START	EXHAUST	FLYWHEEL	FUEL PUMP	GOVERNOR	IGNITION	INSTRUMENT PANEL	OIL PAN	PISTON & ROD	OIL PUMP	GEAR COVER	WEATHER HOUSING	OIL FILTER	OIL PRESSURE CUTOUT	SHORT BLOCK
Group No.	1	2	3	4	5	7	8	9	10	11	12	13	14	17	18	19	21	22	25	26	28	29	32	41
SPEC. NO.	VARIATION NUMBER																							
45429C	6	46	8	2	79	7	7	1	2		4	31	1	4	8		4	4	9	1				1
45430C	6	46	8	2	86	7	7	1	2		4	31	4	4	26		4	4	9	1				1
45431C	6	13	8	2	86	7	7	1	2		4	54	4	4	26		4	4	9	1				1
45432C	6	46	8	2	86	7	7	1	2		4	31	4	4	26		4	4	9	1				1
45433A	40	13	8	2	54	8	7	1	2		3	54	200	4	4	15	3	2	9	1				1
45434C	4	74	8	2	53	7	7	1	2		3	31	1	4	4		4	2	9	1				1
45435C	4	13	8	2	53	7	7	1	2		3	54	2	4	4		3	2	9	1				1
45436C	6	46	8	2	86	7	7	1	2		4	31	4	4	26		4	4	9	1				1
45437C	4	74	8	2	53	7	7	1	2		4	31	2	4	4		4	2	9	1				1
45438C	6	46	8	2	79	7	7	1	2		4	31	1	4	8		4	4	9	1				1
45439C	4	13	8	2	53	7	7	1	2		3	54	2	4	4		3	2	9	1				1
45440C	4	74	8	2	53	7	7	1	2		3	31	2	4	4		3	2	9	1		7		1
45441C	6	46	8	2	86	7	7	1	2		4	31	4	4	26		4	4	9	1				1
45442A	40	13	8	2	54	8	7	1	2		3	54	200	4	4	15	3	2	9	1				1
45443C	4	74	8	2	53	7	7	1	2		3	31	2	4	4		3	2	9	1				1
45444A	40	13	8	2	54	8	7	1	2		4	54	4	4	26		3	2	9	1				1
45445C	6	13	8	2	86	7	7	1	2		4	54	2	4	4		3	2	9	1				1
45446C	4	13	8	2	53	7	7	1	2		3	54	2	4	4		3	2	9	1				1
45447C	4	13	8	2	53	7	7	1	2		3	54	2	4	4		3	2	9	1				1
45448C	31	83	8	2	53	7	7	1	2		99	31	2	4	4		3	2	9	1				1
45449C	4	74	8	2	53	7	7	1	2		3	31	2	4	4		3	2	9	1				1
45450A	6	13	1	2	80	8	7	1	2		4	54	201	4	4	15	3	2	9	1				1
45451C	4	13	8	2	87	7	7	1	2		4	54	4	4	8		3	2	9	1				1
45452C	4	74	8	2	53	7	7	1	2		3	31	1	4	4		4	2	9	1				1
45453C	4	74	8	2	53	7	7	1	2		3	31	1	4	4		4	2	9	1				1
45454C	4	74	8	2	53	7	7	1	2		3	31	2	4	4		3	2	9	1				1
45455C	99	74	8	2	53	7	7	1	2		3	31	2	4	4		3	2	9	1				1
45456C	6	13	8	2	79	7	7	1	2		4	54	2	4	8		3	2	9	1				1
45457C	6	46	8	2	86	7	7	1	2		4	31	4	4	26		3	2	9	1				1
45460C	30	46	8	2	30	7	7	1	2		4	38	4	4	26		3	2	9	1				1
45461C	6	46	8	2	77	7	7	1	2		4	38	4	4	26		3	2	9	1				1
45462C	4	74	8	2	53	7	7	1	2		3	31	2	4	4		4	2	9	1				1
45463C	4	74	8	2	53	7	7	1	2		4	31	2	4	4		3	2	9	1				1
45464C	6	13	8	2	86	7	7	1	2		3	54	4	4	26		4	2	9	1				1
45465C	4	74	8	2	53	7	7	1	2		3	31	1	4	4		4	2	9	1				1
45466C	4	74	8	2	53	7	7	1	2		4	31	2	4	4		3	2	9	1				1
45467C	6	46	8	2	86	7	7	1	2		4	31	4	4	26		3	2	9	1				1
45468A	6	13	1	2	80	8	7	1	2		3	54	201	4	4	15	3	2	9	1				1
45469C	4	13	8	2	53	7	7	1	2		4	54	2	4	4		3	2	9	1				1
45470C	4	13	8	2	53	7	7	1	2		3	54	2	4	4		3	2	9	1				1
45471C	6	46	8	2	86	7	7	1	2		4	31	4	4	26		3	2	9	1				1
45472A	40	13	8	2	54	8	7	1	2		3	54	200	38	4	15	3	2	9	1				1
45473A	40	13	8	2	54	8	7	1	2		3	54	200	38	4	15	3	2	9	1				1
45474C	4	13	8	2	53	7	7	1	2		3	54	2	4	4		3	2	9	1				1
45475C	4	74	8	2	53	7	7	1	2		3	31	2	4	4		4	2	9	1				1
45476C	4	74	8	2	53	7	7	1	2		3	31	2	4	4		3	2	9	1				1
45477C	4	74	8	2	53	7	7	1	2		3	31	2	4	4		3	2	9	1				1
45478B	4	71	8	3	53	16	7	1	19		99	31	2	4	20		9	2	9	1		7		1
45479C	4	74	8	2	53	7	7	1	2		4	31	1	4	4		4	2	9	1				1
45480C	6	13	8	2	86	7	7	1	2		4	54	4	4	26		4	2	9	1				1
45481C	6	46	8	2	86	7	7	1	2		4	31	4	4	26		4	2	9	1				1
45482C	61	105	8	2	96	7	7	1	2		4	47	4	46	26		3	2	9	1		101		1
45483B	30	40	8	3	30	16	7	1	19		10	31	4	15	17		9	2	9	1				1
45484C	6	13	8	2	79	7	7	1	2		4	54	2	4	8		3	2	9	1				1
45485C	6	13	8	2	86	7	7	1	2		4	54	4	4	26		3	2	9	1				1
45486C	4	74	8	2	53	7	7	1	2		3	31	1	4	4		4	2	9	1				1
45487B	99	71	8	3	53	16	7	1	19		99	31	2	4	20		9	2	9	1		7		1
45488B	30	40	8	3	30	16	7	1	19		10	31	4	15	17		9	2	9	1				1
45489C	4	13	8	2	53	7	7	1	2		3	54	2	4	4		4	2	9	1				1
45490C	4	46	8	2	79	7	7	1	2		4	31	1	4	8		4	2	9	1				1

GENERATOR SET SPEC. NO. INDEX

GRID	B0	B1	B2	C1	C2	D2	D3	D4	D5	D6	D7	E1	E2	E3	E4	E5	E6	E7	F1	F2	F3	F4	F5	F6	F7	F8
GROUP TITLE	AIR INTAKE	BAFFLES & SHROUD	BREATHER & VENT	CAMSHAFT & VALVES	CARBURETOR	CRANKCASE	CRANKSHAFT	CYLINDER HEAD	DIPSICK	ELECTRIC START	EXHAUST	FLYWHEEL	FUEL PUMP	GOVERNOR	IGNITION	INSTRUMENT PANEL	OIL PAN	PISTON & ROD	OIL PUMP	GEAR COVER	WEATHER HOUSING	OIL FILTER	OIL PRESSURE CUTOFF	SHORT BLOCK		
Group No.	1	2	3	4	5	7	8	9	10	11	12	13	14	17	18	19	21	22	25	26	27	29	30	31		
SPEC. NO.	VARIATION NUMBER																									
45491C	4	74	8	2	53	7	7	1	2		3	31	1	4	4		4	2	9	1					1	
45492C	4	13	8	2	79	7	7	1	2		4	54	2	4	4		3	4	9	1					1	
45493C	4	74	8	2	53	7	7	1	2		3	31	1	4	4		4	2	9	1					1	
45494C	4	74	8	2	53	7	7	1	2		3	31	1	4	4		4	2	9	1					1	
45495C	4	13	8	2	53	7	7	1	2		3	54	2	4	4		3	4	9	1					1	
45496B	99	71	8	3	53	16	7	1	19		99	31	2	4	20		9	2	9	1		7			1	
45497C	6	13	8	2	86	7	7	1	2		4	54	4	4	26		3	4	9	1					1	
45498C	4	13	8	2	53	7	7	1	2		3	54	4	4	4		3	4	9	1					1	
45499C	4	13	8	2	53	7	7	1	2		3	54	2	4	4		3	4	9	1					1	
45500C	4	74	8	2	53	7	7	1	2		3	31	2	4	4		3	4	9	1					1	
45501C	4	74	8	2	53	7	7	1	2		3	31	1	4	4		4	2	9	1					1	
45502C	6	13	8	2	79	7	7	1	2		4	54	2	4	8		3	4	9	1					1	
45503C	6	46	8	2	79	7	7	1	2		4	31	2	4	8		3	4	9	1					1	
45504C	6	13	8	2	86	7	7	1	2		4	54	4	4	26		3	4	9	1					1	
45505C	6	46	8	2	86	7	7	1	2		4	31	4	4	26		3	4	9	1					1	
45506C	6	46	8	2	79	7	7	1	2		4	31	1	4	8		4	4	9	1					1	
45507C	6	46	8	2	86	7	7	1	2		4	31	4	4	26		4	4	9	1					1	
45508C	99	74	8	2	53	7	7	1	2		3	31	2	4	4		3	4	9	1		7			1	
45509C	6	46	8	2	86	7	7	1	2		4	31	4	4	26		4	4	9	1					1	
45510C	4	74	8	2	53	7	7	1	2		3	31	1	4	4		4	2	9	1					1	
45600B	36	57	8	3	52	7	7	1	19		21	31	17	28	23		1	2	1	1		7			1	
45601B	99	71	8	3	53	16	7	1	19		99	31	2	4	20		9	2	9	1		7			1	
45602B	36	57	8	3	42	7	7	1	19		21	31	17	28	23		1	2	1	1		7			1	
45603B	99	71	8	3	53	16	7	1	19		99	31	2	4	20		9	2	9	1		7			1	
45604B	36	57	8	3	42	7	7	1	19		21	31	17	28	23		1	2	1	1		7			1	
45605B	102	40	8	3	53	16	7	1	19		99	31	11	15	27		9	2	9	1		6			1	
45606C	6	46	8	2	67	7	7	1	2		4	31	4	4	26		3	4	9	1					1	
45607C	6	74	8	2	5	7	7	1	2		4	31	2	4	8		4	4	9	1					1	
45608C	4	74	8	2	53	7	7	1	2		3	31	2	4	4		3	4	9	1					1	
45609C	6	46	8	2	86	7	7	1	2		4	31	4	4	26		4	4	9	1					1	
45610C	6	13	8	2	67	7	7	1	2		4	54	4	4	26		3	4	9	1					1	
45611C	99	74	8	2	53	7	7	1	2		3	31	2	4	4		3	2	9	1					1	
45612B	36	57	8	3	42	7	7	1	19		21	31	17	28	23		1	2	1	1		7			1	
45613C	99	74	8	2	53	7	7	1	2		3	31	2	4	4		3	2	9	1					1	
45614C	4	13	8	2	53	7	7	1	2		3	54	2	4	4		3	2	9	1					1	
45615C	4	74	8	2	53	7	7	1	2		3	31	1	4	4		4	2	9	1					1	
45616C	6	13	8	2	67	7	7	1	2		4	54	4	4	26		3	4	9	1					1	
45617C	6	46	8	2	67	7	7	1	2		4	31	4	4	26		3	4	9	1					1	
45618C	4	74	8	2	53	7	7	1	2		3	31	1	4	4		4	2	9	1					1	
45619C	6	13	8	2	79	7	7	1	2		4	54	2	4	8		3	4	9	1					1	

AIR INTAKE



INDEX LETTER	GRID
A1-A11	B8
A12-K1	B9
K2-Q2	B10
P1-S	B11

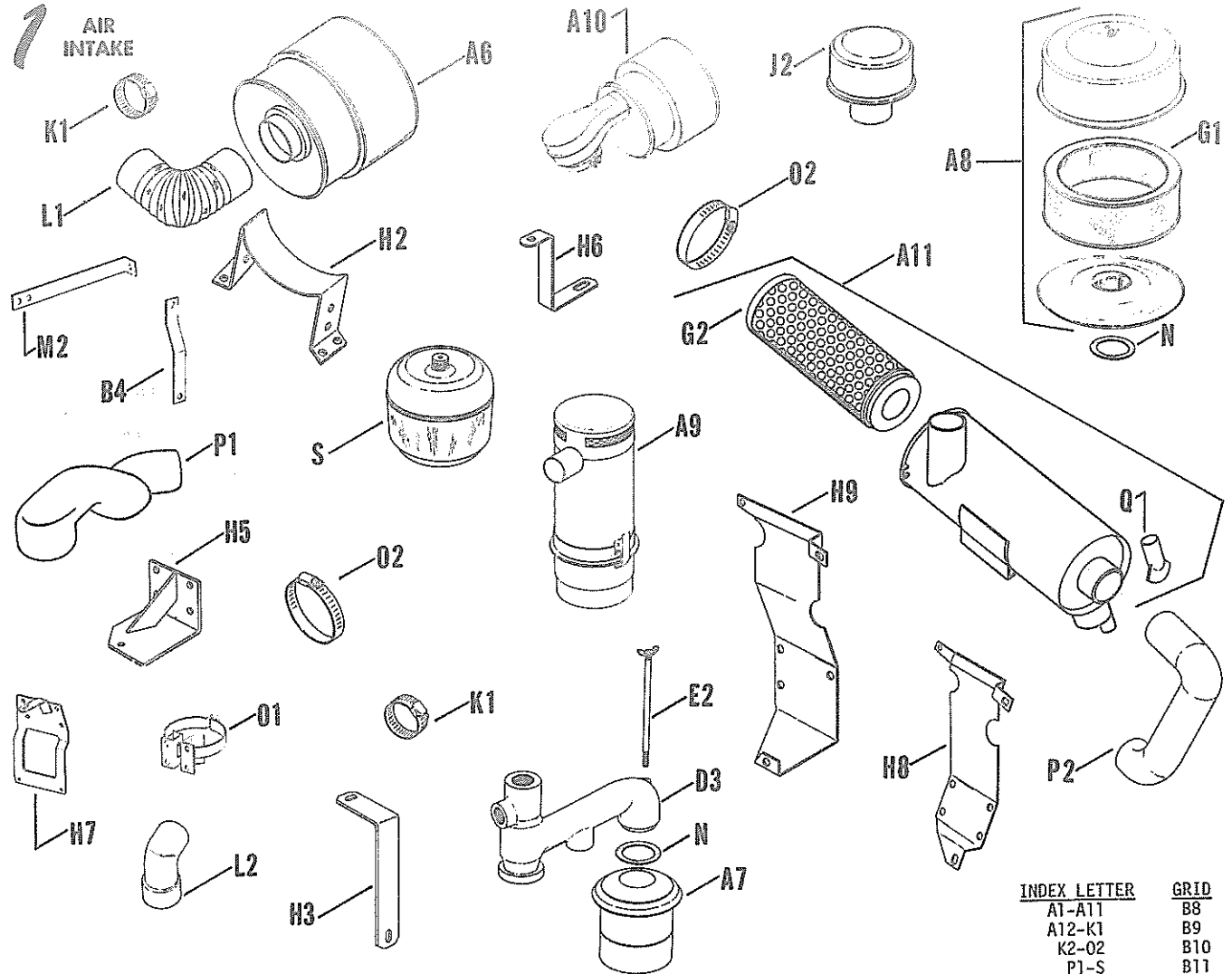
INDEX LTR.	DESCRIPTION VARIATION NUMBER	PART NUMBER	QTY.	INDEX LTR.	DESCRIPTION VARIATION NUMBER	PART NUMBER	QTY.
	Use stock of original part number before ordering replacement.			A5	Cleaner, air (Discontinued--Not Available) 17,200	A-270237	1
A1	Cleaner, air (Use A-270172 prior to generator set serial no. 264001) (Discontinued--Not Available) 1,2,14,15,100	A-270406	1	A6	Cleaner, air - assembly (Includes G1) 21,57	A-271152	1
A2	Cleaner, air (Discontinued--Not Available) 3	A-270939	1	A7	Cleaner, air (Discontinued--Not Available) 23	A-230279	1
A3	Cleaner, air (Use 272461 prior to generator set serial no. 204133) (Replaced by 272459) 4,5,6,25,40	A-272459	1	A8	Cleaner, air - assembly (Includes G1) 26	A-271297	1
A4	Cleaner, air - assembly (Includes G1) 9	A-270970	1	A9	Cleaner, air 59	A-272053	1
	10,13	A-270999	1	A10	Cleaner, air 30,31,36,99,205	A-271326	1
	29	A-271308	1	A11	Cleaner, air 32	A-271053	1
					58	271519	1
					Cleaner, air - assembly (Includes G2 & Q) 37,51,55,56,207	A-271645	1

1

K662

ILLUSTRATION ON GRID B9 B10

INDEX LTR.	DESCRIPTION VARIATION NUMBER	PART NUMBER	QTY.	INDEX LTR.	DESCRIPTION VARIATION NUMBER	PART NUMBER	QTY.
A12	Cleaner, air 201	151834	1	(F-CONTINUED)			
A13	Cleaner, air 206	247075	1		Spacer, cleaner 17/64 I.D. x 13/32 O.D. x 1-29/32 40	X-400-35	1
B1	Brace, cleaner 1,2,3	270133	1		Spacer, cleaner 17/64 I.D. x 13/32 O.D. x 2-19/32 60	X-400-68	1
B2	Brace, cleaner (Discontinued--Not Available) 9,10	271050	1		Spacer, cleaner 17/64 I.D. x 13/32 O.D. x 4-1/8 61	X-400-90	1
B3	Brace, cleaner 13,14,15	275729	1	G1	Element, filter 9,10,13,26,29,59	271276	1
B4	Brace, cleaner 21	271195	1		21,57	272042	1
B5	Brace, cleaner 100	275326	1	G2	Element, filter 37,51,55,56,207	271646	1
C	Nipple 3,10,13,29	D-2158	1	H1	Bracket, air cleaner 17	270981	1
D1	Adapter, air cleaner 1,5,15	270373	1		Bracket, air cleaner (Discontinued--Not Available) 200	270226	1
D2	Adapter, air cleaner 4,5,6,25,40,60,61	270449	1	H2	Bracket, air cleaner 21,57	271159	1
D3	Adapter, air cleaner 23	270348	1	H3	Bracket, adapter 23	270352	1
D4	Adapter, air cleaner 40	271680	1	H4	Bracket, air cleaner 23	270413	1
D5	Adapter 200	270220	1		25	271278	1
E1	Stud, air cleaner 1/4 - 20 x 8-5/16 4,5,25	270543	1	H5	Bracket, air cleaner 30,31,99	271325	1
	Stud, air cleaner 1/4 - 20 x 9-1/2 6,60	270664	1	H6	Bracket, air cleaner 32	271407	1
	Stud, air cleaner 1/4 - 20 x 8-5/8 40	271681	1		58	272034	1
	Stud, air cleaner 1/4 - 20 x 10-3/4 61	272587	1	H7	Bracket, air cleaner 36	271514	1
E2	Stud, cleaner (with nut) 1/4 - 20 x 9-1/2 23	270355	1	H8	Bracket, air cleaner 37	271700	1
				H9	Bracket, air cleaner 51	271772	1
F	Spacer, cleaner 17/64 I.D. x 13/32 O.D. x 1-3/16 4,100	X-342	1	J1	Cap, air stack (Replaced by 270238) 17,200	A-270238	1
	Spacer, cleaner 17/64 I.D. x 13/32 O.D. x 1-13/32 5	X-400-66	1	J2	Cap, air stack 37,51,55,56,207	271647	1
	Spacer, cleaner 17/64 I.D. x 13/32 O.D. x 2-15/16 6	X-400-67	1	K1	Clamp, hose 17,200	X-426-2	2
					21,57	X-426-6	2
					31,99	X-426-4	1
					36	X-426-4	2
					37,55,56	X-426-8	1
					51,207	X-426-3	1



INDEX LETTER	GRID
A1-A11	B8
A12-K1	B9
K2-O2	B10
P1-S	B11

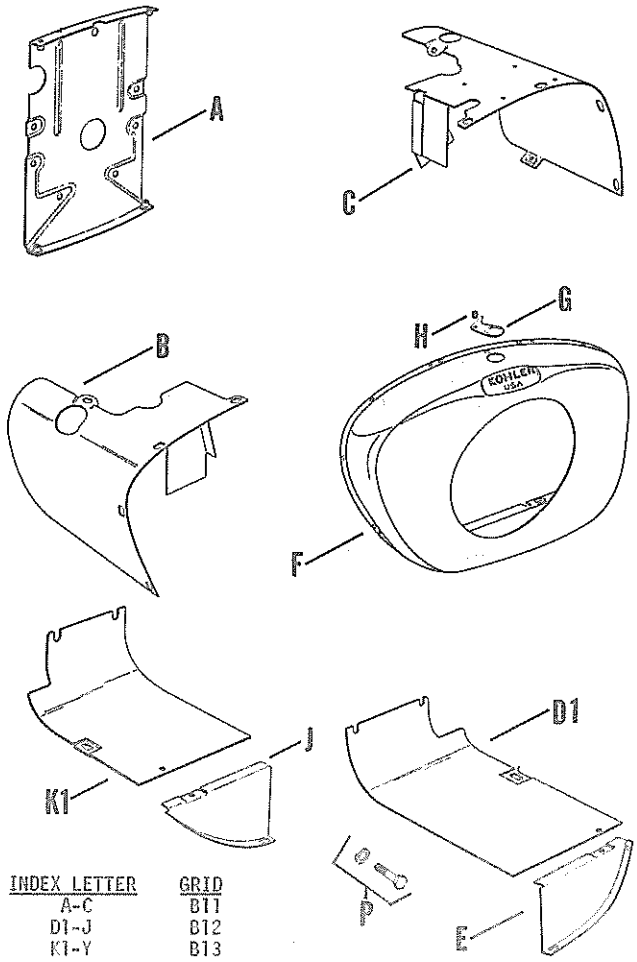
INDEX LTR.	DESCRIPTION VARIATION NUMBER	PART NUMBER	QTY.	INDEX LTR.	DESCRIPTION VARIATION NUMBER	PART NUMBER	QTY.
K2	Clamp, spring hose (Replaced by X-426-8) 101,102	X-309-7	2	M1	Strap, air cleaner 17,200,204	270227	2
L1	Hose, air 2 I.D. x 6-3/8 17	270980	1	M2	Band, air cleaner 21,57	271196	2
	Hose, air 2-1/16 I.D. x 10-1/2 21,57	271157	1	N	Gasket, air cleaner (Replaced by AC-1787) 23	230325	1
	Hose, air 1-3/4 I.D. x 29-1/2 36	271515	1		Gasket, air cleaner 26,58,59	271582	1
	Hose, air 1-1/4 I.D. x 28 101,102,103	245167	1	O1	Clamp, tubing 30,31,36,99,205,206	271327	1
L2	Hose, air intake 30	271328	1	O2	Clamp, tubing 30,37,51,56,99,204 55,203	250081	2
L3	Hose, air 2 I.D. x 4 200	X-281-3	1			250081	1

1.2

K662

ILLUSTRATION ON GRID B9 B10

INDEX LTR.	DESCRIPTION VARIATION NUMBER	PART NUMBER	QTY.	INDEX LTR.	DESCRIPTION VARIATION NUMBER	PART NUMBER	QTY.
P1	Hose, air intake 31,99	271412	1		Use stock of original part number before ordering replacement.		
P2	Hose, air intake 37	271532	1	A	Plate, blower support 1,2,4,6,7,8,13,14,16,18,19, 21,24,30,31,32,34,35,36,39, 40,41,43,44,45,46,49,55,56, 57,60,61,62,65,71,72,73,74, 77,78,79,81,82,83,86,87,88, 90,91,92,93,94,95,96,97,98, 99,102,103,105,107,500	270183	1
	51	271771	1				
	55	272019	1				
	56	272018	1				
Q	Unloader, automatic dust 37,51,55,56,207	271648	1	B	Shroud, #1 head 1,4,7	270603	1
R	Nut, wing 4,60,61,100	X-276-7	1		2,8,14,19,30,39,44,88,93, 94,98,102,103,107	A-270618	1
	40	X-276-1	1		20	A-271008	1
	Nut, wing (Replaced by X-276-7) 5,6,25	X-276-4	1		34,81,86,99	A-271882	1
S	Precleaner 203,204	271272	1		40,41,43,46,49,56,57,60, 62,65,71,72,73,74,77,79, 83,95,96,105	A-271304	1
2 BAFFLES AND SHROUD							
					45	271353	1
					47	271483	1
					61,78	271706	1
					91	271522	1
					Shroud, #1 head (Replaced by 270963) 6,13,16,21,24,31,55,82,87, 90,92,97	A-270963	1
					Shroud, #1 head (Replaced by 271286) 32	A-271286	1
					Shroud, #1 head (Discontinued--Not Available) 35,36	270184	1
				C	Shroud, #2 head 1,4,7	270602	1
					2,8,14,19,24,30,31,39,44, 61,78,81,88,90,92,93,97, 98,99,102,107	A-270619	1
					20	A-271005	1
					26	271054	1
					34,86,94,103	271194	1
					40,46,56,57,60,71,72,73, 74,77,79,83,105	A-271305	1
					41,43,49,62,65,95,96	271379	1
					45	271363	1
					47	271482	1
					91	272152	1
					Shroud, #2 head (Replaced by 270964) 6,13,16,21,32,55,82,87,500	A-270964	1
					Shroud, #2 head (Discontinued--Not Available) 35,36	270185	1



INDEX LETTER	GRID
A-C	B11
D1-J	B12
K1-Y	B13

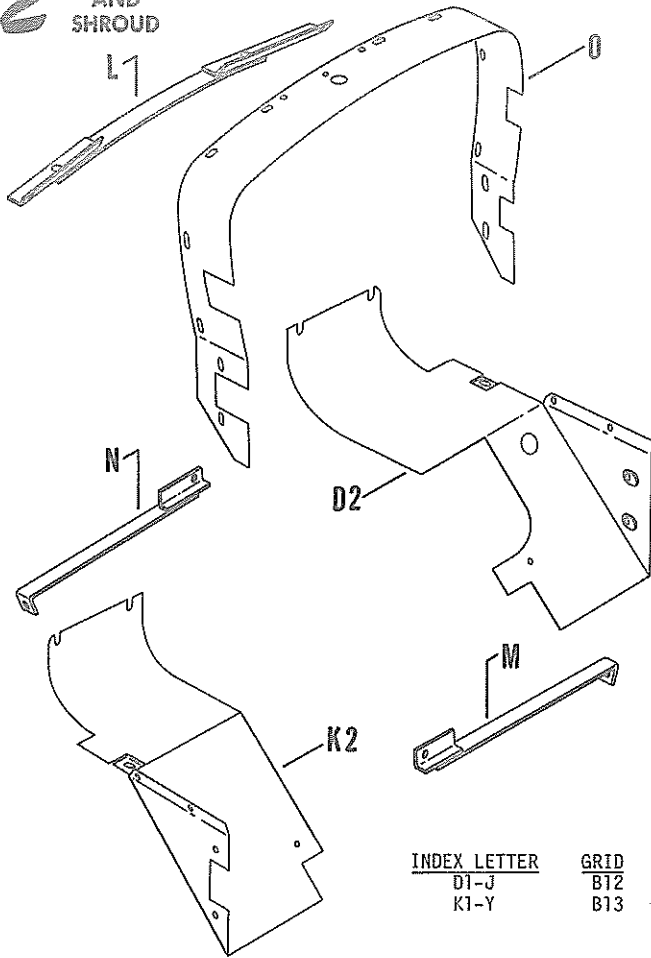
INDEX LTR.	DESCRIPTION VARIATION NUMBER	PART NUMBER	QTY.	INDEX LTR.	DESCRIPTION VARIATION NUMBER	PART NUMBER	QTY.
				(F--CONTINUED)			
D1	Shroud, #2 barrel 1,4,6,7,13,16,21,55,73,74, 77,82,87,500	270604	1		Housing, blower - assembly 11-1/2 dia. center hole (Includes G & H) (Replaces A-270452 after serial no. 365807)		
	2,8,14,19,20,24,30,31,34, 39,44,47,61,78,81,86,92	270621	1		19,30,81,92,93,99	A-271000	1
	32	271287	1		Housing, blower - assembly 11-1/2 dia. center hole (Includes G & H) (Replaces A-270451 after serial no. 365807) (Replaces A-270279 after serial no. 285709)		
	35,36	270181	1		21,24,90,97,102,107	A-270989	1
	40,46,56,57,60,71,72,79, 83,105	271307	1		Housing, blower - assembly 11-5/8 dia. center hole (Includes G & H)		
	41,43,49,62,91	271380	1		34,88	A-271209	1
	65,93,94,95,96,97,98,99, 102,103	272141	1		39	A-271279	1
	90,107	272416	1		Housing, blower - assembly 9-3/8 dia. center hole (Includes G & H) (Discon- tinued--Not Available)		
D2	Shroud, #2 barrel 45	271362	1		40,41,43,46,49,56,57,60, 71,72,73,74,77,82,83,96	A-271301	1
E	Baffle, #2 air 1,4,6,7,13,16,21,35,36,46, 55,56,71,72,73,74,77,79,82, 83,105,500	270179	1		Housing, blower - assembly 10 dia. center hole (Includes G & H)		
	2,8,14,19,24,30,31,34,39, 41,43,44,49,61,62,65,78, 81,86,87,88,90,91,92,93, 94,95,96,97,98,99,102,103, 107	270191	1		44,98	A-271322	1
	26	271055	1		61,86	A-271592	1
	32,40,60	271252	1		Housing, blower - assembly 9-3/8 dia. center hole (Includes G & H)		
F	Housing, blower - assembly 8 dia. center hole (Includes G & H) (Replaces A-270279 after serial no. 285709) (Discontinued--Not Available)	A-270451	1		62,95	A-271590	1
	1,65				79	A-271998	1
	Housing, blower - assembly 8 dia. center hole (Includes G & H) (Discontinued--Not Available)	A-270452	1		91	A-272138	1
	2				Housing, blower - assembly 11-1/2 dia. center hole (Includes G & H)		
	Housing, blower - assembly 8 dia. center hole (Includes G & H)	A-270279	1		78	A-271752	1
	4,13,31,35,55				94,103	A-271170	1
	8	A-270242	1		Housing, blower - assembly 9-1/2 dia. center hole (Includes G & H) (Discontinued -- Not Available)		
	Housing, blower - assembly 9-9/16 dia. center hole (Includes G & H)	A-270364	1		87	A-272031	1
	6				Housing, blower - assembly 9-3/8 dia. center hole (Includes G & H) (Replaced by 272450)		
	Housing, blower - assembly 8 dia. center hole (Includes G & H)	A-270684	1	G	105	A-272451	1
	7,16,32,36,500				Cover, timing hole ALL	270175	1
	Housing, blower - assembly 9-9/16 dia. center hole (Includes G & H) (Discon- tinued--Not Available)	270946	1	H	Spring, cover ALL	270278	1
	14				Baffle, #1 air 1,4,6,7,13,16,21,24,32,35, 36,40,41,43,46,49,55,56, 57,60,62,65,71,72,73,74, 77,78,79,82,83,87,90,91, 93,95,96,97,102,103,105, 107,500	270180	1

2
2

K662

ILLUSTRATION ON GRID B11 B13 B14

BAFFLES
AND
SHROUD



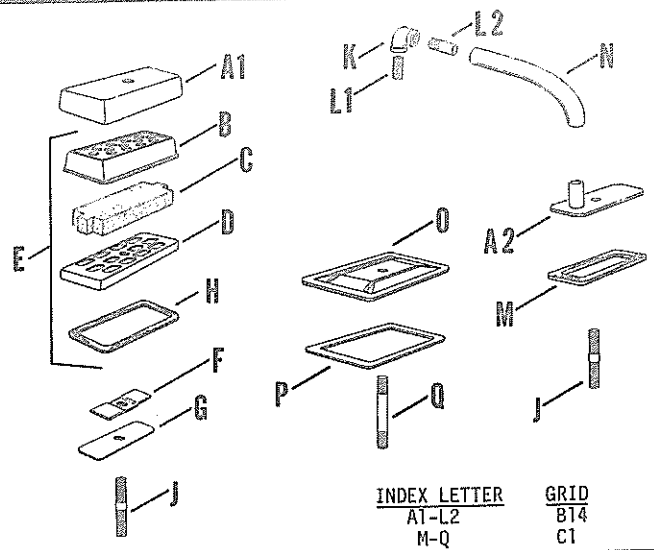
INDEX LETTER GRID
D1-J B12
K1-Y B13

INDEX LTR.	DESCRIPTION VARIATION NUMBER	PART NUMBER	QTY.	
K1	Shroud, #1 barrel 1,4,6,7,13,16,20,24,31,55, 61,73,74,77,78,82,87,97, 102,103,500	270605	1	
	2,8,14,19,30,34,39,44,47, 81,86,88,92,93,94,98,99	270620	1	
	26	271056	1	
	32	271288	1	
	35,36	270182	1	
	40,41,43,46,49,56,57,60, 62,65,71,72,79,83,95,96, 105	271306	1	
	90,107	272417	1	
	91	271521	1	
	K2	Shroud, #1 barrel 45	271352	1
		L	Support, baffle 20	271006
45	271349		1	

INDEX LTR.	DESCRIPTION VARIATION NUMBER	PART NUMBER	QTY.	
M	Bracket, shroud support (RH) 45	271350	1	
N	Bracket, shroud support (LH) 45	271351	1	
O	Band, shroud 45	271364	1	
P	Kit, screw (Includes 1 screw X-5-17 & 1 washer X-20-1) 30,61	221500	1	
Q	Frame, air outlet 49,62,95	274134	1	
R	Screen, air outlet 49,62,95	274133	1	
S	Shutter - assembly (Includes Q,R,U,EE & FF) 62,95	A-271583	1	
	Shutter - assembly (Includes U,EE & FF) 79	A-271758	1	
T	Baffle, air 40,41,43,46,49,56,57,60, 62,71,72,73,74,77,79,82, 83,91,95,96,105	271303	1	
U	Ball joint 62,79,95	237130	1	
V	Stud, thermostat 5-1/2 62,95	272237	1	
W	Scroll (Replaced by 271410) 7,16,36,500	270643	1	
	Scroll 32	271217	1	
	40,60,71,72,83	271409	1	
	41,91,96	271410	1	
	43,49,62,95	A-271361	1	
	57	271631	1	
	73	271573	1	
	79	271805	1	
	X1	Brace, scroll 43,49,62,73,95	271373	1
	X2	Brace, scroll 77	271755	1
Y	Cover, scroll 7,32,36,500	270645	1	
	16,40,41,43,46,49,60,62, 71,72,73,74,91,95,96,105	271411	1	
	56,82	271047	1	
	57	271632	1	
	77,83	271754	1	
	79	271804	1	

BREATHER AND VENT

INDEX LTR.	DESCRIPTION VARIATION NUMBER	PART NUMBER	QTY.
Z	Plug 40,46,49,57,60,62,71,72,74, 79,83,95,96,105	X-301-11	1
	90,92,107	X-301-8	1
AA	Washer, restraining 62,95	271579	1
BB	Thermostat 62,95	271554	1
CC	Cup, thermostat (Replaced by 271578) 62,95	A-271578	1
DD	Bracket, thermostat 62,95	271580	1
EE	Turnbuckle 62,79,95	272235	1
FF	Stud 2-9/16 62,95	272239	1
	Stud 2-3/16 79	272240	1
GG	Nipple 1-3/4 32,40	X-229-6	1
	Nipple 3-3/4 60	X-229-3	1
HH	Nut, lock 32,40,60	AC-1536	1



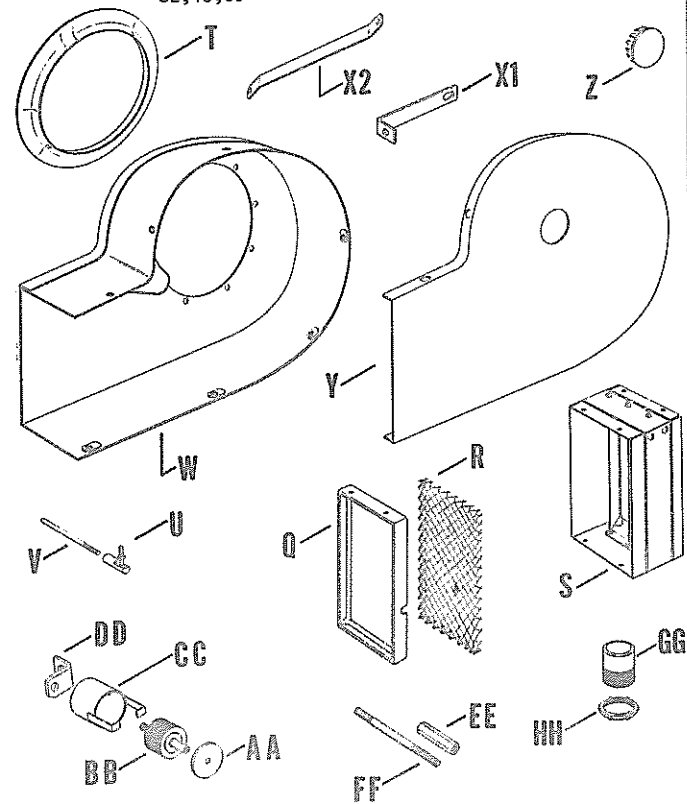
INDEX LETTER
A1-L2
M-Q

GRID
B14
C1

INDEX LTR.	DESCRIPTION VARIATION NUMBER	PART NUMBER	QTY.
------------	------------------------------	-------------	------

Use stock of original part number before ordering replacement.

A1	Cover, breather 1,6,8,11	270148	1
A2	Plate, breather (Replaced by A-270933) 2,3,4,9,10,13,14,99	270933	1
B	Body, breather 1,6,8,11	270152	1
C	Filter 1,6,8,11	270256	1
D	Baffle, breather 1,6,8,11	270145	1
E	Body, breather - assembly (Includes B,C,D & H) 1,6,8,11	A-270149	1
F	Stop, breather reed 1,6,8,11	270146	1
G	Reed, breather 1,6,8,11	270147	1
H	Gasket, breather 1,6,8,11	270153	1
J	Stud, breather 1,3,10,11	271732	1
	2,4,8,9,13,14,99	265289	1
	6	271449	1
K	Elbow 90° 14,99	X-215-5	1
L1	Nipple 14,99	X-220-5	1
L2	Nipple 14,99	X-226-2	1



2 BAFFLES AND SHROUD

INDEX LETTER
K1-Y
Z-HH

GRID
B13
B14

(CONTINUED ON GRID C1)

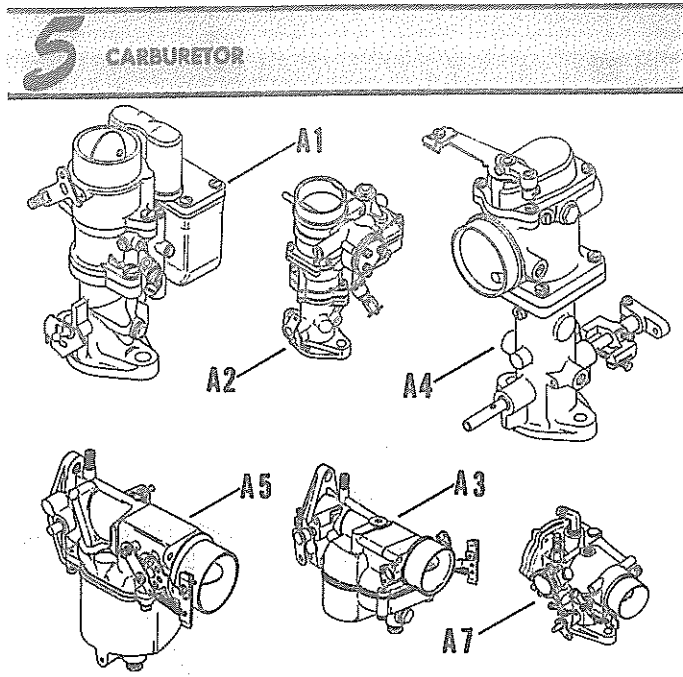
3.4

K662

ILLUSTRATION ON GRID B14

INDEX LTR.	DESCRIPTION VARIATION NUMBER	PART NUMBER	QTY.	INDEX LTR.	DESCRIPTION VARIATION NUMBER	PART NUMBER	QTY.
M	Gasket, breather plate 2,3,4,9,10,13,14,99	270931	1	B	Spring, intake valve (Use 270011 prior to engine serial no. 331302; generator set serial no. 264001) ALL (except 4)	270171	2
N	Hose, breather 1/2 I.D. x 13 2	X-386-2	1	4		270011	2
	Hose, breather (Replaced by X-386-2) 1/2 I.D. x 9-1/4 3,9,10	X-386-5	1	C1	Rotator, intake valve ALL (except 4)	271743	2
	Hose, breather 1/2 I.D. x 11-1/2 14	X-484-13	1	C2	Retainer, spring 4	270012	2
	Hose, breather 1/2 I.D. x 6-1/2 99	X-484-14	1	D	Tappet, valve ALL	D-270327	4
O	Cover, valve ALL	270036	2	E	Key, retainer ALL	270013	8
P	Gasket, valve cover ALL	270034	2	F	Camshaft ALL (except 4)	272597	1
Q	Stud, valve cover 1/4 - 20 x 13/16 (Replaced by 220368) ALL	220043	2		Camshaft (Service with short block A-271398) (Discontinued--Not Available) 4	270022	1
<div style="border: 1px solid black; padding: 5px; display: inline-block;"> 4 CAMSHAFT AND VALVES </div>				G	Key, woodruff #3 ALL	X-43-1	1
				H	Gear, camshaft 2,3,4	270135	1
					9,10	271775	1
					Gear, camshaft (Replaced by 270135) 7	271520	1
					Gear, camshaft (Discontinued--Not Available) 8	271697	1
				J	Rotator, exhaust valve ALL	271743	2
				K	Spring, exhaust valve ALL	270171	2
L	Seat, valve spring ALL	270006	4	M	Valve, exhaust (Stellite) ALL	270361	2
A	Valve, intake (Std.) 2,4,7,8,9	270010	2	N	Nut 7/8 - 14 ALL	X-101-2	1
	Valve, intake (Stellite) 3,10	271007	2				

Use stock of original part number before ordering replacement.



INDEX LTR.	DESCRIPTION VARIATION NUMBER	PART NUMBER	QTY.
	Use stock of original part number before ordering replacement.		
A1	Carburetor - assembly (Grid C7) (Discontinued--Not Available)		
	1	B-270224	1
	4	B-270254	1
A2	Carburetor - assembly (Grid C8)		
	2,7,22,48	A-270864	1
	3,5,25,26,53,79,84	B-270374	1
	9	A-271186	1
	18	A-270993	1
	27,28	A-271298	1
	54,67,77,80,86,87,96	B-271060	1
	74	A-271940	1
	81	A-272009	1
	199	A-271342-S	1
	Carburetor - assembly (Grid C8) (Replaced by B-271060)		
	11	A-271060	1
	Carburetor - assembly (Grid C8) (Replaced by A-271342-S)		
	31,50	A-271342	1
A3	Carburetor - assembly (Grid C10)		
	10,45	A-271015	1
	32	A-271383	1
	39	A-271343	1
	42	A-271517	1
	56	A-271655	1

INDEX LTR.	DESCRIPTION VARIATION NUMBER	PART NUMBER	QTY.
A4	Carburetor - assembly (Grid C11) (Discontinued--Not Available)		
	16,52	A-271105	1
	19	A-271179	1
A5	Carburetor - assembly (Grid C12)		
	20,64,65,68,78	A-271881	1
	41	A-271477	1
	83	B-272041	1
	95	49 053 01	1
A6	Carburetor - assembly (Not Shown)*		
	30,40,60,69,91	A-271329	1
	57	A-271690	1
	92	A-272452	1
	Carburetor - assembly (Not Shown)* (Discontinued-- Not Available)		
	58	A-271686	1
A7	Carburetor - assembly (Grid C13)		
	73	A-271923	1
B1	Nipple, pipe 3/4 x 2		
	5,11,16,52,67	X-206-2	1
	26,77	X-206-2	2
	Nipple, pipe 1/8 x 1-1/2		
	25	X-217-4	1
	Nipple, pipe 3/4 x 1-3/8		
	26,77	X-206-9	1
	Nipple, pipe 1/4 x 7/8		
	73,83	X-220-5	1
	Nipple, pipe 1/8 x 3/4		
	80,84,87	X-217-6	1
B2	Nipple, pipe 1/2 x 1-1/2		
	5,11,67	X-288-1	2
	Nipple, pipe 3/8 x 1		
	25	X-227-1	2
	84,87	X-204-12	2
	Nipple, pipe 1/2 x 1-1/4		
	30,60,69	X-228-2	2
	Nipple, pipe 1/4 x 1		
	73,83	X-226-2	1
C	Hose, air intake		
	31,50,65,81	274130	1
D	Baffle, de-icer		
	65	271756	1

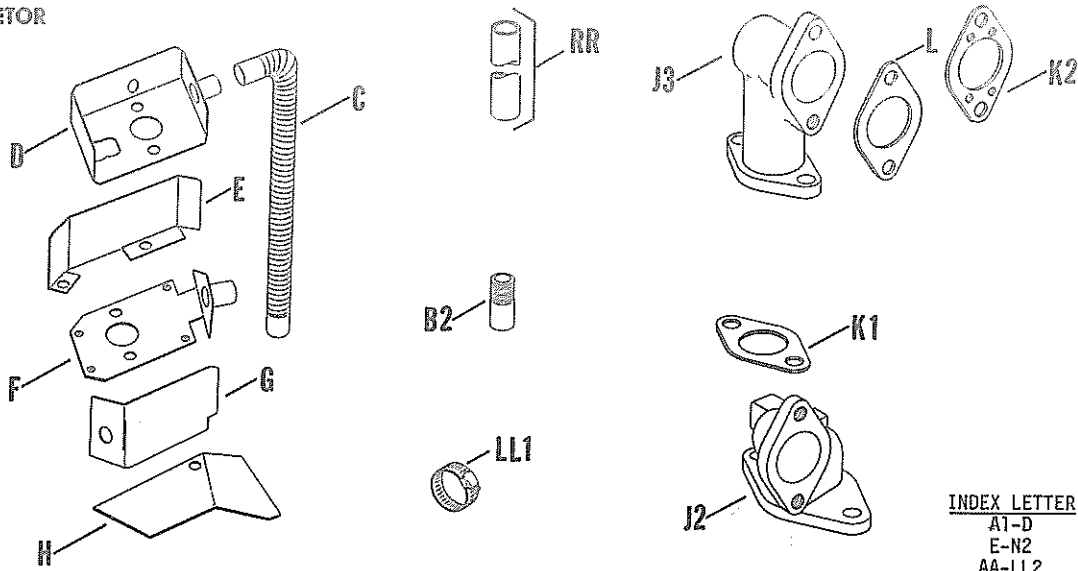
*Carburetor for special application: Parts breakdown not available.

5
5

K662

ILLUSTRATION ON GRID C3 C4 C6

CARBURETOR

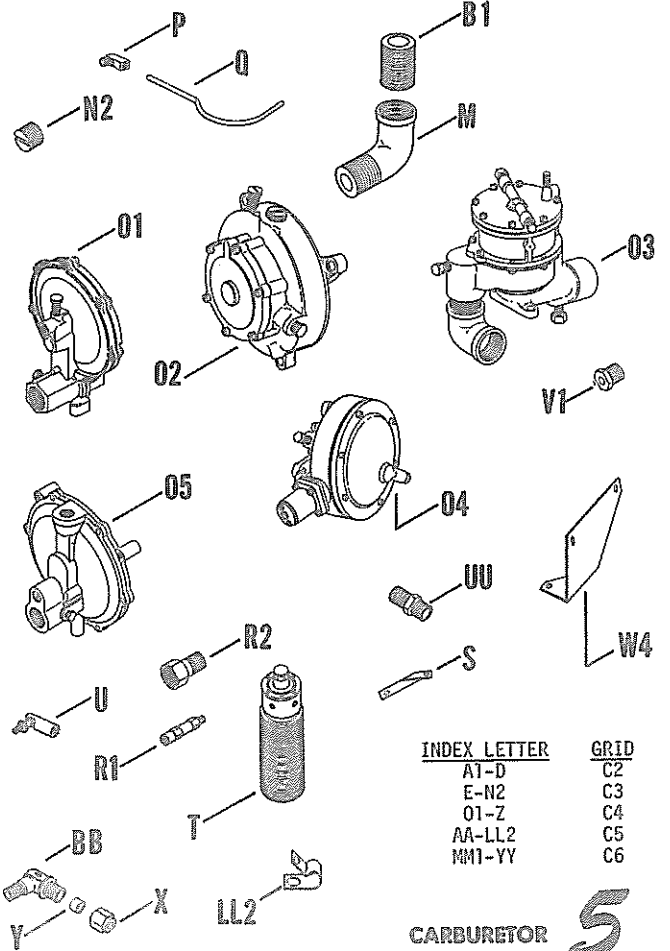


INDEX LETTER	GRID
A1-D	C2
E-N2	C3
AA-LL2	C5
MM1-YY	C6

INDEX LTR.	DESCRIPTION	VARIATION NUMBER	PART NUMBER	QTY.	INDEX LTR.	DESCRIPTION	VARIATION NUMBER	PART NUMBER	QTY.	
E	Baffle, carburetor	31,50,81	271370	1	K2	Gasket, carburetor	41	280007	1	
F	Baffle, de-icer	31,50,81	271369	1	L	Spacer, flange	7,9,28,31,73,81	270942	1	
G	Baffle, carburetor	31,50,81	271371	1			57,58,68	271454	1	
H	Baffle, heat	31,50,81	271375	1	M	Elbow, 90°	5,11,26,67,77	SA-472	1	
J1	Adapter, carburetor	5,11,26,67,77,79,80,84,86,87,96	270660	1			19,25,79,80,86,96	S-404	1	
J2	Adapter, carburetor	10,45	271029	1			19,30	EH-2248	1	
		39	271539	1			30	X-211-10	1	
J3	Adapter, carburetor	20,41,64,65,68,78,83,95	271162	1			30,60,69	X-211-3	2	
		32,42,56	271384	1			73,91	X-211-6	1	
J4	Adapter, carburetor	52	271651	1			84,87	S-404	2	
K1	Gasket, carburetor flange	1,2,3,4,5,10,11,16,18,19,22,25,26,27,30,32,39,40,41,42,45,48,52,53,54,56,60,67,69,74,77,79,80,84,86,87,91,96	270223	1			Elbow, 90° (Replaced by X-211-10)	19	AC-1457	3
		7,9,20,28,50,57,58,73,78,83,92,95	270223	2			40	AC-1457	2	
		10,32,39,42,45,56	271030	1	N1	Plug, pipe 1/2 sq. hd. solid	5,11,26,67,77,79,80,86,87	X-75-28	1	
		31,64,65,81	270223	3			Plug, pipe 1/8 sq. hd. solid	25	X-75-4	1
		68	270223	4	N2	Plug, pipe 1/4 slotted hd.	20,64,65,95	X-75-14	1	
							Plug, pipe 1/8 slotted hd.	30	X-75-12	2

ILLUSTRATION ON GRID C4 C5 C6

INDEX LTR.	DESCRIPTION VARIATION NUMBER	PART NUMBER	QTY.	INDEX LTR.	DESCRIPTION VARIATION NUMBER	PART NUMBER	QTY.
01	Regulator, secondary 5,11,16,26,52,67,77,200	B-240492	1	X	Nut 5,11	220786	2
02	Regulator, gas 19	A-271185	1		16,52	220786	4
03	Regulator, secondary (Discontinued--Not Available) 25	A-265082	1	Y	25,67,77	220786	1
04	Regulator, gas 30,40,60,69,91	A-271310	1		Sleeve 5,11	220547	2
05	Regulator, gas (Replaced by B-230695) 79,80,84,86,87,96	A-230695	1	Z	16,52	220547	4
P	Elbow, compression 39,42	X-299-1	1		25,67,77	220547	1
Q	Line, balance 3/16 O.D. x 6-1/16 (Discontinued--Not Available) 16,52	271111	1		Line, idle 3/16 O.D. x 12-1/2 5,11,67,77	X-294-1	1
R1	Filter 60,69,73,91	271924	1		Line, idle 3/16 O.D. x 8-7/8 16,52	271112	1
R2	Filter 79,80,86 87	151377 151377	1 2		Line, idle 3/16 O.D. x 7-11/16 25	270358	1
S	Brace 73,91	271926	1		Tubing, copper 1/8 x 8-1/2 39	271545	1
T	Vaporizer 40,60,69 73,91	271486 271925	1 1		Tubing, copper 1/8 x 17 42	X-302-14	1
U	Ball joint 10	271097	1				
V1	Bushing 3/4 x 1/2 16	153659	1				
V2	Bushing 3/4 x 3/8 25	X-202-31	1				
V3	Bushing 1 x 3/8 19,40 25	X-202-3 151226	1 1				
V4	Bushing 1 x 1/2 30,60,69	X-202-8	1				
W1	Bracket, vaporizer 40	271487	1				
W2	Bracket, vaporizer 60	271570	1				
W3	Bracket, vaporizer 69	271910	2				
W4	Bracket, vaporizer 73,91	271927	1				

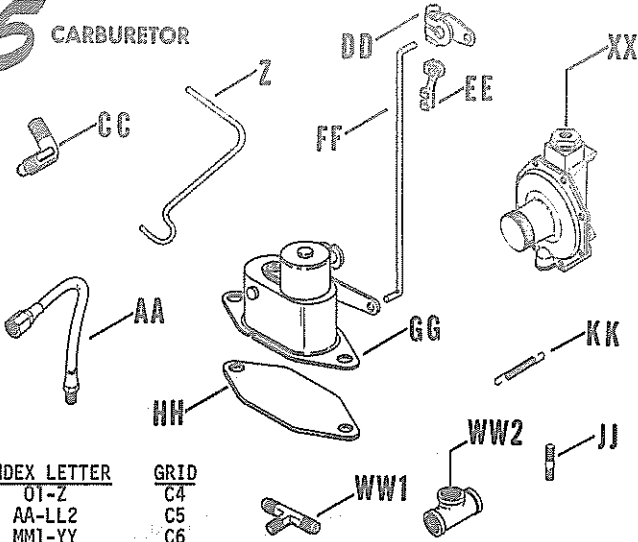


5
5

K662

ILLUSTRATION ON GRID C3 C4 C5

CARBURETOR



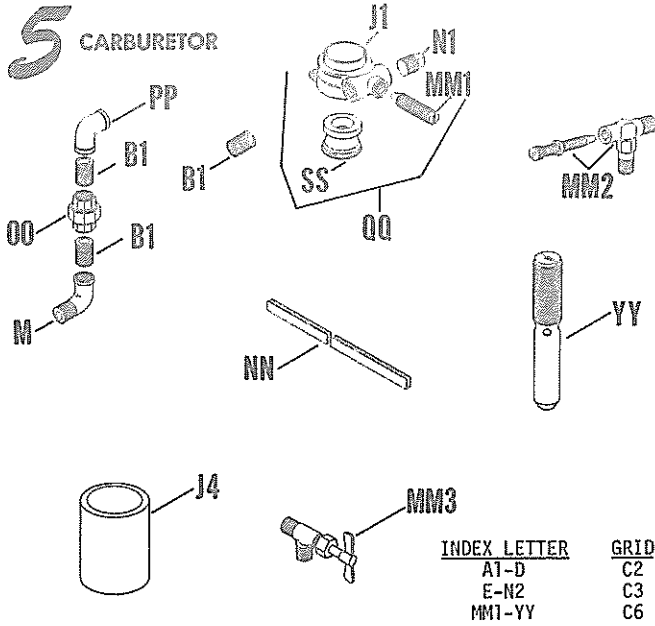
INDEX LETTER	GRID
OT-Z	C4
AA-LL2	C5
MM1-YY	C6

INDEX LTR.	DESCRIPTION VARIATION NUMBER	PART NUMBER	QTY.	
CC	Elbow, flare (Replaced by X-447-10)			
	19	A-607	1	
	40	A-607	2	
	Elbow, flare			
	30,60,64,69	X-447-10	1	
	73	X-447-11	1	
DD	Lever, choke			
	48	271623	1	
EE	Clip, choke rod			
	48	240291	2	
FF	Rod, choke			
	48	271595	1	
GG	Choke, automatic (12 volt)			
	48	265042	1	
HH	Gasket, choke			
	48	240285	1	
JJ	Stud, carburetor 3/8 x 1-5/16			
	1	A-574	2	
	Stud, adapter 3/8 x 1-3/8			
	2,3,4,5,10,11,15,16,18,20,22,25,26,27,32,39,41,42,45,48,50,52,53,54,56,65,67,74,77,78,79,80,83,84,86,87,95,96		271495	2
	Stud, carburetor 3/8 x 1-1/2			
	7,9,19,28,30,31,40,60,64,69,73,81,91	280009	2	
	Stud, carburetor (Replaced by 266236)			
	5/16 x 1-1/8			
	10,45	271031	2	
	Stud, carburetor 3/8 x 1-3/16			
	20,41,64,65,68,78,83,95	271150	1	
	Stud, carburetor 5/16 x 1-3/16			
	32,39,42,56	266236	2	
	Stud, carburetor 3/8 x 1-7/8			
	57,58	271705	2	
	Stud, carburetor 3/8 x 3/8			
	68	271907	2	
	Stud, carburetor 3/8 x 2-5/8			
	92	A-558	2	
KK	Spring, idle return and acceleration			
	22	271277	1	
LL1	Clamp, hose 1-3/8			
	5,11,30,31,50,60,65,67,69,81	X-426-8	2	
	25	X-426-3	2	
LL2	Clamp, hose			
	40,60,69	X-414-2	1	

INDEX LTR.	DESCRIPTION VARIATION NUMBER	PART NUMBER	QTY.
AA	Line, fuel 1/4 x 12		
	19	285188	1
	Line, fuel 3/16 x 5		
	19,40	266084	1
	Line, fuel 3/8 x 11		
	19,40,79,80,86,96	271178	1
	Line, fuel 1/4 x 10		
	19,80	265811	1
	Line, fuel 1/4 x 14		
	30,40,60,69	265462	1
	Line, fuel 5/16 x 26		
	40	X-446-3	1
	Line, fuel 1/4 x 8		
	60,69	270727	1
	Line, fuel 5/8 x 16-1/2		
	60,73	X-446-2	1
	Line, fuel 5/8 x 37		
	69,91	X-446-7	1
	Line, fuel		
	73	X-446-5	1
	Line, fuel 3/16 x 11-1/8		
	84,87	153813-5	1
	Line, fuel 3/8 x 9		
	84,87	275365	1
BB	Elbow		
	5,11,25,26,67,77	231510	1
	16	231510	2
	19	X-447-3	1
	40,60,69,91	X-447-1	1
	40,79,80,86,96	X-447-5	1
	52	231510	4

ILLUSTRATION ON GRID C3 C4 C5 C6

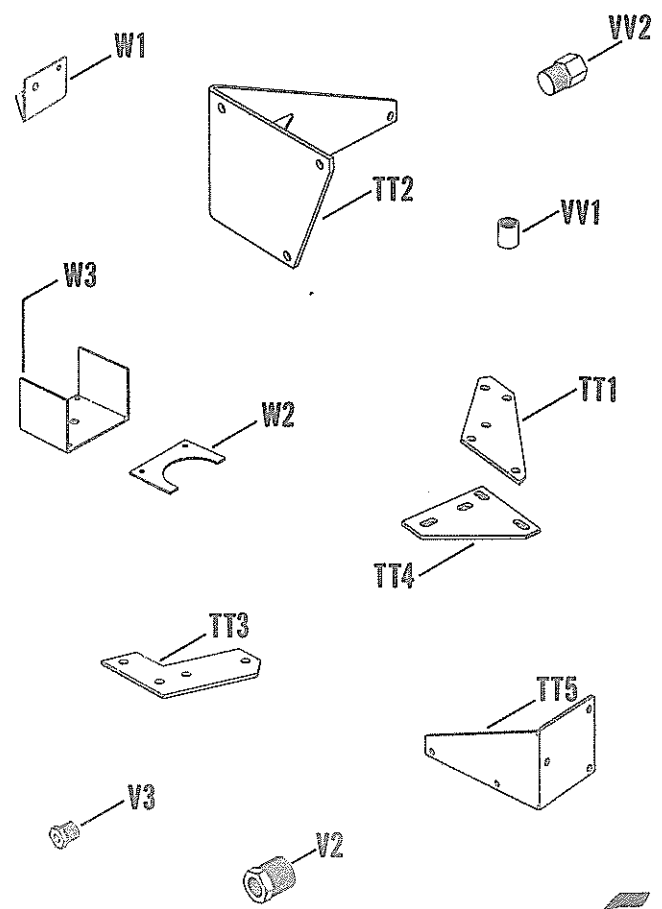
5 CARBURETOR



INDEX LETTER	GRID
A1-D	C2
E-N2	C3
MM1-YY	C6

INDEX LTR.	DESCRIPTION VARIATION NUMBER	PART NUMBER	QTY.
MM1	Valve, needle 5,11,26,67,77,79,80,84, 86,87,96	270662	1
MM2	Valve, needle 25	153797	1
MM3	Valve, needle 84,96	221282	1
NN	Channel, rubber 17 - 3/4 69	X-532-1	1
OO	Union, pipe 26,77	BA-2038	1
PP	Elbow 3/4 - 90° 5,11,26,67,77	X-215-4	1
QQ	Adapter, gas - assembly (Includes J1, SS & MM1) 5,11,26,67,77	A-270659	1
	Adapter, gas - assembly (Includes J1, SS & MM1) 79,80,86,87	A-275761	1
RR	Hose 1 I.D. x 3 5,11,67	X-356-9	1
	Hose 5/8 I.D. x 7-5/8 25	X-312-10	1
	Hose 7/8 I.D. x 6-3/4 30,60,69,91	X-527-5	1
SS	Venturi 5,11,26,67,77	270661	1
	79,80,84,86,87,96	275762	1
TT1	Bracket, regulator 5,11,67,79,80,84,86,87,96	270693	1
TT2	Bracket, regulator 19	271180	1

INDEX LTR.	DESCRIPTION VARIATION NUMBER	PART NUMBER	QTY.
TT3	Bracket, regulator 25	270356	1
TT4	Bracket, regulator 26,77	271282	1
TT5	Bracket, regulator 30,40,60,69,91	271311	1
UU	Connector 5,11,26,67,77	231509	1
VV1	Coupling, pipe 25	X-216-23	1
	80,84,87	X-216-24	1
VV2	Coupling, pipe 79,80,84,86,87,96	X-514-1	1
WW1	Tee, pipe 19	X-451-1	1
WW2	Tee, pipe 25	X-203-10	1
XX	Regulator, primary 16	271114	1
YY	Nozzle, gas 25	270349	1



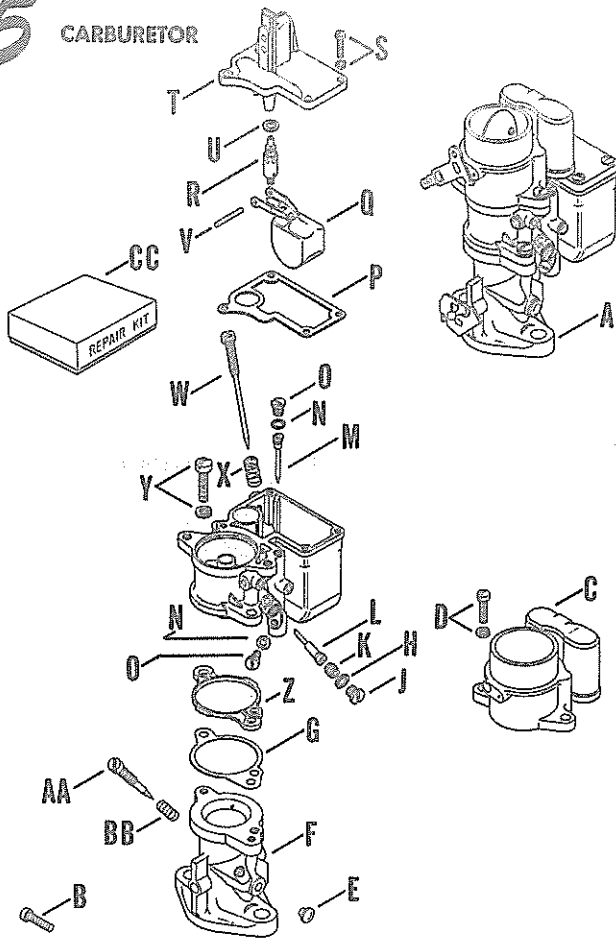
INDEX LETTER	GRID
O1-Z	C4
MM1-YY	C6

CARBURETOR 5

5
5

K662

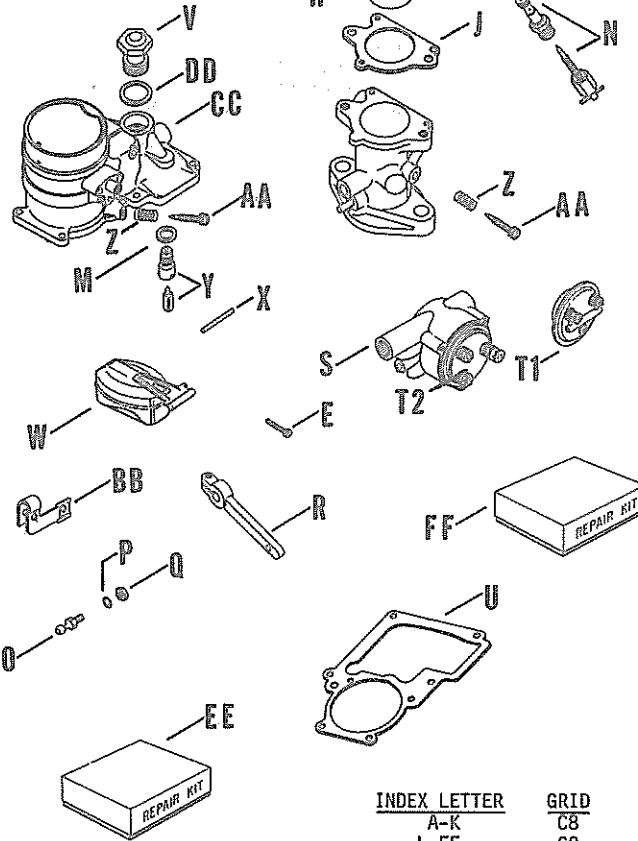
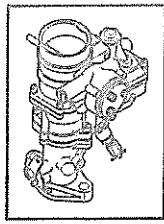
CARBURETOR



INDEX LTR.	DESCRIPTION VARIATION NUMBER	PART NUMBER	QTY.
A	Carburetor - assembly (Includes B thru BB) (Discontinued--Not Available) 1	B-270224	1
	4	B-270254	1
B	Screw, throttle lever adjusting 1,4	270481	1
C	Horn, air (Discontinued--Not Available) 1,4	270457	1
D	Screw and washer, air horn 1,4	270482	2
E	Plug, idle port rivet 1,4	270463	1
F	Flange, body (Discontinued--Not Available) 1	270454	1
	4	A-270580	1

INDEX LTR.	DESCRIPTION VARIATION NUMBER	PART NUMBER	QTY.
G	Gasket, body flange 1,4	270487	2
H	Gasket, nozzle (Discontinued--Not Available) 1,4	270470	1
J	Plug, nozzle passage 1,4	270464	1
K	Plug, nozzle retainer 1,4	270466	1
L	Nozzle 1,4	270467	1
M	Jet, low speed 1,4	270459	1
N	Gasket, plug 1,4	270469	2
O	Plug, low speed passage 1,4	270465	2
P	Gasket, bowl cover 1,4	270486	1
Q	Float and lever 1,4	270471	1
R	Needle, pin spring and seat 1,4	270472	1
S	Screw and washer, bowl cover 1,4	270484	4
T	Cover, bowl (Discontinued--Not Available) 1,4	270488	1
U	Gasket, needle seat (Discontinued--Not Available) 1,4	200371	2
V	Pin, float lever 1,4	200376	1
W	Screw, high speed adjusting (Discontinued--Not Available) 1,4	270475	1
X	Spring, high speed idle adjusting screw 1,4	270474	1
Y	Screw and washer, flange 1,4	270483	2
Z	Insulator 1,4	270489	1
AA	Screw, low speed idle adjustment 1,4	270473	1
BB	Spring, low speed idle adjusting screw 1,4	270477	1
CC	Repair kit, gasket (Discontinued--Not Available) 1,4	271549	1

5 CARBURETOR



INDEX LETTER
A-K
L-FF

GRID
C8
C9

INDEX LTR.	DESCRIPTION VARIATION NUMBER	PART NUMBER	QTY.
------------	------------------------------	-------------	------

Use stock of original part number before ordering replacement.

A*	Carburetor - assembly 2,7,22,48	A-270864	1
	3,5,25,26,53,79,84	B-270374	1
	27,28	A-271298	1
	54,67,77,80,86,87,96	B-271060	1
	74	A-271940	1
	81	A-272009	1
	199	A-271342-S	1

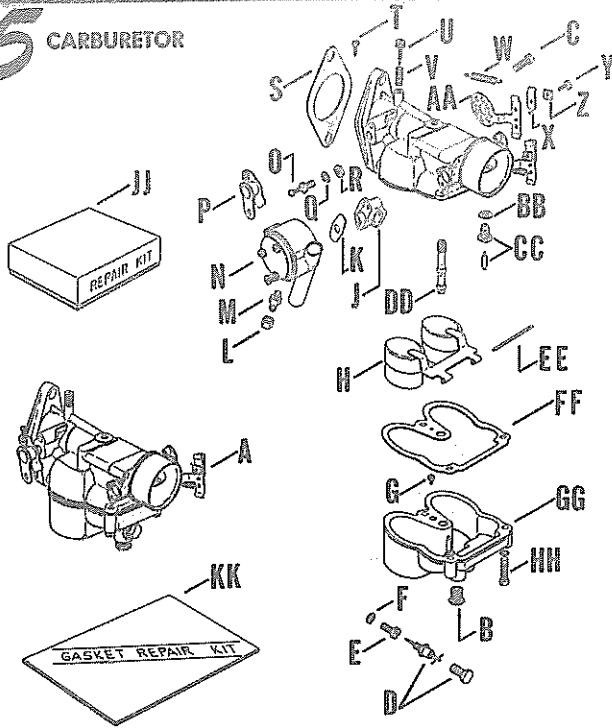
INDEX LTR.	DESCRIPTION VARIATION NUMBER	PART NUMBER	QTY.
	(A-CONTINUED)		
	Carburetor - assembly (6 volt choke) 9	A-271186	1
	Carburetor - assembly (Replaced by B-271060) 11	A-271060	1
	Carburetor - assembly (12 volt choke) 18	A-270993	1
	Carburetor - assembly (Replaced by A-271342-S) 31,50	A-271342	1
B1	Spring, choke lever 2,7,11,22,27,28,31,48,50, 54,67,77,80,81,86,87,96,199	272198	1
B2	Spring, choke 199	272010	2
C	Vent, well 2,7,9,18,22,27,28,48,74	272213	1
	3,5,11,25,26,31,50,53,54, 67,77,79,80,84,86,87,96	270710	1
	81,199	272033	1
D	Washer, fiber-main jet (Discontinued--Not Available) 2,7,9,18,22,48	A-1578	1
E	Screw, stop 3,5,9,11,18,25,26,27,28, 53,79,81,84,199	272100	1
F	Bowl, fuel 2,7,9,18,22,27,28,48,74,81, 199	272206	1
	3,5,11,25,26,31,50,53,54, 67,77,79,80,84,86,87,96	272189	1
G	Arm 199	272038	1
H	Venturi 2,7,9,18,22,27,28,48,74	272212	1
	3,5,11,25,26,53,54,67,77, 79,80	270712	1
	31,50	272224	1
	81,199	272209	1
	84,86,87,96	270712	1
J	Gasket, body to bowl 2,7,9,18,22,27,28,48,74, 81,199	280653	1
	3,5,11,25,26,31,50,53,54, 67,77,79,80,84,86,87,96	272194	1
K	Plug, pipe 1/8 2,3,5,7,9,11,18,22,25,26, 27,28,31,48,50,53,54,67, 74,77,79,80,81,84,86,87, 96,199	X-75-4	1

*For components furnished with the assembly, check items B1 thru H for the variation number involved.

ILLUSTRATION ON GRID C8

INDEX LTR.	DESCRIPTION VARIATION NUMBER	PART NUMBER	QTY.	INDEX LTR.	DESCRIPTION VARIATION NUMBER	PART NUMBER	QTY.
L	Jet, discharge 2,7,9,18,22,27,28,48,74, 81,199	271869	1	X	Axle, float (Discontinued--Not Available)		
	3,5,11,25,26,31,50,53,54, 67,77,79,80,84,86,87,96	270711	1		2,3,5,7,9,11,18,22,25,26, 27,28,48,53,54,67,74,77,79, 80,81,84,86,87,96,199	D-3641	1
M	Washer, main jet adjusting 2,7,9,11,18,22,27,28,31,48, 50	A-1579	1	Y	Axle, float 31,50	272222	1
	3,5,25,26,53,54,67,74,77, 79,80,81,84,86,87,96,199	A-1579	2		Valve and seat, fuel 2,7,9,11,18,22,27,28,31,48, 50,54,67,74,77,80,81,86,87, 96,199	271911	1
N	Main, jet and adjusting 2,7,9,18,22,27,28,31,48, 50,74	271507	1	Z	Spring, adjusting needle 2,3,5,7,9,11,18,22,25,26, 27,28,48,53,54,67,74,77, 79,80,81,84,86,87,96,199	270702	1
	3,5,11,25,26,53,54,67,77, 78,80,81,84,86,87,96,199	270713	1		31,50	271971	1
O	Ball joint ALL	271221	1	AA	Needle, idle adjusting 2,7,9,18,22,27,28,48, 74,81,199	270701	1
P	Lock washer, ball joint 2,3,5,7,9,11,18,22,25,26, 27,28,31,48,50,53,54,67, 74,77,79,80,81,84,86,87, 96,199	272101	1		3,5,11,25,26,53,54,67,77, 79,80,84,86,87,96	272188	1
					31,50	272221	1
Q	Nut, ball joint 2,7,9,18,22,27,28,31,48,50, 54,67,74,77,80,81,86,87,96, 199	271972	1	BB	Bracket, choke 2,7,22,27,28,31,48,50,54, 67,77,80,81,86,87,96,199	272187	1
R	Lever, throttle clamp 2,7,11,22,27,28,31,48,50, 54,67,77,80,81,86,87,96, 199	271467	1	CC	Air, intake 2,7,22,48	271733	1
					3,5,25,26,53,79,84	272200	1
S	Choke, automatic (12 volt) (Includes T1) (270906 element must be installed for 6 volt applications) 3,5,9,18,25,53,74,79,84	280643	1		9,18	280641	1
					27,28,81,199	272204	1
T1	Element, choke (12 volt) (Discontinued--Not Available) 3,5,18,25,26,53,74,79,84	270907	1		31,50	272220	1
					54,67,77,80,86,87,96	272185	1
T2	Element, choke (6 volt) 9	270906	1	DD	Washer, filter head 2,3,5,7,9,11,18,22,25,26, 27,28,31,48,50,53,54,67, 74,77,79,80,81,84,86,87, 96,199	280647	1
U	Gasket, bowl to intake 2,3,5,7,9,11,18,22,25,26, 27,28,31,48,50,53,54,56, 74,77,79,80,81,84,86,87, 96,199	270815	1	EE	Repair kit, carburetor 2,3,5,7,9,11,18,22,25,26, 27,28,31,48,50,53,54,67, 74,77,79,80,81,84,86,87, 96,199	272408	1
V	Head, filter 2,3,5,7,9,11,18,22,25,26, 27,28,31,48,50,53,54,56, 74,77,79,80,81,84,86,87, 96,199	272186	1	FF	Repair kit, gasket 2,7,22,27,28,48,74,81,199	270976	1
					3,5,11,25,31,50,53,54,67, 77,79,80,84,86,87,96	270714	1
W	Float 2,3,5,7,9,11,18,22,25,26, 27,28,31,48,50,53,54,67, 74,77,79,80,81,84,86,87, 96,199	270706	1	GG	Repair kit, gasket (Discon- tinued--Not Available) 9,18	280665	1
				HH	Jet, accelerating 3,5,11,26,53,79,84	272192	1
					Bushing, idle channel 3,5,11,26,53,79,84	272191	1

5 CARBURETOR



INDEX LTR.	DESCRIPTION VARIATION NUMBER	PART NUMBER	QTY.
A*	Carburetor - assembly 10,45	A-271015	1
	32	A-271383	1
	39	A-271343	1
	42	A-271517	1
	56	A-271655	1
B	Plug, bowl drain 10,32,39,42,45,56	X-75-4	1
C	Screw, bracket 10,32,45,56	272162	2
D	Plug, lower - main jet 10,32,39,42,45,56	272112	1
E	Jet, main 10,32,39,42,45	272155	1
	56	272216	1
F	Washer, fiber - main jet (Discontinued--Not Available) 10,32,39,42,45,56	A-1578	1
G	Jet, idle 10,32,39,42,45,56	272156	1
H	Float and hinge 10,32,39,42,45,56	271997	1
J	Adapter, automatic choke 39,42	272230	1
K	Gasket, choke adapter 39,42	272231	1

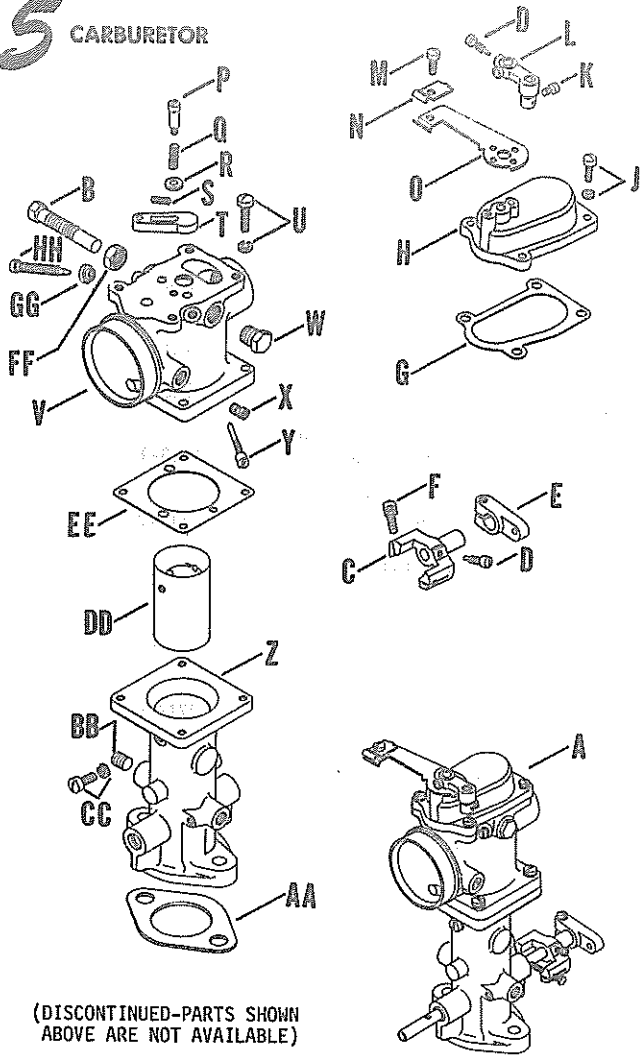
INDEX LTR.	DESCRIPTION VARIATION NUMBER	PART NUMBER	QTY.
L	Nut, union 39,42	272234	1
M	Union, choke housing tube 39,42	272233	1
N	Choke, automatic (12 volt) 39,42	272232	1
O	Ball joint 10,32,39,42,45,56	271221	1
P	Lever and stop, throttle 10,39,45	272170	1
	32,42,56	272215	1
Q	Lockwasher, ball joint 10,32,39,42,45,56	X-19-1	1
R	Nut, ball joint 10,32,39,42,45,56	271972	1
S	Gasket, flange 10,32,39,42,45,56	272184	1
T	Screw, throttle stop 10,32,39,42,45,56	272100	1
U	Needle, idle adjustment 10,32,39,42,45,56	271996	1
V	Spring, idle needle 10,32,39,42,45,56	272171	1
W	Spring, choke lever 10,32,45,56	272175	1
X	Clip, bracket 10,32,45,56	271984	1
Y	Screw, lever swivel 32	X-14-11	1
Z	Nut, clamp screw 32	X-72-5	1
AA	Bracket, choke 10,32,45,56	272174	1
BB	Washer, fiber - fuel valve seat 10,32,39,42,45,56	271506	1
CC	Valve and seat, fuel 39	271760	1
DD	Jet, discharge 10,32,39,42,45,56	271505	1
EE	Axle, float 10,32,39,42,45,56	272177	1
FF	Gasket, bowl to body 10,32,39,42,45,56	271922	1
GG	Bowl, fuel 10,32,39,42,45,56	272178	1
HH	Screw, bowl 42	234469	1
JJ	Repair kit, carburetor 10,32,39,42,45,56	271796	1
KK	Repair kit, gasket 10,32,39,42,45,56	271584	1

*For components furnished with the assembly, check items B thru KK for the variation number involved.

5

K662

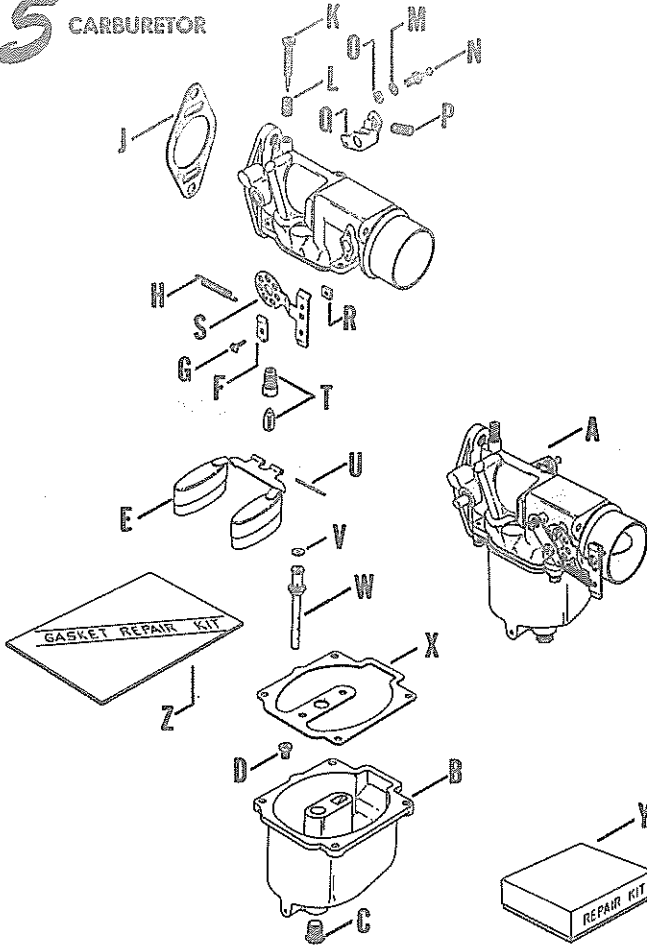
CARBURETOR



INDEX LTR.	DESCRIPTION VARIATION NUMBER	PART NUMBER	QTY.
J	Screw and split washer, cover plate 16,52	X-15-12	4
K	Screw, choke swivel 16,52	272398	1
L	Lever, choke 16,52	272244	1
M	Screw, support clamp 16,52	272399	1
N	Clamp, choke support 16,52	272245	1
O	Support, choke 16,52	272247	1
P	Screw, valve lever pivot 16,52	272401	1
Q	Spring, pressure 16,52	272249	1
R	Washer, spring retainer 16,52	272250	1
S	Spring, latching 16,52	272269	1
T	Lever, valve 16,52	272270	1
U	Screw and split washer, air horn 16,52	272400	4
V	Housing, air horn with nozzle 16,52	272254	1
W	Plug, fuel adjusting 16,52	272251	1
X	Screw, balance tube orifice 16,52	272402	1
Y	Plug, starting adjusting 16,52	261253	1
Z	Tube, throttle 16,52	272261	1
AA	Gasket, manifold 16,52	272264	1
BB	Plug, pipe 16,52	X-75-4	1
CC	Screw and split washer, venturi 16,52	272404	1
DD	Venturi #30 16,52	272256	1
EE	Gasket, air horn 16,52	272255	1
FF	Locknut, fuel adjusting 16,52	272268	1
GG	Locknut, starting adjusting 16,52	272405	1
HH	Screw, starting adjusting 16,52	272266	1

INDEX LTR.	DESCRIPTION VARIATION NUMBER	PART NUMBER	QTY.
A	Carburetor - assembly (Includes B thru HH) (Discontinued--Not Available) 16,52	A-271105	1
B	Screw, fuel adjusting (Discontinued--Not Available) 16,52	272267	1
C	Collar, throttle shaft 16,52	272265	1
D	Screw, set 16,52	272397	3
E	Lever, throttle 16,52	272258	1
F	Screw, throttle stop adjusting 16,52	272257	2
G	Gasket, cover plate 16,52	272271	1
H	Plate, cover 16,52	272272	1

5 CARBURETOR



INDEX LTR.	DESCRIPTION VARIATION NUMBER	PART NUMBER	QTY.
------------	------------------------------	-------------	------

(ALL includes variations 20, 41, 64, 65, 68, 78, 83 and 95)

A*	Carburetor - assembly 20,64,65,68,78	A-271881	1
	41	A-271477	1
	83	B-272041	1
	95	49 053 01	1
B	Bowl, fuel ALL	271985	1
C	Plug, bowl drain ALL	X-75-4	1
D	Jet, main 20,41,64,65,68,78,95	271986	1
	Jet, main (Use 272241 for 6,000 ft. elevation; use 272242 for 12,000 ft. elevation)		
	83	272411	1

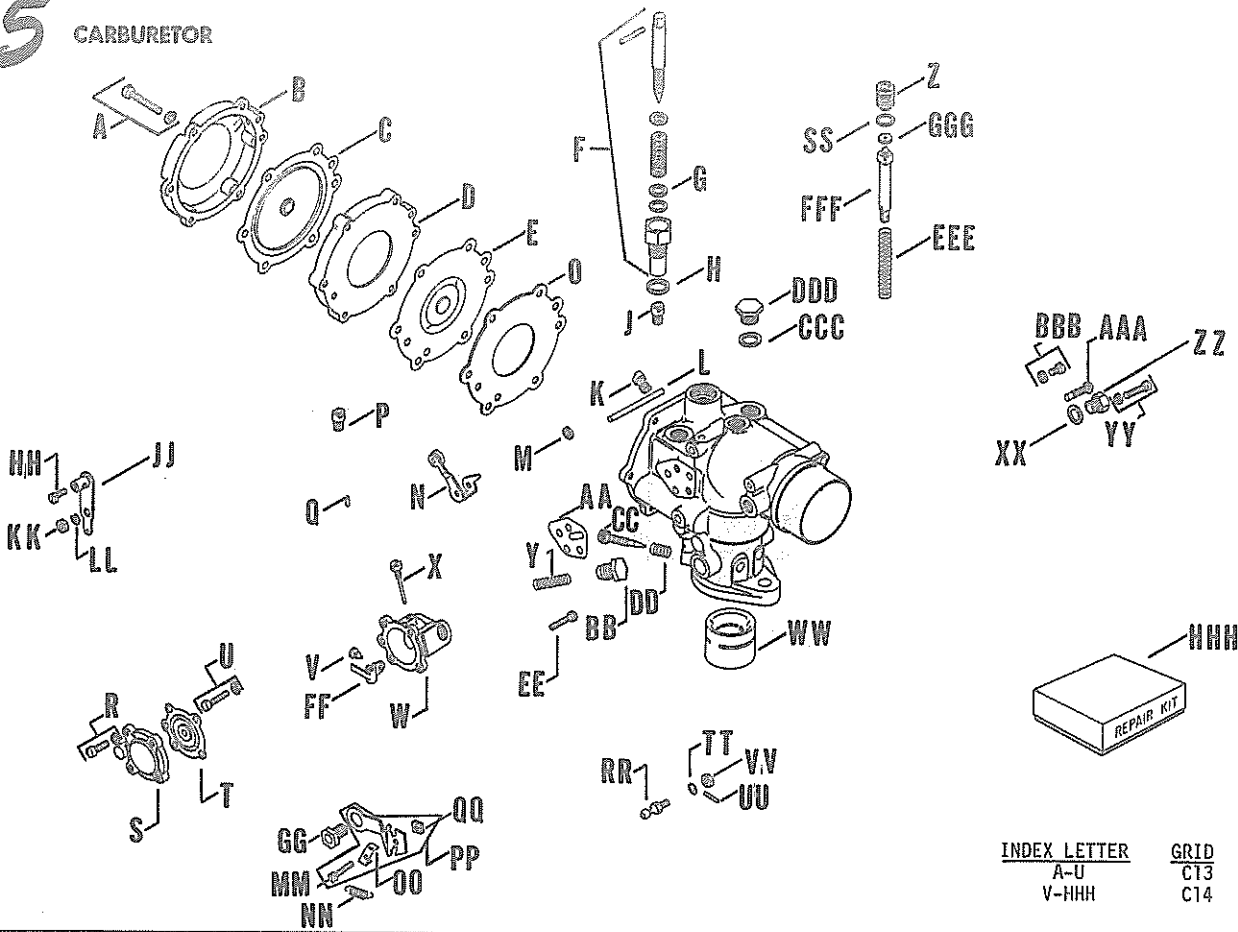
INDEX LTR.	DESCRIPTION VARIATION NUMBER	PART NUMBER	QTY.
E	Float and hinge ALL	271948	1
F	Clip, bracket ALL	271984	1
G	Screw, choke lever swivel 41,83	X-14-11	1
H	Spring, return-shutter lever ALL	271982	1
J	Gasket, flange ALL	271990	1
K	Needle, idle adjusting ALL	271975	1
L	Spring, idle adjusting needle ALL	271976	1
M	Split washer, ball joint 41,83	X-19-1	1
N	Ball joint 20,41,64,65,68,78,95	271221	1
O	Nut, ball joint 20,41,64,65,68,78,95	271972	1
P	Spring, stop ALL	271971	1
Q	Lever, air shutter ALL	271981	1
R	Nut, tube clamp screw ALL	X-72-5	1
S	Bracket, air shutter ALL	271983	1
T	Valve and seat, fuel 20,64,65,68,78,83,95	271893	
	41	271911	1
U	Axle, float (Discontinued--Not Available) 20,41,64,65,68,78,95	D-3641	1
	83	272222	1
V	Washer, seal-well and vent ALL	271988	1
W	Well and vent, discharge 41	271987	1
X	Gasket, bowl to body ALL	271886	1
Y	Repair kit, carburetor 20,41,64,65,68,78,95	272050	1
	83	272432	1
Z	Repair kit, gasket 20,41,64,65,68,78,95	272163	1

*For components furnished with the assembly, check items B thru T as listed for the variation number involved.

5
5

K662

CARBURETOR



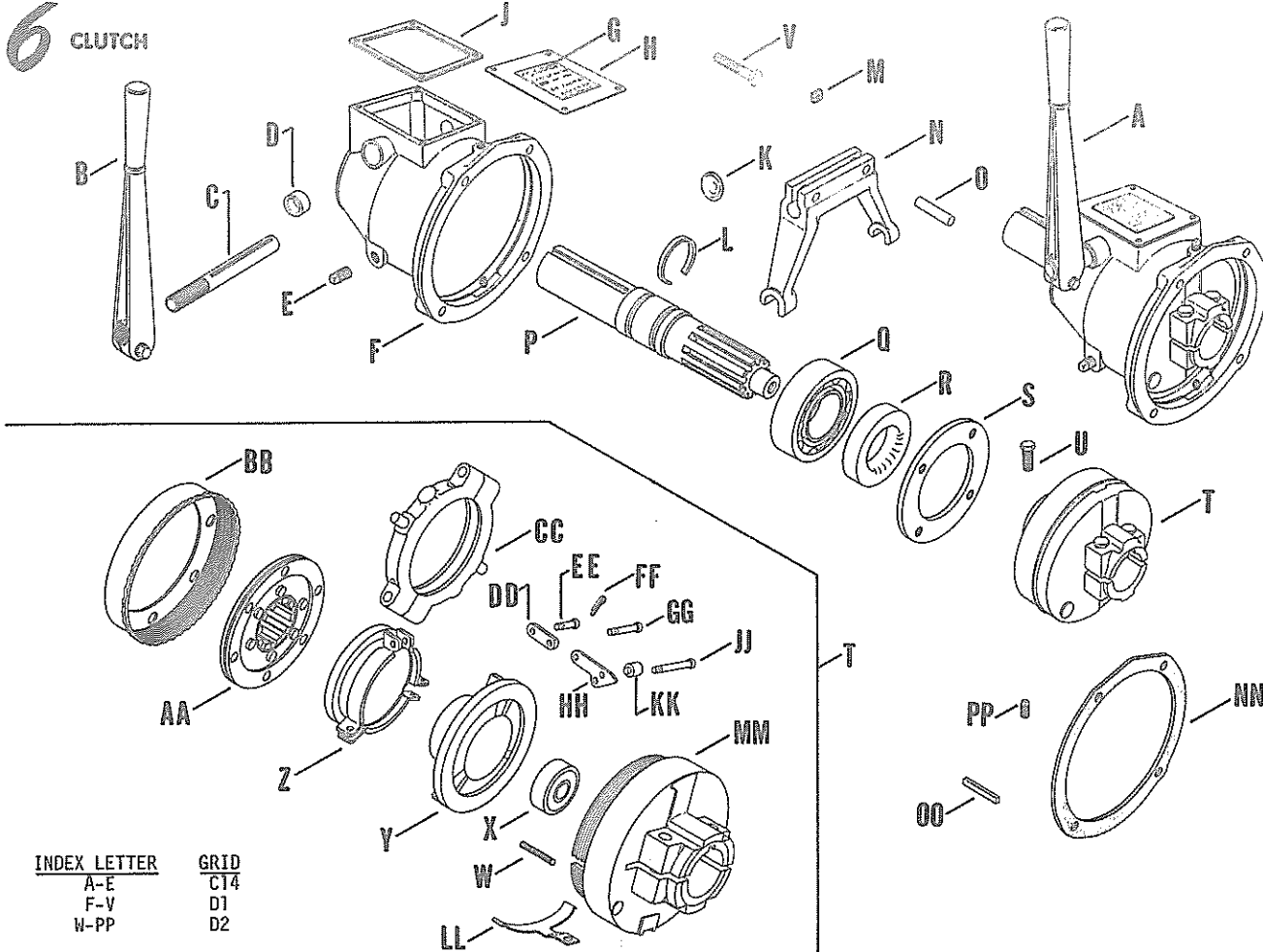
INDEX LETTER GRID
A-U C13
V-HHH C14

INDEX LTR.	DESCRIPTION VARIATION NUMBER	PART NUMBER	QTY.	INDEX LTR.	DESCRIPTION VARIATION NUMBER	PART NUMBER	QTY.
	Carburetor - assembly (Includes A thru GGG) 73	A-271923	1	K	Jet, compensating 73	272116	1
A	Screw and split washer 73	272080	6	L	Axle, lever 73	272068	1
B	Cover, diaphragm 73	272079	1	M	Washer (Discontinued--Not Available) 73	A-1578	1
C	Diaphragm, outer 73	272078	1	N	Lever, diaphragm 73	272067	1
D	Spacer, diaphragm 73	272077	1	O	Gasket, inner diaphragm 73	272075	1
E	Diaphragm, inner 73	272076	1	P	Screw, set 73	272074	1
F	Jet, adjusting-main 73	272082	1	Q	Plug, nylon 73	272073	1
G	"O" ring 73	272083	1	R	Screw and split washer 73	272095	4
H	Washer 73	272066	1	S	Cover, housing 73	272094	1
J	Jet, main 73	272115	1	T	Diaphragm, idle control 73	272092	1
				U	Screw and split washer 73	272097	2

ILLUSTRATION ON GRID C13

INDEX LTR.	DESCRIPTION VARIATION NUMBER	PART NUMBER	QTY.	INDEX LTR.	DESCRIPTION VARIATION NUMBER	PART NUMBER	QTY.
V	Disc, valve 73	277898	1	TT	Washer, split 73	272101	1
W	Housing, idle 73	272085	1	UU	Pin, throttle stop lever 73	272315	1
X	Axle, lever 73	272087	1	VV	Nut 73	271972	1
Y	Spring, valve 73	272089	1	WW	Venturi 73	272113	1
Z	Orifice, inlet 73	272072	1	XX	Washer 73	A-1579	1
AA	Gasket, housing 73	272096	1	YY	Screw and washer 73	272114	1
BB	Plug, training 73	272090	1	ZZ	Plug 73	272112	1
CC	Needle, idle adjusting 73	272081	1	AAA	Plug, cup 73	272064	1
DD	Spring 73	270702	1	BBB	Screw, axle retaining 73	272093	1
EE	Screw 73	272100	1	CCC	Washer 73	272091	1
FF	Lever, diaphragm 73	272086	1	DDD	Plug 73	272065	1
GG	Screw, bracket-retaining 73	272110	1	EEE	Spring, valve 73	272071	1
HH	Screw 73	272106	1	FFF	Valve, fuel 73	272069	1
JJ	Lever, stamped 73	272105	1	GGG	Disc, valve 73	272070	1
KK	Nut 73	271980	1	HHH	Repair kit, carburetor 73	271937	1
LL	Washer, split 73	X-19-1	1	CLUTCH 6			
MM	Screw 73	272100	1	ILLUSTRATION ON GRID D1			
NN	Spring, return 73	271982	1	INDEX LTR.	DESCRIPTION VARIATION NUMBER	PART NUMBER	QTY.
OO	Clip, bracket 73	272108	1	A	Clutch - assembly (Use A-274007 prior to serial no. 312752) 1,3	B-274041	1
PP	Bracket 73	272107	1	B	Lever, shifting 1,3	A-234026	1
QQ	Nut 73	X-72-5	1	C	Shaft, yoke 1,3	274117	1
RR	Ball, lever 73	271221	1	D	Seal, oil 1,3	X-271-19	1
SS	"O" ring inlet orifice 73	272314	1	E	Plug, pipe 1/4 1,3	X-75-2	2

(CONTINUED ON GRID D1)



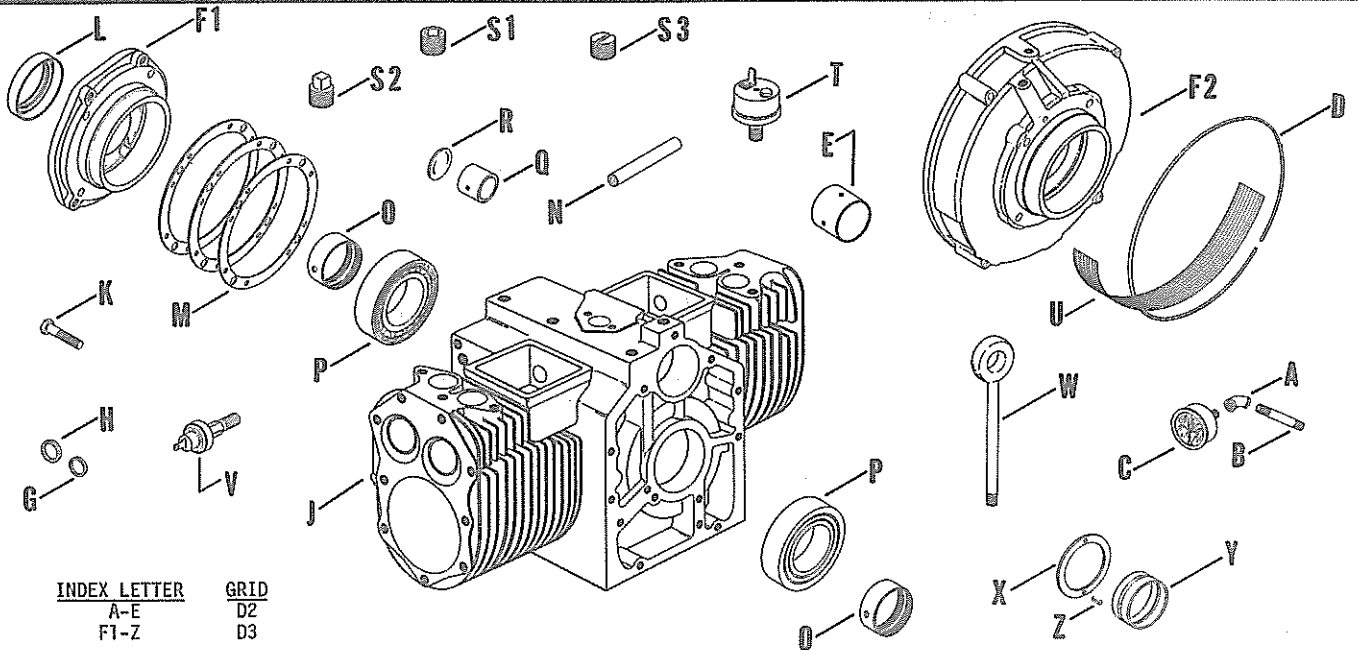
INDEX LETTER	GRID
A-E	C14
F-V	D1
W-PP	D2

INDEX LTR.	DESCRIPTION VARIATION NUMBER	PART NUMBER	QTY.	INDEX LTR.	DESCRIPTION VARIATION NUMBER	PART NUMBER	QTY.
F	Housing, power take-off 1,3	234074	1	O	Pin, roll 1	274101	1
G	Plate, instruction 1,3	234089	1	P	Shaft, drive 1,3	234039	1
H	Cover, clutch 1,3	234032	1	Q	Bearing, ball 1,3	234035	1
J	Gasket, clutch cover 1,3	234033	1	R	Seal, oil 1,3	234038	1
K	Plug, welch 1-1/4 1,3	X-230-14	1	S	Plate, bearing retainer 1,3	234036	1
L	Ring, snap 1,3	234037	2	T	Clutch - assembly (Includes AA thru MM) 1,3	A-234075	1
M	Key, clutch yoke 3	234040	2	U	Screw (Discontinued--Not Available) 1	234145	1
N	Yoke, clutch 1,3	A-234027	1	V	Screw, 1/4 - 20 x 1-1/4 1	X-776-1	4

ILLUSTRATION ON GRID D1

INDEX LTR.	DESCRIPTION VARIATION NUMBER	PART NUMBER	QTY.	INDEX LTR.	DESCRIPTION VARIATION NUMBER	PART NUMBER	QTY.
V	Spring, return 1,3	234055	3	GG	Pin, link (long) 1,3	234051	3
X	Bearing, pilot 1,3	234042	1	HH	Lever, pressure plate 1,3	234046	6
Y	Plate, pressure 1,3	A-234045	1	JJ	Pin, lever 1,3	234047	3
Z	Sleeve, release 1,3	234054	1	KK	Roller 1,3	234048	3
AA	Member, driven 1,3	A-234044	1	LL	Lock, adjusting 1,3	234043	1
BB	Ring, adjusting 1,3	234056	1	MM	Housing, clutch 1,3	234041	1
CC	Bearing, release 1,3	A-234053	1	NN	Gasket, clutch 1	274042	1
DD	Link, connecting 1,3	234050	6		3	274008	1
EE	Pin, link (short) 1,3	234052	3	OO	Key, square 1,3	X-286-8	1
FF	Pin, cotter 1/16 x 3/8 1,3	X-36-4	6	PP	Plug, vent 1,3	270219	1

7 CRANKCASE



INDEX LTR.	DESCRIPTION VARIATION NUMBER	PART NUMBER	QTY.	INDEX LTR.	DESCRIPTION VARIATION NUMBER	PART NUMBER	QTY.
<div style="border: 1px solid black; padding: 5px; display: inline-block;"> Use stock of original part number before ordering replacement. </div>				C	Gauge, oil pressure 7,12,14,16,18,28,35,38, 200	240981	1
A	Elbow 1/8 x 45° 7,18,28,38,100	168030	1	D	Wire, snap 7,8,12,16,36,38,100	241122	1
B	Nipple 1/8 x 2-1/2 7,18,28,38	167196	1	E	Bushing, camshaft front ALL	270027	1

7

K662

ILLUSTRATION ON GRID D2

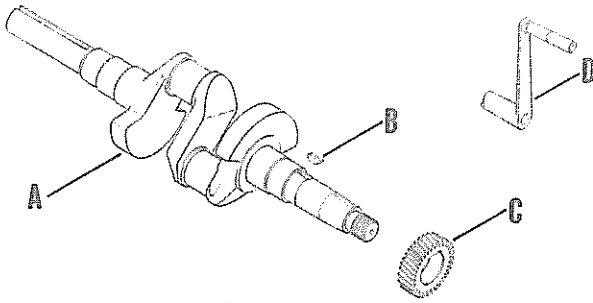
INDEX LTR.	DESCRIPTION VARIATION NUMBER	PART NUMBER	QTY.	INDEX LTR.	DESCRIPTION VARIATION NUMBER	PART NUMBER	QTY.
F1	Plate, rear closure 1,6,11,21,35,39,40,43	270611	1	N	Guide, valve ALL	270007-S	4
	2	270629	1		Guide, valve .010 O.S. (Replaced by 270057-S) ALL	270057	
	3,15	270630	1	0	Sleeve, transfer ALL	270626	2
	Plate, rear closure (Discontinued--Not Available) 13	270631	1		Sleeve, transfer .010 U.S.	271295	
F2	Bracket, generator support 7,8,12,14,16,32,36,38,100	270679	1		Sleeve, transfer .020 U.S.	271296	
	Plate, rear closure 22,28	271338	1	P	Bearing, roller ALL	270625	2
G	Insert, exhaust valve ALL	270040	2	Q	Bushing, camshaft rear ALL	270028	1
H	Insert, intake valve ALL (except 18,19)	275281	2	R	Plug, welch 1-1/2 dia. ALL	160037	1
J	Block, cylinder - assembly (Includes E,G,H,N & Q) (Replaced by 49 005 01) 1,2,3,6,7,8,11,12,13,14,15, 16,22,28,32,35,36,38,39,40, 43,100	A-270600	1	S1	Plug, hex. ctsk. 1,7,8,15,16,22,28,40,43,100	X-75-23	1
	21	A-271337	1		3	X-75-23	2
	Block, cylinder - assembly (Discontinued--Not Available) (Includes E,G,N & Q) 18,19	A-270005	1	S2	Plug, 1/8 sq. hd. solid 1,32	X-75-1	5
					2,12,15,19,21,36,40	X-75-1	4
					3,43	X-75-1	6
					7,8,18,22,35,38,39,100	X-75-1	3
K	Screw, hex. hd. 3/8 - 16 x 1-3/4 1,6,11,13,21,22,28,35,39,40, 43	270721	4	S3	Plug, 1/8 slotted 6	X-75-17	5
	Screw, hex. hd. 3/8 - 16 x 1-1/4 2,3,7,8,12,14,15,16,18,19, 32,36,38,100	270956	4		13,14	X-75-17	4
					35,38	X-75-17	1
L	Seal, rear oil 2 I.D. (Use X-271-18 [2-1/4 I.D.] prior to serial no. 273651) ALL	X-379-1	1	T	Switch, oil cutout 39	271425	4
M	Gasket, shim .007 ALL (except 18,19)	270627	A.R.	U	Screen, generator bracket 14,18,19	270683	1
	Gasket, shim .005 ALL (except 18,19)	270628	A.R.	V	Cutout, oil pressure 14,16	240980	1
	Gasket, shim .020 (Steel) ALL (except 18,19)	271698	A.R.	W	Bolt, eye 16,36,38	271177	1
	Gasket, shim .020 6,11,12,13,14,35	270622	A.R.	X	Washer, thrust (Discontinued--Not Available) 18,19	270019	2
	Gasket, shim .005 18,19	270397	3	Y	Bushing, main bearing (Discontinued--Not Available) 18,19	270082	2
	Gasket, shim .010 & .020 18,19	270396	3	Z	Pin, lock 18,19	270020	4

8.9

K662

8.9

8 CRANKSHAFT

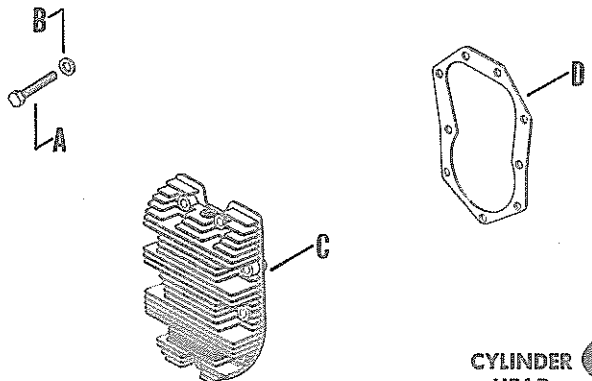


INDEX LTR.	DESCRIPTION VARIATION NUMBER	PART NUMBER	QTY.
D	Crank 9,12,15,37,42,500,501	A-274055	1
	17	A-271094	1
	502	A-270277	1
	① Clutch		
	② Standard-tapped		
	③ Pump		

9 CYLINDER HEAD

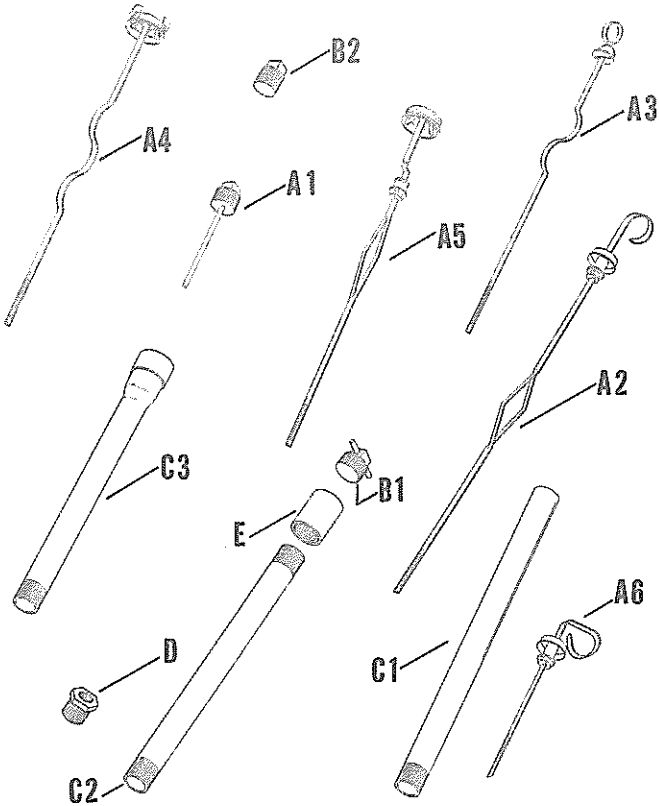
INDEX LTR.	DESCRIPTION VARIATION NUMBER	PART NUMBER	QTY.
A	Crankshaft 1	270624	1
	4, 501	270633 ①	1
	7	270682	1
	8,29	221548 ②	1
	9	270681 ③	1
	12	271049	1
	19	270671	1
	22	271339	1
	23	271385	1
	26	271518	1
	27	271491	1
	31	271659	1
	41	271861	1
	Crankshaft (Discontinued-- Not Available) 3	270639	1
	15	270734	1
	17	271121	1
	20	270381	1
	37	271764	1
	42	272040	1
B	Key, woodruff ALL	X-42-11	1
C	Gear, crankshaft ALL	270138	1

INDEX LTR.	DESCRIPTION VARIATION NUMBER	PART NUMBER	QTY.
A	Screw, cylinder head 1,3	270158	18
	2	270721	17
	2,4	270158	1
	4	271077	1
B	Washer, head 1,2,3	270889	18
	4	270889	19
C	Head, cylinder 1,2,4	C-270403	2
	Head, cylinder (Discontinued-- Not Available) 3	A-271730	2
D	Gasket, head 1,2,3,4	275156	2



9 CYLINDER HEAD

DIPSTICK



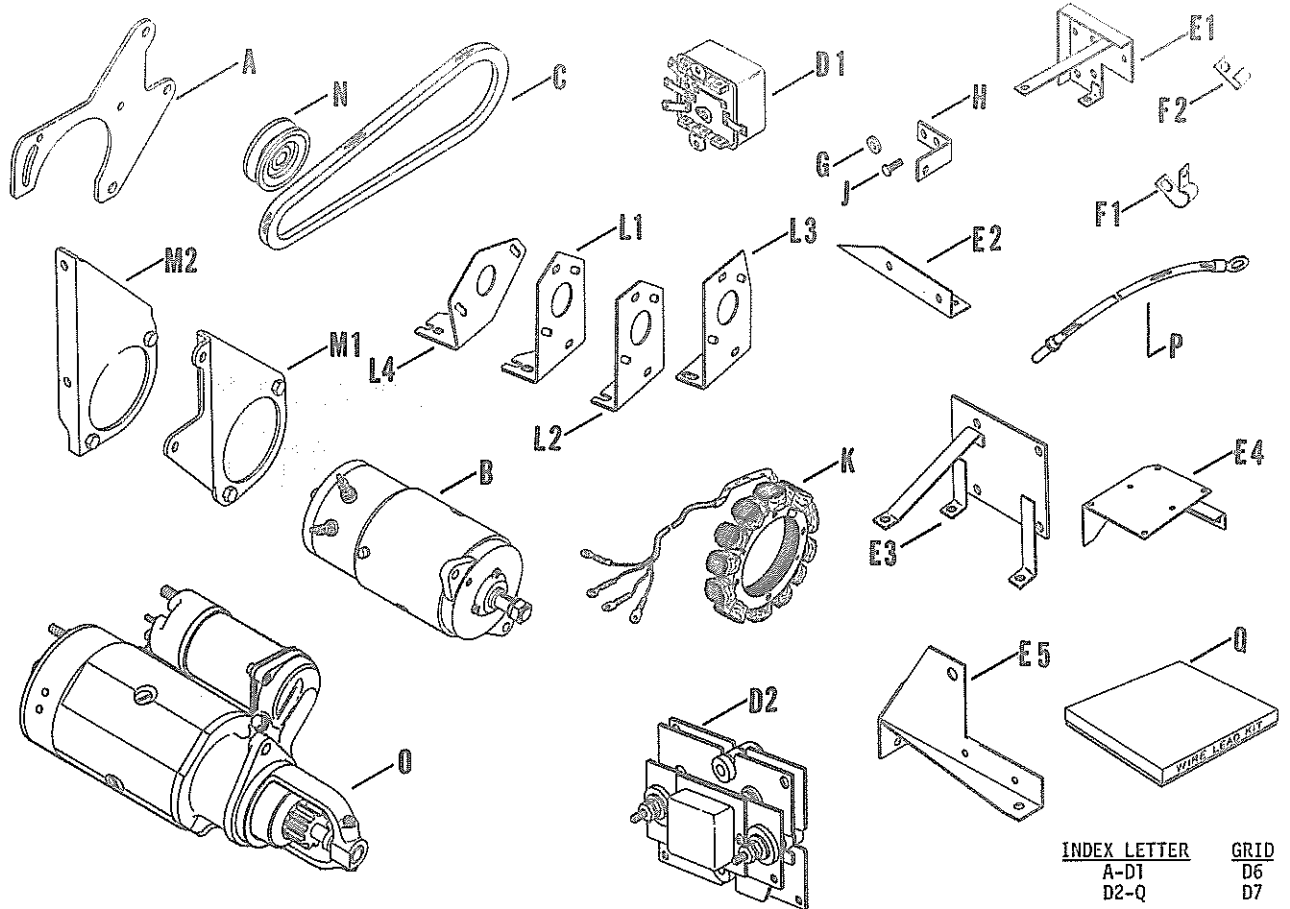
INDEX LTR.	DESCRIPTION VARIATION NUMBER	PART NUMBER	QTY.
------------	------------------------------	-------------	------

INDEX LTR.	DESCRIPTION VARIATION NUMBER	PART NUMBER	QTY.
	(A4-CONTINUED)		
	Dipstick (Replaced by 271840) 13,18	A-271840	1
	Dipstick 12-1/16" blade (Replaced by 271842) 20	A-271842	1
	Dipstick 23" blade (Replaced by 272015) 26	A-272015	1
A5	Dipstick 15-23/32" blade 22	A-271894	1
A6	Dipstick 5-3/4" blade 24	271964	1
B1	Plug, pipe 4	271183	1
B2	Plug, pipe 7,101	X-75-6	1
C1	Tube, oil fill 14-3/4 2	271614	1
	Tube, oil fill 1-7/8 3	275274	1
	Tube, oil fill 3 24	271963	1
C2	Tube, oil fill 10-7/8 4	271184	1
C3	Tube, oil fill 11-11/16 (Replaced by A-271825) 6	A-271333	1

INDEX LTR.	DESCRIPTION VARIATION NUMBER	PART NUMBER	QTY.
	Use stock of original part number before ordering replacement.		
A1	Dipstick 3-3/8" blade 1	A-270092	1
A2	Dipstick 17-1/2" blade (Use 270093 prior to generator set serial no. 197448) 2	A-271608	1
	Dipstick 3	A-271607	1
A3	Dipstick 12-1/16" blade (Replaced by 271182) 4	A-271182	1
A4	Dipstick 14-1/8" blade (Replaced by 271838) 6	A-271330	1
	100	A-271838	1
	Dipstick 15-1/16" blade (Replaced by 271841) 9,19,101	A-271841	1
	Dipstick 15-23/32" blade (Discontinued--Not Available) 11,12	A-271843	1

	Tube, oil fill 12-11/16 (Replaced by 271828) 9,19	A-271828	1
	Tube, oil fill 11,12	271649	1
	Tube, oil fill 13-5/16 (Replaced by 271827) 13,18	A-271827	1
	Tube, oil fill 9-11/16 (Replaced by 271829) 20	A-271829	1
	Tube, oil fill 13-5/16 (Replaced by 271896) 22	A-271896	1
	Tube, oil fill 20 (Replaced by 272014) 26	A-272014	1
	Tube, oil fill 17-1/32 101	A-271474	1
D	Bushing 4	X-202-18	1
E	Coupling 1-1/4 x 1-15/16 (Replaced by X-216-22) 4	7019	1

11 ELECTRIC START



INDEX LTR.	DESCRIPTION VARIATION NUMBER	PART NUMBER	QTY.	INDEX LTR.	DESCRIPTION VARIATION NUMBER	PART NUMBER	QTY.
A	Bracket, generator front 1,6,7,10,13,16,17,20,24, 29,46,51,53,57,61,62,65, 67,73,74,76,102,103	270190	1	C	Belt 31 O.D. (Use 270213 prior to serial no. 302913)	270415	1
	58,80,81,83,84,85,88,91, 92,93,95,98,99,100,101	272032	1		Belt 29 O.D. 6,7,10,13,16,17,20,24,46, 51,53,57,58,61,62,65,67, 73,76,80,81,83,84,85,88, 91,92,93,95,98,99,100,101, 103	270957	1
B	Generator, charging - assem. (6 volt) (Grid D11) 1,6,7,16,20,24,65	A-270211	1		Belt, drive 28-3/10 O.D. 74,102	271864	1
	Generator, charging - assem. (12 volt) (Grid D11) (Discontinued--Not Available) 10,13,17,29,51,53,57,76	A-270951	1	D1	Regulator, voltage (6 volt) 1,6,7,16,20,24,65	270222	1
	Generator - assembly (12 volt) (Grid D11) 58,80,81,83,84,85,88,91,92, 93,95,98,99,100,101	A-272025	1		Regulator, voltage (12 volt) 10,13,17,29,51,53,57,76	270952	1
	61,67,74,102	A-271541	1		58,80,81,83,84,85,88,91, 92,93,95,98,99,100,101	A-272030	1
					Regulator, voltage (12 volt) (Discontinued--Not Available) 61,67,74,102	231117	1

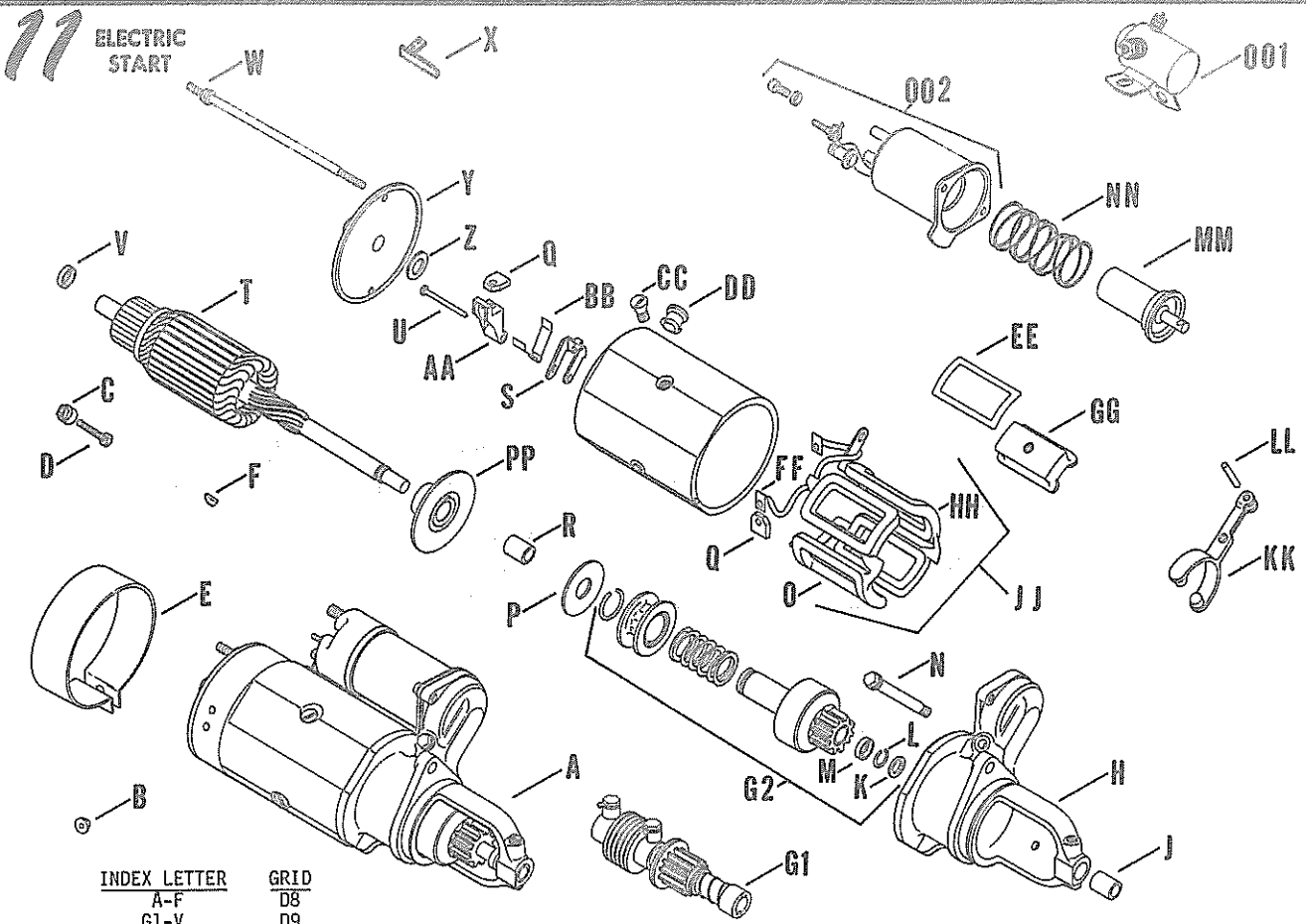
77

K662

ILLUSTRATION ON GRID D6

INDEX LTR.	DESCRIPTION VARIATION NUMBER	PART NUMBER	QTY.	INDEX LTR.	DESCRIPTION VARIATION NUMBER	PART NUMBER	QTY.
D2	Rectifier-regulator 90,109,110,112,300,301,302	277064	1	M1	Bracket, starter 1,3,6,7,10,11,13,16,17, 20,24,29,33,303	270187	1
E1	Bracket, regulator 7,13,16,17,20,24	270940	1	M2	Bracket, starter 46,51,52,53,56,57,58,61, 62,64,65,66,67,73,74,76, 80,81,83,84,85,88,90,91, 92,93,94,95,96,97,98,99, 100,101,102,103,105,106, 107,109,110,112,300,301, 302	271550	1
E2	Bracket, regulator 57	271190	1	N	Pulley, generator 4-1/8 dia. (Use with 270415 belt)	270416	1
E3	Bracket, regulator 58,61,99	271699	1				
E4	Bracket, regulator 81,91,93,101 112	272035 272569	1 1				
E5	Bracket, regulator 91,93	271166	1				
F1	Clip, lead 3,56,66,106 52,94,103 Clip, wire 96,109,110,112,300,301 105,302	275183 266408 210281 X-414-1	1 1 1				
F2	Clip, lead 7,13,16,24,58,99 17,20 61	275182 275182 275303	2 1 3	O	Starter - assembly (6 volt) (Grid D8) (Discontinued-- complete assembly not available) 1,3,6,7,16,20,24,65,66 Starter - assembly (12 volt) (Grid D8) (Discontinued-- complete assembly not available) 10,11,17,29,33	A-270674 A-270911	1 1 1
G	Washer 3/8 80,81,83,84,85	270889	1				
H	Bracket, generator rear 1,6,7,10,13,16,17,20,24, 29,46,51,53,57,62,65,76, 103 58,80,81,83,84,85,88,91, 92,93,95,98,99,100,101 61,67,73,74,102	270612 271403 271667	1 1 1				
J	Screw, hex. hd. 1/4 - 20 x 5/8 13,51,53,57,61,62,66,67, 76,91,93	X-465-2	1	P	Lead, starter to ammeter 27 73,90	272151	1
K	Stator 90,96,105,109,110,112, 300,301	277063	1				
L1	Support, starter - rear 1,3,6,7,10,11,16,17,20, 24,29,33	270440	1	Q	Lead, low tension		
L2	Support, starter - rear (Discontinued--Not Available) 13	271481	1				
L3	Support, starter - rear 46,51,52,53,56,57,58,61, 62,64,65,66,67,73,74,76, 80,81,83,84,85,88,91	271586	1				
L4	Support, starter - rear 90,92,93,94,95,96,97,98, 99,100,101,102,103,105, 106,107,109,110,112,300, 301,302	272143	1				

KIT PART NO.	238056	238055	238054	238058	238060
Wire Size	6 ga.	10 ga.	14 ga.	16 ga.	18 ga.
Wire Length	20'	30'	40'	25'	25'



INDEX LETTER	GRID
A-F	D8
G1-V	D9
W-PP	D10

INDEX LTR.	DESCRIPTION VARIATION NUMBER	PART NUMBER	QTY.	INDEX LTR.	DESCRIPTION VARIATION NUMBER	PART NUMBER	QTY.
A	Starter - assembly (6 volt) (Discontinued--complete assembly not available) 1,3,6,7,16,20,24,65,66	A-270674	1	C	Washer, terminal insulating 1,3,6,7,16,20,24,65,66	272365	4
	Starter - assembly (12 volt) (Discontinued--complete assembly not available) 10,11,17,29,33	A-270911	1	D	Stud, terminal 1,3,6,7,16,20,24,65,66	271066	2
	Kit, starter (12 volt) 13,46,51,52,53,56,57,58,61,62,64,67,73,74,76,80,81,83,84,85,88,91	A-271620-S	1	E	Cover, band (Discontinued--Not Available) 1,3,6,7,10,11,13,16,17,20,24,29,33,46,51,52,53,56,57,58,61,62,64,65,66,67,73,74,76,80,81,83,84,85,88,91	271091	1
	Starter - assembly (12 volt) 90,92,93,94,95,96,97,98,99,100,101,102,103,105,106,109,110,112,300,301,302	A-272142	1	F	Key, woodruff 1,3,6,7,10,11,13,16,17,20,24,29,33,46,51,52,53,56,57,58,61,62,64,65,66,67,73,74,76,80,81,83,84,85,88,91	X-44-1	1
B	Washer, terminal insulating 1,3,6,7,13,16,20,24,46,51,52,53,56,57,58,61,62,64,65,66,67,73,74,76,80,81,83,84,85,88,91	272366	2				

11

K662

ILLUSTRATION ON GRID D8

INDEX LTR.	DESCRIPTION VARIATION NUMBER	PART NUMBER	QTY.	INDEX LTR.	DESCRIPTION VARIATION NUMBER	PART NUMBER	QTY.
G1	Drive (Bendix) 1,3,6,7,10,11,16,17,20,24, 29,33,65,66	A-270920	1	Q	Brush (Discontinued--Not Available) 1,3,6,7,13,16,20,24,46,51, 52,53,56,57,58,61,62,64,65, 66,67,73,74,76,80,81,83,84, 85,88,91	270301	4
	13,46,51,52,53,56,57,58, 61,62,64,67,73,74,76,80, 81,83,84,85,88,91	271722	1		Brush 10,11,17,29,33	272346	4
G2	Drive 90,92,93,94,95,96,97,98,99, 100,101,102,103,105,106, 109,110,112,300,301,302	272379	1		90,92,93,94,95,96,97,98, 99,100,101,102,103,105,106, 109,110,112,300,301,302	272371	4
H	Housing, drive 1,3,6,7,16,20,24,65,66	271021	1	R	Bushing, center bearing 1,3,6,7,16,20,24,65,66	271017	1
	10,11,17,29,33	271068	1		90,92,93,94,95,96,97,98, 99,100,101,102,103,105,106, 109,110,112,300,301,302	250053	1
	13,46,51,52,53,56,57,58, 61,62,64,67,73,74,76,80, 81,83,84,85,88,91	271716	1	S	Holder, brush 1,3,6,7,10,11,13,16,17,20, 24,29,33,46,51,52,53,56,57, 58,61,62,64,65,66,67,73, 74,76,80,81,83,84,85,88,91	270302	4
	90,92,93,94,95,96,97,98, 99,100,101,102,103,105,106, 109,110,112,300,301,302	272383	1		Holder, ground brush 90,92,93,94,95,96,97,98,99, 100,101,102,103,105,106, 109,110,112,300,301,302	272372	2
J	Bushing, drive end 1,3,6,7,10,11,13,16,17,20, 24,29,33,46,51,52,53,56,57, 58,61,62,64,65,66,67,73,74, 76,80,81,83,84,85,88,91	270919	1	T	Armature 1,3,6,7,10,11,16,17,20,24, 29,33,65,66	271020	1
K	Washer, space D.E. 1,3,6,7,10,11,13,16,17,20, 24,29,33,46,51,52,53,56, 57,58,61,62,64,65,66,67, 73,74,76,80,81,83,84,85, 88,91	272349	1		13,46,51,52,53,56,57,58, 61,62,64,67,73,74,76,80, 81,83,84,85,88,91	271718	1
	Collar, thrust 90,92,93,94,95,96,97,98, 99,100,101,102,103,105, 106,109,110,112,300,301, 302	272382	1	U	90,92,93,94,95,96,97,98, 99,100,101,102,103,105,106, 109,110,112,300,301,302	272378	1
L	Ring, retainer 90,92,93,94,95,96,97,98, 99,100,101,102,103,105, 106,109,110,112,300,301, 302	272381	1		Pin, brush holder hinge 1,3,6,7,10,11,16,17,20,24, 29,33,65,66	272350	4
					13,46,51,52,53,56,57,58,61, 62,64,67,73,74,76,80,81, 83,84,85,88,91	272350	2
M	Collar, stop 90,92,93,94,95,96,97,98,99, 100,101,102,103,105,106, 109,110,112,300,301,302	272380	1		Pin, brush holder hinge (Insulated) 1,3,6,7,10,11,16,17,20,24, 29,33,65,66	272351	4
N	Stud, lever 90,92,93,94,95,96,97,98,99, 100,101,102,103,105,106, 109,110,112,300,301,302	272389	1		13,46,51,52,53,56,57,58, 61,62,64,67,73,74,76,80, 81,83,84,85,88,91	272351	2
O	Coil, field - L.H. 1,3,6,7,16,20,24,65,66	270299	1		Pin, brush holder stop (Insulated) 1,3,6,7,10,11,16,17,20,24, 29,33,65,66	272352	4
	10,11,17,29,33	271065	2		13,46,51,52,53,56,57,58, 61,62,64,67,73,74,76,80, 81,83,84,85,88,91	272352	2
	13,46,51,52,53,56,57,58, 61,62,64,67,73,74,76,80, 81,83,84,85,88,91	271065	1	V	Bushing, commutator end 1,3,6,7,10,11,13,16,17,20, 24,29,33,46,51,52,53,56, 57,58,61,62,64,65,66,67, 73,74,76,80,81,83,84,85, 88,91	270926	1
P	Washer, center bearing 90,92,93,94,95,96,97,98, 99,100,101,102,103,105, 106,109,110,112,300,301, 302	272390	1				

ILLUSTRATION ON GRID B9

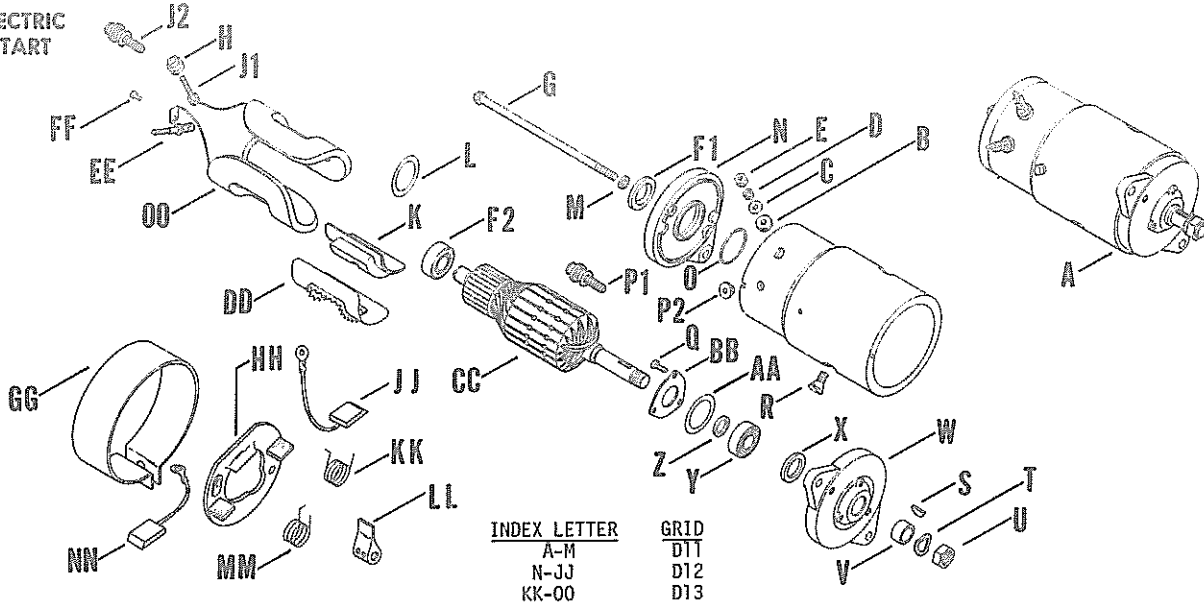
INDEX LTR.	DESCRIPTION VARIATION NUMBER	PART NUMBER	QTY.	INDEX LTR.	DESCRIPTION VARIATION NUMBER	PART NUMBER	QTY.
W	Bolt, thru 1,3,6,7,16,20,24,65,66	272367	2	FF	Lead, brush ground 1,3,6,7,10,11,13,16,17,20, 24,29,33,46,51,52,53,56, 57,58,61,62,64,65,66,67, 73,74,76,80,81,83,84,85, 88,91	271070	2
X	Connector, switch 1,3,6,7,13,16,20,24,46, 51,52,53,56,57,58,61,62, 64,65,66,67,73,74,76,80, 81,83,84,85,88,91	272007	1		90,92,93,94,95,96,97,98, 99,100,101,102,103,105,106, 109,110,112,300,301,302	272376	2
	10,11,17,29,33	272011	1				
Y	Frame, commutator end 1,3,6,7,16,20,24,65,66	270300	1	GG	Shoe, pole 1,3,6,7,10,11,13,16,17,20, 24,29,33,46,51,52,53,56, 57,58,61,62,64,65,66,67, 73,74,76,80,81,83,84,85, 88,91	270297	4
	10,11,13,17,29,33,46,51, 52,53,56,57,58,61,62,64,67, 73,74,76,80,81,83,84,85, 88,91	271070	2		90,92,93,94,95,96,97,98, 99,100,101,102,103,105, 106,109,110,112,300,301, 302	272396	4
	90,92,93,94,95,96,97, 98,99,100,101,102,103, 105,106,109,110,112,300, 301,302	272370	1				
Z	Washer, space C.E. 1,3,6,7,10,11,13,16,17,20, 24,29,33,46,51,52,53,56,57, 58,61,62,64,65,66,67,73,74, 76,80,81,83,84,85,88,91	272348	1	HH	Coil, field - R.H. 1,3,6,7,16,20,24,65,66	270298	1
	90,92,93,94,95,96,97,98, 99,100,101,102,103,105,106, 109,110,112,300,301,302	272391	1		10,11,17,29,33	271064	2
					13,46,51,52,53,56,57,58, 61,62,64,67,73,74,76,80, 81,83,84,85,88,91	271064	1
AA	Holder, insulating brush 90,92,93,94,95,96,97,98,99, 100,101,102,103,105,106,109, 110,112,300,301,302	272373	2	JJ	Coil, field - assembly 90,92,93,94,95,96,97,98, 99,100,101,102,103,105, 106,109,110,112,300,301, 302	272377	1
BB	Spring, brush (Discontinued--Not Available) 1,3,6,7,10,11,13,16,17, 20,24,29,33,46,51,52,53,56, 57,58,61,62,64,65,66,67,73, 74,76,80,81,83,84,85,88,91	270303	4	KK	Lever, shift 90,92,93,94,95,96,97,98, 99,100,101,102,103,105, 106,109,110,112,300,301, 302	272387	1
	90,92,93,94,95,96,97,98, 99,100,101,102,103,105, 106,109,110,112,300,301, 302	272374	2	LL	Pin, lever 90,92,93,94,95,96,97,98, 99,100,101,102,103,105,106, 109,110,112,300,301,302	272388	1
CC	Screw, pole shoe (Discontinued--Not Available) 1,3,6,7,16,20,24,65,66	X-31-2	4	MM	Plunger 90,92,93,94,95,96,97,98, 99,100,101,102,103,105,106, 109,110,112,300,301,302	272386	1
	Screw, pole shoe 10,11,13,17,29,33,46,51, 52,53,56,57,58,61,62,64, 67,73,74,76,80,81,83,84, 85,88,91	272347	4	NN	Spring, plunger 90,92,93,94,95,96,97,98, 99,100,101,102,103,105,106, 109,110,112,300,301,302	272385	1
	90,92,93,94,95,96,97,98, 99,100,101,102,103,105, 106,109,110,112,300,301, 302	275984	4	001	Switch, solenoid 1,3,6,7,10,11,16,17,20, 24,29,33,65,66	270305	1
DD	Grommet, field frame 90,92,93,94,95,96,97,98, 99,100,101,102,103,105, 106,109,110,112,300,301, 302	272393	2	002	Switch, solenoid shift 90,92,93,94,95,96,97,98, 99,100,101,102,103,105,106, 109,110,112,300,301,302	272384	1
EE	Insulator, field coil 90,92,93,94,95,96,97,98, 99,100,101,102,103,105, 106,109,110,112,300,301, 302	272394	4	PP	Bearing, center 10,11,13,17,29,33,46,51,52, 53,56,57,58,61,62,64,67,73, 74,76,80,81,83,84,85,88,91	271022	1

11

K662

11

ELECTRIC START



INDEX LETTER
A-M
N-JJ
KK-00

GRID
D11
D12
D13

INDEX LTR.	DESCRIPTION VARIATION NUMBER	PART NUMBER	QTY.	INDEX LTR.	DESCRIPTION VARIATION NUMBER	PART NUMBER	QTY.
A	Generator, charging - assem. (6 volt) 1,6,7,16,20,24,65	A-270211	1	G	Bolt, thru 10,13,17,29,51,53,57,76	272355	2
	Generator, charging - assem. (12 volt) (Discontinued--Not Available) 10,13,17,29,51,53,57,76	A-270951	1		58,80,81,83,84,85,88,91,92,93,95,98,99,100,101	272329	2
	Generator, charging - assem. (12 volt) 58,80,81,83,84,85,88,91,92,93,95,98,99,100,101	A-272025	1		61,67,73,74,102	231314	2
	61,67,74,102	A-271541	1	H	Bushing, terminal insulating "F" (Discontinued--Not Available) 61,67,74,102	275975	1
B	Washer, terminal stud insulating 10,13,17,29,51,53,57,76	275985	2	J1	Stud, terminal with lead 1,6,7,10,13,16,17,20,24,29,51,53,57,65,76	270319	1
	58,61,67,73,74,80,81,83,84,85,88,91,92,93,95,98,99,100,101,102	275985	1		Stud, terminal "F" 61,67,73,74,102	271749	1
C	Washer, terminal - plain (Discontinued--Not Available) 58,80,81,83,84,85,88,91,92,93,95,98,99,100,101	272319	2	J2	Stud (Includes bushing) 10,13,17,29,51,53,57,58,76,80,81,83,84,85,88,91,93,95,98,99,100,101	232862	1
D	Washer, split - terminal stud, 58,80,81,83,84,85,88,91,92,93,95,98,99,100,101	272320	4	K	Shoe, pole 10,13,17,29,51,53,57,76	272362	2
E	Nut, terminal stud 58,80,81,83,84,85,88,91,92,93,95,98,99,100,101	X-81-7	4		58,80,81,83,84,85,88,91,92,93,95,98,99,100,101	272317	2
F1	Bearing C.E. 1,6,7,10,13,16,17,20,24,29,51,53,57,65,76	270310	1		61,67,73,74,102	272337	2
F2	Bearing, ball C.E. 58,80,81,83,84,85,88,91,92,93,95,98,99,100,101	230813	1	L	Gasket, bearing plate retainer 10,13,17,29,51,53,57,58,61,67,73,74,76,80,81,83,84,85,88,91,92,93,95,98,99,100,101,102	231312	1
				M	Washer, split - thru bolt 58,80,81,83,84,85,88,91,92,93,95,98,99,100,101	272330	2

ILLUSTRATION ON GRID D11

INDEX LTR.	DESCRIPTION VARIATION NUMBER	PART NUMBER	QTY.	INDEX LTR.	DESCRIPTION VARIATION NUMBER	PART NUMBER	QTY.
N	Frame C.E. 1,6,7,10,13,16,17,20,24, 29,51,53,57,65,76	270306	1	X	Washer, felt D.E. 10,13,17,29,51,53,57,58, 61,67,73,74,76,80,81,83, 84,85,88,91,92,93,95,98, 99,100,101,102	275745	1
	58,80,81,83,84,85,88,91, 92,93,95,98,99,100,101	272322	1	Y	Bearing, ball D.E. 1,6,7,10,13,16,17,20,24, 29,51,53,57,61,65,67,73, 74,76,102	270311	1
	61,67,74,102	271745	1		58,80,81,83,84,85,88,91, 92,93,95,98,99,100,101	285757	1
O	Clamp, bearing C.E. 58,80,81,83,84,85,88,91, 92,93,95,98,99,100,101	275996	1	Z	Washer, space D.E. 10,13,17,29,51,53,57,58, 61,67,73,74,76,80,81,83, 84,85,88,91,92,93,95,98, 99,100,101,102	231315	1
P1	Stud (Includes bushing) 10,13,17,29,51,53,57,76	232862	1	AA	Gasket, end cover plate 10,13,17,29,51,53,57,76	272357	1
P2	Bushing, terminal stud 58,80,81,83,84,85,88,91, 92,93,95,98,99,100,101	232861	1	BB	Plate, bearing retainer D.E. 10,13,17,29,51,53,57,58,61, 67,73,74,76,80,81,83,84, 85,88,91,92,93,95,98,99, 100,101,102	231311	1
	Bushing, terminal insulating "A" 61,67,74,102	232861	1	CC	Armature 1,6,7,10,13,16,17,20, 24,29,51,53,57,65,76	270307	1
Q	Screw, bearing plate retainer 58,80,81,83,84,85,88,91, 92,93,95,98,99,100,101	275981	3		58,80,81,83,84,85,88,91, 92,93,95,98,99,100,101	272316	1
R	Screw, pole shoe 10,13,17,29,51,53,57,76	272339	1		61,67,74,102	271747	1
	58,80,81,83,84,85,88,91,92, 93,95,98,99,100,101	275984	2	DD	Insulator, field coil 10,13,17,29,51,53,57,76	272358	1
	61,67,73,74,102	272339	2		58,80,81,83,84,85,88,91, 92,93,95,98,99,100,101	234288	2
S	Key, woodruff D.E. 10,13,17,29,51,53,57,58,61, 67,73,74,76,80,81,83,84,85, 88,91,92,93,95,98,99,100, 101,102	X-43-3	1		61,67,73,74,102	231794	2
T	Washer, split - shaft nut D.E. 1,6,7,10,13,16,17,20,24, 29,51,53,57,65,76	270336	1	EE	Stud, terminal 10,13,17,29,51,53,57,76	271076	1
	58,80,81,83,84,85,88,91, 92,93,95,98,99,100,101	272328	1		58,80,81,83,84,85,88,91, 92,93,95,98,99,100,101	272318	1
	61,67,73,74,102	X-26-10	1		Stud, terminal "A" 61,67,73,74,102	272338	1
U	Nut, shaft D.E. 1,6,7,10,13,16,17,20,24, 29,51,53,57,58,61,65,67, 73,74,76,80,81,83,84,85, 88,91,92,93,95,98,99,100, 101,102	271267	1	FF	Screw, brush lead 58,80,81,83,84,85,88,91, 92,93,95,98,99,100,101	X-49-25	2
V	Collar, outside D.E. 1,6,7,10,13,16,17,20,24, 29,51,53,57,58,61,65,67, 73,74,76,80,81,83,84,85, 88,91,92,93,95,98,99,100, 101,102	270312	1	GG	Cover, band 1,6,7,10,13,16,17,20,24, 29,51,53,57,65,76	270320	1
W	Frame D.E. (Discontinued--Not Available) 1,6,7,10,13,16,17,20,24,29, 51,53,57,61,76	270309	1	HH	Plate, brush 1,6,7,16,20,24,65	270313	1
	Frame D.E. 58,80,81,83,84,85,88,91, 92,93,95,98,99,100,101	272327	1		10,13,17,29,51,53,57,76	271074	1
	61,67,73,74,102	230814	1	JJ	Brush, main 1,6,7,16,20,24,65	270314	2
					10,13,17,29,51,53,57,76	271073	3
					Brush 58,61,67,73,74,80,81,83, 84,85,88,91,92,93,95,98, 99,100,101,102	285756	2

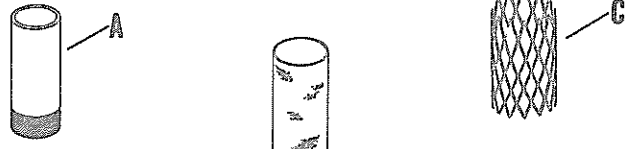
11.12

K662

ILLUSTRATION ON GRID D11

ILLUSTRATION ON GRID D13

INDEX LTR.	DESCRIPTION VARIATION NUMBER	PART NUMBER	QTY.	INDEX LTR.	DESCRIPTION VARIATION NUMBER	PART NUMBER	QTY.
KK	Spring, brush-main 1,6,7,16,20,24,65	270317	2	D5	Muffler 21,101	247131	1
	Spring, brush 10,13,17,29,51,53,57,76	271075	3	D6	Muffler 30	271809	1
	58,61,67,73,74,80,81,83, 84,85,88,91,92,93,95,98, 99,100,101,102	285652	2	D7	Muffler 501	275679	2
LL	Holder, brush (Discontinued--Not Available) 1,6,7,16,20,24,65	270316	3	E	Elbow, street 5,10,30,34,99,100	X-211-4	1
	Holder, brush 10,13,17,29,51,53,57,76	272325	3	F	Baffle, manifold 2,39,40,102,500	274040	1
	58,61,67,73,74,80,81,83, 84,85,88,91,92,93,95,98, 99,100,101,102	272325	2	G	Gasket, manifold ALL	270165	2
MM	Spring, brush - third 1,6,7,16,20,24,65	270318	1	H	Manifold, intake 1,2,3,8,9,10,16,18,20,21, 30,32,35,39,40,41,43,45, 99,101,102,500,502	271625	1
NN	Brush, third 1,6,7,16,20,24,65	270315	1		4,34	270687	1
OO	Coil, field - set (Discontinued--Not Available) 1,6,7,16,20,24,65	270308	1		5,11,12,37,38,44,100,503	270955	1
	58,80,81,83,84,85,88,91, 92,93,95,98,99,100,101	272321	1		13	270426	1
	Coil, field - set 10,13,17,29,51,53,57,76	271072	1		15	271366	1
	61,67,74,102	271748	1		22	271603	1

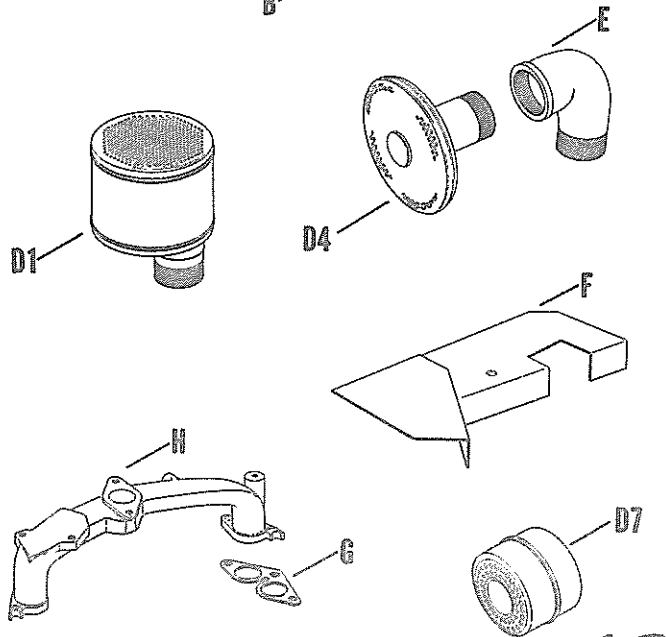


12

EXHAUST

ILLUSTRATION ON GRID D13 D14

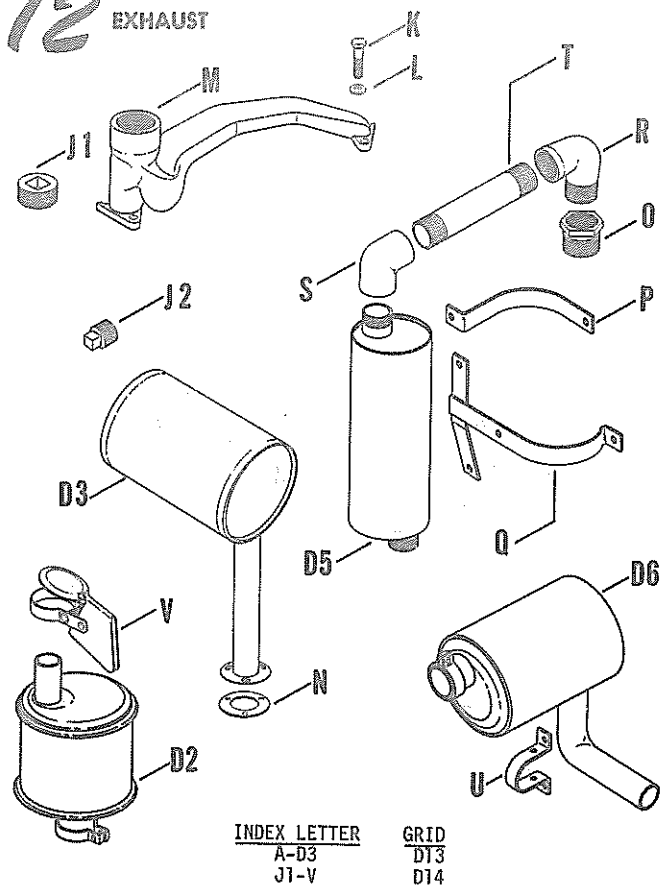
INDEX LTR.	DESCRIPTION VARIATION NUMBER	PART NUMBER	QTY.
A	Pipe 2 I.D. x 7 2,32,35,500,502	X-396-1	1
	Pipe 2 I.D. x 2 10	X-396-7	1
	30,34,99,100	X-396-7	2
	Pipe 2 I.D. x 1-3/4 41	X-396-6	1
B	Guard, pipe 2,102,500	274045	1
C	Retainer, pipe guard 2,102,500	274046	1
D1	Muffler 1,5,44,503	270203	1
D2	Muffler 2,102	270730	1
D3	Muffler 10,34,99,100	271216	1
D4	Muffler 11,37	271167	1



EXHAUST

12

12 EXHAUST



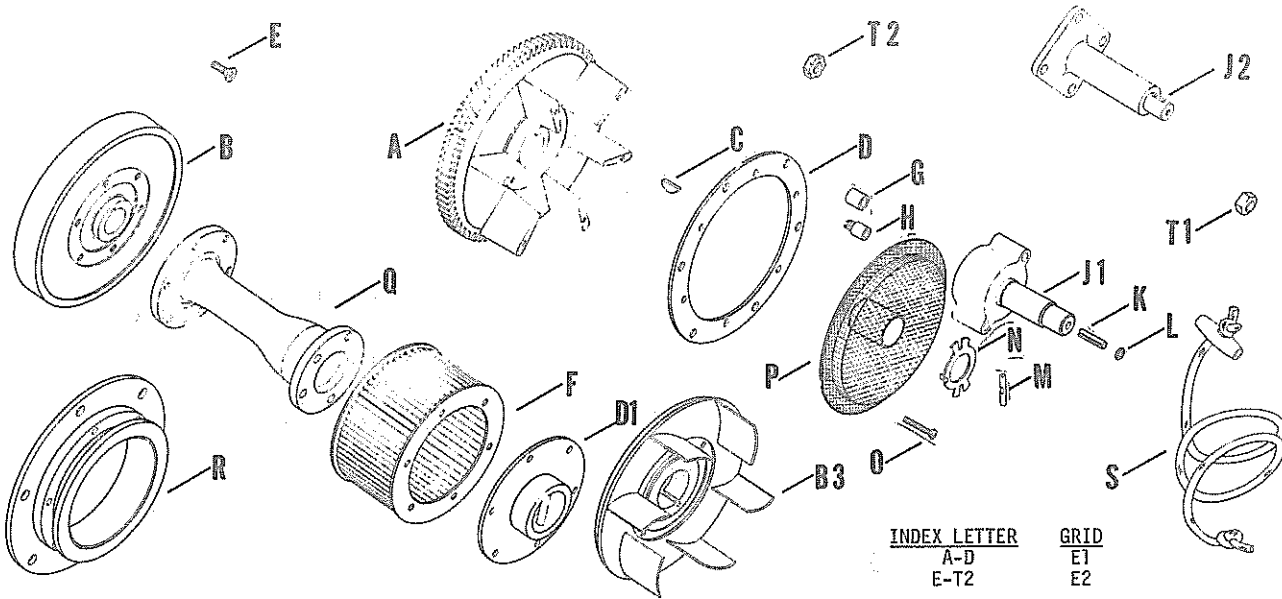
INDEX LETTER
A-D3
J1-V

GRID
D13
D14

INDEX LTR.	DESCRIPTION VARIATION NUMBER	PART NUMBER	QTY.
J1	Plug, pipe 9,11,12,16,22,37,43,45,503	X-75-25	1
J2	Plug, pipe 22,100	X-75-2	1
K	Screw, hex. hd. 5/16 - 18 x 1-1/2 1,3,11,43,45	41 086 02	6
	2,4,5,8,9,10,12,13,15,16, 20,21,22,30,32,34,35,37, 38,40,41,44,99,100,101, 102,500,502,503	230175	6
	18,39	230175	5
	Screw, hex. hd. 5/16 - 18 x 1-5/8 18	230992	1

INDEX LTR.	DESCRIPTION VARIATION NUMBER	PART NUMBER	QTY.
(K-CONTINUED)			
	Screw, hex. hd. 5/16 - 18 x 1-3/4 39	230406	1
L	Washer 5/16 I.D. x 27/32 O.D. 1,2,3,4,5,8,9,10,11,13,15, 16,18,20,21,22,30,32,34,35, 37,38,40,41,43,44,45,99,101, 102,500,502	270889	2
	Washer 21/64 I.D. x 5/8 O.D. 1,2,3,4,5,10,11,12,15,16, 18,20,21,22,30,32,34,35, 37,38,39,40,41,43,44,45, 99,100,101,102,500,502, 503	231258	2
M	Manifold, exhaust 1,2,3,4,5,10,13,15,18,21, 30,32,34,35,38,39,40,41, 44,99,101,102,500,502	270425	1
	8	271003	1
	9,11,12,22,37,100,503	271165	1
	16	271400	1
	20	271597	1
	43	272558	1
	45	272578	1
N	Gasket, muffler 10,34,99,100	271224	1
O	Bushing 21,101	160212	1
P	Strap, muffler 21,101	271600	1
Q	Bracket, muffler 21,101	271601	1
R	Elbow, street 21,101	A-27	1
S	Elbow, 90° 21,101	151771	1
T	Pipe 1-1/2 I.D. x 8 21,101	X-205-2	1
U	Clamp, pipe 30	271819	1
V	Cap, weather 2,102	270731	1

13 FLYWHEEL



INDEX LETTER
A-D
E-T2

GRID
E1
E2

INDEX LTR.	DESCRIPTION VARIATION NUMBER	PART NUMBER	QTY.	INDEX LTR.	DESCRIPTION VARIATION NUMBER	PART NUMBER	QTY.
	Use stock of original part number before ordering replacement.				(B-CONTINUED)		
A	Flywheel 1,3,7,23	270982	1		Flywheel - assembly (Includes E & R) (Discontinued --Not Available) 20	A-271089	1
	54,60	271587	1		Flywheel - assembly (Includes A) (Discontinued--Not Available) 46	A-271630	1
	Flywheel - assembly (Includes A) (Discontinued-- Not Available) 2,4,12	A-271016	1		Flywheel - assembly (Includes A) 47	A-271628	1
	Flywheel - assembly (Includes A) 17,25	A-270987	1		50	A-271635	1
	44,45,48	A-271588	1		Flywheel - assembly (Includes A) (Discontinued-- Not Available) 49	A-271643	1
	63	A-271868	1	B3	Flywheel - assembly (Includes A) 33	A-271376	1
	64,67	A-271992	1		56,59	A-271727	1
	69,70,71,72,74	A-272129	1	C	Key, woodruff #15 ALL	X-45-3	1
	Flywheel (Replaces 270982 after serial no. 365807) 18	270988	1	D	Plate, flywheel (Discontinued--Not Available) 1,2,3,6,23,56	A-270555	1
	Flywheel - assembly (Includes A) (Replaced by A-271628) 22,32	A-271123	1		Plate, flywheel 4,7,12	270827	1
	Flywheel - assembly (Includes A & E) 52	A-270490	1	D1	Plate, crank adapter 65	271045	1
B	Flywheel 5,27,31,38,62,65,300	270642	1				
	Flywheel - assembly (Includes A) (Replaced by A-271016) 6	A-270217	1				

ILLUSTRATION ON GRID E1

INDEX LTR.	DESCRIPTION VARIATION NUMBER	PART NUMBER	QTY.	INDEX LTR.	DESCRIPTION VARIATION NUMBER	PART NUMBER	QTY.
E	Screw, drive 1,2,3,4,6,7,12,20,23,52	X-307-1	6	R	Pulley, rope start (Discontinued--Not Available) 20	271091	1
F	Blower (Replaced by 271269) 5,300	270548	1	S	Rope ALL	A-230099	1
	Blower (Discontinued--Not Available) 27	271269	1	T1	Nut, flywheel 1 - 1/8 - 12 1,2,4,7,12,17,18,20,22,25, 32,33,44,45,46,47,48,49, 50,60,63,64,72	X-80-4	1
	Blower (Replaced by 271389) 31,62,65	271299	1	T2	Nut, flywheel 1 - 1/8 - 12 56,59,67	X-119-22	1
	Blower 32,38,47	271389	1		69,70,71,74	X-101-19	1
G	Spacer 17/64 I.D. x 19/32 O.D. 17,18,33,44,60,63,64,67,69, 70,71,74	X-400-7	6	ILLUSTRATION ON GRID E3			
H	Nut, spacer #10-24 4,7,12	270833	6	FUEL PUMP 14			
J1	Shaft, front drive 23	270650	1	INDEX LTR.	DESCRIPTION VARIATION NUMBER	PART NUMBER	QTY.
	56,59	271689	1		Use stock of original part number before ordering replacement.		
J2	Shaft, front drive 71	272579	1	A1	Bracket, filter 2,11,14,18,32,35,201	270697	1
K	Pin, roll 3,17,18,25,27,31,32,33,38, 44,45,47,48,54,60,62,63,64, 65,70,71,72,74,300	X-280-11	1	A2	Bracket, filter 8,25,26,103	271891	1
L	"0" ring 17,18,33,44,60,63,64,67,69, 70,71,74	271463	6	A3	Bracket, filter 17	271516	1
M	Pin, crank 1,2,4,5,6,7,12,20,22,23	270198	1	A4	Bracket, filter 29,30	272037	1
N	Lock, nut 1,2,3,4,5,6,7,12,17,18,20, 22,23,25,27,31,33,38,44,45, 47,48,49,54,60,62,63,64,65, 72,100,101,102,300	270014	1	B	Gasket, pump support 9	271313	1
O	Screw, rd. hd. #10 - 24 x 1 4,7,12	X-67-36	6	C	Rod, fuel pump 9	271314	1
P	Screen, grass (Discontinued-- Not Available) 4,7,12	X-67-36	6	D	Support, fuel pump 9	271312	1
	Screen, grass (Discontinued-- Not Available) 4,7,12	A-270824	1	E	Gasket, fuel pump 9	240260	1
	20	A-270434	1	F	Plug, pipe 9	X-75-13	1
	Screen, grass (Replaced by 270983) 17,18,33,44,60,63,70,74	A-270983	1	G1	Pump, fuel 1,2,3,8,14,17,18,20,24,25, 26,29,30,32,35,36,100,101, 103,104,106,108,200,201, 203	A-271704	1
	Screen, grass (Replaces A-270434 after serial no. 365807) 64,67,69	A-271852	1	G2	Pump, fuel 9	A-271315	1
	Screen, grass (Replaced by 271285) 71	A-271285	1	H	Connector, compression 8,17,18	X-258-5	1
Q	Support, rotor 31,32,33,47,62,65	271125	1	J	Line, fuel 9-3/4 steel (Use 270118 prior to serial no. 282762, generator set serial no. 190388) 1,2,3,30,35,36,100,101,104, 106,200,201,203	270225	1
					Line, fuel 10-1/4 steel 8,17,25,29,103	271160	1
					Line, fuel 4-1/2 rubber 9	X-386-15	1

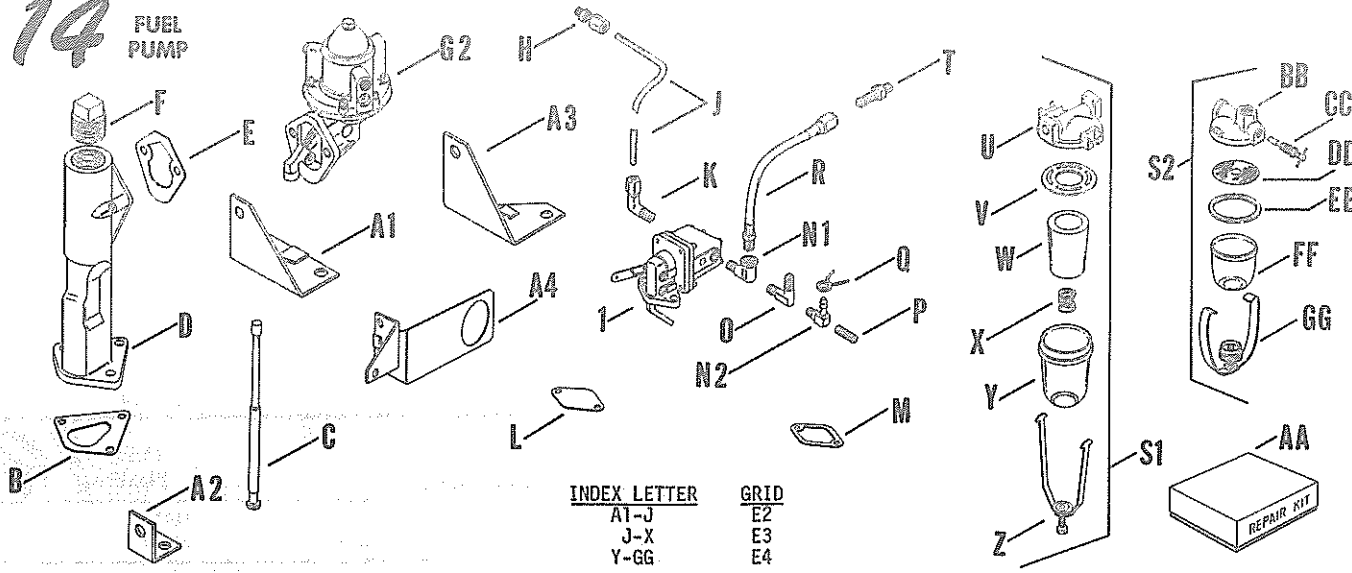
(J-CONTINUED NEXT PAGE)

14

K662

14

FUEL PUMP



INDEX LETTER	GRID
A1-J	E2
J-X	E3
Y-GG	E4

INDEX LTR.	DESCRIPTION VARIATION NUMBER	PART NUMBER	QTY.	INDEX LTR.	DESCRIPTION VARIATION NUMBER	PART NUMBER	QTY.
(J-CONTINUED)				Q	Clamp, hose (Replaced by X-426-9) 9	X-309-8	2
	Line, fuel 5-3/4 steel 14,24	271751	1	R	Line, flexible fuel 8 1,2,14,17,18,29,30,32,35, 36,100,200,201,203	270727	1
	Line, fuel 11-1/2 copper 18	271544	1		Line, flexible fuel 14 8	265462	1
	Line, fuel 10-3/8 copper 20,108	271032	1		Line, flexible fuel 10 11	265811	1
	Line, fuel 6-1/2 steel 26	271900	1		Line, flexible fuel 18 12,102	265461	1
	Line, fuel 14 copper 32	X-208-12	1		Line, flexible fuel 12 25,26,103	285188	1
K	Elbow, compression 1/8 I.P. x 1/4 tube 1,2,8,14,17,18,25,30,32, 35,36,100,103,200,201, 203	A-822	1	S1	Filter, fuel - assembly (Includes U thru Z) 2,8,9,11,14,17,18,25,26, 29,30,32,35,100,101,102, 103,106,107,108,200,201, 203	A-201073	1
	3,101,104,106	A-822	3	S2	Filter, fuel (Includes BB thru GG) 104,105	A-210101	1
	20,24,26,29,108	A-822	2	T	Adapter, fuel filter 2,8,14,18,25,26,29,30, 35,100,101,102,103	270728	1
L	Cover, fuel pump pad 4,11,12,102,105,107,202	240282	1	U	Body, fuel filter 2,8,9,11,14,17,18,25,26, 29,30,32,35,100,101,102, 103,106,107,108,200,201, 203	270785	1
M	Gasket, pump pad 1,2,3,4,8,12,14,18,20,24, 25,26,29,30,35,36,100,101, 102,103	47 041 01	1	V	Gasket, filter bowl 2,8,9,11,14,17,18,25,26, 29,30,32,35,100,101,102, 103,106,107,108,200,201, 203	270690	1
N1	Elbow 90° 1,2,8,12,14,17,18,20,24,25, 26,29,30,32,100,102,103,108, 200,201,203	X-211-10	1	W	Element, filter ceramic 2,8,9,11,14,17,18,25,26, 29,30,32,35,100,101,102, 103,106,107,108,200,201, 203	270782	1
	3,5,11,101,104,106	X-211-10	2				
N2	Elbow 90° 9	X-391-1	2				
	36	X-391-1	1				
O	Elbow, flare 90° 25,26,103	X-447-10	1				
P	Nipple 1/8 9	X-217-6	1				

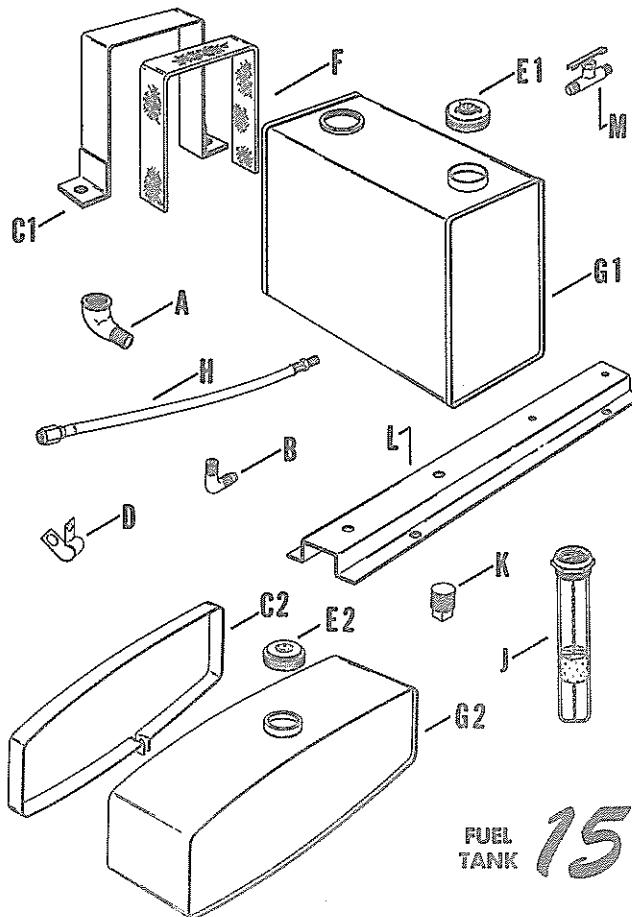
ILLUSTRATION ON GRID E3

INDEX LTR.	DESCRIPTION VARIATION NUMBER	PART NUMBER	QTY.
X	Spring, element retaining 2,8,9,11,14,17,18,25,26, 29,30,32,35,100,101,102, 103,106,107,108,200,201, 203	270783	1
Y	Bowl, filter 2,8,9,11,14,17,18,25,26, 29,30,32,35,100,101,102, 103,106,107,108,200,201, 203	270691	1
Z	Retainer, bowl 2,8,9,11,14,17,18,25,26, 29,30,32,35,100,101,102, 103,106,107,108,200,201, 203	270784	1
AA	Repair kit, pump 1,2,3,8,14,18,20,24,25, 26,29,30,35,36,100,101,103	271736	1
	9	272029	1
BB	Body, filter 104,105	210478	1
CC	Valve, needle 104,105	A-210480	1
DD	Screen 104,105	210479	1
EE	Gasket, bowl 104,105	210468	1
FF	Bowl, filter 104,105	210467	1
GG	Bail 104,105	A-210477	1

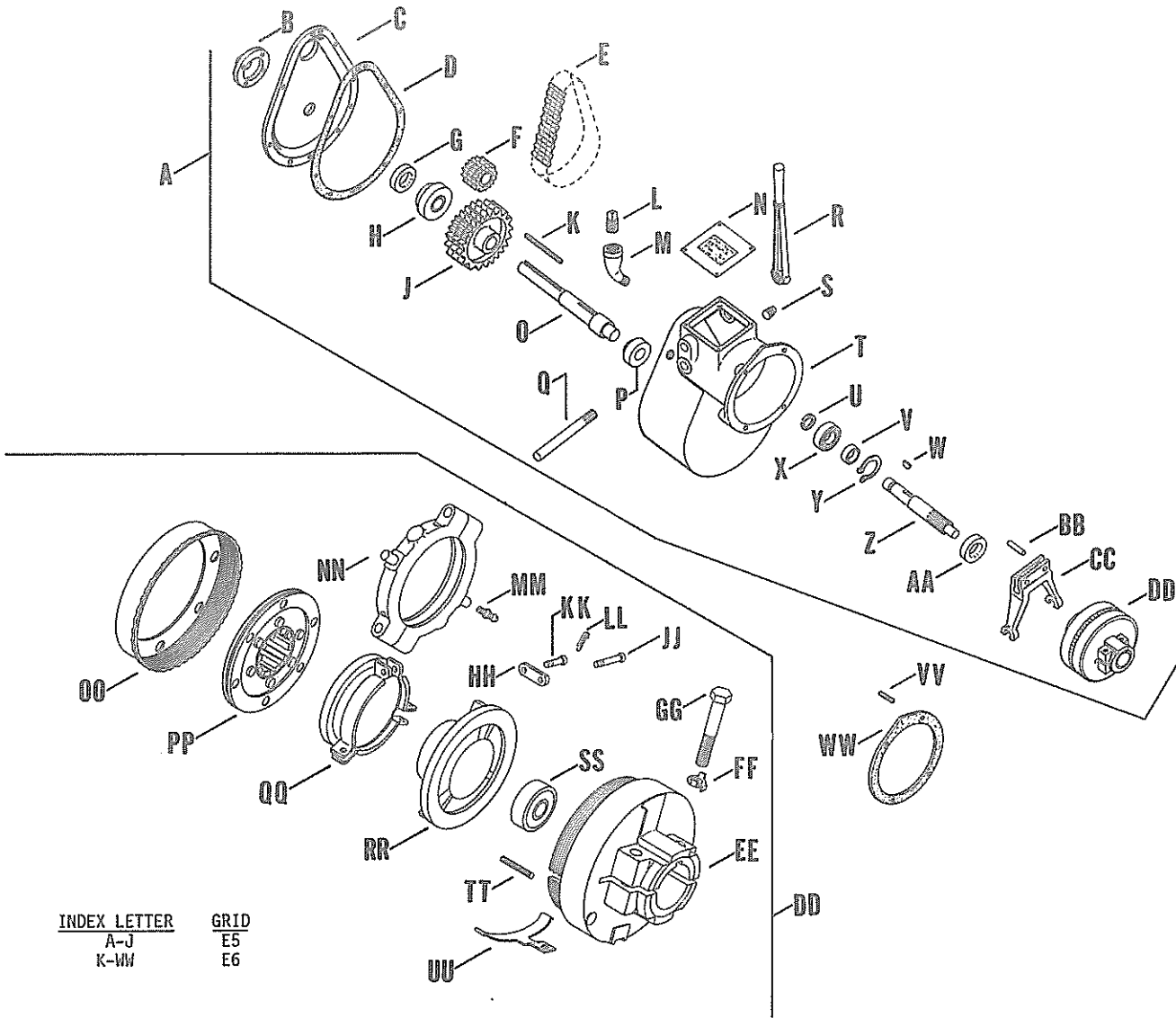
INDEX LTR.	DESCRIPTION VARIATION NUMBER	PART NUMBER	QTY.
F	Webbing (Replaced by X-295-4) 1,2	X-295-6	2
G1	Tank, fuel 7.1 gal. (Discontinued--Not Available) 1,2	270432	1
G2	Tank, fuel 5.5 gal. 3,5	274039	1
H	Line, fuel 29 1,2	265812	1
	Line, fuel 24 (Discontinued--Not Available) 3,5	265485	1
J	Gauge, fuel 1	A-244436	1
K	Plug, pipe 1-1/2 2	X-75-16	1
L	Rail, tank 1,2	270430	2
M	Valve, fuel shut-off 3,5	270724	1

15 FUEL TANK

INDEX LTR.	DESCRIPTION VARIATION NUMBER	PART NUMBER	QTY.
Use stock of original part number before ordering replacement.			
A	Elbow, street 1/8 1,2,3,5	X-211-10	1
B	Elbow, tubing 1,2	X-447-10	1
C1	Strap, tank 1,2	270431	2
C2	Strap, tank 3,5	274094	2
D	Clip, fuel line 3,5	265850	1
E1	Cap 1,2	200099	1
E2	Cap 3,5	264431	1



GEAR
REDUCTION



INDEX LTR.	DESCRIPTION VARIATION NUMBER	PART NUMBER	QTY.	INDEX LTR.	DESCRIPTION VARIATION NUMBER	PART NUMBER	QTY.
A	Reduction, gear - assembly (with clutch) (Includes B thru DD) 4	B-274015	1	F	Sprocket, drive 4	274099	1
	5	B-274014	1		Sprocket, drive (Discontinued--Not Available) 5	274096	1
B	Cap, bearing 4,5	274123	1	G	Seal, oil 4,5	274114	1
C	Cover, housing 4,5	274122	1	H	Bearing 4,5	274113	1
D	Gasket, housing cover 4,5	274119	1	J	Sprocket, driven 4	274100	1
E	Chain, roller 4,5	274098	1		5	274097	1

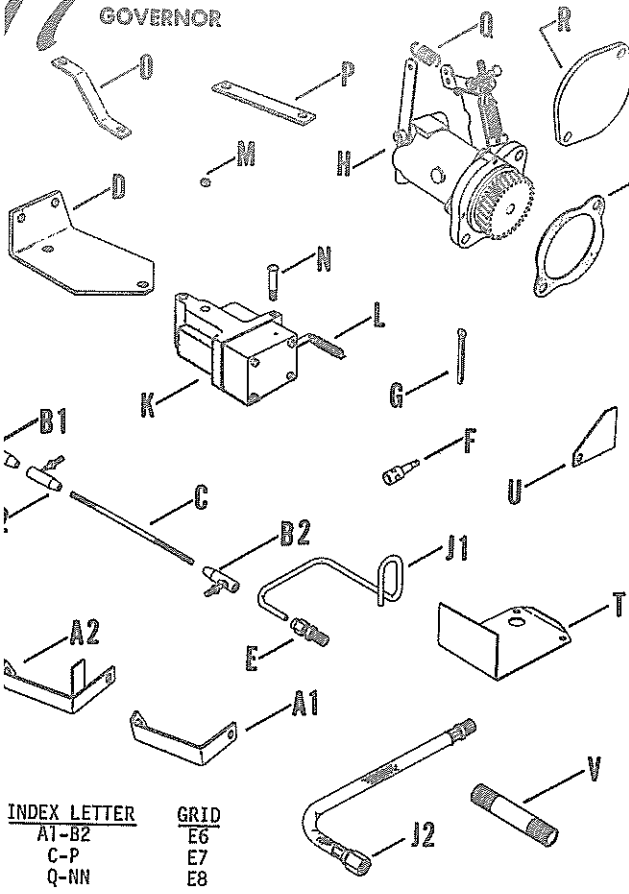
ILLUSTRATION ON GRID E6

INDEX LTR.	DESCRIPTION VARIATION NUMBER	PART NUMBER	QTY.	INDEX LTR.	DESCRIPTION VARIATION NUMBER	PART NUMBER	QTY.
K	Key 4,5	274112	1	JJ	Pin, link (long) 4,5	234051	3
L	Plug, pipe 3/8 4,5	X-75-10	2	KK	Pin, link (short) 4,5	234052	3
M	Elbow, street 3/8 4,5	X-211-8	1	LL	Pin, cotter 4,5	X-36-4	6
N	Plate, instruction 4,5	234089	1	MM	Fitting, alemite 4,5	234067	1
O	Shaft, output 4,5	274115	1	NN	Bearing, release 4,5	274217	1
P	Bearing 4,5	274118	1	OO	Ring, adjusting 4,5	234056	1
Q	Shaft, yoke 4,5	274117	1	PP	Member, driven 4,5	A-234044	1
R	Lever, shifting 4,5	A-234026	1	QQ	Sleeve, release 4,5	274199	1
S	Plug, drain 3/8 4,5	274205	1	RR	Plate, pressure 4,5	A-234045	1
T	Housing, clutch and gear 4,5	274208	1	SS	Bearing, pilot 4,5	234042	1
U	Ring, snap 4,5	230305	1	TT	Spring, return 4,5	234055	3
V	Spacer 4,5	274110	1	UU	Lock, adjusting 4,5	234043	1
W	Key 4,5	274106	1	VV	Key, square 4,5	X-286-8	1
X	Bearing 4,5	274107	1	WW	Gasket, clutch 4,5	274042	1
Y	Ring, snap 4,5	274109	1	GOVERNOR 17			
Z	Shaft, drive 4,5	274108	1	ILLUSTRATION ON GRID E7			
AA	Seal, oil 4,5	274103	1	INDEX LTR.	DESCRIPTION VARIATION NUMBER	PART NUMBER	QTY.
BB	Pin, roll 4,5	274101	2	A1	Bracket, speed stop 18,34	271367	1
CC	Yoke, clutch 4,5	A-234027	1	A2	Bracket, speed stop 41	272140	1
DD	Clutch - assembly (Includes EE thru UU) 4,5	A-274116	1	B1	Ball joint 1,2,3,4,5,13,14,16,18,23, 24,25,26,27,29,33,34,35, 38,40,41,99	270207	1
EE	Housing, clutch 4,5	234041	1	B2	Ball joint 1,2,4,5,18,23,26,27,29, 33,34,35,38,40,41,99	237130	1
FF	Lock, screw 4,5	234057	2		11,15,28,37,45,46	237130	2
GG	Screw, hex. hd. 5/16 - 18 x 5/8 4,5	234073	1		Ball joint 3,13,14,16,24,25	241074	1
HH	Link, connecting 4,5	234050	6		39,42	272059	2

17
17

K662

GOVERNOR



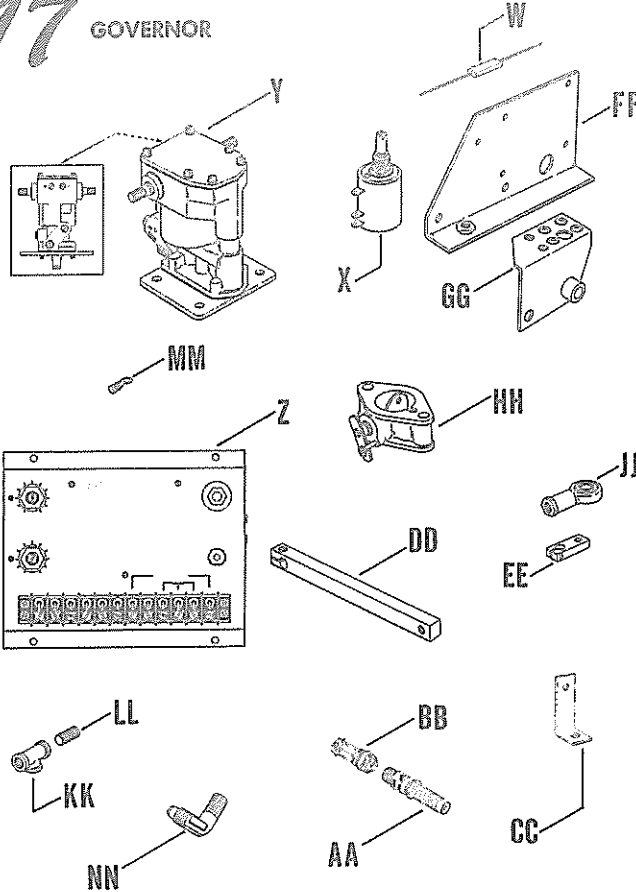
INDEX LETTER	GRID
A1-B2	E6
C-P	E7
Q-NN	E8

X	DESCRIPTION VARIATION NUMBER	PART NUMBER	QTY.
	Rod, throttle #10 - 32 x 4-1/2 1,2,3,4,5,11,14,15,18,28, 37,38,42,45,46,99	270615	1
	Rod, throttle #10 - 32 x 6-7/8 13,23	271033	1
	Rod, throttle #10 - 32 x 3-5/8 16	270205	1
	29,45,46	275063	1
	Rod, throttle #10 - 32 x 3-1/16 24,27,33,34,35,39,40	271798	1
	Rod, throttle #10 - 32 x 7-5/16 (Discontinued--Not Available) 25	271542	1
	Rod, throttle #10 - 32 x 2-3/4 26	271219	1
	Rod, throttle #10 - 32 x 4-7/8 41	272415	1

INDEX LTR.	DESCRIPTION VARIATION NUMBER	PART NUMBER	QTY.
D	Bracket, coil mounting 32	271693	1
E	Union 1,2,3,4,5,6,11,13,15,16, 18,23,24,25,26,27,28,29, 33,34,35,37,38,39,40,41, 42,46,99	X-343	2
	45	X-343	1
F	Connector, wire 2,33,40,99	270803	1
G	Pin, cotter 1/16 x 1/2 (Discontinued--Not Available) 1,2,3,4,5,11,13,14,15,16, 18,23,24,25,26,27,28,29, 33,34,35,37,38,39,40,41, 42,45,46,99	X-36-1	1
	Pin, cotter 1/16 x 3/8 2,33,40	X-36-4	1
H	Governor - assembly (Includes gear) 1,2,3,11,24,27,29,33,35,39, 40,42,99	E-270206-S	1
	4,15,16,23,26,28,37,38,45, 46	E-270341	1
	5,25	E-270342	1
	6,13	A-271014	1
	Governor (Includes gear) 18	A-271222-S	1
	34,41	A-272139	1
J1	Line, oil 1/8 x 11-3/16 1,2,3,4,5,6,11,13,15,18, 23,24,25,26,27,28,29,33, 34,35,37,38,39,40,41,42, 45,46,99	270616	1
	Line, oil 1/8 x 13-1/4 (Discontinued--Not Available) 16	270117	1
J2	Line, oil 1/8 x 26 45,46	265463	2
K	Compensator (Includes spring) 18,34,41	272017	1
L	Spring, compensator 18,34	241112	1
	41	272010	1
M	Seal, compensator 18,34,41	271372	1
N	Screw, level head 18,34,41	271860	1
O	Linkage, compensator 18,34,41	271368	1
P	Bracket, compensator 18,34,41	271358	1

ILLUSTRATION ON GRID E7 E8

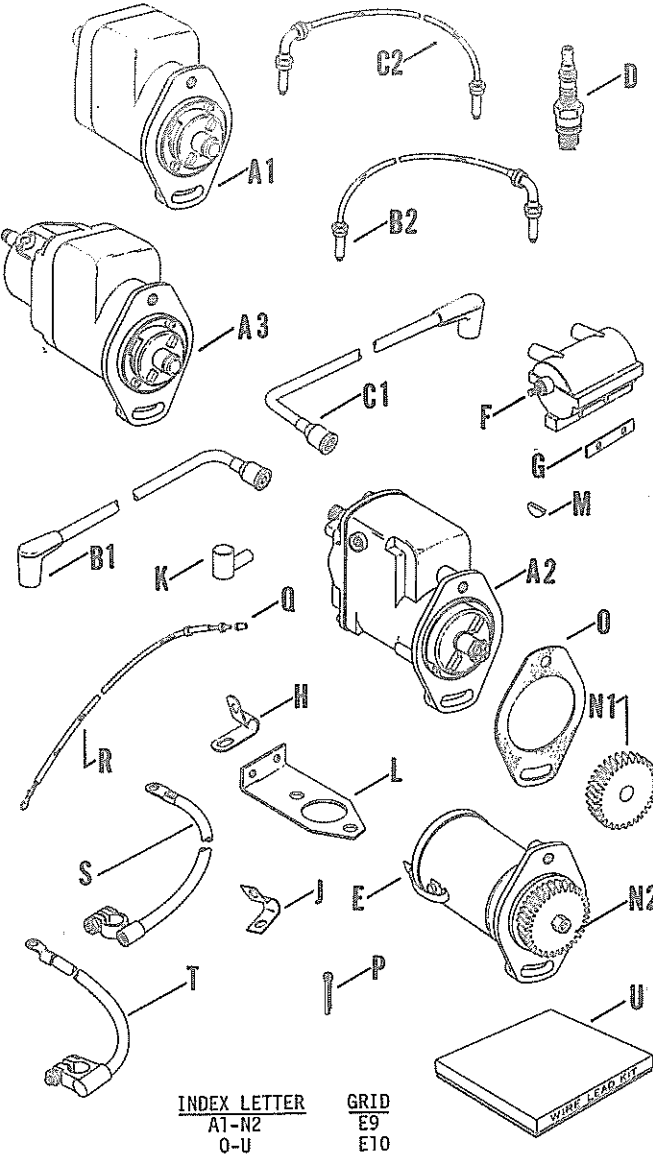
17 GOVERNOR



INDEX LTR.	DESCRIPTION VARIATION NUMBER	PART NUMBER	QTY.
Q	Spring, governor 1,2,3,39,40,42,99	271233	1
	4,13,15,16,23,26,37,45,46	240858	1
	5,25	240485	1
	11,38	240216	1
	24,27,29,33,35	271899	1
	28	271547	1
R	Plate, cover 9,14	270289	1
S	Gasket, mounting ALL	270195	1

INDEX LTR.	DESCRIPTION VARIATION NUMBER	PART NUMBER	QTY.
T	Bracket, compensator 18,34,41	271360	1
U	Plate, stop 1,2,39,40,42,99	272560	1
V	Pipe, T.B.E. 1/8 x 2-1/2 45,46	167196	1
W	Capacitor 5 mfd 45,46	246743	1
X	Rheostat 1000 ohm 45,46	283853	1
Y	Actuator 45,46	A-285993	1
Z	Control, governor 24V DC 45,46	A-285994	1
AA	Pickup, magnet 45,46	A-285995	1
BB	Connector, mating 45,46	285996	1
CC	Bracket, rheostat mtg. 45,46	286353	1
DD	Arm, actuator 45,46	272449	1
EE	Arm, carburetor 45	272457	1
	46	266612	1
FF	Bracket, controller mtg. 45,46	272453	1
GG	Bracket, actuator mtg. 45,46	272454	1
HH	Box, valve 45,46	272455	1
JJ	Ball, joint 45,46	272456	2
KK	Tee, pipe 1/8 45,46	X-203-10	2
LL	Pipe, TBE 1/8 x 1 45,46	X-217-7	1
MM	Terminal 45,46	X-283-7	12
NN	Elbow, half union 45,46	X-447-10	2

IGNITION



INDEX LETTER
A1-N2
O-U

GRID
E9
E10

INDEX LTR.	DESCRIPTION VARIATION NUMBER	PART NUMBER	QTY.
B1	Cable, spark plug #1 (Replaced by 238057 kit) 1,3,4,5,12,13,18,29,33,100	270613	1
	Kit, hi-tension lead 8,14,15,17,20,21,23,24,26, 27,31,38	238057	1
B2	Cable, spark plug #1 2	A-270370-1	1
C1	Cable, spark plug #2 (Replaced by 238057 kit) 1,3,12,13,18,29,33	270614	1
	Kit, hi-tension lead 8,14,15,17,20,21,23,24,26, 27,31,32,38	238057	1
C2	Cable, spark plug #2 2	A-270370-2	1
D	Plug, spark 1,3,4,5,8,12,13,14,18,21, 23,24,25,27,29,31,32	270321-S	2
	2	270869-S	2
	15	41 132 06	2
	17,26,38	285215-S	2
	33	271082-S	2
	Plug, spark (Replaced by 41 132 06) 20	232604-S	2
E	Distributor - assembly (Grid E13) 29,31,32	A-271687	1
F	Coil 29,31,32	277375	1
G	Plate, coil mounting 29,31,32	271694	1
H	Clip, cable 1,2,3,4,5,8,12,13,14,15, 17,18,20,21,23,24,26,27, 29,31,32,33,38	270154	1
J	Clip, cable 1,4,5,8,14,17,23,27,38	210281	2
	2,3,12,13,15,18,20,21, 24,26,29,31,32,33	210281	1
K	Cover, terminal 8,14,15,17,20,21,23,24, 26,27,38	271485	2
L	Bracket, coil mounting 32	271766	1
M	Key, woodruff 29,31,32	X-42-3	1
N1	Gear, magneto 1,2,3,4,5,8,12,13,14,15, 17,18,20,21,23,26,27,33, 38,100	270294	1
	24	271538	1
N2	Gear, distributor 29,31,32	271683	1

INDEX LTR.	DESCRIPTION VARIATION NUMBER	PART NUMBER	QTY.
------------	------------------------------	-------------	------

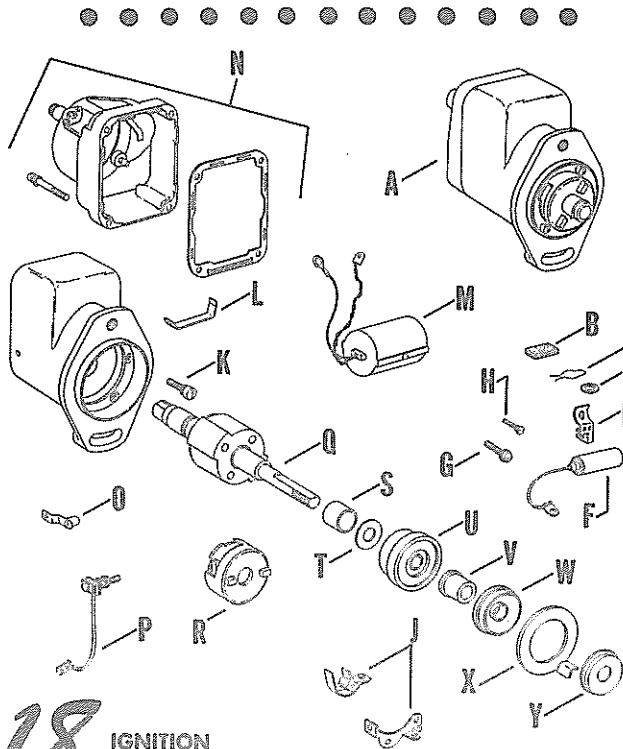
Use stock of original part number before ordering replacement.

A1	Magneto - assembly (Grid E10) 1,3,4,5,12,13,18,33	B-270590	1
A2	Magneto - assembly (Grid E11) 2	A-270595	1
A3	Magneto - assembly (Grid E12) 8,14,15,17,20,21,23,24,26, 27,28	A-270966	1

ILLUSTRATION ON GRID E9

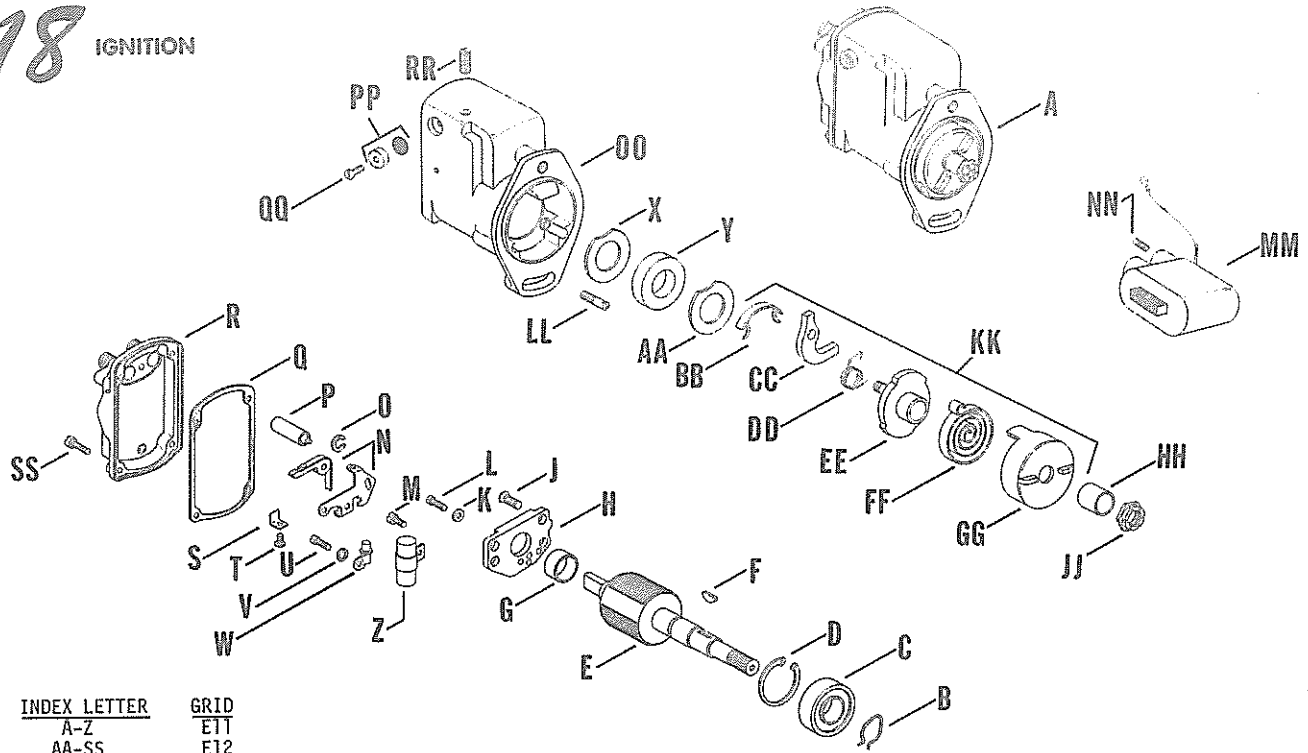
INDEX LTR.	DESCRIPTION VARIATION NUMBER	PART NUMBER	QTY.	INDEX LTR.	DESCRIPTION VARIATION NUMBER	PART NUMBER	QTY.
0	Gasket, flange 1,2,3,4,5,8,12,13,14,15, 17,18,20,21,23,24,26,27, 29,31,32,33,38	240295	1	A	Magneto - assembly (Includes B thru Y) 1,3,4,5,12,13,18,33	B-270590	1
P	Pin, cotter (Discontinued--Not Available) 2	X-35-3	1	B	Felt, cam wiper 1,3,4,5,12,13,18,33	240609	1
Q	Insulator 2	270764	1	C	Lock, breaker arm 1,3,4,5,12,13,18,33	240610	1
R	Lead, ignition switch 2	271678	1	D	Washer, breaker point aligning 1,3,4,5,12,13,18,33	240618	1
	2	271679	1	E	Clamp, condenser 1,3,4,5,12,13,18,33	265751	1
S	Cable, battery 102	A-270251	1	F	Condenser 1,3,4,5,12,13,18,33	270541	1
T	Cable, battery 102	A-270252	1	G	Screw, fixed contact clamp 1,3,4,5,12,13,18,33	240615	2
U	Lead, low tension Use 14 gauge leads for all low tension circuit wiring except use 6 gauge wherever battery current is present and 10 gauge between ammeter to generator or to start switch. Low tension leads are available only in "multiple-use" kit form. Each kit includes an assortment of terminals plus a length of wire which is cut to match the length of the lead being replaced. The available low tension lead kits are:			H	Screw, condenser and coil core clamp 1,3,4,5,12,13,18,33	240614	4
				J	Point, breaker (Set) 1,3,4,5,12,13,18,33	240611	1
				K	Screw, impulse stop clamp 1,3,4,5,12,13,18,33	240639	4
				L	Clamp, coil core 1,3,4,5,12,13,18,33	240604	2
				M	Coil, group 1,3,4,5,12,13,18,33	270560	1
				N	Cover - unit 1,3,4,5,12,13,18,33	270566	1
				O	Group, stop button 1,3,4,5,12,13,18,33	240625	1
				P	Unit, ground connection 1,3,4,5,12,13,18,33	270572	1
				Q	Rotor 1,3,4,5,12,13,18,33	270540	1
				R	Coupling, impulse 1,3,4,5,12,13,18,33	271147	1
				S	Spacer, bearing cage group 1,3,4,5,12,13,18,33	240628	1
				T	Shield, ball bearing 1,3,4,5,12,13,18,33	240629	1
				U	Group, bearing cage 1,3,4,5,12,13,18,33	240630	1
				V	Spacer, impulse 1,3,4,5,12,13,18,33	240634	1
				W	Seal, oil 1,3,4,5,12,13,18,33	240635	1
				X	Group, impulse stop 1,3,4,5,12,13,18,33	240637	1
				Y	Slinger, oil 1,3,4,5,12,13,18,33	240638	1

KIT PART NO.	238056	238055	238054	238058	238060
Wire Size	6 ga.	10 ga.	14 ga.	16 ga.	18 ga.
Wire Length	20'	30'	40'	25'	25'



18 IGNITION

18 IGNITION



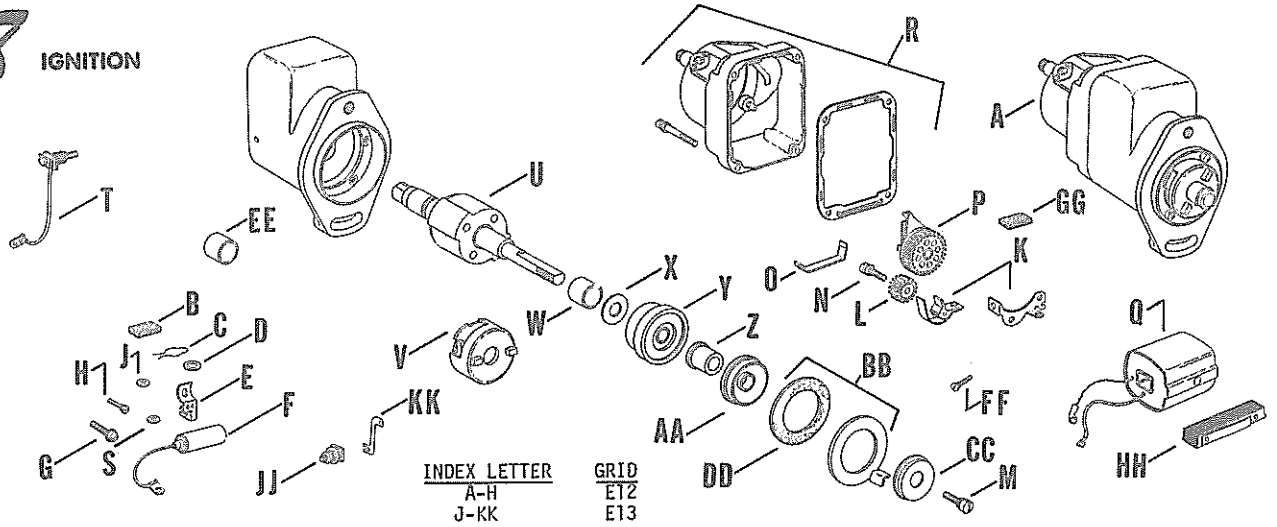
INDEX LETTER GRID
 A-Z E11
 AA-SS E12

INDEX LTR.	DESCRIPTION VARIATION NUMBER	PART NUMBER	QTY.	INDEX LTR.	DESCRIPTION VARIATION NUMBER	PART NUMBER	QTY.
A	Magneto - assembly (Includes B thru SS) 2	A-270595	1	N	Point, set 2	266240	1
B	Ring, shaft snap 2	153983	1	O	Ring, snap - fulcrum pin 2	241168	1
C	Bearing, drive end 2	153888	1	P	Cable, outlet 2	270765	2
D	Ring, bearing snap 2	153982	1	Q	Gasket, end cap 2	153996-1	1
E	Rotor 2	270768	1	R	Cap, end 2	270761	1
F	Key 2	266285	1	S	Spring, switch 2	270766	1
G	Bearing, cam end 2	270759	1	T	Screw, terminal #6 - 32 x 3/8 2	X-49-2	1
H	Support, bearing 2	270776	1	U	Screw, support #8 - 32 x 3/8 2	X-51-17	1
J	Screw, support #8 - 32 x 3/8 2	X-31-5	4	V	Washer, support screw #8 2	X-25-9	1
K	Washer, support screw #6 2	X-25-9	1	W	Wick, cam 2	A-266311	1
L	Screw, support #8 - 32 x 3/8 2	X-49-2	1	X	Washer, seal liner 2	266264	1
M	Screw, condenser #8 - 32 x 5/16 2	X-51-14	1	Y	Seal, shaft 2	153890	1
				Z	Condenser 2	280969	1

ILLUSTRATION ON GRID E11

INDEX LTR.	DESCRIPTION VARIATION NUMBER	PART NUMBER	QTY.	INDEX LTR.	DESCRIPTION VARIATION NUMBER	PART NUMBER	QTY.
AA	Washer, seal outer 2	153995	1	KK	Coupling - complete (Includes BB thru GG) 2	A-270771	1
BB	Spring, pawl lock 2	241169	1	LL	Pin, pawl stop 2	241175	1
CC	Pawl, coupling 2	241174	1	MM	Coil 2	270775	1
DD	Spring, pawl 2	272279	1	NN	Spring, coil lead 2	153969	2
EE	Hub 2	272280	1	OO	Housing 2	272277	1
FF	Spring, coupling 2	270769	1	PP	Kit, housing screen 2	241516	1
GG	Shell, coupling 2	270774	1	QQ	Screw, cover #6 - 32 x 1/4 2	X-49-25	2
HH	Bushing, gear 2	272281	1	RR	Setscrew, coil 5/16 - 24 x 7/8 2	241181	2
JJ	Nut, coupling 2	270773	1	SS	Screw, end cap 2	X-15-15	4

18 IGNITION



INDEX LTR.	DESCRIPTION VARIATION NUMBER	PART NUMBER	QTY.	INDEX LTR.	DESCRIPTION VARIATION NUMBER	PART NUMBER	QTY.
A	Magneto - assembly (Includes B thru KK) 8,14,15,17,20,21,23,24,26, 27,38	A-270966	1	E	Clamp, condenser 8,14,15,17,20,21,23,24,26, 27,38	265751	1
B	Felt, cam wiper 8,14,15,17,20,21,23,24,26, 27,38	240609	1	F	Condenser 8,14,15,17,20,21,23,24,26, 27,38	270541	1
C	Lock, breaker arm 8,14,15,17,20,21,23,24,26, 27,38	240610	1	G	Screw, fixed contact clamp 8,14,15,17,20,21,23,24,26, 27,38	240615	2
D	Washer, breaker point aligning 8,14,15,17,20,21,23,24,26, 27,38	240618	1	H	Screw, condenser and coil core clamp 8,14,15,17,20,21,23,24,26, 27,38	240614	4

INDEX LTR.	DESCRIPTION VARIATION NUMBER	PART NUMBER	QTY.	INDEX LTR.	DESCRIPTION VARIATION NUMBER	PART NUMBER	QTY.																																				
J	Washer, breaker pivot 8,14,15,17,20,21,23,24,26, 27,38	240656	1	CC	Slinger, oil 8,14,15,17,20,21,23,24,26, 27,38	240638	1																																				
K	Point, breaker (Set) 8,14,15,17,20,21,23,24,26, 27,38	240611	1	DD	Gasket, impulse stop 8,14,15,17,20,21,23,24,26, 27,38	240636	1																																				
L	Gear, distributor 8,14,15,17,20,21,23,24,26, 27,38	240612	1	EE	Bushing, breaker plate 8,14,15,17,20,21,23,24,26, 27,38	240661	1																																				
M	Screw, impulse stop clamp 8,14,15,17,20,21,23,24,26, 27,38	240639	4	FF	Screw, breaker spring clamp 8,14,15,17,20,21,23,24,26, 27,38	271226	1																																				
N	Screw, distributor gear 8,14,15,17,20,21,23,24,26, 27,38	240617	1	GG	Felt, breaker arm 8,14,15,17,20,21,23,24,26, 27,38	240613	1																																				
O	Clamp, coil core 8,14,15,17,20,21,23,24,26, 27,38	240604	2	HH	Group, coil core 8,14,15,17,20,21,23,24,26, 27,38	240605	1																																				
P	Arm, distributor 8,14,15,27,20,21,23,24,26, 27,38	240603	1	JJ	Unit, ground connection 8,14,15,17,20,21,23,24,26, 27,38	270572	1																																				
Q	Coil, group 8,14,15,17,20,21,23,24,26, 27,38	271144	1	KK	Line, ground connection 8,14,15,17,20,21,23,24,26, 27,38	240621	1																																				
R	Cover - unit 8,14,15,17,20,21,23,24,26, 27,38	271141	1																																								
S	Washer, breaker point aligning 8,14,15,17,20,21,23,24,26, 27,38	240619	1																																								
T	Unit, ground connection 8,14,15,17,20,21,23,24,26, 27,38	270572	1																																								
U	Rotor 8,14,15,17,20,21,23,24,26, 27,38	271145	1																																								
V	Coupling, impulse 8,14,15,17,20,21,23,24,26, 27,38	270565	1	<table border="1"> <thead> <tr> <th>INDEX LETTER</th> <th>GRID</th> </tr> </thead> <tbody> <tr> <td>A-G</td> <td>E13</td> </tr> <tr> <td>H-P</td> <td>E14</td> </tr> </tbody> </table>				INDEX LETTER	GRID	A-G	E13	H-P	E14																														
INDEX LETTER	GRID																																										
A-G	E13																																										
H-P	E14																																										
W	Spacer, bearing cage group 8,14,15,17,20,21,23,24,26, 27,38	240628	1	<table border="1"> <thead> <tr> <th>INDEX LTR.</th> <th>DESCRIPTION VARIATION NUMBER</th> <th>PART NUMBER</th> <th>QTY.</th> </tr> </thead> <tbody> <tr> <td colspan="4" style="text-align: center;">Use stock of original part number before ordering replacement.</td> </tr> <tr> <td>A</td> <td>Distributor - assembly 29,31,32</td> <td>A-271687</td> <td>1</td> </tr> <tr> <td>B</td> <td>Clamp, cover hold down 29,31,32</td> <td>271947</td> <td>1</td> </tr> <tr> <td>C</td> <td>Condenser 29,31,32</td> <td>271878</td> <td>1</td> </tr> <tr> <td>D</td> <td>Cap, cover 29,31,32</td> <td>271949</td> <td>1</td> </tr> <tr> <td>E</td> <td>Gasket, cap 29,31,32</td> <td>271919</td> <td>1</td> </tr> <tr> <td>F</td> <td>Sleeve, cam 29,31,32</td> <td>271874</td> <td>1</td> </tr> <tr> <td>G</td> <td>Point - set (Replaced by 271879) 29,31,32</td> <td>A-271879</td> <td>1</td> </tr> </tbody> </table>				INDEX LTR.	DESCRIPTION VARIATION NUMBER	PART NUMBER	QTY.	Use stock of original part number before ordering replacement.				A	Distributor - assembly 29,31,32	A-271687	1	B	Clamp, cover hold down 29,31,32	271947	1	C	Condenser 29,31,32	271878	1	D	Cap, cover 29,31,32	271949	1	E	Gasket, cap 29,31,32	271919	1	F	Sleeve, cam 29,31,32	271874	1	G	Point - set (Replaced by 271879) 29,31,32	A-271879	1
INDEX LTR.	DESCRIPTION VARIATION NUMBER	PART NUMBER	QTY.																																								
Use stock of original part number before ordering replacement.																																											
A	Distributor - assembly 29,31,32	A-271687	1																																								
B	Clamp, cover hold down 29,31,32	271947	1																																								
C	Condenser 29,31,32	271878	1																																								
D	Cap, cover 29,31,32	271949	1																																								
E	Gasket, cap 29,31,32	271919	1																																								
F	Sleeve, cam 29,31,32	271874	1																																								
G	Point - set (Replaced by 271879) 29,31,32	A-271879	1																																								
X	Shield, ball bearing 8,14,15,17,20,21,23,24,26, 27,38	240629	1																																								
Y	Group, bearing cage 8,14,15,17,20,21,23,24,26, 27,38	240630	1																																								
Z	Spacer, impulse 8,14,15,17,20,21,23,24,26, 27,38	240634	1																																								
AA	Seal, oil 8,14,15,17,20,21,23,24,26, 27,38	240635	1																																								
BB	Group, impulse stop (Includes DD) 8,14,15,17,20,21,23,24,26, 27,38	240637	1																																								

ILLUSTRATION ON GRID E13

ILLUSTRATION ON GRID E14 F2

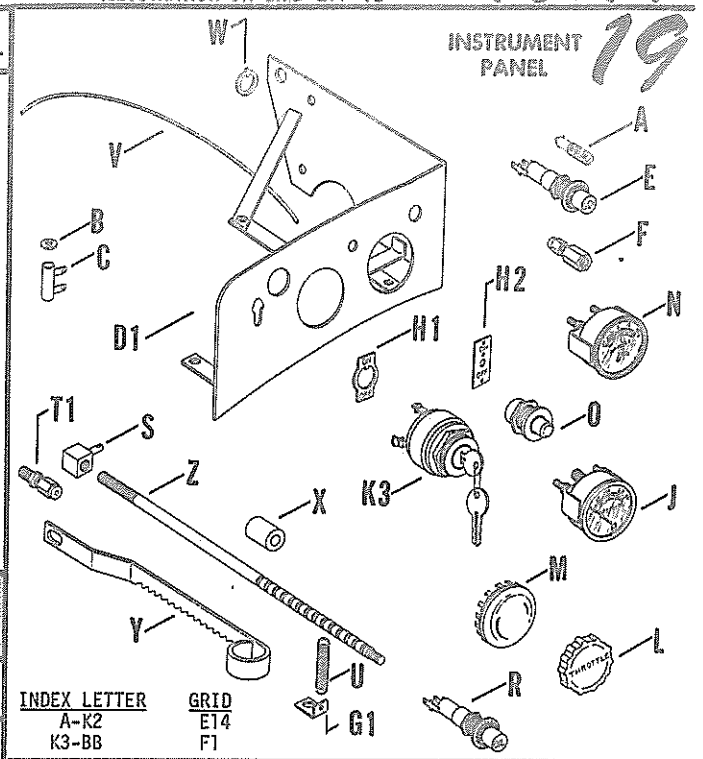
INDEX LTR.	DESCRIPTION VARIATION NUMBER	PART NUMBER	QTY.
H	Washer, bronze 29,31,32	271945	1
J	Weight, advance 29,31,32	271941	2
K	Spring 29,31,32	271876	1
L	Washer, spacer 29,31,32	271944	2
M	Bushing 29,31,32	271943	1
N	Seal, oil 29,31,32	271877	1
O	Shaft 29,31,32	271942	1
P	Spring 29,31,32	271875	1

19 INSTRUMENT PANEL
ILLUSTRATION ON GRID E14 F2

INDEX LTR.	DESCRIPTION VARIATION NUMBER	PART NUMBER	QTY.
------------	------------------------------	-------------	------

Use stock of original part number before ordering replacement.

A	Bulb, light 38,81 214,216,217	271258 271258	2 1
B	Washer, insulated 38 81 216,217	243321 243321 243321	2 4 1
C	Resistor 38,214,216,217 81	243970 243970	1 2
D1	Panel, instrument 1,2,7,8,9,10,18,22,24,33, 68,82,96,99,200 15 29 100,106	271721 272160 A-271107 272061	1 1 1 1
D2	Panel, instrument (Replaced by 274184) 13,60,103 Panel, instrument 51 94,98	A-274184 271347 272023	1 1 1
D3	Panel, instrument 38,54	271153	1
E	Light, indicating 38,81,216,217	271784	1

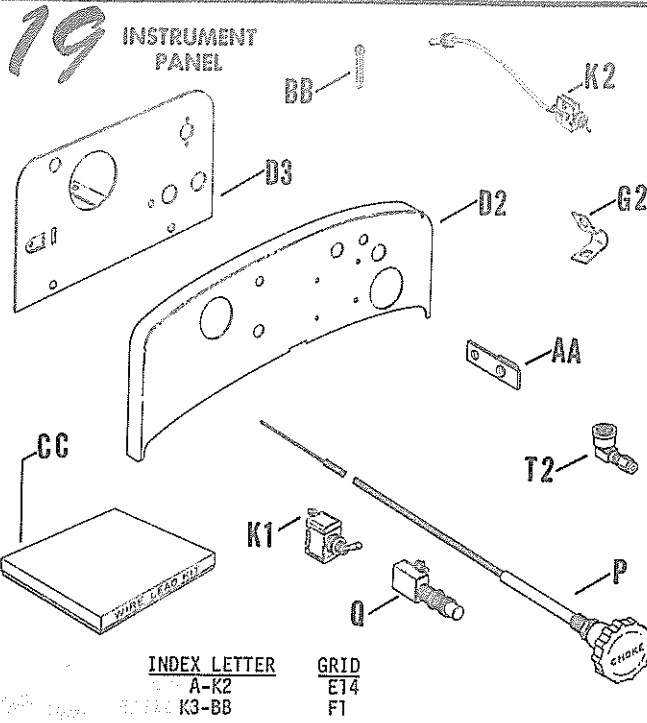


INDEX LETTER
A-K2
K3-BB

GRID
E14
F1

INDEX LTR.	DESCRIPTION VARIATION NUMBER	PART NUMBER	QTY.
F	Connector 1,2,3,8,9,14,18,24,25,29, 33,38,54,84,94,95,96,98, 200,208,213,218,500	X-298-1	1
	7,10,13,15,22,51,60,82, 94,98,99,100,103,106	X-721-1	1
G1	Clip, throttle 3,13,14,38,54,60,81,84, 94,95,98,103	274043	1
G2	Clip, throttle 9,24,200	210149	1
H1	Plate, instruction 1,2,3,25,38,200,203,205, 216	151508	1
	Plate, switch 7,8,9,10,13,14,15,18,33, 54,60,84,94,96,98,99,103, 106,206	220725	1
H2	Plate, instruction 29	271108	1
J	Gauge, oil pressure 1,2,3,7,8,9,10,13,14,15,18, 22,24,25,29,33,38,51,54,60, 82,84,94,95,96,98,99,100, 103,106,200,202,203,204, 205,206,207,208,210,212, 213,216,218,500	270231	1
K1	Switch, ignition 1,2,3,7,8,9,10,13,14,15, 18,33,54,60,68,84,94,95, 96,98,99,103,106,200,203, 205,206	151510-2	1
	38	271198	1
K2	Switch, ignition 29	A-271110	1

INDEX LTR.	DESCRIPTION VARIATION NUMBER	PART NUMBER	QTY.	INDEX LTR.	DESCRIPTION VARIATION NUMBER	PART NUMBER	QTY.
K3	Switch, ignition 81	271773	1	S	Block, swivel (Use 270270 prior to serial no. 285709)		
L	Knob, throttle 1,2,3,7,8,10,13,14,29,33, 60,68,81,94,95,96,98,99, 103,106,201	270414	1		1,2,3,7,8,10,13,14,29,33, 60,68,81,94,95,96,98,99, 103,106	270410	1
M	Button, plug 2-3/32 dia. 1,7,10,13,29,60,82,200,500	244419	1		201	270410	2
	Button, plug 7/8 dia. 13,82,94,98	X-301-8	1	T1	Connector 1,2,3,7,8,9,10,13,14,15,18, 22,24,25,29,33,51,60,82,84, 94,95,96,98,99,100,103,200, 208,218,500	X-343	1
N	Ammeter (Replaced by 277190) 2,8,9,14,18,24,25,33,84, 95,96,202,203,204,205, 206,208,209,210,213,214	270230	1	T2	Connector 38,54	X-344-1	1
	Ammeter 99,100,103,106,211,212	277190	1	U	Spring, throttle rod 1,2,3,7,8,10,13,14,29,33, 60,68,81,94,95,96,98,99, 103,106,208,213	270409	1
O	Button, starter 2,9,18,25,68,202,203,206	270232	1		38,54	271294	1
	8,10,14,25,33,60,84,95,96, 99,103,106	272433	1	V	Line, oil 1,2,3,7,8,9,10,13,14,15, 18,22,24,25,29,33,38,51, 54,60,82,84,94,95,96,98, 99,100,103,106,200,500	X-302-1	1
	204,205,212,216	271232	1	W	Ring, lock 1,2,3,7,8,9,10,13,14,15, 18,25,33,38,54,60,68,84, 94,95,96,98,99,103,106, 200,203,205,206	151511	1
P	Cable, choke 15 (Discontinued--Not Available) (Use 270234 27" prior to serial no. 273674) (Use 270379 14" prior to serial no. 285709)	270617	1	X	Spacer 1-1/16 38	X-400-45	1
	Cable, choke 12-1/4 3	270757	1		54	X-400-14	1
	Cable, choke 15-1/2 7,8,9,10,15,18,24,29,96,99	270943	1		Spacer 1-3/16 38	244054	1
	Cable, choke 12-3/4 (Replaced by 270757) 13,14,51,60,103	271247	1		54	X-400-13	1
	Cable, choke 15-7/8 33	X-410-4	1	Y	Lever, throttle (Discontinued--Not Available) 38,54	270910	1
	Cable, choke 7 38,54	X-410-5	1	Z	Rod, throttle 1,2,7,8,10,29,33,68,96, 99,106,201	270408	1
	81,84	271781	1		3,13,14,60,94,95,98,103	270718	1
	Cable, choke 27 68,203,205	271202	1		81	271782	1
	Cable, choke 6-3/4 94,95	X-410-6	1	AA	Linkage 38,54	A-270909	1
	Cable, choke 10-3/8 98	X-410-7	1	BB	Pin, cotter 1/16 x 3/4 (Discontinued--Not Available) 1,2,3,8,10,14,29,33,81, 95,96,200	X-36-2	1
	Cable, choke 9-1/2 106	271720	1		Pin, cotter 1/16 x 3/8 1,2,3,8,14,18,29,33,81, 95,96,200	X-36-4	1
	Cable, choke 29 202,204,206,212	270941	1		Pin, cotter 1/16 x 1/2 (Discontinued--Not Available) 7,13,60,98,103	X-36-1	2
Q	Switch, starting 38,54	270870	1		10,84,94,99,106,220	X-36-1	1
R	Light, oil indicating 81,214,217	271783	1				



INDEX LETTER	GRID
A-K2	E14
K3-BB	F1

INDEX LTR.	DESCRIPTION VARIATION NUMBER	PART NUMBER	QTY.
------------	------------------------------	-------------	------

CC Lead, low tension

Use 14 gauge leads for all low tension circuit wiring except use 6 gauge wherever battery current is present and 10 gauge between ammeter to generator or to start switch. Low tension leads are available only in "multiple-use" kit form. Each kit includes an assortment of terminals plus a length of wire which is cut to match the length of the lead being replaced. The available low tension lead kits are:

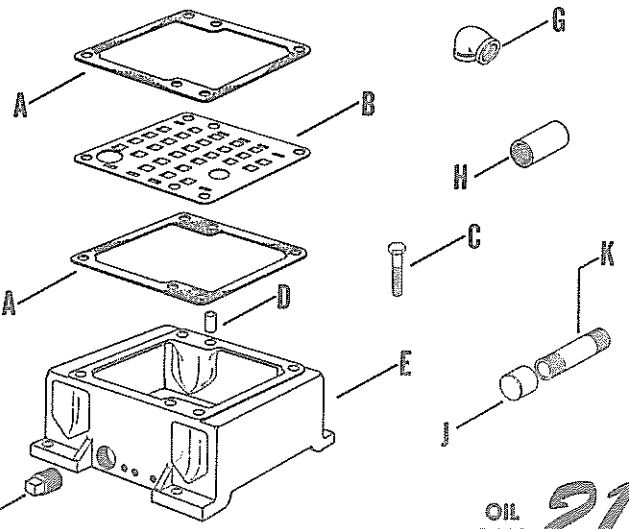
KIT PART NO.	238056	238055	238054	238058	238060
Wire Size	6 ga.	10 ga.	14 ga.	16 ga.	18 ga.
Wire Length	20'	30'	40'	25'	25'

INDEX LTR.	DESCRIPTION VARIATION NUMBER	PART NUMBER	QTY.
------------	------------------------------	-------------	------

Use stock of original part number before ordering replacement.

A	Gasket, oil pan 1,2,3,4,6,9,11,14,17,21	270120	2
B	Baffle, pan 1,2,3,4,6,8,9,11,14,17,21	272057	1
C	Screw, hex. hd. 3/8 - 16 x 1 1,2,3,4,6,9,11,14,17,21	270677	4

INDEX LTR.	DESCRIPTION VARIATION NUMBER	PART NUMBER	QTY.
D	Pin, dowel 21	272056	2
E	Base, oil pan (Side drain) 1 3,4,9,14,17 6 11 13	272595 270623 271200 271374 270122	1 1 1 1
	Base, oil pan (Rear drain) 2 21	270821 272056	1 1
F	Plug, pipe 3/4 sq. hd. 1,2,11,21 4	X-75-6 X-75-18	1 1
	Plug, pipe 3/4 sq. hd. (Replaced by X-75-6) 6,9,17	X-75-24	1
G	Elbow 3/4 x 90° 9	X-215-2	1
H	Coupling, pipe 4	X-216-13	1
J	Cap, pipe 3/4 3,8	X-268-1	1
K	Nipple 3/4 I.P. x 5-1/2 3,8	X-206-5	1
	Nipple 3/4 I.P. x 10-1/2 4	X-206-16	1
	Nipple 3/4 I.P. x 4-1/2 9	X-206-12	1



OIL PAN 21

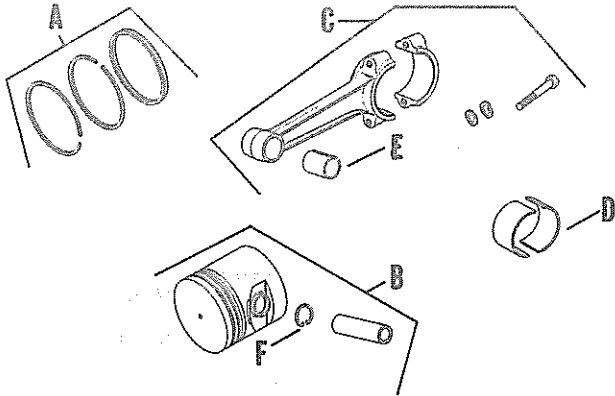
22, 24, 25

K662

22 PISTON AND ROD

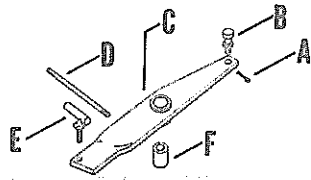
REMOTE THROTTLE

24



INDEX LTR.	DESCRIPTION VARIATION NUMBER	PART NUMBER	QTY.
A	Pin, cotter 1/16 x 1/2 (Discontinued--Not Available) 1	X-36-1	1
B	Connector, wire 1	270803	1
C	Arm, pivot 1	271447	1
D	Rod, throttle 1	271151	1
E	Ball joint 1	241074	2
F	Bushing 1	271448	1

INDEX LTR.	DESCRIPTION VARIATION NUMBER	PART NUMBER	QTY.
A	Ring set - Std. & .003 (Service) ALL	271508	2
	Ring set - .010 (Service)	271509	
	Ring set - .020 (Service)	271510	
	Ring set - .030 (Service)	271511	
B	Piston - Std. (Includes pin & retainers) ALL	A-270024	2
	Piston - .003 (Includes pin & retainers)	A-271320	
	Piston - .010 (Includes pin & retainers)	A-270026	
	Piston - .020 (Includes pin & retainers)	A-270030	
	Piston - .030 (Includes pin & retainers)	A-270032	
C	Rod, conn. - assembly (Includes E) (Steel) 1,3,5	A-270890	2
	Rod, conn. - assembly (Aluminum) 2,4,6,7	A-271741	2
D	Bearing, rod - Std. Pr. 1,2,4,5,6,7	271418	2
	Bearing, rod - .002 U.S.	271419	
	Bearing, rod - .010 U.S.	271420	
	Bearing, rod - .020 U.S.	271421	
E	Bushing, pin 1,3,5	270063-S	2
F	Retainer, pin ALL	X-269-16	4



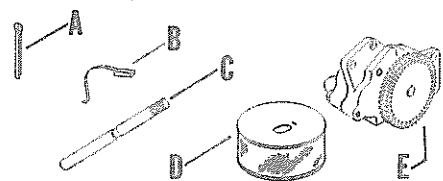
REMOTE THROTTLE

24

OIL PUMP

25

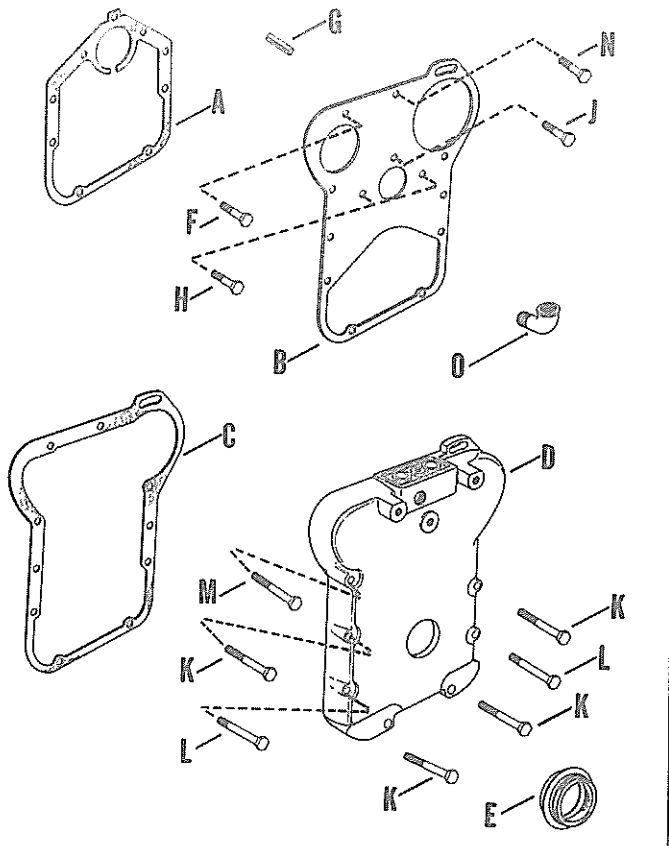
INDEX LTR.	DESCRIPTION VARIATION NUMBER	PART NUMBER	QTY.
Use stock of original part number before ordering replacement.			
A	Pin, cotter 3/64 x 3/4 (Discontinued--Not Available) 1,9	X-36-6	1
	Pin, cotter 1/16 x 3/4 3	X-36-2	1
B	Clip, oil tube 1,2,3,9	270085	1
C	Tube, oil 1,3,9	270088	1
D	Strainer (Replaced by 270086) 1,2,3,9	A-270086	1
E	Pump, oil 1	49 393 02	1
	Pump, oil (Discontinued--Not Available) 3	A-270105	1
	Pump, oil (Replaced by 49 393 02) 9	A-272576	1



OIL PUMP

25

26 GEAR COVER



INDEX LTR.	DESCRIPTION VARIATION NUMBER	PART NUMBER	QTY.
A	Gasket, plate ALL	270127	1
B	Plate, gear cover ALL	270128	1
C	Gasket, gear cover ALL	270140	1
D	Cover, gear 1,2,3,12,13	270141	1
	7	271459	1
	14	272130	1
E	Seal, front oil ALL	270143	1
F	Screw, hex. hd. 5/16 - 18 x 3/4 ALL	X-6-11	1
G	Pin, roll 14	X-280-13	2
H	Screw, hex. hd. 5/16 - 18 x 7/8 ALL	X-154-1	2
J	Screw, hex. hd. 5/16 - 18 x 1/2 ALL	X-6-1	1

INDEX LTR.	DESCRIPTION VARIATION NUMBER	PART NUMBER	QTY.
K	Screw, hex. hd. 5/16 - 18 x 2-1/4 ALL	X-6-3	4
L	Screw, hex. hd. 5/16 - 18 x 2-1/4 1,2,3,7,12,13	X-6-3	2
	Screw, 5/16 - 18 x 2-1/4 14	272131	2
M	Screw, hex. hd. 5/16 - 18 x 2-1/2 ALL	X-125-11	1
N	Screw, hex. hd. 5/16 - 18 x 3/4 ALL	X-154-5	1
O	Elbow, street 7	X-211-8	1

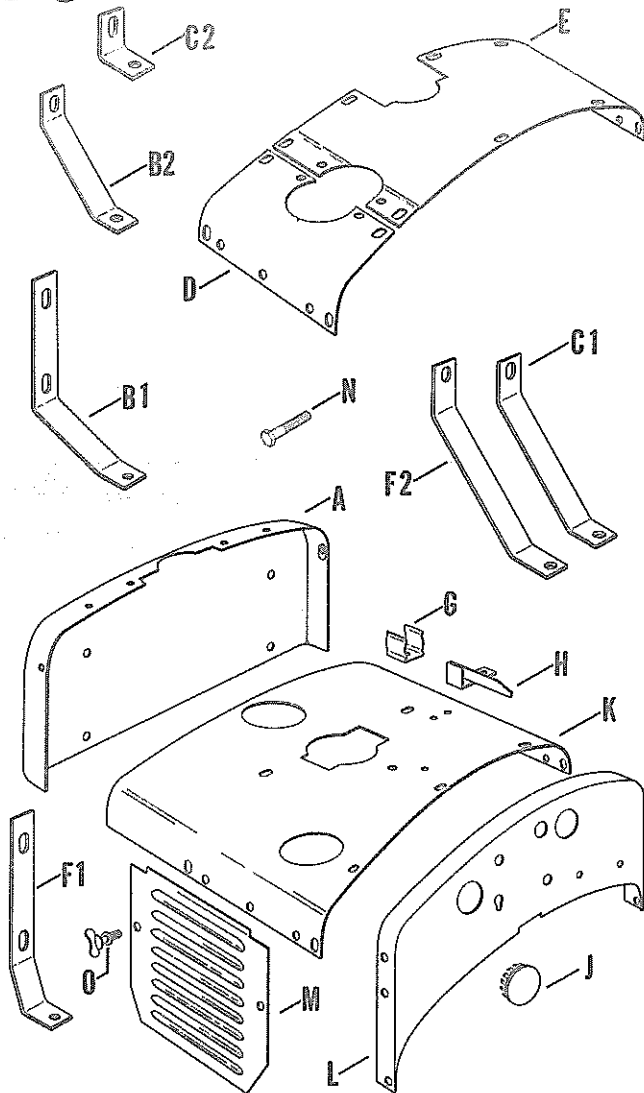
WEATHER HOUSING 28

INDEX LTR.	DESCRIPTION VARIATION NUMBER	PART NUMBER	QTY.
Use stock or original part number before ordering replacement.			
A	Panel, rear 1,2,3,5,7,100	274034	1
	8,9,13,15	274129	1
	10,12,14	272217	1
	19	271912	1
	21	272022	1
	23	272021	1
	25,26,27	272218	1
B1	Brace, panel 1,2,3,5,7,8,9,10,12,13, 14,15,19,21,23,25,26,27,100	274048	1
B2	Brace, panel 17	271777	1
C1	Brace, panel 1,2,3,5,7,8,9,10,12,13, 14,15,19,21,23,25,26,27,100	274047	1
C2	Brace, panel 17	271778	1
D	Hood, housing left hand 9,13,15,19,21,23	274135	1
E	Hood, housing right hand 9	274136	1
	13,15	274185	1
	19	271913	1
	21,23	272020	1
F1	Brace, panel 1,2,3,5,7,8,9,10,12,13, 14,15,19,21,23,25,26,27,100	274049	1

28.29

K662

28 WEATHER HOUSING



INDEX LETTER	GRID
A-F1	F4
F2-O	F5

INDEX LTR.	DESCRIPTION VARIATION NUMBER	PART NUMBER	QTY.
F2	Brace, panel 17	271776	1
G	Clamp, crank handle 1,2,3,5,7,10,12,13,14, 15,19,27	274053	1
H	Bracket, crank handle 1,2,3,5,7,10,12,13,14, 15,19,27	274052	1
J	Button, plug 7/8 dia. 1,2,5,7,12,14,15,21,25,27	X-301-8	1
	Button, plug 2-3/32 dia. 1,2,12,15,21,25,27,100	244419	1
	5,7,14	244419	2

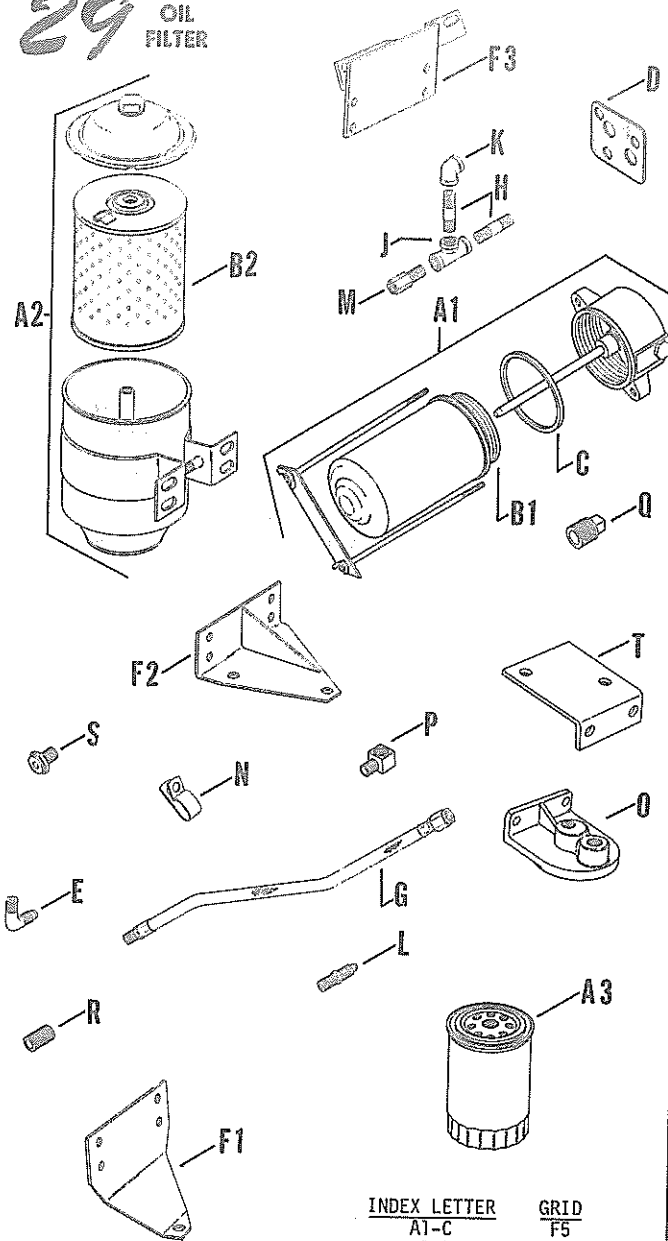
INDEX LTR.	DESCRIPTION VARIATION NUMBER	PART NUMBER	QTY.
K	Hood 1,3,5,7	274038	1
	8	274127	1
	10,12,14,26,27	274182	1
	17	271780	1
	25	272044	1
	Hood (Discontinued--Not Available) 2,100	274037	1
L	Panel, front 1,2,3,5,7,100	A-274044	1
	8	271347	1
	17	A-271779	1
	23	272023	1
M	Panel, front (Replaced by 274184) 14,19	A-274184	1
	Panel, side 1,2,3,5,7,100	274035	2
N	8,9,10,12,13,14,15,19,21, 25,26,27	A-274126	2
	Screw, hex. hd. 5/16 - 18 x 1-3/4 17	230406	1
O	Stud, wing 1,2,3,5,7	X-393-1	4

ILLUSTRATION ON GRID F6

OIL FILTER **29**

INDEX LTR.	DESCRIPTION VARIATION NUMBER	PART NUMBER	QTY.
Use stock of original part number before ordering replacement.			
A1	Filter, oil - assembly (Includes B1 & C) 1	A-270192	1
A2	Filter, oil - assembly (Includes B2) 2,3,4,100,101,200	A-270732	1
	6,7,8,10	A-271271	1
A3	Filter, oil 13	277233	1
B1	Element, oil filter 1	270197	1
B2	Element, oil filter 2,3,4,100,101,200	270733	1
	6,7,8,10	271283	1
C	Gasket, element 1	250318	1

29 OIL FILTER



INDEX LETTER GRID
 A1-C F5
 D-T F6

INDEX LTR.	DESCRIPTION VARIATION NUMBER	PART NUMBER	QTY.
D	Gasket, filter 1	270193	1
E	Elbow 2	X-447-10	1
	3,4,10,100,101	X-447-10	2
	6,7,8	X-447-4	2
F1	Bracket, filter 2	274050	1
F2	Bracket, filter mounting 3,10,200	271095	1

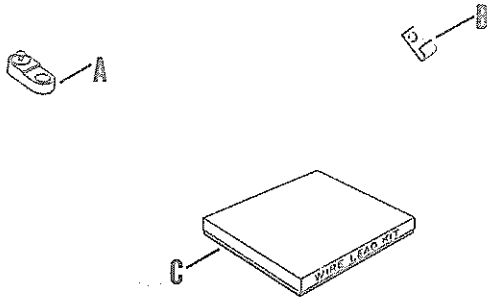
INDEX LTR.	DESCRIPTION VARIATION NUMBER	PART NUMBER	QTY.
F3	Bracket, filter mounting 7,100,101	271489	1
	8	271540-1	1
G	Line, oil 20 2,200	265486	1
	Line, oil 24 (Discontinued--Not Available) 2,201	265485	1
	Line, oil 10 3	265811	2
	4	265811	1
	Line, oil 12 4,10,100,101,200	285188	1
	6,7	271261	1
	13	285188	2
	Line, oil 14 6,7,8	271321	1
	100,101	265462	1
	Line, oil 8 10	270727	1
H	Nipple 1/8 x 3/4 3,4,6,100,101	X-217-6	2
	7	X-217-6	1
J	Tee, pipe 3,6,7,100,101	X-203-10	1
	7	X-203-16	1
	Tee, pipe (Replaced by X-203-10) 4	153404	1
K	Elbow 1/8 x 90° 3,4,100,101	D-220	1
L	Connector 2	X-296-1	1
	13	X-296-1	2
M	Restriction 2,3,4,6,7,10,11,13,100,101, 200,201	280035	1
N	Clip 2	265851	1
O	Adapter, filter 13	277345	1
P	Elbow, street 1/8 13	X-555-2	1
Q	Plug, pipe 1/8 sq. hd. 7	X-75-1	1
R	Nipple 1/2 I.D. x 3/4 O.D. x 1 13	277234	1
S	Bushing, reducer 13	X-202-27	2
T	Bracket, adapter mounting 13	49 126 01	1

31.32

K662

31 HIGH TEMPERATURE CUTOUT

OIL PRESSURE CUTOUT **32**



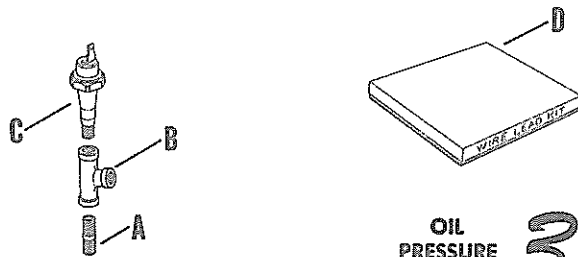
INDEX LTR.	DESCRIPTION VARIATION NUMBER	PART NUMBER	QTY.
A	Nipple 1	X-217-6	1
B	Tee, pipe 1	X-203-16	1
C	Switch, low oil pressure 1	271662	1
D	Lead, low tension		

Use 14 gauge leads for all low tension circuit wiring except use 6 gauge wherever battery current is present and 10 gauge between ammeter to generator or to start switch. Low tension leads are available only in "multiple-use" kit form. Each kit includes an assortment of terminals plus a length of wire which is cut to match the length of the lead being replaced. The available low tension lead kits are:

INDEX LTR.	DESCRIPTION VARIATION NUMBER	PART NUMBER	QTY.
A	Switch, high temperature 1	230989	1
B	Clip, lead 1	275182	1
C	Lead, low tension		

Use 14 gauge leads for all low tension circuit wiring except use 6 gauge wherever battery current is present and 10 gauge between ammeter to generator or to start switch. Low tension leads are available only in "multiple-use" kit form. Each kit includes an assortment of terminals plus a length of wire which is cut to match the length of the lead being replaced. The available low tension lead kits are:

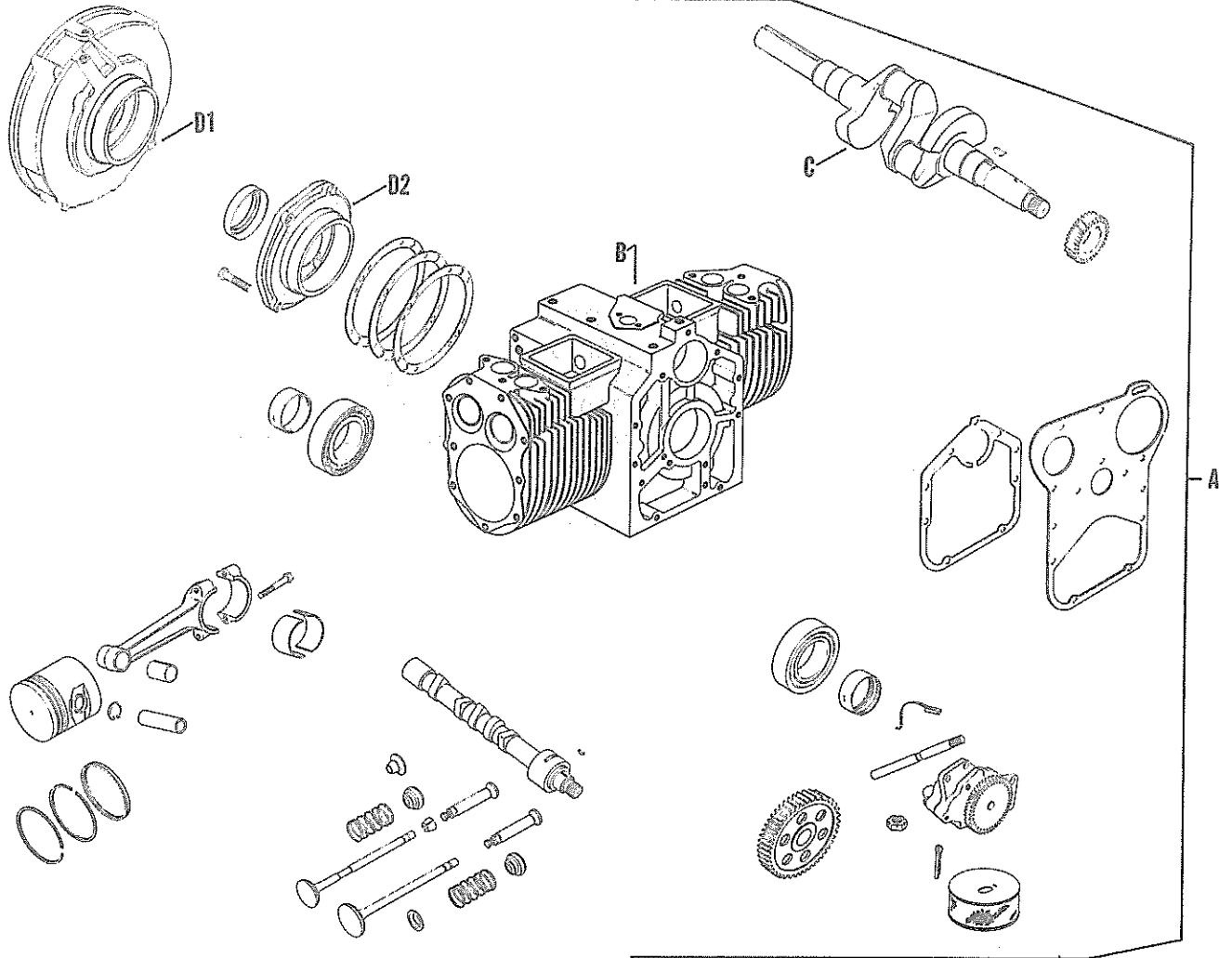
KIT PART NO.	238056	238055	238054	238058	238060
Wire Size	6 ga.	10 ga.	14 ga.	16 ga.	18 ga.
Wire Length	20'	30'	40'	25'	25'



OIL PRESSURE CUTOUT **32**

KIT PART NO.	238056	238055	238054	238058	238060
Wire Size	6 ga.	10 ga.	14 ga.	16 ga.	18 ga.
Wire Length	20'	30'	40'	25'	25'

41 SHORT BLOCK



INDEX LTR.	DESCRIPTION VARIATION NUMBER	PART NUMBER	QTY.	INDEX LTR.	DESCRIPTION VARIATION NUMBER	PART NUMBER	QTY.
	Use stock of original part number before ordering replacement.			B	Block, cylinder - assembly (Replaced by 49 005 01) 1,2,3,4,5	A-270600	1
A	Short Block - assembly (Replaced by B-271398*) 1	A-271398	1	C	Crankshaft 1	270682	1
	Short Block - assembly (Replaced by B-271413*) 2	A-271413	1		2	271548	1
	Short Block - assembly (Replaced by B-271577*) 3	A-271577	1		3	271339	1
	Short Block - assembly (Replaced by B-271952*) 4	A-271952	1		4	271861	1
	Short Block - assembly (Replaced by B-272008*) 5	A-272008	1		5	271659	1
				D1	Bracket, generator support 1	270679	1
				D2	Plate, rear closure 2,4,5	270611	1
					3	271338	1

* Includes Gasket Set

ACCESSORIES

<u>Spec. No.</u>	<u>Qty.</u>	<u>Part No.</u>	<u>Description</u>
33153	1	X-286-8	Key
33161	1	270120	Gasket
	1	270223	Gasket
	1	271004	Tube
	1	271012	Tube
	1	271059	Gasket, flange
33174	2	270190	Bracket
	1	270612	Bracket
33261	1	X-384-2	Spacer
	1	270449	Elbow

LIMITED PRODUCTION ENGINE SPECIFICATIONS

The following engines were produced in limited sample quantities and do not appear in the specification index.

3310	3385	33144	33196	33260	33315	33375	33439	3915
3313	3388	33145	33200	33262	33317	33377	33443	3917
3316	3389	33146	33206	33265	33319	33378	33448	3918
3317	3391	33147	33207	33266	33320	33383	33450	3923
3322	3392	33148	33211	33268	33322	33384	33458	3929
3323	3394	33149	33213	33271	33325	33385	33460	3936
3325	3397	33150	33214	33272	33326	33386	33464	3937
3326	3398	33151	33215	33273	33327	33387	33468	3941
3329	33100	33152	33216	33274	33328	33389	33474	3942
3338	33101	33157	33217	33277	33329	33391	33476	3946
3339	33102	33158	33218	33279	33331	33392	33480	3949
3340	33103	33159	33219	33283	33332	33393	33519	3951
3341	33104	33160	33221	33284	33334	33394	33520	3952
3343	33105	33163	33222	33285	33342	33395	33523	3953
3344	33109	33165	33224	33287	33343	33396	33528	3956
3349	33112	33168	33225	33288	33348	33397	33530	3958
3356	33114	33173	33226	33289	33349	33401	33538	3961
3358	33117	33175	33227	33290	33353	33402	33543	3965
3359	33118	33177	33228	33292	33354	33403	33558	3967
3361	33123	33179	33234	33293	33355	33406	33560	3972
3362	33126	33180	33235	33295	33356	33410	33562	3979
3363	33128	33181	33238	33296	33357	33411	33570	3984
3364	33129	33182	33241	33297	33359	33413	33571	3986
3367	33130	33183	33242	33300	33362	33419	33578	3989
3368	33131	33184	33246	33302	33363	33420	3901	3991
3372	33132	33186	33247	33303	33364	33422	3902	3992
3374	33133	33187	33248	33308	33366	33425	3903	3994
3375	33136	33188	33249	33309	33368	33427	3905	3996
3377	33137	33190	33252	33310	33369	33430	3909	3999
3380	33138	33193	33255	33311	33370	33432	3910	39100
3382	33139	33194	33256	33313	33372	33433	3911	39101
3384	33141	33195	33259	33314	33374	33437	3913	

GASKET SET - 49 004 04

(SLEEVE BEARING)(WITHOUT SEALS)

<u>Part No.</u>	<u>Description</u>	<u>Qty.</u>
240295	Gasket, magneto	1
270034	Gasket, valve cover	2
270112	Gasket, cover	1
270120	Gasket, oil pan	2
270127	Gasket, gear cover plate	1
270140	Gasket, gear cover	1
270153	Gasket, breather	1
270165	Gasket, manifold	2
270195	Gasket, governor	1
270223	Gasket, carburetor	1
270396	Gasket, rear closure plate	3
270397	Gasket, rear closure plate	3
275156	Gasket, cylinder head	2
47 041 01	Gasket, fuel pump	1

OVERHAUL GASKET SET - 49 755 02

(SLEEVE BEARING)(INCLUDES SEALS)

<u>Part No.</u>	<u>Description</u>	<u>Qty.</u>
X-271-18	Seal, rear oil	1
X-379-1	Seal, rear oil	1
240295	Gasket, magneto mtg.	1
270034	Gasket, valve cover	2
270112	Gasket, cover	1
270120	Gasket, oil pan	2
270127	Gasket, gear cover plate	1
270140	Gasket, gear cover	1
270143	Gasket, front oil	1
270153	Gasket, breather	1
270165	Gasket, manifold	2
270195	Gasket, governor mtg.	1
270223	Gasket, carburetor	1
270396	Gasket, rear closure plate	3
270397	Gasket, rear closure plate	3
275156	Gasket, cylinder head	2
47 041 01	Gasket, fuel pump	1

GASKET SET - 49 004 05

(STD. - ROLLER BEARING)(WITHOUT SEALS)

Part No.	Description	Qty.
240295	Gasket, magneto	1
270034	Gasket, valve cover	2
270120	Gasket, oil pan	2
270127	Gasket, gear cover plate	1
270140	Gasket, gear cover	1
270153	Gasket, breather	1
270165	Gasket, manifold	2
270195	Gasket, governor	1
270223	Gasket, carburetor	1
270627	Gasket, closure plate	6
270628	Gasket, closure plate	4
271698	Shim, closure plate	1
275156	Gasket, cylinder head	2
47 041 01	Gasket, fuel pump	1

OVERHAUL GASKET SET - 49 755 03

(STD. - ROLLER BEARING)(INCLUDES SEALS)

Part No.	Description	Qty.
X-379-1	Seal, rear oil	1
240295	Gasket, magneto	1
270034	Gasket, valve cover	2
270120	Gasket, oil pan	2
270127	Gasket, gear cover plate	1
270140	Gasket, gear cover	1
270143	Seal, front oil	1
270153	Gasket, breather	1
270165	Gasket, manifold	2
270195	Gasket, governor	1
270223	Gasket, carburetor	1
270627	Gasket, closure plate	6
270628	Gasket, closure plate	4
271698	Shim, closure plate	1
275156	Gasket, cylinder head	2
47 041 01	Gasket, fuel pump	1

KOHLER engines

ENGINE DIVISION, KOHLER CO., KOHLER, WISCONSIN 53044