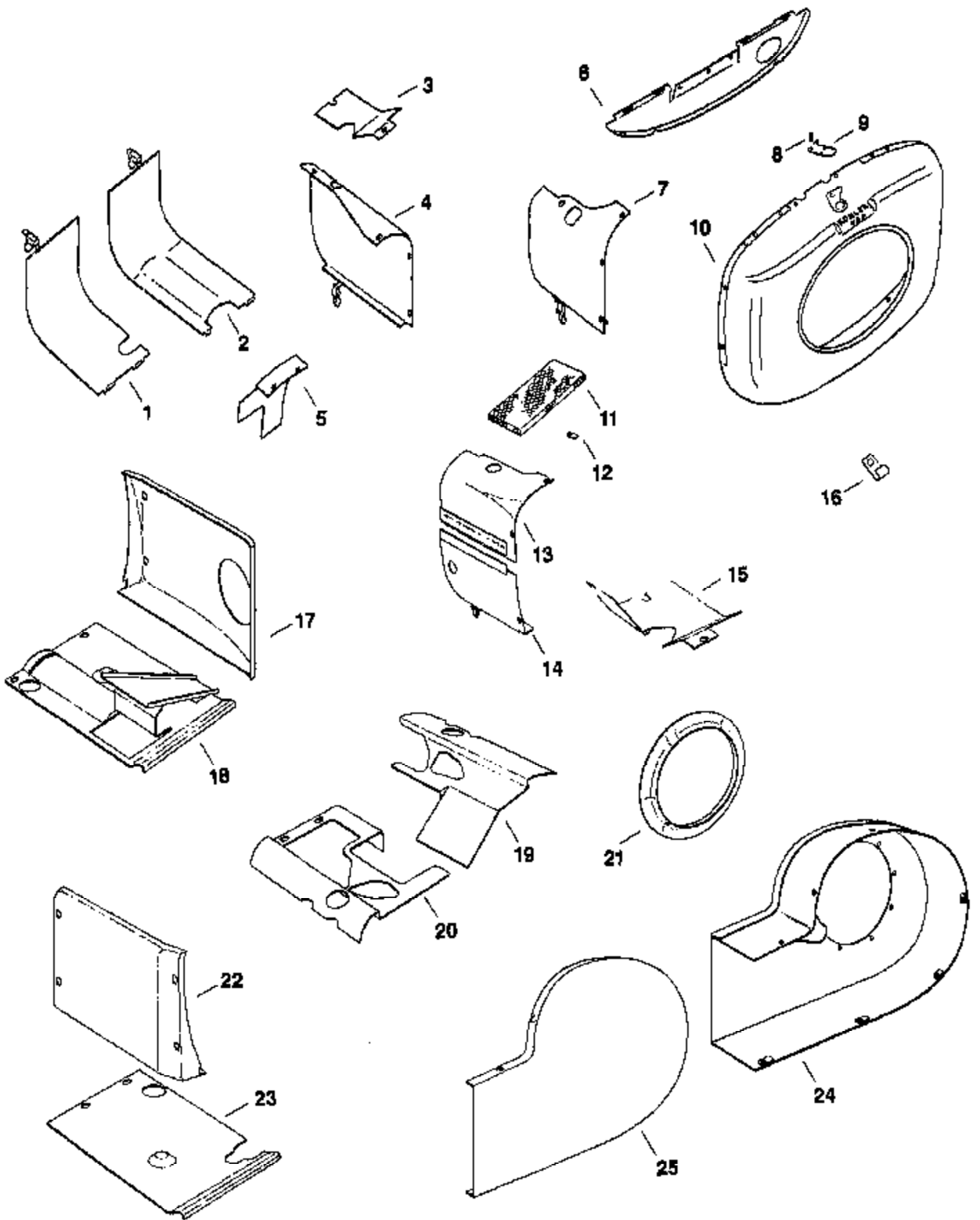


---

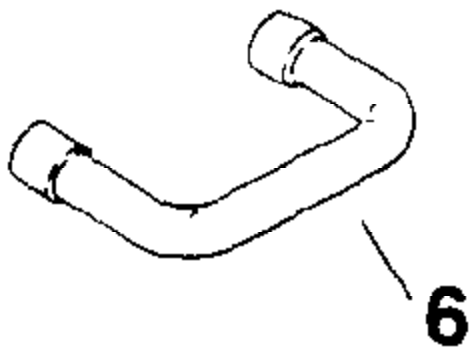
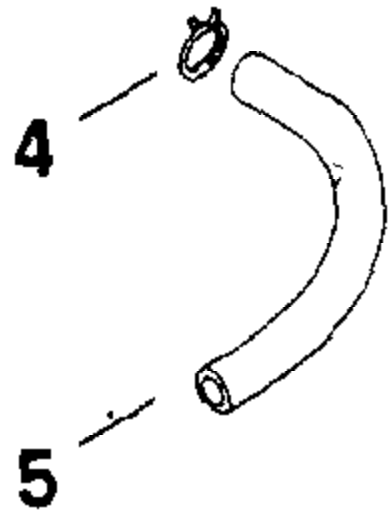
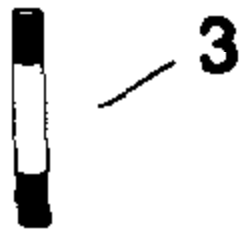
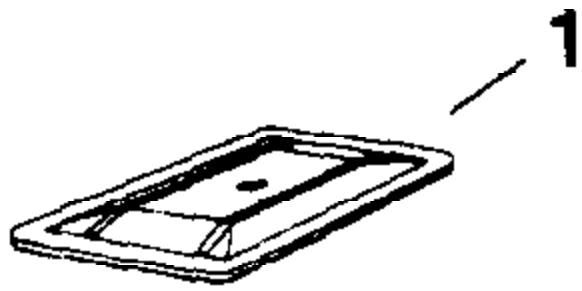
Ref #	Part Number	Qty	Description
24	25 041 06-S	1	Gasket, elbow
25	48 054 09	1	Elbow, air cleaner Discontinued not available at Kohler Co.
35	277116-S	1	Brace, elbow

---

K532-53168 Page 2 of 48  
Air Intake - Pg. 17



Ref #	Part Number	Qty	Description
6	277058-S	1	Baffle, blower housing support
10	48 027 04	1	Housing, blower Replaced by 48 027 11-S
17	48 063 03-S	1	Baffle, side cylinder #2
18	48 063 04-S	1	Baffle, bottom cylinder #2
19	48 063 02-S	1	Baffle, top cylinder #2
20	48 063 05-S	1	Baffle, top cylinder #1
22	48 063 06-S	1	Baffle, side cylinder #1
23	48 063 07-S	1	Baffle, bottom cylinder #1

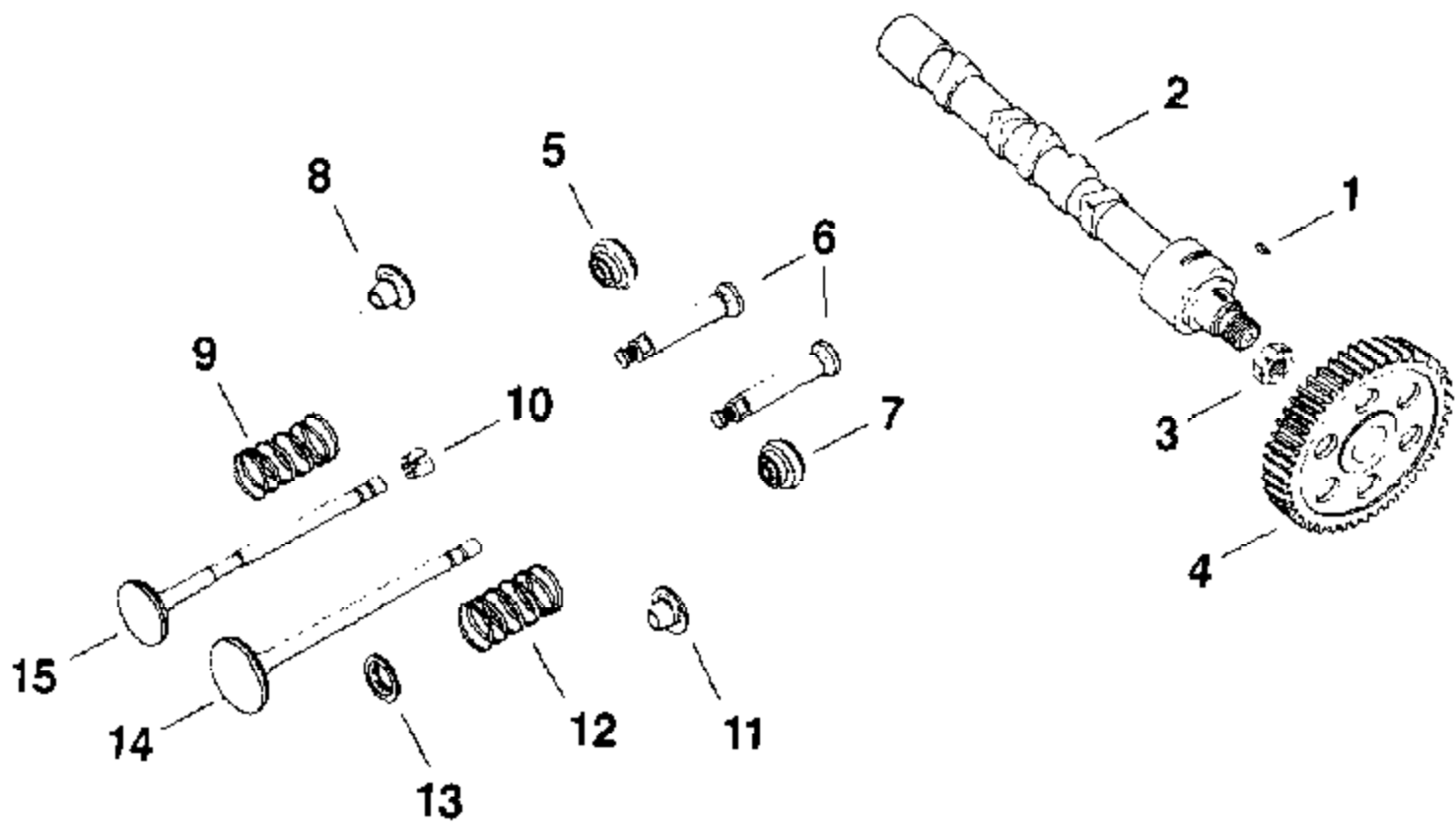


---

Ref #	Part Number	Qty	Description
1	270036-S	2	Cover, valve
2	270034-S	2	Gasket, valve cover
3	220368-S	2	Stud, valve cover
4	X-426-3-S	2	Clamp, hose
5	277392-S	1	Hose, breather 9-1/16"

---

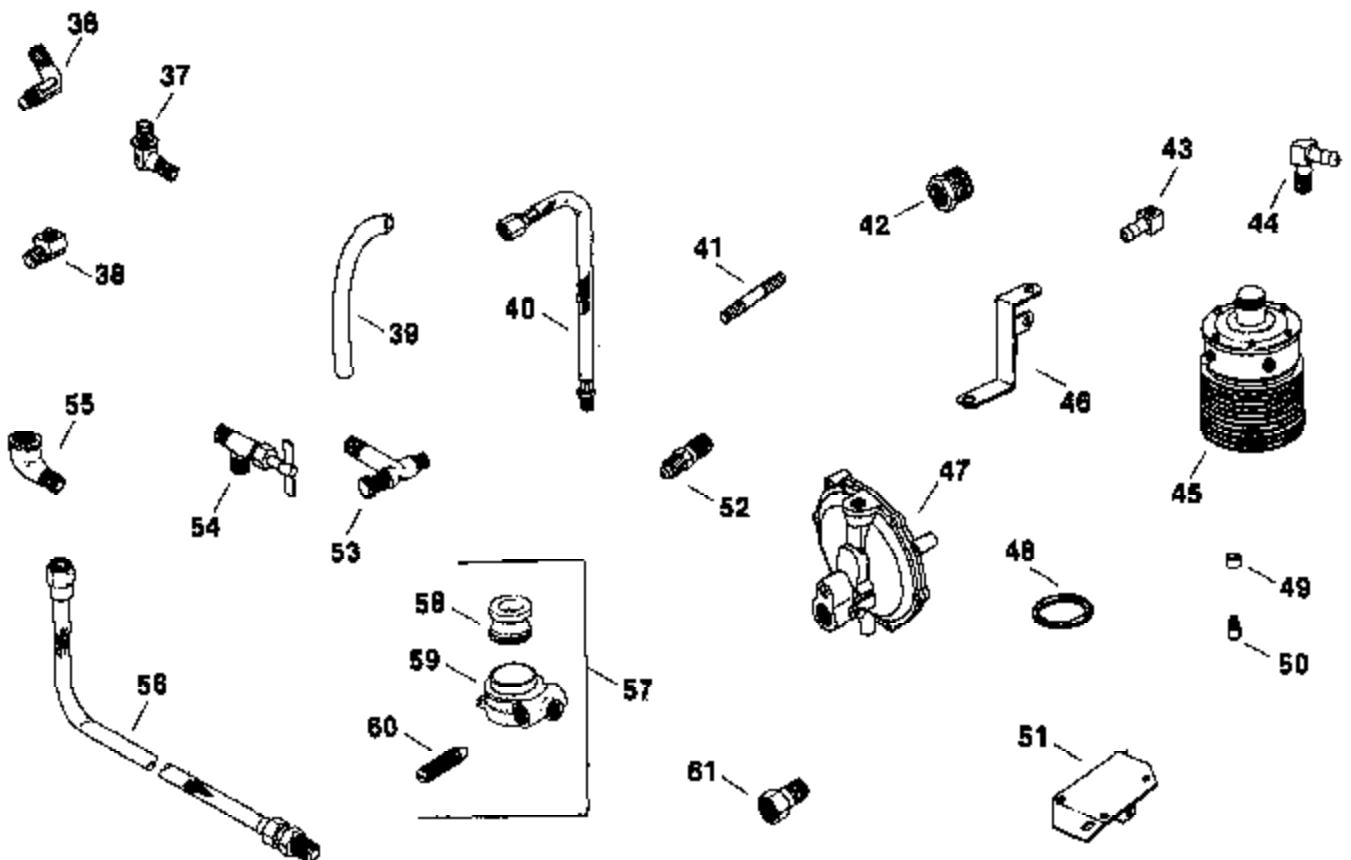
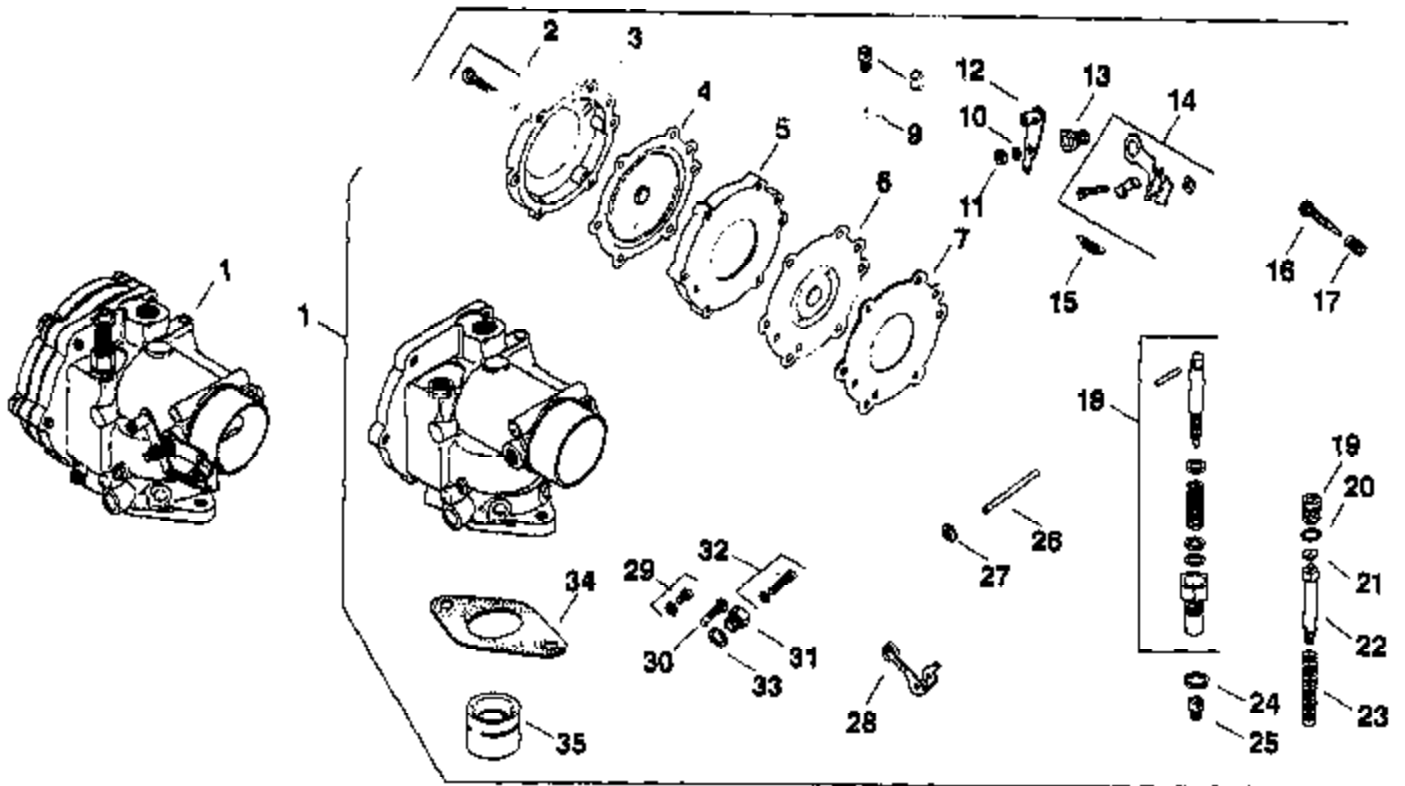
K532-53168 Page 6 of 48  
Breather & Vent



Ref #	Part Number	Qty	Description
1	X-43-1-S	1	Key, woodruff #3
2	48 012 01-S	1	Camshaft
3	X-119-17-S	1	Nut, jam 3/4 - 16
4	277012	1	Gear, camshaft Replaced by 48 755 34-S
6	D-277031-S	4	Tappet
8	230011-S	2	Retainer, exhaust valve spring
9	235010-S	2	Spring, exhaust valve
10	41 755 10-S	1	Kit, retainer
11	230011-S	2	Retainer, intake valve spring
12	235010-S	2	Spring, intake valve
13	235011-S	4	Retainer, valve spring
14	235008-S	2	Valve, intake
15	48 016 01-S	2	Valve, exhaust

K532-53168 Page 8 of 48  
Camshaft & Valves

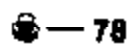
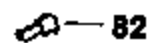
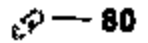
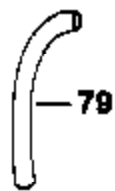
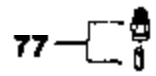
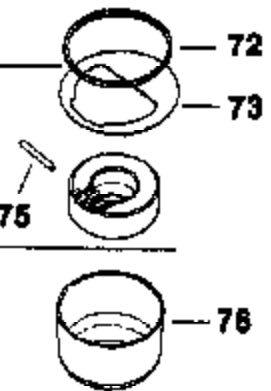
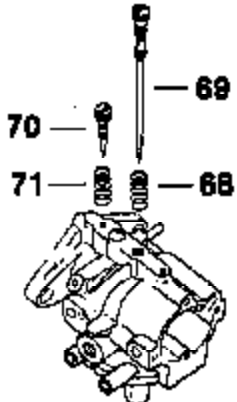
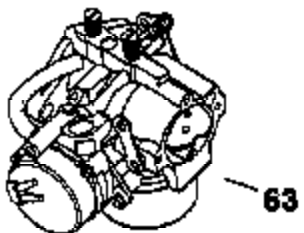
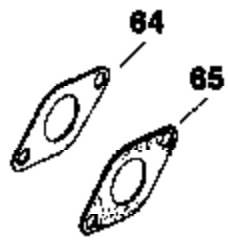
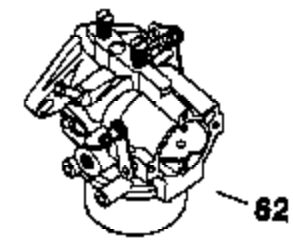




---

Ref #	Part Number	Qty	Description
41	X-352-10-S	2	Stud
44	25 155 02-S	1	Connector, hose
	25 757 02-S	1	Repair kit, carburetor Includes bowl nut gasket, bowl ring gasket, float pin, bowl gasket & needle with seat & gasket

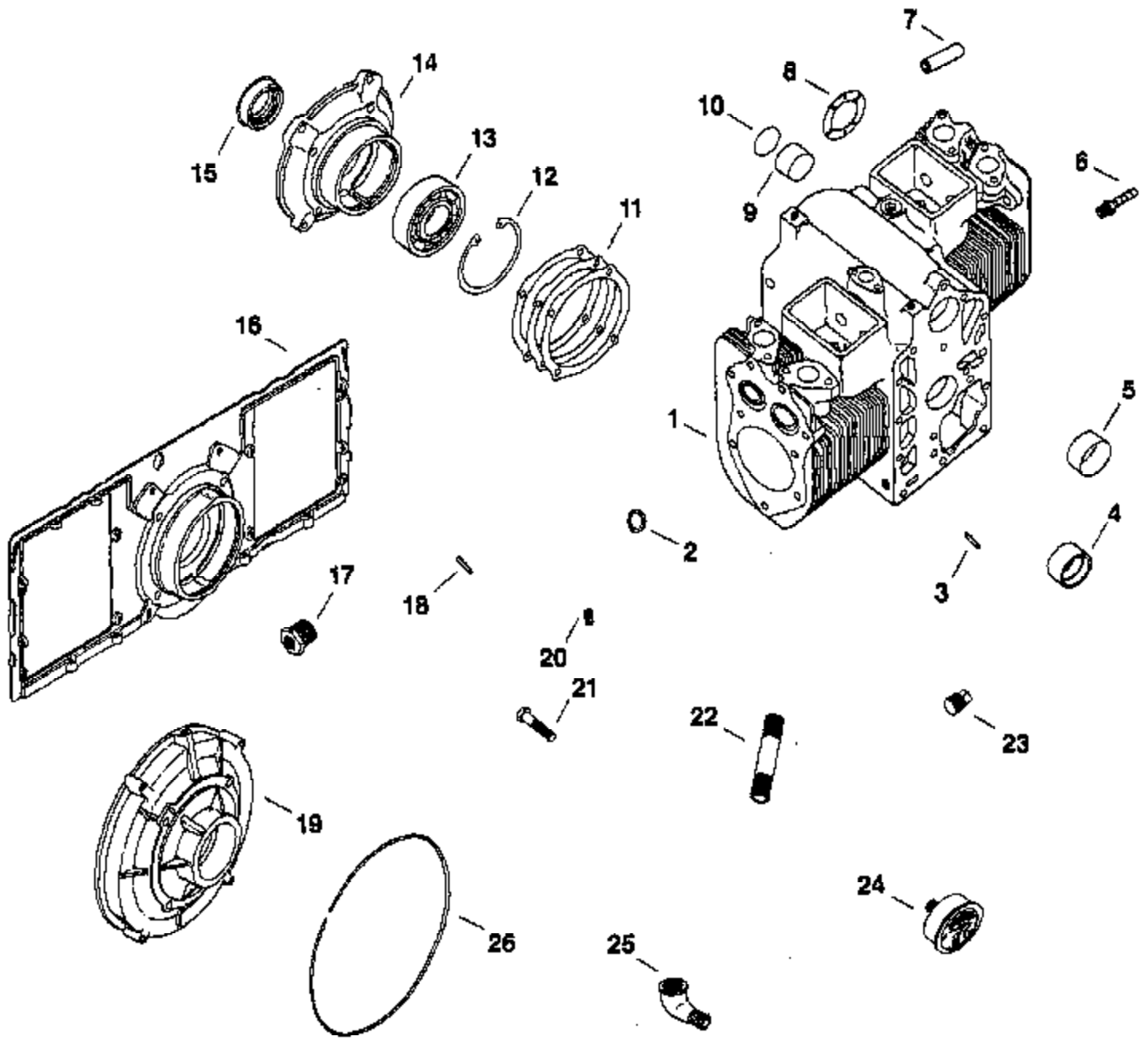
---



Ref #	Part Number	Qty	Description
62	48 053 11-S	1	Carburetor - assembly Includes 68-78
65	271030-S	1	Gasket, carburetor
68	200383-S	1	Spring, main fuel adjusting needle
69	47 103 01-S	1	Needle, main fuel adjusting
70	277210-S	1	Needle, idle fuel adjusting
71	200380-S	1	Spring, idle fuel adjusting needle
72	200375-S	1	Gasket, fuel bowl
73	25 041 02-S	1	Gasket, anti-splash
74	25 753 03	1	Kit, Float Includes 73
75	200376-S	1	Pin, float hinge
76	235448-S	1	Bowl, fuel
77		1	Needle and seat Available in carburetor repair kit only
78	25 041 02-S	1	Nut, fuel bowl
80	48 237 01	1	Carburetor - Clamp, swivel wire Replaced by 48 755 10-S
	25 757 02-S	1	Repair kit, carburetor Includes bowl nut gasket, bowl ring gasket, float pin, bowl gasket & needle with seat & gasket

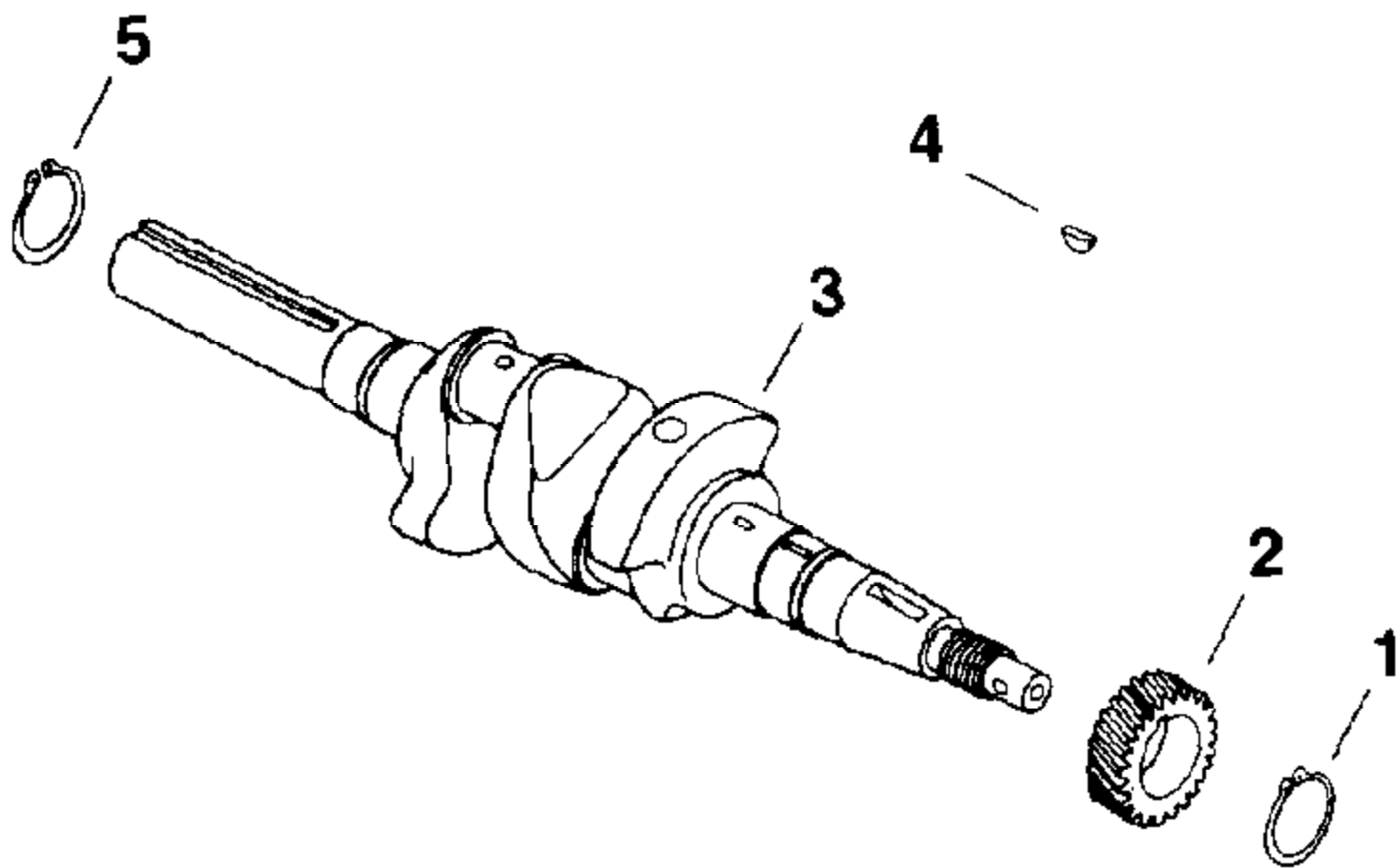
K532-53168 Page 12 of 48

Carburetor - Page 25



Ref #	Part Number	Qty	Description
1	48 005 05	1	Crankcase - assembly Includes 2,7
2	230265-S	2	Insert, valve
4	48 030 03	1	Bearing, crankshaft
4	48 030 04	1	Bearing, crankshaft .010 U.S.
4	48 030 05-S	1	Bearing, crankshaft .020 U.S.
5	277038	1	Bushing, front camshaft
7	235007-S	4	Guide, valve
9	277039-S	1	Bushing, rear camshaft
10	160037-S	1	Plug, Welch 1-1/2
11	277087-S	1	Gasket, closure plate
12	X-269-31-S	1	Ring, retaining 4-23/64" O.D.
13	277062-S	1	Bearing, ball
15	277065-S	1	Seal, rear oil
16	48 009 05-S	1	Plate, rear closure
20	X-75-23-S	4	Plug, pipe 1/8"
20	47 139 01-S	2	Plug, pipe 3/4"
25	48 283 03-S	1	Elbow

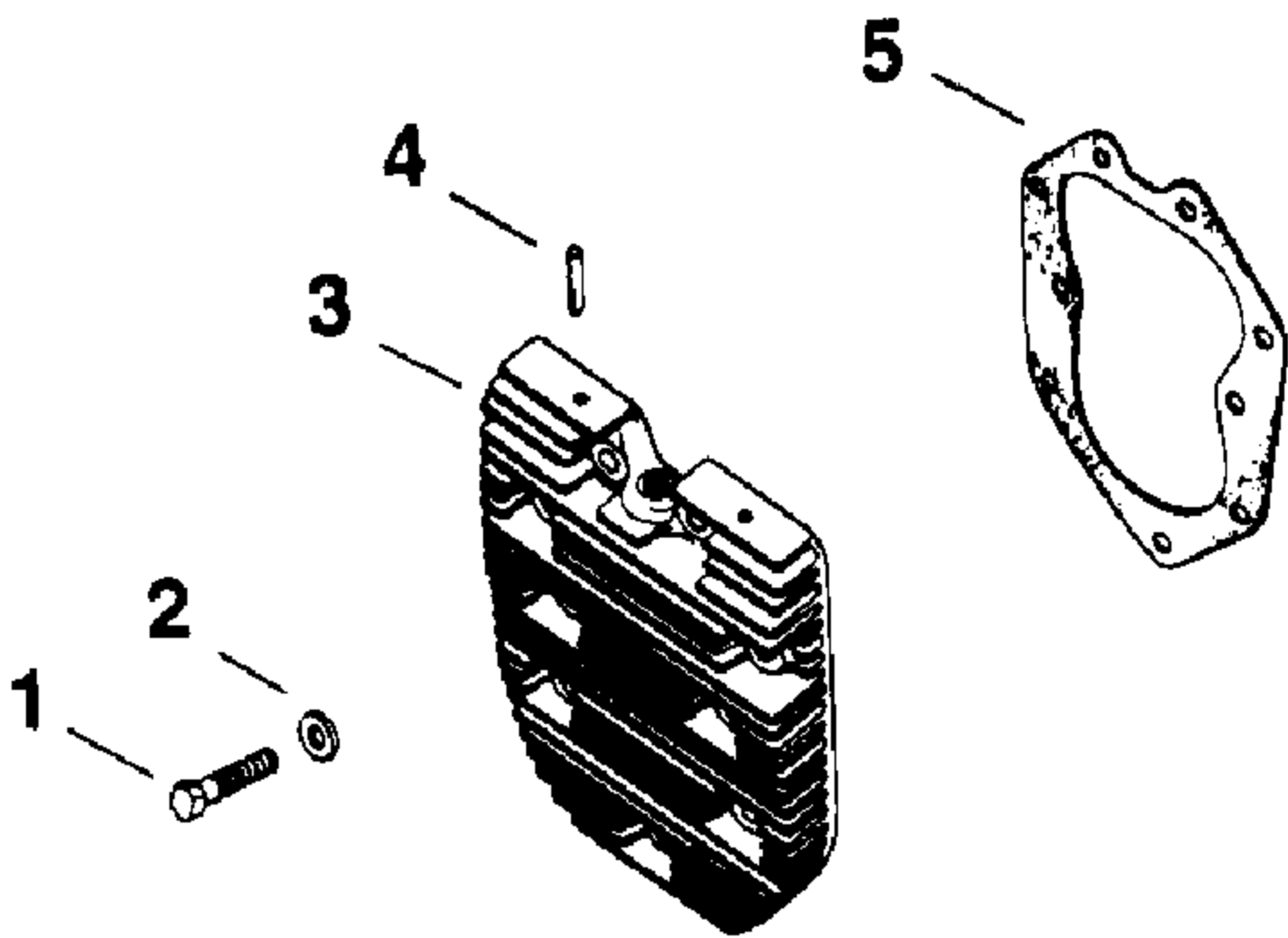
K532-53168 Page 14 of 48  
Crankcase Seal, rear oil



Ref #	Part Number	Qty	Description
1	X-269-32-S	1	Ring, retaining 1-7/16" I.D.
2	48 043 15-S	1	Gear, crankshaft
3	48 014 05-S	1	Crankshaft
3		1	Crankshaft Discontinued not available at Kohler Co.
4	X-42-15-S	1	Key, woodruff
5	X-269-30-S	1	Ring, retaining 1-5/8" I.D.

K532-53168 Page 16 of 48  
Crankshaft



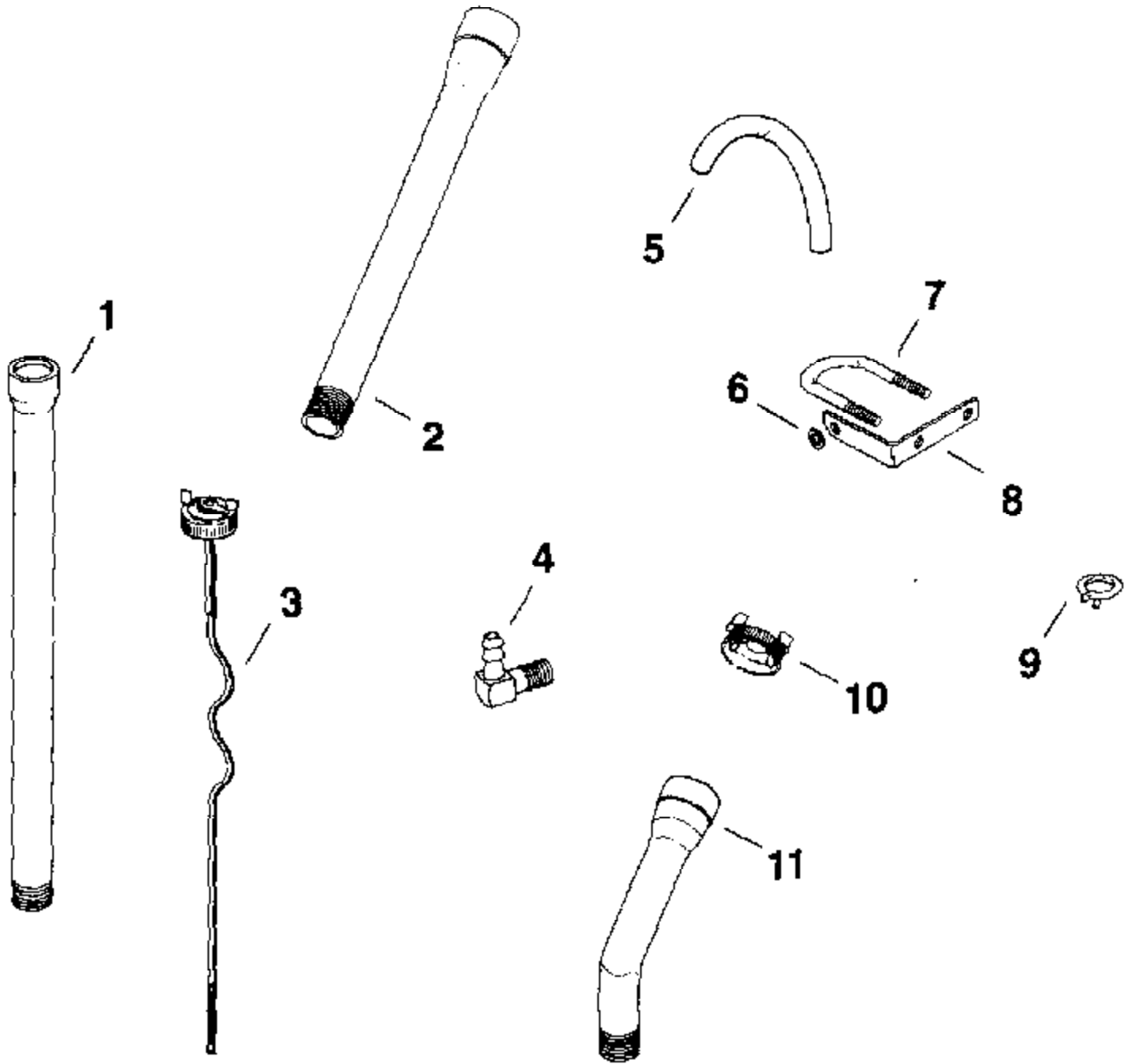


---

Ref #	Part Number	Qty	Description
1	270158-S	18	Screw, hex. hd. 3/8 - 16 x 1-1/2"
2	270889-S	18	Washer 3/8"
3	277043	2	Head, cylinder Replaced by 48 015 02-S
5	48 052 01	2	Gasket, cylinder head Replaced by 48 041 10

---

K532-53168 Page 18 of 48  
Cylinder Head

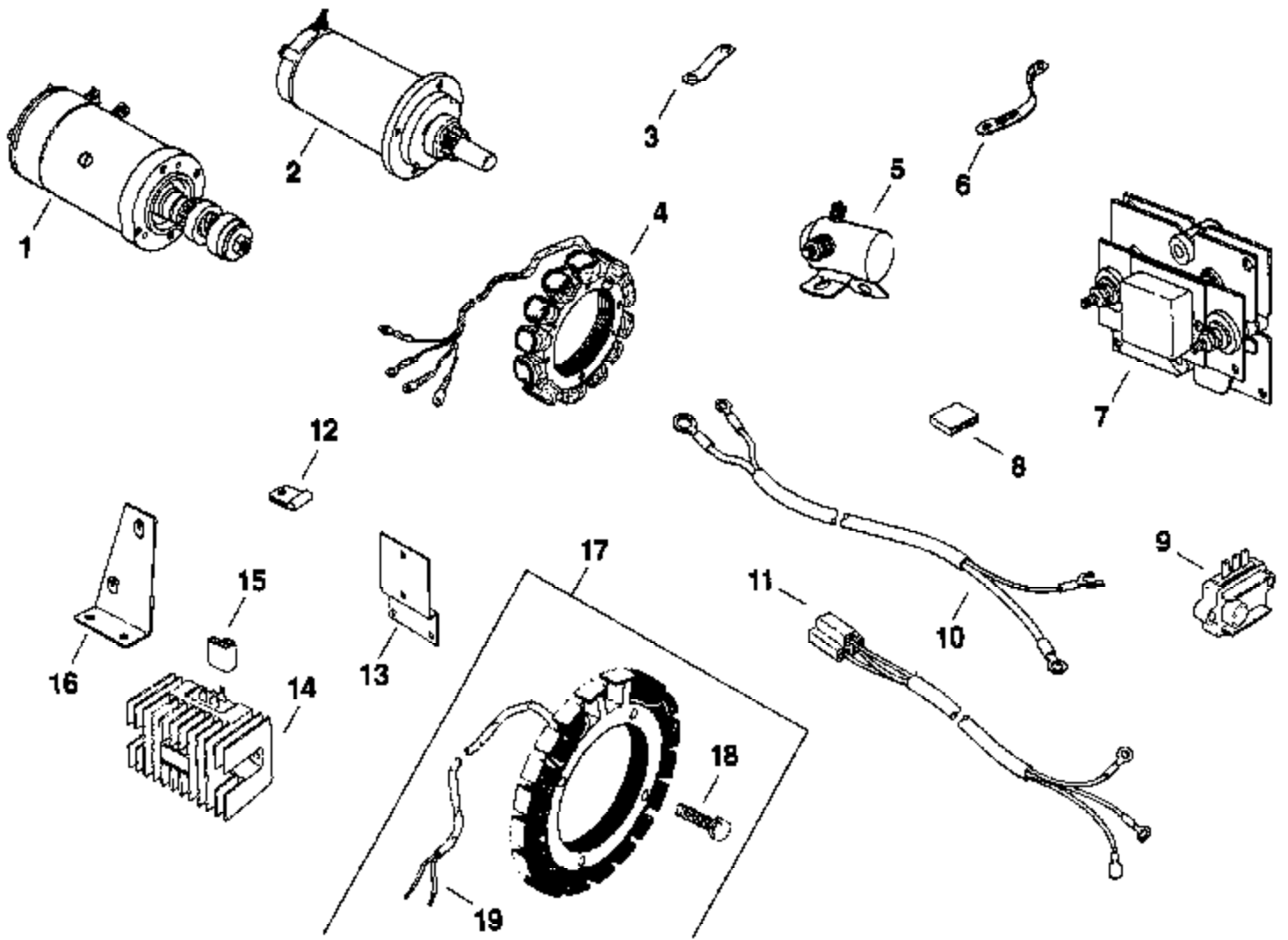


---

Ref #	Part Number	Qty	Description
2	48 538 01-S	1	Tube, dipstick 14-15/16"
3	48 272 02-S	1	Dipstick 15-3/4" blade

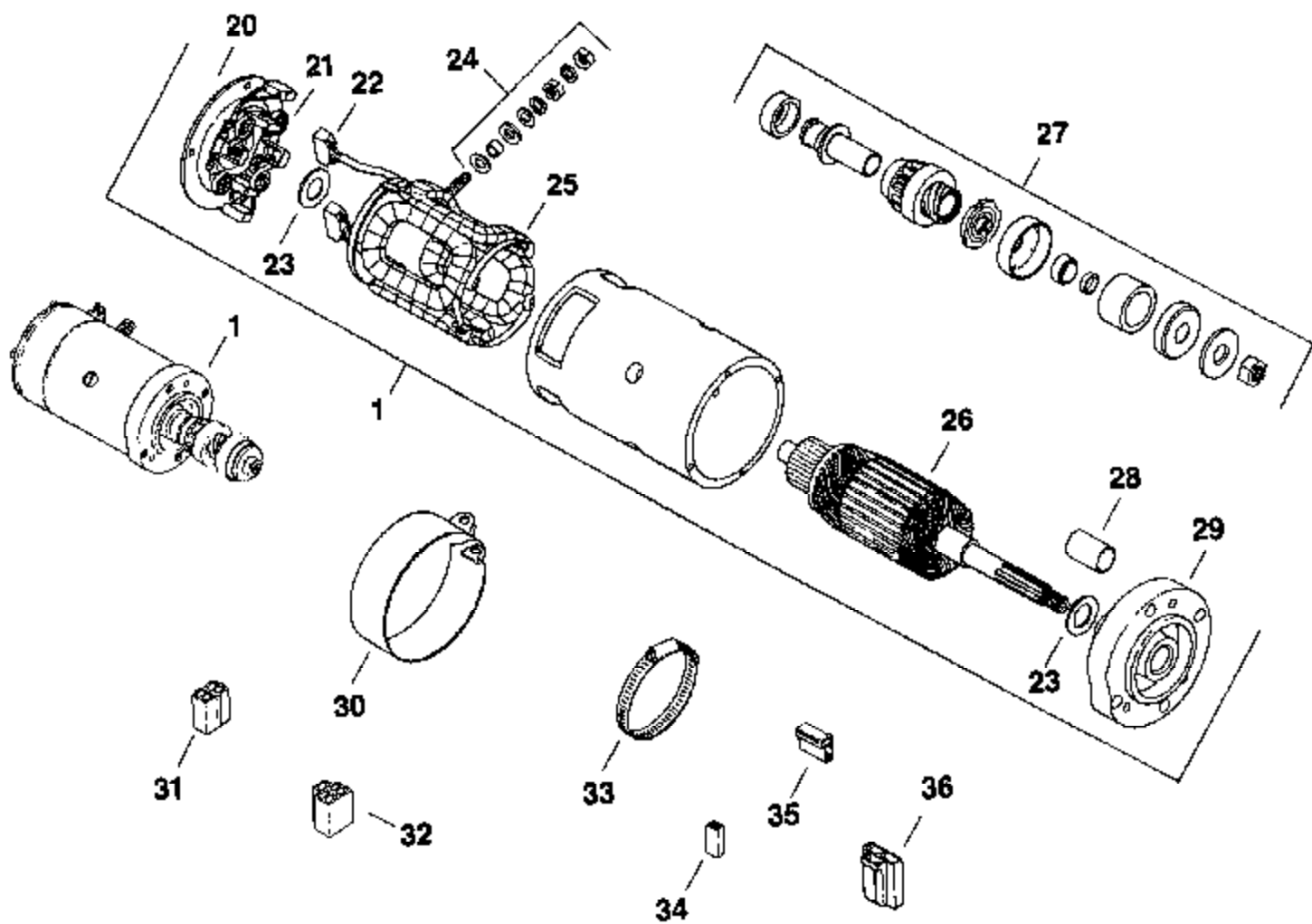
---

K532-53168 Page 20 of 48  
Dipstick



Ref #	Part Number	Qty	Description
1	A-277214-S	1	Starter - assembly (See Dipstick) Includes 20-30. Use before Serial No. 4216126. Discontinued not available at Kohler Co.. For complete starter replacement use Starter kit A-277214-S, before Serial No. 4216126. Use 48 098 02 after Serial No. 4216125
2	48 098 02	1	Starter - assembly (See Electric Start) Includes 37-43. Use after Serial No. 421625
8	236602-S	1	Connector
9	41 403 05	1	Rectifier-regulator (15 Amp) Replaced by 25 755 03-S
12	270154-S	2	Clip, cable (plastic coated)
17	237878-S	1	Kit, stator (15 Amp) Includes 18,19
18	X-67-51-S	1	Screw, Hex. Hd. #10 - 24 x 3/4
19	25 452 01-S	2	Terminal
	A-277214-S	1	Kit, starter assembly Use for complete starter replacement before Serial No. 4216126
	238056	1	Kit, low tension lead (20" - 6 gauge)
	238055	1	Kit, low tension lead (30" - 10 gauge) Discontinued not available at Kohler Co.
	238054	1	Kit, low tension lead (40" - 14 gauge) Discontinued not available at Kohler Co.
	238058-S	1	Kit low tension lead (25" - 16 gauge)
	238060	1	Kit, low tension lead (25" - 18 gauge) Discontinued not available at Kohler Co.

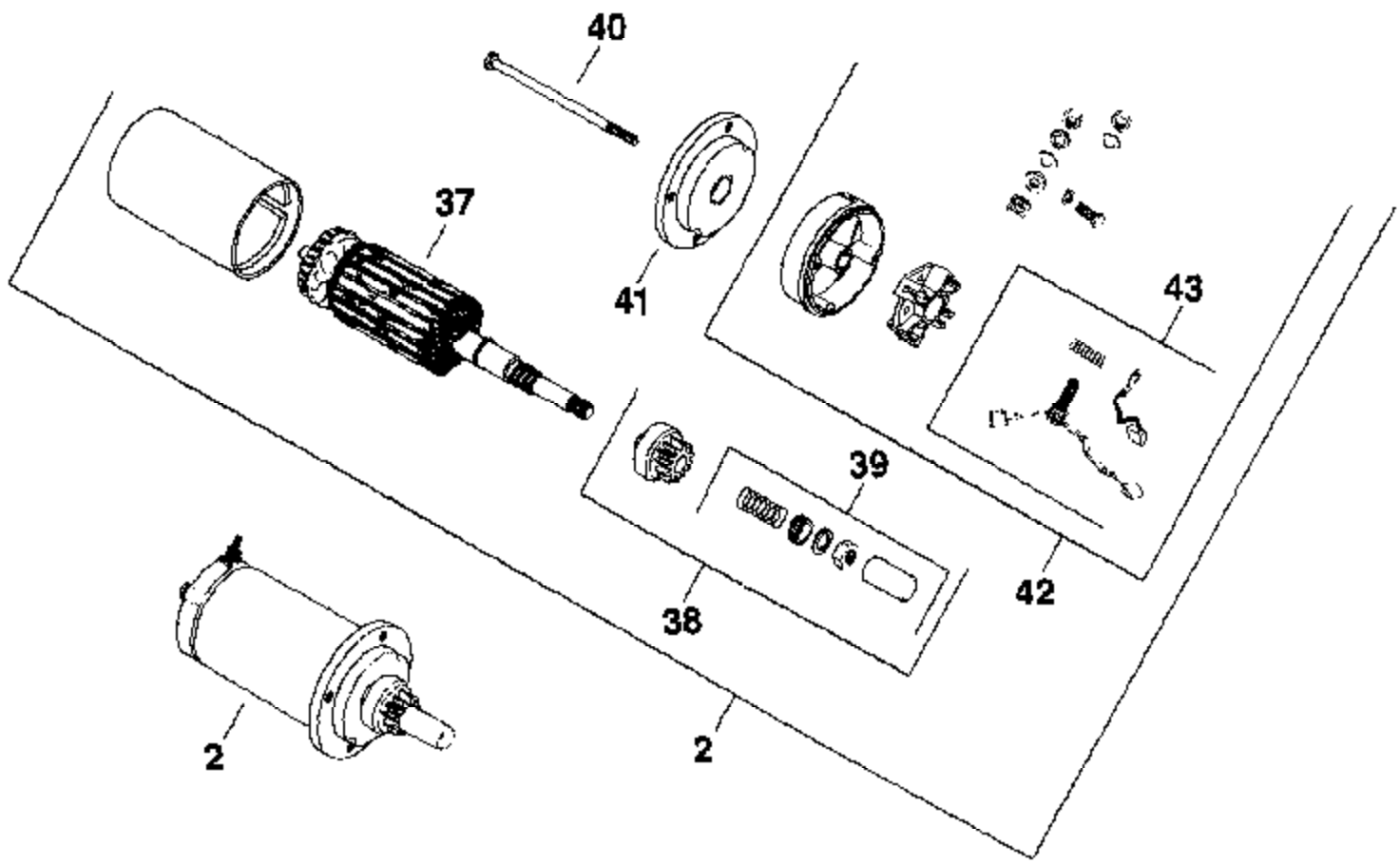
K532-53168 Page 22 of 48  
 Electric Start - Pg. 35



Ref #	Part Number	Qty	Description
1	A-277214-S	1	Starter - assembly (See Dipstick) Includes 20-30. Use before Serial No. 4216126. Discontinued not available at Kohler Co.. For complete starter replacement use Starter kit A-277214-S, before Serial No. 4216126. Use 48 098 02 after Serial No. 4216125
20	277158-S	1	Head C. E.
21	277160-S	1	Spring, brush - set
22	277170-S	1	Brush - set
23	277353	1	Washer, thrust - package Discontinued not available at Kohler Co.
24	277352	1	Stud, terminal - package Discontinued not available at Kohler Co.
25	277159-S	1	Coil, field - package
26	277350-S	1	Armature
27	277351	1	Drive, Bendix Replaced by A-277214-S
28	230626	1	Bearing, ABS bronze
29	277169	1	Head D. E. Discontinued not available at Kohler Co.
30	277156	1	Band, cover Discontinued not available at Kohler Co.
	A-277214-S	1	Kit, starter assembly Use for complete starter replacement before Serial No. 4216126
	238056	1	Kit, low tension lead (20" - 6 gauge)
	238055	1	Kit, low tension lead (30" - 10 gauge) Discontinued not available at Kohler Co.
	238054	1	Kit, low tension lead (40" - 14 gauge) Discontinued not available at Kohler Co.
	238058-S	1	Kit low tension lead (25" - 16 gauge)
	238060	1	Kit, low tension lead (25" - 18 gauge) Discontinued not available at Kohler Co.

K532-53168 Kohler Co.  
 Electric Start - Pg. 36  
 Page 24 of 48

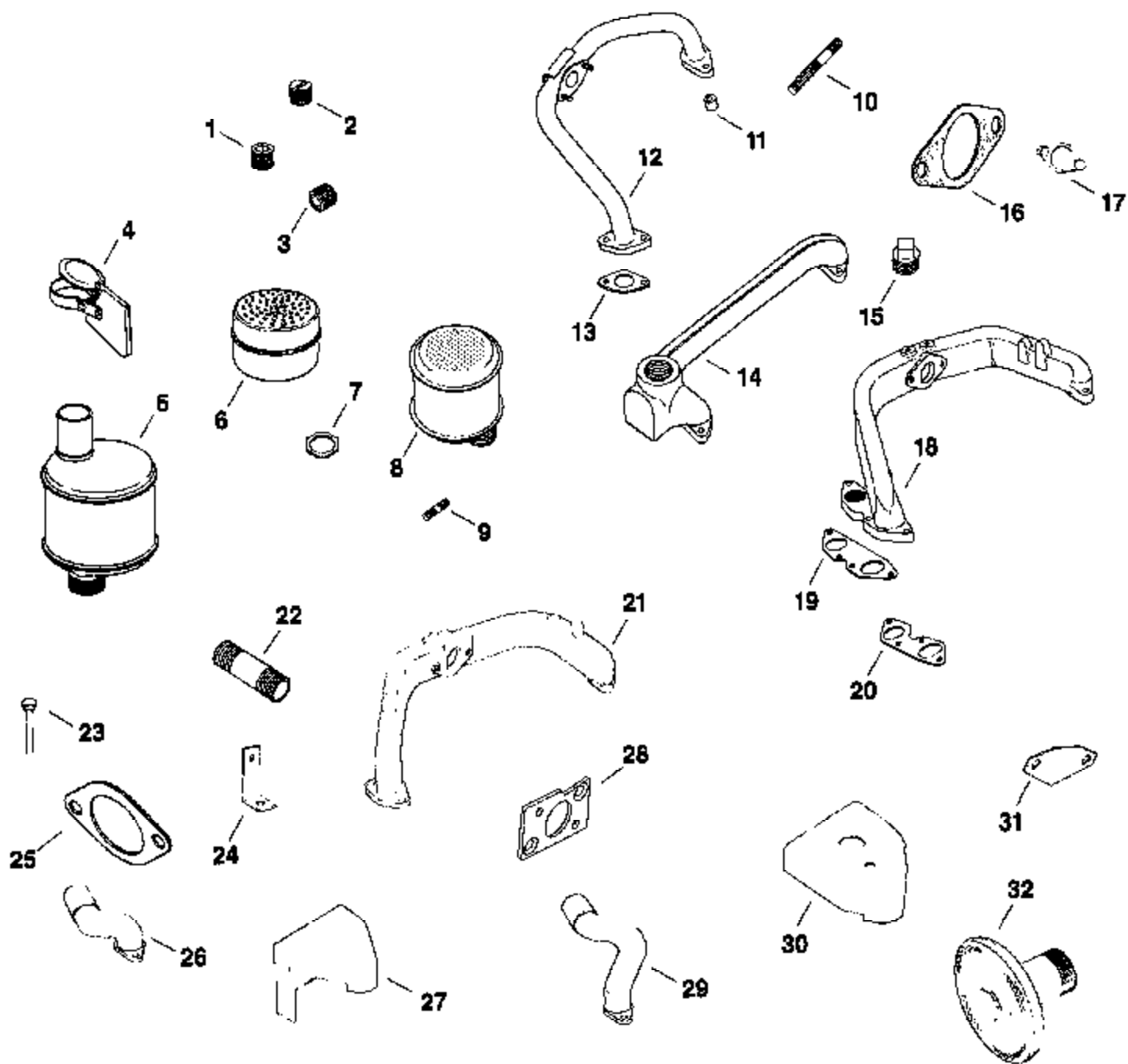




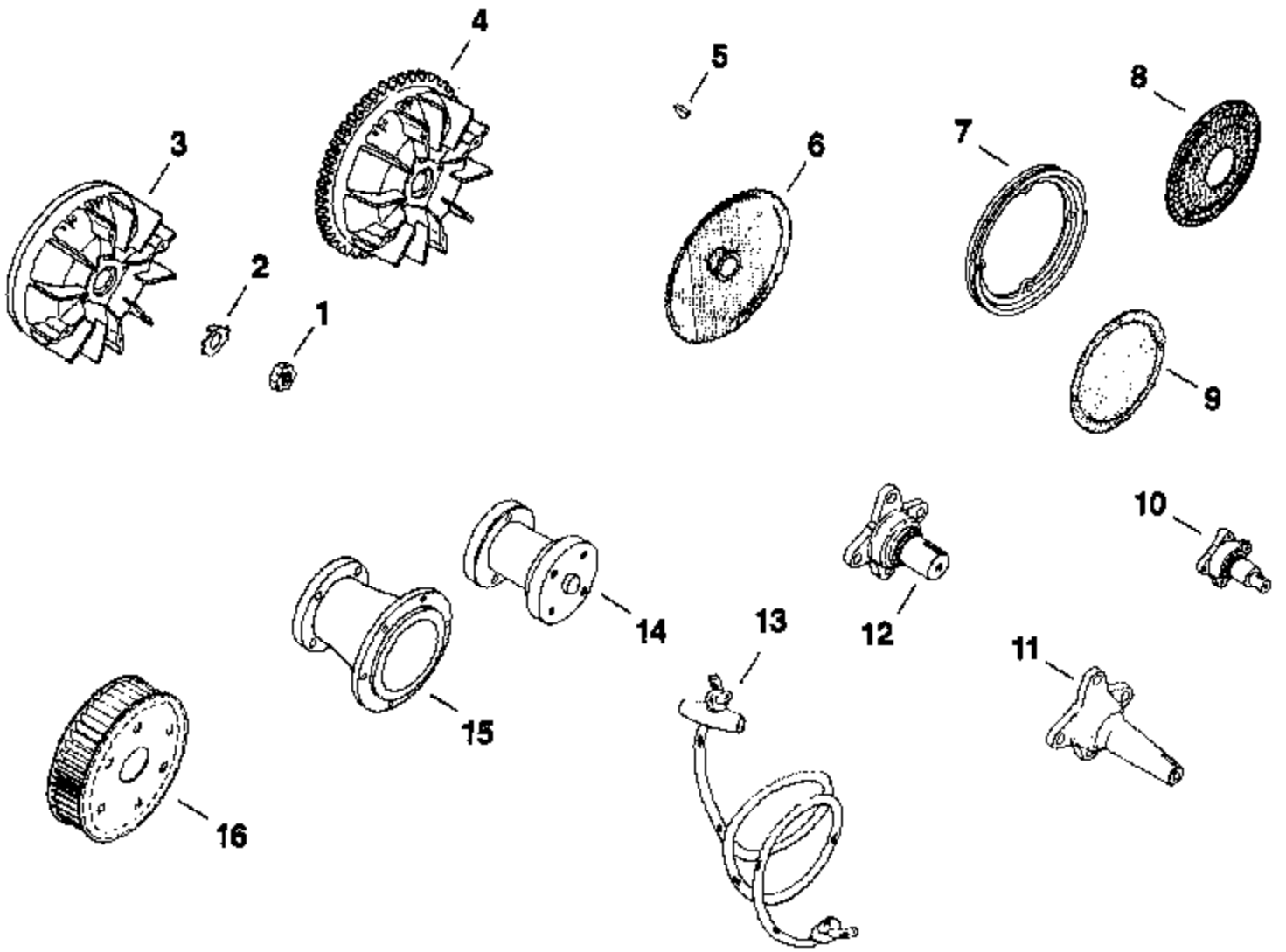
Ref #	Part Number	Qty	Description
2	48 098 02	1	Starter - assembly (See Electric Start) Includes 37-43. Use after Serial No. 421625
37	277605-S	1	Armature
38	48 755 02	1	Kit, drive Includes 39
39	48 755 13	1	Kit, drive parts
40	48 211 01-S	2	Bolt, thru
41	48 227 03-S	1	Cap, drive end
42	48 227 04	1	Cap, commutator end Includes 43
43	48 755 15	1	Kit, brush and spring Replaced by 52 755 15
	A-277214-S	1	Kit, starter assembly Use for complete starter replacement before Serial No. 4216126
	238056	1	Kit, low tension lead (20" - 6 gauge)
	238055	1	Kit, low tension lead (30" - 10 gauge) Discontinued not available at Kohler Co.
	238054	1	Kit, low tension lead (40" - 14 gauge) Discontinued not available at Kohler Co.
	238058-S	1	Kit low tension lead (25" - 16 gauge)
	238060	1	Kit, low tension lead (25" - 18 gauge) Discontinued not available at Kohler Co.

K532-53168, Page 26 of 48

Electric Start, Pg. 38



Ref #	Part Number	Qty	Description
10	232810-S	2	Stud
13	277091-S	2	Gasket, manifold
13	48 052 02-S	2	Gasket, manifold
21	48 164 03-S	1	Manifold, intake
24	47 445 02-S	2	Strap, lifting
26	48 054 05-S	1	Elbow, exhaust cylinder #2
27	48 096 02-S	1	Cover, exhaust elbow cylinder #2
29	48 054 04-S	1	Elbow, exhaust cylinder #1
30	48 096 01-S	1	Cover, exhaust elbow cylinder #1

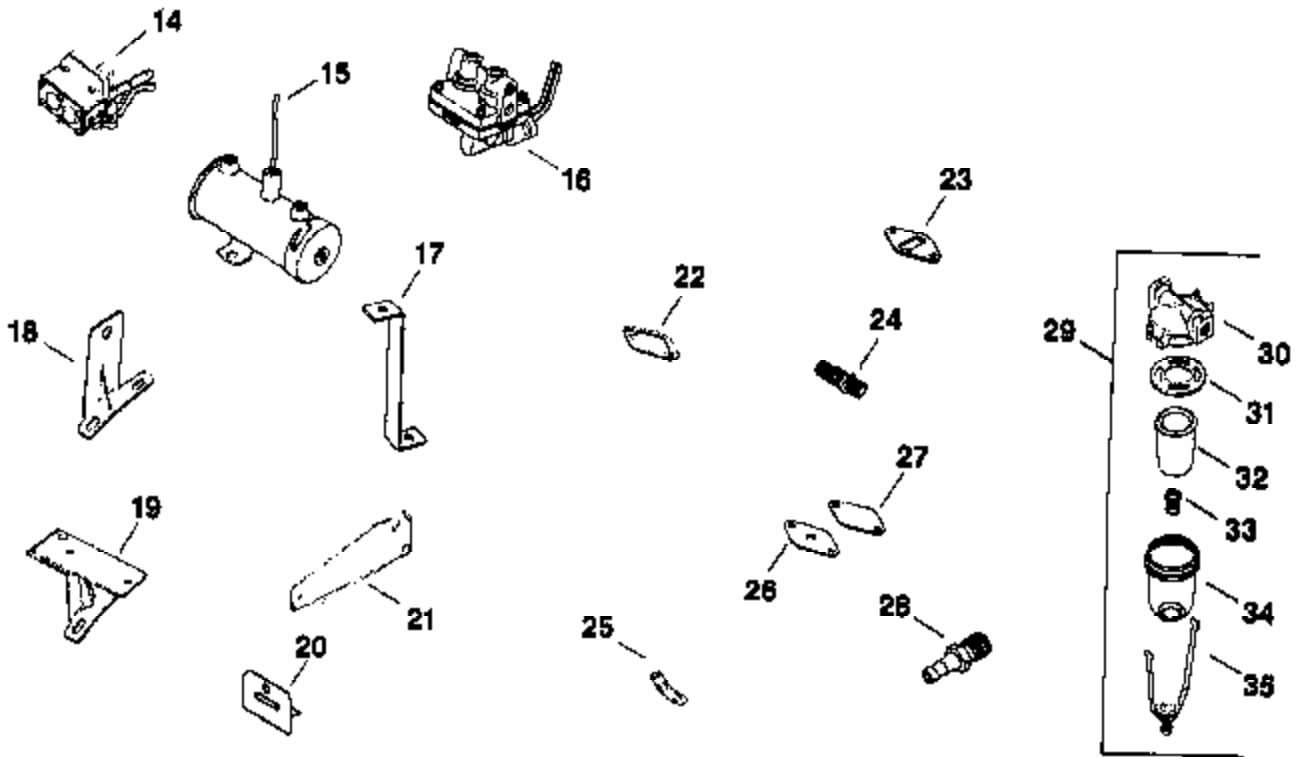
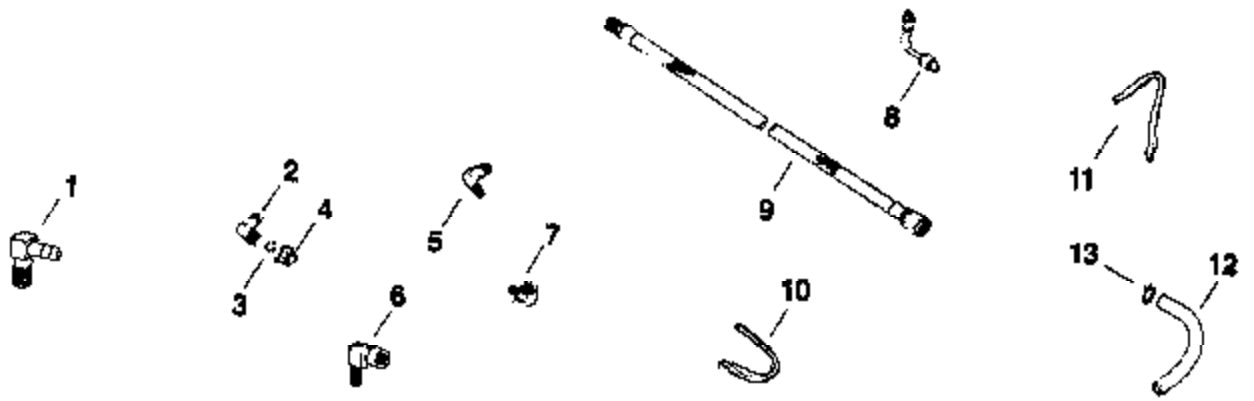


---

Ref #	Part Number	Qty	Description
1	X-80-1-S	1	Nut, flywheel
2	277595-S	1	Nut, lock
4	48 025 14-S	1	Flywheel - assembly
5	X-45-3-S	1	Key, woodruff #15
13	A-230099-S	1	Rope

---

K532-53168 Page 30 of 48  
Flywheel



---

Ref #	Part Number	Qty	Description
22	47 041 04	1	Gasket, fuel pump Replaced by 25 041 05
27	240282-S	1	Cover, pump

---

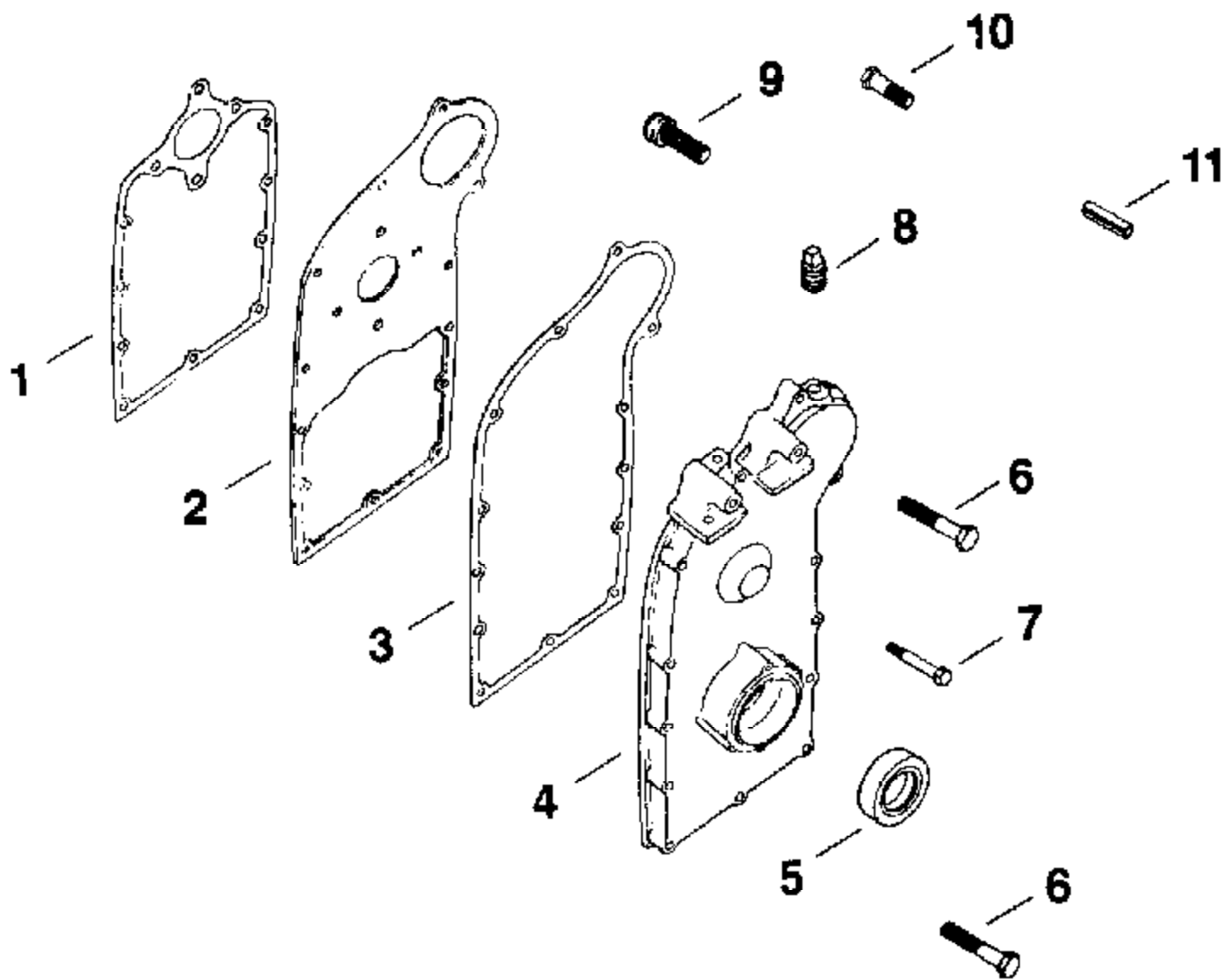
K532-53168 Page 32 of 48  
Fuel Pump



This group for this specification number does not currently have a supporting illustration.

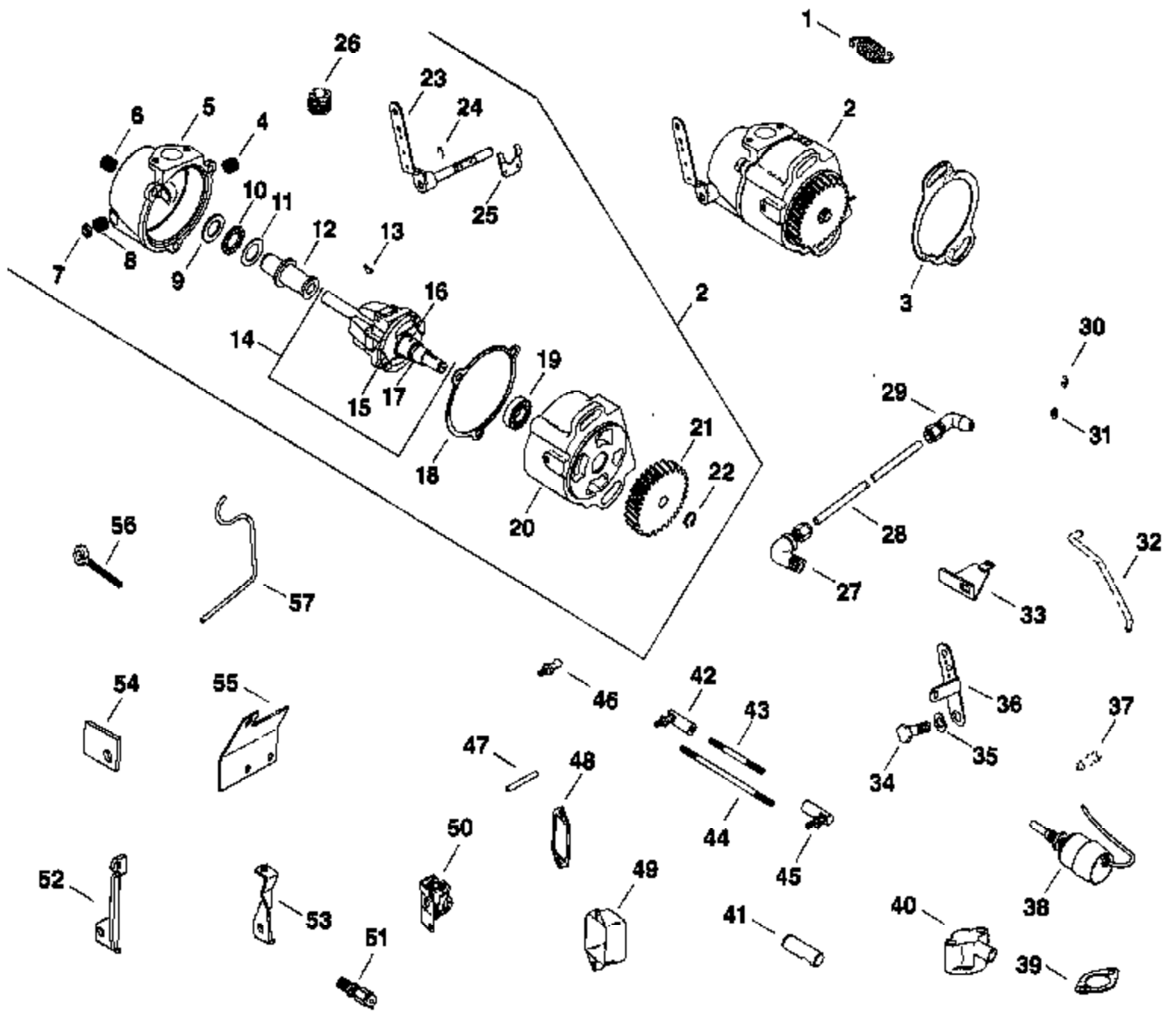
Ref #	Part Number	Qty	Description
	48 004 02		GASKET SET (w/out Seals)
	52 041 11-S		Gasket, breaker cover
	270034-S	2	Gasket, valve cover
	271030-S		Gasket, carburetor
	277014-S		Gasket, oil pan
	277020-S		Gasket, gear cover
	277022-S		Gasket, gear cover plate
	277073-S		Gasket, breather
	277078-S		Gasket, governor housing
	277087-S		Gasket, closure plate
	277093-S		Gasket, air cleaner
	277099-S		Gasket, governor
	277103-S	3	Gasket, closure plate .005
	277115-S	3	Gasket, closure plate .010
	277649-S		Gasket, insulator
	277091-S	2	Gasket, manifold
	48 041 11-S		Gasket, manifold
	25 041 05		Gasket, fuel pump
	48 041 03-S	2	Gasket, oil filter
	48 041 10	2	Gasket, cylinder head
	48 041 12-S	4	Gasket, manifold
	25 041 06-S		Gasket, air cleaner
	25 041 09-S		Gasket, fuel pump
	48 052 02-S		Gasket, manifold
	48 755 33-S		GASKET SET (w/Seals)
	52 032 08-S		Seal, front oil
	52 041 11-S		Gasket, breaker cover
	2770034	2	Gasket, valve cover
	271030-S		Gasket, carburetor
	277014-S		Gasket, oil pan
	277020-S		Gasket, gear cover
	277022-S		Gasket, gear cover plate
	277065-S		Seal, rear oil
	277073-S		Gasket, breather
	277078-S		Gasket, governor housing
	277087-S		Gasket, closure plate
	277091-S	4	Gasket, manifold
	277093-S		Gasket, air cleaner
	277099-S		Gasket, governor
	277103-S	3	Gasket, closure plate .005
	277115-S	3	Gasket, closure plate .010
	48 052 02-S	2	Gasket, manifold
	277649-S		Gasket, insulator
	48 041 11-S		Gasket, manifold
	48 041 12-S		Gasket, manifold
	25 041 05		Gasket, fuel pump
	48 041 03-S	2	Gasket, oil filter
	48 041 10	2	Gasket, cylinder head
	25 041 06-S		Gasket, air cleaner
	25 041 09-S		Gasket, fuel pump

K532-53168 Page 34 of 48  
Gasket,Set

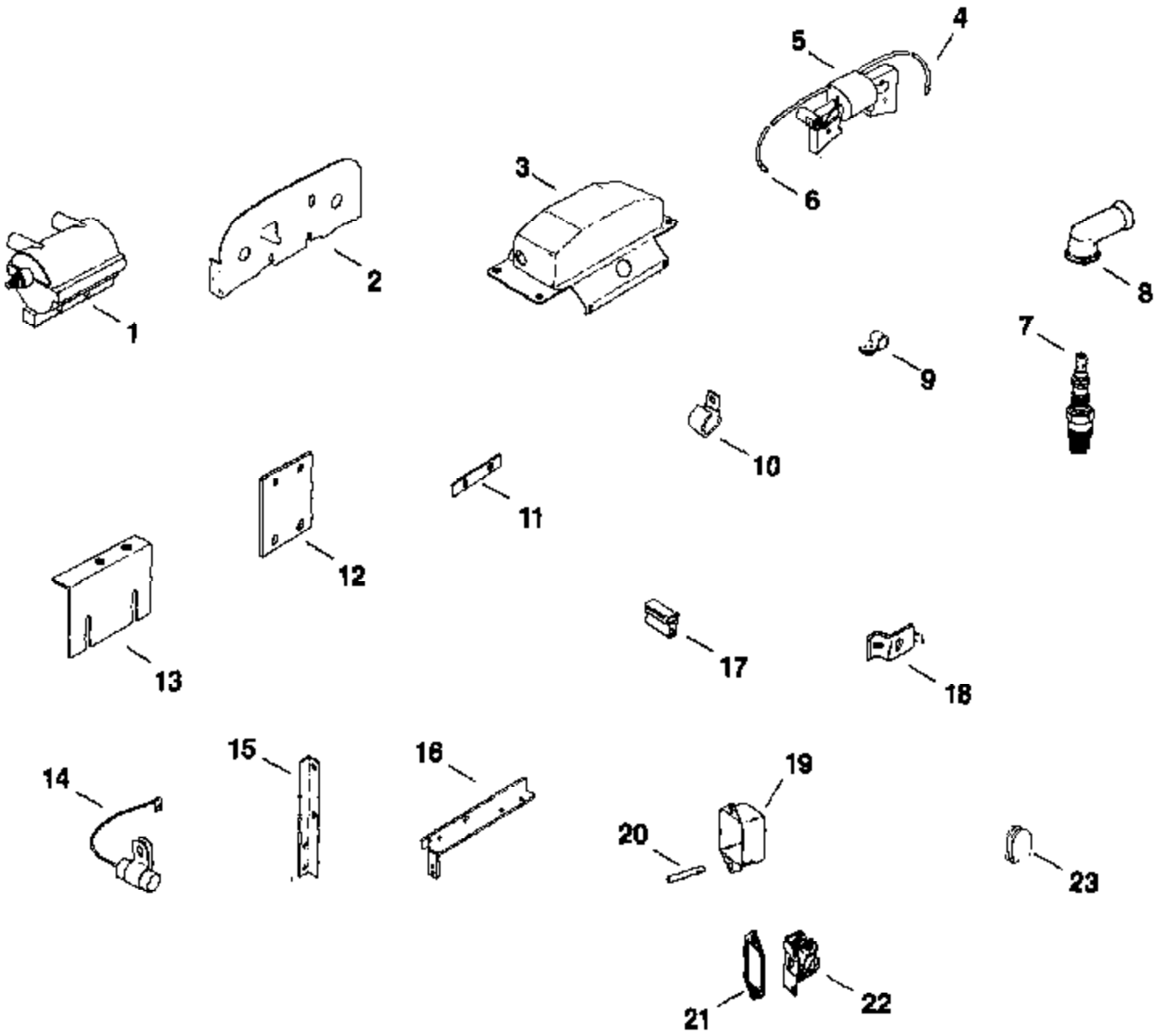


Ref #	Part Number	Qty	Description
1	277022-S	1	Gasket, gear cover plate
2	277021-S	1	Plate, gear cover
3	277020-S	1	Gasket, gear cover
4	277493-S	1	Cover, gear
5	52 032 08-S	1	Seal, front oil
6	X-6-22-S	7	Screw, hex. hd. 5/16 -18 x 1-3/4"
7	277086-S	2	Screw, hex. hd. 5/16 -18 x 1-3/4"
8	X-75-2-S	1	Plug, pipe
9	X-55-6-S	1	Screw, allen 5/16 -18 x 3/4"
10	X-6-11-S	4	Screw, hex. hd. 5/16 -18 x 3/4"

K532-53168 Page 36 of 48  
Gear Cover



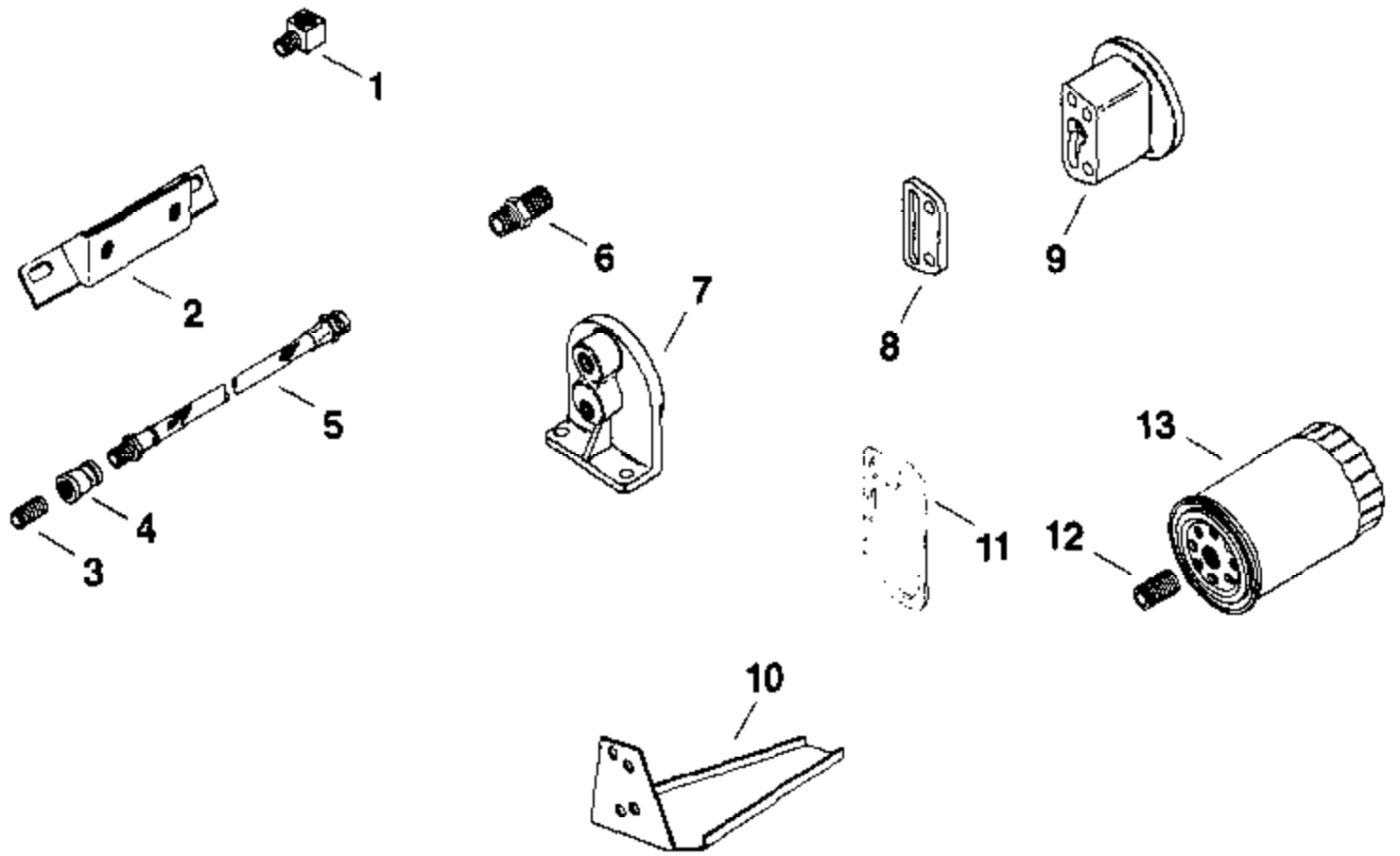
Ref #	Part Number	Qty	Description
1	271547-S	1	Spring, governor
2	48 310 28-S	1	Kit, governor - assembly Includes 4-26
3	277078-S	1	Gasket, governor housing
4	X-293-2-S	1	Bearing, needle
5	48 096 05-S	1	Cover, governor
6	48 030 02-S	1	Bearing, needle
7	275055-S	1	Seal, oil
8	X-293-3-S	1	Bearing, needle
9	277102-S	1	Race, thrust bearing
10	277100-S	1	Bearing, roller thrust
11	277101-S	1	Race, thrust bearing
12	48 755 01-S	1	Kit, governor sleeve
13	X-42-2-S	1	Key, woodruff
14	48 420 08-S	1	Shaft, governor assembly
15	48 089 01-S	2	Spring
16	48 149 04-S	1	Cam, breaker
17	X-269-4-S	1	Ring, retainer
18	277099-S	1	Gasket, governor cover
19	240202-S	1	Bearing, ball
20	48 081 02-S	1	Housing, governor
21	48 043 11-S	1	Gear, governor
22	X-269-15-S	1	Ring, retainer
23	48 087 03-S	1	Lever, governor
24	277104-S	1	Ring, retaining
25	48 471 02-S	1	Yoke, governor
26	X-75-23-S	1	Plug, allen hd. pipe 1/8
29	277337	1	Elbow Discontinued not available at Kohler Co.
34	275691-S	1	Screw, shoulder
35	277341-S	1	Washer, tension
36	48 090 02-S	1	Lever, throttle
37	48 755 10-S	1	Kit, clamp
38	45 435 02-S	1	Solenoid
39	277073-S	1	Gasket, breather
40	A-277905-S	1	Housing, breather Includes valve
41	45 208 03-S	1	Body, ball joint
43	271151-S	1	Rod, ball Joint
45	237130-S	1	Ball Joint
46	48 194 01-S	1	Ball joint
47	X-489-8-S	1	Rod, breaker push
48	52 041 11-S	1	Gasket, breaker cover
49	A-220136-S	1	Cover, breaker Discontinued not available at Kohler Co.
50	47 150 03-S	1	Breaker
51	X-343-S	1	Connector
55	48 126 05-S	1	Bracket, solenoid
57	48 353 05-S	1	Line, oil 7-1/2
	238056	1	Kit, low tension lead (20" - 6 gauge) Not Illustrated.
	238055	1	Kit, low tension lead (30" - 10 gauge) (Discontinued not available at Kohler Co.) Not Illustrated.
	238054	1	Kit, low tension lead (40" - 14 gauge) (Discontinued not available at Kohler Co.) Not Illustrated.
	238058-S	1	Kit, low tension lead (25" - 16 gauge) Not Illustrated.
	238060	1	Kit, low tension lead (25" - 18 gauge) Not Illustrated.



Ref #	Part Number	Qty	Description
1	277375-S	1	Coil
7	235041-S	2	Plug, spark
9	210281-S	2	Clip, cable (plastic coated)
11	271694-S	1	Plate, coil mounting
14	230722-S	1	Condenser
17	48 155 02-S	1	Connector
19	A-220136-S	1	Cover, breaker
20	X-489-8-S	1	Rod, breaker push
21	52 041 11-S	1	Gasket, breaker cover
22	47 150 03-S	1	Breaker - assembly
	238057-S	1	Kit, high tension lead
	220074-S	1	Diaphragm, breaker seal
	241390	1	Lead, high tension
	48 348 03-S	1	Lead, hi-tension
	48 348 04-S	1	Lead, hi-tension

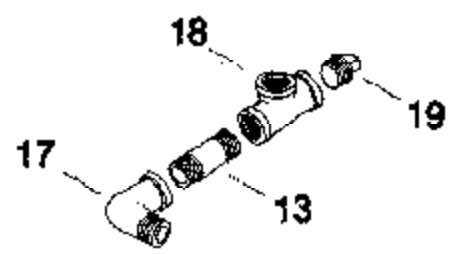
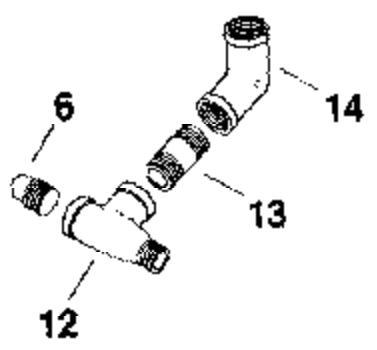
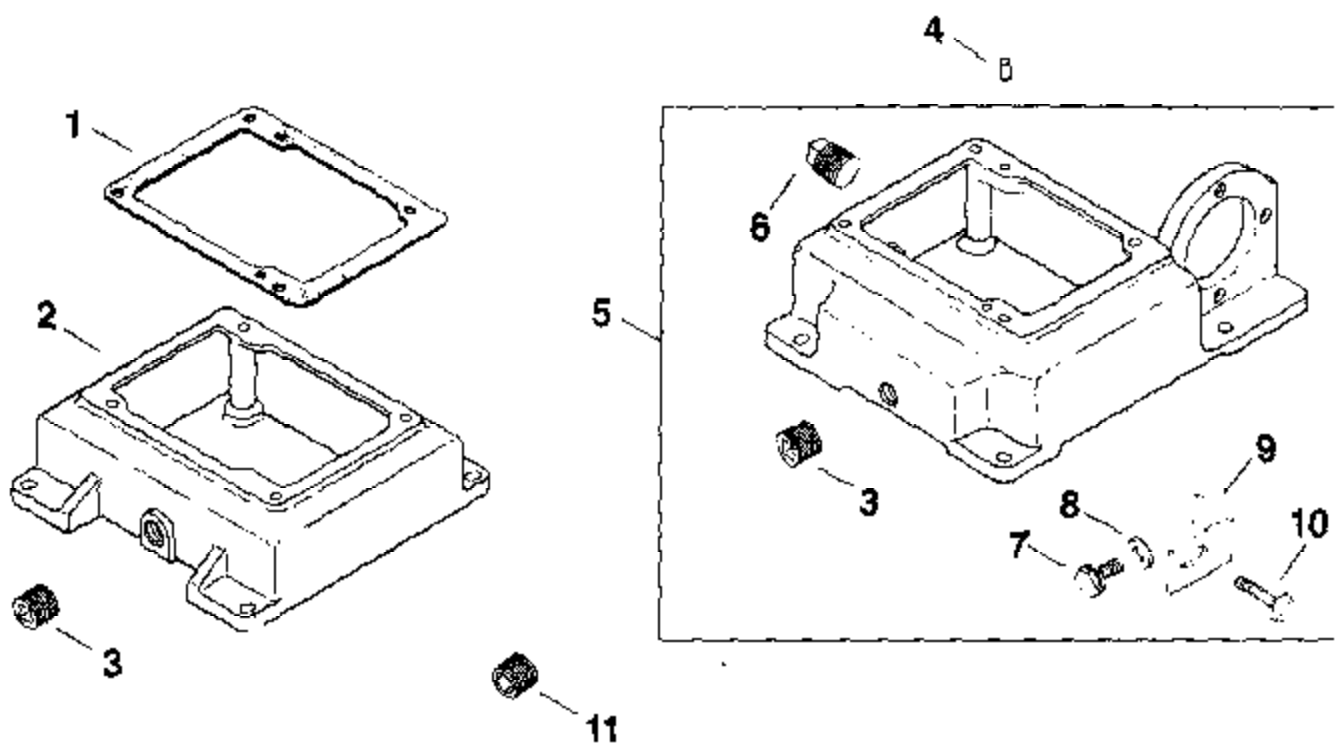
K532-53168 Page 40 of 48  
 Ignition Discontinued not available at Kohler Co.





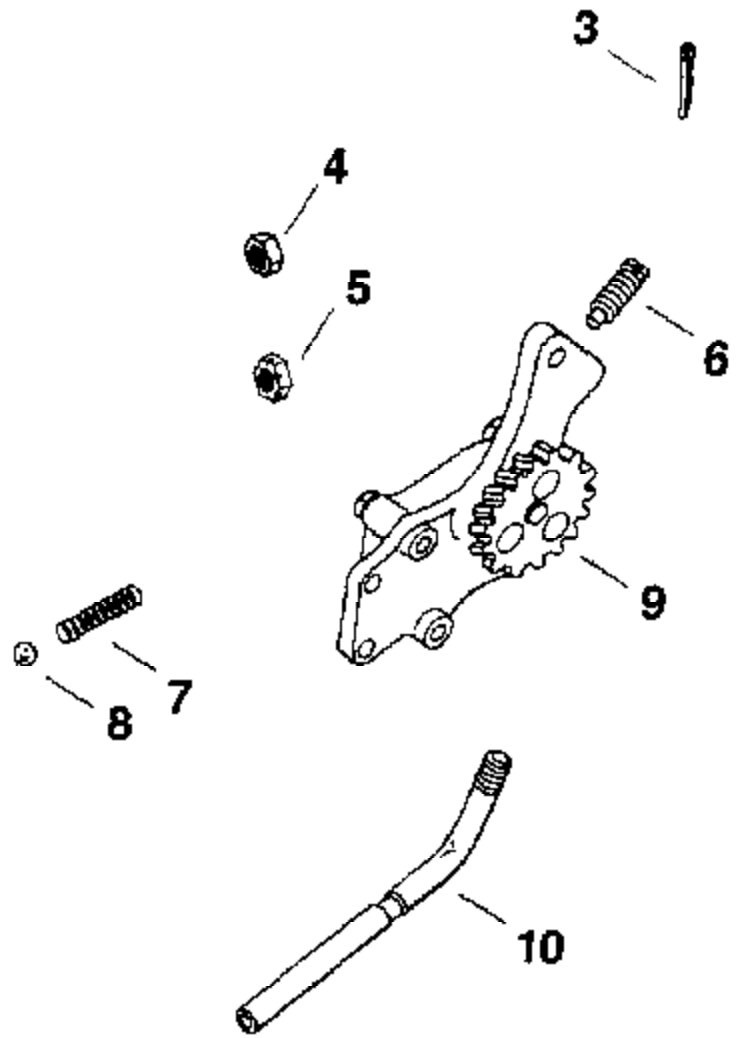
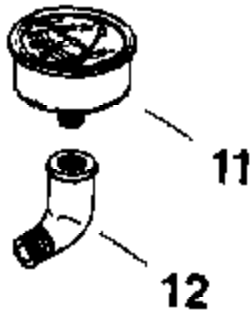
Ref #	Part Number	Qty	Description
9	277532	1	Adapter, filter Replaced by 48 029 02-S
11	277195	1	Gasket, oil filter adapter
12	277234-S	1	Nipple 1/2" I.D. x 3/4" O.D. x 1
13	277233-S	1	Filter, oil

K532-53168 Page 42 of 48  
Oil Filter



Ref #	Part Number	Qty	Description
1	277014-S	1	Gasket, oil pan
4	230125-S	2	Pin, dowel
5	48 755 17-S	1	Kit, oil pan (Side drain) Includes 3,6-10
6	X-75-6-S	1	Plug, pipe
6	X-75-28-S	1	Plug, pipe
7	X-154-6-S	1	Screw, H.C. 5/16-18 x 1/2"
8	X-25-44-S	1	Washer, plain 5/16"
9	48 126 08-S	1	Bracket, starter support
10	X-67-62-S	1	Screw, 1/4-20 x 3/4"

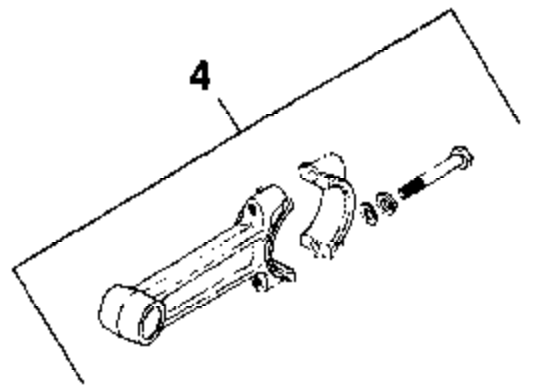
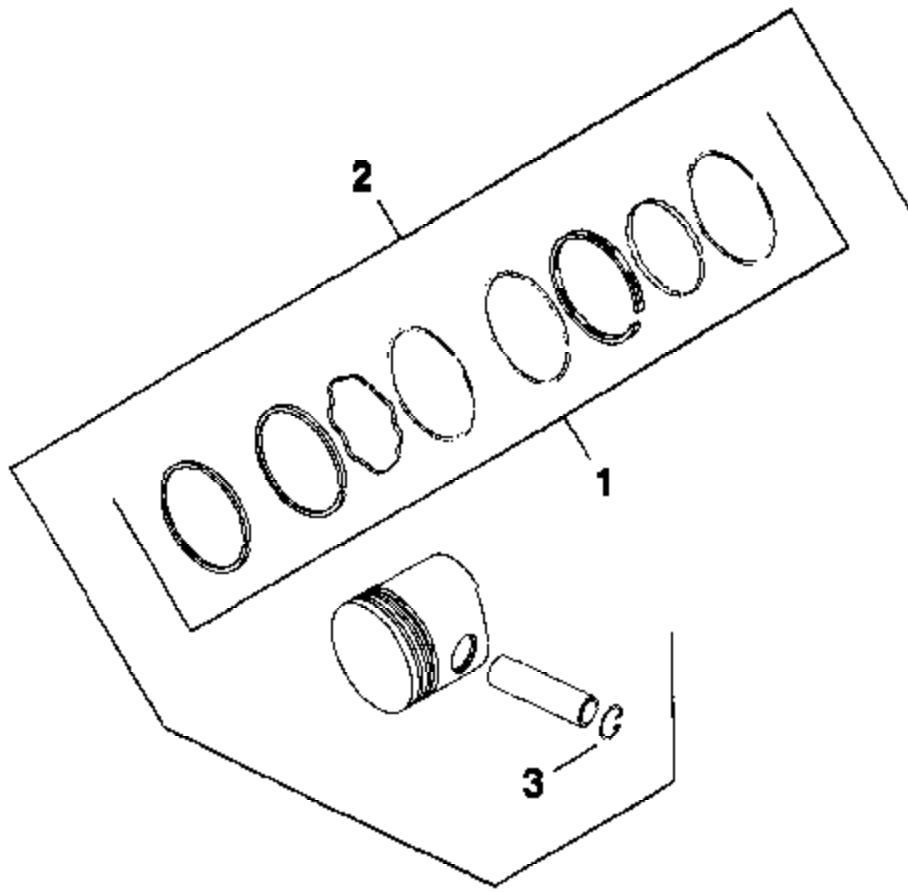
K532-53168 Page 44 of 48  
Oil Pan



---

Ref #	Part Number	Qty	Description
1	270085-S	1	Clip, oil tube
2	277202-S	1	Strainer, oil
3	X-36-6	1	Pin, cotter 1/16 x 3/4" Discontinued not available at Kohler Co.
7	48 089 03-S	1	Spring, relief valve
8	X-212-3-S	1	Ball, steel

K532-53168 Page 46 of 48  
Oil Pump



Ref #	Part Number	Qty	Description
1	48 108 01-S	2	Ring Set (Std. & .003) MODEL K582
1	48 108 02-S	2	Ring Set (.010) MODEL K582
1	48 108 03-S	2	Ring Set (.020) MODEL K582
1	48 108 04-S	2	Ring Set (.030) MODEL K582
2	48 874 01-S	2	Piston w/Ring Set (Std.) MODEL K532
2	48 874 02-S	2	Piston w/Ring Set (.003) MODEL K532
2	48 874 03-S	2	Piston w/Ring Set (.010) MODEL K532
2	48 874 04-S	2	Piston w/Ring Set (.020) MODEL K532
2	48 874 05-S	2	Piston w/Ring Set (.030) MODEL K532
3	47 018 01-S	4	Retainer, piston pin MODEL K532
4	48 067 12-S	2	Connecting Rod (Std.) MODEL K532
4	48 067 13-S	2	Connecting Rod (.010 U.S.) MODEL K532

K532-53168 Page 48 of 48  
Piston & Rod