

KOHLERengines

PARTS MANUAL

K482-18HP

SPECS 35107-35244

K532-20HP

SPECS 53100-53186



KSERIES

HOW TO FIND PART NUMBERS

Index Number	Description	Part Number	Index Number	Description	Part Number
1	Cleaner, air - assembly (includes 2, 3, 4) (Replaced by 45 045 02) (Replaced by 45 045 03)	A-275730	10	Cap	23
2	Nut, wing 1/4 - 20" 5.6, 7, 9, 12, 14, 17, 21, 22, 23, 25, 27, 28, 31, 33, 600	X-276-7	11	Elb.	21
3	Cover, air cleaner (Discontinued not available at Kohler Co.)	237705	12	Base, air cleaner	45 201 02
4	Element, air cleaner	267502	13	Tube, air cleaner	41 134 01
5	Base, air cleaner (Discontinued not available at Kohler Co.) (Replaced by 45 045 02) (Replaced by 45 045 03)	267620	14	Seal, cover	47 632 03
6	Cleaner, air (Discontinued not available at Kohler Co.)	A-271645	15	Elbow, air cleaner (Discontinued not available at Kohler Co.)	277700
7	Cleaner, air	151834	16	Elbow, air cleaner	277455
8	Stud, Cleaner	222014	17	Elbow, air cleaner	277319
9			18	Elbow, air cleaner (Discontinued not available at Kohler Co.)	277316
			19	Elbow, air cleaner	277595
			20	Cover, air cleaner	277142
			21	Cover, air cleaner	45 045 01

7 Cleaner, air 7 151834

1. Turn the page of the parts manual to the "Composite Exploded View." Notice the boxed groupings identified by their function along with a corresponding number. The group function and number applies to all engine models. For example:

Function (Group Description)	Group Number
Air Intake	1
Baffles & Shroud	2
Breather & Vent	3
Camshaft & Valves	4
Carburetor	5
Electric Starter	11
Ignition	18

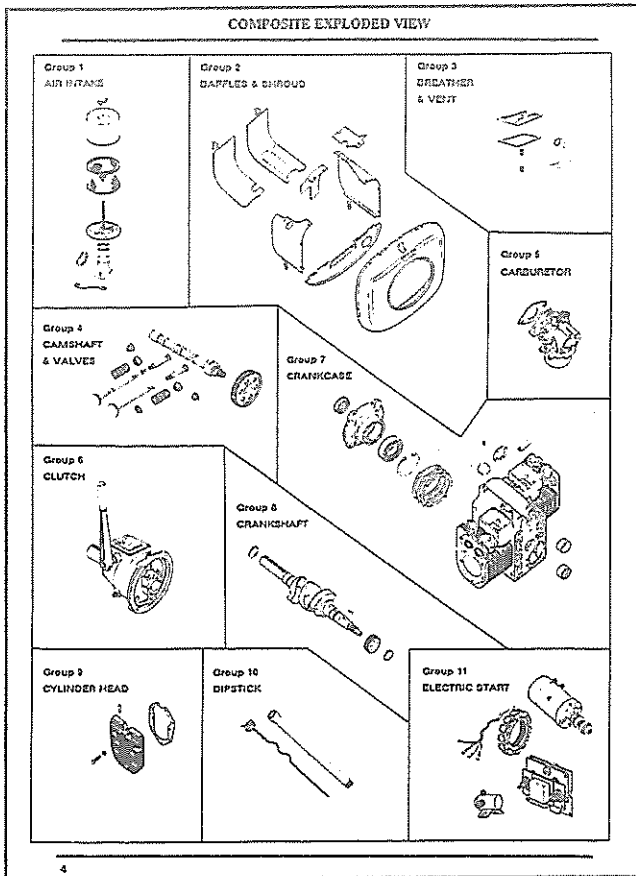
etc.

Remember the Group Number in which you located your part. (If the part you need is not illustrated, locate a major engine function related to your part and use that Group Number.)

Example: You need an air cleaner cover for K482, specification 35109. The air cleaner is found in Group 1.

Group Title & Number		SPECIFICATION INDEX																Group Title & Number	Page No.
		AIR INTAKE		BYPASS & SHROUD		BYPASS & VALVE		BYPASS & VALVE		BYPASS & VALVE		CYLINDER HEAD		OIL FILTER		OIL PRESS. CUTOUT			
		1	2	3	4	5	6	7	8	9	10	11	12	13	14	15	16		
AIR INTAKE		16	18	20	21	22	23	24	25	26	27	28	29	30	31	32			
		01	03	05	07	09	11	13	15	17	19	21	23	25	27	29			
		Spec. No.																	
		35107		6	3	4	4	1	10	8	4	4	4	4	4	4	4	4	
35109		6	3	4	4	1	10	8	4	4	4	4	4	4	4	4			
35113		6	3	4	4	1	10	8	4	4	4	4	4	4	4	4			
35115		6	3	4	4	1	10	8	4	4	4	4	4	4	4	4			
35119		6	3	4	4	1	10	8	4	4	4	4	4	4	4	4			
35120		6	3	4	4	1	10	8	4	4	4	4	4	4	4	4			
35121		6	3	4	4	1	10	8	4	4	4	4	4	4	4	4			
35122		6	3	4	4	1	10	8	4	4	4	4	4	4	4	4			
35123		6	3	4	4	1	10	8	4	4	4	4	4	4	4	4			
35124		6	3	4	4	1	10	8	4	4	4	4	4	4	4	4			
35125		6	3	4	4	1	10	8	4	4	4	4	4	4	4	4			
35126		6	3	4	4	1	10	8	4	4	4	4	4	4	4	4			
35127		6	3	4	4	1	10	8	4	4	4	4	4	4	4	4			
35128		6	3	4	4	1	10	8	4	4	4	4	4	4	4	4			
35129		6	3	4	4	1	10	8	4	4	4	4	4	4	4	4			
35130		6	3	4	4	1	10	8	4	4	4	4	4	4	4	4			
35131		6	3	4	4	1	10	8	4	4	4	4	4	4	4	4			
35132		6	3	4	4	1	10	8	4	4	4	4	4	4	4	4			
35133		6	3	4	4	1	10	8	4	4	4	4	4	4	4	4			
35134		6	3	4	4	1	10	8	4	4	4	4	4	4	4	4			
35135		6	3	4	4	1	10	8	4	4	4	4	4	4	4	4			
35136		6	3	4	4	1	10	8	4	4	4	4	4	4	4	4			
35137		6	3	4	4	1	10	8	4	4	4	4	4	4	4	4			
35138		6	3	4	4	1	10	8	4	4	4	4	4	4	4	4			
35139		6	3	4	4	1	10	8	4	4	4	4	4	4	4	4			
35140		6	3	4	4	1	10	8	4	4	4	4	4	4	4	4			
35141		6	3	4	4	1	10	8	4	4	4	4	4	4	4	4			
35142		6	3	4	4	1	10	8	4	4	4	4	4	4	4	4			
35143		6	3	4	4	1	10	8	4	4	4	4	4	4	4	4			
35144		6	3	4	4	1	10	8	4	4	4	4	4	4	4	4			
35145		6	3	4	4	1	10	8	4	4	4	4	4	4	4	4			
35146		6	3	4	4	1	10	8	4	4	4	4	4	4	4	4			
35147		6	3	4	4	1	10	8	4	4	4	4	4	4	4	4			
35148		6	3	4	4	1	10	8	4	4	4	4	4	4	4	4			
35149		6	3	4	4	1	10	8	4	4	4	4	4	4	4	4			
35150		6	3	4	4	1	10	8	4	4	4	4	4	4	4	4			
35151		6	3	4	4	1	10	8	4	4	4	4	4	4	4	4			
35152		6	3	4	4	1	10	8	4	4	4	4	4	4	4	4			
35153		6	3	4	4	1	10	8	4	4	4	4	4	4	4	4			
35154		6	3	4	4	1	10	8	4	4	4	4	4	4	4	4			
35155		6	3	4	4	1	10	8	4	4	4	4	4	4	4	4			
35156		6	3	4	4	1	10	8	4	4	4	4	4	4	4	4			
35157		6	3	4	4	1	10	8	4	4	4	4	4	4	4	4			
35158		6	3	4	4	1	10	8	4	4	4	4	4	4	4	4			
35159		6	3	4	4	1	10	8	4	4	4	4	4	4	4	4			
35160		6	3	4	4	1	10	8	4	4	4	4	4	4	4	4			
35161		6	3	4	4	1	10	8	4	4	4	4	4	4	4	4			
35162		6	3	4	4	1	10	8	4	4	4	4	4	4	4	4			
35163		6	3	4	4	1	10	8	4	4	4	4	4	4	4	4			
35164		6	3	4	4	1	10	8	4	4	4	4	4	4	4	4			
35165		6	3	4	4	1	10	8	4	4	4	4	4	4	4	4			
35166		6	3	4	4	1	10	8	4	4	4	4	4	4	4	4			
35167		6	3	4	4	1	10	8	4	4	4	4	4	4	4	4			
35168		6	3	4	4	1	10	8	4	4	4	4	4	4	4	4			
35169		6	3	4	4	1	10	8	4	4	4	4	4	4	4	4			
35170		6	3	4	4	1	10	8	4	4	4	4	4	4	4	4			
35171		6	3	4	4	1	10	8	4	4	4	4	4	4	4	4			
35172		6	3	4	4	1	10	8	4	4	4	4	4	4	4	4			
35173		6	3	4	4	1	10	8	4	4	4	4	4	4	4	4			
35174		6	3	4	4	1	10	8	4	4	4	4	4	4	4	4			
35175		6	3	4	4	1	10	8	4	4	4	4	4	4	4	4			
35176		6	3	4	4	1	10	8	4	4	4	4	4	4	4	4			
35177		6	3	4	4	1	10	8	4	4	4	4	4	4	4	4			
35178		6	3	4	4	1	10	8	4	4	4	4	4	4	4	4			
35179		6	3	4	4	1	10	8	4	4	4	4	4	4	4	4			
35180		6	3	4	4	1	10	8	4	4	4	4	4	4	4	4			
35181		6	3	4	4	1	10	8	4	4	4	4	4	4	4	4			
35182		6	3	4	4	1	10	8	4	4	4	4	4	4	4	4			
35183		6	3	4	4	1	10	8	4	4	4	4	4	4	4	4			
35184		6	3	4	4	1	10	8	4	4	4	4	4	4	4	4			
35185		6	3	4	4	1	10	8	4	4	4	4	4	4	4	4			
35186		6	3	4	4	1	10	8	4	4	4	4	4	4	4	4			
35187		6	3	4	4	1	10	8	4	4	4	4	4	4	4	4			
35188		6	3	4	4	1	10	8	4	4	4	4	4	4	4	4			
35189		6	3	4	4	1	10	8	4	4	4	4	4	4	4	4			
35190		6	3	4	4	1	10	8	4	4	4	4	4	4	4	4			
35191		6	3	4	4	1	10	8	4	4	4	4	4	4	4	4			
35192		6	3	4	4	1	10	8	4	4	4	4	4	4	4	4			
35193		6	3	4	4	1	10	8	4	4	4	4	4	4	4	4			
35194		6	3	4	4	1	10	8	4	4	4	4	4	4	4	4			
35195		6	3	4	4	1	10	8	4	4	4	4	4	4	4	4			
35196		6	3	4	4	1	10	8	4	4	4	4	4	4	4	4			
35197		6	3	4	4	1	10	8	4	4	4	4	4	4	4	4			
35198		6	3	4	4	1	10	8	4	4	4	4	4	4	4	4			
35199		6	3	4	4	1	10	8	4	4	4	4	4	4	4	4			
35200		6	3	4	4	1	10	8	4	4	4	4	4	4	4	4			
35201		6	3	4	4	1	10	8	4	4	4	4	4	4	4	4			
35202		6	3	4	4	1	10	8	4	4	4	4	4	4	4	4			
35203		6	3	4	4	1	10	8	4	4	4	4	4	4	4	4			
35204		6	3	4	4	1	10	8	4	4	4	4	4	4	4	4			
35205		6	3	4	4	1	10	8	4	4	4	4	4	4	4	4			
35206		6	3	4	4	1	10	8	4	4	4	4	4	4	4	4			
35207		6	3	4	4	1	10	8	4	4	4	4	4	4	4	4			
35208		6	3	4	4	1	10	8	4	4	4	4	4	4	4	4			
35209		6	3	4	4	1	10	8	4	4	4	4	4	4	4	4			
35210		6	3	4	4	1	10	8	4	4	4	4	4	4	4	4			
35211		6	3	4	4														

HOW TO FIND PART NUMBERS



3. Go to the page for your Group (page 16) and look at the illustrations to find the one most similar to the original part.

A. Each part in the illustration is identified with an index number or letter. Use that identifier to locate the part description in the listing.

B. Find your "Variation Number", from Step 2, immediately below the description.

C. The correct part number will be in the column to the right of your variation number.

For our example, the air cleaner cover that looks like the original is index number 7. Looking in the listing next to index 7, we find our Variation Number (7), is shown, so the correct part number is 151834.

Special Features

Near the end of the Parts Manual Binder is a separate section devoted to repair options for major damage. "Selection Guides" for each model engine give several different methods of repairing Kohler Engines . . . with the choice dependent on shop facilities, costs, and allowable downtime of the engine and/or equipment.

Selection guides are easy references for determining part numbers of Replacement Engines or Short Blocks. They also list part numbers of crankshafts installed in original engines.

Here is what you'll find:

A. Engine model is identified on each page for easy reference;

B. Bold column heads identify the various repower options for every engine spec;

C. All crankshaft changes required for Replacement Engines are flagged with "Yes;"

D. Replacement Engines and Short Blocks.

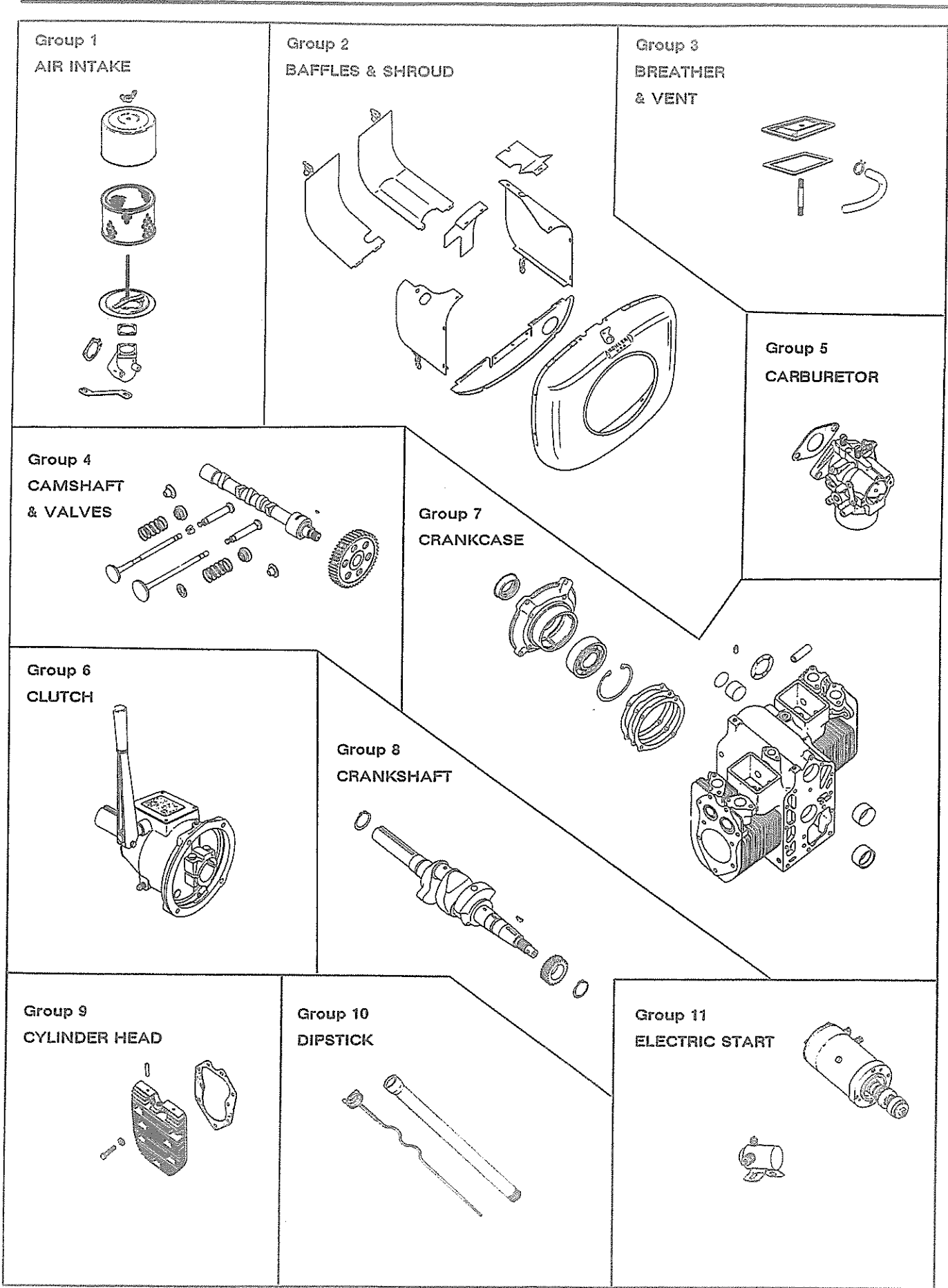
K482,532						
K482 ENGINE SPECIFICATIONS						
Engine Spec No.	Replac. Short Block	Engine Spec No.	Replac. Short Block			
35211	48 522 02	35231	48 522 05			
35212	48 522 05	35232	48 522 08			
35213	48 522 08	35233	48 522 12			
35214	48 522 08	35234	48 522 05			
35215	48 522 08	35235	48 522 05			
35216	48 522 05	35235	48 522 05			
35217	48 522 08	35237	48 522 05			
35218	48 522 09	35238	48 522 05			
35219	48 522 12	35239	--			
35220	--	35240	48 522 05			
35221	48 522 12	35241	48 522 05			
35222	48 522 11	35242	48 522 05			
35223	48 522 08	35243	48 522 05			
35224	48 522 08	35244	48 522 05			
35225	48 522 12	35245	48 522 05			
35226	48 522 09	35246	48 522 05			
35227	48 522 05	35248	48 522 05			
35228	48 522 05	35249	48 522 05			
35229	--	35249	48 522 05			
35230	48 522 05	35249	48 522 05			

NOTE: K482 engines are serviced with K532 short blocks. For future ordering of replacement pistons, rings, connecting rods, crank-case assembly, rear closure plate, crankshaft or exhaust valves use the short block number and the parts listing on pages 6-7. Order all other parts using your K482 spec. no. and the parts manual. Fill in the decal included with the short block and install it below the nameplate on the engine blower housing.

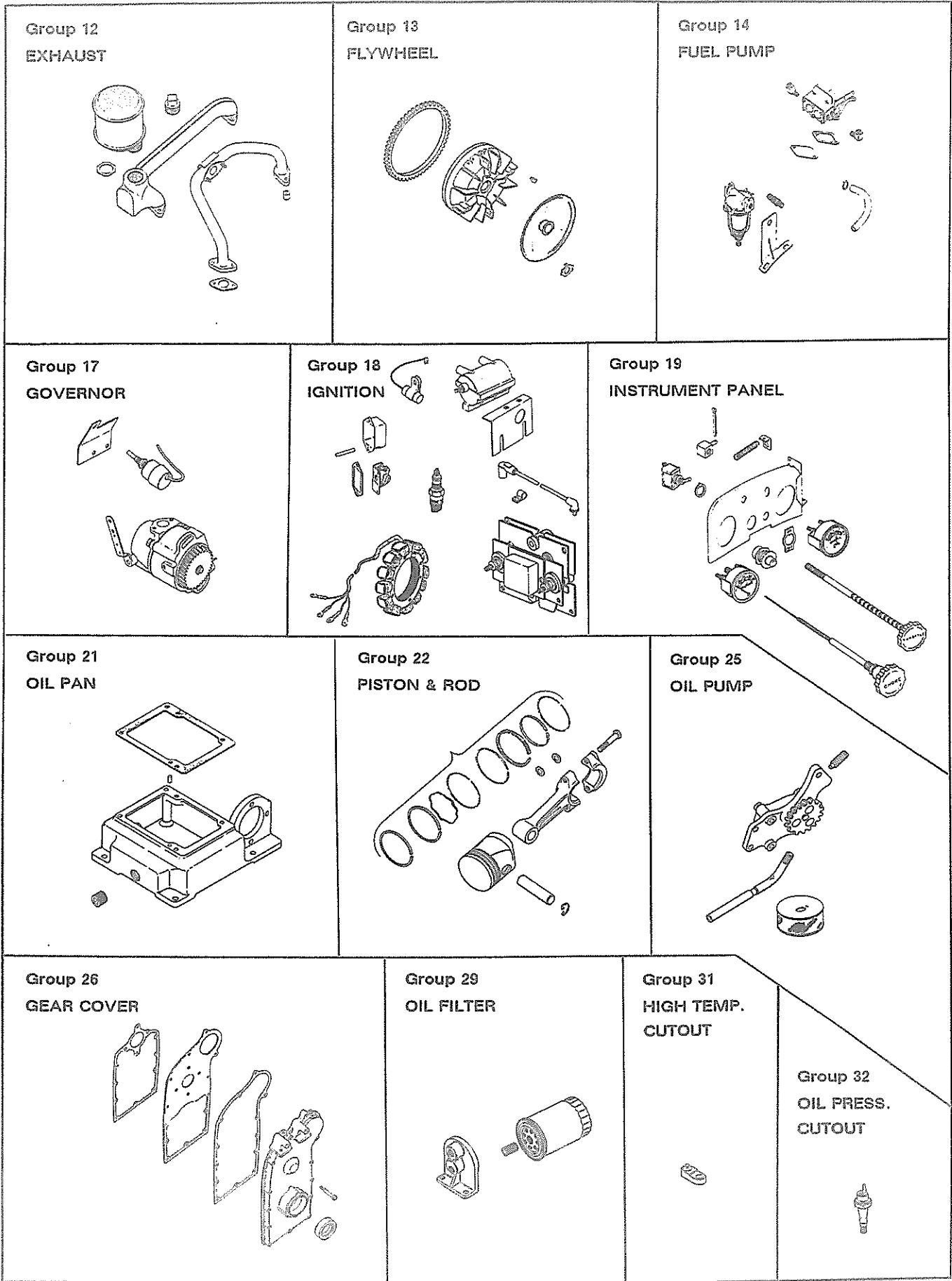
K532 ENGINE SPECIFICATIONS						
Engine Spec No.	Replacement Engine	Original Engine Crankshaft No.	Replac. Short Block	Engine Spec No.	Replacement Engine	Original Engine Crankshaft No.
53100	--	277259	0-277703	53120	--	48 014 01
53101	35232*	277624	48 522 05	53121	--	277624
53102	35233	277650	0-277703	53122	--	277624
53103	--	277624	48 522 05	53123	35206	48 014 51
53104	--	277624	48 522 05	53124	35243	277624
53105	--	277650	48 522 11	53125	35244	277624
53106	--	277650	48 522 05	53126	--	48 014 01
53107	--	277650	48 522 05	53127	--	277624
53108	--	277624	48 522 05	53128	--	277650
53109	--	277624	48 522 05	53129	--	277650
53110	--	277624	48 522 05	53130	--	48 014 01
53111	--	48 014 01	48 522 05	53131	35342	48 014 05
53112	--	48 014 01	48 522 05	53132	--	277624
53113	--	277624	48 522 05	53133	--	277624
53114	--	48 014 02	48 522 12	53134	--	--
53115	--	277624	48 522 05	53135	35231	48 014 02
53116	--	48 014 02	48 522 12	53136	--	48 014 02
53117	--	48 014 02	48 522 12	53137	--	--
53118	--	277624	48 522 05	53138	--	--
53119	--	277650	48 522 05	53139	--	0-277703
53120	--	277624	48 522 05	53140	--	48 014 01

*Base Engine All Short Blocks include an overhaul gasket set.

COMPOSITE EXPLODED VIEW



COMPOSITE EXPLODED VIEW



SPECIFICATION NUMBER INDEX

Group Title & Number	AIR INTAKE	BAFFLES & SHROUD	BREATHER & VENT	CAMSHAFT & V.V.'VES	CARBURETOR	CLUTCH	CRANKCASE	CRANKSHAFT	CYLINDER HEAD	DIPSTICK	ELECTRIC START	EXHAUST	FLYWHEEL	FUEL PUMP	GOVERNOR	IGNITION	INSTRUMENT PANEL	OIL PAN	PISTON & ROD	OIL PUMP	GEAR COVER	OIL FILTER	HIGH TEMP. CUTOUT	OIL PRESS. CUTOUT
	1	2	3	4	5	6	7	8	9	10	11	12	13	14	17	18	19	21	22	25	26	29	31	32
Page No.	16	18	20	21	22	28	30	32	33	34	35	40	42	44	46	48	50	52	53	54	55	56	57	58
Grid No.	B1	B3	B5	B6	B7	B13	C1	C3	C4	C5	C6	C11	C13	D1	D3	D5	D7	D9	D10	D11	D12	D13	D14	E1

Spec. No. Variation Number

35107	6	3	4	3	1		19	4	1	4	4	5	6	23	2	3	4	5	2	3	5	3		
35109	7	3	4	5	1		19	3	1	4	4	7	6	23	2	3	4	5	2	3	5	500		
35113	600	3	4	3	1		5	21	1	4	19	23	9	14	2	12	13	5	2	3	5	8		
35115	6	3	4	4	1		5	4	1	4	4	5	6	3	2	3	4	5	2	3	5	3		
35119	6	3	4	3	1		19	11	1	4	4	5	6	23	2	15	4	5	2	3	5	3		
35120	15	3	4	6	1		5	4	1	4	14	51	6	4	800	3	700	7	2	3	5	3		
35121	6	6	4	3	1		19	4	1	4		14	11	23	2	5	7	1	2	4	7	3		
35122	6	6	4	3	1	1	10	8	1	4		14	11	23	2	5	7	1	2	4	7	3		
35123	6	6	4	4	1		9	2	1	4		14	11	23	2	5	7	1	2	4	7	3		
35124	8	13	4	4	1		6	13	1	21	13	13	17	5	2	12	5	9	4	3	5	5		
35125	6	3	4	3	1	1	10	8	1	4	4	5	6	23	2	3	4	5	2	3	5	3		
35126	601	11	4	4	1		14	12	1	4	4	11	11	12	8	10	10	1	2	20	7	3		
35128	8	3	4	3	1		5	4	1	4	4	7	6	3	2	3	4	5	2	3	5	3		
35129	6	3	4	4	1		9	2	1	4	4	5	6	3	2	3	4	5	2	3	5	3		
35139	6	3	4	3	1		10	14	1	4	4	5	8	3	2	3	4	5	2	3	5	3		
35142	6	3	4	3	1		5	15	1	4	4	5	6	3	2	3	4	5	2	3	5	3		
35144	6	3	4	6	2		5	4	1	4	4	5	6	3	2	3	4	5	2	3	5	3		
35145	6	3	4	3	1		5	13	1	4	4	5	13	3	2	3	4	5	2	3	5	3		
35147	6	3	4	3	1		6	4	1	22	18	7	13	14	800	3	5	5	2	3	5	3		
35148	6	6	4	3	1		5	4	1	4		5	11	3	2	7	7	1	2	4	7	3		
35153		13	6	4	10		6	13	3	21	13	16	17	4	7	12	5	9	4	3	5	5		
35154	6	6	4	4	1		9	9	1	4		14	11	3	2	5	7	1	2	4	7	3		
35157	14	3	4	4	1		5	4	1	4	50	25	6	14	2	11	5	5	2	3	5	3	2	
35159	14	3	4	4	1		19	4	1	4	15	9	6	14	2	3	14	5	2	3	5	3		2
35162	6	7	4	3	1		5	4	1	4	14	19	19	14	2	3	5	5	2	3	5	6		
35164	6	14	4	4	1		5	4	1	4	8	7	15	3	2	3	5	5	2	3	5	5		
35166	5	3	4	3	1		5	4	1	4	16	5	6	3	2	3	4	5	2	3	5	3		
35167	12	14	7	4	8		5	4	3	4	8	22	15	4	7	4	5	5	2	3	5	5		
35171	6	3	4	3	1		19	17	1	4	4	5	6	23	2	3	4	5	2	3	5	3		
35173	8	13	4	4	1		17	4	1	5	13	13	17	16	2	12	5	9	4	3	5	5		
35174		13	6	4	10		17	4	3	5	13	16	17	4	7	12	5	9	4	3	5	5		
35182	6	3	4	3	1		10	8	1	4	4	5	8	3	2	3	4	5	2	3	5	3		
35184	6	3	4	3	1		200	4	1	4	28	9	6	14	800	3	5	5	2	3	5	3		
35185	6	3	4	3	1		5	4	1	4	14	5	6	3	2	3	5	5	2	3	5	3		
35186	14	3	4	3	1		19	4	1	4	14	52	6	23	2	3	5	5	2	3	5	3		
35195	6	3	4	3	1		5	4	1	4	14	29	6	3	2	3	5	5	2	3	5	3		
35198	6	3	4	3	1		6	4	1	22	4	7	8	23	2	3	4	5	2	3	5	3		
35199	6	3	4	4	1	1	10	8	1	4	4	19	6	23	2	3	4	5	2	3	5	3		
35200	14	3	4	4	1		5	4	1	4	51	25	6	14	2	11	5	5	2	3	5	3		2
35202	17	20	4	3	1		10	8	1	4	28	7	26	22	2	3	5	5	2	3	5	3		
35206	8	17	4	4	15		17	4	1	5	22	24	17	16	12	12	5	13	4	3	5	4		
35207		17	8	4	11		17	4	3	5	22	33	17	4	13	12	5	13	4	3	5	3		
35208	600	3	4	3	1		19	28	1	4	19	23	32	14	2	12	13	5	2	3	5	8		
35209	21	19	4	4	14		23	27	1	4	29	35	27	20	2	3	5	5	2	3	9	2		
35213	14	3	4	4	1		19	4	1	4	24	9	6	14	2	3	14	5	2	3	5	8		

SPECIFICATION NUMBER INDEX

Group Title & Number	AIR INTAKE	BAFFLES & SHROUD	BREATHER & VENT	CAMSHAFT & VALVES	CARBURETOR	CLUTCH	CRANKCASE	CRANKSHAFT	CYLINDER HEAD	DIPSTICK	ELECTRIC START	EXHAUST	FLYWHEEL	FUEL PUMP	GOVERNOR	IGNITION	INSTRUMENT PANEL	OIL PAN	PISTON & ROD	OIL PUMP	GEAR COVER	OIL FILTER	HIGH TEMP. CUTOUT	OIL PRESS. CUTOUT
	1	2	3	4	5	6	7	8	9	10	11	12	13	14	17	18	19	21	22	25	26	29	31	32
Page No.	16	18	20	21	22	28	30	32	33	34	35	40	42	44	46	48	50	52	53	54	55	56	57	58
Grid No.	B1	B3	B5	B6	B7	B13	C1	C3	C4	C5	C6	C11	C13	D1	D3	D5	D7	D9	D10	D11	D12	D13	D14	E1

Spec. No. **Variation Number**

35214	14	3	4	4	1		19	4	1	4	53	25	6	14	2	11	5	5	2	3	5	3		2
35216	6	3	4	3	1		19	4	1	4	26	37	29	21	2	3	4	5	2	3	3	3		
35217	6	3	4	3	1		19	4	1	4	37	37	11	21	2	5	7	1	2	4	7	3		
35221	6	3	4	3	1	1	10	8	1	4	26	37	29	21	2	3	4	5	2	3	9	3		
35222	22	19	4	4	14		23	27	1	4	29	35	27	20	2	25		5	2	3	9	2		
35223	8	21	4	4	15		17	4	1	5	22	42	17	16	12	12	5	13	4	3	5	9		
35224		21	8	4	11		17	4	3	5	22	33	17	4	13	12	5	13	4	3	5	9		
35225	6	3	4	4	19	1	10	8	1	4	26	19	29	23	2	16	4	5	2	3	9	3		
35227	14	3	4	4	1		19	4	1	4	33	9	29	14	2	3	17	5	2	3	9	3		
35228	14	3	4	4	19		19	4	1	4	52	25	29	14	2	21	5	5	2	3	9	3		2
35229	6	3	4	3	1		19	17	1	4	26	5	29	23	2	3	4	5	2	3	9	3		
35230	6	3	4	3	1		6	11	1	22	26	7	34	23	2	3	4	5	2	3	9	3		
35234	6	3	4	3	19		200	4	1	4	32	9	29	14	800	16	5	5	2	3	9	3		
35240	11	3	4	3	2		19	34	2	4	21	34	29	21	2	16	5	5	2	3	9	3	1	
35244	27	3	4	3	1		19	4	1	4	14	52	6	23	2	800	5	2	3	5	3			
53100	600	3	4	8	1		18	24	6	8	21	23	31	20	2	19	13	5	5	3	9	8		
53101	6	3	4	8	1		48	25	6	4	26	37	29	30	2	32	22	5	5	3	9	3		
53102	600	3	4	8	1		18	24	6	8	21	23	35	20	2	19	13	5	5	3	9	8		
53103	8	21	4	9	15		20	25	6	5	27	34	30	16	12	12	5	13	6	3	9	9		
53104	14	3	4	9	1		18	25	6	4	52	25	29	14	2	21	5	5	5	3	9	3		
53105	22	24	4	9	14		24	29	6	4	29	47	27	20	2	3		5	5	3	9	3		
53113	8	21	4	9	15		20	25	6	5	27	42	30	16	12	12	5	13	5	3	9	9		
53114	17	33	4	8	1		25	32	6	4	32	48	33	22	2	25	5	16	5	3	9	3		
53115	6	3	4	8	1		18	25	6	4	29	34	29	25	2	16	5	5	3	9	3			
53120	31	3	4	8	1		26	31	6	100	45	7	34	23	2	3	23	5	5	3	9	3		
53123	8	3	4	9	19		20	41	6	4	20	9	48	14	2	32	5	5	5	3	5	3		
53124	8	21	4	9	15		20	25	6	5	22	42	17	16	19	12	5	13	5	3	5	9		
53125		21	8	9	11		20	25	7	5	22	33	17	4	13	12	5	13	5	3	5	9		
53131	28	27	4	8	18		30	39	8	9	36	39	41	4	15	33	18	15	5	3	9	3		
53132	26	3	4	8	19		40	25	6	4	14	45	6	23	2	300		5	5	3	5	3		
53133	14	3	4	9	19		48	25	6	4	33	9	29	14	2	16	17	5	5	3	9	3		
53135	6	3	4	9	19	1	25	32	6	4	26	19	29	23	2	31	22	5	5	3	9	3		
53136	11	3	4	10	2		40	40	9	4	19	34	6	26	2	24		5	5	3	5	3	2	
53138	600	3	4	8	19		18	24	6	8	21	23	35	14	2	19	13	5	5	3	9	8		
53139	6	3	4	8	1		48	31	6	4	4	5	6	23	2	15	4	5	5	3	5	3		
53141	6	7	4	8	19		40	25	6	4	32	19	37	14	2	24	5	5	5	3	9	6		
53146	5	3	4	8	1		48	25	6	4	54	9	29	4	17	16	21	5	5	3	9	8		
53149	8	3	4	10	1		18	40	9	4	19	46	65	4	2	16		18	5	3	5	3	1	
53152	8	3	4	8	1		48	25	6	4	26	34	54	4	2	16	22	5	5	3	9	3		
53154	31	3	4	8	1		18	25	6	4	40	37	29	4	20	16	701	5	5	3	9	3		
53156	33	27	4	8	18		30	39	8	10	48	39	61	34	15	33	18	22	5	3	9	8		
53168	39	27	4	8	18		30	39	8	9	36	39	41	4	15	33	18	15	5	3	9	3		
53169	8	41	4	9	1		25	32	6	4	32	48	67	34	2	25	5	16	5	3	9	9		
53170	8	37	4	9	1		42	41	6	47	65	59	40	2	32	5	6	18	5	3	5	9		
53172	32	3	4	8	1		48	31	6	4	50	37	29	30	2	32	22	5	5	3	9	3		
53173	17	3	4	8	1		48	31	6	4	26	9	29	30	2	32	22	5	5	3	9	3		

SPECIFICATION NUMBER INDEX

Group Title & Number	AIR INTAKE	BAFFLES & SHROUD	BREATHER & VENT	CAMSHAFT & VALVES	CARBURETOR	CLUTCH	CRANKCASE	CRANKSHAFT	CYLINDER HEAD	DIPSTICK	ELECTRIC START	EXHAUST	FLYWHEEL	FUEL PUMP	GOVERNOR	IGNITION	INSTRUMENT PANEL	OIL PAN	PISTON & ROD	OIL PUMP	GEAR COVER	OIL FILTER	HIGH TEMP. CUTOUT	OIL PRESS. CUTOUT
	1	2	3	4	5	6	7	8	9	10	11	12	13	14	17	18	19	21	22	25	26	29	31	32
Page No.	16	18	20	21	22	28	30	32	33	34	35	40	42	44	46	48	50	52	53	54	55	56	57	58
Grid No.	B1	B3	B5	B6	B7	B13	C1	C3	C4	C5	C6	C11	C13	D1	D3	D5	D7	D9	D10	D11	D12	D13	D14	E1

Spec. No. Variation Number

53176	8	3	4	8	1		18	31	6	4	55	37	29	4	2	16	5	5	5	3	9	8		
53177	8	21	4	9	15		20	57	6	5	22	42	66	16	19	12	5	13	5	3	5	9		
53178		21	8	9	11		20	57	7	5	22	33	66	4	13	12	5	13	5	3	5	9		
53180	45	27	10	8	18		30	39	8	9	65	64	41	4	22	47	18	15	5	3	9	11		
53181	6	3	4	8	1		48	25	6	4	26	37	29	30	2	32	22	5	5	3	9	3		
53186	8	37	4	9	1		64	59	6	4	52	65	72	40	2	32	5	6	18	5	3	5	9	

GENERATOR SPEC. NUMBER INDEX

Group Title & Number	AIR INTAKE	BAFFLES & SHROUD	BREATHER & VENT	CAMSHAFT & VALVES	CARBURETOR	CLUTCH	CRANKCASE	CRANKSHAFT	CYLINDER HEAD	DIPSTICK	ELECTRIC START	EXHAUST	FLYWHEEL	FUEL PUMP	GOVERNOR	IGNITION	INSTRUMENT PANEL	OIL PAN	PISTON & ROD	OIL PUMP	GEAR COVER	OIL FILTER	HIGH TEMP. CUTOUT	OIL PRESS. CUTOUT
	1	2	3	4	5	6	7	8	9	10	11	12	13	14	17	18	19	21	22	25	26	29	31	32
Page No.	16	18	20	21	22	28	30	32	33	34	35	40	42	44	46	48	50	52	53	54	55	56	57	58
Grid No.	B1	B3	B5	B6	B7	B13	C1	C3	C4	C5	C6	C11	C13	D1	D3	D5	D7	D9	D10	D11	D12	D13	D14	E1

Spec. No. Variation Number

9000A	5	5	4	4	2		7	5	1	4		9	7	23	16	3		14	2	4	9	3		
9000B	5	6	4	4	20		7	5	1	4		42	11	23	16	26		14	2	4	7	3		
9002A	5	5	4	4	2		7	5	1	4		9	7	23	16	3		14	2	4	9	3		
9002B	5	5	4	4	20		7	5	1	4		42	11	23	16	26		14	2	4	7	3		
9003A	9	9	5	4	3		7	5	3	4		9	14	4	16	3		14	2	4	9	3		
9003B	9	10	5	4	3		7	5	3	4		24	16	4	4	13		14	2	4	7	3		
9004A	5	5	4	4	2		7	5	1	4		9	7	23	16	3		14	2	4	9	3		
9004B	5	5	4	4	20		7	5	1	4		42	11	23	16	26		14	2	4	7	3		
9005A	9	5	5	4	3		7	5	3	4		9	7	4	16	3		14	2	4	9	3		
9005B	9	6	5	4	3		7	5	3	4		24	11	4	4	13		14	2	4	7	3		
9006A	6	9	4	4	2		7	5	1	4		5	14	3	4	3		8	2	4	5	3		
9006B	5	10	4	4	20		7	5	1	4		42	16	23	16	13		14	2	4	7	3		
9007A	5	5	4	4	2		7	5	1	4		9	7	23	16	3		14	2	4	9	3		
9007B	5	5	4	4	20		7	5	1	4		42	11	23	16	26		14	2	4	7	3		
9008A	6	9	4	4	2		7	5	1	4		5	14	3	4	3		8	2	4	5	3		
9008B	5	10	4	4	20		7	5	1	4		42	16	23	16	13		14	2	4	7	3		
9009A	9	5	5	4	3		7	5	3	4		9	7	4	16	3		14	2	4	9	3		
9009B	9	6	5	4	16		7	5	3	4		24	11	4	4	13		14	2	4	7	3		
9010A	9	5	5	4	3		7	5	3	4		9	7	4	16	3		14	2	4	9	3		
9010B	9	6	5	4	3		7	5	3	4		24	11	4	4	13		14	2	4	7	3		
9011A	6	9	4	4	2		7	5	1	4		8	14	6	4	3		8	2	4	5	3		
9013A	6	9	4	4	2		7	5	1	4		5	14	6	4	3		8	2	4	5	3		
9013B	5	10	4	4	20		7	5	1	4		42	16	23	16	13		14	2	4	7	3		
9014A	6	9	4	4	2		7	5	1	4		5	14	3	4	3		8	2	4	5	3		
9014B	5	10	4	4	20		7	5	1	4		42	16	23	16	13		14	2	4	7	3		
9015A	9	5	5	4	3		7	5	3	4		9	7	4	16	3		14	2	4	9	3		
9015B	9	6	5	4	3		7	5	3	4		24	11	4	4	13		14	2	4	7	3		
9016A	9	5	5	4	3		7	5	3	4		9	7	4	16	3		14	2	4	9	3		
9016B	9	6	5	4	3		7	5	3	4		24	11	4	4	13		14	2	4	7	3		
9017A	9	5	5	4	3		7	5	3	4		9	7	14	16	3		14	2	4	9	3		
9017B	9	6	5	4	3		7	5	3	4		9	7	4	16	3		14	2	4	9	3		
9018A	9	9	5	4	4		7	5	3	4		9	14	10	4	3		8	2	4	5	3		
9018B	9	10	5	4	4		7	5	3	4		42	16	10	16	13		14	2	4	7	3		
9019A	5	5	4	4	2		7	5	1	4		9	7	23	16	3		14	2	4	9	3		
9020A	9	5	5	4	3		7	5	3	4		9	7	14	16	3		14	2	4	9	3		
9020B	9	6	5	4	3		7	5	3	4		24	11	4	4	13	14	2	4	7	3			
9021A	9	9	5	4	4		7	5	3	4		9	14	10	4	3	8	2	4	5	3			
9021B	9	10	5	4	4		7	5	3	4		42	16	10	16	13	14	2	4	7	3			
9022A	9	9	5	4	3		7	5	3	4		9	14	4	16	3	14	2	4	9	3			
9023A	9	9	5	4	3		7	5	3	4		103	14	4	16	3	14	2	4	9	3			

GENERATOR SPEC. NUMBER INDEX

Group Title & Number	AIR INTAKE	BAFFLES & SHROUD	BREATHER & VENT	CAMSHAFT & VALVES	CARBURETOR	CLUTCH	CRANKCASE	CRANKSHAFT	CYLINDER HEAD	DIPSTICK	ELECTRIC START	EXHAUST	FLYWHEEL	FUEL PUMP	GOVERNOR	IGNITION	INSTRUMENT PANEL	OIL PAN	PISTON & ROD	OIL PUMP	GEAR COVER	OIL FILTER	HIGH TEMP. CUTOUT	OIL PRESS. CUTOUT
	1	2	3	4	5	6	7	8	9	10	11	12	13	14	17	18	19	21	22	25	26	29	31	32
Page No.	16	18	20	21	22	28	30	32	33	34	35	40	42	44	46	48	50	52	53	54	55	56	57	58
Grid No.	B1	B3	B5	B6	B7	B13	C1	C3	C4	C5	C6	C11	C13	D1	D3	D5	D7	D9	D10	D11	D12	D13	D14	E1

9020B	9	6	5	4	3		7	5	3	4		24	11	4	4	13		14	2	4	7	3		
9021A	9	9	5	4	4		7	5	3	4		9	14	10	4	3		8	2	4	5	3		
9021B	9	10	5	4	4		7	5	3	4		42	16	10	16	13		14	2	4	7	3		
9022A	9	9	5	4	3		7	5	3	4		9	14	4	16	3		14	2	4	9	3		
9023A	9	9	5	4	3		7	5	3	4		103	14	4	16	3		14	2	4	9	3		
9023B	9	10	5	4	3		7	5	3	4		102	16	4	4	13		14	2	4	7	3		
9024A	6	9	4	4	2		7	5	1	4		5	14	3	4	3		8	2	4	5	3		
9024B	5	10	4	4	20		7	5	1	4		42	16	23	16	13		14	2	4	7	3		
9025A	5	5	4	4	2		7	5	1	4		9	7	23	16	3		14	2	4	9	3		
9025B	5	6	4	4	20		7	5	1	4		42	11	23	16	26		14	2	4	7	3		
9026A	6	6	4	4	19		15	5	1	4		24	11	23	4	5	11	14	2	4	7	3		
9026B	6	6	4	4	19		15	5	1	4		24	11	23	4	5	11	14	2	4	7	3		
9027A	9	5	5	4	4		7	5	3	4		9	7	10	4	3		8	2	4	5	3		
9027B	9	6	5	4	4		7	5	3	4		42	11	10	16	26		14	2	4	7	3		
9028A	5	5	4	4	2		7	5	1	4		9	7	23	16	3		14	2	4	9	3		
9028B	5	6	4	4	20		7	5	1	4		42	11	23	16	26		14	2	4	7	3		
9029A	9	5	5	4	4		7	5	3	4		9	7	10	4	3		8	2	4	5	3		
9030A	6	9	4	4	2		7	5	1	4		5	14	3	4	3		8	2	4	5	3		
9030B	5	10	4	4	20		7	5	1	4		42	16	23	16	13		14	2	4	7	3		
9031A	9	9	5	4	3		7	5	3	4		9	14	4	16	3		14	2	4	9	3		
9031B	9	10	5	4	3		7	5	3	4		24	16	4	4	13		14	2	4	7	3		
9032A	9	9	5	4	3		7	5	3	4		102	14	4	16	24		14	2	4	9	3		
9032B	9	10	5	4	3		7	5	3	4		7	16	4	4	13		14	2	4	7	3		
9033A	5	5	4	4	2		7	5	1	4		9	7	23	16	3		14	2	4	9	3		
9033B	5	6	4	4	20		7	5	1	4		42	11	23	16	26		14	2	4	7	3		
9034A	9	9	5	4	3		7	5	3	4		9	14	4	16	3		14	2	4	9	3		
9034B	9	10	5	4	3		7	5	3	4		24	16	4	4	13		14	2	4	7	3		
9035A	9	9	5	4	4		7	5	3	4		9	14	10	4	3		8	2	4	5	3		
9036A	9	6	5	4	3		7	5	3	4		14	11	4	4	5	11	14	2	4	7	3		
9036B	9	6	5	4	3		7	5	3	4		14	11	4	4	5	11	14	2	4	7	3		
9037A	6	9	4	4	2		7	5	1	4		5	14	3	4	3		8	2	4	5	3		
9037B	5	10	4	4	20		7	5	1	4		42	16	23	16	13		14	2	4	7	3		
9038A	6	9	4	4	2		7	5	1	4		5	14	3	4	3		8	2	4	5	3		
9038B	5	10	4	4	20		7	5	1	4		42	16	23	16	3		14	2	4	7	3		
9039A	5	5	4	4	2		7	5	1	4		9	7	23	16	3		14	2	4	9	3		
9039B	5	6	4	4	20		7	5	1	4		42	11	23	16	26		14	2	4	7	3		
9040A	6	9	4	4	2		7	5	1	4		7	14	3	4	3		8	2	4	5	3		
9040B	5	10	4	4	2		7	5	1	4		7	16	14	16	13		14	2	4	7	3		
9041A	6	9	4	4	2		7	5	1	4		5	14	3	4	3		8	2	4	5	3		
9042A	6	6	4	4	19		15	5	1	4		24	11	23	4	5	11	14	2	4	7	3		
9042B	6	6	4	4	19		15	5	1	4		24	11	23	4	5	11	14	2	4	7	3		
9043A	5	5	4	4	2		7	5	1	4		9	7	23	16	3		14	2	4	9	3		
9044A	5	5	4	4	2		7	5	1	4		9	7	23	16	3		14	2	4	9	3		
9044B	5	6	4	4	20		7	5	1	4		42	11	23	16	26		14	2	4	7	3		
9045A	9	9	5	4	4		7	5	3	4		9	14	10	4	3		8	2	4	5	3		

GENERATOR SPEC. NUMBER INDEX

Group Title & Number	AIR INTAKE	BAFFLES & SHROUD	BREATHER & VENT	CAMSHAFT & VALVES	CARBURETOR	CLUTCH	CRANKCASE	CRANKSHAFT	CYLINDER HEAD	DIPSTICK	ELECTRIC START	EXHAUST	FLYWHEEL	FUEL PUMP	GOVERNOR	IGNITION	INSTRUMENT PANEL	OIL PAN	PISTON & ROD	OIL PUMP	GEAR COVER	OIL FILTER	HIGH TEMP. CUTOUT	OIL PRESS. CUTOUT
	1	2	3	4	5	6	7	8	9	10	11	12	13	14	17	18	19	21	22	25	26	29	31	32
Page No.	16	18	20	21	22	28	30	32	33	34	35	40	42	44	46	48	50	52	53	54	55	56	57	58
Grid No.	B1	B3	B5	B6	B7	B13	C1	C3	C4	C5	C6	C11	C13	D1	D3	D5	D7	D9	D10	D11	D12	D13	D14	E1

Spec. No. **Variation Number**

9042B	6	6	4	4	19		15	5	1	4		24	11	23	4	5	11	14	2	4	7	3		
9043A	5	5	4	4	2		7	5	1	4		9	7	23	16	3		14	2	4	9	3		
9044A	5	5	4	4	2		7	5	1	4		9	7	23	16	3		14	2	4	9	3		
9044B	5	6	4	4	20		7	5	1	4		42	11	23	16	6		14	2	4	7	3		
9045A	9	9	5	4	4		7	5	3	4		9	14	10	4	3		8	2	4	5	3		
9046A	5	5	4	4	2		7	5	1	4		9	7	23	16	3		14	2	4	9	3		
9047A	9	5	5	4	4		7	5	3	4		9	7	10	4	3		8	2	4	5	3		
9048A	6	9	4	4	2		7	5	1	4		104	14	197	4	3		8	2	4	5	3		
9048B	5	10	4	4	2		7	5	1	4		104	16	198	16	13		14	2	4	7	3		
9049A	6	6	4	4	19		15	5	1	4		24	11	23	4	5	11	14	2	4	7	3		
9049B	6	6	4	4	19		15	5	1	4		24	11	23	4	5	11	14	2	4	7	3		
9050A	6	9	4	4	2		7	5	1	4		5	14	3	4	3		8	2	4	5	3		
9051A	5	5	4	4	2		7	5	1	4		9	7	23	16	3		14	2	4	9	3		
9051B	5	6	4	4	20		7	5	1	4		42	11	23	16	26		14	2	4	7	3		
9052A	9	5	5	4	4		7	5	3	4		9	7	10	4	3		8	2	4	5	3		
9052B	9	6	5	4	4		7	5	3	4		42	11	10	16	26		14	2	4	7	3		
9053A	9	9	5	4	4		7	5	3	4		104	14	199	4	3		8	2	4	5	3		
9054A	9	5	5	4	3		7	5	3	4		9	7	4	16	3		14	2	4	9	3		
9054B	9	6	5	4	3		7	5	3	4		24	11	4	4	13		14	2	4	7	3		
9055A	9	9	5	4	3		7	5	3	4		9	14	4	16	3		14	2	4	9	3		
9055B	9	10	5	4	3		7	5	3	4		24	16	4	4	13		14	2	4	7	3		
9056A	9	5	5	4	3		7	5	3	4		9	7	4	16	3		14	2	4	9	3		
9057A	5	5	4	4	2		7	5	1	4		9	7	23	16	3		14	2	4	9	3		
9057B	5	6	4	4	20		7	5	1	4		42	11	23	16	26		14	2	4	7	3		
9058A	6	6	4	4	19		15	5	1	4		24	11	23	4	5	11	14	2	4	7	3		
9058B	6	6	4	4	19		15	5	1	4		100	11	23	4	5	11	14	2	4	7	3		
9059B	5	10	4	4	20		7	5	1	4		42	16	23	16	13		14	2	4	7	3		
9060A	5	5	4	4	2		7	5	1	4		9	7	23	16	3		14	2	4	9	3		
9060B	5	6	4	4	20		7	5	1	4		42	11	23	16	26		14	2	4	7	3		
9061B	6	6	4	4	19		15	5	1	4		24	11	23	4	5	11	14	2	4	7	3		
9062B	5	6	4	4	20		7	5	1	4		42	11	23	16	26		14	2	4	7	3		
9063A	9	5	5	4	4		7	5	3	4		9	7	10	4	3		8	2	4	5	3		
9063B	9	6	5	4	4		7	5	3	4		42	11	10	16	26		14	2	4	7	3		
9064B	6	6	4	4	2		7	5	1	4		24	11	3	4	13		8	2	4	7	3		
9065A	9	9	5	4	3		7	5	3	4		102	14	4	16	24		14	2	4	9	3		
9065B	9	10	5	4	3		7	5	3	4		102	16	4	4	13		14	2	4	7	3		
9066A	9	9	5	4	4		7	5	3	4		104	14	199	4	3		8	2	4	5	3		
9066B	9	10	5	4	4		7	5	3	4		104	16	200	16	13		14	2	4	7	3		
9067B	9	6	5	4	4		7	5	3	4		42	11	10	16	26		14	2	4	7	3		
9068B	9	6	5	4	3		7	5	3	4		24	11	4	4	13		14	2	4	7	3		
9069B	9	6	5	4	3		7	5	3	4		24	11	4	4	13		14	2	4	7	3		
9070A	9	9	5	4	3		7	5	3	4		9	14	4	16	3		14	2	4	9	3		
9071B	5	10	4	4	2		7	5	1	4		104	16	198	16	13		14	2	4	7	3		
9073B	6	6	4	4	19		15	5	1	4		24	11	23	4	5	11	14	2	4	7	3		
9074B	6	6	4	4	19		15	5	1	4		24	11	23	4	5	11	14	2	4	7	3		

GENERATOR SPEC. NUMBER INDEX

Group Title & Number	AIR INTAKE	BAFFLES & SHROUD	BREATHER & VENT	CAMSHAFT & VALVES	CARBURETOR	CLUTCH	CRANKCASE	CRANKSHAFT	CYLINDER HEAD	DIPSTICK	ELECTRIC START	EXHAUST	FLYWHEEL	FUEL PUMP	GOVERNOR	IGNITION	INSTRUMENT PANEL	OIL PAN	PISTON & ROD	OIL PUMP	GEAR COVER	OIL FILTER	HIGH TEMP. CUTOUT	OIL PRESS. CUTOUT
	1	2	3	4	5	6	7	8	9	10	11	12	13	14	17	18	19	21	22	25	26	29	31	32
Page No.	16	18	20	21	22	28	30	32	33	34	35	40	42	44	46	48	50	52	53	54	55	56	57	58
Grid No.	B1	B3	B5	B6	B7	B13	C1	C3	C4	C5	C6	C11	C13	D1	D3	D5	D7	D9	D10	D11	D12	D13	D14	E1

Spec. No. **Variation Number**

9076B	6	6	4	4	19		15	5	1	4		24	11	23	4	5	11	14	2	4	7	3		
9077B	9	10	5	4	4		7	5	3	4		42	16	10	16	13		14	2	4	7	3		
9078B	9	10	5	4	3		7	5	3	4		24	16	4	4	13		14	2	4	7	3		
9079B	5	6	4	4	20		7	5	1	4		42	11	23	16	26		14	2	4	7	3		
9080B	9	10	5	4	4		7	5	3	4		42	16	10	16	13		14	2	4	7	3		
9081B	5	10	4	4	2		7	5	1	4		104	16	198	16	13		14	2	4	7	3		
9082B	5	6	4	4	20		7	5	1	4		101	11	23	16	26		14	2	4	7	3		
9083B	5	10	4	4	2		7	5	1	4		104	16	198	16	13		14	2	4	7	3		
9084B	16	15	4	4	2		7	5	1	4		26	16	23	4	17		8	2	4	7	7		
9085B	5	10	4	4	20		7	5	1	4		42	16	23	16	13		14	2	4	7	3		
9086B	9	6	5	4	4		7	5	3	4		42	11	10	16	26		14	2	4	7	3		
9087A	5	5	4	4	2		7	5	1	4		9	7	23	16	3		14	2	4	9	3		
9087B	5	5	4	4	2		7	5	1	4		9	7	23	16	3		14	2	4	9	3		
9088B	6	6	4	4	19		15	5	1	4		24	11	23	4	5	11	14	2	4	7	3		
9089B	5	6	4	4	20		7	5	1	4		42	11	23	16	26		14	2	4	7	3		
9090B	5	10	4	4	20		7	5	1	4		42	16	23	16	13		14	2	4	7	3		
9091B	9	10	5	4	3		7	5	3	4		102	16	4	4	13		14	2	4	7	3		
9092B	5	6	4	4	20		7	5	1	4		42	11	23	16	26		14	2	4	7	3		
9093B	7	6	4	4	2		7	5	1	4		24	11	3	4	13		14	2	4	7	3		
9094B	6	6	4	4	19		15	5	1	4		24	11	23	4	5	11	14	2	4	7	3		
9095B	16	15	4	4	2		7	5	1	4		26	16	3	4	17		8	2	4	7	7		
9096B	6	16	4	4	20		7	5	1	4	9	24	25	23	4	13		5	2	3	7	7		
9097B	6	16	4	4	20		7	5	1	4	9	24	25	4	4	13		12	2	3	7	7		
9098B	6	6	4	4	19		15	5	1	4		24	11	23	4	5	11	14	2	4	7	3		
9099B	6	6	4	4	19		15	5	1	4		24	11	23	4	5	11	14	2	4	7	3		
90100B	5	6	4	4	20		7	5	1	4		42	11	23	16	26		14	2	4	7	3		
90101B	9	10	5	4	4		7	5	3	4		42	16	10	16	13		14	2	4	7	3		
90102B	6	16	4	4	20		7	5	1	4	9	24	25	4	4	13		12	2	3	7	7		
90103B	5	6	4	4	20		7	5	1	4		42	11	23	16	26		14	2	4	7	3		
90104B	9	6	5	4	3		7	5	3	4		24	11	4	4	13		14	2	4	7	3		
90105B	9	6	5	4	4		7	5	3	4		42	11	10	16	26		14	2	4	7	3		
90106B	9	10	5	4	3		7	5	3	4		24	16	4	4	13		14	2	4	7	3		
90107B	9	15	5	4	4		7	5	3	4		26	16	10	4	17		8	2	4	7	7		
90108B	9	10	5	4	3		7	5	3	4		102	16	4	4	13		14	2	4	7	3		
90109B	6	16	4	4	20		7	5	1	4	9	24	25	4	4	13		12	2	3	7	7		
90110B	9	16	5	4	3		7	5	3	4	9	24	25	4	4	13		12	2	3	7	7		
90111B	5	6	4	4	20		7	5	1	4		42	11	23	16	26		14	2	4	7	3		
90112B	6	6	4	4	19		15	5	1	4		100	11	23	4	5	11	14	2	4	7	3		
90113B	5	6	4	4	20		7	5	1	4		42	11	23	16	26		14	2	4	7	3		
90114B	6	6	4	4	19		15	5	1	4		24	11	23	4	5	11	14	2	4	7	3		
90115B	6	16	4	4	20		7	5	1	4	9	24	25	23	4	13		5	2	3	7	7		
90116B	5	6	4	4	20		7	5	1	4		42	11	23	16	26		14	2	4	7	3		
90117B	5	6	4	4	20		7	5	1	4		42	11	23	16	26		14	2	4	7	3		
90118B	5	10	4	4	2		7	5	1	4		104	16	198	16	13		14	2	4	7	3		
90119B	9	6	5	4	4		7	5	3	4		42	11	10	16	26		14	2	4	7	3		

GENERATOR SPEC. NUMBER INDEX

Group Title & Number	AIR INTAKE	BAFFLES & SHROUD	BREATHER & VENT	CAMSHAFT & VALVES	CARBURETOR	CLUTCH	CRANKCASE	CRANKSHAFT	CYLINDER HEAD	DIPSTICK	ELECTRIC START	EXHAUST	FLYWHEEL	FUEL PUMP	GOVERNOR	IGNITION	INSTRUMENT PANEL	OIL PAN	PISTON & ROD	OIL PUMP	GEAR COVER	OIL FILTER	HIGH TEMP. CUTOFF	OIL PRESS. CUTOFF
	1	2	3	4	5	6	7	8	9	10	11	12	13	14	17	18	19	21	22	25	26	29	31	32
Page No.	16	18	20	21	22	28	30	32	33	34	35	40	42	44	46	48	50	52	53	54	55	56	57	58
Grid No.	B1	B3	B5	B6	B7	B13	C1	C3	C4	C5	C6	C11	C13	D1	D3	D5	D7	D9	D10	D11	D12	D13	D14	E1

Spec. No. **Variation Number**

90115B	6	16	4	4	20		7	5	1	4	9	24	25	23	4	13		5	2	3	7	7		
90116B	5	6	4	4	20		7	5	1	4		42	11	23	16	26		14	2	4	7	3		
90117B	5	6	4	4	20		7	5	1	4		42	11	23	16	26		14	2	4	7	3		
90118B	5	10	4	4	2		7	5	1	4		104	16	198	16	13		14	2	4	7	3		
90119B	9	6	5	4	4		7	5	3	4		42	11	10	16	26		14	2	4	7	3		
90120B	16	15	4	4	2		7	5	2	4		26	16	23	4	17		8	2	4	7	7	2	1
90121B	9	6	5	4	3		7	5	3	4		24	11	4	4	13		14	2	4	7	3		
90122B	9	10	5	4	3		7	5	3	4		24	16	4	4	13		14	2	4	7	3		
90123B	9	10	5	4	3		7	5	3	4		102	16	4	4	13		14	2	4	7	3		
90124B	9	10	5	4	3		7	5	3	4		102	16	4	4	13		14	2	4	7	3		
90125B	16	15	4	4	2		7	5	2	4		26	16	23	4	17		8	2	4	7	7	2	1
90126B	5	6	4	4	20		7	5	1	4		42	11	23	16	26		14	2	4	7	3		
90127B	6	6	4	4	19		15	5	1	4		24	11	23	4	5	11	14	2	4	7	3		
90128B	5	10	4	4	20		7	5	1	4		42	16	23	16	13		14	2	4	7	3		
90129B	16	15	4	4	2		7	5	2	4		26	16	23	4	17		8	2	4	7	7	2	1
90130B	16	25	4	4	20		7	5	2	4		38	42	23	16	20		8	2	4	9	7	2	1
90131B	9	5	5	4	16		7	5	3	4		9	7	4	4	3		14	2	4	9	3		
90132B	9	5	5	4	3		7	5	3	4		9	7	4	16	3		14	2	4	9	3		
90133B	9	5	5	4	3		7	5	3	4		9	7	4	16	3		14	2	4	9	3		
90134B	9	9	5	4	3		7	5	3	4		102	14	4	16	24		14	2	4	9	3		
90135B	16	25	4	4	20		7	5	2	4		38	42	23	16	20		8	2	4	9	7	2	1
90136B	16	25	4	4	20		7	5	2	4		38	42	23	16	20		8	2	4	9	7	2	1
90137B	9	5	5	4	3		7	5	3	4		9	7	4	16	3		14	2	4	9	3		
90138B	9	5	5	4	3		7	5	3	4		9	7	4	16	3		14	2	4	9	3		
90139B	9	9	5	4	3		7	5	3	4		102	14	4	16	24		14	2	4	9	3		
90140B	16	25	4	4	20		7	5	2	4		38	42	23	16	20		8	2	4	9	7	2	1
90141B	9	5	5	4	3		7	5	3	4		9	7	4	16	3		14	2	4	9	3		
90142B	9	9	5	4	3		7	5	3	4		9	14	4	16	3		14	2	4	9	3		
90143B	9	9	5	4	3		7	5	3	4		102	14	4	16	24		14	2	4	9	3		
90144B	9	5	5	4	3		7	5	3	4		9	7	4	16	3		14	2	4	9	3		
90145B	9	9	5	4	3		7	5	3	4		9	14	4	16	3		14	2	4	9	3		
90146B	9	9	5	4	3		7	5	3	4		102	14	4	16	24		14	2	4	9	3		
90147B	9	5	5	4	3		7	5	3	4		9	7	4	16	3		14	2	4	9	3		
90148B	9	9	5	4	3		7	5	3	4		102	14	4	16	24		14	2	4	9	3		
90149B	16	25	4	4	20		7	5	2	4		38	42	23	16	20		8	2	4	9	7	2	1
90150B	9	9	5	4	3		7	5	3	4		9	14	4	16	3		14	2	4	9	3		
90151B	9	9	5	4	3		7	5	3	4		9	14	4	16	3		14	2	4	9	3		
90152B	9	5	5	4	23		7	5	3	4		42	7	10	16	3		14	2	4	9	3		
90153B	5	10	4	4	2		7	5	1	4		104	16	198	16	13		14	2	4	7	3		
90154B	5	6	4	4	20		7	5	1	4		42	51	23	16	26		14	2	4	7	3		
90155B	16	25	4	4	20		7	5	2	4		38	42	29	16	20		8	2	4	9	7	2	1

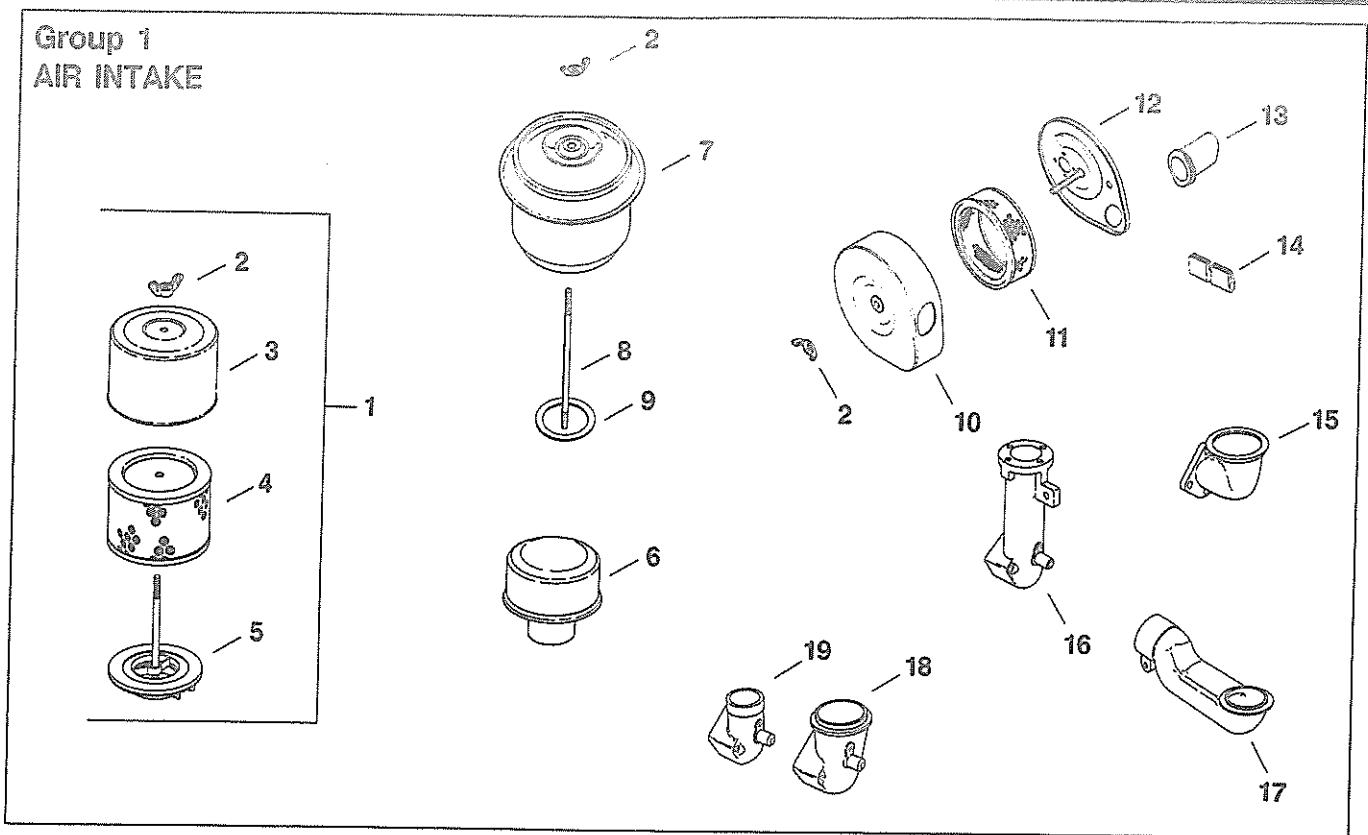
GENERATOR SPEC. NUMBER INDEX

Group Title & Number	AIR INTAKE	BAFFLES & SHROUD	BREATHER & VENT	CAMSHAFT & VALVES	CARBURETOR	CLUTCH	CRANKCASE	CRANKSHAFT	CYLINDER HEAD	DIPSTICK	ELECTRIC START	EXHAUST	FLYWHEEL	FUEL PUMP	GOVERNOR	IGNITION	INSTRUMENT PANEL	OIL PAN	PISTON & ROD	OIL PUMP	GEAR COVER	OIL FILTER	HIGH TEMP. CUTOFF	OIL PRESS. CUTOFF
	1	2	3	4	5	6	7	8	9	10	11	12	13	14	17	18	19	21	22	25	26	29	31	32
Page No.	16	18	20	21	22	28	30	32	33	34	35	40	42	44	46	48	50	52	53	54	55	56	57	58
Grid No.	B1	B3	B5	B6	B7	B13	C1	C3	C4	C5	C6	C11	C13	D1	D3	D5	D7	D9	D10	D11	D12	D13	D14	E1

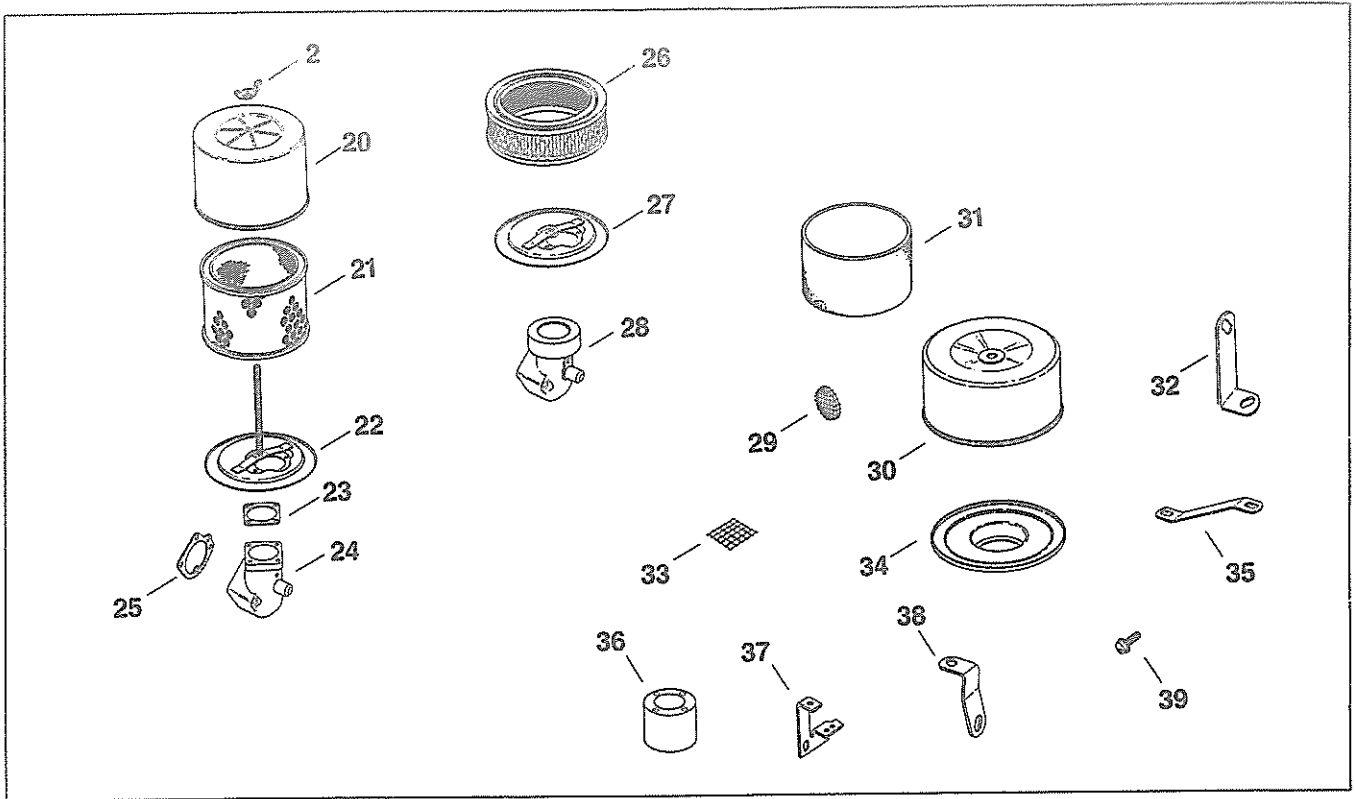
Spec. No. Variation Number

13102A	6	5	4	9	22		39	30	6	4		42	52	23	16	30		14	7	5	9	8		
13104A	6	5	4	9	22		39	30	6	4		42	52	23	16	30		14	7	5	9	8		
13105A	6	5	4	9	22		39	30	6	4		42	52	23	16	30		14	7	5	9	8		
13106A	9	5	5	9	26		39	30	7	4		42	52	10	16	30		14	7	5	9	8		
13107A	9	5	5	9	26		39	30	7	4		42	52	10	16	30		14	7	5	9	8		
13108A	9	5	5	9	27		39	30	7	4		42	52	4	16	30		14	7	5	9	8		
13109A	9	5	5	9	27		39	30	7	4		42	52	4	16	30		14	7	5	9	8		
13110A	30	29	4	9	28		39	30	9	4		38	50	27	16	20		8	7	5	9	7	2	1
13111A	30	29	4	8	28		39	30	9	4		38	50	28	16	20		8	7	5	9	7	2	1
13112A	9	5	5	9	26		39	30	7	4		42	52	10	16	30		14	7	5	9	8		
13113A	9	5	5	9	27		39	30	7	4		42	52	4	16	30		14	7	5	9	8		
13114A	5	28	4	9	22		39	30	6	4		42	49	23	16	30		14	7	5	9	8		
13115A	30	29	4	9	28		39	30	9	4		38	50	27	16	20		8	7	5	9	7	2	1
13116A	30	29	4	8	28		39	30	9	4		38	50	28	16	20		8	7	5	9	7	2	1
13117A	5	28	4	9	22		39	30	6	4		42	49	23	16	30		14	7	5	9	8		
13118A	9	28	5	9	27		39	30	7	4		42	49	4	16	30		14	7	5	9	8		
13119A	9	28	5	9	26		39	30	7	4		42	49	10	16	30		14	7	5	9	8		
13120A	9	28	5	9	27		39	30	7	4		42	49	4	16	30		14	7	5	9	8		
13121A	9	28	5	9	26		39	30	7	4		42	49	10	16	30		14	7	5	9	8		
13122A	5	28	4	9	22		39	30	6	4		42	49	23	16	30		14	7	5	9	8		
13123A	9	28	5	9	27		39	30	7	4		42	49	4	16	30		14	7	5	9	8		
13124A	9	28	5	9	26		39	30	7	4		42	49	10	16	30		14	7	5	9	8		
13125A	5	30	4	9	22		39	30	6	4		49	49	23	16	30		14	7	5	9	8		
13126A	9	30	5	9	27		39	30	7	4		49	49	4	16	30		14	7	5	9	8		
13127A	9	30	5	9	26		39	30	7	4		42	49	10	16	30		14	7	5	9	8		
13128A	5	30	4	9	22		39	30	6	4		49	49	23	16	30		14	7	5	9	8		
13129A	9	30	5	9	27		39	30	7	4		49	49	4	16	30		14	7	5	9	8		
13130A	9	30	5	9	26		39	30	7	4		42	49	10	16	30		14	7	5	9	8		
13131A	5	30	4	9	22		39	30	6	4		49	49	23	16	30		14	7	5	9	8		
13132A	9	30	5	9	27		39	30	7	4		49	49	4	16	30		14	7	5	9	8		
13133A	9	30	5	9	26		39	30	7	4		42	49	10	16	30		14	7	5	9	8		
13134A	5	28	4	9	22		39	30	6	4		42	49	23	16	30		14	7	5	9	8		
13135A	30	29	4	9	28		39	30	9	4		38	50	27	16	20		8	7	5	9	7	2	1
13136A	5	30	4	9	22		39	30	6	4		49	49	23	16	30		14	7	5	9	8	2	1
13140A	30	29	4	9	28		39	30	9	4		38	50	27	16	20		8	7	5	9	7	2	1

K482,532

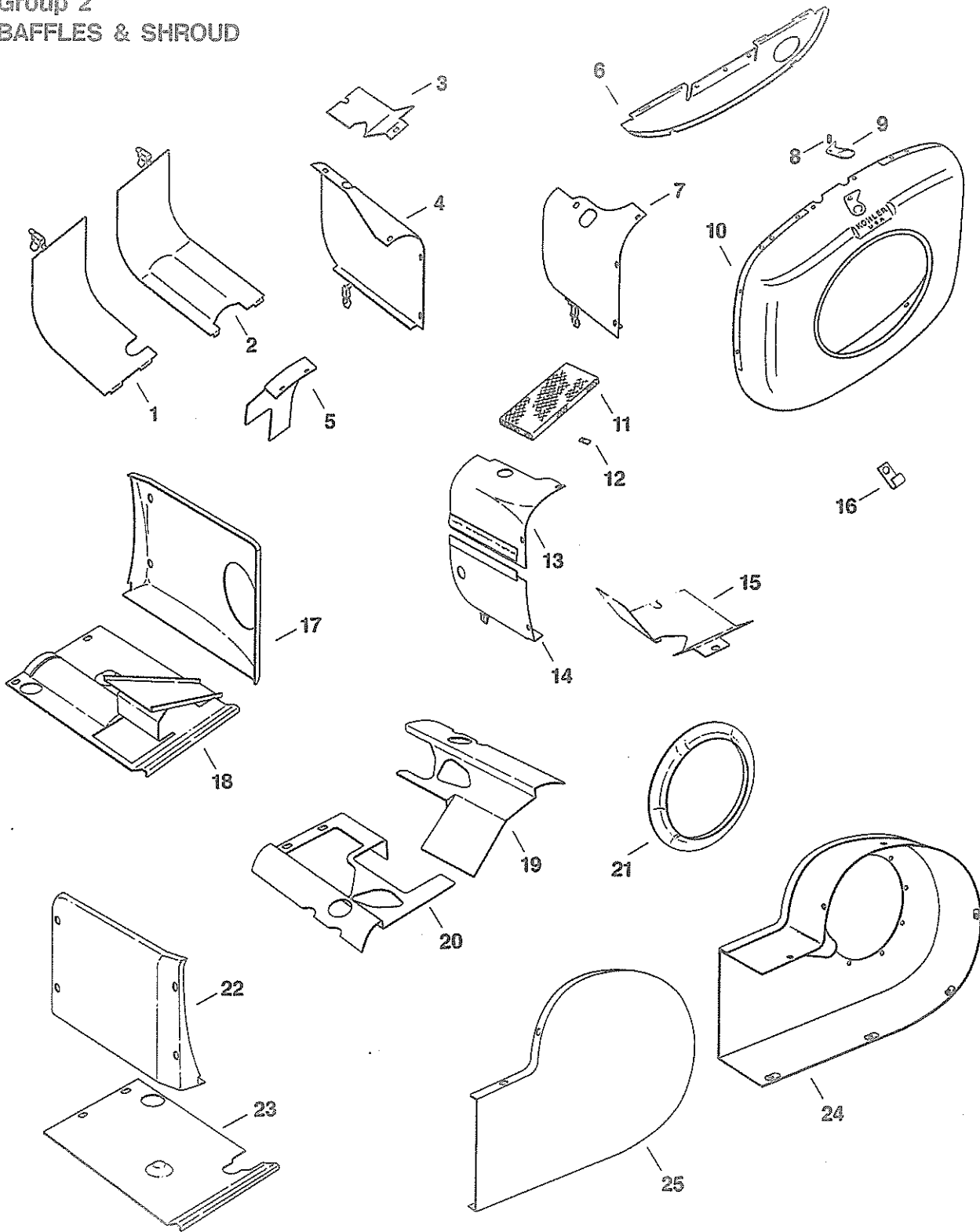


Index Number	Description Variation Number	Part Number	Index Number	Description Variation Number	Part Number
1	Cleaner, air - assembly (Includes 2 - 5) (Replaced by 48 048 02) (Replaced by 48 048 03)		10	Cover, air cleaner 28,33	48 082 01
2	Nut, wing 1/4 - 20" 5,6,7,9,12,14,17,21,22,23, 26,27,28,31,33,600	A-275789	11	Element, air cleaner 28,33	47 083 03
3	Cover, air cleaner (Discontinued not available at Kohler Co.)	X-276-7	12	Base, air cleaner 28,33	48 201 02
4	Element, air cleaner 9	267705	13	Tube, air cleaner 28	41 134 01
5	Base, air cleaner (Discontinued not available at Kohler Co.) (Replaced by 48 048 02) (Replaced by 48 048 03)	267502	14	Seal, cover 28,33	47 032 03
6	Cleaner, air (Discontinued not available at Kohler Co.)	267698	15	Elbow, air cleaner (Discontinued not available at Kohler Co.) 21,22,23	277700
7	Cleaner, air 7	151834	16	Elbow, air cleaner 14,26,27	277456
8	Stud, Cleaner (Discontinued not available at Kohler Co.) 7,12	220314	17	Elbow, air cleaner 12	277319
8	Stud, Cleaner (Discontinued not available at Kohler Co.) 16	277522	18	Elbow, air cleaner (Discontinued not available at Kohler Co.) 7	277336
9	Gasket, air cleaner 12	AC-1787	19	Elbow, air cleaner 8	277396
			20	Cover, air cleaner 5,6,12,14,17,23,26,27,31,32, 600,601	277142
			20	Cover, air cleaner 22	45 082 01
			21	Element, air cleaner 5,6,12,14,17,23,26,27,31,32,600	277138
			21	Element, air cleaner 21,22,30	45 083 02



Index Number	Description Variation Number	Part Number	Index Number	Description Variation Number	Part Number
22	Base, air cleaner 5,6,14,17,23,26,27,31,32,600,601	277071	28	Elbow, air cleaner (Replaced by 48 754 05) 9	48 054 11
22	Base, air cleaner 22	45 094 01	29	Screen (Discontinued not available at Kohler Co.)	48 162 05
22	Base, air cleaner (Discontinued not available at Kohler Co.) 21	277692	30	Cover, air cleaner 16,21,30	235102
23	Gasket, air cleaner 5,6,14,15,16,17,21,22,23,26,27, 28,30,31,32,33,600,601	277093	31	Precleaner, element 21,22	45 083 01
24	Gasket, elbow 5,6,7,8,9,11,14,15,16,17,21,22,23, 26,27,28,30,31,32,33,35,39,45,600	25 041 06	31	Precleaner, element 17,23,26,27,31	277593
25	Elbow, air cleaner (Replaced by 48 754 01) 5,6,11,15,16,17,30,31,32,600	48 054 17	32	Brace, elbow 14,26,27	277457
25	Elbow, air cleaner (Replaced by 48 754 01) 28,33	48 054 01	33	Screen (Discontinued not available at Kohler Co.) 5,6,7,8,9,11,12,14,15,16,17,26, 27,28,32,600	48 162 05
25	Elbow, air cleaner (Replaced by 48 754 06) 45	48 054 15	34	Base, air cleaner 12	235123
25	Elbow, air cleaner (Discontinued not available at Kohler Co.) 39	48 054 09	35	Brace, elbow 5,6,7,8,9,11,16,17,21,22,23,28 30,31,32,33,39,45,600,601	277116
26	Element, air cleaner 16	235116	36	Adapter (Discontinued not available at Kohler Co.) 15	277221
27	Base, air cleaner (Discontinued not available at Kohler Co.) 16,30	277527	37	Support, air cleaner 28	48 529 01
			38	Brace, elbow 12	277318
			39	Screw, F.H.M. #10 - 32 X 5/16" (4)	X-167-2

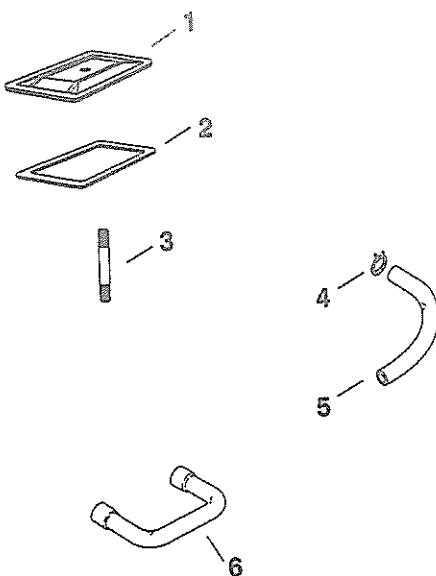
Group 2
BAFFLES & SHROUD



Index Number	Description Variation Number	Part Number	Index Number	Description Variation Number	Part Number
1	Baffle, #1 barrel 3,5,6,7,9,10,11,13,14,15,16, 17,20,21,25,28,29,30,31,33,37,41	277048	10	Housing, blower (Discontinued not available at Kohler Co.) 10,15,16	277229
1	Baffle, #1 barrel (Discontinued not available at Kohler Co.) 19,24	277652	10	Housing, blower (Discontinued not available at Kohler Co.) 11	277423
2	Baffle, #2 barrel 3,7,13,19,20,21,24,31,33,37,41	277168	10	Housing, blower (Replaced by 48 027 11) 27	48 027 04
2	Baffle, #2 barrel 5,6,9,10,14,15,17,25,28,29,30	277138	10	Housing, blower 20,33	48 027 07
2	Baffle, #2 barrel (Discontinued not available at Kohler Co.) 11	277409	10	Housing, blower (Includes 8,9) 9,14,25	A-277525
2	Baffle, #2 barrel (Discontinued not available at Kohler Co.) 16	277578	10	Housing, blower (Includes 8,9) (Discontinued not available at Kohler Co.) 28,29,30	48 095 02
3	Baffle 3,5,6,7,9,10,11,13,17,19,20,21, 24,28,29,30,31,33,37,41	48 063 01	11	Screen 28,29	48 162 06
4	Baffle, #2 cylinder head 3,5,6,9,10,15,16,17,20,24,33,41	48 124 04	12	Brace (2) 28,29	41 120 02
4	Baffle, #2 cylinder head (Discontinued not available at Kohler Co.) 11,19,25,29	277050	13	Baffle, #1 cylinder head (upper) 21	48 124 03
4	Baffle, #2 cylinder head (Discontinued not available at Kohler Co.) 7,13,14	48 124 05	14	Baffle, #1 cylinder head (lower) 21	48 124 02
4	Baffle, #2 cylinder head (Discontinued not available at Kohler Co.) 21,18,30,31,37	48 124 04	15	Baffle (Discontinued not available at Kohler Co.) 14,16	277347
5	Baffle, #1 upper cylinder 3,5,6,7,9,10,11,13,14,15,16,17, 19,20,21,24,25,28,29,30,33,37,41	277054	16	Clip (2) 6,9,10,11,13,14,15,16	231285
6	Baffle, blower housing support 3,7,13,16,17,19,20,21,24,31,33,37, 41	277230	17	Baffle, side cylinder #2 27	48 063 03
6	Baffle, blower housing support (Discontinued not available at Kohler Co.) 5,6,9,10,11,14,15,25,28,29,30	277046	18	Baffle, bottom cylinder #2 27	48 063 04
6	Baffle, blower housing support 27	277058	19	Baffle, top cylinder #2 27	48 063 02
7	Baffle, #1 cylinder head 3,5,6,7,9,10,11,13,14,15,16,17, 19,20,24,25,28,29,30,33,37,41	277051	20	Baffle, top cylinder #1 27	48 063 05
8	Spring, cover (Discontinued not available at Kohler Co.) 9,14,25,28,29,30	270278	21	Baffle, air inlet 9,10,14,15,16,25,28,29,30	275812
9	Cover, timing hole 9,14,25,28,29,30	270175	22	Baffle, side cylinder #1 27	48 063 06
10	Housing, blower 3,5,7,13,17,19,21,24,37	48 027 11	23	Baffle, bottom cylinder #1 27	48 063 07
10	Housing, blower (Discontinued not available at Kohler Co.) 6	277309	24	Scroll 9,10,14,15,16,25	277228
			24	Scroll 28,29,30	48 539 01
			25	Cover, scroll 9,14,15,25,28,29,30	275824
			25	Cover, scroll (Discontinued not available at Kohler Co.) 10,16	277304

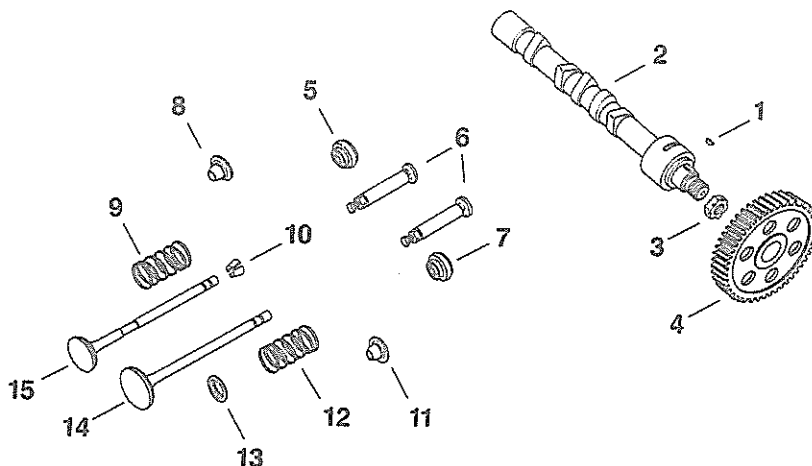
K482,532

**Group 3
BREATHER
& VENT**



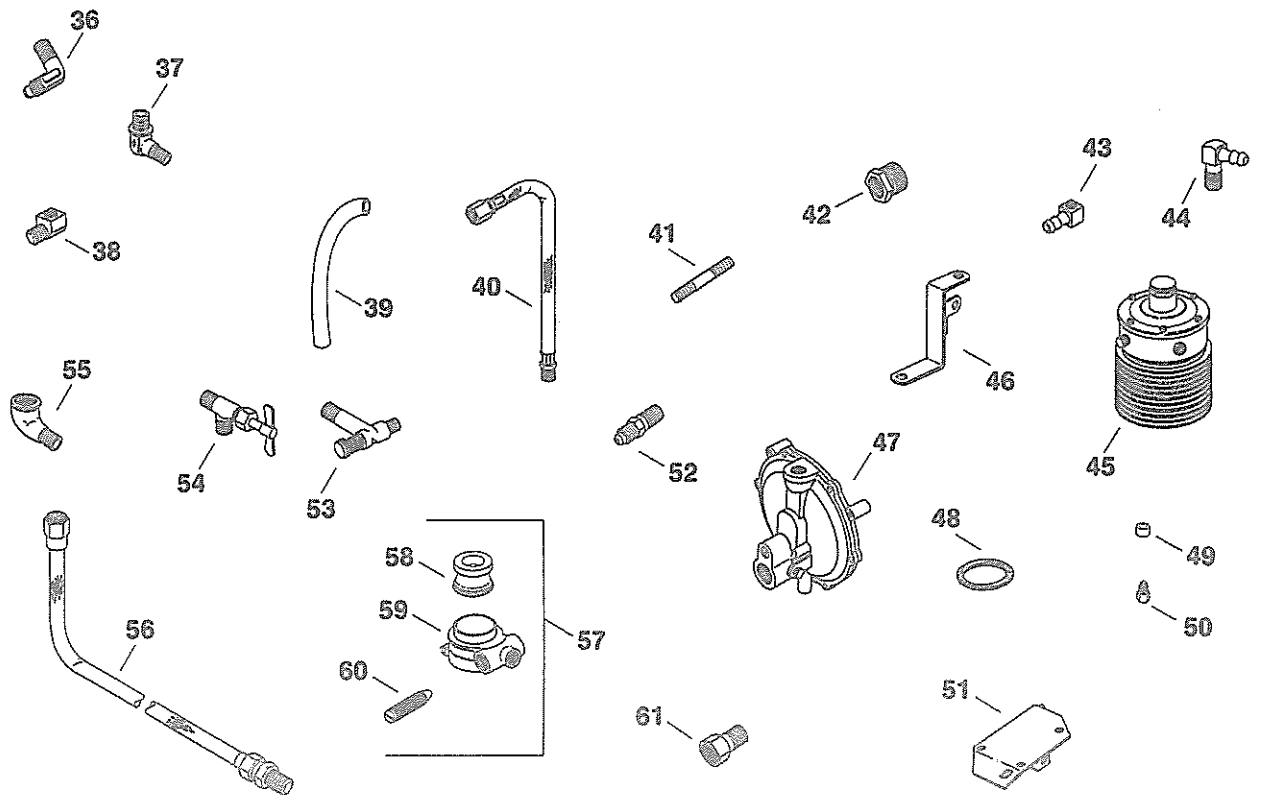
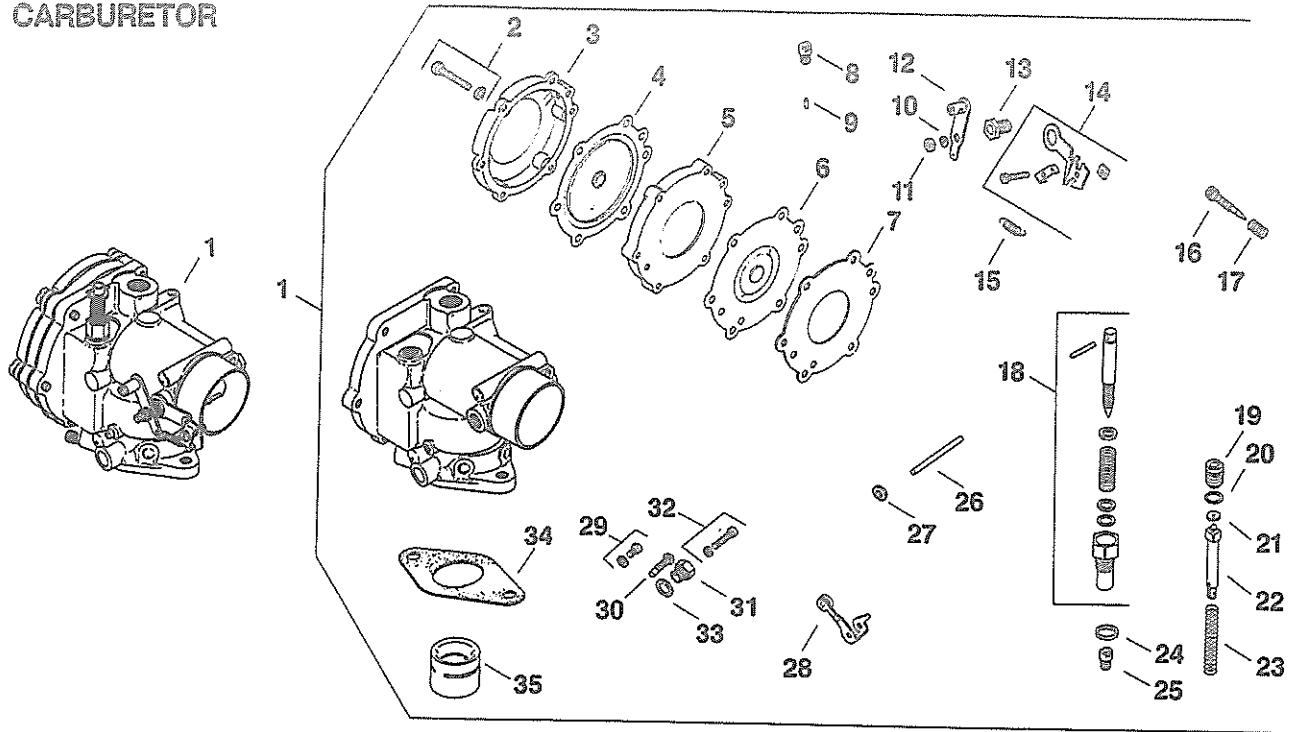
Index Number	Description Variation Number	Part Number	Index Number	Description Variation Number	Part Number
1	Cover, valve (2) 4,5,6,7,8,10	270036	4	Clamp, hose (2) 4,5,6,7,8	X-426-3
2	Gasket, valve cover (2) 4,5,6,7,8,10	270034	4	Clamp, hose 10	
3	Stud, valve cover (2) 4,6,7,8,10	220368	5	Hose, breather 9-1/16" 4,5,7,10	277392
3	Stud, valve cover (2) 1/4 - 20 x 3-1/16" 5	277313	6	Hose, breather 3/16" 6,8	X-484-17

CAMSHAFT & VALVES



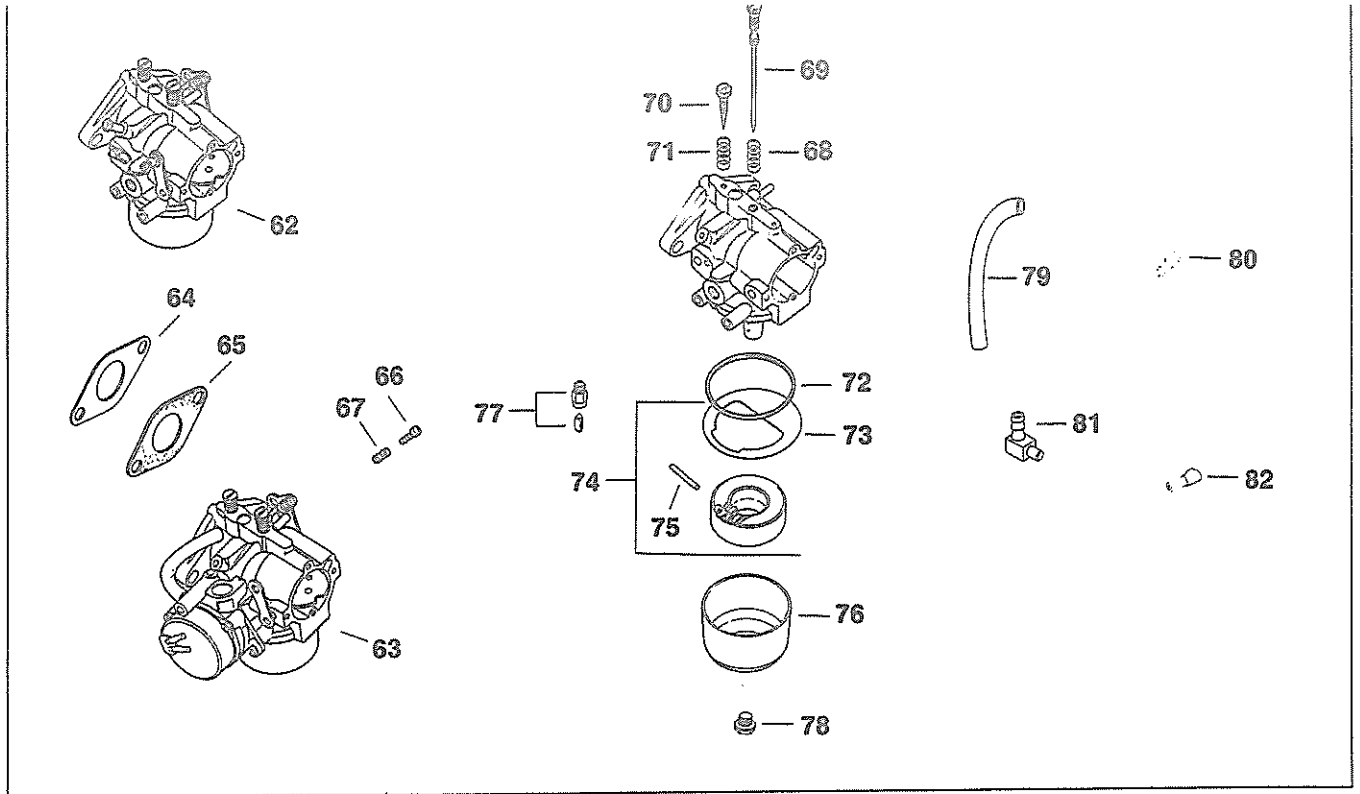
Index Number	Description Variation Number	Part Number	Index Number	Description Variation Number	Part Number
1	Key, woodruff #3 3,4,5,6,8,9,10	X-43-1	10	Kit, retainer 3,4,5,6,8,9,10	41 755 10
2	Camshaft 3,4,5,6,8,9,10	48 012 01	11	Retainer, intake valve spring (2) 3,4,8,9	230011
3	Nut, jam 3/4 - 16 3,4,5,6,8,9,10	X-119-17	12	Spring, intake valve (2) 3,4,8,9	235010
4	Gear, camshaft (Replaced by 48 755 34) 3,4,5,6,8,9,10	277012	12	Spring, intake valve (2) 5,6,10	235168
5	Rotator, exhaust valve spring (2) (Replaced by 52 413 01) 4,5,6,9,10	230020	13	Retainer, valve spring (4) 3,4,5,6,8,9,10	235011
6	Tappet (4) 3,4,5,6,8,9,10	D-277031	14	Valve, intake (2) 3,4,5,8,9	235008
7	Rotator, intake valve spring (2) (Replaced by 52 413 01) 5,6,10	230020	14	Valve, intake (Stellite) (2) 6,10	235582
8	Retainer, exhaust valve spring (2) 3,8	230011	15	Valve, exhaust (2) 3	235826
9	Spring, exhaust valve (2) 3,8	235010	15	Valve, exhaust (2) 8	48 016 01
9	Spring, exhaust valve (2) 4,5,6,9,10	235168	15	Valve, exhaust (Stellite) (2) 4,5,6	235838
			15	Valve, exhaust (2) 9,10	237672

Group 5
CARBURETOR



Index Number	Description Variation Number	Part Number	Index Number	Description Variation Number	Part Number
Note: Also see page 23 and following pages.			20	"O" ring (Discontinued not available at Kohler Co.) 8,10,11	272314
1	Carburetor - assembly (Includes 2-35) 8,11	A-277321	21	Disc., valve (Discontinued not available at Kohler Co.) 8,10,11	277898
1	Carburetor - assembly (Includes 2-35) (Discontinued not available at Kohler Co.) 10	A-277438	22	Valve, fuel 8,11	272069
2	Screw and split washer #10 - 32 (Discontinued not available at Kohler Co.) 8,10,11	277906	22	Valve, fuel (Discontinued not available at Kohler Co.) 10	277897
3	Cover, diaphragm (Discontinued not available at Kohler Co.) 8,11	277487	23	Spring, fuel valve 8,10,11	272071
3	Cover, diaphragm (Discontinued not available at Kohler Co.) 10	277899	24	Washer (Replaced by 277896) 8,10,11	272066
4	Diaphragm, outer 8,10,11	272078	25	Jet, main (Discontinued not available at Kohler Co.) 8,10,11	277895
5	Spacer, diaphragm (Discontinued not available at Kohler Co.) 8,10,11	272077	26	Axel, lever (Replaced by 277896) 8,10,11	272068
6	Diaphragm, inner (Replaced by 277896) 8,10,11	272076	27	Washer (Discontinued not available at Kohler Co.) 8,10,11	A-1578
7	Gasket, diaphragm to body (Replaced by 277896) 8,10,11	272075	28	Lever, diaphragm 8,10,11	272067
8	Screw, set #8-32 8,10,11	272074	29	Plug 8,10,11	272093
9	Plug, nylon (Discontinued not available at Kohler Co.) 8,11	272073	30	Plug, cap (Replaced by 277896) 8,10,11	272064
9	Plug, nylon (Discontinued not available at Kohler Co.) 10	270083	31	Plug 3/8 - 24 8,10,11	272112
10	Washer, split 8,10,11	X-19-1	32	Screw and split washer 8,10,11	277894
11	Nut #8 - 36 8,10,11	271980	33	Washer 8,10,11	A-1579
12	Lever, stamped 8,10,11	272105	34	Gasket, flange 8,10,11	272184
13	Screw, bracket (Discontinued not available at Kohler Co.) 8,10,11	277891	35	Venturi (Discontinued not available at Kohler Co.) 8,10,11	277893
14	Bracket 8,11	272107	36	Elbow, street 90° 3,4,26,27	X-447-5
14	Bracket (Discontinued not available at Kohler Co.) 10	277900	36	Elbow, street 90° 11	X-447-1
15	Spring, return 8,10,11	271982	36	Elbow 8,10,11	X-447-11
16	Needle, idle adjusting (Replaced by 277896) 8,10,11	272081	37	Elbow 15,32	231510
17	Spring (Replaced by 277896) 8,10,11	270702	38	Elbow 28,103	X-555-2
18	Adjustment, jet 8,10,11	272082	39	Line, flexible fuel 5-1/4" (Replaced by 25 353 15) 3,4,26,27	X-810-15
19	Orifice, inlet 8,10,11	272072	40	Line, flexible fuel 12-1/4" 3,4,26,27	235171
			40	Line, flexible fuel 15" (Discontinued not available at Kohler Co.) 8,10	X-446-6

Index Number	Description Variation Number	Part Number	Index Number	Description Variation Number	Part Number
40	Line, fuel 14-1/8" (Discontinued not available at Kohler Co.) 11	277621	50	Coupling (Discontinued not available at Kohler Co.) 28	X-292-1
40	Line, flexible fuel 12-3/16" (Discontinued not available at Kohler Co.) 23	241041	51	Bracket, regulator 3,4,16,23,26,27	277454
41	Stud (2) 1,3,4,14,15,17,18,19,20, 22,23,26,27,28,30,32	X-352-10	52	Connector, hose 2,4,20,22,26	X-391-9
42	Bushing, reducer 1/4 " I.D. x 3/4 O.D. (Discontinued not available at Kohler Co.) 3,4	A-105	53	Needle, valve (Replaced by 221282) 3,4	7027-1
42	Bushing, reducer 3/8 x 1/2" 3,4,26,27	X-202-28	54	Valve, gas 3,4,16,23,26,27	221282
42	Bushing, reducer 1/8 x 3/4" 26,27	X-202-7	55	Elbow (Discontinued not available at Kohler Co.) 8	EH-2248
43	Connector, hose 3,4,16,23,26,27	X-391-4	56	Line, fuel (Discontinued not available at Kohler Co.) 16	X-504-12
44	Connector, hose 1,14,17,18,19,30	25 155 02	57	Adapter, carburetor - assembly (Includes 58-60) 3,4,16,23,26,27	A-236302
45	Vaporizer 8,10,11	48 465 02	58	Body, carburetor adapter (Discontinued not available at Kohler Co.) 3,4,16,23,26,27	270660
46	Brace, vaporizer (Discontinued not available at Kohler Co.) 8,10,11	277314	59	Venturi 3,4,16,23,26,27	270661
47	Regulator, gas (Includes 61) 3,4,16,23,26,27	B-230695	60	Valve, carburetor needle 3,4,16,23,26,27	270662
48	Gasket, adapter 3,4,16,23,26,27	270550	61	Filter 3,4	151377
49	Spacer 1/2" 3,4,16,23,26,27	265372			
49	Spacer 1/4" 3,4,16,23,26,27	X-400-31			

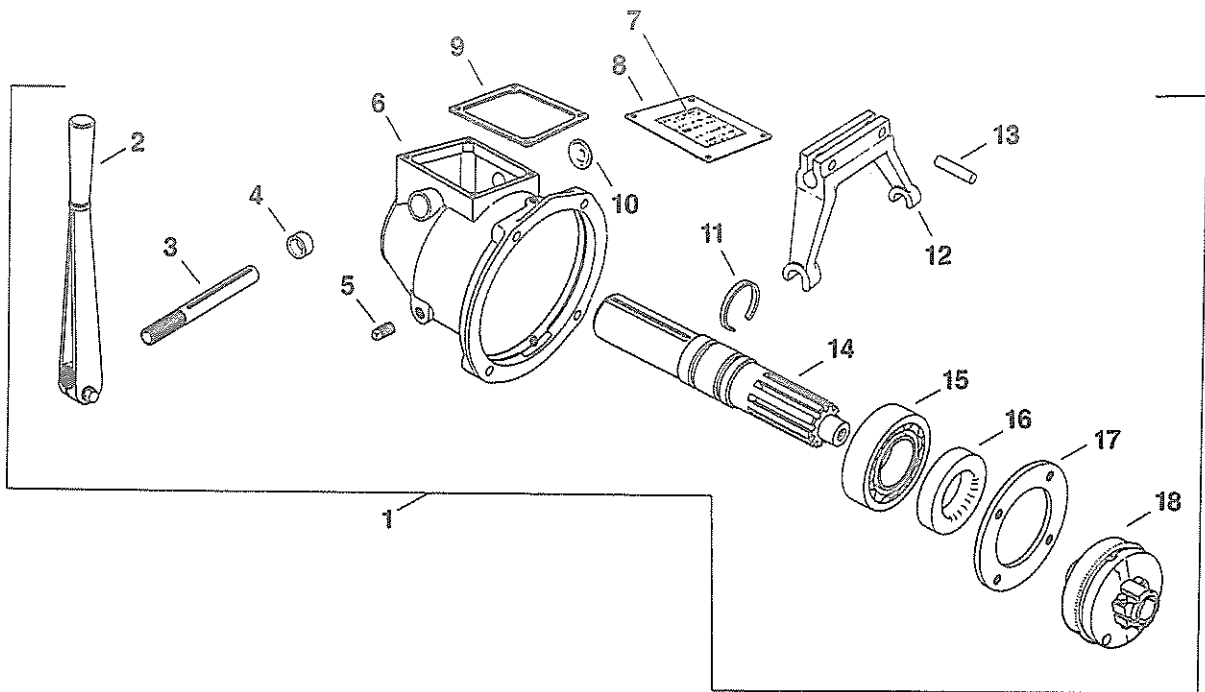


Index Number	Description Variation Number	Part Number	Index Number	Description Variation Number	Part Number
	Note: Order replacement parts according to part no. stamped on carburetor flange.		63	Carburetor assembly (Includes 66-79,82) 4,23	48 053 10
62	Carburetor assembly (Includes 66-78,80) (Replaced by 48 053 07) 1,15,19	C-277061*	63	Carburetor - assembly (Includes 66-79,81) (Replaced by 48 053 09) 2,20	48 053 01*
62	Carburetor assembly (Includes 66-78,80) 1,15,19	48 053 07*	63	Carburetor assembly (Includes 66-79,82) 2,20	48 053 09*
62	Carburetor assembly (Includes 66-78,80,82) (Replaced by 48 053 08) 3,16	A-277373*	63	Carburetor assembly (Includes 66-79,82) (Replaced by 48 053 29) 28	48 053 14*
62	Carburetor assembly (Includes 66-78,80,82) 3,16	48 053 08*	63	Carburetor assembly (Includes 66-78) 28	48 053 29*
62	Carburetor assembly (Includes 66-78) (Replaced by 48 053 12) 14	A-277910*	63	Carburetor - assembly (Includes 66-79,81,82) 22	48 053 03*
62	Carburetor assembly (Includes 66-78) 14	48 053 12*	63	Carburetor - assembly (Includes 66-79,81,82) 26	48 053 05*
62	Carburetor - assembly (Includes 66-78,80,82) 27	48 053 13*	64	Spacer, carburetor flange (2) 10	277439
63	Carburetor assembly (Includes 66-79,81,82) (Replaced by 48 053 10) 4	A-277329*	65	Gasket, carburetor 1,2,3,4,8,11,14,15,16,19, 20,22,23,26,27,28	271030

Index Number	Description Variation Number	Part Number	Index Number	Description Variation Number	Part Number
65	Gasket, carburetor (2) 10	271030	70	Needle, idle fuel adjusting 1,2,3,4,14,15,16,19,20, 22,23, 26,27,28	277210
66	Screw, idle speed adjusting 1,2,3,4,14,15,16,19,20,22,23, 26,27,28,30,32	234945	71	Spring, idle fuel adjusting needle 1,2,14,15,19,20,22,23,26,27,28	200380
67	Spring, idle speed adjusting 1,2,3,4,14,15,16,19,20,22,23, 26,27,28,30,32	200380	71	Spring, idle fuel adjusting needle (Use after serial no. 7059560 with carburetor 48 053 07)	200380
68	Spring, main fuel adjusting needle 1,2,3,4,14,15,16,19,20,23,23, 26,27,28,30,32	200383	71	Spring, idle fuel adjusting needle (Use after serial no. 7128448, with carburetor 48 053 10)	200380
69	Needle, main fuel adjusting (Use before serial no. 6373503, with Carburetor C-277061) (Discontinued not available at Kohler Co.) 1,15,19	277177	71	Spring, idle fuel adjusting needle (Use before serial no. 7059561 with carburetor A-277373)	200383
69	Needle, main fuel adjusting (Use before serial no. 6373503, with carburetor A-277373) (Discontinued not available at Kohler Co.) 14	277177	71	Spring, idle fuel adjusting needle (Use after serial no. 7059560, with carburetor)	200383
69	Needle, main fuel adjusting (Use before serial no. 7030714, with carburetor 48 053 01) (Discontinued not available at Kohler Co.) 2,20	277177	71	Spring, idle fuel adjusting needle (Use before serial no. 7128449, with carburetor A-277329)	200383
69	Needle, main fuel adjusting (Use before serial no. 7059561, with carburetor C-277061) (Discontinued not available at Kohler Co.) 3,16	277177	72	Gasket, fuel bowl 1,2,3,4,14,15,16, 19,20,22,23,26, 27,28	200375
69	Needle, main fuel adjusting (Use before serial no. 7128449, with carburetor A-277329) (Discontinued not available at Kohler Co.) 4	277177	73	Gasket, anti-splash 1,2,3,4,14,15,16,19,20,22,23,26, 27,28	25 041 02
69	Needle, main fuel adjusting 23	47 103 01	74	Kit, Float (Includes 73) 1,2,3,4,14,15,16,19,20,22,23,26, 27,28	25 753 03
69	Needle, main fuel adjusting (Use after serial no. 7128448, with 48 053 10) 4	47 103 01	75	Pin, float hinge 1,2,3,4,14,15,16,19,20, 22,23,26,27,28	200376
69	Needle, main fuel adjusting (Use after serial no. 7030713 with carburetor 48 053 09) 2,20	47 103 01	76	Bowl, fuel 1,2,3,4,14,15,16,19,20,22,23,26, 27,28	235448
69	Needle, main fuel adjusting (Use after serial no. 6373502, with carburetor 48 053 12) 14	47 103 01	77	Needle and seat (Available in carburetor repair kit only)	
69	Needle, main fuel adjusting (Use after serial no. 6373502, with carburetor 48 053 07) 1,15,19	47 103 01	78	Nut, fuel bowl 1,2,3,4,14,15,16,19,20,22, 23,26,27,28	25 041 02
69	Needle, main fuel adjusting (Use after serial no. 7059560, with carburetor 48 053 08) 3,16	47 103 01	79	Line, flexible fuel 3" 2,4,20,22,26	25 353 06
69	Needle, main fuel adjusting 22,26,27,28,103	235415	79	Line, flexible fuel 3" (Use before serial no. 7128448, with carburetor A-277329) 4	25 353 06
			79	Line, flexible 3" (Use with carburetor 48 053 14) 28	25 353 06
			80	Clamp, swivel wire (Replaced by 48 755 10) 1,3,15,16,18,19,27,30	48 237 01
			80	Clamp, swivel wire (Replaced by 48 755 10) 17,32	48 237 01

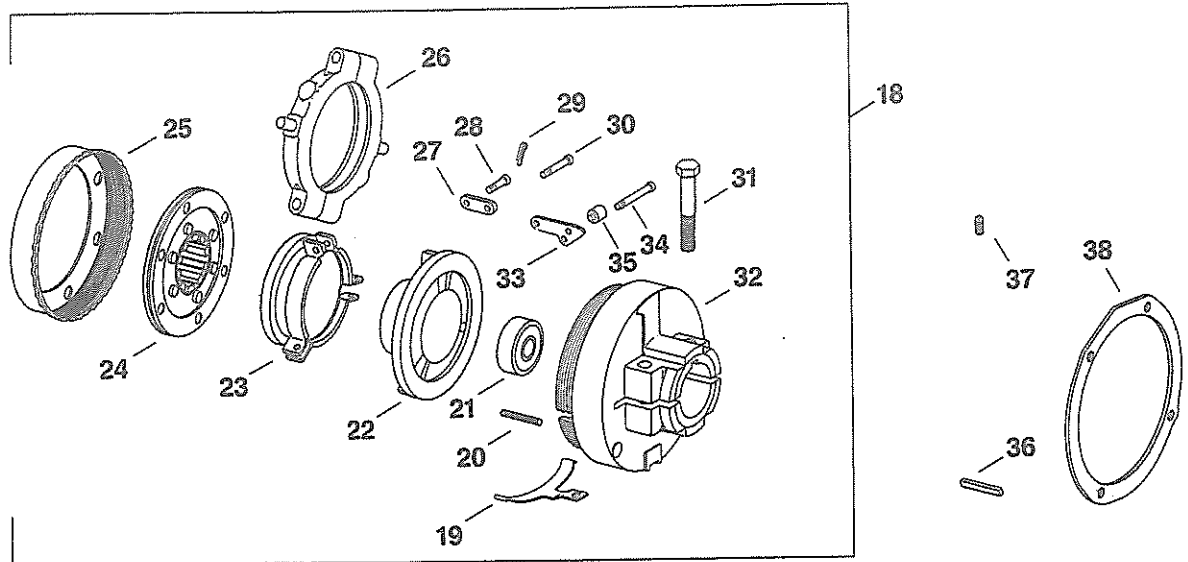
Index Number	Description Variation Number	Part Number	Index Number	Description Variation Number	Part Number
81	Connector 4,22,26	X-391-9		Repair kit, carburetor (Includes bowl nut gasket, bowl ring gasket, float pin, bowl gasket & needle with seat & gasket)	
81	Connector (Use before serial no. 7030714, with carburetor 48 053 01)		22		25 757 01
81	Connector (Use before serial no. 7128448 with carburetor A-277329)	X-391-9		Repair kit, carburetor (Includes bowl nut gasket, bowl ring gasket, float pin, bowl gasket & needle with seat & gasket)	
81	Connector 4	X-391-9	14	(Use before serial no. 6373503), with carburetor A-277910)	25 757 01
82	Body, ball joint 3,4,16,22,23,26,27,28,	45 208 03		Repair kit, carburetor (Includes bowl nut gasket, bowl ring gasket, float pin, bowl gasket & needle with seat & gasket)	
82	Body, ball joint (Use after serial no. 7030713, with carburetor 48 053 09)		23,26,27,28		25 757 02
82	Body, ball joint (Use with carburetor 48 053 14)	45 208 03		Repair kit, carburetor (Includes bowl nut gasket, bowl ring gasket, float pin, bowl gasket & needle with seat & gasket)	
	28	45 208 03		(Use after serial no. 7128448, with carburetor 48 053 10)	
NOT ILLUSTRATED					
	Repair kit, automatic choke (Includes heater housing, pin, gasket, baffle, screws, retainers, link, lever and pin assembly)		4		25 757 02
	(Use after serial no. 6373502)			Repair kit, carburetor (Includes bowl nut gasket, bowl ring gasket, float pin, bowl gasket & needle with seat & gasket)	
	1,14,15,19	277469		(Use after serial no. 6373502, with carburetor 48 053 12)	
	Repair kit, automatic choke (Includes heater housing, pin, gasket, baffle, screws, retainers, link, lever and pin assembly)		14		25 757 02
	2,4,18,20,22,23,26,28	27746		Repair kit, carburetor (Includes bowl nut gasket, bowl ring gasket, float pin, bowl gasket & needle with seat & gasket)	
	Repair kit, carburetor 8,10,11	277896		(Use after serial no. 6373502, with carburetor 48 053 07)	
	Repair kit, carburetor (Includes bowl nut gasket, bowl ring gasket, float pin, bowl gasket & needle with seat & gasket)		1,15,19		25 757 02
	(Use before serial no. 6373503, with carburetor C-277061)			Repair kit, carburetor (Includes bowl nut gasket, bowl ring gasket, float pin, bowl gasket & needle with seat & gasket)	
	1,15,19	25 757 01		(Use after serial no. 7059560, with carburetor 48 053 08)	
	Repair kit, carburetor (Includes bowl nut gasket, bowl ring gasket, float pin, bowl gasket & needle with seat & gasket)		3,16		25 757 02
	(Use before serial no. 7030714, with carburetor 48 053 01)			Repair kit, carburetor (Includes bowl nut gasket, bowl ring gasket, float pin, bowl gasket & needle with seat & gasket)	
	2,20	25 757 01		(Use after serial no. 6373502, with carburetor 48 053 12)	
	Repair kit, carburetor (Includes bowl nut gasket, bowl ring gasket, float pin, bowl gasket & needle with seat & gasket)		14		25 757 02
	(Use before serial no. 7059561, with carburetor A-277373)			Repair kit, carburetor (Includes bowl nut gasket, bowl ring gasket, float pin, bowl gasket & needle with seat & gasket)	
	3,16	25 757 01		(Use after serial no. 7030713, with carburetor 48 053 09)	
	Repair kit, carburetor (Includes bowl nut gasket, bowl ring gasket, float pin, bowl gasket & needle with seat & gasket)		2,20		25 757 02
	(Use before serial no. 7128449, with carburetor A-277329)				
	4	25 757 01			

**Group 6
CLUTCH**



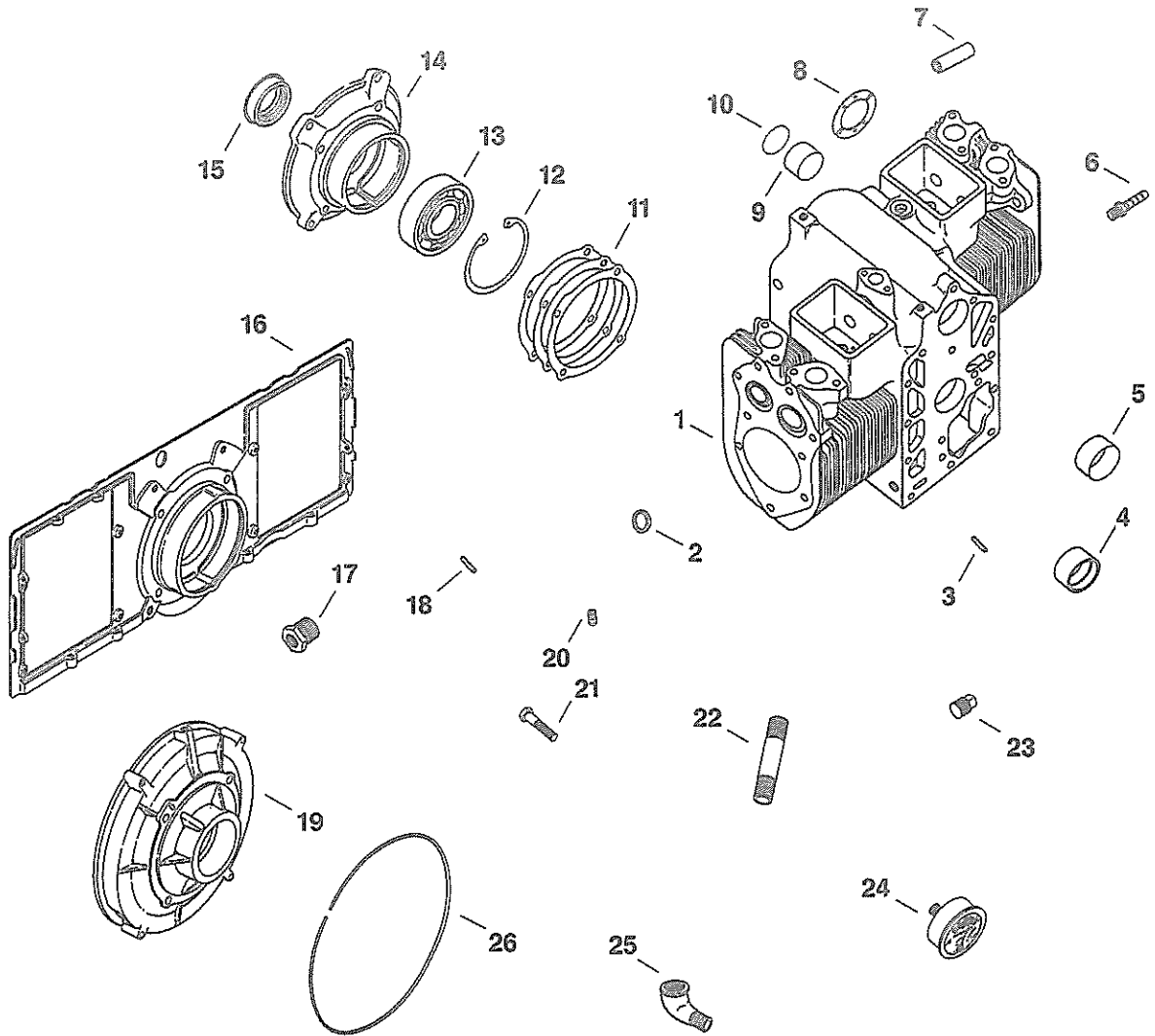
Index Number	Description Variation Number	Part Number	Index Number	Description Variation Number	Part Number
1	Clutch - assembly (Rockford Division part no. 4-10992) (Includes 2 - 18) (Replaced by 48 239 02)		10	Plug, welch 1-1/4 1	X-230-14
1	Clutch - assembly (Rockford Division part no. 4-29982) (Includes 2-16, 18 & 48 141 02)	B-274041*	11	Ring, snap (2) 1	234037
2	Lever, shifting 1	48 239 02*	12	Yoke, clutch 1	A-234027
3	Shaft, yoke 1	A-234026	13	Pin, roll (2) 1	274101
4	Seal, oil 1	274117	14	Shaft, drive 1	234039
5	Plug, pipe 1/4 (2) 1	X-271-19	15	Bearing, ball 1	234035
6	Housing, power take-off (Use with Rockford Division no. 4-10992)	X-75-2	16	Seal, oil 1	234038
6	Housing, power take-off (Use with Rockford Division no. 4-29982)	234074*	17	Plate, bearing retainer (Use with Rockford Division no. 4-10992)	234036*
7	Plate, instruction (Discontinued not available at Kohler Co.)	48 081 03*	18	Clutch - assembly (See pg. 29) (Includes 19 - 35)	A-23407
8	Cover, clutch 1	234089		NOT ILLUSTRATED	
9	Gasket, clutch cover 1	234032		Ring, snap (Use with Rockford Division no. 4-29982)	
		234033		1	48 141 02*

*Note: Order these replacement parts according to the Rockford Division part no. located on the instruction plate of the clutch. For complete clutch replacement use 48 239 02 and order replacement parts accordingly thereafter.



Index Number	Description	Part Number	Index Number	Description	Part Number
19	Lock, adjusting		29	Pin, cotter 1/16 x 3/8 (6)	
	1	234043		1	X-36-4
20	Spring, return (3)		30	Pin, link (long) (3)	
	1	234055		1	234051
21	Bearing, pilot		31	Screw	
	1	234042		(Discontinued not available at Kohler Co.)	
22	Plate, pressure			1	234145
	1	A-234045	32	Housing, clutch	
23	Sleeve, release			1	234041
	1	234054	33	Lever, pressure plate (6)	
24	Member, driven			1	234046
	1	A-234044	34	Pin, lever (3)	
25	Ring, adjusting			1	234047
	1	234056	35	Roller (3)	
26	Bearing, release			1	234048
	1	A-234053	36	Key, square	
27	Link, connecting (6)			1	X-286-8
	1	234050	37	Plug, vent	
28	Pin, link (short) (3)			(Discontinued not available at Kohler Co.)	
	1	234052		1	270219
			38	Gasket, clutch	
				1	274042

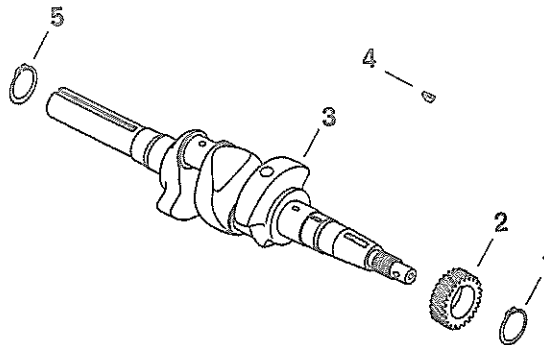
Group 7
CRANKCASE



Index Number	Description Variation Number	Part Number	Index Number	Description Variation Number	Part Number
1	Crankcase - assembly (Includes 2,4,5,7,9) (Discontinued not available at Kohler Co.) (Replaced by 48 005 04) 5,6,7,9,10,14,15,17,19,23,200	A-277118	2	Insert, valve (2) 18,20,24,25,26,30,39,40,42,64,48, 201	230265
1	Crankcase - assembly (Includes 2,7) 18,20,24,26,30,40,42,48,64	48 005 05	3	Pin (2) ALL (except 26,30)	X-599-2
1	Crankcase - assembly (Includes 2,4,5,7,9) 25,201	48 005 02	4	Bearing, crankshaft 5,6,15,17,18,19,20,23,24,26,30, 40,42,200,201	48 030 03
1	Crankcase - assembly (Includes 2,4,5,7,9) 39	48 005 06	4	Bearing, crankshaft .010 U.S. 5,6,7,9,10,14,15,17,18,19,20,23, 24,25,26,30,39,40,42,64,200,201	48 030 04
2	Insert, valve (2) 5,6,7,9,10,14,15,17,19,23,39,200	230170	4	Bearing, crankshaft .020 U.S. 5,6,7,9,10,14,15,17,18,19,20,23, 24,25,26,30,39,40,42,64,200,201	48 030 05
			4	Bearing, crankshaft (2) 7,9,10,14,,25,39,42,64	48 030 06

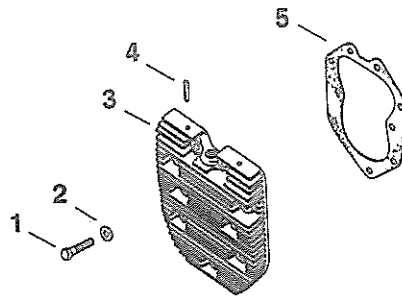
Index Number	Description Variation Number	Part Number	Index Number	Description Variation Number	Part Number
5	Bushing, front camshaft ALL	277038	16	Plate, rear closure 30	48 009 05
6	Connector, hose 17,20	X-380-1	17	Bushing, reducer 17	X-202-7
7	Guide, valve (4) ALL	235007-S	18	Pin, drive lock (4) 7,9,10,14,15,25,39	277134
8	Washer, thrust (2) 7,9,10,14,15,25,39	277121	19	Bracket, generator support 7,15,39	277263
9	Bushing, rear camshaft ALL	277039	20	Plug, pipe 1/8" (3) 5,6,15,17,18,24,201	X-75-23
10	Plug, welch 1-1/2 ALL	160037	20	Plug, pipe 1/8" (4) 7,9,10,19,20,23,25,30,40,42,200	X-75-23
11	Gasket, closure plate 5,6,7,9,10,14,15,17,18,19,20,23, 24,25,26,30,39,40,42,48,64,200, 201	277087	20	Plug, pipe 1/8" (5) 14,64	X-75-23
11	Gasket, closure plate .005 (A.R.) 7,9,10,14,15,25,39,42	277103	20	Plug, pipe 1/8" (6) 39	X-75-23
11	Gasket, closure plate .010 (A.R.) 7,9,10,14,15,25,39,42	277115	20	Plug, pipe 3/4" 5,7,9,10,14,15,17,18,19,20, 23,24,25,39,40,42,64,200,201	47 139 01
12	Ring, retaining 4-23/64" O.D. 5,6,17,18,19,20,23,24,30,40,48,42, 64,200,201	X-269-31	20	Plug, pipe 3/4" (2) 30	47 139 01
13	Bearing, ball 5,6,17,18,19,20,23,24,26,30,40,42, 48,64,200,201	277062	21	Screw, hex. hd. 3/8 -16 x 1-1/4" (4) 5,6,7,9,10,15,17,18,19,20,23,24, 25,26,38,40,42,46,48,49,51,200, 201	270956
14	Plate, rear closure 5,6,17,18,19,20,26,40,48	48 009 01	22	Nipple 39	47 136 02
14	Plate, rear closure 9,14	277006	23	Bushing, reducer 20,51	48 158 01
14	Plate, rear closure 10,25	277199	23	Bushing, reducer 42	48 158 02
14	Plate, rear closure 42,200,201	48 009 11	24	Gauge, oil pressure 7,39	240981
14	Plate, rear closure 23,24	48 009 03	25	Elbow 20,25,30,40,42,64	48 283 03
14	Plate, rear closure 64	48 009 15	26	Guard, generator fan 7,15,39	241122
15	Seal, rear oil ALL (except 46)	277065			

CRANKSHAFT



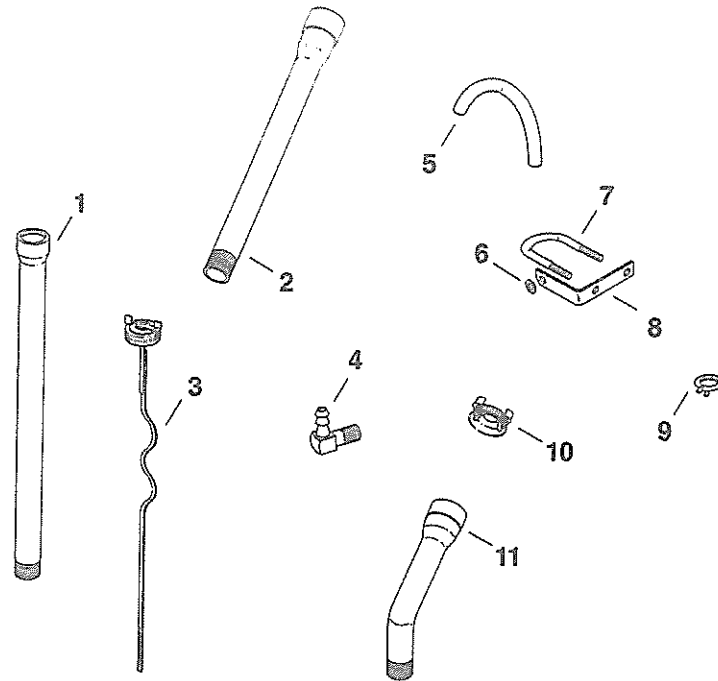
Index Number	Description Variation Number	Part Number	Index Number	Description Variation Number	Part Number
1	Ring, retaining 1-7/16 " I.D. ALL	X-269-32	3	Crankshaft (Discontinued not available at Kohler Co.)	
2	Gear, crankshaft ALL	48 043 15	27		277912
3	Crankshaft (Pump) (Discontinued not available at Kohler Co.)		3	Crankshaft (Discontinued not available at Kohler Co.)	
	2	277004	28		277638
3	Crankshaft (Discontinued not available at Kohler Co.)		3	Crankshaft (Discontinued not available at Kohler Co.)	
	3	277335	29		277690
3	Crankshaft (Generator Set) (Discontinued not available at Kohler Co.)		3	Crankshaft (Generator Set)	
	5	277145	30		277696
3	Crankshaft (Clutch) 8,14	277200	3	Crankshaft (Standard-tapped)	
3	Crankshaft (Standard-tapped) 11	277360	31		48 014 01
3	Crankshaft (Discontinued not available at Kohler Co.)		3	Crankshaft (Clutch)	
	12	277433	32		48 014 02
3	Crankshaft (Discontinued not available at Kohler Co.)		3	Crankshaft	
	15,21	277531	39		48 014 05
3	Crankshaft (Discontinued not available at Kohler Co.)		3	Crankshaft	
	17	277465	40		48 014 06
3	Crankshaft 24	277659	3	Crankshaft	
3	Crankshaft (Standard) (Replaced by 48 014 01)		3	Crankshaft	
	25	277624	41		48 014 11
			3	Crankshaft (Discontinued not available at Kohler Co.)	
			53		48 014 13
			3	Crankshaft (Discontinued not available at Kohler Co.)	
			57,		48 014 20
			3	Crankshaft (Discontinued not available at Kohler Co.)	
			4	Key, woodruff	
			ALL (except 53)		X-42-15
			5	Ring, retaining 1-5/8" I.D. 3,4,11,13,17,21,24,25,27, 28,29,31,39,40,41,53,57,59	X-269-30

Group 9
CYLINDER HEAD



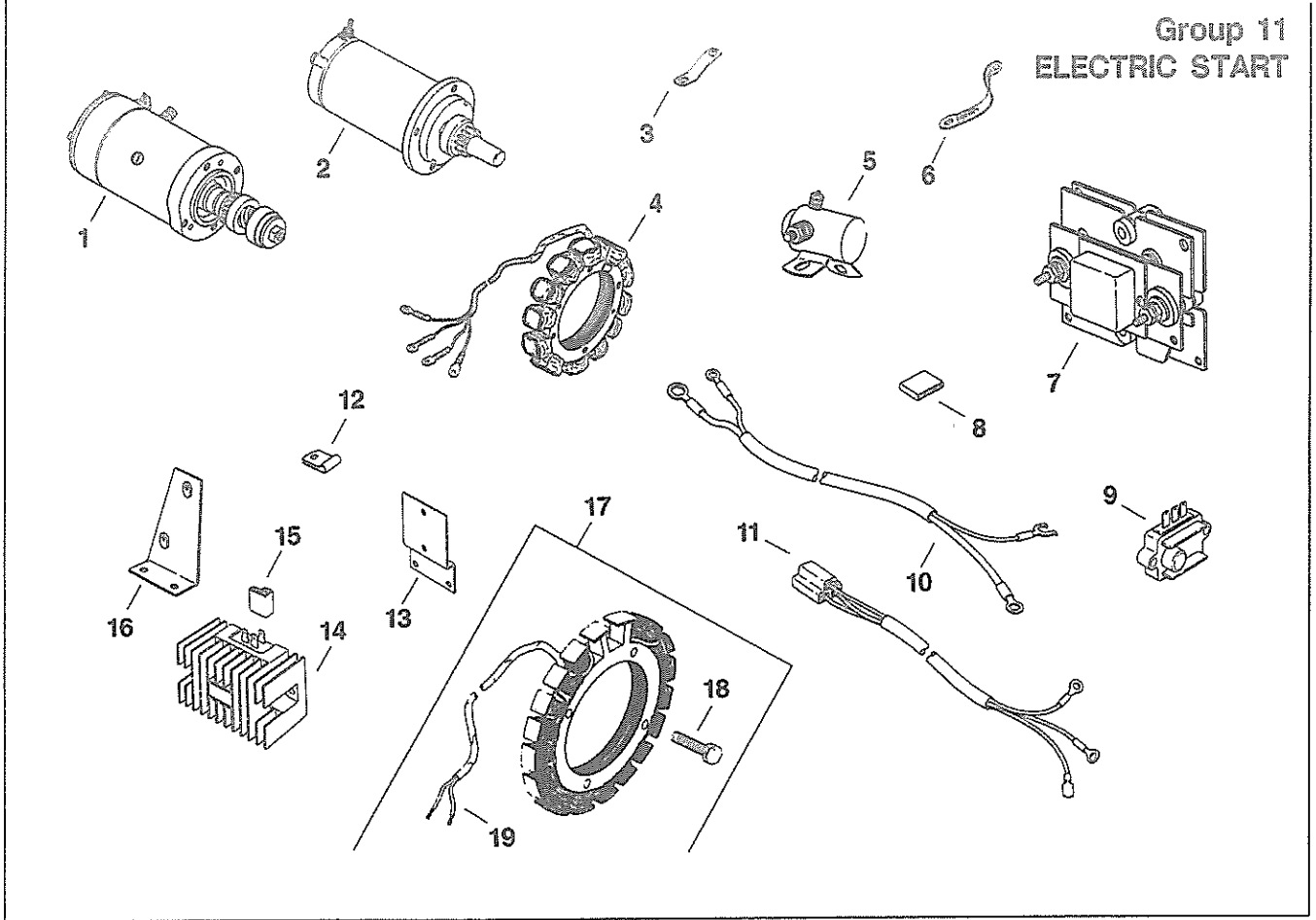
Index Number	Description Variation Number	Part Number	Index Number	Description Variation Number	Part Number
1	Screw, hex. hd. 3/8 - 16 x 1-1/2" (18) 1,3,6,7,8	270158	2	Washer 3/8" (19) 2,9	270889
1	Screw, hex. hd. 3/8 - 16 x 1-1/2" (17) 2,9	270158	3	Head, cylinder (2) (Replaced by 48 015 02) 1,2,6,8,9	277043
1	Screw, hex. hd. 3/8 - 16 x 1-15/16" 2,9	272427	3	Head, cylinder (2) 3	277377
2	Washer 3/8" (18) 1,3,6,8	270889	4	Pin, roll 3/16 x 1-1/8" (2) 1,2,3,6,9	X-280-13
			5	Gasket, cylinder head (2) (Replaced by 48 041 10) 1,2,3,6,8,9	48 052 01

**Group 10
DIPSTICK**



Index Number	Description Variation Number	Part Number	Index Number	Description Variation Number	Part Number
1	Tube, dipstick 9-5/8" 4,22,23	271829	4	Connector 5,21	25 155 02
1	Tube, dipstick 17-1/2" 5,21	277403	5	Line, fuel 7" (Replaced by 25 353 14) 5,21	X-810-16
2	Tube, dipstick 11-5/8" 8	271825	6	Spacer 5,21	X-400-64
2	Tube, dipstick 14-15/16" 9,10	48 538 01	7	Bolt, "U" 5,21	X-397-6
3	Dipstick 12-1/4" blade 4,22,23	277357	8	Bracket, dipstick tube 5,21	48 126 10
3	Dipstick 16-1/2" blade 5,21	277401	9	Clamp, hose (2) 5,21	X-426-9
3	Dipstick 14-1/4" blade 8	277668	10	Cap, oil fill 21,22,23	277442
3	Dipstick 15-3/4" blade 9	48 272 02	11	Tube, oil fill 21,22,23	277140
3	Dipstick 15-11/32" blade 10	48 272 01			

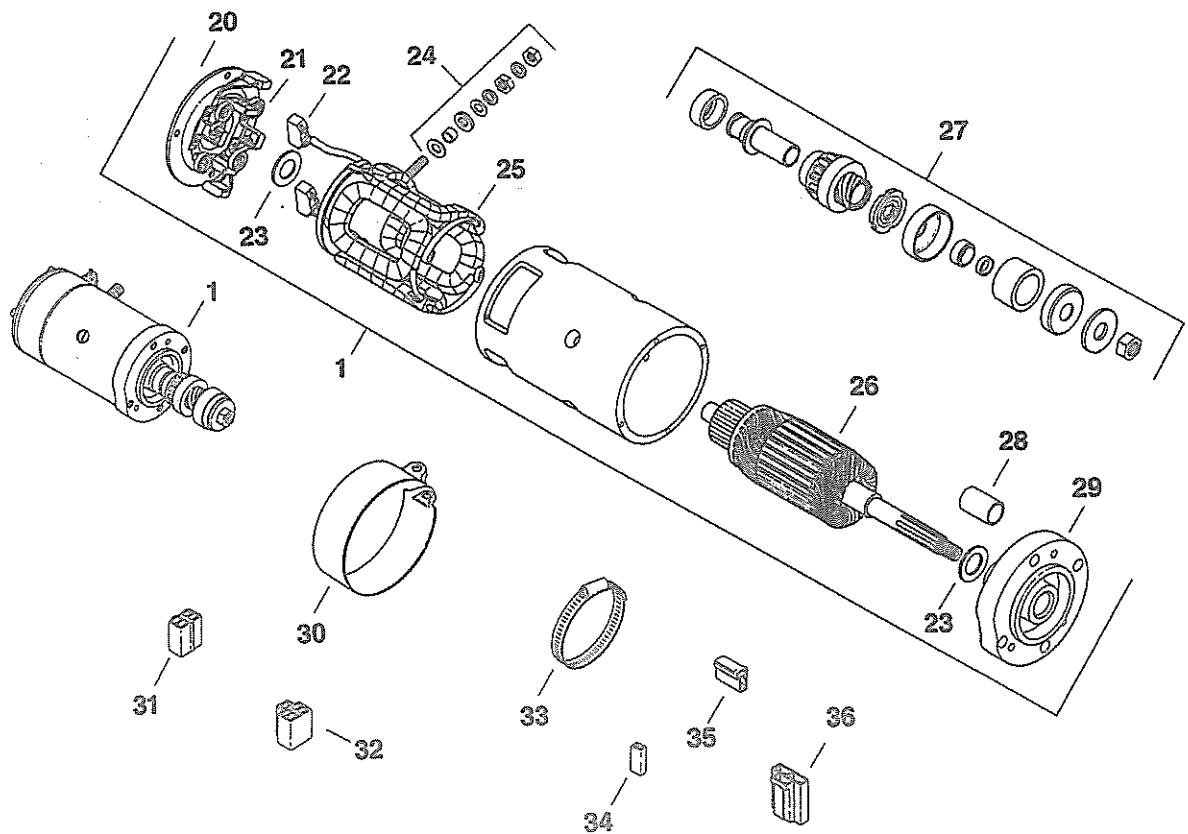
**Group 11
ELECTRIC START**



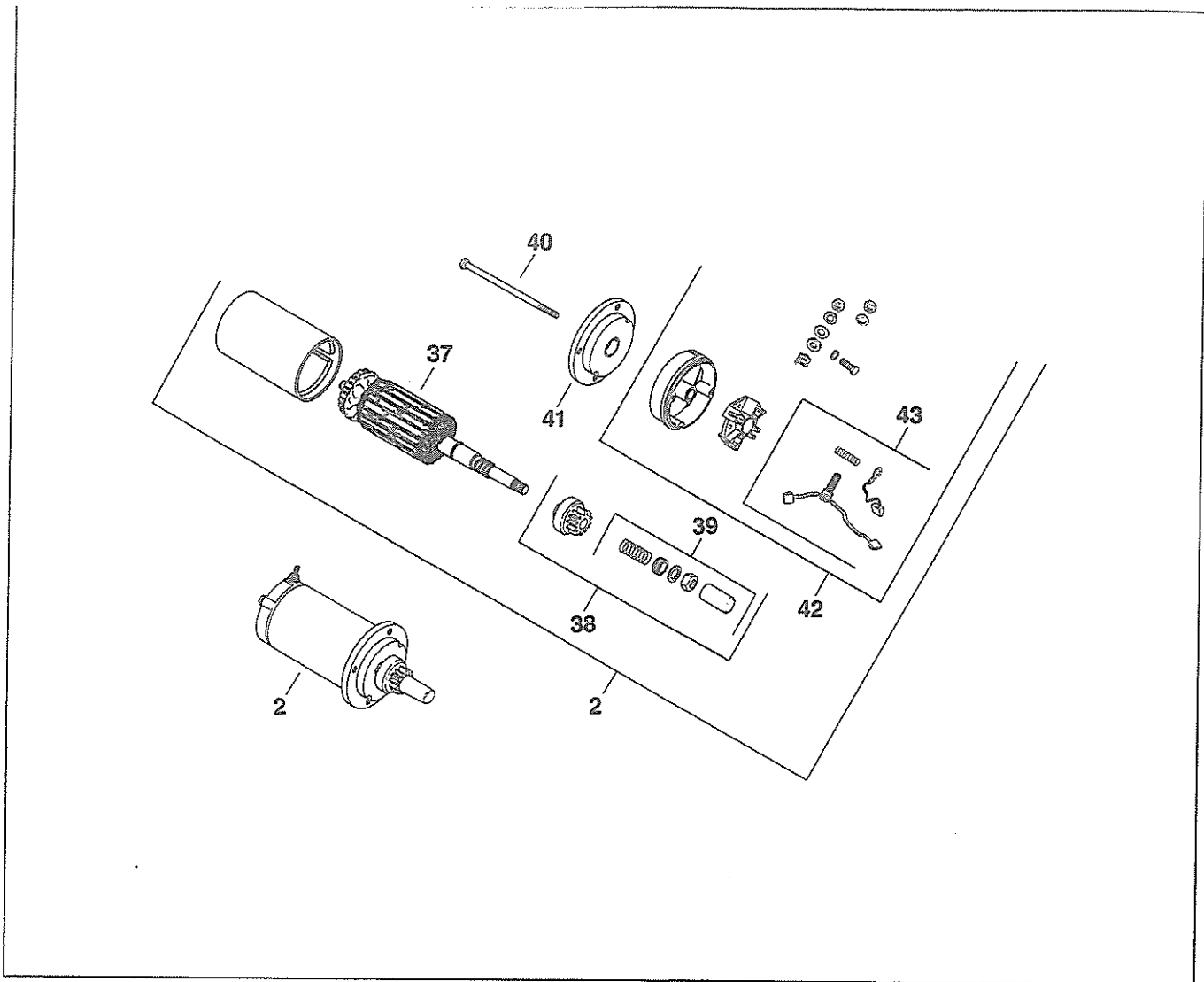
Index Number	Description Variation Number	Part Number	Index Number	Description Variation Number	Part Number
1	Starter - assembly (See pg.34) (Includes 20-30) (Use before serial no. 4216126) (Discontinued not available at Kohler Co.) (For complete starter replacement use Starter kit A-277214-S, before serial no. 4216126) (Use 48 098 02 after serial no. 4216125) 4, 8, 9, 13, 14, 15, 16, 18, 19, 20, 21, 22, 24, 26, 27, 28, 29, 32, 36, 40, 45, 48, 50, 51, 52, 53, 54, 55	A-277214	6	Strap, lead (Discontinued not available at Kohler Co.) 9, 24	200521
2	Starter - assembly (See pg.36) (Includes 37-43) (Use after serial no. 421625) 4, 8, 9, 13, 14, 15, 16, 18, 19, 20, 21, 22, 24, 26, 27, 28, 29, 32, 36, 40, 45, 47, 48, 50, 51, 52, 53, 54, 65	48 098 02	7	Regulator (30 Amp) 4, 8, 13, 14, 15, 16, 18, 19, 20, 22, 24, 28, 50, 51, 53	277064
3	Strap, lead (Discontinued not available at Kohler Co.) 15, 16	277196	8	Connector 36, 48, 65	236602
4	Stator, alternator (30 Amp) 4, 8, 13, 14, 15, 16, 18, 19, 20, 22, 24, 28, 47, 50, 51, 53	277063	9	Rectifier-regulator (15 Amp) (Replaced by 25 755 03) 36, 38, 39, 48, 65	41 403 05
5	Solenoid (Replaced by 48 217 04) 4, 8, 9, 13, 14, 15, 16, 18, 20, 22, 24, 26, 27, 28, 32, 33, 40, 50, 51, 52, 53	243823	10	Lead (Discontinued not available at Kohler Co.) 4, 8, 14, 20, 24, 26, 50, 51	48 518 01
			10	Lead (Discontinued not available at Kohler Co.) 15	277601
			11	Lead (Discontinued not available at Kohler Co.) 50, 51, 53	A-277569
			11	Lead (Discontinued not available at Kohler Co.) 15, 24	A-277555
			12	Clip cable (plastic coated) 8, 15, 18, 24, 29	270154

Index Number	Description Variation Number	Part Number	Index Number	Description Variation Number	Part Number
12	Clip, cable (plastic coated) (2) 4, 14, 19, 20, 21, 22, 26, 27, 32, 33, 36, 40, 45, 48, 52, 55, 65	270154	15	Connector 21, 26, 27, 29, 32, 33, 40, 45, 52, 55	237429
12	Clip, cable 8, 15, 18, 24	X-672-7	16	Bracket, voltage regulator 13, 14, 20, 22, 27, 28, 32, 50, 51, 52, 53	277407
12	Clip, cable (2) 13, 16, 28, 47, 50, 51, 53	X-672-7	17	Kit, stator (15 Amp) (Includes 18, 19) 21, 26, 27, 29, 32, 33, 36, 38, 39, 40, 45, 48, 52, 55, 65	237878
13	Bracket, solenoid 4, 8, 9, 14, 18, 20, 24, 26, 28, 32, 33, 40, 45, 47, 50, 51, 52, 53	48 126 15	18	Screw, hex. hd. 10 - 24 x 3/4 13, 21, 26, 27, 29, 32, 33, 36, 40, 45, 48	X-67-51
13	Bracket, solenoid (Discontinued not available at Kohler Co.) 54, 47	48 217 01	19	Terminal (2) 21, 26, 27, 29, 32, 36, 40, 45, 52	25 452 01
14	Rectifier-regulator (15 Amp) (Replaced by 41 403 06) 21, 26, 27, 29, 32, 33, 40, 45, 52	237335			

**ELECTRIC START
(Cont'd)**



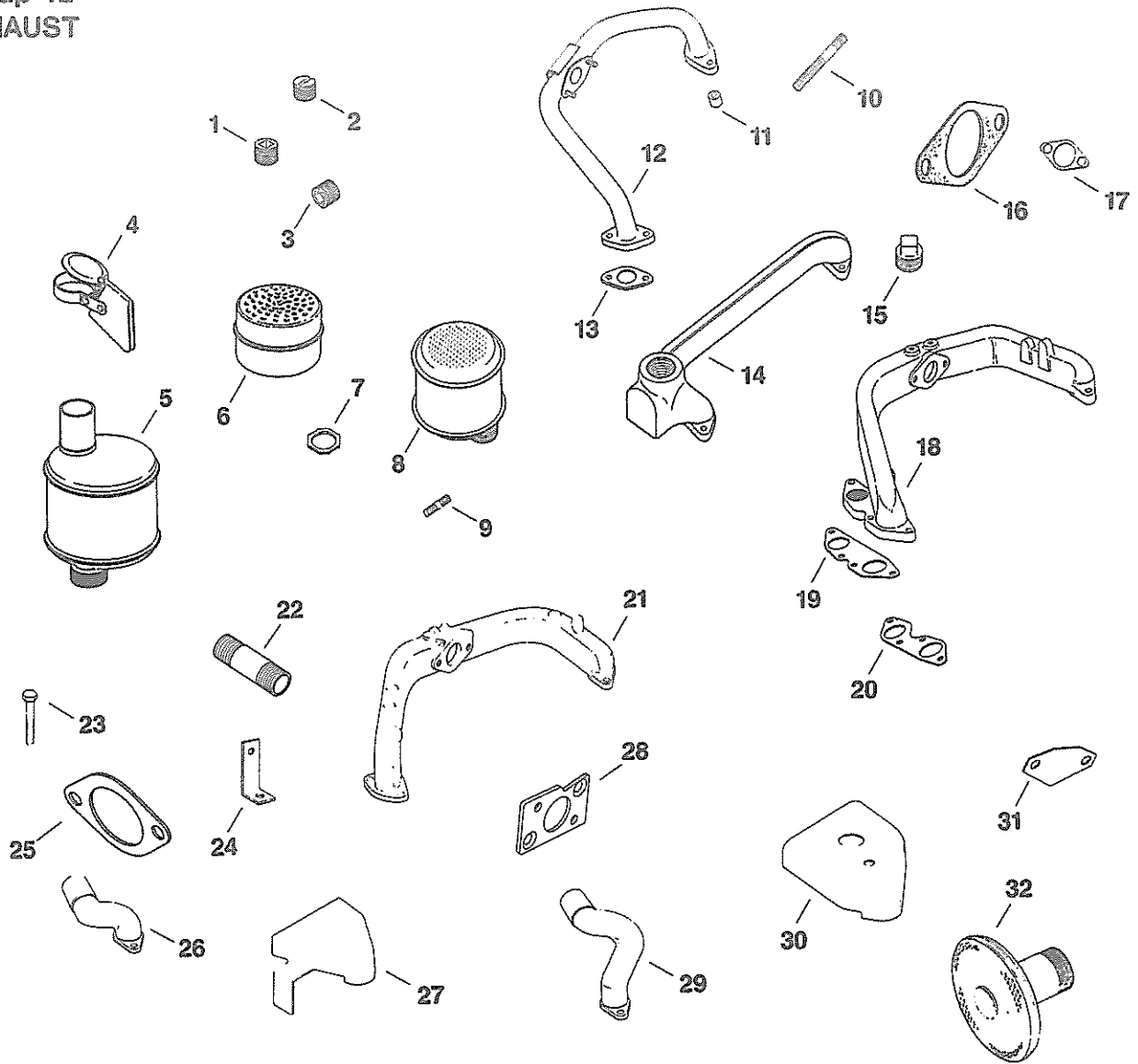
Index Number	Description Variation Number	Part Number	Index Number	Description Variation Number	Part Number
20	Head C.E. 4,8,9,13,14,15,16,18,19,20,21,22, 24,26,27,28,29,32,36,40,45,47,48, 50,51,52,53,54,55	277158	28	Bearing, ABS bronze 4,8,9,13,14,15,16,18,19,20,21,22, 24,26,27,28,29,32,36,40,45,47,48, 50,51,52,53,54,55	230626
21	Spring, brush - set 4,8,9,13,14,15,16,18,19,20,21,22, 24,26,27,28,29,32,36,40,45,47,48, 50,51,52,53,54,55	277160	29	Head D.E. (Discontinued not available at Kohler Co.) 4,8,9,13,14,15,16,18,19,20,21,22, 24,26,27,28,29,32,36,40,45,47,48, 50,51,52,53,54,55	277169
22	Brush - set 4,8,9,13,14,15,16,18,19,20,21,22, 24,26,27,28,29,32,36,40,45,47,48, 50,51,52,53,54,55	277170	30	Band, cover (Discontinued not available at Kohler Co.) 4,8,9,13,14,15,16,18,19,20,21,22, 24,26,27,28,29,32,36,40,45,47,48, 50,51,52,53,54,55	277156
23	Washer, thrust - package (Discontinued not available at Kohler Co.) 4,8,9,13,14,15,16,18,19,20,21,22, 24,26,27,28,29,32,36,40,45,47,48, 50,51,52,53,54,55	277353	31	Block, terminal (Use A-277555 prior to serial no. 5359407) (Discontinued not available at Kohler Co.) 33	277551
24	Stud, terminal - package (Discontinued not available at Kohler Co.) 4,8,9,13,14,15,16,18,19,20,21,22, 24,26,27,28,29,32,36,40,45,47,48, 50,51,52,53,54,55	277352	32	Block, terminal (Use A-277555 prior to serial no. 5359407) 33	48 155 01
25	Coil, field - package 4,8,9,13,14,15,16,18,19,20,21,22, 24,26,27,28,29,32,36,40,45,47,48, 50,51,52,53,54,55	277159	33	Clamp, hose (Discontinued not available at Kohler Co.) 24	X-426-2
26	Armature 4,8,9,13,14,15,16,18,19,20,21,22, 24,26,27,28,29,32,36,40,45,47,48, 50,51,52,53,54,55	277350	34	Block, terminal (Use A-277555 prior to serial no. 5359407) 33,65	277563
27	Drive, Bendix (Replaced by A-277214-S) 4,8,9,13,14,15,16,18,19,20,21,22, 24,26,27,28,29,32,36,40,45,47,48, 50,51,52,53,54,55	277351	35	Connector 21	48 155 02
			36	Block, terminal 50,51,52,53	236473



Index Number	Description Variation Number	Part Number	Index Number	Description Variation Number	Part Number
37	Armature 4,8,9,13,14,15,16,18,19,20,21,22, 24,26,27,28,29,32,36,40,45,47,48, 50,51,52,53,54,55,65	277605	42	Cap, commutator end (Included 43) 4,8,9,13,14,15,16,18,19,20,21,22, 24,26,27,28,29,32,36,40,45,47,48, 50,51,52,53,54,55,65	48 227 04
38	Kit, drive (Includes 39) 4,8,9,13,14,15,16,18,19,20,21,22, 24,26,27,28,29,32,36,40,45,47,48, 50,51,52,53,54,55,65	48 755 02	43	Kit, brush and spring (Replaced by 52 755 15) 4,8,9,13,14,15,16,18,19,20,21,22, 24,26,27,28,29,32,36,40,45,47,48, 50,51,52,53,54,55,65	48 755 15
39	Kit, drive parts 4,8,9,13,14,15,16,18,19,20,21,22, 24,26,27,28,29,32,36,40,45,47,48, 50,51,52,53,54,55,65	48 755 13	NOT ILLUSTRATED		
40	Bolt, thru (2) 4,8,9,13,14,15,16,18,19,20,21,22, 24,26,27,28,29,32,36,40,45,47,48, 50,51,52,53,54,55,65	48 211 01	Kit, starter assembly (Use for complete starter replacement before serial no. 4216126) 4,8,9,13,14,15,16,18,19,20,21,22, 24,26,27,28,29,32,36,40,45,48,50 51,52,53,54,55		
41	Cap, drive end 4,8,9,13,14,15,16,18,19,20,21,22, 24,26,27,28,29,32,36,40,45,47,48, 50,51,52,53,54,55,65	48 227 03	A-277214-S		

Index Number	Description Variation Number	Part Number	Index Number	Description Variation Number	Part Number
NOT ILLUSTRATED (cont'd)				Kit, low tension lead (40" - 14 gauge) (Discontinued not available at Kohler Co.)	238054
NOTE: Use 14 gauge leads for all low tension circuit wiring except use 6 gauge wherever battery current is present and 10 gauge between ammeter to generator or to start switch. Low tension leads are available only in "multi-use" kit form. Each kit includes an assortment of terminals plus a length of wire which is cut to match the length of the lead being replaced. The available low tension lead kits are:				Kit low tension lead (25" - 16 gauge)	238058
	Kit, low tension lead (20" - 6 gauge)	238056		Kit, low tension lead (25" - 18 gauge) (Discontinued not available at Kohler Co.)	238060
	Kit, low tension lead (30" - 10 gauge) (Discontinued not available at Kohler Co.)	238055			

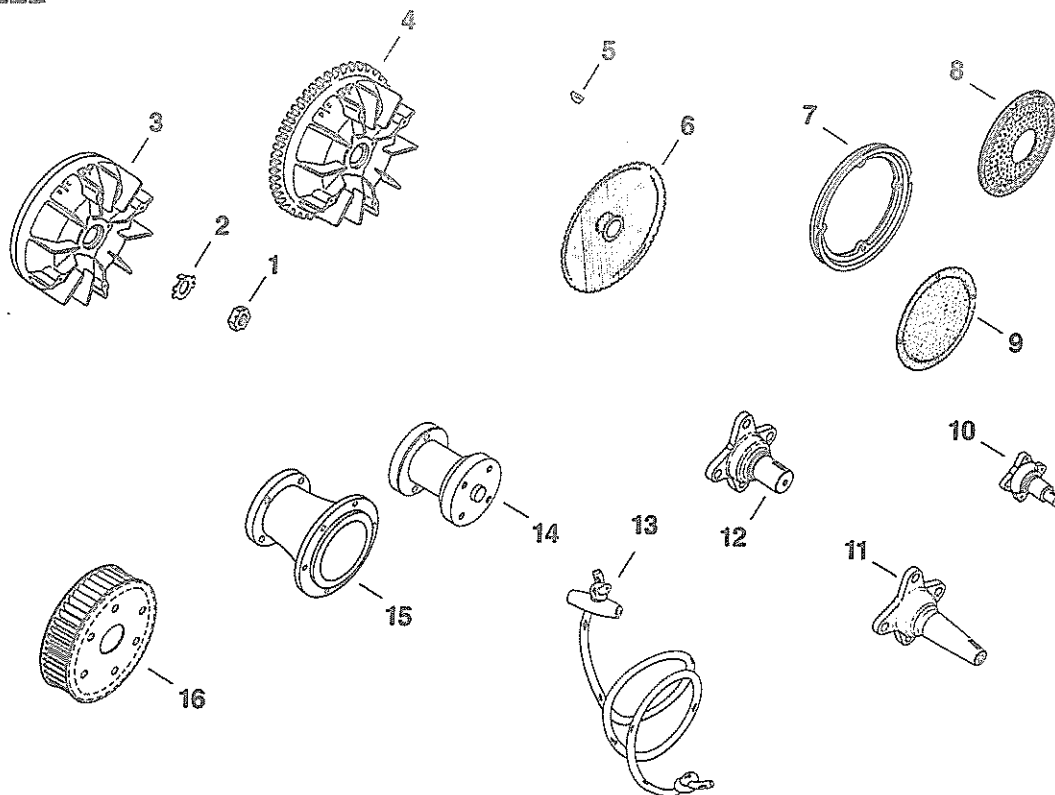
Group 12
EXHAUST



Index Number	Description Variation Number	Part Number	Index Number	Description Variation Number	Part Number
1	Plug 7, 8, 13, 16, 23, 25, 26, 29, 38, 43, 48, 49, 51, 52, 102, 104	X-75-37	8	Muffler 5, 14, 45, 52, 100, 101	277066
2	Plug 11, 33	X-75-17	9	Stud (2) 34, 37	X-352-10
3	Plug 33	X-75-23	9	Stud (4) 23, 16, 23, 29	41 072 19
4	Cap, muffler 19	277363	10	Stud (2) 39	232810
5	Muffler 19	277364	10	Stud (2) 64	48 072 04
6	Muffler (2) 37	275679	11	Spacer (Discontinued not available at Kohler Co.) (Not required w/ manifold 48 164 02)	
7	Nut, lock 1-1/2" 5, 14, 19, 45, 52	156153		5, 7, 8, 9, 11, 13, 14, 16, 19, 22, 23, 24, 25, 26, 29, 33, 34, 35, 100, 102, 103, 104	X-400-95

Index Number	Description Variation Number	Part Number	Index Number	Description Variation Number	Part Number
12	Manifold, intake 5,7,8,9,19,25,29,35,43,46,51,52, 102,103,104	48 164 02	18	Manifold, intake 34,37,65	277627
12	Manifold, intake (Discontinued not available at Kohler Co.) 11	277412	19	Gasket, manifold (Replaced by 48 041 11) 34,37	277628
12	Manifold, intake (Replaced by 48 755 04) 16,33	277323	20	Gasket, manifold (Replaced by 48 041 12) 34,37	277629
12	Manifold, intake 13,14,23,24,26,100	48 164 07	21	Manifold, intake 33	48 164 05
12	Manifold, intake (Discontinued not available at Kohler Co.) 22	48 164 06	21	Manifold, intake 39,64	48 164 03
13	Gasket, manifold (2) 5,7,9,14,19,23,24,25,33,35,38, 39,42,43,47,48,49,51,52,100,101, 102,103,104	277091	21	Manifold, intake 42,48	48 164 02
13	Gasket, manifold (2) 5,7,9,14,19,24,25,33,35,38,39, 42,43,46,47,48,49,51,52,64,100, 101,102,103,104	48 052 02	21	Manifold, intake 38,42,49,101	48 164 07
13	Gasket, manifold (4) 8,11,13,16,22,26,29,38,48,49, 51,52,64	277091	22	Nipple (2) 37,65	48 136 01
13	Gasket, manifold 23	48 052 02	23	Screw 5/16 - 18 x 2-3/4" 38	25 086 06
14	Manifold, exhaust 5,9,14,19,24,33,42,100,101,103	277013	23	Screw 5/16 - 18 x 2-3/4" (2) 64	25 086 06
14	Manifold, exhaust 7,8,22,43,48,49,51,52,102,104	277219	23	Screw 5/16 - 18 x 1-1/8" (6) (Discontinued not available at Kohler Co.) 38	X-125-6
14	Manifold, exhaust 23,29	277482	23	Screw 5/16 - 18 x 1-1/8" (7) (Discontinued not available at Kohler Co.) 42,49	X-125-6
14	Manifold, exhaust (Discontinued not available at Kohler Co.) 25,26	277512	24	Strap, lifting (2) 5,7,8,9,11,14,16,19,23,24,25,26,33, 34,35,37,38,39,42,43,46,47,48,49, 51,52,64,65,100,101,102,103,104	47 445 02
14	Manifold, exhaust 38	48 164 08	25	Spacer 33	277439
14	Manifold, exhaust (Discontinued not available at Kohler Co.) 11	277429	26	Elbow, exhaust cylinder #2 39,64	48 054 05
14	Manifold, exhaust (Discontinued not available at Kohler Co.) 13,16	277512	27	Cover, exhaust elbow cylinder #2 39	48 096 02
15	Plug 22	X-75-16	27	Cover, exhaust elbow cylinder #2 64	48 096 10
16	Gasket 33	271030	28	Adapter, carb. 33	48 029 07
17	Gasket 33	48 041 02	29	Elbow, exhaust cylinder #1 39,64	48 054 04
			30	Cover, exhaust elbow cylinder #1 39,64	48 096 01
			31	Plate 33	48 009 07
			32	Muffler 8,51,102,103,104	271167

Group 13
FLYWHEEL



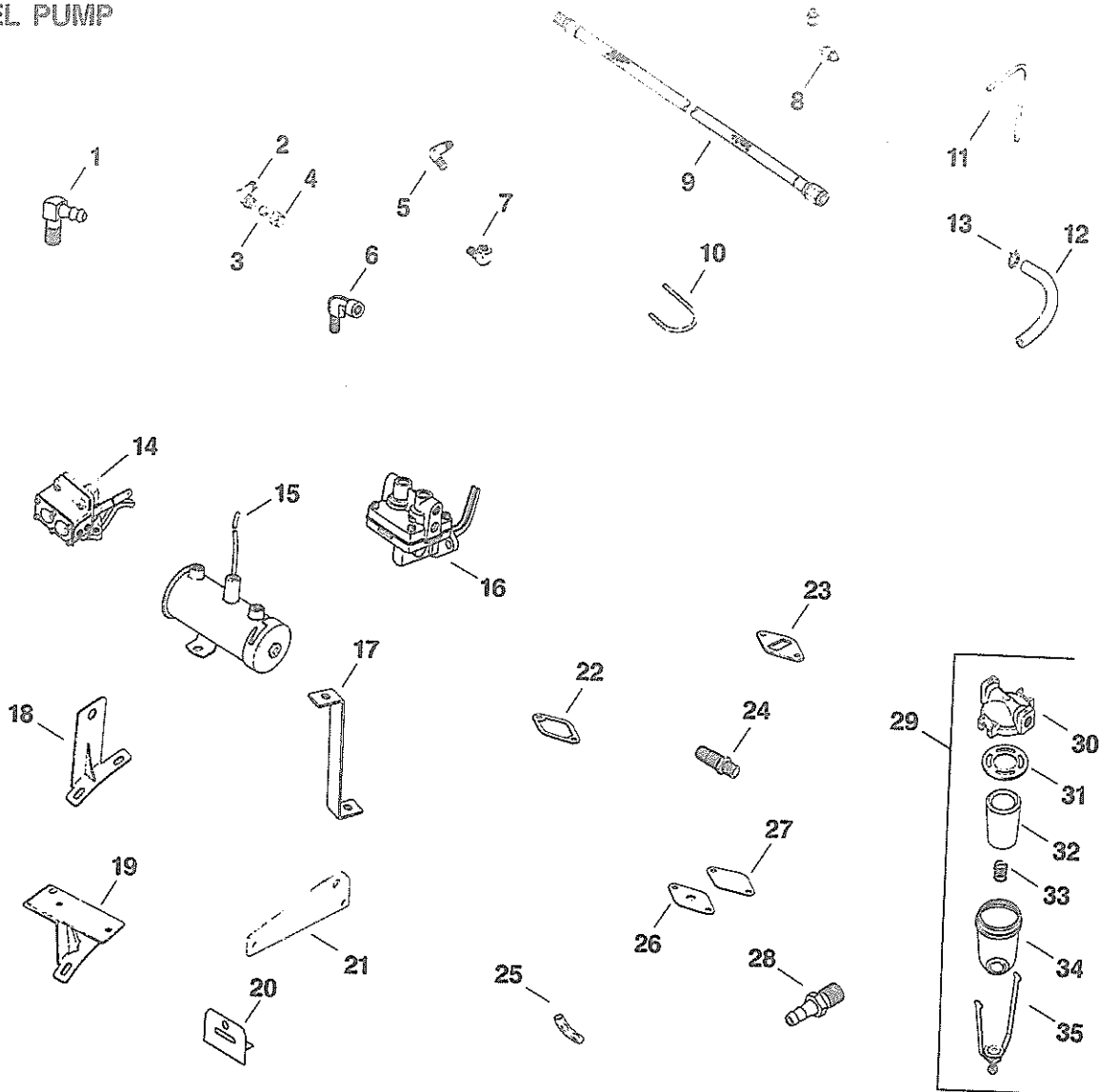
Index Number	Description Variation Number	Part Number	Index Number	Description Variation Number	Part Number
1	Nut, flywheel 26,27,29,30,31,32,33,34,35,37,41, 42,48,49,50,51,52,54,59,61,65,66, 67,72	X-80-1	4	Flywheel - assembly (Discontinued not available at Kohler Co.) 25	A-277255
2	Nut, lock 26,27,29,30,31,32,33,34,35,37,41, 42,48,49,50,51,52,54,59,61,65,66, 67,72	277595	4	Flywheel - assembly (Discontinued not available at Kohler Co.) 27	48 025 13
3	Flywheel (Discontinued not available at Kohler Co.) 11,51	A-277252	4	Flywheel - assembly 29,30,31,33,34,35,37,41,61,65,67	48 025 14
3	Flywheel (Discontinued not available at Kohler Co.) 16	A-277256	5	Key, woodruff #15 ALL	X-45-3
3	Flywheel 42,49,50	48 025 04	6	Screen, grass 8,9,13,19,26,31,32,33,34,35, 37,48	277017
3	Flywheel 7,52	48 025 08	7	Pulley (Use after generator serial no. 328363) 7	277016
4	Flywheel - assembly 6,8,9,13,17,19,26,32,48,59,66	48 025 16	7	Pulley 11,51,52	277016
4	Flywheel - assembly 54	48 025 02	8	Screen, grass (Use 277023 after generator serial no. 328363) 7	277470
4	Flywheel - assembly (Replaced by 48 025 16) 14,15	48 025 11	8	Screen, grass (Discontinued not available at Kohler Co.) 27	277907

K482,532

FLYWHEEL
(Cont'd)

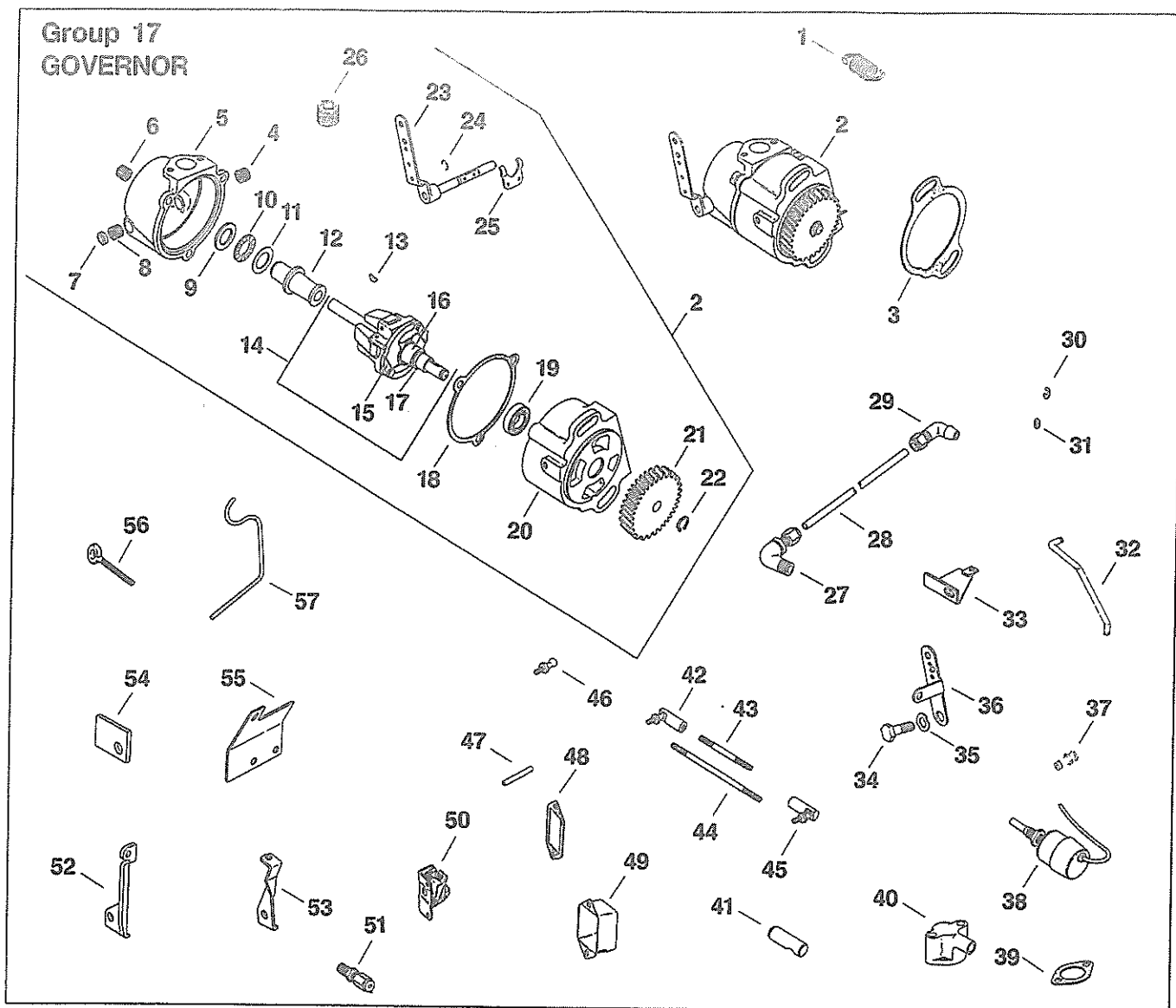
Index Number	Description Variation Number	Part Number	Index Number	Description Variation Number	Part Number
8	Screen, grass (Discontinued not available at Kohler Co.) 51	48 162 07	12	Shaft, front drive 1 diameter (Discontinued not available at Kohler Co.) 26,33	277594
8	Screen, grass 54,65	48 162 01	12	Shaft, front drive 51	277637
8	Screen, grass 59,61,72	48 162 02	13	Rope ALL	A-230099
8	Screen, grass 67	48 162 09	14	Support, rotor (Use 277226 prior to engine serial no. 7104000) (Discontinued not available at Kohler Co.) 14,16	48 161 02
9	Screen, grass 6,29	277470	14	Support, rotor (Discontinued not available at Kohler Co.) 15,25	277226
9	Screen, grass 11,52	277023	14	Support, rotor (Discontinued not available at Kohler Co.) 42	48 161 02
10	Shaft, front drive 3/4" diameter (Discontinued not available at Kohler Co.) 8,13	277343	14	Support, rotor (Discontinued not available at Kohler Co.) 49,50	48 161 03
11	Shaft, front drive (tapered & tapped) 48,59,72	48 144 06	15	Support, rotor 49,50	48 161 03
12	Shaft, front drive 1-1/8" diameter 9,31,32,35	277637	16	Rotor 14,15,16,25,42	277227
12	Shaft, front drive 1-1/4" diameter (Discontinued not available at Kohler Co.) 19,37	277466	16	Rotor 49,50	48 414 01

Group 14
FUEL PUMP



Index Number	Description Variation Number	Part Number	Index Number	Description Variation Number	Part Number
1	Elbow 90° (Rubber fuel line only) 3,5,12,21,23,25,30,34,40,197	25 155 02	5	Elbow 90° 6	X-447-10
1	Elbow 90° (2) 6,14,22,198,200	25 155 02	7	Elbow 90° 16	48 283 03
1	Elbow 90° (3) 10,26,199	25 155 02	7	Elbow 90° (2) 6	48 283 03
2	Elbow 90° (Metal fuel line only) 3,21,23,197	231510	7	Elbow 90° (2) 12,25	X-555-2
2	Elbow 90° 5,6,10,12,14,16,24,25,30,34,40	231510	7	Elbow 90° 14,21,22,26,27,30,40,198	X-555-2
3	Sleeve (Metal fuel line only) (2) 33,5,6,10,12,14,16,23	220547	8	Line, fuel 3-9/16" metal 21,30	A-277654
4	Nut (Metal fuel line only) (2) 3,5,6,10,12,14,16,23	220786	9	Line, fuel 7" (Discontinued not available at Kohler Co.) 27	48 353 02

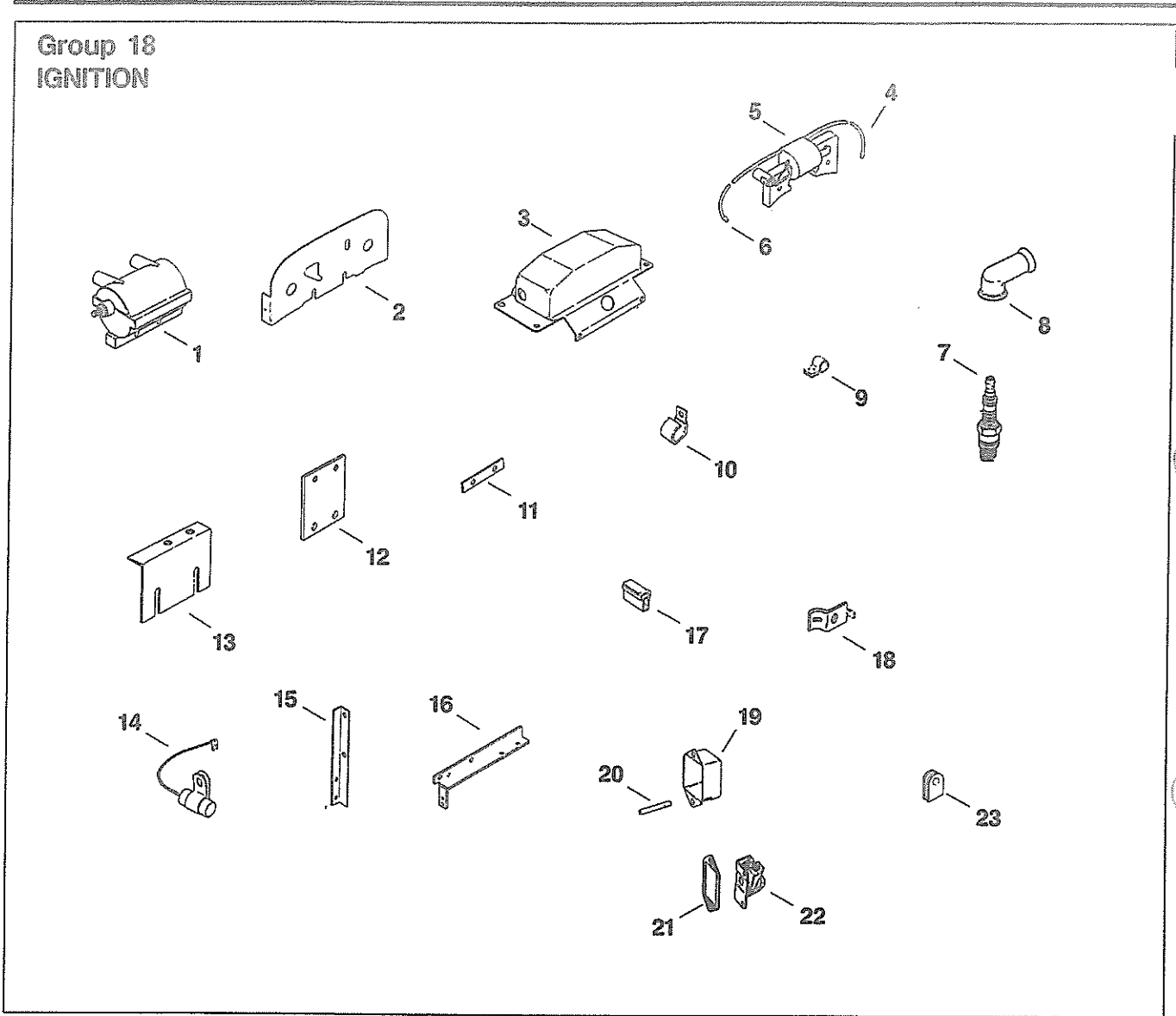
Index Number	Description Variation Number	Part Number	Index Number	Description Variation Number	Part Number
10	Line, fuel 4-9/16" metal 16	220097	21	Bracket, fuel filter (Discontinued not available at Kohler Co.) 10,199	277495
11	Line, fuel 5-19/32" metal (Discontinued not available at Kohler Co.) 3,23	277591	22	Gasket, fuel pump (Replaced by 25 041 05) 3,4,6,10,12,14,20,23,27,28,29,30, 197,198,199,200	47 041 04
12	Line, fuel 5-1/2" rubber (Metal fuel line - 220097) 3,5,10,12,14,21,22,23,26,30,34,40	52 353 04	23	Gasket, fuel pump insulator 3,5,10,14,16,21,22,23,25,26,30, 197,198,199,200	277649
12	Line, fuel 7" rubber (Replaced by 25 353 04) 6,28	X-810-6	24	Nipple 3,6,10,21,23,26,30	277483
12	Line, fuel 13-1/2" 10	25 353 03	25	Insulator (Discontinued not available at Kohler Co.) 27	X-367-1
12	Line, fuel 5-1/2" flexible 25	25 353 01	26	Cover, pump (Discontinued not available at Kohler Co.) 20	277646
12	Line, fuel 4" flexible 26	25 353 06	27	Cover, pump 4,27,28	240282
13	Clamp, hose (2) (Rubber fuel line only) 3,5,6,10,12,14,21,22,23,25,28	X-426-9	28	Connector, hose 20,28	X-380-1
13	Clamp, hose 30,31,34,40	X-426-9	29	Filter, fuel - assembly (Includes 30-35) 3,6,10,21,23,26,30,197,199	A-201073
14	Pump, fuel (Includes gasket) 3,5,6,10,12,14,16,21,22,23,25,26, 197,198,199,200	A-277539	30	Body, fuel filter (Discontinued not available at Kohler Co.) 3,6,10,21,23,26,30,197,199	270785
15	Pump, fuel (Elec.) (Includes gasket) (Replaced by 41 393 45) 27,28,29	41 393 28	31	Gasket, filter bowl 3,6,10,21,23,26,30,197,199	270690
16	Pump, fuel (Includes gasket) 30,31,34,40	48 559 01	32	Element, filter ceramic 3,6,10,21,23,26,30,197,199	270782
17	Bracket (Discontinued not available at Kohler Co.) 29	48 120 01	33	Spring, element retaining 3,6,10,21,23,26,30,197,199	270783
18	Bracket, fuel filter 3,6,21,23,26,30,197	277132	34	Bowl, filter 3,6,10,21,23,26,30,197,199	270691
19	Bracket, fuel pump (Discontinued not available at Kohler Co.) 28,29	48 126 06	35	Retainer, bowl 3,6,10,21,23,26,30,197,199	270784
20	Bracket, strainer (Discontinued not available at Kohler Co.) 197,198,199,200	288802	NOT ILLUSTRATED		
				Repair kit, fuel pump 3,5,6,10,12,14,16,21,22,23,26	271736



Index Number	Description Variation Number	Part Number	Index Number	Description Variation Number	Part Number
1	Spring, governor 2,3,7,8,12,15,19,17,22,20,800	271547	9	Race, thrust bearing ALL	277102
1	Spring, governor 4,13,16	48 091 01	10	Bearing, roller thrust ALL	277100
2	Kit, governor - assembly (Includes 4-26) ALL	48 310 28	11	Race, thrust bearing ALL	277101
3	Gasket, governor housing ALL	277078	12	Kit, governor sleeve ALL	48 755 01
4	Bearing, needle ALL	X-293-2	13	Key, woodruff ALL	X-42-2
5	Cover, governor ALL	48 096 05	14	Shaft, governor assembly ALL	48 420 08
6	Bearing, needle ALL	48 030 03	15	Spring (2) ALL	48 089 01
7	Seal, oil ALL	275056	16	Cam, breaker ALL	48 149 04
8	Bearing, needle ALL	X-293-3	17	Ring, retainer ALL	X-269-4

Index Number	Description Variation Number	Part Number	Index Number	Description Variation Number	Part Number
18	Gasket, governor cover ALL	277099	42	Ball joint 7,8,13	237130
19	Bearing, ball ALL	240202	43	Rod, ball joint 2,3,4,8,12,15,16,19,20,22,800	271151
20	Housing, governor ALL	48 081 02	44	Rod, ball joint 7,13	240256
21	Gear, governor ALL	48 043 11	45	Ball joint (Use 45 208 03 after serial no. 6373502) 2,12,800	237130
22	Ring, retainer ALL	X-269-15	45	Ball joint 3,4,7,8,13,15	237130
23	Lever, governor ALL	48 087 03	46	Ball joint 15,16,17,19,20	48 194 01
24	Ring, retaining ALL	277104	47	Rod, breaker push 2,3,4,7,8,12,13,15,16,17,19,20, 800	X-489-8
25	Yoke, governor ALL	48 471 02	48	Gasket, breaker cover 2,3,4,7,8,12,13,15,16,17,19,20, 800	52 041 11
26	Plug, allen hd. pipe 1/8 ALL	X-75-23	49	Cover, breaker (Discontinued not available at Kohler Co.) 2,3,4,7,8,12,13,15,16,17,19,20, 800	A-220136
27	Elbow 3,8,22	X-324-7	50	Breaker 2,3,4,7,8,12,13,15,16,17,19,20	47 150 03
28	Line, oil 6-1/2" 3,8	X-302-9	51	Connector 2,4,7,12,13,15,16,19,20,22,800	X-343
29	Elbow (Discontinued not available at Kohler Co.) 2,3,4,7,8,12,13,15,16,17,19,20,800	277337	52	Arm, control (Replaced by 48 755 31) 4,16,17	277332
30	Retainer (2) 8	235278	53	Arm, control (Discontinued not available at Kohler Co.) 3	277108
31	Spacer (Discontinued not available at Kohler Co.) 8	277427	54	Plate, governor (Discontinued not available at Kohler Co.) 12,13,19	48 146 01
32	Rod (Discontinued not available at Kohler Co.) 8	277428	55	Bracket, solenoid 15,22	48 126 05
33	Lever, bellcrank (Discontinued not available at Kohler Co.) 8	277410	56	Screw, adjusting 3,4,16,17	277333
34	Screw, shoulder 2,7,8,12,13,15,19,20,800	275691	57	Line, oil 7-1/2 4,7,12,13,15,16,17,19,20,22,800	48 353 05
35	Washer, tension 2,7,8,12,13,15,19,20,800	277341	NOT ILLUSTRATED		
36	Lever, throttle 2,7,8,12,13,19,20,800	277080	NOTE: Use 14 gauge leads for all low tension circuit wiring except use 6 gauge wherever battery current is present and 10 gauge between ammeter to generator or to start switch. Low tension leads are available only in "multiple-use" kit form. Each kit includes an assortment of terminals plus a length of wire which is cut to match the length of the lead being replaced. The available low tension lead kits are:		
36	Lever, throttle 15,22	48 090 02	Kit, low tension lead (20" - 6 gauge) 238056		
37	Kit, clamp 15,22,800	48 755 10	Kit, low tension lead (30" - 10 gauge) (Discontinued not available at Kohler Co.) 238055		
38	Solenoid 15,22	45 435 02	Kit, low tension lead (40" - 14 gauge) (Discontinued not available at Kohler Co.) 238054		
39	Gasket, breather 2,3,4,7,8,12,13,15,16,17,19,20,800	277073	Kit, low tension lead (25" - 16 gauge) 238058		
40	Housing, breather (Includes valve) ALL	A-277905	Kit, low tension lead (25" - 18 gauge) 238060		
41	Body, ball joint 15,16,19,20,22	45 208 03			
42	Ball joint (Use 45 208 03 after serial no. 6373502) 2,12,800	237130			
42	Ball joint (Replaced by 237130) 3,4	275866			

Group 18
IGNITION



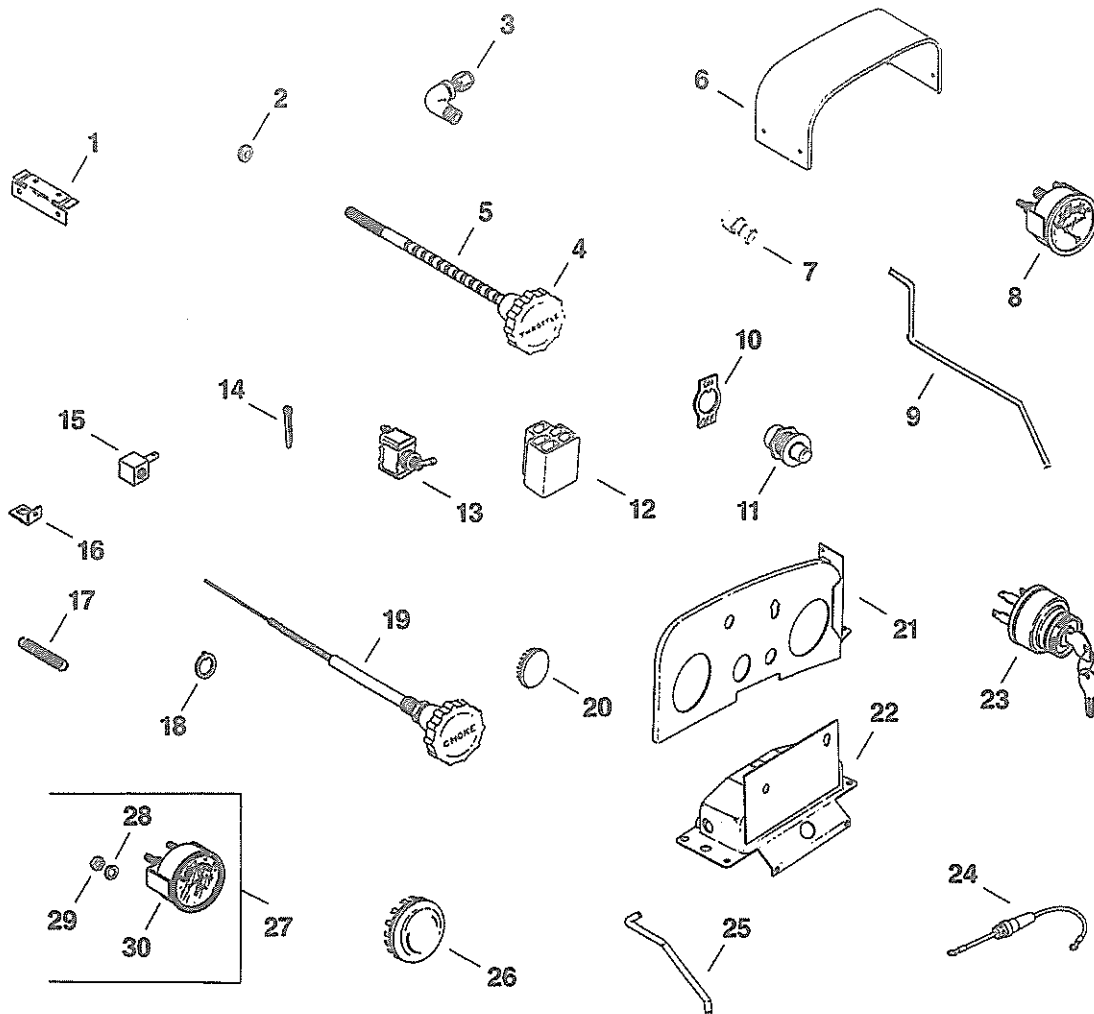
Index Number	Description Variation Number	Part Number	Index Number	Description Variation Number	Part Number
1	Coil 3,4,8,11,12,15,16,19,20,21,23,24, 25,30,31,32,33,47,300	277375	7	Plug, spark (2) 3,4,5,7,8,10,11,12,13,15,16,17, 19,20,21,22,23,24,25,26,30,31, 32,33,47	235041-S
2	Housing, stator (Discontinued not available at Kohler Co.) 5,7	277306	8	Boot, spark plug (2) 5,7,10,13,17,26	220791
3	Housing, stator (Discontinued not available at Kohler Co.) 17	277366	9	Clip, cable (plastic coated) (2) 3,4,5,7,8,11,12,13,15,16,17,19, 21,22,23,24,25,26,30,31,32,33,47	210281
4	Stator - assembly (Includes 5,6) 5,7,10,13,17,26	A-277301	9	Clip, cable (plastic coated) 10	210281
5	Coil (Discontinued not available at Kohler Co.) 5,7,10,13,17,26	277449	9	Clip, cable (plastic coated) 11	X-672-7
6	Condenser 5,7,10,13,17,26	231719	10	Clip 20	47 154 01
			11	Plate, coil mounting 3,4,11,12,15,19,20,23,25,30,33,47	271694
			11	Plate, coil mounting (2) 16,21,24,28,31,32	271694

Index Number	Description Variation Number	Part Number	Index Number	Description Variation Number	Part Number
12	Bracket, coil (Discontinued not available at Kohler Co.)			Lead, high tension (Discontinued not available at Kohler Co.)	
	15	277509		23,33	241390
13	Plate, coil mounting			Lead, hi-tension	
	12,19	277587		19,20,25	48 348 02
14	Condenser			Lead, hi-tension	
	3,4,8,11,12,15,16,19,20,21,23, 24,25,28,30,31,32,33,300	230722		20,33,47	48 348 03
15	Bracket, coil			Lead, hi-tension (2)	
	20,30	48 088 02		28,31,32	48 348 04
16	Bracket, coil			Lead, hi-tension	
	23	48 088 01		33,47	48 348 04
17	Connector			Lead, hi-tension	
	23,33,65	48 155 02		47	25 518 11
18	Clamp, cable (2)			Lead	
	23	235778		47	25 518 08
19	Cover, breaker				
	ALL	A-220136			
20	Rod, breaker push				
	ALL	X-489-8			
21	Gasket, breaker cover				
	ALL	52 041 11			
22	Breaker - assembly				
	3,4,5,7,8,10,11,12,13,15,16,17, 19,20,21,22,23,24,25,30,31,32 33,300	47 150 03			
23	Grommet				
	3,5,13,17,20,24,26	220297			
	NOT ILLUSTRATED				
	Kit, high tension lead				
	3,4,8,11,12,15,16,21,22,23,24, 30,33,300	238057			
	Diaphragm, breaker seal				
	ALL	220074			
	Lead, high tension				
	4	270614			
				Kit, low tension lead (20" -6 gauge)	238056
				Kit, low tension lead (30" -10 gauge)	
				(Discontinued not available at Kohler Co.)	238055
				Kit, low tension lead (40" -14 gauge)	
				(Discontinued not available at Kohler Co.)	238054
				Kit, low tension lead (25" - 16 gauge)	238058
				Kit, low tension lead (25" -18 gauge)	
				(Discontinued not available at Kohler Co.)	238060

NOTE: Use 14 gauge leads for all low tension circuit wiring except use 6 gauge wherever battery current is present and 10 gauge between ammeter to generator or to start switch. Low tension leads are available only in "multiple-use" kit form. Each kit includes an assortment of terminals plus a length of wire which is cut to match the length of the lead being replaced. The available low tension lead kits are:

Kit, low tension lead (20" -6 gauge) 238056
 Kit, low tension lead (30" -10 gauge)
 (Discontinued not available
 at Kohler Co.) 238055
 Kit, low tension lead (40" -14 gauge)
 (Discontinued not available
 at Kohler Co.) 238054
 Kit, low tension lead (25" -
 16 gauge) 238058
 Kit, low tension lead (25" -18 gauge)
 (Discontinued not available
 at Kohler Co.) 238060

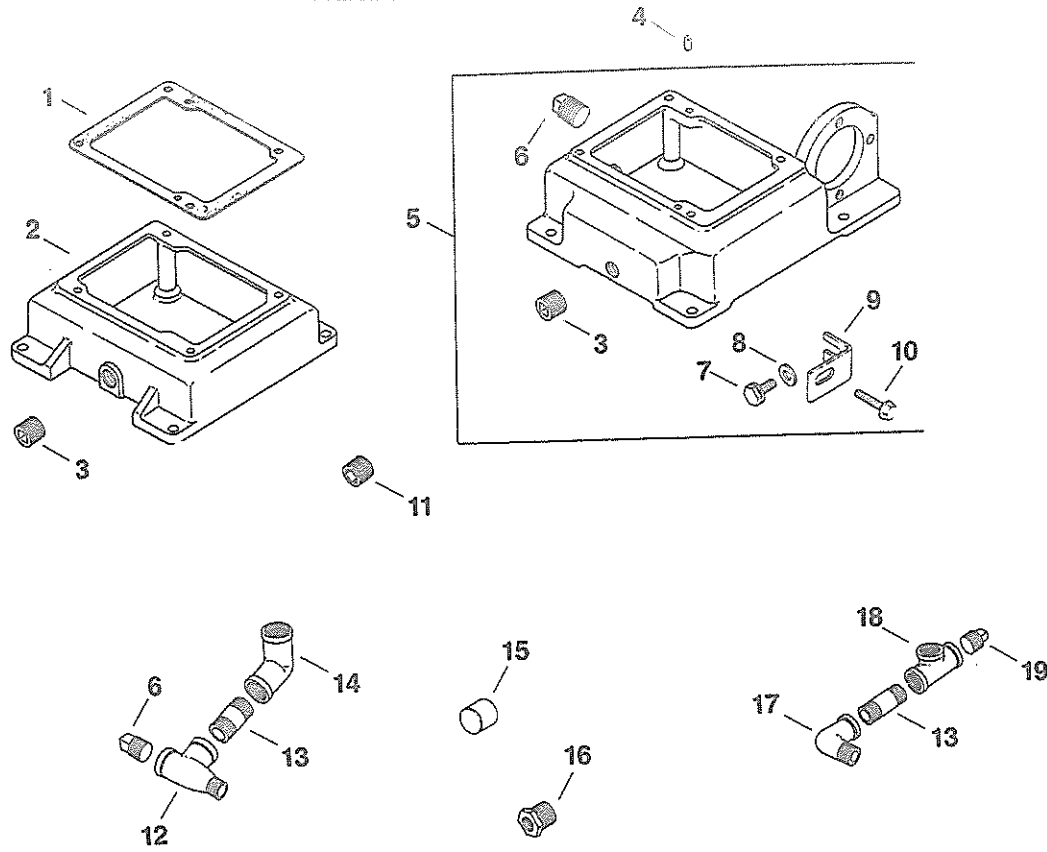
Group 19
INSTRUMENT PANEL



Index Number	Description Variation Number	Part Number	Index Number	Description Variation Number	Part Number
1	Bracket, cable 5,13,700	277128	5	Lever, throttle (Discontinued not available at Kohler Co.)	
2	Washer (Discontinued not available at Kohler Co.)		7	Connector	277303
	10	243826	6	Cover, stator housing (Discontinued not available at Kohler Co.)	
3	Elbow		7,11		277342
	4,7,11,14,17,22,21,23	X-324-7	8	Gauge, oil pressure	X-721-1
4	Knob, throttle		4,7,11,14,17,21,22,23		
	4,7,10,14,17,23	270414	9	Line, oil 11-19/64"	270231
5	Lever, throttle (Replaced by 48 420 03)		4,14,17,21,22,23		277354
	4,14,17,22,23	48 420 03			

Index Number	Description Variation Number	Part Number	Index Number	Description Variation Number	Part Number
9	Line, oil 13-15/16" (Discontinued not available at Kohler Co.) 7,11	277415	22	Panel, control and stator housing (Discontinued not available at Kohler Co.) 10	277430
10	Plate, switch 4,7,11,21,22	220725	23	Switch (Use after serial no. 5359406) 17,23	48 099 01
11	Button, start 4,21,22,701	270232	24	Fuse, holder (Includes fuse 41 304 01) 22,23	48 323 01
12	Connector 23	48 155 01	25	Rod, throttle (Discontinued not available at Kohler Co.) 10	277428
13	Switch, ignition 4,21	151510	26	Plug, button 7,21	244419
13	Switch, ignition 7,11	151510-2	27	Kit, ammeter (Includes 28-30) 4,14,17,22,23	48 755 18
13	Switch, ignition 22,701	238011	28	Washer, lock #10 (2) 4,14,17,22,23	X-19-1
14	Pin, cotter 1/16 x 3/8" (Discontinued not available at Kohler Co.) 4,7,10,14,17	X-36-4	29	Nut, nex. plain (4) 4,14,17,22,23	X-70-8
14	Pin, cotter 1/16 x 1/2" (Discontinued not available at Kohler Co.) 4,7,14,17	X-36-1	30	Bracket, ammeter 4,14,17,22,23	48 126 09
15	Block, swivel 4,7,10,14,17,22,23	270410	NOT ILLUSTRATED		
16	Clip, throttle (Discontinued not available at Kohler Co.) 4,7,10,11,14,17,22,23	274043		Fuse 22,23	41 304 01
16	Clip, throttle (2) 5,700	235603	NOTE: Use 14 gauge leads for all low tension circuit wiring except use 6 gauge wherever battery current is present and 10 gauge between ammeter to generator or to start switch. Low tension leads are available only in "multi-use" kit form. Each kit includes an assortment of terminals plus a length of wire which is cut to match the length of the lead being replaced. The available low tension lead kits are:		
17	Spring, throttle 4,7,10,14,17,22,23	270409		Kit, low tension lead (20" -6 gauge)	238056
18	Ring, lock 4,7,11,21,22	151511		Kit, low tension lead (30" -10 gauge) (Discontinued not available at Kohler Co.)	238055
19	Cable, choke 4,14,17,21,22	277148		Kit, low tension lead (40" -14 gauge) (Discontinued not available at Kohler Co.)	238054
19	Cable, choke (Discontinued not available at Kohler Co.) 7,11	277380		Kit, low tension lead (25" - 16 gauge)	238058
19	Cable, choke (Discontinued not available at Kohler Co.) 10	277421		Kit, low tension lead (25" -18 gauge) (Discontinued not available at Kohler Co.)	238060
20	Plug, button 7,14,17,21,23	X-301-8			
21	Panel, instrument 4,14,17,21,22	277173			
21	Panel, instrument (Discontinued not available at Kohler Co.) 7,11	277308			

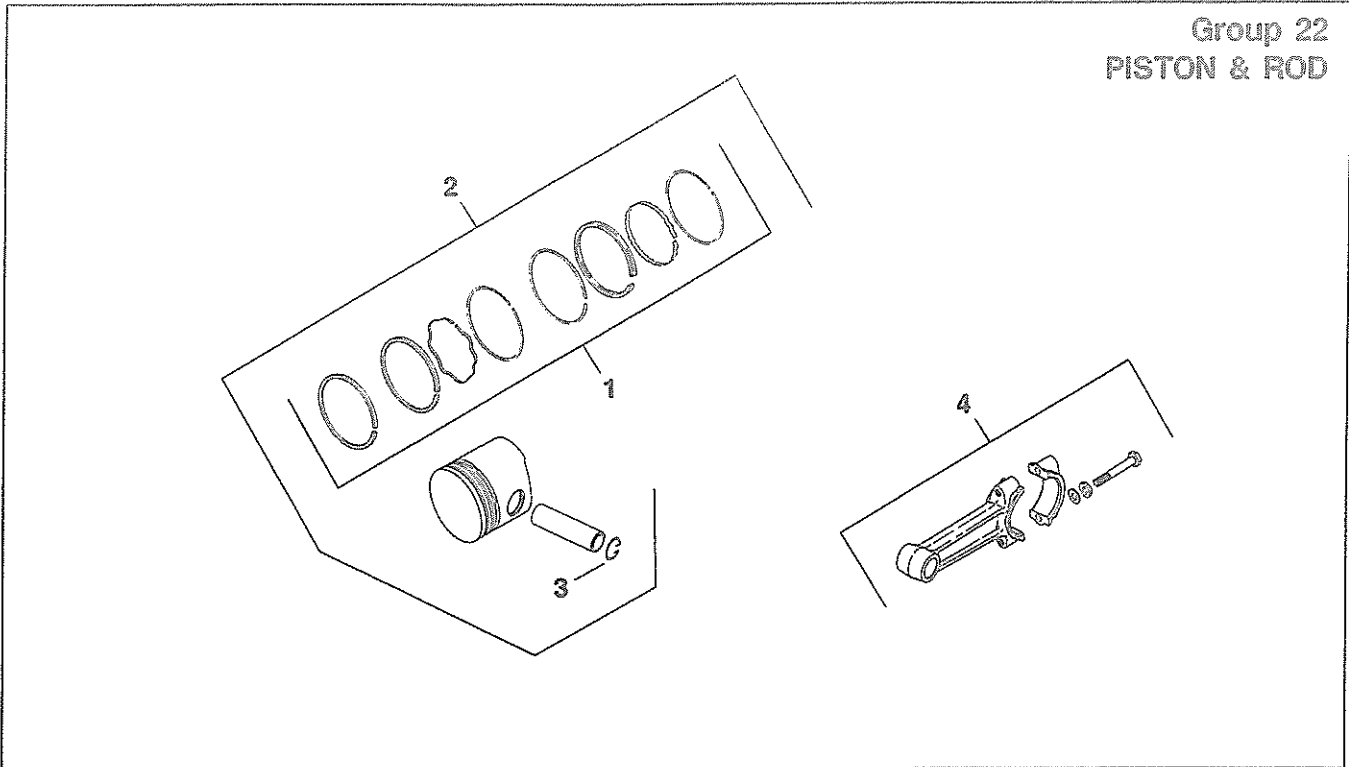
Group 21
OIL PAN



Index Number	Description Variation Number	Part Number	Index Number	Description Variation Number	Part Number
1	Gasket, oil pan		11	Plug, pipe	
	1,5,7,8,9,12,13,14,15,16,18,22	277014		7,12	47 139 01
2	Pan, oil (Side drain)		12	Tee	
	(Discontinued not available at Kohler Co.)			9	X-313-1
	1	277126	13	Nipple 2"	
2	Pan, oil (Side drain)			9,13	46 136 01
	8,14	277462	13	Nipple 2-1/2"	
3	Plug, pipe			12	46 136 02
	5,7,9,12,13,16,18,22	X-75-42	13	Nipple 3-1/2"	
4	Pin, dowel (2)			14	X-206-6
	1,5,7,9,12,13,15,16,18,22	230125-S	14	Elbow	
5	Kit, oil pan (Side drain)			9	48 283 04
	(Includes 3,6-10)		15	Cap, pipe	
	5,7,9,12,13,15,16,17,18,22	48 755 17		14	X-268-1
6	Plug, pipe		16	Bushing, reducer	
	1,5,9,12,13,15,16,17,18,22	X-75-6		(Use after generator set serial	
6	Plug, drain 1/4"sq. hd.			no. 440032)	
	(Use prior to generator set serial			8	X-202-23
	no. 440033)		17	Elbow	
	8	X-75-6		(Use prior to generator set serial	
6	Plug, pipe			no. 440033)	
	5,7,9,12,13,15,16,17,18,22	X-75-28		8,13	SA-472
7	Screw, H.C. 5/16-18x1/2"		18	Tee	
	5,7,9,12,13,15,16,17,18,22	X-154-6		13	A-108
8	Washer, plain 5/16"		19	Plug	
	5,7,9,12,13,15,16,17,18,22	X-25-44		17	X-75-28
9	Bracket, starter support				
	5,7,9,12,13,15,16,17,18,22	48 126 08			
10	Screw, 1/4-20x3/4"				
	5,7,9,12,13,15,16,17,18,22	X-67-62			

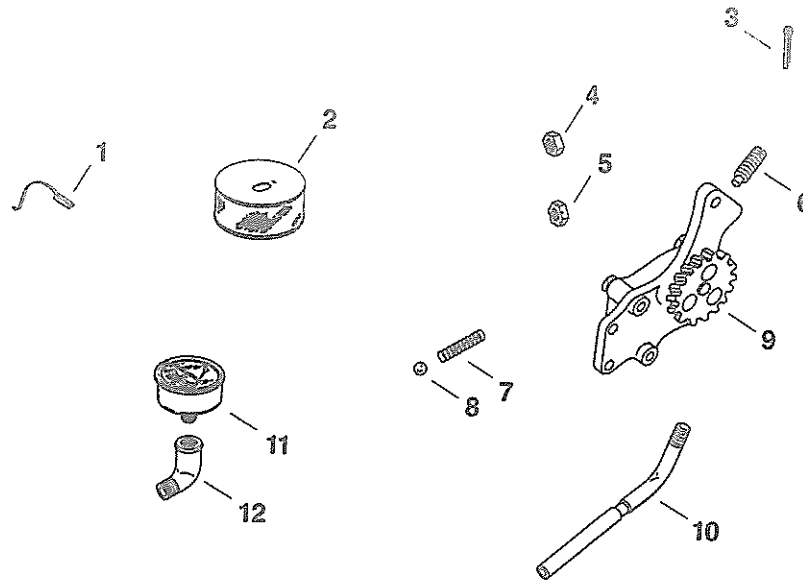
K482,532

Group 22 PISTON & ROD



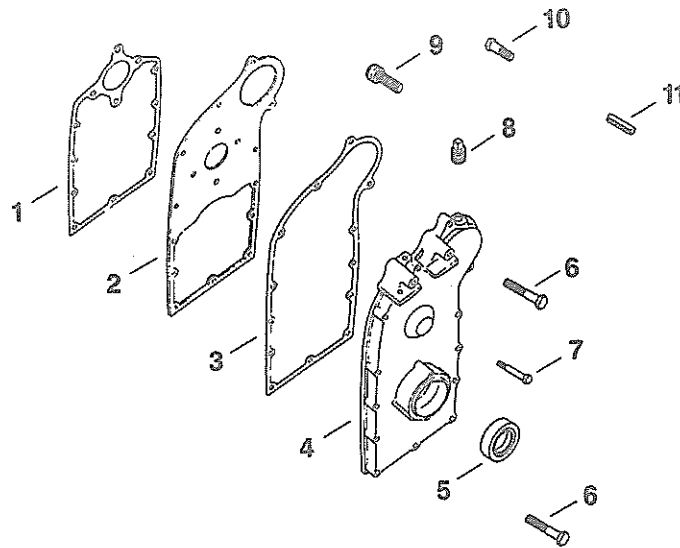
Index Number	Description Variation Number	Part Number	Index Number	Description Variation Number	Part Number
K482			K532		
1	Ring Set (Std. & .003) (2) 2,4	235287	2	Piston w/Ring Set (Std.) (2) 5,6	48 874 01
1	Ring Set (.010) (2) 2,4	235288	2	Piston w/Ring Set (.003) (2) 5,6	48 874 02
1	Ring Set (.020) (2) 2,4	235289	2	Piston w/Ring Set (.010) (2) 5,6	48 874 03
1	Ring Set (.030) (2) 2,4	235290	2	Piston w/Ring Set (.020) (2) 5,6	48 874 04
K582			2	Piston w/Ring Set (.030) (2) 5,6	48 874 05
1	Ring Set (Std. & .003) (2) 5,6	48 108 01	3	Retainer, piston pin (4) 2,4,5,6	47 018 01
1	Ring Set (.010) (2) 5,6	48 108 02	K482		
1	Ring Set (.020) (2) 5,6	48 108 03	4	Connecting Rod (Std.) (2) 2,4	A-277130
1	Ring Set (.030) (2) 5,6	48 108 04	4	Connecting Rod (.010) (2) 2,4	A-277130-10
K482			K532		
2	Piston w/Ring Set (Std.) (2) 2,4	47 874 01	4	Connecting Rod (Std.) (2) 5,6	48 067 12
2	Piston w/Ring Set (.003) (2) 2,4	47 874 02	4	Connecting Rod (.010 U.S.) (2) 5,6	48 067 13
2	Piston w/Ring Set (.010) (2) 2,4	47 874 03	(Note: Piston w/Ring Set includes pin & retainers)		
2	Piston w/Ring Set (.020) (2) 2,4	47 874 04			
2	Piston w/Ring Set (.030) (2) 2,4	47 874 05			

Group 25
OIL PUMP



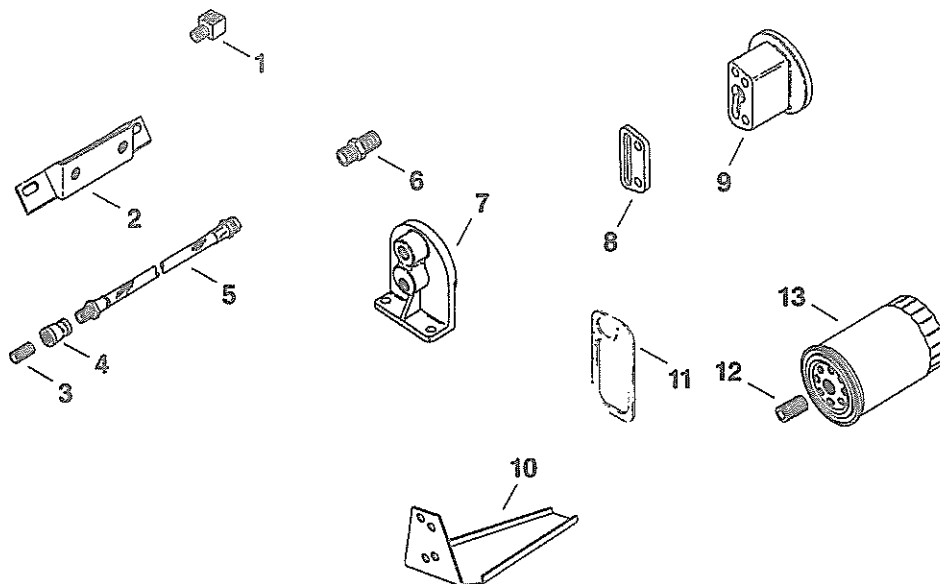
Index Number	Description Variation Number	Part Number	Index Number	Description Variation Number	Part Number
1	Clip, oil tube 3,4,5,20	270085	7	Spring, relief valve 3,4,5,20	48 089 03
2	Strainer, oil 3,4,5,20	277202	8	Ball, steel 3,4,5,20	X-212-3
3	Pin, cotter 1/16 x 3/4" (Discontinued not available at Kohler Co.) 3,4,20	X-36-6	9	Pump 4,5,20	48 393 23
4	Nut, lock 4,5,20	X-629-1	10	Tube, oil inlet 4,5,20	277224
5	Nut, relief valve 5	X-101-6	11	Gauge, oil 20	240981
6	Screw, adjusting 4,5,20	277694	12	Elbow 45° 20	X-274-4

Group 26
GEAR COVER



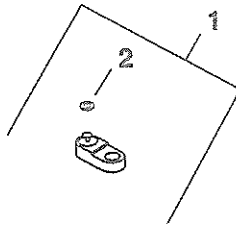
Index Number	Description Variation Number	Part Number	Index Number	Description Variation Number	Part Number
1	Gasket, gear cover plate 5,7,9	277022	6	Screw, hex. hd. 5/16 -18 x 1-3/4" (7) 5,7,9	X-6-22
2	Plate, gear cover 5,7,9	277021	7	Screw, hex. hd. 5/16 -18 x 1-3/4" (2) 5,7,9	277086
3	Gasket, gear cover 5,7,9	277020	8	Plug, pipe 5,7,9	X-75-2
4	Cover, gear 5,9	277493	9	Screw, allen 5/16 - 18 x 3/4" 5,7,9	X-55-6
4	Cover, gear 7	A-277643	10	Screw, hex. hd. 5/16 -18 x 3/4" (4) 5,7,9	X-6-11
5	Seal, front oil 5,7,9	52 032 08	11	Pin (2) 5	X-280-13

**Group 29
OIL FILTER**



Index Number	Description Variation Number	Part Number	Index Number	Description Variation Number	Part Number
1	Elbow, street (2) 5,7	X-555-1	9	Adapter, filter (Replaced by 48 029 02) 3,8,9	277532
2	Bracket, oil filter (Discontinued not available at Kohler Co.) 7	277516	9	Adapter assembly (Includes 12, & 48 029 02) 11	48 180 03
3	Nipple 1/8" (2) 4,5,6,7,500	Z-217-6	10	Trough, spill 9	48 459 01
4	Coupling, reducer (2) 4,5,6,7,500	X-250-8	11	Gasket, oil filter adapter 2,3,8	277195
5	Line, flexible fuel 24" (2) 4,5,6,500	48 353 06	11	Gasket, oil filter adapter (2) 9	48 041 03
6	Connector 7	X-296-2	12	Nipple 1/2" I.D. x 3/4" O.D. x 1 3,5,7,8,9,11,500	277234
7	Adapter, filter (Replaced by 25 029 01) 5,6,7,500	277345	13	Filter, oil 3,5,6,7,8,9,11,500	277233
8	Adapter, filter 2	277034			

Group 31
HIGH TEMP. CUTOUT



Index Number	Description Variation Number	Part Number	Index Number	Description Variation Number	Part Number
1	Kit, hi-temperature cutout switch (Includes 2) 1,2	47 703 01			
2	Washer, hi-temperature cutout 1,2	47 468 07			
				NOT ILLUSTRATED	
				NOTE: Use 14 gauge leads for all low tension circuit wiring except use 6 gauge wherever battery current is present and 10 gauge between ammeter to generator or to start switch. Low tension leads are available only in "multi-use" kit form. Each kit includes an assortment of terminals plus a length of wire which is cut to match the length of the lead being replaced. The available low tension lead kits are:	
				Kit, low tension lead (20" - 6 gauge)	238056
				Kit, low tension lead (30" - 10 gauge) (Discontinued not available at Kohler Co.)	238055
				Kit, low tension lead (40" - 14 gauge) (Discontinued not available at Kohler Co.)	238054
				Kit, low tension lead (25" 16 gauge)	238058
				Kit, low tension lead (25" - 18 gauge) (Discontinued not available at Kohler Co.)	238060

Group 32
OIL PRESS. CUTOUT



Index Number	Description Variation Number	Part Number	Index Number	Description Variation Number	Part Number
1	Switch, low oil pressure 2	271662	2	Elbow, street 2	48 283 03

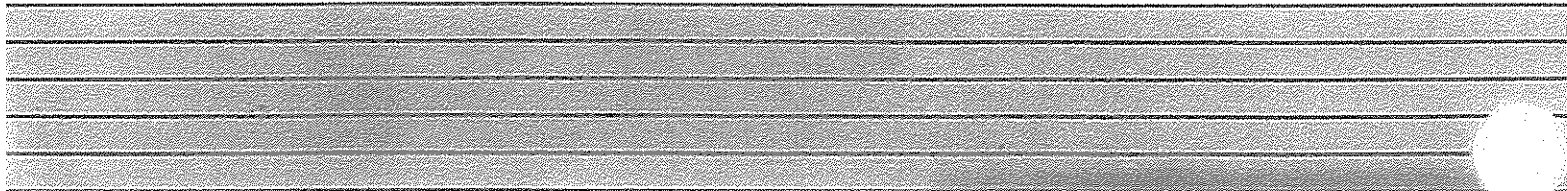
K482,532

Description	Part Number	Description	Part Number
GASKET SET (w/out Seals)	48 004 02	GASKET SET (w/ Seals)	48 755 33
Gasket, breaker cover	52 041 11	Seal, front oil	52 032 08
Gasket, valve cover (2)	270034	Gasket, breaker cover	52 041 11
Gasket, carburetor	271030	Gasket, valve cover (2)	2770034
Gasket, oil pan	277014	Gasket, carburetor	271030
Gasket, gear cover	277020	Gasket, oil pan	277014
Gasket, gear cover plate	277022	Gasket, gear cover	277020
Gasket, breather	277073	Gasket, gear cover plate	277022
Gasket, governor housing	277078	Seal, rear oil	277065
Gasket, closure plate	277087	Gasket, breather	277073
Gasket, air cleaner	277093	Gasket, governor housing	277078
Gasket, governor	277099	Gasket, closure plate	277087
Gasket, closure plate .005 (3)	277103	Gasket, manifold (4)	277091
Gasket, closure plate .010 (3)	277115	Gasket, air cleaner	277093
Gasket, insulator	277649	Gasket, governor	277099
Gasket, manifold (2)	277091	Gasket, closure plate .005 (3)	277103
Gasket, manifold	48 041 11	Gasket, closure plate .010 (3)	277115
Gasket, fuel pump	25 041 05	Gasket, manifold (2)	48 052 02
Gasket, oil filter (2)	48 041 03	Gasket, insulator	277649
Gasket, cylinder head (2)	48 041 10	Gasket, manifold	48 041 11
Gasket, manifold (4)	48 041 12	Gasket, manifold	48 041 12
Gasket, air cleaner	25 041 06	Gasket, fuel pump	25 041 05
Gasket, fuel pump	25 041 09	Gasket, oil filter (2)	48 041 03
Gasket, manifold	48 052 02	Gasket, cylinder head (2)	48 041 10
		Gasket, air cleaner	25 041 06
		Gasket, fuel pump	25 041 09

K482,532 ACCESSORIES

Spec Number	Description	Part Number	Spec Number	Description	Part Number
35109	Meter, hour (Discontinued not available at Kohler Co.)	266115	53170	Kit, clamp	48 755 10
35128	Cap (Discontinued not available at Kohler Co.)	261647		Washer, plain (2)	X-25-102
53136	Relay (Discontinued not available at Kohler Co.)	287436		Screw (2)	X-51-8
53146	Decal, air cleaner	25 113 07	53176	Regulator	277064
	Decal, oil filter	277586		Regulator	41 403 06
	Decal, warning, black	237448		Decal, oil filter	277586
53149	Regulator	277064		Decal, warning, white	237447
53156	Decal, air cleaner	25 113 07		Decal, 12-volt warning, white	277356
	Decal, 12-volt warning, white	277356		Decal, air cleaner	25 113 07
	Decal, warning, white	237447		Solenoid	48 217 04
	Decal, oil filter	277586		Cover	277142
	Tube, air cleaner	47 134 02	53177	Solenoid	48 217 04
			53178	Solenoid	48 217 04
			53186	Kit, clamp, (2)	48 755 10
				Washer, plain (2)	X-25-102
				Screw (2)	X-51-8

FOR SALES AND SERVICE INFORMATION
IN U.S. AND CANADA, CALL
1-800-544-2444



FORM NO.:	TP-2419
ISSUED:	8/91
REVISED:	
MAILED:	6/92

LITHO IN U.S.A.