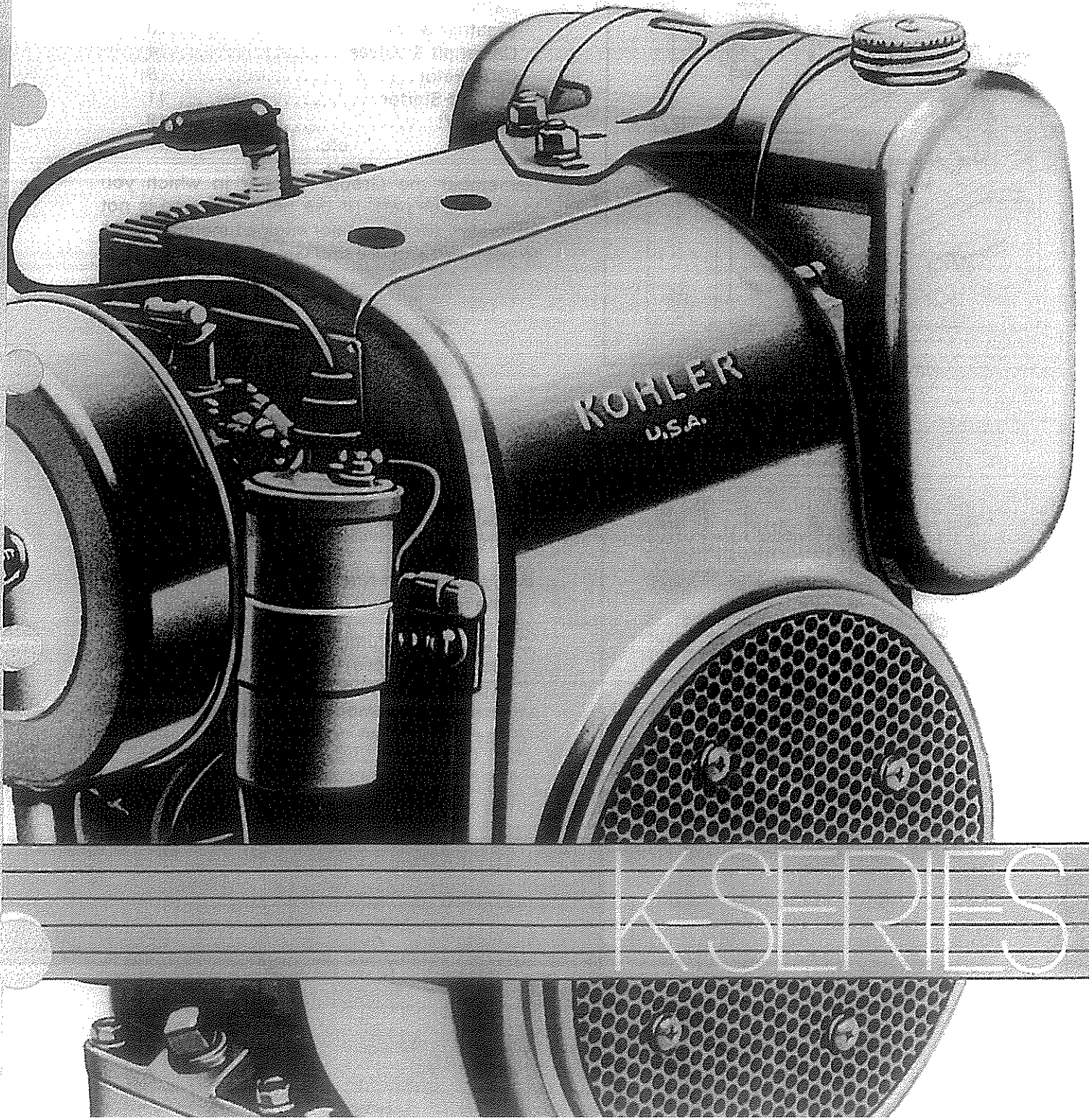


KOHLERengines

PARTS MANUAL

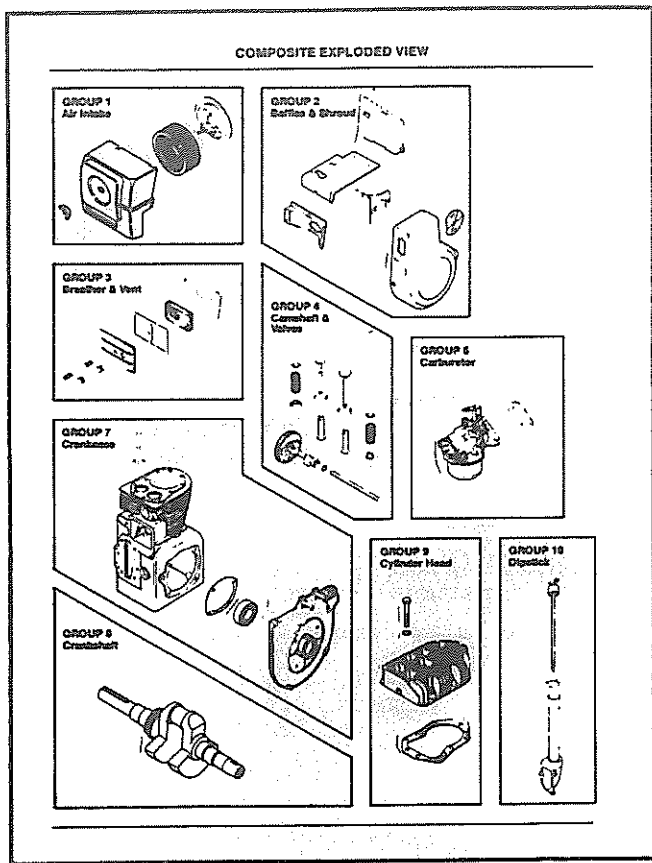
K301-12HP

SPECS 4710-47835



K SERIES

HOW TO FIND YOUR PART NUMBER



1. Turn the page of the parts manual to the "Composite Exploded View." Notice the boxed groupings identified by their function along with corresponding number. The group function and number applies to all engine models.

For Example:

Function (Group Description)	Group Number
Air Intake	1
Baffles & Shroud	2
Breather & Vent	3
Camshaft & Valves	4
Carburetor	5
Electric Starter	11
Ignition	18
etc.	

Remember the Group Number in which you located your part. (If the part you need is not illustrated, locate a major engine function related to your part and use that Group Number.)

SPECIFICATION NUMBER INDEX

Group Title & Number	1	2	3	4	5	6	7	8	9	10	11	12	13	14	15	16	17	18	19	20	21	22	23	24	25	26	
Air Intake	1	2	3	4	5	6	7	8	9	10	11	12	13	14	15	16	17	18	19	20	21	22	23	24	25	26	
Baffles & Shroud	7	8	9	10	11	12	13	14	15	16	17	18	19	20	21	22	23	24	25	26							
Breather & Vent																											
Camshaft & Valves																											
Carburetor																											
Crankcase																											
Crankshaft																											
Cylinder Head																											
Dipstick																											
Electric Start																											
Exhaust																											
Flywheel																											
Fuel Pump																											
Fuel Tank																											
Gear Reduction																											
Governor																											
Ignition																											
Instrument Panel																											
Oil Pan																											
Piston & Rod																											
Retractable Blat																											
Clasket Bat																											

Spec. No. Variation Number

461502	576	173	512	26	78	513	126	60	569	44	717	562	568	576	737	544	508	1	511	27	
461501	576	173	512	26	78	513	126	60	568	44	718	562	568	576	737	544	508	1	511	27	
461502	576	173	512	26	78	513	126	60	569	576	44	718	562	568	576	738	543	508	1	511	27
461503	576	178	512	26	78	513	126	60	569	576	44	718	562	568	576	738	543	508	1	511	27
461518	576	173	512	26	78	513	126	60	568	44	718	562	568	576	738	543	508	1	511	27	
461520	576	173	512	26	78	513	126	60	568	576	44	718	562	568	576	738	543	508	1	511	27

Contact your Kohler engine parts supplier for any specifications not listed. For MiniBlocks, Short Blocks, and Replacement Engines, refer to Selection Guide 17-22-0.

See Page 26 for Decal information.

2. Now turn to the pages titled "Specification Number Index." When scanning these pages, you'll notice:

- A. Page Numbers indexing where Group Parts are listed;
- B. Specification Numbers listed vertically down the first column;
- C. "Variation" Numbers in the Group Number columns. (These numbers specifically identify a particular group (combination) of parts used in a particular model(s)—and is used to locate the specific part number.)

HOW TO FIND YOUR PART NUMBER

M10

Index Number	Description	Part Number	Index Number	Description	Part Number
1	Wing nut 1/4-20 576	1-275-7	6	Element	45 623 02
2	Cover, air cleaner 576	47 608 63	7	Nut	231002
3	Nut, Jam 1/4-20 576	41 109 04	8	Screw, hex, wash. hd. 10-32 x 1 1/2 (2)	1-47-45
4	Cover, air cleaner element 576	52 632 54	9	Base, air cleaner 576	47 604 20
5	Pre-cleaner, element 576	45 623 01			

3. Look at the illustration and the listing of the parts making up that group.

A. All parts in the illustration are identified (or indexed) with a number or letter. Use that identifier to locate that part description in the listing.

B. The "Variation" Number that you located in the Spec Index page is the number you should locate in the parts listing. It is a critical reference to correct part number identification.

C. Part Numbers are listed in the column to the right of Variation Numbers.

M10

There are several methods of repowering M10 engines to consider—with the choice depending on your shop facilities, repair costs, and allowable downtime of the engine.

- Engine Replacement:** When decision is to replace, use a Kohler Replacement Engine—No modifications required.
- Short Block Replacement:** When engine including the crankshaft is extensively damaged or worn internally. Refer to page 3 for short block components.
- Miniblock Replacement:** When bore, piston, and connecting rod are damaged but crankshaft and all other parts are in good condition. Refer to page 3 for miniblock components.
- Complete Overhaul:** Rebore cylinders and regrind crankshaft, using appropriate oversize and/or undersize replacement parts.

This Selection Guide provides an easy reference for determining the part number of the Replacement Engine, Short Block, or Miniblock required for the repower method selected. It also lists the part number of the crankshaft installed in the original engine.

Locate the engine specification number in the index below. Select the part number of the repair method listed in the adjacent columns.

ENGINE SPECIFICATIONS					
Engine Spec. No.	Supp. Service/Engine No.	Original Engine No.	Repower Short Block	Repower Miniblock	
481500*	461500	47 142 02	—	47 782 32	
481501*	461501	47 142 02	—	47 782 32	
481502*	481502*	47 142 02	—	47 782 32	
481503*	461505	47 142 02	—	47 782 32	
491519	—	47 142 02	—	47 782 32	
481520	—	47 142 02	—	47 782 32	

Basic Engine

Special Features

Near the end of the Parts Manual Binder is a separate section devoted to Service Engines, Short Blocks, and Miniblocks. "Selection Guides" for each model engine give several different methods of repairing Kohler engines . . . with the choice dependent on shop facilities, costs, and allowable downtime of the engine and/or the equipment.

Selection Guides are easy references for determining part numbers of Replacement Engines, Short Blocks, or Miniblocks for the repair method selected. They also list part numbers of crankshafts installed in original engines.

Here is what you'll find:

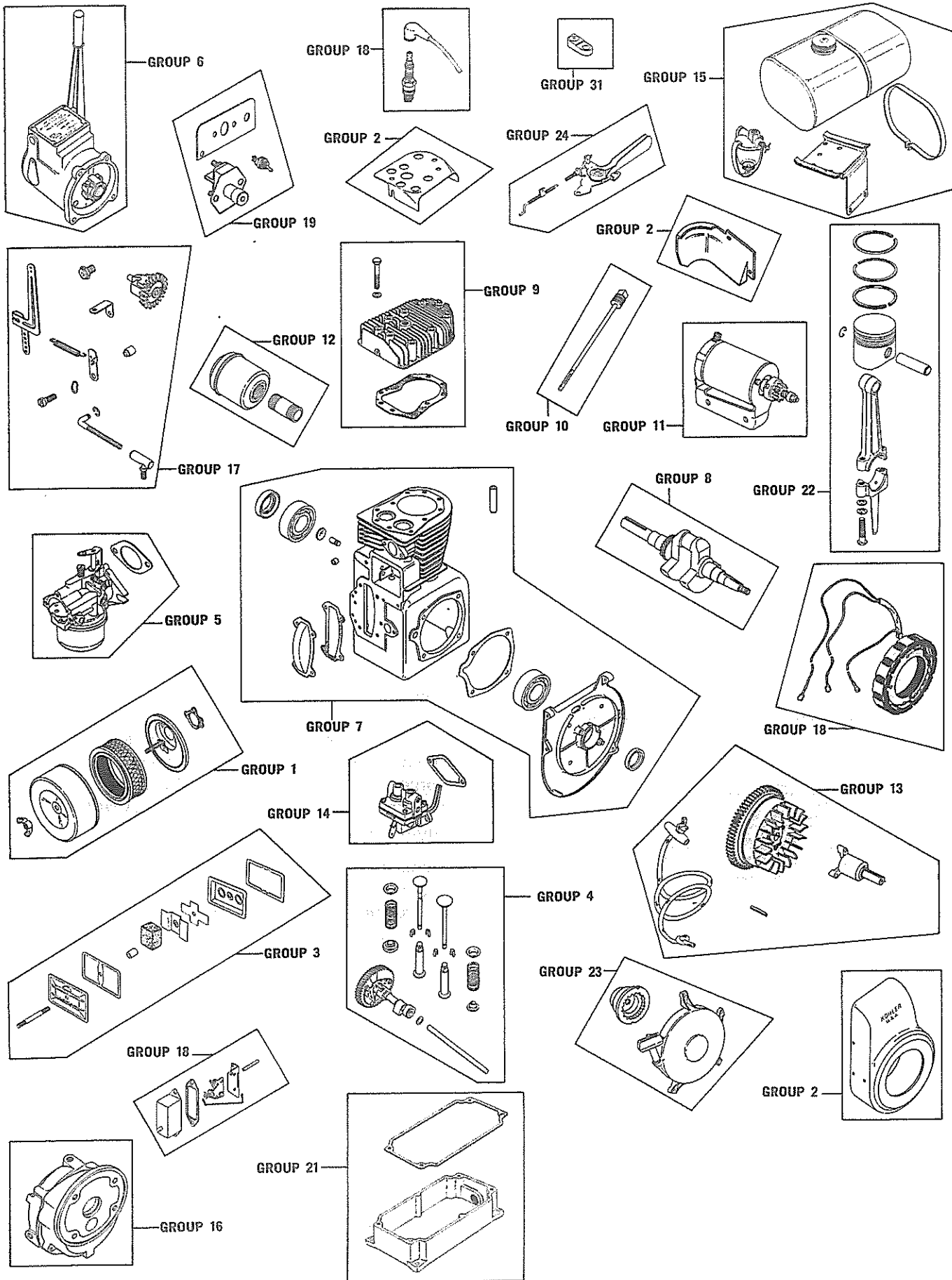
A. Engine model is identified on each page for easy reference;

B. Bold column heads identify the various repower options for every engine spec;

C. All crankshaft changes required for Service Engines or Replacement Engines are flagged with "Yes;"

D. Service Engines, Replacement Engines, Short Blocks, and Miniblocks.

COMPOSITE EXPLODED VIEW





SPECIFICATION NUMBER INDEX

Group Title & Number	AIR INTAKE	BAFFLES & SHROUD	BREATHER & VENT	CAMSHAFT & VALVES	CARBURETOR	CLUTCH	CRANKCASE	CRANKSHAFT	CYLINDER HEAD	DIPSTICK	ELECTRIC START	EXHAUST	FLYWHEEL	FUEL PUMP	FUEL TANK	GEAR REDUCTION	GOVERNOR	IGNITION	INSTRUMENT PANEL	OIL PAN	PISTON & ROD	RETRACTABLE STARTER	REMOTE THROTTLE	HIGH TEMP. CUTOUT	OIL PRESS. CUTOUT
	1	2	3	4	5	6	7	8	9	10	11	12	13	14	15	16	17	18	19	21	22	23	24	31	32
Page No.	20	23	27	28	29	34	36	38	40	43	45	57	58	62	64	67	69	73	80	82	84	85	86	87	87
Grid No.	B5	B8	B12	B13	B14	C5	C7	C9	C11	C14	D2	D14	E1	E5	E7	E10	E12	F2	F9	F11	F13	F14	G1	G2	G2

Spec. No. Variation Number

4710	1	168	1	5	402		1	166	55	1		1	227	48	44		128	178		1	17				
4712	1	3	2	6	18		1	1	25	3	14	300	3	2			2	3		7	1		10		
4715	3	2	1	8	10		154	1	25	5	7	301	3	6			7	2		1	1				
4717	3	7	1	6	3		157	1	25	1		300	500	12	501		6	6		1	1		2		
4720	1	5	1	6	1		8	1	48	1	6	1	3	1	3		1	2	1	3	1				
4721	1	8	1	6	3		157	5	25	1	300		6	5			8	7		1	1				
4725	1	5	1	8	1		8	1	48	1	6	1	3	1	3		3	2	1	3	1				
4727	6	5	1	8	1		155	7	25	2	301		8	1			1	2		1	1				
4728	6	2	1	6	1		32	8	25	2	2	1	11	35		1	1	2		1	1				
4731	6	2	1	6	1	1	156	11	25	2	2	1	11	3			1	2		1	1				
4732	4	1	1	5	1		50	17	25	3			9	1			1	8		1	1				
4739	1	2	1	8	1		157	1	25	1	13	1	3	3			1	2	3	3	1				
4740	1	2	1	8	12		8	1	25		7	14	6	4			15	2		1	1				
4741	1	6	1	6	1		8	1	48	1	6	1	3	1	3		7	12	1	3	1		5		
4743	1	8	1	8	3		154	15	25	2	302		31	8				15		1	1				
4744	1	1	1	5	1		157	8	48	1		1	1	2	24	1	1	1		1	1				
4746	1	10	1	6	9		21	16	5	4	15	8	12	4	5		1	2		8	1		6		
4747	1	1	1	5	1	1	84	21	48	1		1	1	32	24		1	1		1	1				
4749	1	169	1	5	402		1	166	55	1		1	228	48	76		128	178		1	17	11			
4750	1	5	1	8	1		157	1	48	1	6	1	3	1	3		1	2	1	3	1				
4751	4	1	1	5	1		154	17	25	2		1	9	6				8		1	1				
4752	1	5	1	6	1		157	8	48	1	6	1	3	1	3	2	1	2	1	3	1				
4753	1	168	1	5	402		157	8	55	1		1	227	48	76	2	128	178		1	17				
4756	1	23	1	7	1		1	18	48	1		1	13	33	24		301	1		1	1	1			
4757	10	151	1	5	1		1	1	48	1		10	500	33	44		1	1		1	1		200		
4758	10	5	1	6	1		1	1	48	1	6	10	3	32	44		1	2	1	3	1		200		
4759	14	10	1	6	13		21	16	48	4	15	8	12	4	6		1	2		8	1		6		
4761	1	1	1	7	1		1	1	48	1		1	1	1	1		3	1		1	1				
4762	1	5	1	6	1		157	8	48	1	6	1	3	1	3	1	1	2	1	3	1				
4763	400	17	1	6	10		29	16	25	7	17	300	14	6			302	16		8	1				
4764	1	1	1	5	1		157	1	48	1		1	9	33	24		1	18		1	1		201		
4765	8	15	1	6	10		33	1	25	5	303	9	3	5			1	21		6	1				
4766	1	14	1	6	1		8	1	48	1	6	1	3	1	3		2	12	1	3	1		5		
4768	4	2	1	6	1		1	19	25	1	7	6	3	1	502		1	5		3	1				
4769	1	13	1	5	1	1	156	11	48	2		1	1	1	1		7	1		1	1		5		

SPECIFICATION NUMBER INDEX

Group Title & Number	AIR INTAKE	BAFFLES & SHROUD	BREATHER & VENT	CAMSHAFT & VALVES	CARBURETOR	CLUTCH	CRANKCASE	CRANKSHAFT	CYLINDER HEAD	DIPSTICK	ELECTRIC START	EXHAUST	FLYWHEEL	FUEL PUMP	FUEL TANK	GEAR REDUCTION	GOVERNOR	IGNITION	INSTRUMENT PANEL	OIL PAN	PISTON & ROD	RETRACTABLE STARTER	REMOTE THROTTLE	HIGH TEMP. CUTOUT	OIL PRESS. CUTOUT
	1	2	3	4	5	6	7	8	9	10	11	12	13	14	15	16	17	18	19	21	22	23	24	31	32
Page No.	20	23	27	28	29	34	36	38	40	43	45	57	58	62	64	67	69	73	80	82	84	85	86	87	87
Grid No.	B5	B8	B12	B13	B14	C5	C7	C9	C11	C14	D2	D14	E1	E5	E7	E10	E12	F2	F9	F11	F13	F14	G1	G2	G2

Spec. No.

Variation Number

4770	1	202	1	6	3		200	21	61	39	300	302	17	15		25	15		39	1					
4771	1	1	1	7	1		1	1	48	1		1	1	1	1		1	1			1	1			
4772	7	20	3	7	1		32	20	48	2		7	32	13	9		12	36			1	1		12	
4773	7	20	3	7	1		32	20	48	2	26	7	32	13	10		12	26	4		3	1		12	
4775	1	1	1	7	1		20	8	48	1		1	1	1	1	1	1	1			1	1			
4777	1	168	1	7	1		157	166	55	1		1	227	48	44		1	178			1	1			
4780	3	6	1	7	8		8	1	48	1	19	1	1	1	3		7	1	4		3	1		5	1
4783	1	170	1	5	1		1	3	55	1		1	1	48	44		7	178			1	1		5	
4784	1	17	1	6	15		35	7	61	9	18		24	9			11	34			9	1			
4786	1	5	1	6	1	1	156	11	48	2	6	1	3	1	3		1	2	1		3	1			
4787	1	5	1	6	1		32	1	48	2	6	1	3	32	44		7	12	1		3	1		5	
4794		169	1	5	1		157	166	57	1		1	228	34			303	1			1	1	9		
4795	9	18	1	5	14		38	22	7	4			25	1			9	22			11	3	4		
4796	1	1	1	5	1		158	1	48	1		1	1	33	24		1	1			1	1			
4797	1	5	1	6	1		8	1	48	1	6	1	3	1	3		3	2	1		3	1			
4798	3	1	1	5	8		12	1	48	1		1	21	1	1		1	1			1	1			
47101	1	5	1	8	1		8	1	48	1	6	1	3	1	3		1	2	1		3	1			
47102	1	6	1	6	1	1	156	11	48	2	6	1	3	1	3		7	12	1		3	1		5	
47103	9	18	1	5	14		41	22	7	11			20	16				8			13	4	4		
47104	1	23	1	5	1		1	3	48	1		1	13	33	24		1	1			1	1	1	11	
47105	401	5	1	9	3		155	1	48	2	16	1	3	1	3		1	2	1		3	1			
47107	1	1	1	5	16		1	1	8	1		1	26	32	24		1	1			1	5			
47111	14	168	1	5	1		1	1	55	1		1	1	32	44		3	1			1	1			
47112	1	22	1	5	1		1	1	48	1		1	1	1	1		7	1			1	1		5	
47113	1	14	1	6	1		8	1	48	1	6	1	3	1	3		7	12	1		3	1		5	
47114	1	13	1	7	1	1	156	11	3	2		1	1	1			7	1			1	1		5	
47115	1	5	1	8	1	1	23	11	48	2	6	1	3	1	3		1	2	1		3	1			
47119	11	18	1	7	17		41	22	25	12		12	20	18				8			15	4	5		
47121	14	24	1	6	13		21	16	48	7	23	13	14	9	11		1	29			16	1		9	
47124	10	12	1	5	1		157	8	48	1		10	13	33	24		1	1			1	1	1	200	
47127	1	1	1	5	1		1	1	48	1			1	1	1				1		1	1			
47128	1	123	1	5	1		1	1	48	1		1	13	32	44		7	1			1	1	1	5	
47129	1	23	1	5	16		1	1	8	1		1	29	32	24		7	1			1	5	1	5	
47135	1	28	1	8	1		8	1	48	1	32	1	3	4	22		3	2	1		3	1			
47138	14	10	1	6	13		21	16	48	4	28	8	12	4	6		1	2			8	1		15	

SPECIFICATION NUMBER INDEX

Group Title & Number	AIR INTAKE	BAFFLES & SHROUD	BREATHER & VENT	CAMSHAFT & VALVES	CARBURETOR	CLUTCH	CRANKCASE	CRANKSHAFT	CYLINDER HEAD	DIPSTICK	ELECTRIC START	EXHAUST	FLYWHEEL	FUEL PUMP	FUEL TANK	GEAR REDUCTION	GOVERNOR	IGNITION	INSTRUMENT PANEL	OIL PAN	PISTON & ROD	RETRACTABLE STARTER	REMOTE THROTTLE	HIGH TEMP. CUTOFF	OIL PRESS. CUTOFF
	1	2	3	4	5	6	7	8	9	10	11	12	13	14	15	16	17	18	19	21	22	23	24	31	32
Page No.	20	23	27	28	29	34	36	38	40	43	45	57	58	62	64	67	69	73	80	82	84	85	86	87	87
Grid No.	B5	B8	B12	B13	B14	C5	C7	C9	C11	C14	D2	D14	E1	E5	E7	E10	E12	F2	F9	F11	F13	F14	G1	G2	G2

Spec. No. Variation Number

47139	1	5	1	6	1		2	3	25	2	6		34	3			2	2	7	3	1				
47140	10	152	1	5	1		1	1	48	1		10	13	33	44		1	1		1	1	1	200		
47145	1	89	1	5	1		191	1	48	1	30	1	62	3	514		1	512	9	1	1				
47147	1	45	2	5	18		138	1	25	3	37	300	91	2			2	509		23	1		10		
47151	3	23	1	7	1		1	1	48	1		1	13	1	1		7	1		1	1	1	5	1	
47159	1	168	1	7	1		157	10	55	1		1	1	33	44		3	1		1	1				
47160	1	68	2	7	26		56	26	11	17	40		36	4			14	33		8	6				
47162	1	2	1	5	3		157	1	25	1	39	1	39	300	503		1	40	205	1	1				
47167	7	20	3	7	1		32	20	48	2	26	7	32	13	10		12	26	8	3	1		12		
47174	1	5	1	6	1		158	3	48	1	6	1	2	1	3		1	2	1	3	1				
47175	402	181	2	8	26		144	21	73	17	50		61	4			14	72		8	1				
47176	69	176	1	7	1		233	148	57	200		1	227	76			132	178		1	1				
47181	1	162	1	7	1		62	20	48	5	45		40	13	49		12	47	13	26	1		12		
47183	69	176	1	7	1		235	34	57	200		1	227	76			132	178		1	1				
47184	1	177	1	7	1		47	4	57	2		31	39	28			5	27		4	1				
47185		17	1	8	15		34	21	25				42	15			1	2		12	1				
47186	1	148	1	7	1		235	65	25	200		1	137	33			27	1		1	1				
47187	1	148	1	7	1		233	34	25	200		1	137	33			27	1		1	1				
47188	1	210	1	7	123		32	20	57	5		46	278	76			12	157		1	17		12		
47196	1	12	1	5	16		157	8	8	1		1	29	32	24	2	3	1		1	5	1			
47199	3	44	1	6	19		75	24	1	9	38		14	15			2	37		8	1		16		
47201	1	12	1	5	16		157	1	8	1		1	29	10	1	2	3	1		1	5	1			
47202	1	1	1	5	29		154	1	25	2		1	1	4			1	1		20	1				
47204	3	45	1	5	3		161	1	1	1	40	300	502	12	501		6	62		1	1		2		
47210	1	13	1	5	16		1	1	8	1		1	26	32	24		7	1		1	5		5		
47215	1	210	1	7	123		32	20	55	5		46	278	76	51		12	157		1	17		12		
47216	16	154	1	7	1		32	20	48	5	26	7	32	13	48		12	26	8	3	1		12		
47222	1	170	1	5	1		157	8	55	1		1	1	32	44	2	7	1		1	1		5		
47225	3	23	1	7	1		157	27	48	1		1	13	33	24		7	1		1	1	1	5		
47226	1	13	1	7	1		157	1	48	1		1	1	32	24		7	1		1	1		5		
47228	1	20	1	7	16		32	20	8	2		7	47	10	9		12	36		1	5		12		
47232	3	82	1	5	19		165	24	15	23	40		71	21			2	61		1	1		16		
47233	403	1	1	10	3		155	1	48	2		1	1	33	24		1	1		1	1				
47234	1	41	1	7	1		62	20	48	2	30	7	40	13	512		12	45	9	1	1		12		
47235	3	168	1	7	1		1	1	55	1		1	1	33	52		3	1		1	1				

SPECIFICATION NUMBER INDEX

Group Title & Number	AIR INTAKE	BAFFLES & SHROUD	BREATHER & VENT	CAMSHAFT & VALVES	CARBURETOR	CLUTCH	CRANKCASE	CRANKSHAFT	CYLINDER HEAD	DIPSTICK	ELECTRIC START	EXHAUST	FLYWHEEL	FUEL PUMP	FUEL TANK	GEAR REDUCTION	GOVERNOR	IGNITION	INSTRUMENT PANEL	OIL PAN	PISTON & ROD	RETRACTABLE STARTER	REMOTE THROTTLE	HIGH TEMP. CUTOUT	OIL PRESS. CUTOUT
	1	2	3	4	5	6	7	8	9	10	11	12	13	14	15	16	17	18	19	21	22	23	24	31	32
Page No.	20	23	27	28	29	34	36	38	40	43	45	57	58	62	64	67	69	73	80	82	84	85	86	87	87
Grid No.	B5	B8	B12	B13	B14	C5	C7	C9	C11	C14	D2	D14	E1	E5	E7	E10	E12	F2	F9	F11	F13	F14	G1	G2	G2

Spec. No.

Variation Number

47236	1	5	1	7	1		158	1	48	1	6	1	1	1	14		3	1	4	3	1				
47237	1	168	1	7	1		157	1	55	1		1	33	44		3	1		1	1					
47238	20	15	2	6	10		33	3	25	5	303	9	3	5		17	21		6	1					
47239	1	66	1	5	3		98	1	3	1	37	1	33	4	504		1	48	205	1	1				
47244	10	5	1	6	1		158	1	48	1	6	3	3	1	3		1	2	1	3	1				
47245	16	56	1	7	1		32	20	48	5		7	32	33	30		12	36		1	1		12		
47247	1	19	1	5	1		100	1	48	1	30	1	33	3	513		1	510	9	1	1		201		
47248	11	48	1	7	33		41	17	25	12		12	20	16			8		15	4	5				
47249	1	89	1	7	1		162	1	48	2	30	1	62	27	514		7	509	10	1	1		5		
47252	1	89	1	5	1		128	1	25	1	30	1	62	1			1	509		1	1				
47254	1	55	1	5	9		117	1	10	1	37	1	33	4	6		1	32		1	1				
47255	1	97	1	5	3		185	3	15	31	37		503	1			10	49		1	1				
47257	1	19	1	5	3		113	14	48	2	30	5	33	3	513		1	510	9	1	1		18		
47264	6	5	1	8	29		4	7	25	2	304		8	4			1	2		20	1				
47267	16	20	1	7	1		32	20	48	2		7	32	13	25		12	36		1	1		12		
47268	6	2	1	8	10		154	1	25	5	7	301	3	6			7	2		1	1				
47272	1	19	1	7	1		191	1	48	1	30	1	48	33	515		3	1	10	1	1				
47273	8	19	1	5	3		113	1	48	5	30		33	4	15		1	517	201	1	1				
47275	8	91	1	10	3		152	1	25	28	37	1	69	1			3	508		6	1				
47277	1	98	1	5	3		152	1	25	1	37	302	62	4			305	64		2	1				
47278	1	106	1	7	3		185	1	25	31	37	302	90	2			1	67		1	1				
47279	1	186	1	8	42		161	3	57	3	37	303	96	4			1	120		1	1				
47284	1	69	1	5	1		152	1	48	1	30	19	91	33	44		1	83	202	1	1				
47289	8	93	1	5	3		159	29	48	35	30		62	25	15		1	518	201	1	1				
47293	6	5	1	8	1		143	51	25	30	301		8	1			1	2		1	1				
47295	1	106	1	7	47		185	1	25	201	37		90	4			1	67		1	1				
47296	10	19	1	5	1		145	1	48	1	30	10	33	3	513		1	510	9	1	1		200		
47297	11	212	1	7	33		147	17	57	12		12	76	16			9	8		12	1	6			
47303	21	111	1	5	3		184	65	15	31	37		77	6			10	53		1	1				
47304	6	93	1	7	1		162	3	48	2	30	11	91	3	514		10	511	9	1	1				
47305	1	89	1	7	1		152	1	48	1	30	1	62	3	37		3	512	9	1	1				
47306	1	16	1	6	3		200	21	25	8		302	17	15			10	15		9	1				
47309	1	115	1	11	42		168	57	25	2	37	302	86	1			1	121		1	1				
47310	1	115	1	10	29		168	57	25	2	41	302	86	4			1	57		20	1				
47312	1	197	2	5	1		170	34	65	1		302	1	4	505		17	60		1	1				

SPECIFICATION NUMBER INDEX

Group Title & Number	AIR INTAKE	BAFFLES & SHROUD	BREATHER & VENT	CAMSHAFT & VALVES	CARBURETOR	CLUTCH	CRANKCASE	CRANKSHAFT	CYLINDER HEAD	DIPSTICK	ELECTRIC START	EXHAUST	FLYWHEEL	FUEL PUMP	FUEL TANK	GEAR REDUCTION	GOVERNOR	IGNITION	INSTRUMENT PANEL	OIL PAN	PISTON & ROD	RETRACTABLE STARTER	REMOTE THROTTLE	HIGH TEMP. CUTOUT	OIL PRESS. CUTOUT
	1	2	3	4	5	6	7	8	9	10	11	12	13	14	15	16	17	18	19	21	22	23	24	31	32
Page No.	20	23	27	28	29	34	36	38	40	43	45	57	58	62	64	67	69	73	80	82	84	85	86	87	87
Grid No.	B5	B8	B12	B13	B14	C5	C7	C9	C11	C14	D2	D14	E1	E5	E7	E10	E12	F2	F9	F11	F13	F14	G1	G2	G2

Spec. No. Variation Number

47313	3	111	1	5	3		182	29	25	1	40	300	81	12	506		6	62		1	1		2		
47314	1	89	1	5	3		159	34	48	28	30	5	62	25	514		1	67	9	1	1		18		
47315	1	5	1	8	1		22	14	48	1	6	1	3	1	3		3	2	1	3	1				
47332	6	101	1	7	3		154	1	15	5		301	13	1			7	1		1	1	1			
47335	6	86	1	7	10		168	1	15	5	37	301	73	6			7	89		1	1				
47336	6	99	1	5	8		186	8	15	2	40	1	85	3		2	1	80		1	1				
47339	1	111	1	5	3		184	65	25	31	37		121	6			10	58		30	1				
47340	1	45	2	5	18		184	65	25	30	37	27	91	2			2	509		23	1		10		
47342	11	23	1	5	1		154	1	48	2		1	13	33	26		1	1		1	1	1	5		
47344	1	152	1	5	1		157	8	48	1		1	13	32	60	2	1	1		1	1	1			
47345	1	162	1	7	1		62	20	48	5	45		98	33	49		12	26	13	26	1		12		
47346	1	98	1	5	3		172	29	25	1	37	302	62	4			306	64		2	1				
47347	14	103	1	6	50		21	16	24	4	28	25	12	4	22		1	2		8	1		15		
47349	1	16	1	6	3		200	21	25	39		302	17	15			25	15		9	1				
47350	6	102	1	7	3		152	1	15	1	37		91	3			1	516		1	1				
47351	1	169	1	5	402		157	8	55	1		1	228	76	44	2	128	1		1	17	11			
47352	1	169	1	5	1		1	1	55	1		1	13	53	44		1	1		1	1	1			
47358	1	169	1	7	1		157	166	55	1		1	228	48	44		1	1		301	1	8			
47362	1	89	1	7	1		161	1	48	1	30	1	62	3	514		1	512	9	1	1				
47363	1	89	1	5	1	1	206	21	48	2	30	1	62	3	514		1	512	9	1	1				
47364	404	169	1	7	69		32	3	57	2		301	13	19			23	1		1	1	1			
47365	1	89	1	5	1		161	8	48	1	30	1	62	3	514	2	1	512	9	1	1				
47366	30	168	1	5	42		1	1	55	1		1	502	32	44		1	1		1	1				
47367	1	55	1	7	22		128	1	48	1	37		62	4	6		3	82	11	1	1				
47369	1	182	1	8	3		152	3	57	28	54	31	65	4			15	519		1	1				
47371	1	111	2	5	18		184	65	25	30	37	27	91	2			21	509		23	1		10		
47374	1	89	1	5	3		172	34	25	1	30	1	62	34			1	67		1	1				
47375	1	89	1	5	1		191	1	48	1	30	1	62	32	24		7	66	14	1	1		5		
47376	14	209	1	6	15		208	30	72	40	28	34	12	4	22		1	2		8	1		15		
47378	1	89	1	7	1		161	10	48	1	30	1	62	3	514		3	512	9	1	1				
47380	1	1	1	5	16		157	8	8	1		1	26	32	24	2	3	1		1	5				
47381	8	109	1	7	1		32	3	48	5		1	1	33	28		7	78	200	1	1		5		
47382	1	202	1	6	3		200	21	61	39		302	108	15			25	15		39	1				
47387	1	69	1	5	3		172	29	48	1	30	1	91	29	514		10	512	9	1	1				
47389	1	102	1	7	3		152	21	15	28	37	301	91	4			7	103		30	1				

SPECIFICATION NUMBER INDEX

Group Title & Number	AIR INTAKE	BAFFLES & SHROUD	BREATHER & VENT	CAMSHAFT & VALVES	CARBURETOR	CLUTCH	CRANKCASE	CRANKSHAFT	CYLINDER HEAD	DIPSTICK	ELECTRIC START	EXHAUST	FLYWHEEL	FUEL PUMP	FUEL TANK	GEAR REDUCTION	GOVERNOR	IGNITION	INSTRUMENT PANEL	OIL PAN	PISTON & ROD	RETRACTABLE STARTER	REMOTE THROTTLE	HIGH TEMP. CUTOUT	OIL PRESS. CUTOUT
	1	2	3	4	5	6	7	8	9	10	11	12	13	14	15	16	17	18	19	21	22	23	24	31	32
Page No.	20	23	27	28	29	34	36	38	40	43	45	57	58	62	64	67	69	73	80	82	84	85	86	87	87
Grid No.	B5	B8	B12	B13	B14	C5	C7	C9	C11	C14	D2	D14	E1	E5	E7	E10	E12	F2	F9	F11	F13	F14	G1	G2	G2

Spec.
No.

Variation Number

47391	1	105	1	5	1		172	34	15	1	37		123	19			25	93		1	1				
47393	1	138	2	6	53		211	3	33	7	305	29	112	4	27		307	110		300	1				
47394	1	172	1	6	1		152	1	55	1	30	1	123	48	500		1	515	18	1	1				
47395	405	115	2	8	3		215	31	29	17	40		106	4			14	86		24	6				
47397	1	118	1	5	1		152	1	48	1	30	1	123	32	43		1	94	19	1	1				
47398	14	209	1	6	50		21	16	72	4	15	34	12	4	22		1	2		8	1		15		
47399	405	115	2	8	3		144	31	29	17	40		61	4			14	72		24	6				
47400	1	113	1	5	3		500	65	15	31	37	1	91	3			10	67		1	1				
47402	6	86	1	7	3		186	3	15	5	37	301	73	19			7	88		1	1				
47403	1	111	1	5	3		184	65	15	31	37		115	6			25	74		1	1				
47404	1	183	1	6	3		184	65	57	31	37		120	56			25	108		2	1				
47407	1	111	2	5	18		184	65	15	30	37	27	117	2			21	102		23	1		10		
47410	3	82	1	5	19		165	24	15	23	53		123	21			21	91		1	1		16		
47411	24	133	1	6	3		184	1	25	30	37		123	1			10	75		2	1				
47412	1	172	1	8	1		161	1	55	1	30	1	123	48	500		1	513	18	1	1				
47413	25	186	1	8	57		185	166	57	31	58	46	230	31			129	507	25	1	17				
47414	25	186	1	8	47		185	166	70	31	58	46	230	4			3	119	25	1	17				
47416	1	214	1	8	1		152	166	71	1	37	1	232	4	22		129	112	21	1	17				
47417	1	215	1	8	3		184	29	78	31	37		123	51	511		25	130		1	1				
47419	406	115	2	8	3		215	31	29	17	40		61	4			14	72		24	6				
47420	6	86	1	7	3		186	3	15	5	37	301	123	19			7	95		1	1				
47421	1	183	2	6	18		184	65	57	64	37	46	117	2			21	127		23	1		10		
47422	1	135	1	7	3		172	76	25	28	37	301	117	4			7	104		30	1				
47423	1	105	2	7	3		172	29	25	1	37	300	103	4			24	97		2	1				
47424	406	166	1	7	74		168	1	58	5	37	301	123	6			7	99		37	1				
47425	1	172	1	6	1		161	8	55	1	30	1	123	48	43	2	1	515	18	1	1				
47426	1	172	1	6	1		152	1	55	1	30	304	123	33	517		1	100	204	1	1				
47427	3	216	1	7	10		157	4	55	1			501	33	51		1	1		1	1				
47428	6	186	1	6	42		186	8	57	2	37	1	124	3		2	1	101		1	1				
47433	3	167	2	8	26		223	74	53	42	50		128	26			20	105		8	1				
47434	3	172	1	8	1		161	10	55	1	61	1	123	33	500		3	514	18	1	1				
47435	14	172	1	8	1		161	4	55	1	56	1	123	33	41		7	131		1	1		5		
47436	1	183	2	8	62		172	29	58	1	37	302	117	4			24	92		2	1				
47438	3	172	1	8	1		152	1	55	1	61	1	103	53	518		3	514	18	1	1				
47440	1	172	5	6	1		186	8	55	2	30	1	123	32	500	2	1	513	18	1	1				

SPECIFICATION NUMBER INDEX

Group Title & Number	AIR INTAKE	BAFFLES & SHROUD	BREATHER & VENT	CAMSHAFT & VALVES	CARBURETOR	CLUTCH	CRANKCASE	CRANKSHAFT	CYLINDER HEAD	DIPSTICK	ELECTRIC START	EXHAUST	FLYWHEEL	FUEL PUMP	FUEL TANK	GEAR REDUCTION	GOVERNOR	IGNITION	INSTRUMENT PANEL	OIL PAN	PISTON & ROD	RETRACTABLE STARTER	REMOTE THROTTLE	HIGH TEMP. CUTOUT	OIL PRESS. CUTOUT
	1	2	3	4	5	6	7	8	9	10	11	12	13	14	15	16	17	18	19	21	22	23	24	31	32
Page No.	20	23	27	28	29	34	36	38	40	43	45	57	58	62	64	67	69	73	80	82	84	85	86	87	87
Grid No.	B5	B8	B12	B13	B14	C5	C7	C9	C11	C14	D2	D14	E1	E5	E7	E10	E12	F2	F9	F11	F13	F14	G1	G2	G2

Spec. No. **Variation Number**

47444	1	118	1	6	1		168	17	48	2	30	1	123	32	44		25	90		1	1				
47445	1	89	1	6	1		128	1	47	1	30	1	123	32	42		7	537	22	1	1		5		
47446	14	141	1	6	50		226	30	40	44	28	25	12				26	114		36	1		21		
47448	1	131	2	6	53		225	3	43	7	37	29	126	4	27		307	111		8	1				
47454	1	172	1	8	3		186	1	55	2	30	1	123	32	500		25	513	18	1	1				
47456	1	111	1	6	3		184	65	15	31	37		115	6			25	126		1	1				
47458	1	187	1	8	62		172	76	57	28	37	301	117	4			7	122		30	1				
47459	1	179	1	6	19		165	24	15	23	37		143	49			21	128		1	1		16		
47460	69	334	1	8	1		234	148	57	200		1	233	76			132	150		1	17				
47462	1	148	1	7	1		233	83	25	200		1	137	33			27	1		1	1				
47465	69	188	1	8	3		232	165	57	44		1	268	76			132	177		36	17				
47467	1	172	1	6	1		152	1	55	1	30	1	123	48	500		7	526	18	1	1		5		
47468	1	169	1	5	1		154	1	55	2		1	102	32	44		25	1		1	1	7			
47470	1	196	2	6	62		225	3	63	7	37	29	126	4	27		307	111		38	1				
47474	3	167	2	8	26		242	74	53	15	50		128	26			20	105		44	1				
47476	1	172	1	6	1		152	166	55	28	30	313	235	48	519		7	116	39	1	1		5		
47477	14	171	1	7	1		157	4	55	1		1	102	33	44		7	1		1	1	7	5		
47478	1	172	1	8	1		161	1	55	1	30	1	123	32	500		7	527	18	1	1		5		
47479	407	221	1	6	77		21	86	61	12			141	6			28	133		43	1				
47482	1	179	1	6	19		268	1	57	23	37		143	49			21	128		1	1		16		
47484	1	172	1	6	1		168	1	55	2	30	1	123	32	43		1	513	18	1	1				
47485	1	174	1	6	3		200	21	68	39	59		108	15			25	135		39	1				
47490	1	172	1	8	1		172	29	55	28	30	300	123	32	41		25	90	203	1	1				
47491	16	210	1	7	42		32	20	57	5		7	32	43			12	26		1	1		12		
47494	1	172	1	8	1		152	1	55	1	30	1	123	32	500		7	527	18	1	1		5		
47498	24	166	1	8	74		168	1	58	5	37	3	123	6			7	141		37	1				
47499	1	186	1	8	3		152	3	57	1	37	12	96	4			1	501		1	1				
47502	1	196	2	6	62		270	3	63	17	37	302	126	4	27		307	111		38	1				
47504	1	217	1	38	50		226	30	72	44	28	34	265	4			133	114		36	17		15		
47507	1	172	1	23	1		1	1	57	1	60	2	147	42			3	1	28	1	1				
47509	1	220	2	10	3		1	3	81	1		302	13	32			17	144		2	1	1			
47514	1	227	1	7	1		32	20	55	5			153	33	51		12	157		1	1	1	12		
47515	3	172	1	8	1		152	1	55	3	61	1	154	33	518		3	15	23	1	1				
47519	1	182	1	8	3		172	65	57	28	54	306	65	4			15	501		1	1				
47525	42	233	1	5	81		1	1	86	1		1	26	4	54		1	1		1	5				

SPECIFICATION NUMBER INDEX

Group Title & Number	AIR INTAKE	BAFFLES & SHROUD	BREATHER & VENT	CAMSHAFT & VALVES	CARBURETOR	CLUTCH	CRANKCASE	CRANKSHAFT	CYLINDER HEAD	DIPSTICK	ELECTRIC START	EXHAUST	FLYWHEEL	FUEL PUMP	FUEL TANK	GEAR REDUCTION	GOVERNOR	IGNITION	INSTRUMENT PANEL	OIL PAN	PISTON & ROD	RETRACTABLE STARTER	REMOTE THROTTLE	HIGH TEMP. CUTOUT	OIL PRESS. CUTOUT
	1	2	3	4	5	6	7	8	9	10	11	12	13	14	15	16	17	18	19	21	22	23	24	31	32
Page No.	20	23	27	28	29	34	36	38	40	43	45	57	58	62	64	67	69	73	80	82	84	85	86	87	87
Grid No.	B5	B8	B12	B13	B14	C5	C7	C9	C11	C14	D2	D14	E1	E5	E7	E10	E12	F2	F9	F11	F13	F14	G1	G2	G2

Spec. No.

Variation Number

47526	1	182	1	8	3		284	65	57	48	54		65	4			15	501		1	1				
47527	1	168	1	7	1		157	3	55	1			1	33	44		3	1		1	1				
47528	25	169	1	7	1		157	1	57	1			13	32			15	1		1	1	1			
47529	38	174	1	6	3		200	21	68	39			108	46			25	500		39	1				
47531	1	172	1	6	1		161	8	55	1	30	1	123	32	500	2	1	513	18	1	1				
47532	1	169	1	5	1		157	8	55	1		1	13	32	44	2	1	1		1	1	1			
47533	1	186	1	8	3		172	65	57	1	37	12	96	4			1	501		1	1				
47534	22	169	1	5	42		1	1	55	1		307	13	32	44		1	1		1	1	1	202		
47536	42	233	1	5	81		1	1	86	1		1	26	4	54		7	1		1	5		5		
47537	1	186	1	8	42		291	65	57	48	37	308	96	4			1	502		1	1				
47538	1	168	1	7	1		178	65	55	1			1	33	44		3	1		1	1				
47540	25	183	1	6	3		184	31	87	31	37	39	115	43			25	151		2	1				
47541	46	225	1	6	84		289	96	84	55	58	39	151	4			33	161		36	1				
47542	45	228	8	8	82		286	74	84	52	50	42	156	45			32	506		44	1				
47543	1	171	1	5	1		157	8	55	1		1	13	32	44	2	7	1		1	1	1	5		
47545	42	233	1	5	81		1	1	86	1		1	505	4	54		3	1		1	5				
47546	42	233	1	5	81		157	8	86	1		1	26	4	54	2	3	1		1	5				
47547	32	172	1	6	42		152	1	55	1	30	1	123	32	500		7	536	33	1	1		5		
47548	32	219	1	6	29		152	1	70	3	54	1	123	4			7	535	32	20	1		5		
47549	38	186	1	8	91		159	65	57	41	37	12	96	4			34	501		46	1				
47550	1	169	1	7	1		157	10	55	1		1	13	32	44		1	1		1	1	1			
47551	3	174	1	7	5		47	4	57	2		2	158	28			16	27		4	1				
47553	3	211	1	7	1		47	4	61	2			160	1	20		16	35		4	1	7			
47563	3	174	1	25	54		47	4	70	2		31	158	4			16	27		4	1				
47567	16	185	1	7	42		32	20	57	5	65	7	98	43			12	501	19	1	1		12		
47568		168	1	5	1		157	1	57	1		1	501	21			1	1		1	1		203		
47570	3	196	2	6	62		270	3	63	17	53		126	4	27		17	111		43	1				
47571	1	233	1	5	81		1	1	86	1		1	26	4	54		41	1		1	5				
47580	1	233	1	7	81		157	10	86	1		1	26	4	54		3	1		1	5				
47581	50	237	1	6	84		295	96	84	52	69	39	151	4			33	161		36	1				
47582	14	172	1	8	3		161	8	55	3	56		123	32	41	2	25	505		1	1				
47585	53	228	8	6	82		298	3	84	52	58	39	170	2			33	530	31	44	1				
47586	25	186	1	6	42		186	8	57	2	37	1	124	3		2	1	101		1	1				
47587	1	172	1	6	1		172	29	55	1	30	1	123	32	500		1	513	18	1	1				
47588	38	195	1	6	91		200	21	88	39	66		108	46			300	159		39	1				

SPECIFICATION NUMBER INDEX

Group Title & Number	AIR INTAKE	BAFFLES & SHROUD	BREATHER & VENT	CAMSHAFT & VALVES	CARBURETOR	CLUTCH	CRANKCASE	CRANKSHAFT	CYLINDER HEAD	DIPSTICK	ELECTRIC START	EXHAUST	FLYWHEEL	FUEL PUMP	FUEL TANK	GEAR REDUCTION	GOVERNOR	IGNITION	INSTRUMENT PANEL	OIL PAN	PISTON & ROD	RETRACTABLE STARTER	REMOTE THROTTLE	HIGH TEMP. CUTOFF	OIL PRESS. CUTOFF
	1	2	3	4	5	6	7	8	9	10	11	12	13	14	15	16	17	18	19	21	22	23	24	31	32
Page No.	20	23	27	28	29	34	36	38	40	43	45	57	58	62	64	67	69	73	80	82	84	85	86	87	87
Grid No.	B5	B8	B12	B13	B14	C5	C7	C9	C11	C14	D2	D14	E1	E5	E7	E10	E12	F2	F9	F11	F13	F14	G1	G2	G2

Spec. No.

Variation Number

47589	1	220	2	10	3		170	65	81	1		302	13	32			17	144		2	1	1			
47593	1	174	1	7	5		300	67	57	28		2	158	28			16	27		4	1				
47594	1	211	1	7	1		300	67	61	28			160	1	20		44	35		4	1	7			
47596	1	174	1	7	54		300	67	70	48		31	158	4			16	27		4	1				
47599		238	5	5	19		301	24	58	48			13	47			21	167		1	1	1	16		
47601	1	179	1	6	19		165	24	58	23	37		143	47			21	128		1	1		16		
47602	1	168	1	5	1		303	1	55	2		1	1	32	44		25	1		1	1				
47606	64	231	8	6	106		289	3	84	53	37	39	240	4			33	143		49	1				
47608	1	172	1	6	1		168	16	57	2	30		123	32			1	520		1	1				
47609	1	219	1	6	42		152	17	57	1	67	4	123	32			1	528	27	1	1				
47611	38	186	1	8	95		182	65	57	41	37		96	4			1	502		46	1				
47612	38	186	1	6	91		200	21	88	39	69		116	49			25	168		39	1				
47614	1	179	1	6	19		268	1	58	23	37		123	21			21	128		1	1		16		
47618	38	186	1	8	137		159	65	90	56	37	12	96	4			34	170		50	1				
47619	52	169	1	5	42		318	148	55	48		304	13	48	44		25	182		1	1	8			
47620	45	228	8	8	82		286	74	84	52	50	42	168	52			45	148		44	1				
47622	50	237	1	6	403		295	96	84	52	71	39	151	4			33	173		36	1				
47624	1	183	2	6	97		184	65	57	30	37		117	55			46	127		23	1		10		
47625	25	172	1	6	1		168	1	57	23	54		123	53			1	90		1	1				
47627	1	248	1	6	3		308	7	61	9	37		156	58			11	181		43	1				
47628	1	172	1	6	1		172	29	55	28	30		123	32	41		1	507	25	1	1				
47629	1	172	1	23	1		1	166	55	1	30	310	236	48	521		135	182	36	1	17		5		
47630	54	171	10	10	42		285	1	57	30			13	33			1	182		1	1	1	23		
47631	1	169	1	7	119		322	4	55	48			13	48	51		55	35		1	1	1			
47634	3	249	2	8	98		242	26	91	7	50		173	52			47	184		44	1				
47638	1	250	1	6	1		161	1	92	1	30		164	48	508		6	185		1	1		2		
47640	71	228	8	8	144		242	165	84	52	62	42	260	59			126	208	31	54	17				
47641	1	182	1	8	3		284	65	57	48	54		65	4			15	501		53	1				
47642	25	183	1	6	3		184	31	87	31	37	39	174	51			25	186		2	1				
47643	53	228	8	6	82		298	3	84	52	69	39	170	59			51	153		44	1				
47647	1	185	1	7	1		157	1	55	28	30	300	147	48	51		12	157		1	1		25		
47648	1	183	2	6	97		302	65	57	57	37		117	60			46	127		52	1		10		
47649	1	219	1	11	42		172	34	57	1	54		123	32			1	507	25	1	1				
47650	1	183	1	6	1		161	1	82	1	37	309	504	48	507		6	158		1	1		2		
47651	1	253	1	6	402		152	1	55	1	30	1	123	48	519		1	523	37	1	1				

SPECIFICATION NUMBER INDEX

Group Title & Number	AIR INTAKE	BAFFLES & SHROUD	BREATHER & VENT	CAMSHAFT & VALVES	CARBURETOR	CLUTCH	CRANKCASE	CRANKSHAFT	CYLINDER HEAD	DIPSTICK	ELECTRIC START	EXHAUST	FLYWHEEL	FUEL PUMP	FUEL TANK	GEAR REDUCTION	GOVERNOR	IGNITION	INSTRUMENT PANEL	OIL PAN	PISTON & ROD	RETRACTABLE STARTER	REMOTE THROTTLE	HIGH TEMP. CUTOUT	OIL PRESS. CUTOUT
	1	2	3	4	5	6	7	8	9	10	11	12	13	14	15	16	17	18	19	21	22	23	24	31	32
Page No.	20	23	27	28	29	34	36	38	40	43	45	57	58	62	64	67	69	73	80	82	84	85	86	87	87
Grid No.	B5	B8	B12	B13	B14	C5	C7	C9	C11	C14	D2	D14	E1	E5	E7	E10	E12	F2	F9	F11	F13	F14	G1	G2	G2

Spec. No.

Variation Number

47652	1	215	1	8	3		184	29	78	31	37		123	51			25	130		1	1				
47673	45	254	8	8	98		242	26	91	7	50		173	59			47	189	31	44	1				
47677	1	253	1	8	1		161	10	55	1	30	1	232	76	521		129	529	37	1	17				
47678	1	253	1	8	3		186	166	55	2	30	1	232	48	521		133	529	37	1	17				
47679	1	253	1	6	1		152	166	55	1	30	1	232	48	519		7	180	37	1	1		5		
47681	1	253	1	8	3		161	8	55	3	30		123	48	41	2	25	197		1	1				
47685	1	253	1	8	1		152	1	55	1	30	1	103	53	518		3	524	37	1	1				
47687	1	216	1	7	1		157	108	55	1			501	53	51		52	191		1	1				
47688	25	253	1	6	1		284	148	55	48	30	46	232	48	59		1	533	38	1	1				
47689	54	171	10	10	42		321	29	57	30			13	53			1	182		1	1	1	23		
47690	1	253	1	8	119		277	4	55	48	30		123	48	56		55	193		1	1				
47691	1	172	1	7	1		1	1	55	3	30	1	48	53	518		3	182	36	1	1				
47692	1	179	1	6	19		165	24	94	23	37		178	50			21	196		1	1		16		
47693	1	179	1	6	19		268	1	57	23	37		123	49			21	128		1	1		16		
47694	25	255	1	6	42		186	8	57	2	37	1	124	3		2	1	206		1	1				
47696	25	172	1	6	1		284	29	55	48	30		123	48	41		1	521	25	1	1				
47697	3	172	1	7	1		32	110	55	23	61		147	48	41		54	178		1	1				
47705	25	258	1	6	3		308	7	61	9	58	46	255	58			11	204	31	43	17				
47706	25	179	9	8	115		268	1	57	23	37		123	49			21	128		1	1		16		
47707		179	9	8	115		165	24	94	23	37		143	50			21	128		1	1		16		
47708		238	9	5	115		301	24	94	48			13	50			21	167		1	1	1	16		
47711	3	172	1	7	1		32	110	55	23	61		147	48	41		56	178		1	1		24		
47712	1	259	1	7	1		314	107	61	28	70		186	48			44	205		1	1	7			
47714	62	169	1	5	1		334	21	57	30			13	4			1	178		1	1	1			
47715	1	211	1	7	1		314	107	61	28			102	48			44	35		1	1	7			
47717		171	1	5	1		1	166	96	28		1	228	48	76		135	178		1	17	8	5		
47718	25	261	1	6	3		184	31	95	31	37	39	188	51			58	207		2	1				
47719	1	262	1	7	1		314	107	61	28			191	63			44	209		1	1	7			
47721	1	263	1	8	3		184	29	78	31	37		123	51			25	207		1	1				
47722	1	263	1	8	3		184	148	78	31	58	46	232	51			133	534	38	1	17				
47723	1	183	2	6	97		302	29	57	57	37		117	60			46	127		52	1		10		
47724	1	183	1	6	1		161	1	82	28	37	309	192	48	509		6	158		1	1		2		
47725	1	169	1	7	1		157	108	55	1			13	57	51		52	191		1	1	1			
47726	1	169	1	7	1		157	10	55	1		1	228	76	44		129	1		1	17	11			
47727	1	259	1	7	1		314	107	61	28	73		191	48			44	205		1	1	7			

SPECIFICATION NUMBER INDEX

Group Title & Number	AIR INTAKE	BAFFLES & SHROUD	BREATHER & VENT	CAMSHAFT & VALVES	CARBURETOR	CLUTCH	CRANKCASE	CRANKSHAFT	CYLINDER HEAD	DIPSTICK	ELECTRIC START	EXHAUST	FLYWHEEL	FUEL PUMP	FUEL TANK	GEAR REDUCTION	GOVERNOR	IGNITION	INSTRUMENT PANEL	OIL PAN	PISTON & ROD	RETRACTABLE STARTER	REMOTE THROTTLE	HIGH TEMP. CUTOFF	OIL PRESS. CUTOFF
	1	2	3	4	5	6	7	8	9	10	11	12	13	14	15	16	17	18	19	21	22	23	24	31	32
Page No.	20	23	27	28	29	34	36	38	40	43	45	57	58	62	64	67	69	73	80	82	84	85	86	87	87
Grid No.	B5	B8	B12	B13	B14	C5	C7	C9	C11	C14	D2	D14	E1	E5	E7	E10	E12	F2	F9	F11	F13	F14	G1	G2	G2

Spec. No. Variation Number

47729	69	168	1	7	1		157	10	55	1		1	227	48	44		128	178		1	17				
47730	1	262	1	7	1		314	107	61	28			191	51			44	209		1	1	7			
47731	1	259	1	7	1		314	107	61	28	73		191	51			44	205		1	1	7			
47732	45	236	8	6	82		335	148	84	28	37	45	238	70			53	531	31	1	1				
47734	1	206	1	7	54		300	67	85	28		31	158	4			16	27		4	1			1	
47735	1	169	1	5	1		1	3	55	1		1	228	48	44		1	178		1	1	8			
47738	25	171	1	7	1		178	65	55	28		1	13	48	44		7	178		1	1	1		5	
47739	25	253	1	8	1		182	148	55	28	30	1	232	48	521		135	525	37	1	17			5	
47740	25	183	1	6	3		338	3	57	31	69		189	65			25	108		2	1				
47742	1	183	1	6	97		302	65	57	65	37	46	508	60			43	127		52	1				
47743	1	253	1	8	3		152	1	55	3	30		123	48	41		25	197		1	1				
47745	1	262	1	10	1		340	107	61	28			191	51			44	209		1	1	7			
47746	1	259	1	10	1		340	107	61	28	73		191	51			44	205		1	1	7			
47748	70	253	1	6	1		186	21	57	2	30	46	123	4	522		7	525	37	1	1			5	
47750	25	171	1	5	1		343	21	57	54			13	4			7	178		1	1	1		5	
47752	25	255	1	6	3		338	3	57	31	69		189	65	522		25	523	38	55	1				
47755	25	261	1	6	3		184	31	95	31	37	39	188	51	522		58	534	38	1	1				
47758	1	253	9	8	126		341	3	55	28	30	46	123	48	517		25	533	37	1	1				
47760	25	179	1	6	19		346	135	57	28	37	46	212	49			21	128		1	1		16		
47762	1	238	9	5	115		301	24	94	48			13	50			21	167		1	1	1	16		
47763	69	271	1	10	5		340	168	85	28	86	2	272	49			44	215		1	17			1	
47764	50	237	1	6	403		295	131	84	52	71	39	263	59			125	531	31	36	17				
47765	1	273	11	7	123		32	132	55	5		46	506	67	61		61	223		1	17				
47766	1	272	11	8	123		186	132	55	5	30	46	282	67	520		61	216	38	1	17				
47769	1	274	1	10	1		340	107	61	1		46	191	51			44	217		1	1	7			
47770	69	259	1	10	152		340	168	61	1	73	46	271	51			68	205		1	17	12			
47771	1	179	9	8	115		165	24	94	23	37		143	50			21	128		1	1		16		
47772	1	168	1	7	54		300	67	100	28		31	158	4			16	27		4	1			1	
47774	25	253	1	6	1		152	165	101	28	30	311	232	48	522		1	523	38	1	1				
47775	408	253	1	6	1		152	3	103	1	30	46	123	48	59		1	522	40	1	1				
47776	69	276	1	35	47		340	168	100	28	86	2	273	4			44	215		1	17			1	
47778	1	253	9	8	126		348	3	55	2	30	46	232	48	41		25	532	31	1	1				
47779	70	171	1	5	1		32	21	55	2		46	13	48	44		7	178		1	1	1			
47783	1	253	1	6	1		335	65	55	1	30	1	232	48	519		1	523	37	1	1				
47784	70	253	1	6	1		186	21	55	2	30	46	232	48	519		7	525	37	1	1		5		

SPECIFICATION NUMBER INDEX

Group Title & Number	AIR INTAKE	BAFFLES & SHROUD	BREATHER & VENT	CAMSHAFT & VALVES	CARBURETOR	CLUTCH	CRANKCASE	CRANKSHAFT	CYLINDER HEAD	DIPSTICK	ELECTRIC START	EXHAUST	FLYWHEEL	FUEL PUMP	FUEL TANK	GEAR REDUCTION	GOVERNOR	IGNITION	INSTRUMENT PANEL	OIL PAN	PISTON & ROD	RETRACTABLE STARTER	REMOTE THROTTLE	HIGH TEMP. CUTOUT	OIL PRESS. CUTOUT
	1	2	3	4	5	6	7	8	9	10	11	12	13	14	15	16	17	18	19	21	22	23	24	31	32
Page No.	20	23	27	28	29	34	36	38	40	43	45	57	58	62	64	67	69	73	80	82	84	85	86	87	87
Grid No.	B5	B8	B12	B13	B14	C5	C7	C9	C11	C14	D2	D14	E1	E5	E7	E10	E12	F2	F9	F11	F13	F14	G1	G2	G2

Spec. No. Variation Number

47786	69	169	1	5	152		314	168	57	1		46	229	73			44	217		1	17	12			
47789	1	253	1	6	3		372	34	55	28	30	46	123	48	510		25	523	38	1	1		26		
47795	53	231	8	6	106		353	148	84	62	37	39	238	59			70	503	31	56	1				
47796	1	253	1	6	1		152	166	55	1	30	1	232	48	519		1	523	37	1	1				
47799	25	261	1	6	18		355	31	95	48	37	39	256	51	522		138	504	38	1	17				
47801	1	279	1	6	1		152	166	55	1	30	1	226	48	519		1	523	37	301	1	8			
47802	1	169	1	5	1		57	8	55	1		1	228	48	44	2	1	178		301	1	8			
47803	38	282	1	6	91		359	21	108	44	69	46	238	81			131	168		39	17				
47805	71	231	8	6	403		289	166	84	62	58	39	240	4			124	143	31	49	17				
47807	69	183	1	6	97		302	148	57	65	58	46	231	60			138	127		52	17				
47812	1	183	1	6	97		184	65	57	63	37	312	207	74			308	186		302	1		204		
47813	25	238	9	7	115		363	142	94	28		46	13	50			21	167		1	1	1	16		
47814	25	179	9	8	115		347	167	94	28	58	46	243	79			139	128		1	17		16		
47817	25	169	1	7	1		369	145	55	1		1	228	48	44		67	178		301	1	11			
47818	25	253	1	8	1		366	145	55	1	30	1	507	48	519		67	523	37	301	1				
47819	1	169	1	7	1		369	146	55	1		1	228	48	44		3	178		301	1	11			
47820	1	253	1	8	1		366	146	55	1	30	1	507	48	519		3	523	37	301	1				
47824	408	255	1	6	1		152	3	101	1	37	46	123	75	522		1	523	38	1	1				
47825	1	261	2	6	18		184	148	57	64	37	46	231	2	522		21	238	38	23	1		10		
47826	1	253	1	6	47		161	8	104	1	30	1	232	4	65	2	1	523	37	1	1				
47827	408	255	1	6	3		152	166	101	1	58	46	232	75	522		101	525	38	6	17				
47828	1	183	1	6	97		184	148	57	62	58	312	288	60			130	186		303	17		204		1
47829	74	183	1	6	97		184	148	57	202	37	46	241	74			308	186		303	1		204		1
47830	75	169	1	7	1		374	166	55	9		1	228	48	44		1	1		39	1	8			
47831	25	303	9	7	115		363	167	94	28		46	228	79			139	167		1	17	8	16		
47832	25	179	1	8	19		346	135	57	28	58	46	243	84			139	128		1	17		16		
47833	69	168	1	7	402		157	175	55	1		1	227	48	44		128	178		1	17				
47834	1	168	1	5	155		1	166	55	1		1	227	76	76		128	178		1	17				
47835	1	168	1	7	155		157	175	55	1		1	227	76	76		128	178		1	17				

GENERATOR TO ENGINE SPECIFICATION CROSS REFERENCE

This cross reference provides the engine specification number when only the generator set specification number is available.

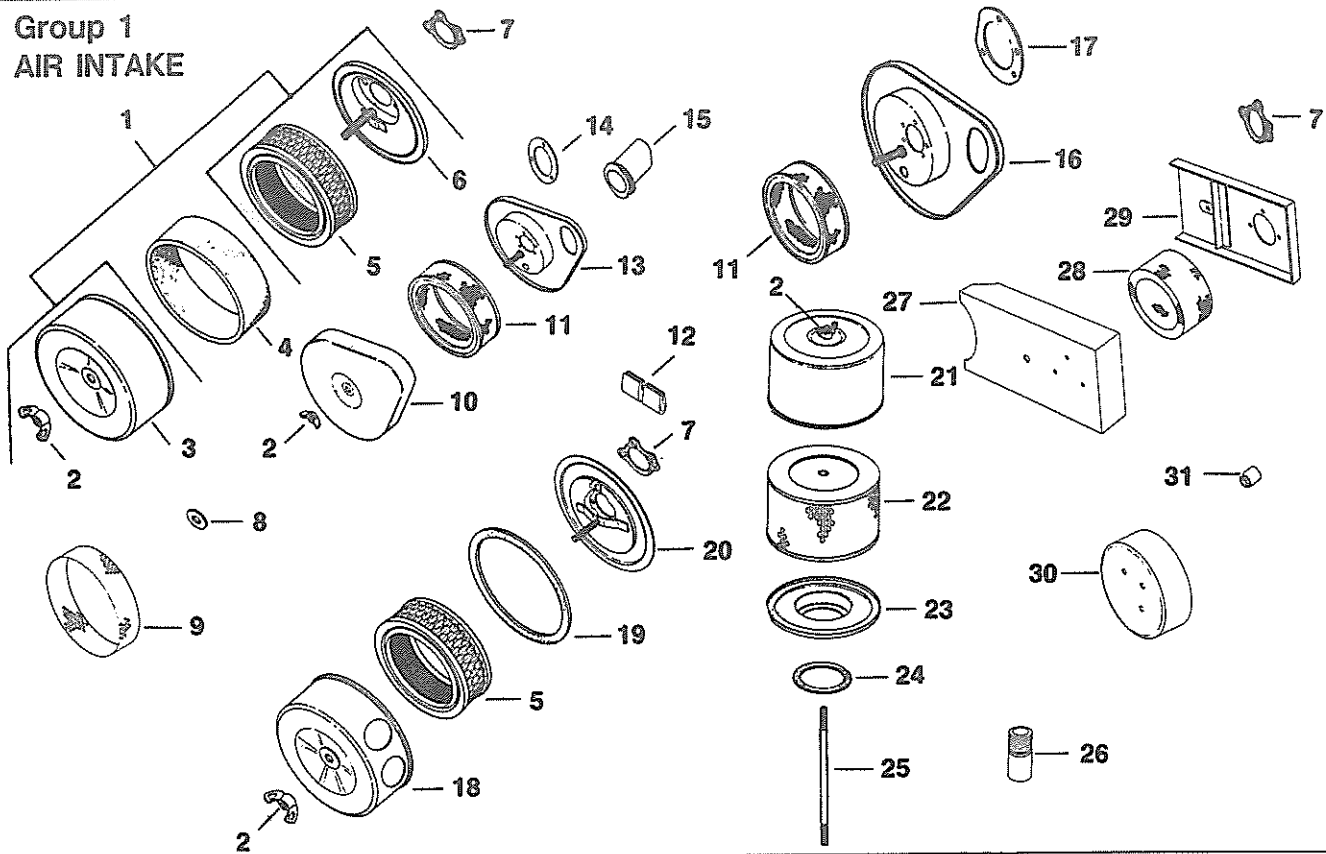
<u>Gen. Spec.</u>	<u>Eng. Spec.</u>	<u>Gen. Spec.</u>	<u>Eng. Spec.</u>
87300c	47551	87522a	47719
87300d	47593	87523a	47719
87301c	47593	87524a	47719
87301d	47593	87525a	47719
87348c	47563	87526a	47719
87348d	47596	87527a	47719
87353c	47563	87528a	47719
87353d	47596	87529a	47719
87357d	47594	87530a	47719
87358d	47594	87531a	47746
87359d	47594	87532a	47719
87365d	47594	87533a	47719
87366c	47551	87534a	47719
87366d	47593	87535a	47719
87370d	47594	87536a	47719
87372c	47563	87537a	47719
87373d	47596	87539a	47719
87375d	47734	87540a	47719
87378d	47734	87541a	47730
87380d	47772	87542a	47719
		87543a	47769
		87544a	47769
87503a	47715	87546a	47769
87504a	47715	87547a	47769
87505a	47715	87548a	47769
87506a	47646	87549a	47769
87507a	47646	87550a	47769
87508a	47646	87551a	47769
87509a	47715	87552a	47769
87510a	47715	87553a	47769
87511a	47715	87554a	47746
87512a	47715	87555a	47746
87513a	47712	87556a	47769
87514a	47715	87557a	47746
87515a	47715	87558a	47769
87516a	47715	87559a	47769
87517a	47715	87560a	47746
87518a	47715	87561a	47763
87519a	47727	87563a	47763
87520a	47719	87562a	47776
87521a	47719	87564a	47776

GENERATOR TO ENGINE SPECIFICATION CROSS REFERENCE

<u>Gen. Spec.</u>	<u>Eng. Spec.</u>	<u>Gen. Spec.</u>	<u>Eng. Spec.</u>
87701a	47763	871010a	47786
87702a	47776	871011a	47746
87703a	47763	871012a	47786
87704a	47776	871013a	47786
87705a	47763	871014a	47786
87706a	47776	871015a	47786
		871016a	47770
871001a	47786	871017a	47770
871002a	47786	871018a	47786
871003a	47786	871019a	47786
871004a	47786	871020a	47786
871005a	47786	871021a	47786
871006a	47786	871022a	47786
871007a	47786	871023a	47786
871008a	47786	871024a	47786
871009a	47786	871025a	47786

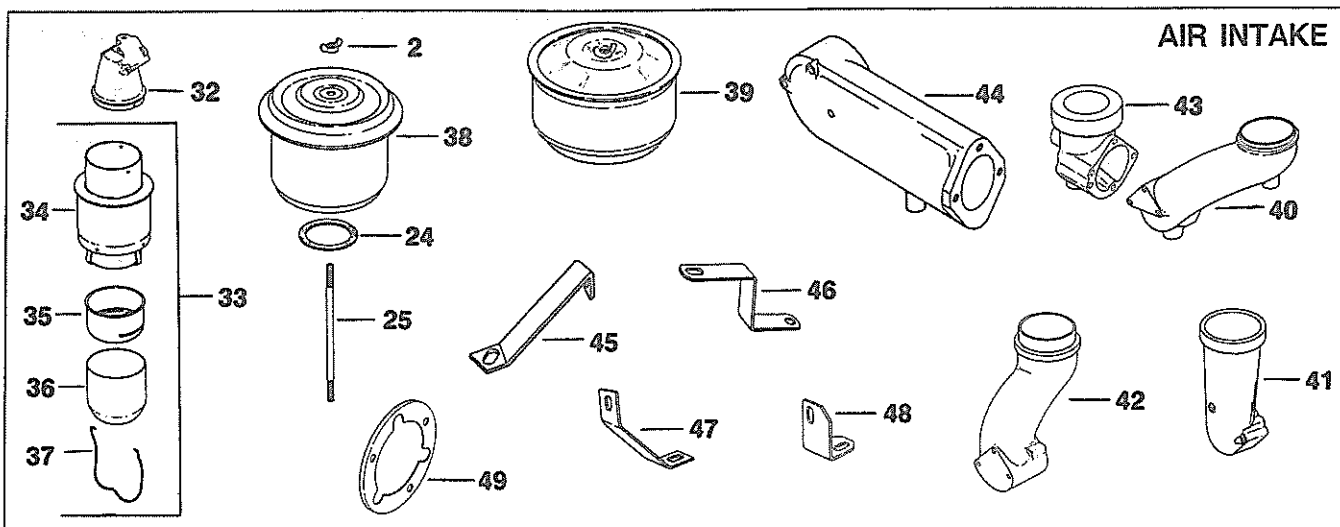
K301

Group 1 AIR INTAKE



Index Number	Description Variation Number	Part Number	Index Number	Description Variation Number	Part Number
1	Cleaner, air assembly (Includes 2,3,5,6) 1,3,14,25,69,70,400	A-235100	10	Cover, cleaner 45,64,71	47 082 03
2	Wing nut 1/4-20 1,3,6,7,8,9,10,14,16,20,21,22,25, 30,32,38,45,46,50,52,53,54,64,69, 70,71,400,401,402,403,404,405, 406,407,408	X-276-7	10	Cover, cleaner 46,50,53,401	47 082 01
3	Cover, air cleaner 1,3,8,9,10,14,20,21,25,52,69,70, 400,402,404,405,406,407,408	235102	11	Element, air cleaner 45,64,71	47 083 03
4	Precleaner, element 25,52,70	237421	11	Element, air cleaner 46,50,53	47 083 01
4	Precleaner, element 54	277593	11	Element, air cleaner 401	47 083 04
5	Element, air cleaner 1,3,8,10,14,20,21,22,25,38,52,69, 70,400,402,404,407	235116	12	Seal 45,46,50,53,64,71,401	47 032 03
6	Base, air cleaner 1,3,9,10,14,21,25,52,69,70,400, 402,404,405,406,407,408	235101	13	Base, air cleaner 45,64,71	47 094 08
7	Gasket, air horn ALL (except 11,45,46,50,53,64, 71,401)	275341	13	Base, air cleaner 46	47 094 06
8	Washer (Replaced by X-276-7) 9	A-536	13	Base, air cleaner 50	47 094 07
9	Screen, cylinder (Discontinued not available at Kohler Co.) 9	235992	13	Base, air cleaner 53	47 094 11
			14	Gasket, air horn (Replaced by 45 041 07) 45,46,50,53,64,71	47 041 02
			15	Tube 45,46,50,53,64,71,401	47 134 02
			16	Base, air cleaner 401	47 094 10

Index Number	Description Variation Number	Part Number	Index Number	Description Variation Number	Part Number
17	Gasket, air horn 401	45 041 07	25	Stud, air cleaner 1/4-20 x 7-3/4" 7,16,32,54	280151
18	Cover, air cleaner 38	237848	25	Stud, air cleaner 1/4-20 x 4-7/8" 8,20	235156
19	Seal 38	237423	26	Nipple 1/4 x 1-1/8" 7	X-226-2
20	Base, air cleaner 38	237424	27	Cover, heat duct 4	235306
21	Cover, air cleaner 7,16,32,54	277142	28	Element, air cleaner 4	235308
22	Element, air cleaner 7,16,32,54	277138	29	Duct, heat 4	235307
23	Base, air cleaner 7,8,16,20,32,54	235123	30	Shield, air intake 11	236248
24	Gasket, air cleaner 6,7,8,16,20,30,32,54,406	AC-1787	31	Spacer 4	X-400-56
25	Stud, air cleaner 1/4-20 x 6-5/8" 6,30,406	210186-1	31	Spacer 11	X-400-51

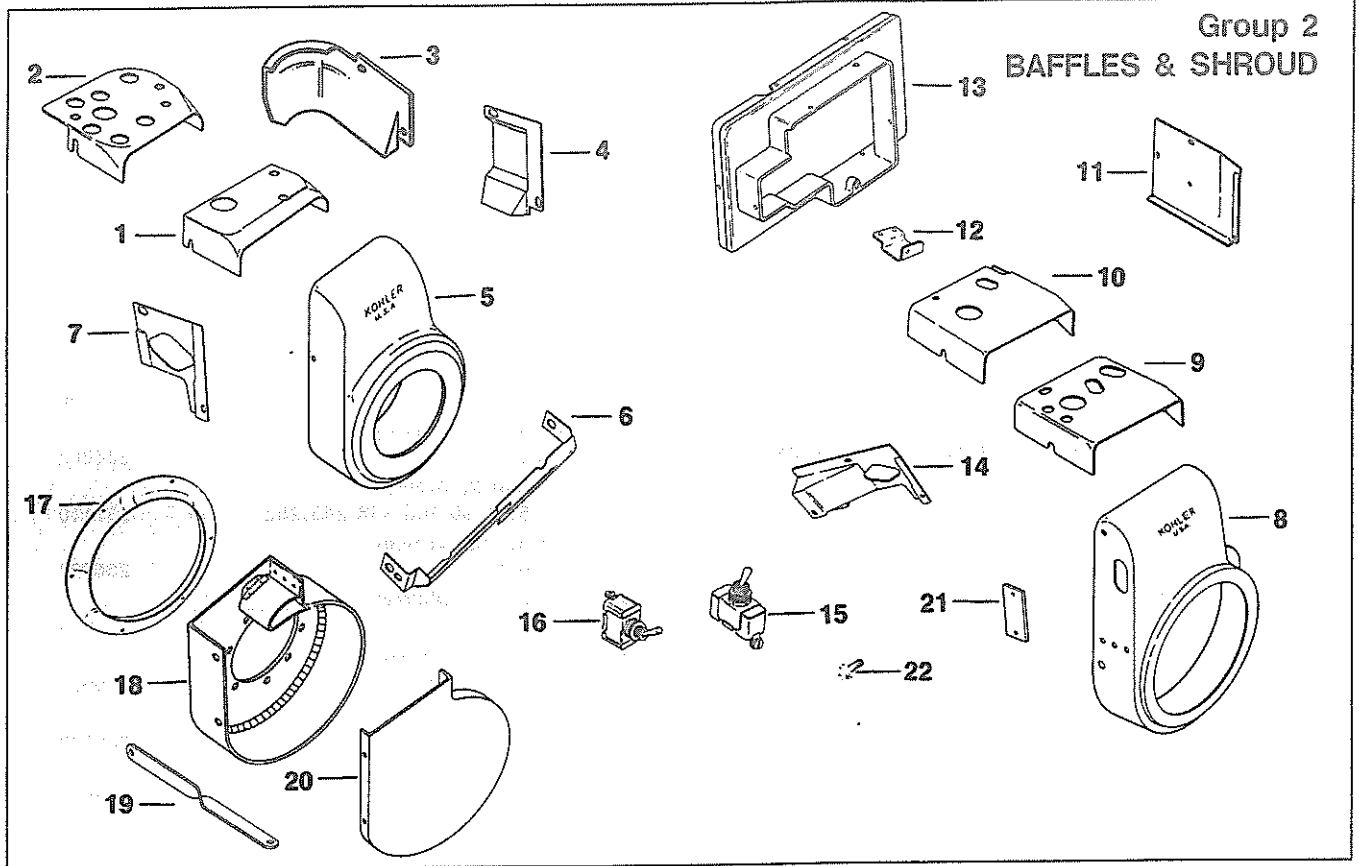


Index Number	Description Variation Number	Part Number	Index Number	Description Variation Number	Part Number
32	Elbow, air cleaner 15,42	235553	40	Elbow, air cleaner (Includes nipple) 7,54	236229
33	Cleaner, air assembly (Includes 34,35,36,37) 15,42	A-230538	41	Elbow, air cleaner 13,76	275259
34	Body, upper 15,42	232561	42	Elbow, air cleaner 17	275714
35	Baffle, air cleaner 15,42	231415	43	Elbow, air cleaner 62	277340
36	Cup, air cleaner 15,42	231414	44	Elbow, air cleaner 22,52	236969
37	Fastener, oil cup 15,42	231416	45	Brace, air cleaner 22,52	236968
38	Cleaner, air 6,30,403,405,406	151834	46	Brace, air cleaner 15,42	235539
39	Cleaner, air 17,900	272461	47	Brace, air cleaner 6,7,8,16,20,24,30,32,54,403,405	235339
40	Elbow, air cleaner 6,8,16,20,24,30,32,403,405	235167	48	Brace, air cleaner (Discontinued not available at Kohler Co.) 17	235578

AIR INTAKE
(Cont'd)

K301

Index Number	Description Variation Number	Part Number	Index Number	Description Variation Number	Part Number
49	Cover, screen 402,405,406	236391			
NOT ILLUSTRATED				Screw, sltd. pan hd. 10-32 x 1-1/2" (2) 62	X-50-57
	Decal, air cleaner (Replaced by 25 113 07) 1,25,38,45,46,50,52,53,74,75	25 113 01		Screw, sltd. pan. hd. 10-32 x 2" (3) 4	X-50-58
	Decal, air cleaner (Replaced by 25 113 08) 408	25 113 04		Screw, sltd. pan. hd. 10-32 x 1-3/4" (3) 22,52	X-50-61
	Screw, F.H.M. w/I.T. wash. sems 10-32 x 5/16" (3) 1,3,9,10,14,21,22,25,38,52,69,70, 74,400,402,404,407	X-167-2		Washer, lock #10 (3) 401	X-19-1
	Screw, hex. wash. hd. 6-20 x 3/8" (3) 42	X-67-27		Washer, lock 1/4" 404	X-20-1
	Screw, hex. wash. hd. 10-32 x 9/16" (2) 45,46,50	X-67-65		Washer, lock #10 (3) 22,24,30,32,52,54,75	X-22-9
	Screw, hex. wash. hd. 10-32 x 11/16" (3) 45,50,53,64,71,401	X-67-93		Washer, plain 1/4" 404	X-25-63
	Screw, sltd. pan. hd. 10-32 x 2-1/4" (3) 401	X-50-37		Washer, plain #10 (2) 400	X-25-79
	Screw, sltd. pan. hd. 10-32 x 1-1/2" (3) 42	X-50-57		Washer, plain #10 (3) 9	X-25-79
				Nut, hex. 1/4-20 404	X-81-1
				Screw, 10-32 x 5/16" 406	X-173-1
				Screw, H.C. sems 1/4-20 x 3/4" 42	X-132-5
				Screw, H.C. sems 1/4-20 x 1/2" 22,52	X-132-6



Index Number	Description Variation Number	Part Number	Index Number	Description Variation Number	Part Number
1	Baffle, head 54,82,86,97,99,101,102,103,105, 113,115,122,131,133,135,136, 138,140,141,148,150,197	237520	2	Baffle, head 56,96	235955
1	Baffle, head 166,168,169,171,172,174,175,177, 179,182,183,184,185,186,192,195, 196,210,215,216,217,219,220,227, 238,249,250,253,254,255,261,263, 272,273,276,279,282,303,334	237677	2	Baffle, head 181,191,198,202,206,207,211,221, 230,248,258,259,262,271,274	237678
1	Baffle, head (Use 237677 on engines with a spec. suffix of "D" & later.) 214	235367	2	Baffle, head (Use 237677 on engines with a spec. suffix of "D" & later.) 212	235049
1	Baffle, head (Use 237677 on engines with a spec. suffix of "D" & later.) 105,167,170,176,188,209,334	237520	2	Baffle, head (Use 237578 on engines with a spec. suffix of "D" & later.) 202	235955
1	Baffle, head (Use 235049 on engines built before Serial No. 3185000.) 111,118,134,145,151,152,153, 154,162	237520	2	Baffle, head (Use 237520 on engines built after Serial No. 3184999.) (Use 237677 on engines with a spec. suffix of "D" & later.) 5,23,69,128,154	235049
2	Baffle, head 1,2,3,6,7,8,12,13,14,15,17,18,19, 20,22,24,36,41,43,44,45,48,58,61, 62,66,79,89,91,92,93,98,106,109, 130,193	235049	2	Baffle, head (Use 237520 on engines built after Serial No. 3184999.) 27,37,39	235049
2	Baffle, head 10,28,55	235367	2	Baffle, head (Use 235049 on engines with a spec. suffix of "A" & "B".) 233	236915

BAFFLES & SHROUD
(Cont'd)

K301

Index Number	Description Variation Number	Part Number	Index Number	Description Variation Number	Part Number
2	Baffle, head (Use 237678 on engines with a spec. suffix of "D" & later.) 181	236915	5	Housing, blower 43,86,115,166,181	236865
3	Baffle, cylinder 1,2,3,6,7,8,10,12,13,14,15,17,18, 19,20,22,24,27,28,36,37,39,41,43, 44,45,48,55,56,58,61,62,66,79,89, 91,92,93,96,98,106,109,130,135, 174,175,177,184,191,192,193,198, 202,206,207,211,214,219,221,230, 233,248,259,262,271,274,282	235054	5	Housing, blower 44	236419
3	Baffle, cylinder (Use 236676 on engines built after Serial No. 3184999.) 5,69,128,154,258	235054	5	Housing, blower 45,102,111,113,135,183	236680
4	Baffle, cylinder (Use 235054 on engines with spec. suffix "A" & "B".) 23,54,82,97,99,101,102,103,105, 113,115,122,131,133,138,140,141, 148,150,166,168,169,171,172,179, 182,183,185,186,195,196,197,210, 212,215,216,217,220,227,238,249, 250,253,255,261,263,272,273,276, 279,303	236676	5	Housing, blower 48	236760
4	Baffle, cylinder (Use 235054 on engines built before Serial No. 3185000.) 111,118,145,151,152,153,154,162	236676	5	Housing, blower 54	236690
4	Baffle, cylinder 167,170,176,181,188,209,334	236676	5	Housing, blower 55	236802
5	Housing, blower 1,27,145,151,168,174,192,206	235901	5	Housing, blower 66,91,98,105,188,248,282	237110
5	Housing, blower 2,5,6	235822	5	Housing, blower 69,182	236797
5	Housing, blower 3	235823	5	Housing, blower 212	236995
5	Housing, blower 7	235088	5	Housing, blower 82,179,271,276	236985
5	Housing, blower 8,202	236407	5	Housing, blower 93	236788
5	Housing, blower 12,101,152,169	235693	5	Housing, blower 97	237096
5	Housing, blower 13,37,92,109,153,170,175	235934	5	Housing, blower 99,106,133	237106
5	Housing, blower 17,24,150,188	235560	5	Housing, blower 103,209	237275
5	Housing, blower 19,89,118,172,219	237047	5	Housing, blower 128,216	235493
5	Housing, blower 20,154,210,227	236221	5	Housing, blower 131,196	237525
5	Housing, blower 23,39,96,171,184,211	236289	5	Housing, blower 167	236843
5	Housing, blower 28	235832	5	Housing, blower 138	237519
5	Housing, blower 36,61,62,79,130,191,193,198, 207,230	235561	5	Housing, blower 140,215	237542
5	Housing, blower 41,162,185	236541	5	Housing, blower 141,217	237627
			5	Housing, blower 148,176,177	237702
			5	Housing, blower 197,220	237897
			5	Housing, blower 214	236802
			5	Housing, blower 221	237890
			5	Housing, blower 334	47 027 45
			5	Housing, blower 273	47 027 31
			5	Housing, blower (Replaced by 235822) 14	235961
			5	Housing, blower 22	236230
			5	Housing, blower (Replaced by 237897) 15	235981

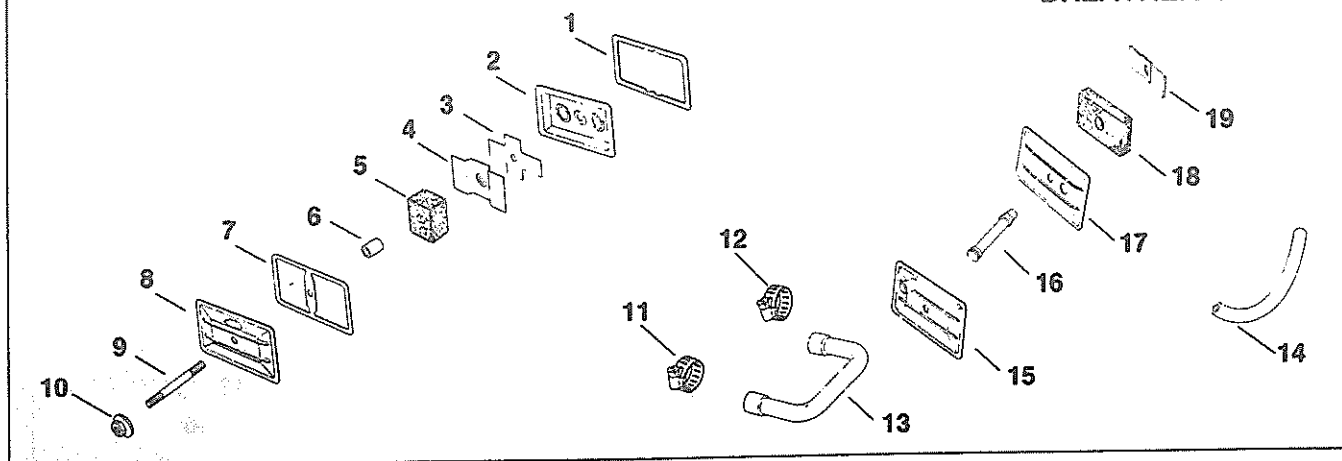
Index Number	Description Variation Number	Part Number	Index Number	Description Variation Number	Part Number
5	Housing, blower (Replaced by 236407) 195	235951	13	Duct, air (Replaced by 47 755 33 Kit) 225,231,236,237	47 281 06
5	Housing, blower (Replaced by 236670) 18	235999	13	Duct, air (Replaced by 47 755 32 Kit) 228	47 281 04
5	Housing, blower (Replaced by 236221) 56	237061	14	Baffle, side 225,228,231,236,237,282	47 063 01
5	Housing, blower (Discontinued not available at Kohler Co.) 58	236603	15	Switch, toggle 259	238710
6	Deflector, grass (Discontinued not available at Kohler Co.) 54	236687	16	Switch, toggle 262	41 099 04
6	Deflector, grass 82,179	236847	17	Baffle, air 36,61,62,79,130,191,193,198, 207,230	236390
7	Baffle, side ALL (except 27,36,61,192,207,225, 228,231,238,237,282)	235652	18	Scroll 36	236389
7	Baffle, side 27,36,61,192,207	236272	18	Scroll 61,62,79,193,198,207,230	236717
8	Housing, blower 225,237	47 027 07	18	Scroll 130,191	237475
8	Housing, blower 228,231,236	47 027 05	19	Bracket, scroll support 36	236392
8	Housing, blower 233	47 027 08	19	Bracket, scroll support 61,79,193,198,207	236718
8	Housing, blower 238,303	47 027 13	20	Cover, scroll 36,61,62,193,198,207,230	275824
8	Housing, blower 249	47 027 15	21	Cover, rectifier-regulator 334	41 096 23
8	Housing, blower 250	47 027 17	22	Screw, pozidrive T.H. 1/4-20 x 5/8" 334	47 086 08
8	Housing, blower 253	47 027 19	NOT ILLUSTRATED		
8	Housing, blower 254	47 027 20	Lead, black, switch to ground (3" - 14 gauge - uninsulated push on tab - insulated barrel eyelet terminals) 259		
8	Housing, blower 255,258	47 027 18	Lead, black, switch to cord (18" - 14 gauge - uninsulated push on tab - insulated barrel eyelet terminals) 259		
8	Housing, blower 259,262,274	47 027 23	Lead, black, switch to relay (23" - 14 gauge - uninsulated push on tab - insulated barrel eyelet terminals) 259		
8	Housing, blower 261	47 027 27	Screw, hex. wash. hd. 10-32 x 7/16" (3) 228,231,236,237		
8	Housing, blower 263	47 027 28	Screw, hex. wash. hd. 10-32 x 5/8" 225,237		
8	Housing, blower 272	47 027 32	Screw, hex. hd. mach. 10-24 x 3/8" 82,179		
8	Housing, blower 279	47 027 35	Screw, hex. hd. mach. 10-24 x 3/8" (2) 54		
9	Baffle, head 225,231,236	47 124 03	Screw, H.C. sems 1/4-20 x 3/8" 10,17,18,24,44,103,141,150, 209,221		
10	Baffle, head 228,237	47 124 09	Screw, H.C. sems 1/4-20 x 3/8" (2) 91,99,106,113		
11	Baffle, cylinder 225,228,231,236,237	47 063 05			
12	Bracket, duct support 225,228,231,236,237	47 126 08			

BAFFLES & SHROUD
(Cont'd)

K301

Index Number	Description Variation Number	Part Number	Index Number	Description Variation Number	Part Number
	Screw, H.C. sems 1/4-20 x 3/4" (4)			Screw, hex. hd. 1/4-20 x 7/8" (2)	
	1,2,3,5,6,7,8,10,11,12,13,14,15,		3		X-465-1
	17,18,19,22,23,24,28,41,43,44,48,			Screw, hex. hd. 1/4-20 x 7/8" (4)	
	54,56,58,66,69,82,89,91,98,99,103,		45,93,102		X-465-1
	106,109,113,115,118,128,133,138,			Screw, hex. hd. 1/4-20 x 5/8" (2)	
	140,141,145,148,150,151,152,153,		45,93		X-465-2
	154,162,166,167,168,169,170,171,			Screw, hex. hd. 1/4-20 x 5/8" (3)	
	174,176,177,181,185,186,195,197,		102		X-465-2
	202,206,210,211,212,214,215,216,			Screw, hex. hd. 1/4-20 x 5/8" (4)	
	217,220,221,233,236,238,248,250,		3		X-465-2
	253,254,255,258,259,262,271,273,			Washer, lock #10 (2)	
	274,276,279,282,303,334	X-132-2	54		X-19-1
	Screw, H.C. sems 1/4-20 x 3/4" (3)			Washer, lock #10	
	131,172,179,182,188,196,261,		225,237		X-19-1
	263,272	X-132-2		Washer, lock 1/4"	
	Screw, H.C. sems 1/4-20 x 3/4" (6)		102		X-20-1
	231	X-132-2		Washer, E.T. #10	
	Screw, H.C. sems 1/4-20 x 3/4" (5)		82		X-22-2
	20,55,86,97,101,105,111,135,219,			Washer, I.T. 1/2"	
	225,227,228,237,248	X-132-2	259		X-22-4
	Screw, H.C. sems 1/4-20 x 5/8" (2)			Washer, I.T./E.T. 1/2"	
	66,225,228,231,236,237	X-132-5	262		X-22-26
	Screw, H.C. sems 1/4-20 x 1/2" (2)			Washer, plain #10 (3)	
	1,2,3,5,6,7,8,10,11,12,13,14,15,		225,236		X-25-7
	17,18,19,20,22,23,24,28,41,43,44,			Washer, plain 1/4"	
	48,54,55,56,58,66,69,82,86,89,91,		113,231,236		X-25-20
	97,98,99,101,103,105,106,109,111,			Washer, plain 7/16"	
	113,115,118,128,133,135,138,140,		259		X-25-34
	141,145,148,150,151,152,153,154,			Washer, plain 1/4"	
	162,166,167,174,181,195,197,202,		231,236		X-25-52
	206,209,211,212,215,216,220,221,			Washer, plain 1/4" (2)	
	225,227,228,237,248,249,250,254,		225,228,237		X-25-52
	262,274,282,303	X-132-6		Washer, plain 1/4"	
	Screw, H.C. sems 1/4-20 x 1/2" (3)		1,13,166,167,168,169,170,171,172,		
	131,168,169,171,172,176,177,182,		174,176,177,179,181,182,185,186,		
	185,186,188,196,210,214,217,233,		188,195,196,197,202,206,209,210,		
	238,253,255,258,259,261,263,271,		211,212,214,215,216,217,219,220,		
	272,273,276,279,334	X-132-6	221,227,233,238,248,249,250,253,		
	Screw, H.C. sems 1/4-20 x 1/2" (5)		254,255,258,259,261,262,263,271,		
	179	X-132-6	272,273,274,276,279,282,334		X-25-53
	Screw, H.C. sems 1/4-20 x 1/2"			Washer, plain 1/4" (2)	
	219,236	X-132-6	82,231,303		X-25-53
	Screw, H.C. sems 1/4-20 x 7/8"			Washer, plain 1/4" (4)	
	28	X-132-7	236		X-25-72
	Screw, H.C. w/star washer sems			Washer, plain 1/4" (2)	
	1/4-20 x 5/8"		225,237		X-25-72
	172,179,182,188,261,263,272	X-143-5		Washer, plain 5/16"	
	Screw, H.C. sems 5/16-18 x 1-1/4"		225		X-25-85
	225,228,231,236,237	X-154-4		Nut, hex. 1/4-20	
	Screw, F.H. 10-32 x 3/8" (2)		225,231,237		X-81-1
	225	X-167-3		Nut 7/16-32	
			262		41 100 02

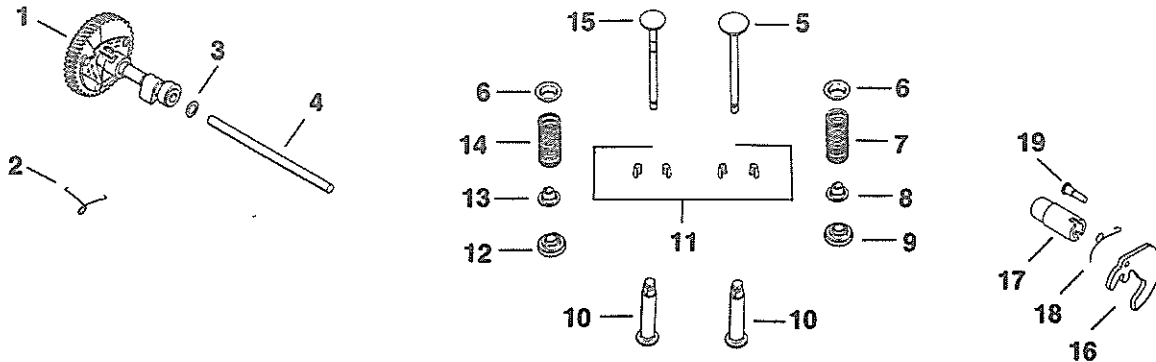
Group 3
BREATHER & VENT



Index Number	Description Variation Number	Part Number	Index Number	Description Variation Number	Part Number
1	Gasket, breather plate 1,2,3,5,8,9,10,11	235048	12	Clamp, hose 5/16" wide 9	X-426-9
2	Plate, breather 1,2,3,5,8,9,10,11	235631	13	Hose, breather 9	47 326 02
3	Reed, breather 1,2,3,5,8,9,10,11	235047	14	Hose, breather 1/2" I.D., 3/4" O.D., 5-1/4" lg. 3	X-484-15
4	Baffle, breather 1,2,3,5,9,10,11	235117	14	Hose, breather 1/4" I.D., 3-1/8" lg. 10	X-484-2
5	Filter, breather 1,2,3,5,9,10,11	235118	15	Cover, valve - Closed 3,5,9,10	275839
6	Seal, breather 1,2,3,5,8,9,10,11	231032	16	Hose, breather 8	47 326 01
7	Gasket, valve cover 1,2,3,5,8,9,10,11	275144	17	Cover, valve - Closed 8	47 096 01
8	Cover, valve assembly - Standard (Includes 4,5) 1,2,11	A-235418-S	18	Filter, breather 8	47 050 01
9	Stud, valve cover 1,3,5,8,9,10	275220	19	Stop, breather reed 8	270146
9	Stud, valve cover 2	235551	NOT ILLUSTRATED		
9	Stud, valve cover 11	47 072 08	Washer, lock 1/4"		
10	Palmnut 1/4-20 1,5,8,9,10,11	X-799-1	2,3		
11	Clamp, hose 1/2" wide 3,9	X-426-3	Nut, hex. 1/4-20		
			2,3		
			X-81-1		

K301

Group 4 CAMSHAFT & VALVES



Index Number	Description Variation Number	Part Number	Index Number	Description Variation Number	Part Number
1	Camshaft assembly (Includes 2) 5,7,9,10,25,35	47 010 06	11	Kit, retainer (2) ALL	41 755 10
1	Camshaft assembly 6,8,11	47 010 09	12	Rotator, exhaust valve (Replaced by 52 413 01) 7,8,9,10,11,15,23	230020
1	Camshaft assembly 15	J-237562	13	Retainer, exhaust valve spring 5,6,25,35,38	230011
1	Camshaft assembly 23	47 010 07	14	Spring, exhaust valve 5,6,25,35	235010
1	Camshaft assembly 38	45 010 06	14	Spring, exhaust valve 7,8,9,10,11,15,23	235168
2	Spring, actuating 5,6,7,8,9,10,11,25,35,38	47 089 01	15	Valve, exhaust 5,6,38	235826
3	Spacer .005 (A.R.) ALL	275066	15	Valve, exhaust - Stellite 7,8,9,10,11,15,23,25,35	235838
3	Spacer .010 (A.R.) ALL	275067			
4	Pin, camshaft (Replaced by 47 380 09) ALL	235193			
5	Valve, intake 5,6,7,8,15,23,25,38	235008			
5	Valve, intake - Stellite 9,10,11,35	235582	*16	Flyweight, spark advance (2) (Discontinued not available at Kohler Co.)	230087
6	Retainer, upper spring (2) ALL	235011	*17	Cam, ignition (Magneto) (Discontinued not available at Kohler Co.)	235188
7	Spring, intake valve 5,6,7,8,15,23,25,35,38	235010	*17	Cam, ignition (Battery) (Discontinued not available at Kohler Co.)	235690
7	Spring, intake valve 9,10,11	235168	*18	Spring, governor (2)	275267
8	Retainer, intake valve spring 5,6,7,8,15,23,25,35	230011	*19	Pin, flyweight (2)	230080
9	Rotator, intake valve (Replaced by 52 413 01) 9,10,11	230020			
10	Tappet (2) 5,6,7,8,9,10,11,15,23,25,35,38	D-235327			

The following parts are the only serviceable parts for the old style camshaft assembly, A-235857. If replacement of a complete camshaft is necessary, the Automatic Compression Release Camshaft (ACR) 47 010 06 should be used.

*These parts were used on engines with specification suffix "A".

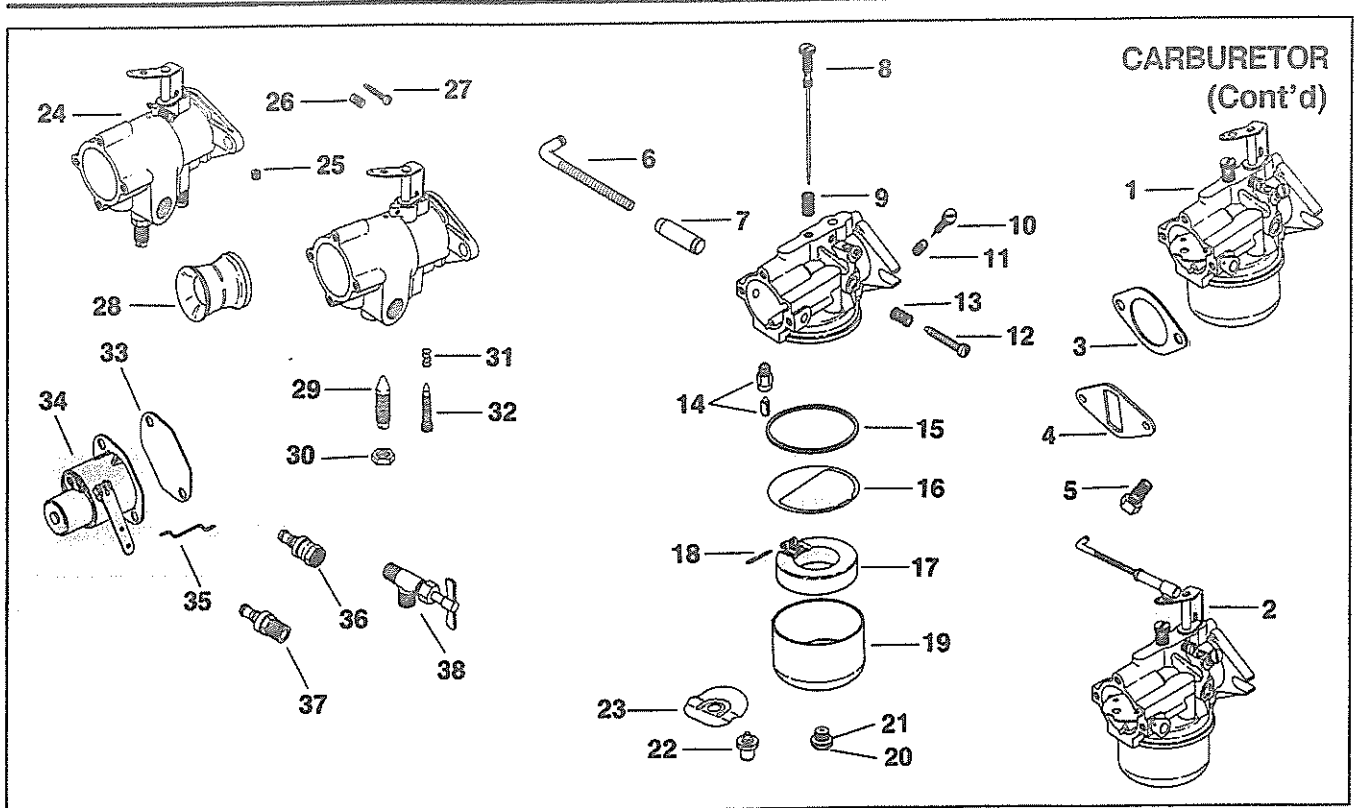
Index Number	Description Variation Number	Part Number	Index Number	Description Variation Number	Part Number
Refer to Section 3 of Carburetor Reference Manual TP-2377-D for breakdown of the following carburetor assemblies:			Carburetor assembly		
	Carburetor assembly 8,22,24,27,37,42,43,45,46,53		14	Before Serial No. 1735210504 use:	
	Before Serial No. 1723900013 use:			Adjustable jet assembly	47 053 15
	Adjustable jet assembly	47 053 14		After Serial No. 1735210494 use:	
	After Serial No. 1723900003 use:			Kit, fixed jet w/linkage	
	Kit, fixed jet w/linkage			(Includes Carburetor, 47 053 69 - for information only - not available separately)	47 853 04
	(Includes Carburetor, 47 053 68 - for information only - not available separately)	47 853 03		or use	
	or use			Kit, variable jet w/linkage	
	Kit, variable jet w/linkage			(Includes Carburetor, 47 053 87 - for information only - not available separately)	47 853 21
	(Includes Carburetor, 47 053 89 - for information only - not available separately)	47 853 23		Carburetor assembly	
	Carburetor assembly		17,33	Before Serial No.1733600013 use:	
	1,3,10,15,18,19,26,50,57,62,91,95,97,137,152,400,401,402			Adjustable jet assembly	47 053 16
	Before Serial No. 1725405693 use:			Kit, fixed jet w/linkage	
	Adjustable jet assembly	47 053 13		(Includes Carburetor, 47 053 70 - for information only - not available separately)	47 853 05
	After Serial No. 1725405683 use:			Carburetor assembly	
	Kit, fixed jet w/linkage		82	Before Serial No. 1724400013 use:	
	(Includes Carburetor, 47 053 67 - for information only - not available separately)	47 853 02		Adjustable jet assembly	47 053 07
	or use			After Serial No. 1724400003 use:	
	Kit, variable jet w/linkage			Kit, fixed jet w/linkage	
	(Includes Carburetor, 47 053 88 - for information only - not available separately)	47 853 22		(Includes Carburetor, 47 053 65 - for information only - not available separately)	47 853 09
	Carburetor assembly			or use	
	9,12,13,69,74			Kit, variable jet w/linkage	
	Before Serial No. 1723800013 use:			(Includes Carburetor, 47 053 86 - for information only - not available separately)	47 853 20
	Adjustable jet assembly	47 053 12		Carburetor assembly	
	After Serial No. 1723800003 use:		84,106,125,403	Before Serial No. 1724400013 use:	
	Kit, fixed jet w/linkage			Adjustable jet assembly	47 053 08
	(Includes Carburetor, 47 053 66 - for information only - not available separately)	47 853 01		After Serial No. 1724400003 use:	
	or use			Kit, fixed jet w/linkage	
	Kit, variable jet w/linkage			(Includes Carburetor, 47 053 65 - for information only - not available separately)	47 853 09
	(Includes Carburetor, 47 053 87 - for information only - not available separately)	47 853 21		or use	
				Kit, variable jet w/linkage	
				(Includes Carburetor, 47 053 86 - for information only - not available separately)	47 853 20

**CARBURETOR
(Cont'd)**

K301

Index Number	Description Variation Number	Part Number	Index Number	Description Variation Number	Part Number
	Carburetor assembly 98			Carburetor assembly 115	
	Before Serial No. 1723900013 use:			Before Serial No. 1727100013 use:	
	Adjustable jet assembly	47 053 24		Adjustable jet assembly	47 053 29
	After Serial No. 1723900003 use:			After Serial No. 1727100003 use:	
	Kit, fixed jet w/linkage			Kit, fixed jet w/linkage	
	(Includes Carburetor, 47 053 83 - for information only - not available separately)	47 853 15		(Includes Carburetor, 47 053 72 - for information only - not available separately)	47 853 07
	or use			or use	
	Kit, variable jet w/linkage			Kit, variable jet w/linkage	
	(Includes Carburetor, 47 053 92 - for information only - not available separately)	47 853 26		(Includes Carburetor, 47 053 90 - for information only - not available separately)	47 853 24
	Carburetor assembly 144,145			Kit, variable jet w/linkage	
	Before Serial No. 1725300013 use:			(Includes Carburetor, 47 053 88 - for information only - not available separately)	
	Adjustable jet assembly	47 053 62		155	47 853 22
	After Serial No. 1725300003 use:			Carburetor assembly	
	Kit, fixed jet w/linkage			123	
	(Includes Carburetor, 47 053 65 - for information only - not available separately)	47 853 09		Before Serial No. 1725200013 use:	
	or use			Adjustable jet assembly	47 053 35
	Kit, variable jet w/linkage			After Serial No. 1725200003 use:	
	(Includes Carburetor, 47 053 86 - for information only - not available separately)	47 853 20		Kit, fixed jet w/linkage	
				(Includes Carburetor, 47 053 85 - for information only - not available separately)	47 853 19
				or use	
				Kit, variable jet w/linkage	
				(Includes Carburetor, 47 053 94 - for information only - not available separately)	47 853 28

K301

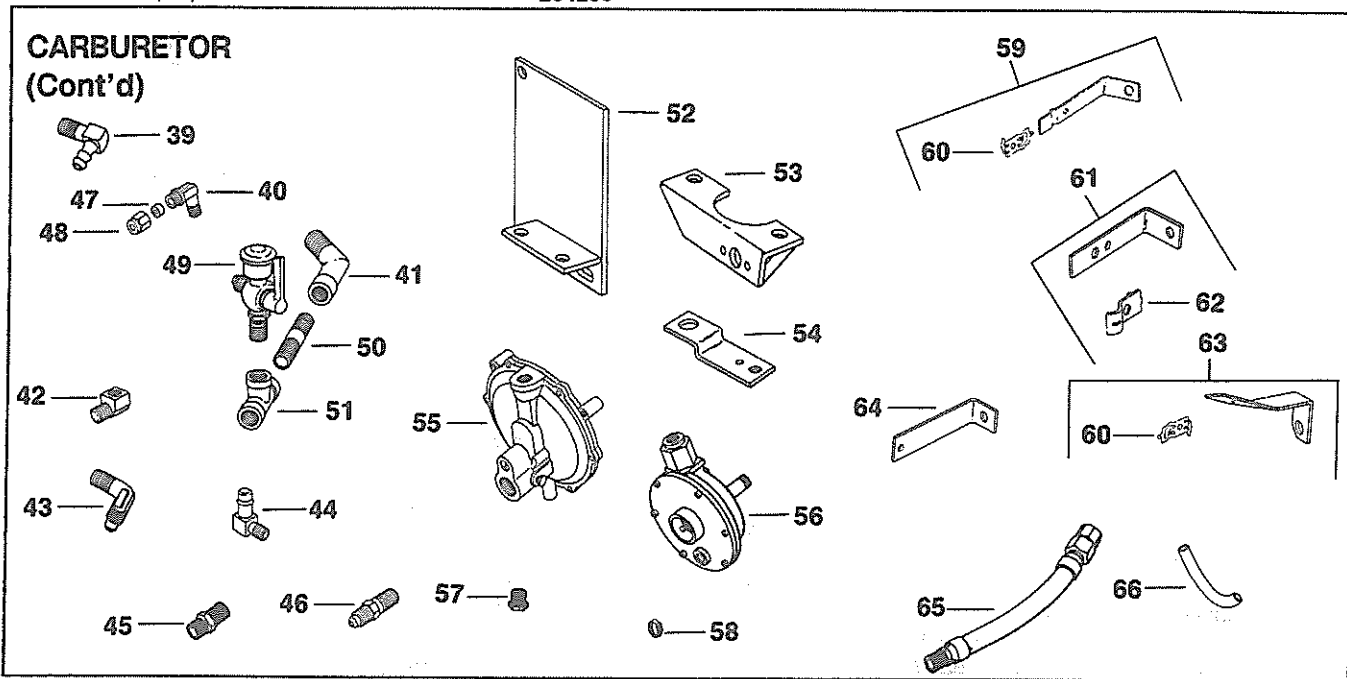


Index Number	Description Variation Number	Part Number	Index Number	Description Variation Number	Part Number
1	Carburetor assembly 5,20,21,40,44,48,88	A-236271	11	Spring, idle fuel adjusting needle 5,16,77,81,119	200380
1	Carburetor assembly 77	47 053 02	12	Screw, idle speed adjusting 16,81	232556
1	Carburetor assembly 16,81	A-235580	13	Spring, idle speed 16,81	232555
2	Carburetor assembly 119	47 053 32	14	Needle and Seat Available only in Carburetor Repair Kit	
3	Gasket, carburetor 1,3,5,8,9,10,12,13,14,15,16,17, 18,19,20,21,22,24,26,27,29,33, 37,40,42,43,44,45,46,47,48,50, 53,54,57,62,64,69,74,81,88,91, 97,115,119,123,152,155,400, 401,402	271030	15	Gasket, bowl 5,16,77,81,119	200375
4	Gasket, carburetor 77,82,84,91,95,98,106,125,137 144,145,403	47 049 01	16	Gasket, bowl baffle 5,16,77,81,119	25 041 02
5	Screw, sltd. sems H.C. 5/16-18 x 1" (2) All	X-770-1	17	Kit, float 5,16,77,81,119	25 757 03
5	Screw, hex. hd. 1/4-20 x 1-1/4" 54	X-776-1	18	Pin, float hinge 5,16,77,81,119	200376
6	Rod, ball joint 91,95,97,115	235277	19	Bowl, fuel 5,16,77,81,119	235448
7	Ball joint 91,95,97,115	45 208 03	19	Bowl, fuel 16,81	236317
8	Spring, main fuel adjusting needle 5,16,77,81,119	200383	20	Screw, bowl retainer 5,16,77,81,119	47 100 06
9	Needle, main fuel adjusting 5,16,77,81,119	235415	21	Gasket, bowl retainer screw 5,16,77,81,119	200372
10	Needle, idle fuel adjusting 5,16,77,81,119	235006	22	Plug, bowl drain 16,81	200434
			23	Spring 16,81	236319
			24	Carburetor assembly (Includes 25-33)	B-237199
			25	Screw, venturi set 29,47,54	X-60-1

CARBURETOR
(Cont'd)

K301

Index Number	Description Variation Number	Part Number	Index Number	Description Variation Number	Part Number
26	Spring, throttle lever adjusting screw 29,47,54	232555	33	Gasket, choke 5	240285
27	Screw, throttle lever adjusting 29,47,54	232556	34	Choke, automatic 5	230426
28	Venturi 29,47,54	236666	34	Choke, automatic 40	238095
29	Screw, load adjustment 29,47,54	236552	35	Linkage, choke 5	235466
30	Nut, load adjustment (Discontinued not available at Kohler Co.) 29,47,54	236553	36	Fitting, swivel hose 54	X-653-1
31	Spring, idle adjustment 29,47,54	234208	37	Fitting, hose 54	237813
32	Screw, idle adjustment 29,47,54	234206	38	Valve, gas 20,21,24,27,37,43,44,45,46,88	221282

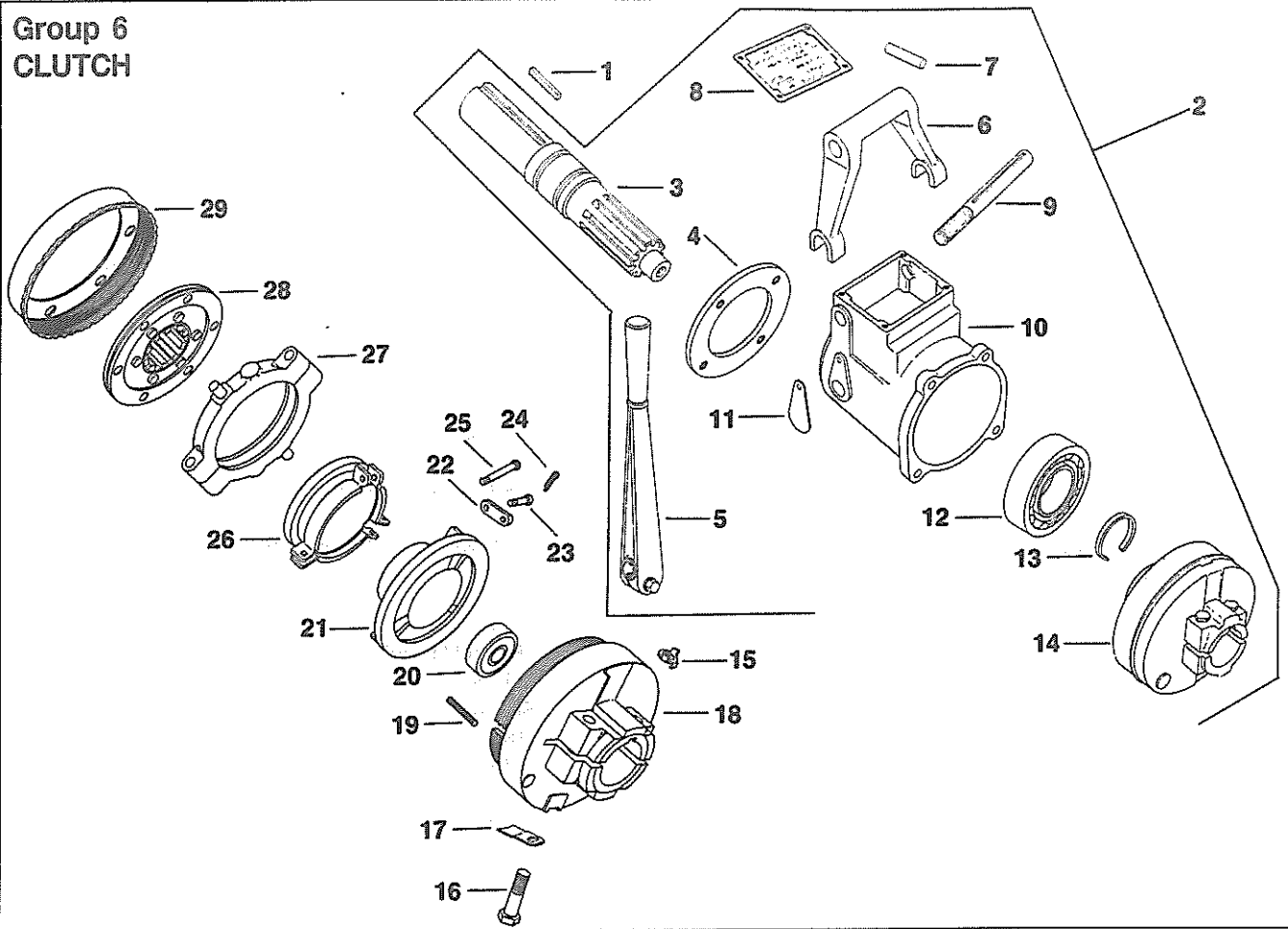


Index Number	Description Variation Number	Part Number	Index Number	Description Variation Number	Part Number
39	Elbow 1,3,5,8,10,14,15,16,17,18,19,21, 24,26,33,42,50,53,62,69,74,77, 81,82,91,95,97,98,106,115,119, 123,125,126,137,144,145,152, 155,400,401,402,403	25 155 02	45	Connector (2) (Use with copper fuel line) 57	231509
40	Elbow 9,13,22	231510	46	Connector (Replaced by 47 136 03) 54	X-226-2
41	Elbow 16	X-274-8	47	Sleeve (Use with copper fuel line only) 9,13,22	220547
41	Elbow 54	X-274-9	48	Nut (Use with copper fuel line only) 9,13,22	220786
42	Elbow 47	X-555-1	49	Cup, fuel 16	X-376
43	Elbow 29	X-447-6	50	Nipple 1/8 x 3/4" 16	X-217-11
44	Elbow, hose 84	X-391-12	51	Tee, pipe 16	X-203-10

Index Number	Description Variation Number	Part Number	Index Number	Description Variation Number	Part Number
52	Bracket, regulator 54	231471	63	Bracket, choke assembly (Includes 60) 26	A-236920
53	Bracket, regulator 29	236449	64	Bracket, choke 400	235374
54	Extension, throttle lever 33	236759	65	Hose, flexible 9" 29	247055
55	Regulator 54	B-230695	66	Hose, flexible 6-1/2" 54	X-409-5
56	Regulator 29	B-220578			
57	Bushing, reducer 1/4" I.D. x 3/8" O.D. 54	X-202-30		NOT ILLUSTRATED	
58	Clamp, hose (2) 54	X-426-3		Kit, carburetor repair (Includes bowl retainer screw, bowl gasket, bowl, baffle gasket, float pin, needle valve, needle seat, gasket & needle and seat body) (For Kohler adjustable carburetor) 5,16,20,21,40,44,48,77,81,88,119	25 757 01
59	Bracket, choke assembly (Includes 60) 3,9,12,17,19,33,57,62,69,91,115, 126,137	A-236919		Kit, float repair (Includes bowl gasket and float assembly) (For Kohler adjustable carburetor) 5,16,20,21,40,44,48,77,81,88,119	25 757 03
59	Bracket, choke assembly 13,15,50,77	A-236918		Kit, shaft replacement (Includes bowl gaskets, spacer, choke shaft spring, choke shaft ball, screws, throttle shafts, choke shaft, throttle shaft bushing, choke shaft bushings) (For Kohler adjustable carburetor) 5,20,21,40,44,48,77,88,119	25 757 05
60	Clip, choke cable 3,9,12,15,17,19,33,50,57,62,69, 77,91,115,401	235603			
60	Clip, choke cable 26	X-689-1			
61	Bracket, choke assembly (Includes 62) 18,97	A-236921			
62	Clip, choke cable 18,97	235778			

K301

Group 6 CLUTCH

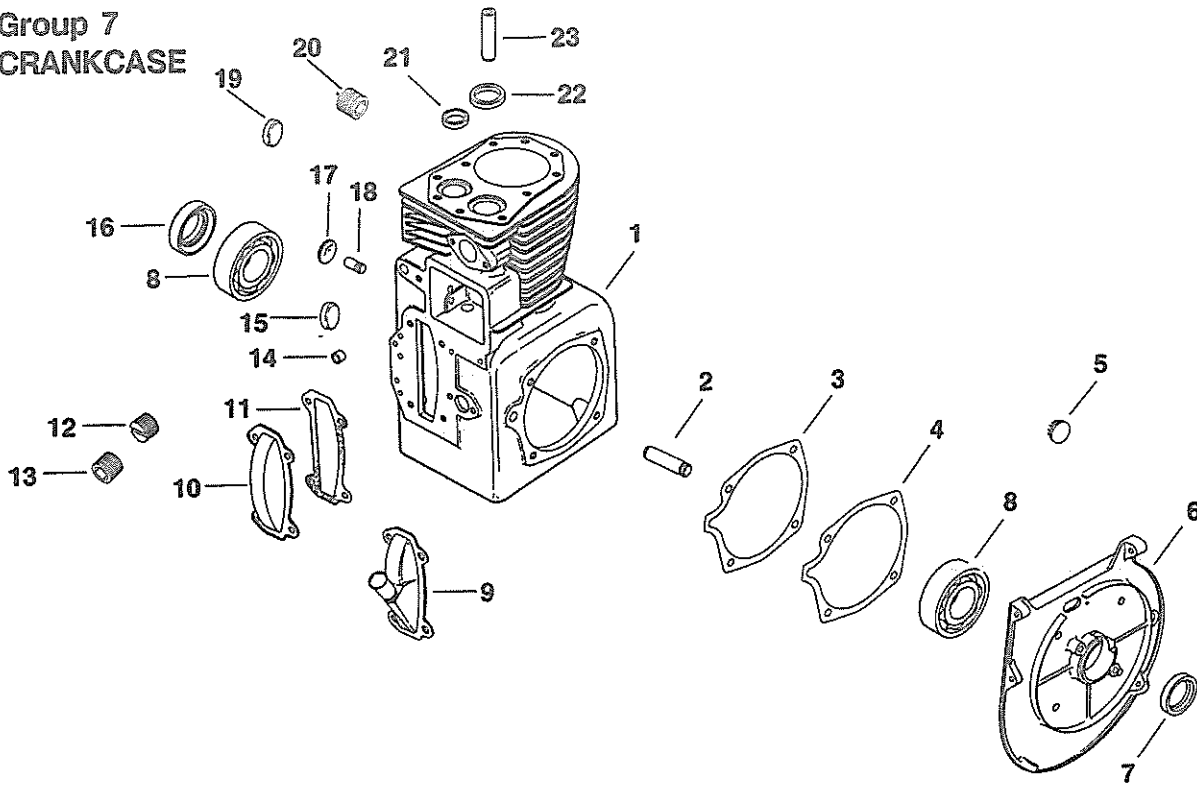


Index Number	Description Variation Number	Part Number	Index Number	Description Variation Number	Part Number
1	Key, square (Discontinued not available at Kohler Co.)		11	Cover, grease fitting (Discontinued not available at Kohler Co.)	
	1	X-286-11	1		234088
2	Clutch assembly (Includes 3 -14)		12	Bearing, ball	
	1	A-235020	1		234090
3	Shaft, drive		13	Ring, retaining	
	1	234091	1		235305
4	Plate, bearing retainer		14	Clutch assembly (Discontinued not available at Kohler Co.) (Includes 15 - 29)	
	1	234092	1		A-234093
5	Lever, shifting		15	Lock, screw (2)	
	1	A-234026	1		234057
6	Yoke, clutch		16	Screw, hex. hd. 5/16-18" (Discontinued not available at Kohler Co.)	
	1	A-234027	1		234114
7	Pin, roll (2)		17	Lock, adjusting	
	1	274101	1		234060
8	Cover, nameplate (Discontinued not available at Kohler Co.)		18	Housing, clutch	
	1	234087	1		234094
9	Shaft, yoke		19	Spring (3)	
	1	274117	1		234055
10	Housing, power take-off (Discontinued not available at Kohler Co.)		20	Bearing	
	1	234086	1		212135
			21	Plate, pressure	
			1		A-234062

Index Number	Description Variation Number	Part Number	Index Number	Description Variation Number	Part Number
			NOT ILLUSTRATED		
22	Link, connecting (6) 1	A-234066		Screw, H.C. 5/16-18 x 3/4" (3)	
23	Pin, link (Short) (3) 1	234052		1	X-6-14
24	Pin, cotter (6) (Discontinued not available at Kohler Co.) 1	X-36-4		Screw, H.C. 3/8-16 x 1-1/4" 1	X-7-2
25	Pin, link (Long) (3) 1	234052		Screw, H.C. 3/8-24 x 2-1/2" (2) (Discontinued not available at Kohler Co.) 1	X-7-29
26	Sleeve, release 1	A-234062		Screw, H.C. 7/16-14 x 1" (4) 1	X-8-7
27	Bearing, release 1	A-234066		Washer, lock 5/16" (4) 1	X-21-1
28	Member, driven (Discontinued not available at Kohler Co.) 1	A-234064		Washer, lock 3/8" 1	X-22-1
29	Ring, adjusting (Discontinued not available at Kohler Co.) 1	234068		Washer, I.E.T. 1/4" 1	X-22-11
				Washer, lock 7/16" (4) 1	X-23-1
				Screw, button hd. 10-24 x 1/2" (5) 1	X-50-13
				Screw, H.C. 1/4-20 x 3/8" 1	X-52-22
				Nut, hex. lock 3/8-24 (Discontinued not available at Kohler Co.) 1	X-101-5

K301

Group 7 CRANKCASE

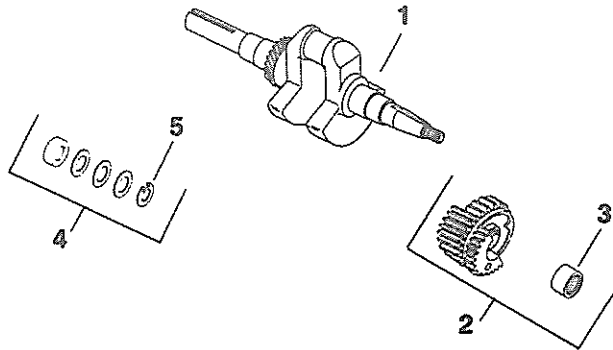


Index Number	Description Variation Number	Part Number	Index Number	Description Variation Number	Part Number
1	Cylinder block (Service with either a Short Block or a Miniblock. Refer to K301 Selection Guide TP-2080-C.)		6	Plate, bearing (Use 45 156 01 prior to spec. suffix "C") 128,138,144,152,159,161,162,165, 172,182,184,185,186,191,193,200, 206,215,223,225,234,242,247,268, 270,277,284,286,289,291,295,298, 302,308,335,338,341,346,347,348, 353,355,366,372,500	45 156 02
2	Shaft, balance gear stub (2) 100,143,157,159,161,170,172,178, 182,184,208,211,226,233,234,235, 284,291,300,302,314,318,321,334, 346,347,353,355,363,372,500	236559	7	Seal, front oil ALL	47 032 06
3	Gasket, bearing plate .010 (A.R.) ALL	235070	8	Bearing, ball (2) ALL	235376
4	Gasket, bearing plate ALL	235757	9	Cover, camshaft 226,232,277,284,291,301,318,322, 355,359	237623
5	Plug, button 2,4,12,20,22,23,50,52,54,77,98, 100,113,121,132,145,178	X-301-1	10	Cover, camshaft ALL (except 226,232,277,284,291,301, 318,322,355,359)	235026
6	Plate, bearing 1,2,4,5,8,12,20,22,23,32,33,34,47, 50,52,54,56,57,62,77,84,94,98,100, 113,117,121,132,143,145,147,154, 155,156,157,158,170,178,211,217, 233,235,285,300,301,303,314,318, 321,322,334,340,343,363,369,374	45 156 03	11	Gasket, camshaft cover ALL	235025
6	Plate, bearing 21,29,35,75,208,226,232	235354	12	Plug, sltd. hd. 1/8 N.P.T.F. 47,57,300	X-75-17
6	Plate, bearing 38,41	235998	13	Plug, hex. ctsk. 1/8 N.P.T.F. 314,340,363	X-75-23
			14	Bearing, governor cross shaft ALL	234866
			15	Plug, cup 1/2" (2) 21,50,56,84,128,152,157,161,185, 223,242,277,285,289,295,298,322, 334,338,341,343,366,369	X-702-3

Index Number	Description Variation Number	Part Number	Index Number	Description Variation Number	Part Number
16	Seal, rear oil ALL (except 94,165,247,268,301)	47 032 07		Screw, H.C. sems 1/4-20 x 5/8" (4) 208,289,295,302,359	X-132-5
16	Seal, rear oil (2) 94,165,247,268,301	47 032 07		Screw, H.C. sems 1/4-20 x 1/2" 77,138	X-132-6
17	Plug, expansion ALL	X-230-11		Screw, H.C. sems 1/4-20 x 1/2" (3) 1,32,33,47,50,54,57,62,84,147, 154,155,157,170,223,285,300,301, 303,314,318,321,322,340,341,369, 374	X-132-6
18	Shaft, governor ALL	235125-S		Screw, H.C. sems 1/4-20 x 1/2" (4) 2,4,8,12,20,21,22,23,29,34,35,38, 41,52,56,75,94,98,100,113,117, 121,128,132,143,144,145,152,156, 158,159,161,162,165,168,172,178, 182,184,185,186,191,200,206,211, 215,225,226,232,233,234,235,242, 268,270,277,284,286,291,298,308, 334,335,338,341,346,347,348,353, 355,363,366,372	X-132-6
19	Plug, cup 15/16" 226,232,301,335,359	X-702-12		Screw, H.C. sems 3/8-16 x 1" (4) 1,2,4,8,12,20,21,22,23,29,32,33, 34,35,38,41,47,50,52,54,56,57,62, 75,77,84,94,98,100,113,117,121, 128,132,138,143,144,145,147,152, 154,155,156,157,158,159,161,162, 165,168,170,172,178,182,184,185, 186,191,200,206,208,211,215,223, 225,226,232,233,234,235,247,268, 270,277,284,285,289,291,295,300, 301,302,303,308,314,318,321,322, 334,335,338,340,341,343,346,347, 348,353,355,359,363,366,369,372, 374	X-132-6
19	Plug, cup 1-1/16" 233,234,235,255	X-702-14		Screw, H.C. sems 3/8-16 x 1" (4) 242,286,298	X-175-1
20	Plug, hex. ctsk. 3/4" N.P.T.F. 314,335,340,341,347,363	47 139 01			
20	Plug, hex. ctsk. 3/4" N.P.T.F. (2) 1,22,50,84,128,145,152,157,158, 161,170,172,178,182,233,234,235, 300,322,341,346,366,369,372	47 139 01			
20	Plug, hex. ctsk. 3/4" N.P.T.F. (3) 159,182,277,284,291,318,334,343	47 139 01			
21	Insert, exhaust valve ALL	230170			
22	Insert, intake valve 4,22,32,62,77,84,100,143,155,156, 157,161,162,182,185,186,206,217, 298,314,322,334,340,343,346,353, 500	230265			
23	Guide, valve (2) ALL	235007-S			
NOT ILLUSTRATED					
	Washer, plain 1/4" 50,54,57,68,147,154,155,223,314, 340	X-25-68			
	Washer, plain 1/4" 1,32,33,47,84,157,170,285,300, 301,303,321,322,343,369,374	X-25-72			
	Screw, H.C. sems 1/4-20 x 5/8" 1,32,33,47,50,54,57,62,84,147, 154,155,157,170,223,285,300,301, 303,314,318,321,322,340,343, 369,374	X-132-5			

K301

Group 8 CRANKSHAFT

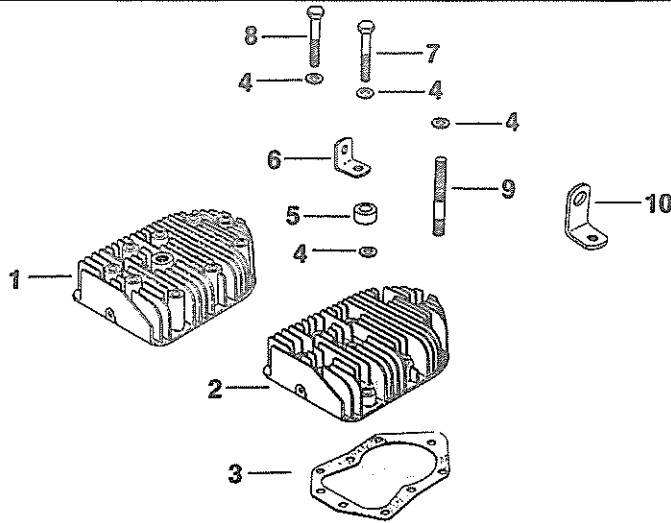


Index Number	Description Variation Number	Part Number	Index Number	Description Variation Number	Part Number
1	Crankshaft 1,3,29,65,148,166 Before Serial No. 1522400013 use: After Serial No. 1522400003 use:	B-235837# 47 142 16*	1	Crankshaft 20 Before Serial No. 1623300013 use: After Serial No. 1623300003 use:	B-236256# 47 142 24*
1	Crankshaft 4 Before Serial No. 1613300013 use: After Serial No. 1613300003 use:	B-235844# 47 142 18*	1	Crankshaft 24,142,167 Before Serial No. 1528900013 use: After Serial No. 1528900003 use:	B-236477# 47 142 25*
1	Crankshaft 5,11,21,76 Before Serial No. 1525600013 use: After Serial No. 1525600003 use:	B-235949# 47 142 22*	1	Crankshaft 26,31 Before Serial No. 1525200014 use: After Serial No. 1525200004 use:	B-236334# 47 142 26*
1	Crankshaft 7,51 Before Serial No. 1525400013 use: After Serial No. 1525400003 use:	B-235909# 47 142 17*	1	Crankshaft (Discontinued not available at Kohler Co.) 27	B-236610#
1	Crankshaft 8,83 Before Serial No. 1531600013 use: After Serial No. 1531600003 use:	B-235887# 47 142 20*	1	Crankshaft (Discontinued not available at Kohler Co.) 57	B-237005#
1	Crankshaft 10 Before Serial No. 1523200013 use: After Serial No. 1523200003 use:	B-236408# 47 142 23*	1	Crankshaft 67	B-235844#
1	Crankshaft (Discontinued not available at Kohler Co.) 14	B-236704#	1	Crankshaft 74,165 Before Serial No. 1532400013 use: After Serial No. 1532400003 use:	B-236881# 47 142 27*
1	Crankshaft (Discontinued not available at Kohler Co.) 15	B-235920#	1	Crankshaft 86	47 014 01#
1	Crankshaft 16,30,96 Before Serial No. 1530100013 use: After Serial No. 1530100003 use:	47 014 05# 47 142 30*	1	Crankshaft 107 Before Serial No. 1602900013 use: After Serial No. 1602900003 use:	47 014 14# 47 142 29*
1	Crankshaft 17,22,34 Before Serial No. 1826000013 use: After Serial No. 1826000003 use:	B-236923# 47 142 19*	1	Crankshaft 108 Before Serial No. 1829400013 use: After Serial No. 1829400003 use:	47 014 11# 47 142 31*
1	Crankshaft (Discontinued not available at Kohler Co.) 18	B-235933#	1	Crankshaft (Discontinued not available at Kohler Co.) 110	47 014 23#
1	Crankshaft (Discontinued not available at Kohler Co.) 19	B-235963#	1	Crankshaft 131 Before Serial No. 1822500013 use: After Serial No. 1822500003 use:	47 014 25# 47 142 32*
			1	Crankshaft 132 Before Serial No. 1702600013 use: After Serial No. 1702600003 use:	47 014 28# 47 142 33*

Index Number	Description Variation Number	Part Number	Index Number	Description Variation Number	Part Number
1	Crankshaft 135		4	Kit, spacer (Includes 5)	
	Before Serial No. 1601500013 use:	47 014 27#		29,30,31,34,51,65,67,76,83,107, 135,142,143,167,168	47 755 01
	After Serial No. 1601500003 use:	47 142 45*			
1	Crankshaft 145	47 014 35#	5	Retainer (2)	
1	Crankshaft 146	47 014 34#		29,30,31,34,51,65,67,76,83,107, 135,142,143,167,168	X-269-34
1	Crankshaft 168		#NOTE: Crankshaft contains external fastening threads. Fastening hardware is serviced separately. The fastening hardware includes a square key, washer and a lock nut. See the flywheel group for part numbers.		
	Before Serial No. 1602900013 use:	47 014 51#			
	After Serial No. 1602900003 use:	47 142 29*			
1	Crankshaft 175	47 142 35*			
2	Gear assembly (2) (Includes 3) (Replaced by 45 043 03)		*NOTE: Crankshaft contains internal fastening threads. Fastening hardware is serviced separately or with crankshaft as a kit. The fastening hardware includes a woodruff key, washer and screw. See the flywheel group for part numbers.		
	29,30,31,34,51,65,67,76,83,107, 135,142,148,167,168	47 042 01+			
3	Bearing, needle (2)		#NOTE: Refer to Service Bulletin 135 to determine which gear assembly and needle bearing to order.		
	29,30,31,34,51,65,67,76,83,107, 135,142,148,167,168				
	Before Serial No. 9641311 use:	236506+			
	After Serial No. 9641310 use:	47 030 01+			

K301

Group 9 CYLINDER HEAD



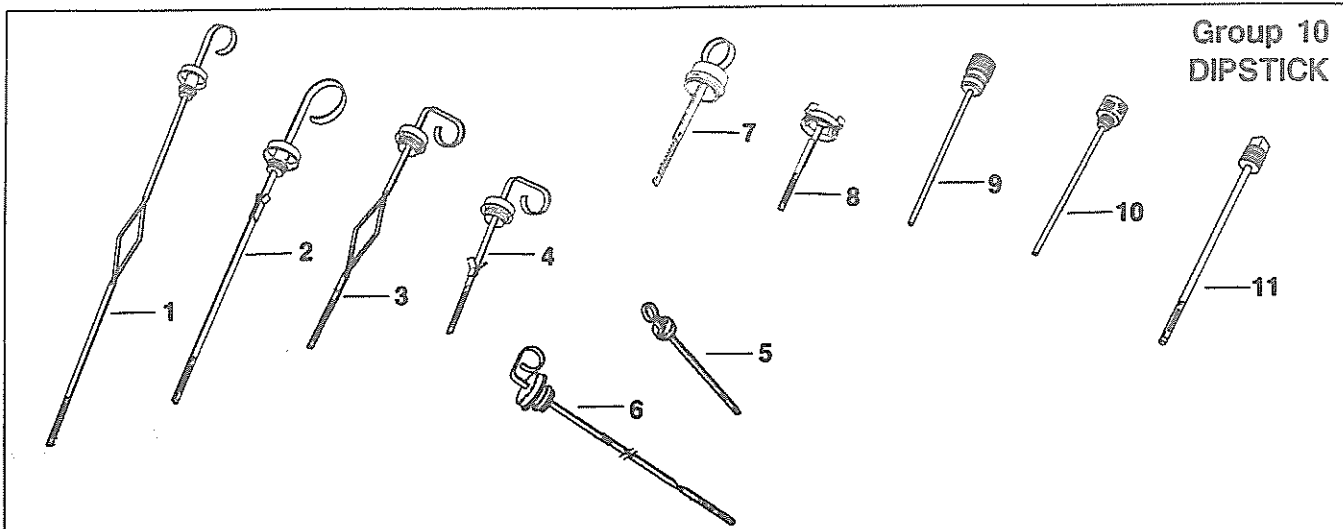
Index Number	Description Variation Number	Part Number	Index Number	Description Variation Number	Part Number
1	Head, cylinder (Use 237827 after Engine Serial No. 3184999) (Use 237670 on engine spec. suffix "D" or later) 1,3,5,10,11,47,53	237829	4	Washer, plain 3/8" (10) 1,3,7,8,10,11,25,36,45,48,53,55, 57,61,69,70,73,75,78,86,87,90,95, 96,100,101,103,104	270889
1	Head, cylinder 7	237831	4	Washer, plain 3/8" (9) 5,15,24,29,38,40,42,43,58,65,67, 68,72,81,82,85,88,91,94,108	270889
1	Head, cylinder (Discontinued not available at Kohler Co.) 8,86	47 015 03	4	Washer, plain 3/8" (11) 33,47,84	270889
1	Head, cylinder 61,73,75,85	237671	4	Washer, plain 3/8" (12) 63	270889
1	Head, cylinder (Discontinued not available at Kohler Co.) 69	237715	4	Washer, plain 3/8" (13) 71,92	270889
2	Head, cylinder (Use 237829 prior to Engine Serial No. 3185000) (Use 237670 on engine spec. suffix "D" or later) 15,24,25,29,33,36,38,40,43,48, 65,67	237827	5	Spacer 81,84,87,95	X-400-71
2	Head, cylinder 42,45	237560	5	Spacer (2) 40,103,104	X-400-71
2	Head, cylinder 55,57,58,63,68,71,72,78,81,82, 84,87,88,90,91,92,94,95,96,101, 103,108	237670	5	Spacer (2) (Use variation number 1 prior to Engine Serial No. 3185000) 48,55	X-400-71
2	Head, cylinder 70,100,104	47 015 04	5	Spacer (3) 36,71,92	X-400-71
3	Gasket, head (Replaced by 47 041 10) 1,3,5,7,8,10,11,15,24,25,29,33, 36,38,40,42,43,45,47,48,55,57, 58,61,63,65,67,68,69,70,71,72,73, 75,78,81,82,84,85,86,87,88,90, 91,92,94,95,96,100,101,103,104	237658	5	Spacer (4) 33,43,63,96	X-400-71
3	Gasket, head 108	47 041 10	5	Spacer (5) 24,72	X-400-71
3	Gasket, head 53	47 041 15	5	Spacer (6) 67,68	X-400-71
			5	Spacer (7) 88,108	X-400-71
			5	Spacer (2) (Discontinued not available at Kohler Co.) 33	X-400-83
			5	Spacer 90	X-400-91
			5	Spacer (2) 81,82	X-400-91
			5	Spacer (3) 78	X-400-91
			5	Spacer (4) 65	X-400-91

Index Number	Description Variation Number	Part Number	Index Number	Description Variation Number	Part Number
6	Strap, lifting (Replaced by 47 445 02) 1,3,7,8,10,11,24,25,33,36,40,43, 45,47,48,53,55,57,61,63,65,67,68, 69,70,71,72,73,75,78,81,82,85,86, 87,88,90,91,92,94,95,96,100,101, 103,104,108	47 445 01	9	Stud 11,29,38,53,73,84,87,91,108	237522
7	Screw, H.C. 3/8-16 x 1-3/4" 25,36,48,53,55,57,70,71,78,82,84, 90,91,92,96,100,101,103,104	270721	9	Stud (2) (Use Variation No. 1 prior to Engine Serial No. 3185000) 48,55,82	237522
7	Screw, H.C. 3/8-16 x 1-3/4" (Use Variation No. 7 prior to Engine Serial No. 3185000) 45	270721	9	Stud (2) 104	237522
7	Screw, hex. hd. 3/8-16 x 2-5/8" 85	275196	9	Stud (3) 92	237522
8	Screw, hex. hd. 3/8-16 x 2-1/2" (9) 1,3,7,8,10,47,61,69,75	235175	9	Stud (4) 95,96,103	237522
8	Screw, hex. hd. 3/8-16 x 2-1/2" (5) 5	235175	9	Stud (6) 33	237522
8	Screw, hex. hd. 3/8-16 x 2-1/2" (8) 11,73,85	235175	10	Bracket, baffle mounting 84	47 126 04
8	Screw, hex. hd. 3/8-16 x 2-1/2" (6) 86	235175			
8	Screw, hex. hd. 3/8-16 x 2-1/4" (4) 5	271077			
8	Screw, hex. hd. 3/8-16 x 1-1/2" (2) 88,108	270158			
8	Screw, hex. hd. 3/8-16 x 1-1/2" (3) 33,43,63,67,68	270158			
8	Screw, hex. hd. 3/8-16 x 1-1/2" (4) 24,72,96,103	270158			
8	Screw, hex. hd. 3/8-16 x 1-1/2" (5) 36,65,71,78,92,95	270158			
8	Screw, hex. hd. 3/8-16 x 1-1/2" (6) 48,55,81,82,101,104	270158			
8	Screw, hex. hd. 3/8-16 x 1-1/2" (7) 40,53,84,90,91,100	270158			
8	Screw, hex. hd. 3/8-16 x 1-1/2" (8) (Use Variation No. 1 prior to Engine Serial No. 3185000) 25,29,38,57,70,87	270158			
8	Screw, hex. hd. 3/8-16 x 1-1/2" (8) (Use Variation No. 7 prior to Engine Serial No. 3185000) 45	270158			
8	Screw, hex. hd. 3/8-16 x 1-1/2" (9) 15,42,58,94	270158			
9	Stud 90	237277			
9	Stud (2) 40,101	237277			
9	Stud (3) 36,71,78,81,86	237277			
9	Stud (4) 65	237277			
9	Stud (5) 24,72	237277			
9	Stud (6) 43,63,67,68,108	237277			
9	Stud (7) 88	237277			
				NOT ILLUSTRATED	
				Washer, lock 3/8" 40,63,65,87	X-22-1
				Washer, lock 3/8" (2) 48,55,82,92,103,104	X-22-1
				Washer, lock 3/8" (3) 36,81,86	X-22-1
				Washer, lock 3/8" (4) 33,43,72,96	X-22-1
				Washer, lock 3/8" (5) 24	X-22-1
				Washer, lock 3/8" (6) 67,68	X-22-1
				Washer, lock 3/8" (7) 88,108	X-22-1
				Washer, I.T. 3/8" 24,40,72	X-22-10
				Washer, plain 3/8" (2) 55,92,103,104	X-25-28
				Washer, plain 3/8" (4) 96	X-25-28
				Nut, hex. hd. 5/16-18 (2) 101	X-82-2
				Nut, hex. hd. 3/8-16 11,29,38,53,73,90,91	X-83-2
				Nut, hex. hd. 3/8-16 (2) 38,82,84,87	X-83-2
				Nut, hex. hd. 3/8-16 (3) 36,71,78,81,86	X-83-2
				Nut, hex. hd. 3/8-16 (4) 48,55,65,104	X-83-2
				Nut, hex. hd. 3/8-16 (5) 24,72,92,95	X-83-2
				Nut, hex. hd. 3/8-16 (6) 33,43,63,67,68,103	X-83-2
				Nut, hex. hd. 3/8-16 (7) 88,108	X-83-2
				Nut, hex. hd. 3/8-16 (8) 96	X-83-2
				Nut, hex. jam 3/8-16 90,92	X-83-6
				Nut, hex. jam 3/8-16 (2) 38,82	X-83-6
				Nut, hex. jam 3/8-16 (3) 36,71,78,81,86	X-83-6

CYLINDER HEAD
(Cont'd)

K301

Index Number	Description Variation Number	Part Number	Index Number	Description Variation Number	Part Number
	Nut, hex. jam 3/8-16 (4) 33,43,63	X-83-6		Nut, hex. jam 3/8-16 (7) 88,108	X-83-6
	Nut, hex. jam 3/8-16 (5) 24,65,72	X-83-6		Screw, H.C. 3/8-16 x 2" 100	X-129-14
	Nut, hex. jam 3/8-16 (6) 67,68	X-83-6		Washer, plain 3/8" 85,100	47 468 07

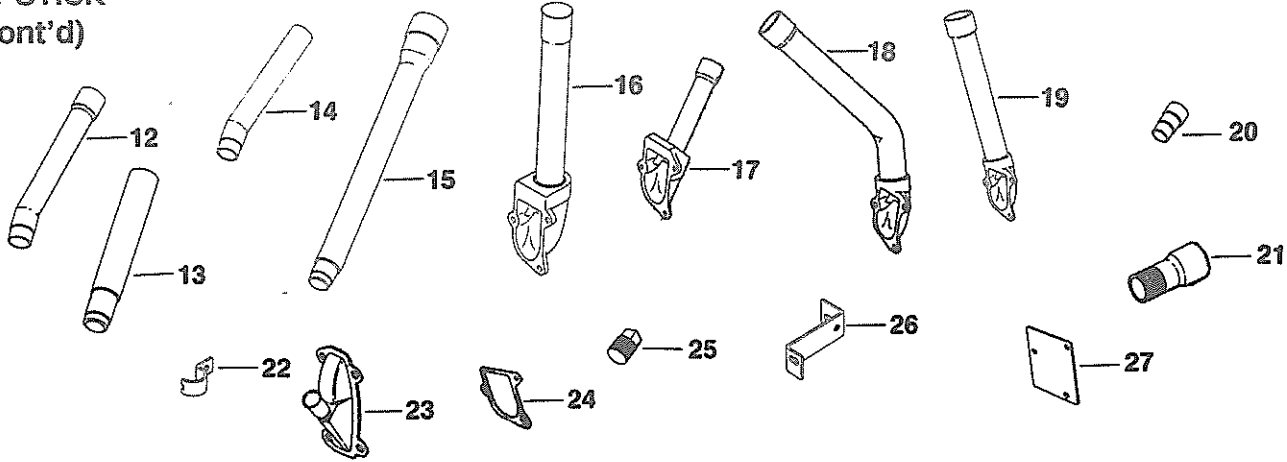


Group 10
DIPSTICK

Index Number	Description Variation Number	Part Number	Index Number	Description Variation Number	Part Number
1	Dipstick 16-13/32" blade (Discontinued not available at Kohler Co.)		5	Dipstick 8-31/32" blade	
	2	A-235608	5	48	237932
1	Dipstick 16-13/32"		5	Dipstick 13-55/64" blade	
	5	A-235543	5	55	47 038 04
1	Dipstick 14-7/8" blade		5	Dipstick 13-51/64" blade	
	4	A-235941	5	57	45 272 03
1	Dipstick 14-7/16" blade		5	Dipstick 14-31/64" blade	
	9	235982	5	63	47 038 16
1	Dipstick 14-7/16" blade (Discontinued not available at Kohler Co.)		5	Dipstick 13-31/64" blade	
	11	A-236210	5	62,202	47 038 18*
1	Dipstick 12" blade (Discontinued not available at Kohler Co.)		5	Dipstick 14-27/32" blade	
	12	232757	5	54	47 038 03
1	Dipstick 15-1/4" blade		6	Dipstick 14-1/2" blade	
	15	236466	6	30	237052
1	Dipstick 15-9/16" blade		6	Dipstick 14-29/64" blade	
	23	236703	6	42	237087
2	Dipstick 8-11/16" blade		6	Dipstick 3-31/32" blade	
	7	A-235985	6	56	47 272 01
2	Dipstick 10" blade		6	Dipstick 13-51/64" blade	
	31,201	237015	6	64	47 272 03
2	Dipstick 4-1/2" blade		7	Dipstick	
	40	A-236640	7	41	A-237211
2	Dipstick 13-7/64" blade		8	Dipstick 3-31/32" blade	
	65	45 272 04*	8	56	47 272 01
3	Dipstick 8-11/16" blade		9	Dipstick	
	17	236837	9	(Replaced by 47 755 35)	
3	Dipstick 16-21/64" blade		10	39	A-237150
	52	47 038 05	10	Dipstick 5-3/4" blade	
4	Dipstick 4-3/8" blade			40	A-237282
	28,35	237013*	11	Dipstick 2-1/4" blade	
5	Dipstick 7-13/16" blade			1,200	A-235092
	44	237620	11	Dipstick 8-7/8" blade	
				3	A-235320
			11	Dipstick 8-3/32" blade	
				8	235747

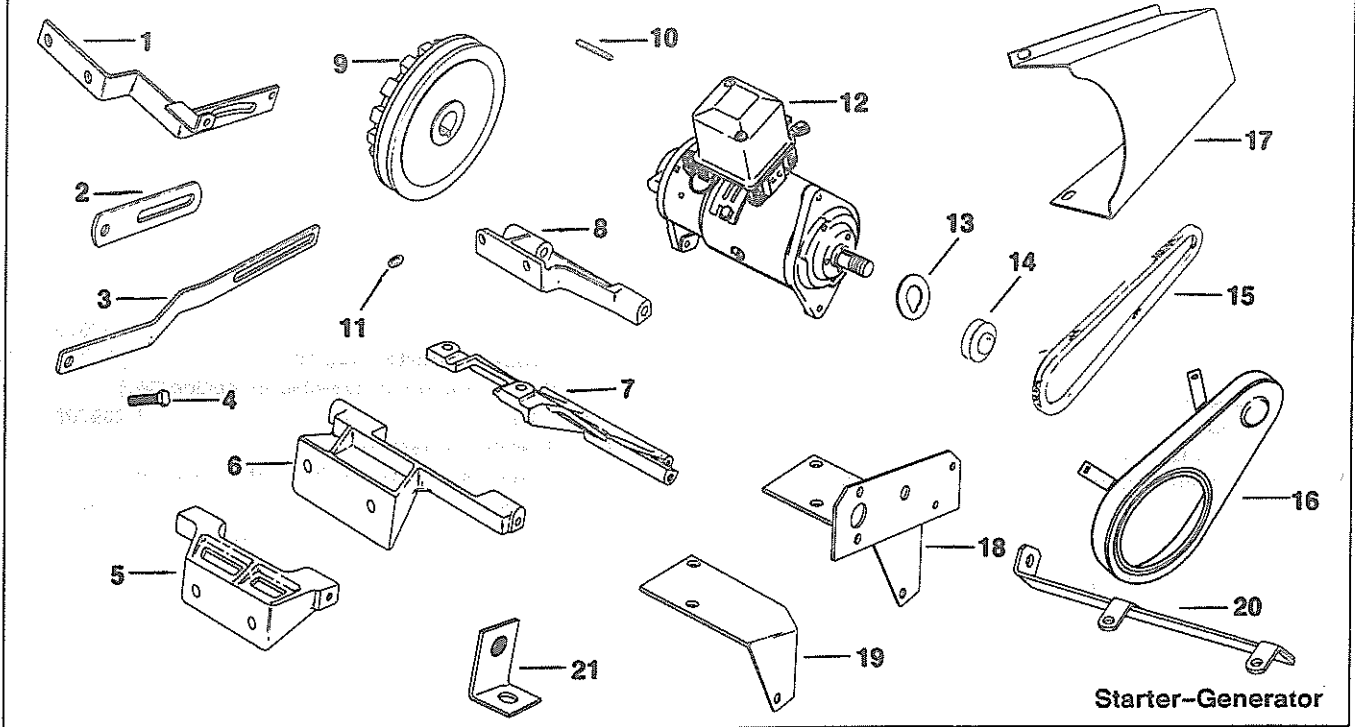
K301

DIPSTICK (Cont'd)



Index Number	Description Variation Number	Part Number	Index Number	Description Variation Number	Part Number
12	Tube, oil fill 7-5/32" 15	236465	23	Cover, camshaft 44,48	237623
13	Tube, oil fill 7-1/2" 2,5	275875	24	Gasket 17,30,31,42,53,54,55,57,62,63,64, 65,200,201,202	237064
13	Tube, oil fill 6-3/4" 9,11	235335	25	Plug, pipe (Discontinued not available at Kohler Co.) 35	X-75-13
14	Tube, oil fill 6-21/32" 4,23,40	235895	26	Bracket, tube (Use after Engine Serial No. 7158393) 55	47 126 11
14	Tube, oil fill 4-1/4" 12	236382	27	Plate, oil fill pad 200	237262
15	Tube, oil fill 8-5/8" 52	47 123 10	NOT ILLUSTRATED Screw, R.H.M. 10-24 x 7/16" (3) 17,30,31,53,54,57,62,63,64,65, 201,202 X-131-2 Screw, socket head (3) (Discontinued not available at Kohler Co.) 42,55 X-55-8 Screw, hex. hd. sems 1/4-20 x 1/2" 55 X-132-6 Washer, I.T. #10 (3) 42,55 X-22-9 Washer (Discontinued not available at Kohler Co.) 55 X-25-60		
15	Tube, oil fill 8-5/8" 56	45 538 01			
16	Tube, oil fill 9" 54,55	47 180 03			
16	Tube, oil fill 9" 53,62,63,202	47 180 04			
17	Tube, oil fill 4-1/16" 17,31,201	47 538 01			
18	Tube, oil fill 9-3/8" 42	237547			
19	Tube, oil fill 9-11/32" 30,57	236964			
19	Tube, oil fill 8-5/8" 64,65	47 180 05			
20	Tube, oil fill 9/16" 7	232656			
21	Tube, oil fill 1-13/16" 28,35	47 123 08			
22	Clamp 55	X-785-1	*When replacing these dipsticks for the first time, oil fill tube must also be ordered.		

Group 11
ELECTRIC START

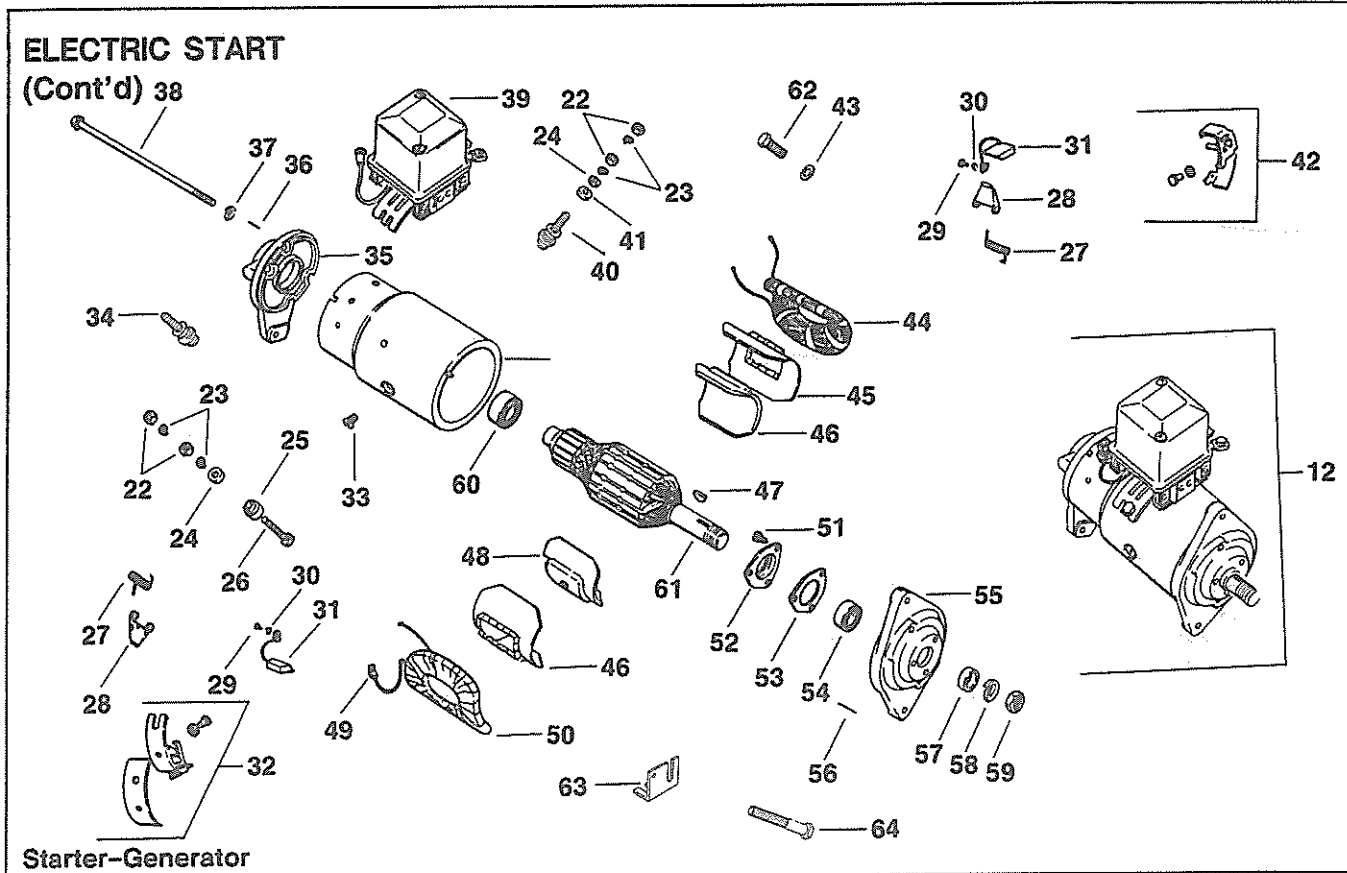


Index Number	Description Variation Number	Part Number	Index Number	Description Variation Number	Part Number
1	Support, starter upper 6,16,19,32	235717	8	Support, starter lower 14	235681
1	Support, starter upper (Discontinued not available at Kohler Co.) 26	236427	9	Pulley, driven 15,28	231591
2	Bracket, starter adjusting 2,7,8,13,14,17,21,38,39,44, 300,305	235203	10	Key, square 15,28	242168
2	Bracket, starter adjusting (Discontinued not available at Kohler Co.) 23	235707	11	Washer (2) (Discontinued not available at Kohler Co.) 32	270889
2	Bracket, starter adjusting 59,66	237055	12	Starter, generator - assembly (Includes regulator) (Discontinued not available at Kohler Co.) 2,6,7,14,16,19,21,32	B-275703
3	Bracket, starter adjusting 15,28	231273	12	Starter, generator - assembly 26	A-236278
4	Screw, hex. hd. 5/16-18 x 1" (3) (Discontinued not available at Kohler Co.) 26	236431	12	Starter, generator - assembly (Discontinued not available at Kohler Co.) 13,23,39,301	B-275847
5	Support, starter lower 15,28	235373	12	Starter, generator - assembly 15	C-231262
6	Support, starter lower 23	235708	13	Shim .010 (A.R.) 2,6,7,14,15,16,17,19,23,26,32,39	236397
6	Support, starter lower 59,66	237882	14	Pulley, generator 2,6,7,13,14,15,16,17,18,19,21, 23,26,32,38,39,300,301,302	235751
7	Support, starter lower 6,16,19,26,32,302	235749	15	Belt 2,7,13,14,21,39	235262
8	Support, starter lower 17,18,21,38	235457	15	Belt 6,16,19,26,32	235261
8	Support, starter lower (Discontinued not available at Kohler Co.) 2,7,8,13,39,300,305	235196	15	Belt 15	231605

**ELECTRIC START
(Cont'd)**

K301

Index Number	Description Variation Number	Part Number	Index Number	Description Variation Number	Part Number
15	Belt 23	231446	19	Support, starter upper 2,7,8,17,18,21,39,300,305	235197
15	Belt 39	235312	19	Support, starter upper 59	237883
16	Guard, belt 6,19,26,32	235530	19	Support, starter upper (Discontinued not available at Kohler Co.) 14	235315
16	Guard, belt 7,13,14,39	235528	19	Support, starter upper 38	236416
16	Guard, belt 38	235529	19	Support, starter upper 66	237056
17	Guard, belt 23	235704	20	Support, starter upper (Discontinued not available at Kohler Co.) 23	235705
17	Guard, belt 303,305	235719	21	Bracket, guard belt (Discontinued not available at Kohler Co.) 305	235066
18	Support, starter upper (Includes panel) (Discontinued not available at Kohler Co.) 13	235198			



Index Number	Description Variation Number	Part Number	Index Number	Description Variation Number	Part Number
22	Nut, terminal (4) ALL	X-81-7	24	Washer, plain terminal (2) (Discontinued not available at Kohler Co.) 2,6,7,13,14,15,16,19,21,23,32,39	275986
23	Washer, split - terminal stud (4) (Replaced by 272320) 2,6,7,13,14,16,19,21,23,32,39	275979	24	Washer, plain terminal (2) (Discontinued not available at Kohler Co.) 26	272319
23	Washer, split - terminal stud 15,26	272320			

Index Number	Description Variation Number	Part Number	Index Number	Description Variation Number	Part Number
25	Bushing, insulated terminal "A" (Replaced by 232861) 2,6,7,13,14,16,19,21,23,32,39	275974	40	Stud, terminal "F" (Includes bushing) (Replaced by 232862) 2,6,7,13,14,16,19,23,32,39	275973
25	Bushing, insulated terminal "A" 15,26	232861	40	Stud, terminal "F" (Includes bushing) (Discontinued not available at Kohler Co.) 15,26	232862
26	Stud, terminal "A" (Discontinued not available at Kohler Co.) 2,6,7,13,14,16,19,21,23,32,39	275972	41	Washer, insulated terminal ALL	275985
26	Stud, terminal "A" (Replaced by 232862) 15	234420	42	Holder, ground brush ALL	231306
27	Spring, brush (2) (Replaced by 285652) 2,6,7,13,14,15,16,19,21,23,32,39	275742	43	Washer, split - regulator mounting (2) 26	X-19-1
27	Spring, brush (2) 26	285652	44	Coil, field - R.H. 2,6,7,13,14,16,19,21,23,36,32,39	275739
28	Arm, brush (2) (Replaced by 272325) 2,6,7,13,14,16,19,21,23,29,32	275743	44	Coil, field - R.H. (Discontinued not available at Kohler Co.) 15	231308
28	Arm, brush (2) 15,26	272325	45	Insulator, field coil 2,6,7,13,14,16,19,21,23,32,39	231974
29	Screw, brush lead (2) ALL	X-49-1	45	Insulator, field coil 15,26	231974
30	Washer, split - brush lead (2) (Replaced by X-18-1) 2,6,7,13,14,16,19,21,23,32,39	275977	46	Shoe, pole - notched (Replaced by 275969) 2,6,7,13,14,15,16,19,21,23,26, 32,39	275970
30	Washer, split - brush lead (2) 26	X-18-1	47	Key, woodruff (Replaced by X-43-3) ALL	275990
31	Brush ALL	275741	48	Shoe, pole - plain 2,6,7,13,14,16,19,21,23,32,39	275969
32	Holder, insulated brush ALL	231307	48	Shoe, pole (Replaced by 275969) 15,26	275970
33	Screw, pole shoe (2) ALL	275984	49	Clip, terminal to brush 2,6,7,13,14,15,16,19,21,23,32,39	275987
34	Stud, terminal "A" (Includes bushing) (Discontinued not available at Kohler Co.) 26	232862	50	Coil, field - L.H. 2,6,7,13,14,16,19,21,23,26, 32,39	275940
35	Frame C.E. (Replaced by 230812) 2,6,7,13,14,16,19,21,23,32,39	275922	50	Coil, field - L.H. 15	231309
35	Frame C.E. 15,26	230812	51	Screw, bearing retainer (3) ALL	275981
36	Pin, dowel, C.E. ALL	275993	52	Plate, retainer D.E. (Discontinued not available at Kohler Co.) ALL	275976
37	Washer, split - thru bolt (2) (Discontinued not available at Kohler Co.) 2,6,7,13,14,16,19,21,23,32,39	275980	53	Gasket, bearing retainer ALL	231312
37	Washer, split - thru bolt (2) 15,26	272330	54	Bearing, D.E. ALL	270311
38	Bolt, thru (2) (Discontinued not available at Kohler Co.) ALL	231314	55	Frame D.E. 2,6,7,13,14,16,19,21,23,26,32,39	275924
39	Regulator 2,6,7,14,16,19,21,26,32	275746	55	Frame D.E. (Discontinued not available at Kohler Co.) 15	234419
39	Regulator (Discontinued not available at Kohler Co.) 23,39,301,304	270952	56	Pin dowel D.E. ALL	275994

ELECTRIC START
(Cont'd)

K301

Index Number	Description Variation Number	Part Number	Index Number	Description Variation Number	Part Number
57	Collar, space D.E. (Discontinued not available at Kohler Co.) 2,6,7,13,14,16,19,21,23,32,39	275971	63	Screw, starter mounting (2) (Use 234948 when fuel tank bracket is mounted with starter mounting screws. After Engine Serial No. 3224985, use 234948 with starter only or use 234380 when fuel tank bracket is mounted with starter mounting screws.)	
57	Collar, space D.E. 15,26	275017			
58	Washer, split - shaft D.E. 26	X-26-10			
59	Nut, shaft D.E. (Replaced by 271267) 2,6,7,13,14,16,19,21,23,32,39	275962	63	Screw, starter mounting (2) (Use 234380 when fuel tank bracket is mounted with starter mounting screws) 54,56,60,61,65,67,70,73,86	234379
59	Nut, shaft D.E. (2) 15	271267			
59	Nut, shaft D.E. . 26	271267	63	Screw, starter mounting (2) 58,62,69,71	234948
60	Bearing, ball C.E. ALL	230813	64	Bracket, support (Use 236737 prior to Engine Serial No. E-227420) 30,45,54,56,60,61,65,67	237239
61	Armature ALL	A-275738			
62	Screw, regulator mtg. (2) (Discontinued not available at Kohler Co.) 26	234415			
63	Screw, starter mounting (2) (Use 234380 when fuel tank bracket is mounted with starter mounting screws) 30,45	234948			
63	Screw, starter mounting (2) (Use 234380 when fuel tank bracket is mounted with starter mounting screws. On Engine Serial Nos. E-172452 thru 3224985, use 234379 with starter only or use 234948 when fuel tank bracket is mounted with starter mounting screws. After Engine Serial No. 3224985, use 234948 with starter only or use 234380 when fuel tank bracket is mounted with starter mounting screws.) 37,40,41	234948			

A number of changes have been made on United Technologies/American Bosch starting motors. When major changes were made, United Technologies changed their model designation and Kohler in turn changed the starter part number and also established an engine serial number break to indicate when the new model was used. The chart below lists the starter supersessions by both United Technologies model and Kohler part number. Following the chart is a parts breakdown of each starter with the starters listed in numerical sequence by Kohler part number.

The United Technologies model number is found on the mounting bracket of each starter. If the model number can be obtained, locate the corresponding Kohler part number in the chart. Then find the required replacement part numbers under the parts breakdown for that Kohler starter number.

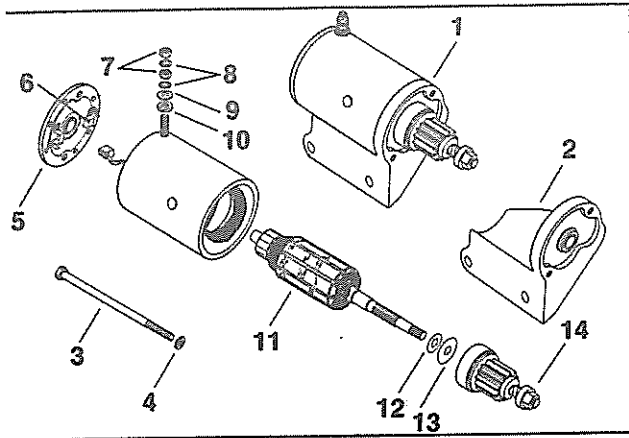
If the United Technologies model cannot be determined, check the serial number of the engine to determine which starter it uses. For example, if starter variation 30 is called for and the engine serial number is E-277390, the chart indicates the United Technologies SME12A13 or Kohler A-236292 starter. If the serial number had been E-228055, the chart indicates that the engine used the SMH12A13 or Kohler A-237132 starter.

Variations	Kohler Part No.	Replaced By		Effective at Serial No.	
		United Tech./ American Bosch Part No.	Kohler Part No.		United Tech./ American Bosch Part No.
30,45	A-236292	SME12A13	A-237132	SMH12A3	E-227420
	A-237132	SMH12A3	B-237132	SMH12A3	*
	B-237132	SMH12A3	A-237511	SM12A5 or 05995-21- M030SM	31782
37,40,41	A-236396	SME12A11	A-237131	SMH12A2	E-172452
	A-237131	SMH12A2	A-237510	SMH12A2	
	A-237510	SMH12A2	A-237534	SMH12A4 or 05994-24- M030SM	3224986
	A-237534	SMH12A4 or 05994-24- or M030SM	45 098 07	16353-23- M030SM	1830902733
50,53	A-237510	SMH12A2	A-237534	SMH12A4 or 05994-24- M030SM	3224986
	A-237534	SMH12A4	45 098 07	16353-23- M030SM	18030902733
70,73	A-237534	SMH12A4 or 05994-24- M030SM	45 098 07	16353-23- M030SM	18030902733
54,60,61,65,67	A-237511	SMH12A5 or 05995-21- M030SM			
58,62	45 098 01	SMH12A201	45 098 03	SMH12A201	7144003
	45 098 03	SMH12A201	45 098 05	12507-29- M030SM	7333352
	45 098 05	12507-29- M030SM	45 098 07	16353-23- M030SM	8193133
69,71,86	45 098 06	14925-27- M030SM			

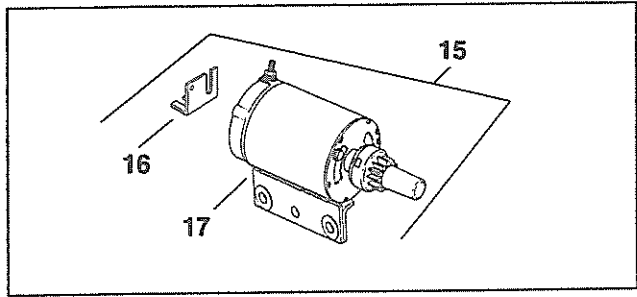
* Dust shield kit 237555 was added to A-237132 starter which changes the starter number to B-237132. Dust shield kit includes stop gear spacer, shield retainer and dust shield.

ELECTRIC START
(Cont'd)

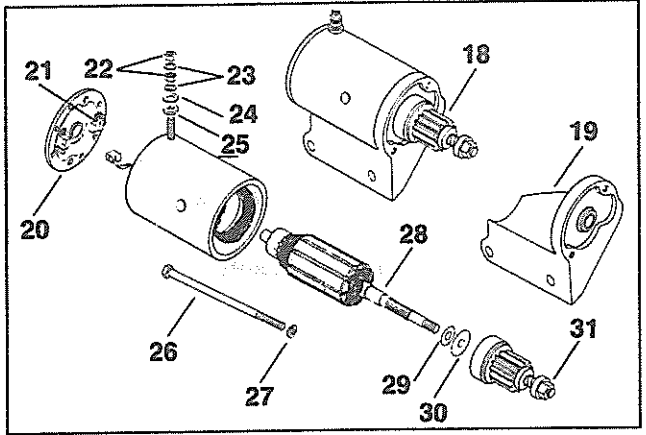
K301



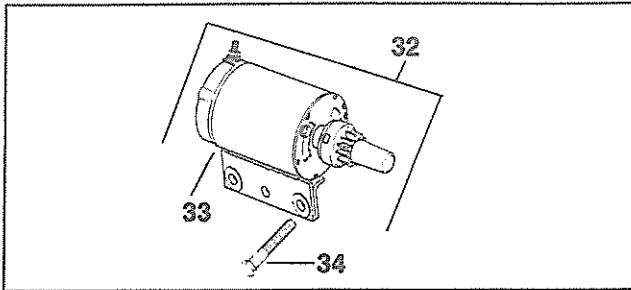
Index Number	Description	Part Number
1	Starter - assembly (low mount) (SME12A13) (Includes 11-14) (Replaced by A-236292-S kit)	A-236292
2	Plate D.E.	236627
3	Bolt thru (2)	236577
4	Washer, split-thru bolt (Replaced by 237761 - Discontinued not available at Kohler Co.)	236574
5	Cap-assembly C.E.	236628
6	Brush and spring	236576
7	Nut, terminal lead (2) (Replaced by 237761 - Discontinued not available at Kohler Co.)	236575
8	Washer, split (2) (Discontinued not available at Kohler Co.)	236594
9	Washer, spacing (Replaced by 237761 - Discontinued not available at Kohler Co.)	236573
10	Washer, insulator (Discontinued not available at Kohler Co.)	236572
11	Armature	236571
12	Washer, spacer .005 (Discontinued not available at Kohler Co.)	236570
13	Washer, spacer .010 (A.R.)	236568
14	Drive	236562



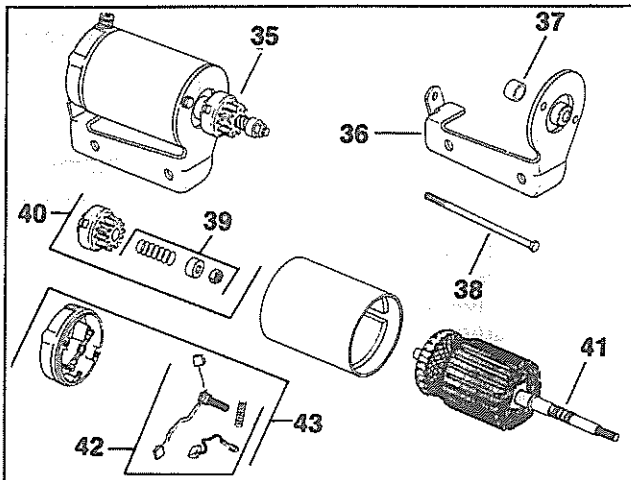
Index Number	Description	Part Number
15	Kit, starter (low mount) (Includes 16,17)	A-236292-S
16	Bracket, starter support	237239
17	Starter - assembly (See Page 52 for breakdown)	A-237511



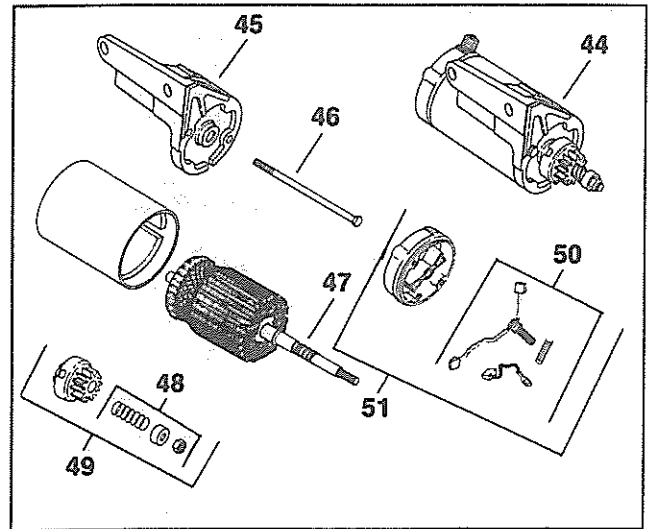
Index Number	Description	Part Number
18	Starter - assembly (high mount) (SME12A11) (Includes 19-31) (Replaced by A-236396-S kit)	A-236396
19	Kit, starter bracket (Discontinued not available at Kohler Co.)	237225
20	Cap - assembly C.E. (Discontinued not available at Kohler Co.)	236564
21	Brush and spring	236576
22	Nut, terminal lead (2) (Replaced by 237761 - Discontinued not available at Kohler Co.)	236575
23	Washer, split (2)	236594
24	Washer, spacing (Replaced by 237761 - Discontinued not available at Kohler Co.)	236573
25	Washer, insulator	236572
26	Bolt, thru (2)	236577
27	Washer, split-thru bolt	236574
28	Armature	236571
29	Washer, spacer .005 (Discontinued not available at Kohler Co.)	236570
30	Washer, spacer .010	236568
31	Drive	236562



Index Number	Description	Part Number
32	Kit, starter (high mount) (Includes 37,38)	A-236396-S
33	Screw, H.C. (2) (High mount starter for J. Deere when 236423 bracket is used)	234380
34	Screw, H.C. (2) (High mount starter only mounting)	234948



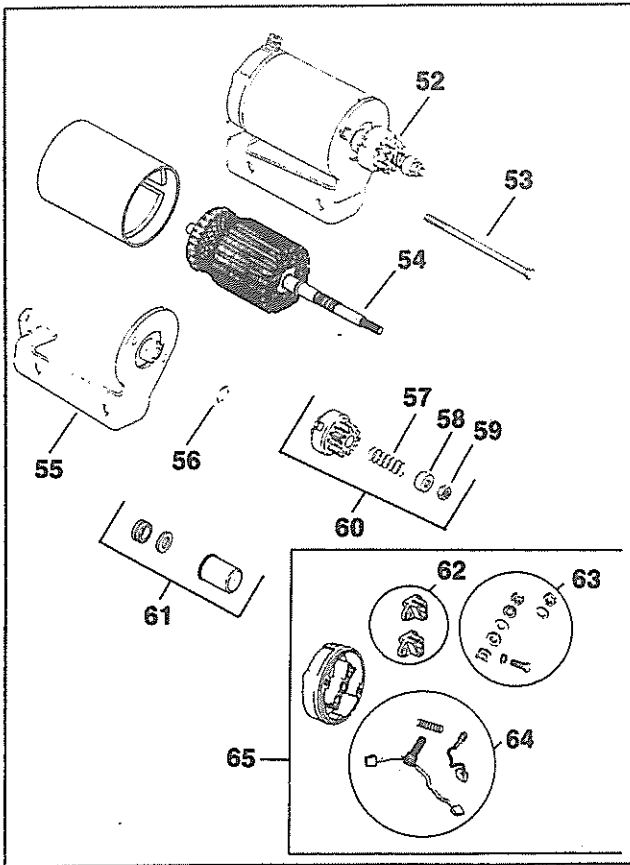
Index Number	Description	Part Number
35	Starter - assembly (high mount) (SMH12A20) (Includes 36-42) (Replaced by A-237534)	A-237131
36	Bracket and cap D.E.	237362
37	Bearing	41 030 01
38	Bolt, thru w/washer (2) (Replaced by 237758)	237358
39	Kit, drive parts	47 755 13
40	Kit, drive (Includes 39)	47 755 07
41	Armature	47 170 01
42	Kit, brush	48 755 15
43	Cap, commutator end	48 227 04



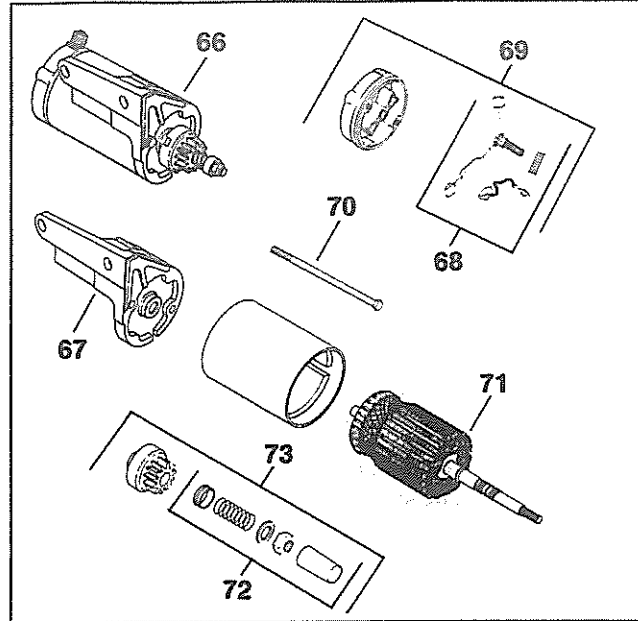
Index Number	Description	Part Number
44	Starter - assembly (low mount) (SMH12A3) (Includes 44-51) (Replaced by A-237511)	A-237132
45	Bracket and cap D.E.	237361
46	Bolt, thru w/washer (2)	237646
47	Armature	47 170 01
48	Kit, drive parts	47 755 13
49	Kit, drive (Includes 48)	47 755 07
50	Kit, brush	48 755 15
51	Cap, commutator end	48 227 04

ELECTRIC START
(Cont'd)

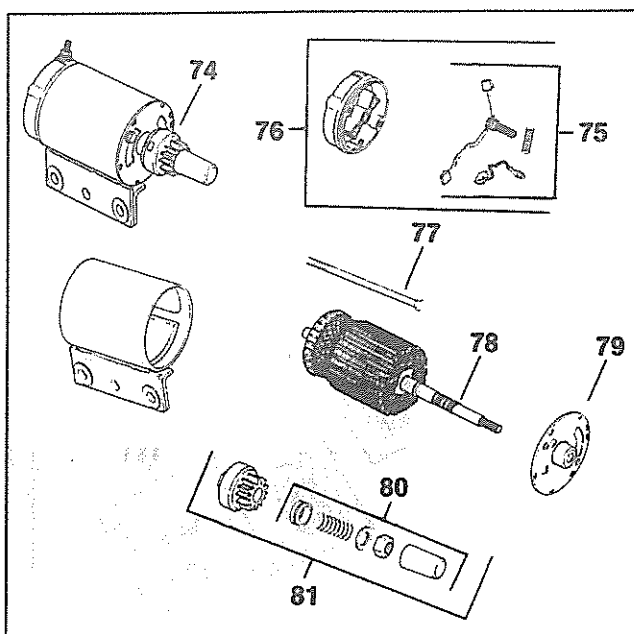
K301



Index Number	Description	Part Number
52	Starter - assembly (high mount) SMH12A4 (Includes 53-65) (Replaced by A-237534) (Replaced by 45 098 07)	A-237510
53	Bolt, thru w/washer (2) (Replaced by 237758)	237358
54	Armature	237364
55	Bracket and cap D.E.	237362
56	Washer, armature thrust (Replaced by 47 468 02)	237363
57	Spring, anti-drift (Replaced by 45 089 03)	237357
58	Spacer, stop gear (Starters with dust shield use 237645) (Replaced by 47 755 13)	237356
59	Nut, stop	X-101-4
60	Kit, drive (Includes 57-59) (Replaced by 47 755 07)	237370
61	Kit, dust shield (Replaced by 47 755 13)	237762
63	Kit, hardware (Discontinued not available at Kohler Co.)	237761
64	Kit, brush and spring (Replaced by 277613) (Replaced by 48 755 15)	237367
65	Kit, commutator cap (Includes 62-64) (Replaced by 47 755 12) (Replaced by 48 227 04)	237364

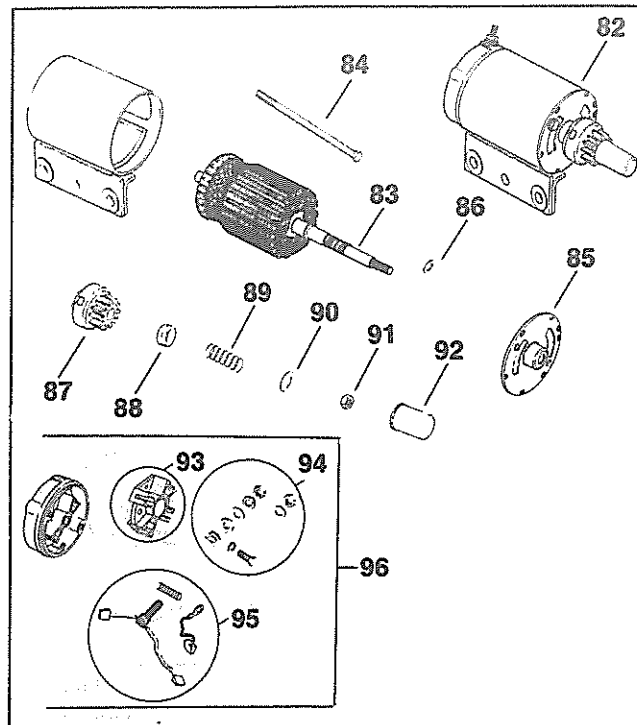


Index Number	Description	Part Number
66	Starter - assembly (low mount) (SMH12A5 or 05995-21-M030SM) (Includes 67-73)	A-237511
67	Bracket and cap D.E.	237361
68	Kit, brush and spring	48 755 15
69	Kit, commutator cap	48 227 04
70	Bolt, thru w/washer	237646
71	Armature	47 170 01
72	Kit, drive parts	47 755 13
73	Kit, drive	47 755 07



Index Number	Description	Part Number
--------------	-------------	-------------

74	Starter - assembly (high mount) (SMH12A4 or 05994-24-M030SM) (Includes 75-81) (Replaced by 45 098 07)	A-237534
75	Kit, brush	48 755 15
76	Cap, commutator end	48 227 04
77	Bolt, thru w/washer (2)	237649
78	Armature	47 170 01
79	Cap, D.E.	237650
80	Kit, drive parts	47 755 13
81	Kit, drive (Includes 80)	47 755 07

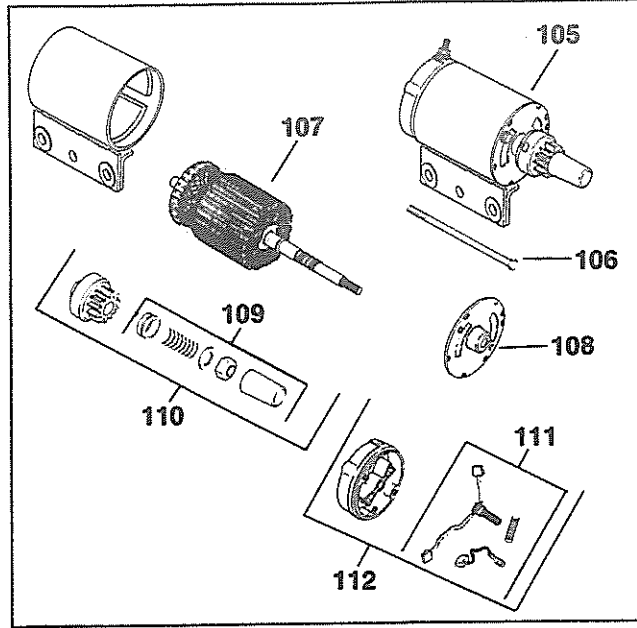
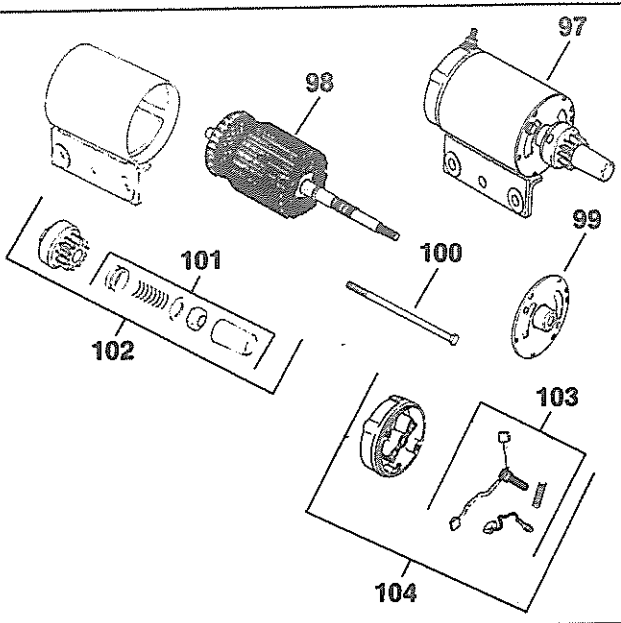


Index Number	Description	Part Number
--------------	-------------	-------------

82	Starter - assembly (high mount) (SMH12A201) (Includes 83-96) (Replaced by 45 098 05) (Replaced by 45 098 07)	45 098 01
83	Armature	237846
84	Bolt, thru w/washer (2)	237649
85	Cap, D.E.	237650
86	Washer, armature thrust (Replaced by 47 468 02)	237363
87	Drive (Replaced by 45 755 03)	237809
88	Spacer, dust cover (Replaced by 47 755 13)	237647
89	Spring, anti-drift (Replaced by 45 089 03)	237357
90	Spacer, stop gear (2) (Replaced by 47 755 13)	237645
91	Nut, stop (Replaced by 47 755 13)	237644
92	Cover, dust	237643
93	Kit, brush holder (Discontinued not available at Kohler Co.)	237762
94	Kit, hardware (Discontinued not available at Kohler Co.)	237761
95	Kit, brush and spring (Replaced by 277613) (Replaced by 48 755 15)	237367
96	Kit, commutator cap (Includes 93-95) (Replaced by 47 755 12) (Replaced by 45 170 01)	237368 237846

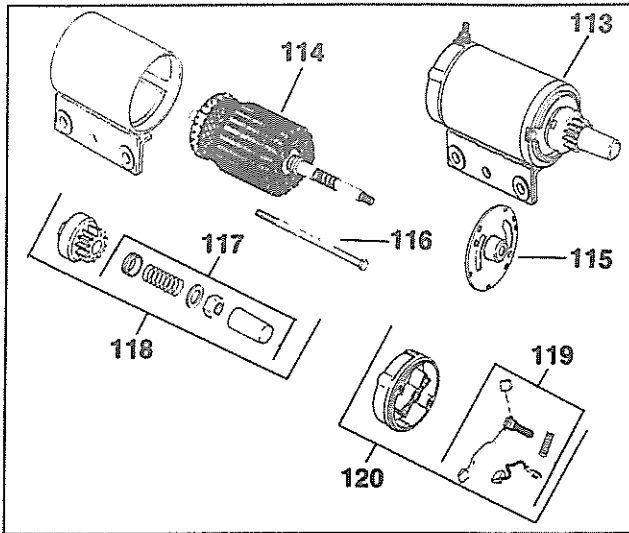
ELECTRIC START
Cont'd)

K301

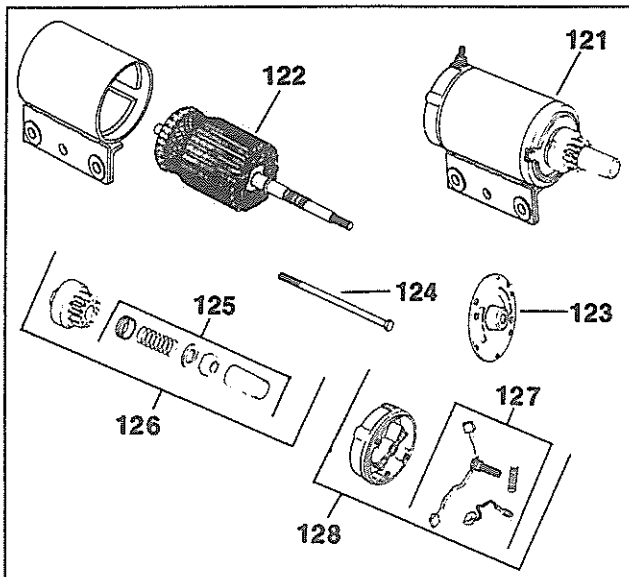


Index Number	Description Variation Number	Part Number
97	Starter - assembly (high mount) (SMH12A201) (Includes 98-104) (Replaced by 45 098 05) (Replaced by 45 098 07)	45 098 03
98	Armature	45 755 09
99	Cap, D.E.	237650
100	Bolt, thru w/washer (2)	237649
101	Kit, drive parts	47 755 13
102	Kit, drive	45 755 03
103	Kit, brush	48 755 15
104	Cap, commutator end	48 227 04

Index Number	Description Variation Number	Part Number
105	Starter - assembly (high mount) (12507-29-M030SM) (Includes 106-112) (Replaced by 45 098 07)	45 098 05 237649
106	Bolt, thru w/washer	45 170 02
107	Armature	237650
108	Cap, D.E.	47 755 13
109	Kit, drive parts	47 755 07
110	Kit, drive	48 755 15
111	Kit, brush	48 227 04
112	Cap, commutator end	



Index Number	Description	Part Number
113	Starter - assembly (14925-27-M030SM) (Includes 114-120)	45 098 06
114	Armature	45 170 02
115	Bracket and cap, D.E.	237650
116	Bolt, thru w/washer	237649
117	Kit, drive parts	47 755 13
118	Kit, drive (Includes 117)	47 749 02
119	Kit, brush	48 755 15
120	Cap, commutator end	48 227 04



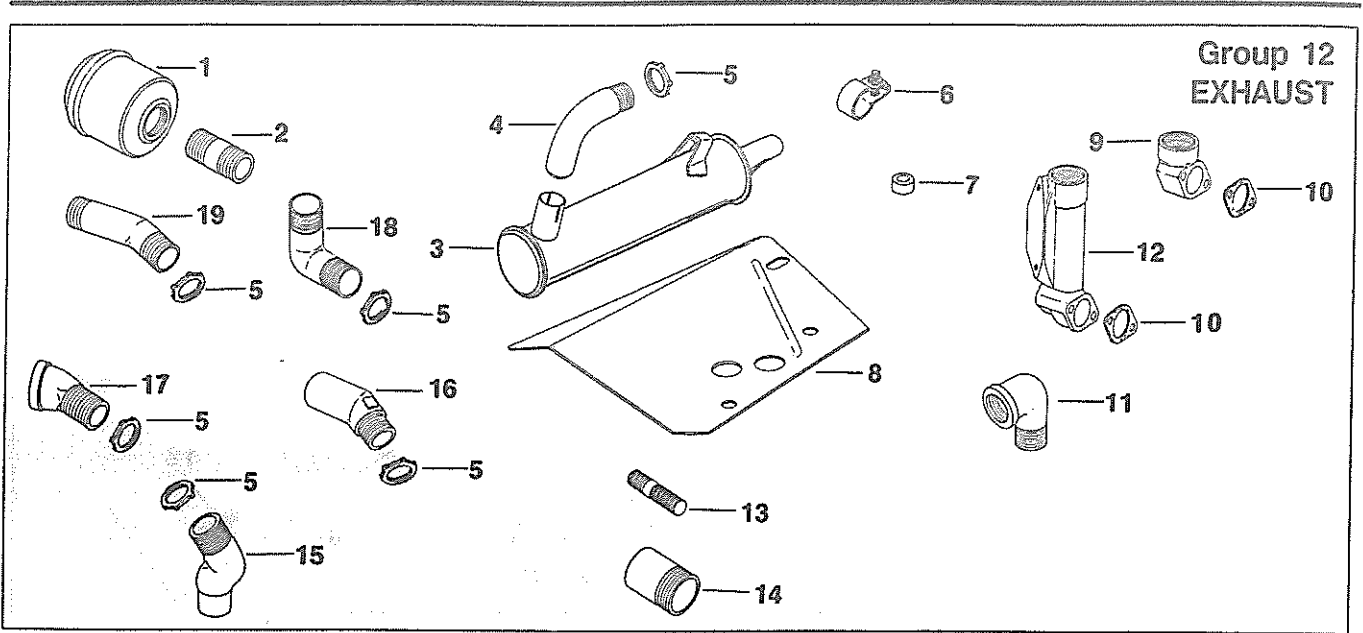
Index Number	Description	Part Number
121	Starter - assembly (Includes 122-128)	45 098 07
122	Armature	45 170 02
123	Cap, drive end	237650
124	Bolt, thru w/washer	237649
125	Kit, drive parts	47 755 13

Index Number	Description	Part Number
126	Kit, drive (Includes 125)	47 755 07
127	Kit, brush	48 755 15
128	Cap, commutator end	48 227 04

NOT ILLUSTRATED

Washer, lock 5/16"	2, 7, 8, 13, 14, 16, 17, 19, 21, 23, 32, 38, 39, 59, 66, 300, 305	X-21-1
Washer, lock 5/16" (4)	26	X-21-1
Washer, lock 3/8" (2)	2, 7, 8, 13, 14, 15, 17, 18, 21, 26, 28, 30, 37, 38, 39, 40, 41, 45, 50, 53, 54, 58, 59, 60, 61, 62, 65, 66, 67, 69, 70, 71, 73, 86, 300, 305	X-22-1
Washer, I.T. #10 (4)	41	X-22-9
Washer, I.T. 3/8"	15, 28	X-22-10
Washer, I.T. 1/4"	40, 41	X-22-11
Washer, plain 3/8"	6, 7, 14, 39	X-25-5
Washer, plain 1/4" (2)	13, 19, 26, 32, 39	X-25-63
Washer, plain 3/8"	45, 54, 60, 61, 65, 67	X-25-41
Washer, plain 5/16"	(Discontinued not available at Kohler Co.) 2, 6, 7, 13, 14, 15, 16, 17, 19, 21, 23, 26, 32, 39	X-25-75
Washer, plain 5/16"	(Discontinued not available at Kohler Co.) 17	X-25-77
Washer, plain 3/8" (2)	59, 66	X-25-93
Washer, plain 1/4"	7, 13	X-25-63
Screw, R.H.M. 5/16-18 x 3/8"	(Discontinued not available at Kohler Co.) 19, 26, 32	X-51-24
Screw, set 5/16-18 x 1/4" (2)	15, 28	X-60-50
Screw, hex. wash. hd. 1/4-20 x 3/4"	30, 45, 54, 60, 61, 65, 67	X-67-62
Screw, pan hex. mach. 10-24 x 1"	(Replaced by 25 086 29) 41	X-116-4
Screw, H.C. 5/16-18 x 3/4"	2, 7, 8, 13, 21, 23, 38, 39, 59, 66, 300, 305	X-125-3
Screw, H.C. 5/16-18 x 1"	14, 17	X-125-5
Screw, H.C. 3/8-16 x 7/8"	28	X-129-4
Screw, H.C. 3/8-16 x 7/8" (2)	13, 21, 38	X-129-4
Screw, H.C. 3/8-16 x 1-1/8" (2)	2, 7, 8, 14, 18, 28, 59, 66, 300, 305	X-129-13

Index Number	Description Variation Number	Part Number	Index Number	Description Variation Number	Part Number
	Screw, H.C. 3/8-16 x 1-1/8" (3) 15,39	X-129-13		Screw, H.C. 5/16-18 x 1" (2) 17	X-154-2
	Screw, H.C. 3/8-16 x 1" 17	270677		Screw, H.C. 5/16-18 x 1" (3) 2,6,7,13,14,15,16,19,21,23,32,39	X-154-2
	Screw, shoulder H.C. 3/8-16 x 1-3/8" 30,45,60,61	234380		Nut, 1/4 40,41	X-81-1
	Screw, H.C. 1/4-20 x 3/8" 6,7,13,14,19,26,32,39	X-132-1		Nut, hex. 5/16-18 7,8,13,14,17,21,23,25,38,39,59, 66,300,305	X-82-2
	Screw, H.C. 1/4-20 x 1/2" 2	X-132-6			

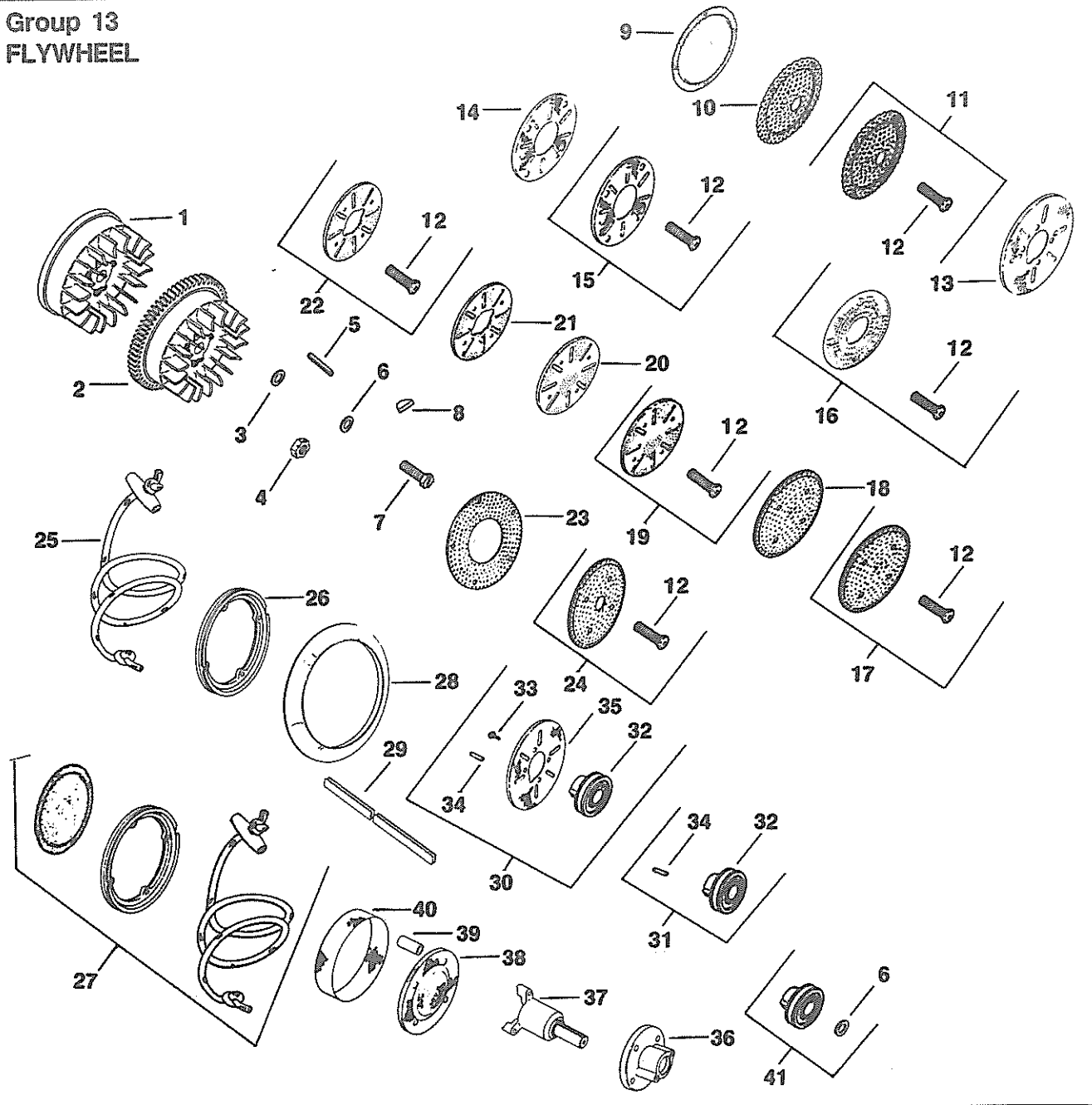


Group 12
EXHAUST

Index Number	Description Variation Number	Part Number	Index Number	Description Variation Number	Part Number
1	Muffler, pepperpot 1,5,6,9,10,11,13,29,300,304,305, 310,311,313	275679	14	Pipe 1" I.P. x 2-1/2" lg. 33	X-229-1
1	Muffler, pepperpot (2) 307	275679	15	Elbow, exhaust 39	47 054 01
2	Pipe, nipple 1" I.P. x 3" lg. 1,4,5,6,29,305,313	41 136 02	16	Elbow, exhaust 42	47 054 02
2	Pipe, nipple 1" I.P. x 3" lg. (Discontinued not available at Kohler Co.) 9	237097	17	Elbow, street 13,29	231441
2	Pipe, nipple 1" I.P. x 2-1/2" lg. 13	X-218-23	18	Pipe, exhaust 10,11,19,304,307,310	231820
3	Muffler, cannister 8,25,34,303,308	237550	19	Pipe, exhaust 5,7	235194
4	Elbow, exhaust 8,14,25,34	235692	NOT ILLUSTRATED		
5	Nut, lock 5,7,8,10,11,13,14,19,20,45,304, 307,310	AC-1536		Screw, H.C. 5/16-18 x 1" 25,34	X-6-7
6	Clamp, muffler 25,34,308	237543		Screw, H.C. 5/16-18 x 5/8" 8	X-6-12
7	Spacer 25,34	X-400-72		Screw, H.C. 5/16-18 x 1-1/2" 2,10,31,305,306	X-6-28
8	Baffle, heat 8,25,34	237679		Screw, H.C. 5/16-18 x 2" 2,10,31,305,306	X-6-29
9	Elbow, exhaust 12	236268		Screw, H.C. 5/16-18 x 1-5/8" (2) 12	X-6-35
10	Gasket, exhaust 2,9,10,12,31,302,305,306,309,312	235122		Washer, lock 5/16" 8,9,25	X-21-1
10	Gasket, exhaust (2) 301	235122		Washer, lock 5/16" (2) 34	X-21-1
11	Elbow 45	230600		Washer, plain 5/16" 8,25	X-25-20
12	Elbow, exhaust 2,10,31,305,306	235166		Washer, plain 5/16" 34	X-25-51
13	Stud (2) (Replaced by 41 072 19) 3,301,309	235899		Screw, R.H.M. 1/4-20 x 3/8" (2) 10,31,306	X-73-22
14	Pipe 1" I.P. x 2-1/4" lg. 27	X-229-11		Screw, H.C. sems 5/16-18 x 1-1/8" 9	X-154-3
				Screw, hex. hd. 5/16-18 x 2-1/4" 9	230578

K301

Group 13 FLYWHEEL



Index Number	Description Variation Number	Part Number	Index Number	Description Variation Number	Part Number
1	Flywheel 1,13,26,29,102,111,227,229,501	A-235908	1	Flywheel 32,47,153,278	A-236345
1	Flywheel 2,6,11,17,34,108,112	47 025 40	1	Flywheel 23,42,268	235464
1	Flywheel 3,8,31	237297	1	Flywheel 137	A-237655
1	Flywheel 5	235841	1	Flywheel 158,160	A-237435
1	Flywheel 14,24	235432	1	Flywheel 228	47 025 49
1	Flywheel 21,39	A-235978			

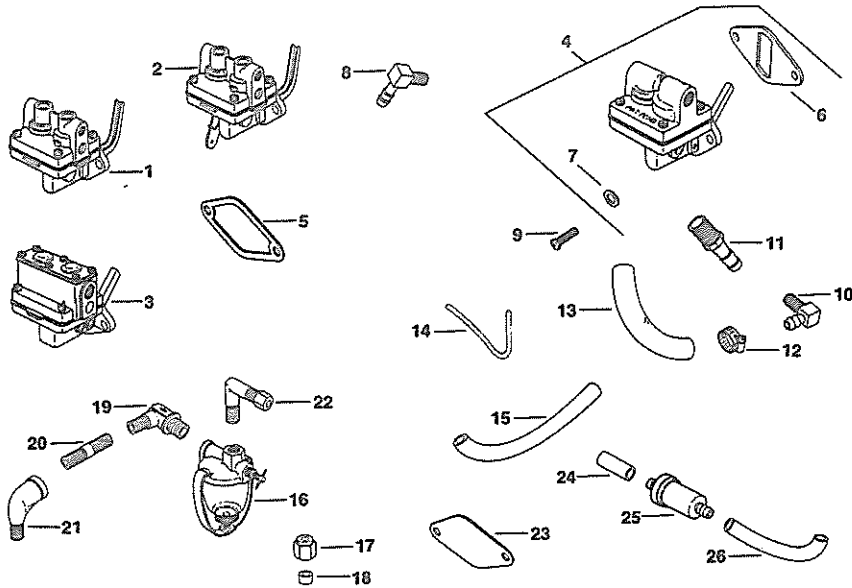
Index Number	Description Variation Number	Part Number	Index Number	Description Variation Number	Part Number
1	Flywheel (Discontinued not available at Kohler Co.) 9	A-235928	2	Flywheel 226	47 025 52
1	Flywheel (Discontinued not available at Kohler Co.) 20	A-235734	2	Flywheel 282	47 025 47
1	Flywheel (Discontinued not available at Kohler Co.) 76	A-236999	2	Flywheel 40 (Discontinued not available at Kohler Co.)	A-236543
1	Flywheel (Discontinued not available at Kohler Co.) 141	237893	2	Flywheel 50 (Discontinued not available at Kohler Co.)	A-236678
1	Kit, flywheel (Includes key) 12,265	47 755 02	2	Flywheel 86 (Discontinued not available at Kohler Co.)	A-236773
2	Flywheel 33,51,62,69,73,77,85,90,91,121, 503	47 025 11	3	Washer, plain 5/8" ALL (except 12,20,23,25,42,151)	X-25-104#
2	Flywheel 36,61	47 025 10	3	Washer, plain 5/8" 12,23,42,151	X-25-76#
2	Flywheel 43,502	47 025 12	3	Washer, lock 5/8" 20,25	X-24-2#
2	Flywheel 48,147,186,236	A-236707	4	Nut, lock 5/8-18" ALL	X-119-14#
2	Flywheel 65,96	A-236286	5	Key, square (Use X-286-17 after Engine Serial No. 5071832) 12,14,23,24,25,42,86	X-366-1#
2	Flywheel 71	47 025 13	5	Key, square ALL (except 12,14,23,24,25,42,86)	X-286-17#
2	Flywheel 81	47 025 12	6	Washer, plain 3/8" (Replaced by 52 468 15) ALL	52 114 02*
2	Flywheel 98	A-237123	7	Screw, hex. mach. 3/8-24 x 1-1/8" (Replaced by 25 086 24) ALL	25 086 04*
2	Flywheel 103,115,116,117,120,123,124,126, 164,188,189,192,212,230,233,235, 255,504	47 025 28	8	Key, woodruff ALL	X-46-3*
2	Flywheel 106	47 025 19	9	Screen, grass 1,3,9,26,32,33,34,39,40,47,48,62, 98,103,137,154,158,280,501	235208
2	Flywheel 173	47 025 29	9	Screen, grass 14,42,141,268	235462
2	Flywheel 128	47 025 18	9	Screen, grass 278	47 162 13
2	Flywheel 143	47 025 17	10	Screen, grass 2,6,17,21,69,112	235052
2	Flywheel 151,263	47 025 23	11	Kit, grass screen (Includes 12) 120,121,155,170,240	47 755 16
2	Flywheel 155,170,207,231,232,238,240,241, 243,258,280,288	47 025 24	12	Screw, pozidriv T.H. 1/4-20 x 5/8" (4) 2,6,8,9,11,13,14,21,26,33,34,36, 47,50,51,61,62,65,69,71,73,77, 81,85,91,96,106,108,111,112,115, 117,120,121,123,124,126,143,147, 151,153,154,168,170,173,174,178, 188,189,207,212,226,228,231,232, 233,236,240,241,243,256,263,273, 282,288,503,504,508	47 086 08
2	Flywheel 156	47 025 22	13	Screen, grass 13,76,111,153	47 162 02
2	Flywheel 168,260	47 025 44	14	Screen, grass (Discontinued not available at Kohler Co.) 20,25	235689
2	Flywheel 174	47 025 41			
2	Flywheel 178	47 025 42			
2	Flywheel 191,271,272,273	47 025 45			
2	Flywheel 216	47 025 53			

Index Number	Description Variation Number	Part Number	Index Number	Description Variation Number	Part Number
14	Screen, grass (Discontinued not available at Kohler Co.) 29	47 162 05	31	Cup assembly (Includes 32,34) 151	41 071 03
14	Screen, grass 126	47 162 04	32	Cup, drive 12,151	41 109 02
15	Kit, grass screen (Includes 12) 168,260	47 755 19	33	Screw, hex. wash. hd. 8-32 x 1/4" (4) 12,265	X-67-41
16	Kit, grass screen (Includes 12) 13,226,228	47 755 21	34	Pin, dowel 12,151,265	X-56-7
16	Kit, grass screen (Includes 12) 173	47 755 18	35	Screen, grass 12,265	235190
17	Kit, grass screen (Includes 12) 50,71,73,96,123,134,143,147,178, 212,232,233,235,236,243,273,282, 503	47 755 15	36	Adapter, front drive 77,115,174,188,256	237373
18	Screen, grass 189	47 162 16	37	Shaft, front drive 2,69	235226
19	Kit, grass screen (Includes 12) 51,65,91,117,231,288	47 755 22	37	Shaft, front drive 6	235556
20	Screen, grass 207,241,508	47 162 29	37	Shaft, front drive 11,21,85,124	235377
21	Screen, grass (Replaced by 47 755 23, Kit) 77,115,174,188	237372	37	Shaft, front drive 17	235954
22	Kit, grass screen 256	47 755 23	37	Shaft, front drive 112,126,155,240	237350
23	Screen, grass (Use 237377 after Serial No. 435183) 102,160,186,191	237250	37	Shaft, front drive 164	47 144 01
24	Kit, grass screen (Includes 12) 151,263	47 755 17	37	Shaft, front drive 192	47 144 09
25	Rope ALL	A-230099	38	Cover, screen 31	231989
26	Pulley, electric start (Single groove) 1,2,3,6,8,9,11,17,21,26,31,32,33, 34,36,39,40,47,48,61,62,69,85,96, 98,103,106,108,112,124,137,154, 158,278,280,501	235207	39	Spacer (4) 31	X-400-35
26	Pulley, electric start 14,23,24,42,141,268	235784	40	Screen, cylinder 31	231988
27	Kit, rope start pulley (Includes 9,24,25) 227,272	47 755 28	41	Kit, cup (Includes 6) 263,265	52 755 61
28	Ring, air Inlet 26,47	236557	NOT ILLUSTRATED		
29	Channel, rubber (Not used after Serial No. 4352183) 102,160,186,191	X-532-2		Screw, H.C. 1/4-20 x 1" (3) 23	X-5-7
30	Cup and screen assembly (Includes 32-35) 12	41 071 05		Screw, H.C. 1/4-20 x 2-3/4" (4) 31	X-5-33
30	Cup and screen assembly (Includes 33-35,41) 265	25 109 01		Screw, H.C. 3/8-16 x 7/8" (4) 2,6,11,17,21,69,77,85,112,115, 124,126,164,174,189,192	X-7-6
				Screw, H.C. sems 1/4-20 x 1/2" (4) 20,25,29,76	X-132-6
				Screw, H.C. sems 3/8-16 x 7/8" (4) 240,256	X-159-2
				Screw, T.H. 1/4-20 x 5/8" (4) 1,14,23,24,32,39,40,42,48,98, 103,137,141,158,227,268,272, 273,278,280	X-166-1
				Washer, plain 3/8" (4) 153	X-25-13
				Washer, plain 1/4" (4) 1,32,39,48,103,137,158,178,189, 207,227,241,272,273,278,280, 501,508	X-25-52

Index Number	Description Variation Number	Part Number	Index Number	Description Variation Number	Part Number
	Washer, plain 1/4" (4) 51,77	X-25-53		#NOTE: This hardware is used to fasten externally threaded crankshafts only. The hardware used to fasten internally threaded crankshafts is also listed. Refer to Items 6-8. For crankshaft information, refer to Group 8.	
	Washer, plain 1/4" (4) 25	X-25-63			
	Washer, plain 1/4" (8) 20,29,50,71,73,91	X-25-73			
	Washer, plain 1/4" 503	X-25-78			
	Washer, plain 1/4" 121	X-25-99			
	Washer, lock 3/8" (4) 2,6,11,17,21,69,77,85,112,115, 124,126,164,174,189,192	X-22-1		*NOTE: This hardware is used to fasten internally threaded crankshafts only. The hardware used to fasten externally threaded crankshafts is also listed. Refer to Items 3-5. For crankshaft information, refer to Group 8.	
	Washer, I.T. 1/4" (4) 23	X-22-11			
	Washer, I.T. 1/4" (4) 31	X-22-36			

K301

Group 14 FUEL PUMP

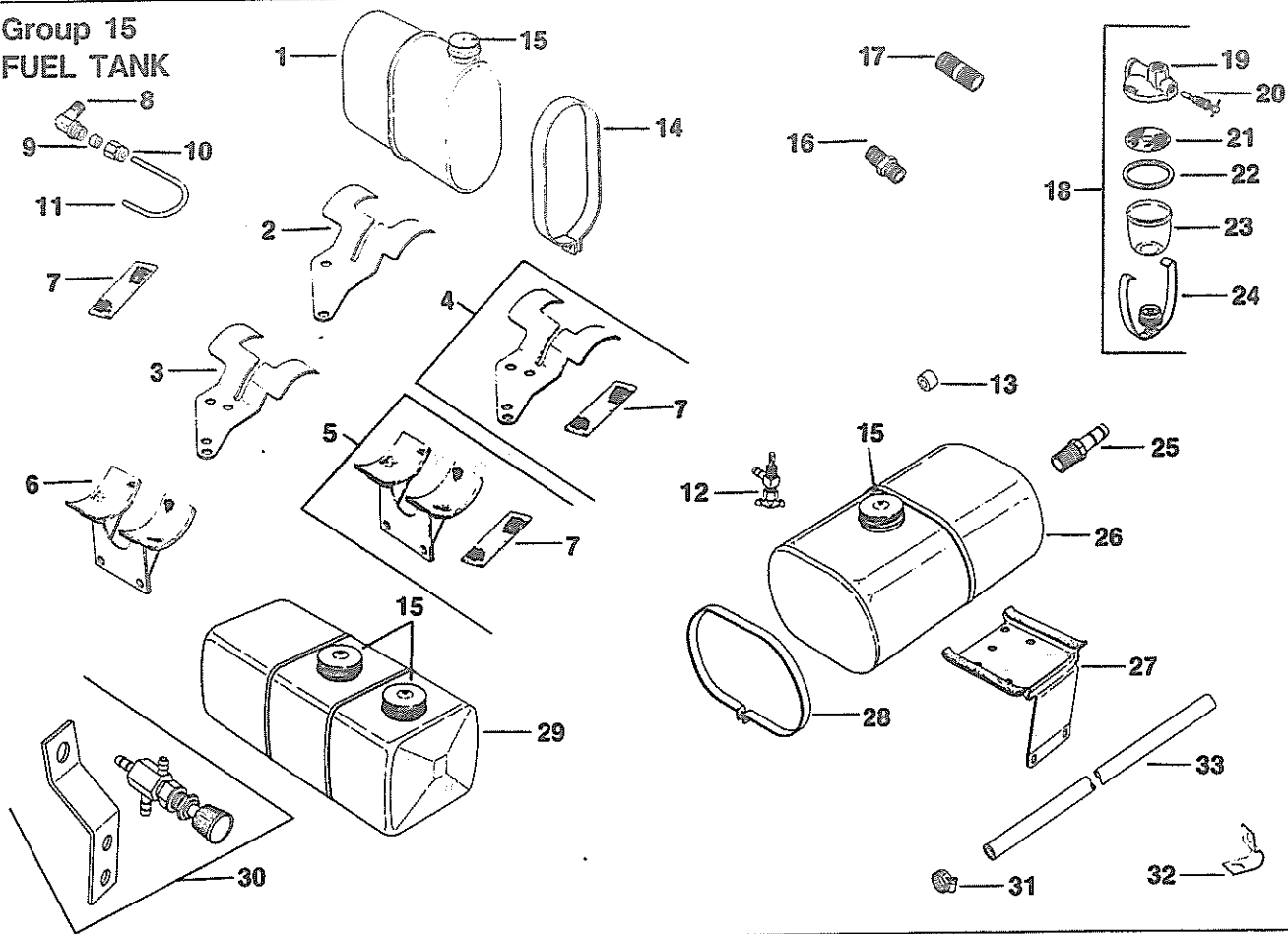


Index Number	Description Variation Number	Part Number	Index Number	Description Variation Number	Part Number
1	Pump, fuel (Without prime lever) 12,25,29,55	A-235845*	4	Pump, fuel assembly (Without prime lever) (Includes 6,7) 2,21,26,32,42,48,49,52,59,60,63, 65,70,74,75,81,84	47 559 04
1	Pump, fuel (Replaced by A-235845) 47	47 393 08	4	Pump, fuel assembly (With prime lever) (Includes 6,7) 5,6,33,43,51,53,56,57,67,76	47 559 01
2	Pump, fuel (With prime lever) 1,3,8,10,13,19,27,28,31,34,35	A-235807*	4	Pump, fuel assembly (With prime lever) (Includes 6,7) 73	47 559 05
3	Pump, fuel (Without prime lever) 9,45	A-236205	5	Gasket, fuel pump 45	277649
3	Pump, fuel (Without prime lever) (Use 47 559 08 after Serial No. 7216098) 15	A-236205*	6	Gasket, fuel pump (Replaced by 25 041 05) ALL (except 45)	47 041 04
3	Pump, fuel (Without prime lever) (Replaced by 47 559 08) 16	A-236380*	7	Washer, plain 1/4" (2) 48,49,50,51,52,53,56,57,59,60, 63,67,70,73,74,75,76,79,81,84	X-25-63
3	Pump, fuel (With prime lever) 46	47 393 04	8	Connector, 90° hose (1/4" I.D. hose) 1,3,5,8,10,12,15,21,25,27,28,29, 32,33,34,35,46,47,48,49,50,51,52, 53,57,58,59,60,63,67,70,73,74,75, 76,79,81,84,300	25 155 02
4	Pump, fuel assembly (Without prime lever) (Includes 6,7) 50,58,79	47 559 02			

Index Number	Description Variation Number	Part Number	Index Number	Description Variation Number	Part Number
8	Connector, 90° hose (2) (1/4" I.D. hose) 2, 6, 9, 13, 16, 19, 26, 42, 43, 45, 49, 51, 52, 55, 56, 59, 60, 63, 65, 74, 81, 84	25 155 02	18	Sleeve 12, 34, 35	220547
8	Elbow, inlet (Discontinued not available at Kohler Co.) 58	41 283 01	18	Sleeve (2) 31	220547
9	Screw, F.H.M. 1/4-20 x 3/4" (2) (Replaced by 47 086 08) 1, 2, 3, 4, 5, 6, 8, 9, 10, 12, 15, 16, 19, 21, 27, 28, 29, 31, 32, 33, 34, 35, 42, 43, 45, 46, 47, 48, 49, 50, 51, 52, 53, 55, 56, 57, 58, 59, 60, 63, 65, 67, 70, 73, 74, 75, 76, 79, 81, 84, 300	X-174-2	19	Elbow 1, 3, 10, 12, 27, 29, 31, 34, 35	231510
10	Connector, 90° hose (3/16" I.D. hose) (Use X-391-1 prior to Serial No. 5155716) 32, 33, 48, 53, 57, 67, 70, 75	X-391-11	20	Nipple 1/8 x 1" 3, 8, 19, 25, 27, 28, 29, 35	47 136 02
11	Connector, straight hose 47, 50, 73, 79	X-380-2	20	Nipple 300	X-217-6
12	Clamp, hose (2) 1, 2, 3, 5, 6, 7, 8, 9, 10, 12, 13, 15, 16, 19, 21, 25, 26, 27, 29, 31, 32, 34, 35, 42, 43, 45, 46, 48, 49, 51, 55, 57, 63, 65, 67, 70, 73, 74, 75, 76, 81	X-426-9	21	Elbow, street 1/8-90° 3, 8, 19, 25, 27, 28, 29, 35	48 283 03
12	Clamp, hose 47	X-426-9	22	Elbow, 90° (Discontinued not available at Kohler Co.) 25, 28	A-822
12	Clamp, hose (4) 79, 84	X-426-9	23	Cover, fuel pump 4, 300	240282
13	Line, rubber fuel (Replaced by 25 353 01) ALL (except 31, 47, 50, 55, 67, 73, 79, 84)	X-810-1	24	Line, fuel 79	25 353 02
13	Line, rubber fuel (Replaced by 25 353 04) 47, 50, 55, 67, 73, 79	X-810-6	25	Filter, fuel 79, 84	25 050 01
13	Line, rubber fuel 84	25 353 01	26	Line, fuel 84	25 353 10
14	Line, metal fuel 31	235097	NOT ILLUSTRATED		
15	Line, rubber fuel 20" 75	41 353 11		Washer, lock 1/4" (2) 13	X-22-11
16	Filter, fuel (Refer to Group 15 for assembly details) 3, 19, 25, 27, 28, 29, 35	A-210101		Washer, plain 1/4" (Discontinued not available at Kohler Co.) 13	X-25-60
17	Nut 12, 34, 35	220786		Screw, F.H.M. 1/4-20 x 5/8" (2) 13	X-174-2
17	Nut (2) 31	220786		Screw, H.C. sems 1/4-20 x 1" (2) 26	X-132-4
				Kit, fuel pump repair (Use only with pumps having letter "B" stamped on body.) (Includes diaphragm spring, valve assembly, valve gasket, pulsator diaphragm.) 1, 3, 8, 10, 12, 13, 19, 25, 27, 28, 29, 31, 34, 35, 55	230675
				Kit, fuel pump repair (Use only with pumps having letter "B" stamped on body.) (Includes diaphragm spring, valve assembly, valve gasket, pulsator diaphragm.) 9, 15, 16, 45	236387

K301

Group 15 FUEL TANK



Index Number	Description Variation Number	Part Number	Index Number	Description Variation Number	Part Number
1	Tank, fuel - 1.5 gallon (Includes cap) 1, 3, 9, 10, 11, 14, 15, 17, 21, 24, 26, 28, 29, 36, 37, 41, 42, 43, 44, 45, 48, 51, 57, 59, 65, 75, 76, 500, 502, 508, 512, 513, 514, 515, 516, 517, 518, 519, 521	235164	4	Bracket, upper tank assembly (Includes webbing) 34, 41, 43, 44, 45, 48, 49, 51, 56, 57, 59, 61, 65, 75, 76, 500, 508, 517, 518, 519, 520, 521	47 217 10
1	Tank, fuel - 1.5 gallon (Includes cap) 49, 51, 56, 61, 510, 520	47 065 02	5	Bracket, lower tank assembly (Includes webbing) 1, 3, 9, 10, 11, 14, 15, 21, 24, 26, 27, 28, 29, 36, 37, 41, 42, 44, 48, 51, 56, 59, 61, 63, 76, 500, 502, 508, 510, 512, 513, 514, 515, 516, 517, 518, 519, 520, 521	47 217 11
1	Tank, fuel - 2.8 gallon (Includes cap) 20, 25, 30	236684	6	Bracket, lower tank (Discontinued not available at Kohler Co.) 17, 20, 30, 512	237167
2	Bracket, upper tank (Discontinued not available at Kohler Co.) 1, 3, 9, 10, 11, 14, 15, 17, 21, 24, 26, 28, 29, 36, 37, 42, 502, 512, 513, 514, 515, 516	45 217 02	6	Bracket, lower tank (Discontinued not available at Kohler Co.) 25	237169
2	Bracket, upper tank (Discontinued not available at Kohler Co.) 20, 30	237166	6	Bracket, lower tank (Replaced by 47 217 11) 56, 59	47 066 02
2	Bracket, upper tank (Discontinued not available at Kohler Co.) 25	237170	7	Webbing, tank (2) 11, 14, 34, 41, 43, 44, 45, 48, 49, 51, 56, 57, 59, 61, 65, 75, 76, 500, 508, 517, 518, 519, 520, 521	X-295-35
3	Bracket, upper tank 34, 41, 43, 44, 45, 48, 49, 51, 56, 57, 59, 61, 65, 75, 76, 500, 508, 517, 518, 519, 520, 521	45 066 03			

Index Number	Description Variation Number	Part Number	Index Number	Description Variation Number	Part Number
7	Webbing, tank (2) 1,3,9,10,11,14,15,21,24,26,27,28, 29,36,37,41,42,44,51,56,59,61,63, 76,500,502,508,510,513,514,515, 516,517,520	X-295-25	17	Nipple 1/8" 3,20	47 136 02
7	Webbing, lower tank (2) (Discontinued not available at Kohler Co.) 20	X-295-17	17	Nipple 5,6,22	X-217-6
7	Webbing, lower tank (2) 502	X-295-25	18	Filter, fuel assembly (Includes 17 - 22) 3,5,6,20,22,501,506	A-210101
8	Elbow, compression 3,20	231510	19	Top, filter 3,5,6,20,22,501,506	210478
9	Sleeve (2) 1,3,5,6,9,10,14,15,17,20,21,37, 501,506,512,513,514,516	220547	20	Valve, needle 3,5,6,20,22,501,506	A-210480
10	Nut (2) 1,3,5,6,9,10,14,15,17,20,21,37, 501,506,512,513,514,516	220786	21	Screen, filter 3,5,6,20,22,501,506	210479
11	Line, copper fuel 22" 1,3,9,10,14,501,506	X-294-5	22	Gasket, filter 3,5,6,20,22,501,506	210468
11	Line, steel fuel 6" (Discontinued not available at Kohler Co.) 5,6	235372	23	Bowl, glass 3,5,6,20,22,501,506	210467
11	Line, copper fuel 27" (Discontinued not available at Kohler Co.) 15,17,21,37,512,513,514,516	X-294-16	24	Ball 3,5,6,20,22,501,506	A-210477
12	Valve, fuel (Use 47 462 01 after Serial No. 5155715) 1,9,10,11,14,17,25,26,28,29,30, 36,41,42,43,48,500,503,508	220764	25	Connector, straight 6,22	X-380-1
12	Valve, fuel (2) 54	220764	26	Tank, fuel 1.7 gallon (Includes cap) 5,503,504	235370
12	Valve, fuel 24,44,45,49,51,56,57,59,61,65,75, 76,507,508,509,518,519,520,521	47 462 01	26	Tank, fuel 2.0 gallon (Includes cap) 6,22,27,505	235935
13	Spacer (2) 44,51,61,76	X-400-89	27	Bracket, lower tank 5,54	236939
14	Strap (2) (Includes X-5-26 screw & X-101-8 nut) 1,3,9,10,11,14,15,17,21,24,26,28, 29,36,37,41,42,43,44,45,48,49,51, 56,57,59,61,65,75,76,500,502,508, 512,513,514,515,516,517,518,519, 520,521	237639	27	Bracket, lower tank 6,22,27,33,511	236943
14	Strap (2) (Includes X-5-26 screw & X-101-8 nut) 25,30	237640	27	Bracket, lower tank 505	237898
15	Cap, tank 1,3,6,9,10,11,14,15,17,20,21,22, 24,25,26,27,28,29,30,36,37,41,42, 43,44,45,48,57,59,65,75,76,500, 502,503,504,505,508,512,513,514, 515,516,517,518,519,521	236655	28	Strap, tank (2) (Includes X-776-1 screw & X-101-8 nut) 5,54,503,504	A-236938
15	Cap, tank 5,49,51,56,61,510,520	220956	28	Strap, tank (2) (Includes X-776-1 screw & X-101-8 nut) 6,22,27,505	A-236942
15	Cap, tank (2) 54	220853	29	Tank, fuel (Gas/Kerosene) (Includes cap) 54	41 065 01
16	Connector 5,15,17,21,37,501,506,512, 513,514	231509	30	Kit, three-way valve (Includes bracket) 54	46 462 02
			31	Clamp, hose (2) (Use X-426-9 on engines with Serial No. 5155716 thru 6173177. Engines built after Serial No. 6173177 do not require clamps.) 6,22,24,25,26,28,29,30,36,41,42, 43,44,45,48,49,51,54,500,508,515, 517,518	X-426-9
			32	Clip 11	X-414-2
			33	Line, rubber fuel 6-1/2" (Replaced by 25 353 04) 6,22	X-810-6
			33	Line, rubber fuel 20-1/2" 11	X-386-48

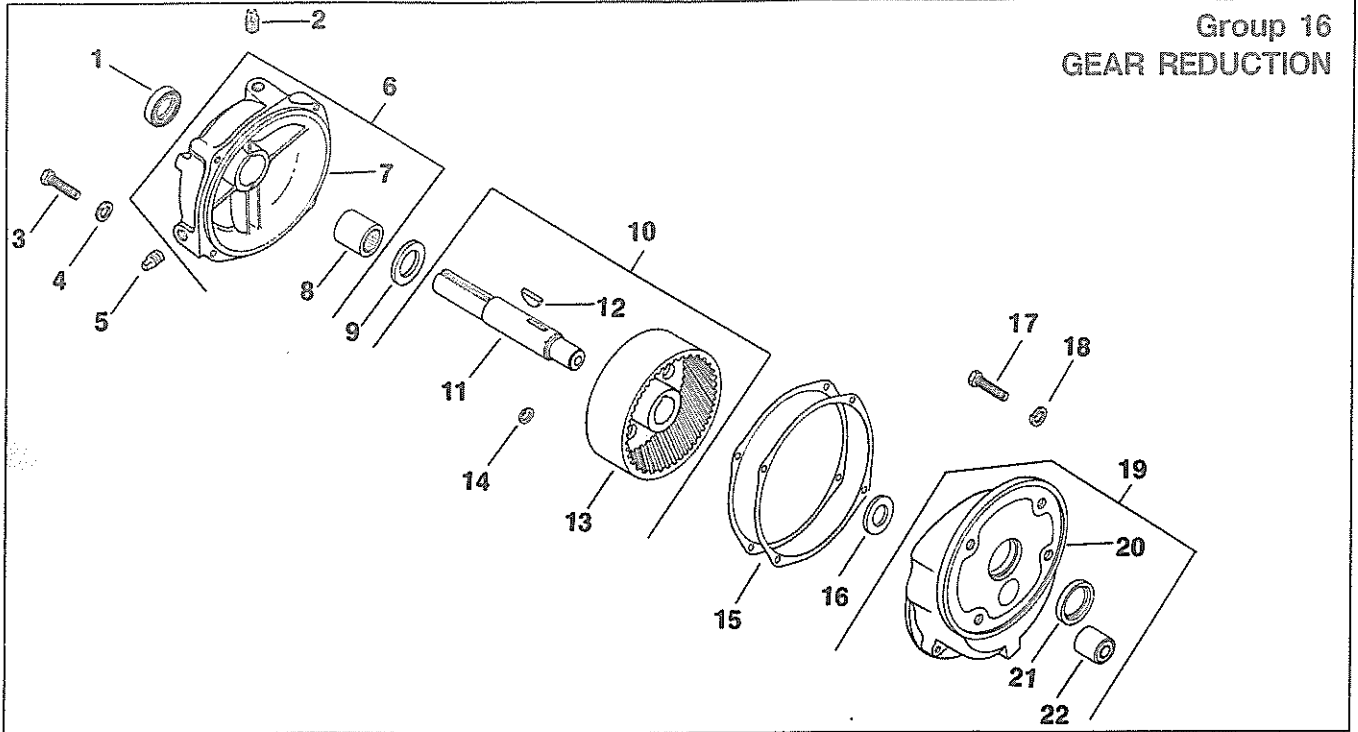
FUEL TANK

(Cont'd)

K301

Index Number	Description Variation Number	Part Number	Index Number	Description Variation Number	Part Number
33	Line, rubber fuel 20" (Replaced by 41 353 11) 24,25,26,28,29,36,41,42,43,44,45, 48,49,51,56,57,59,61,500,508,515, 517,518,519,520	X-811-1		Screw, H.C. 3/8-16 x 1-1/4" (2) 3,11,28,29,45,518	X-129-7
33	Line, rubber fuel 20" 75,76,521	41 353 11		Washer, lock 1/4" (2) 5,6,22,27,33,54	X-20-1
33	Line, rubber fuel 18" (Discontinued not available at Kohler Co.) 30	X-788-2		Washer, plain 1/4" (2) 5,6,22,27,33,54	X-25-72
33	Line, rubber fuel 10-1/2" 54	X-386-1		Nut, hex. 1/4-20 (2) 5,6,22,27,33,54	X-81-1
33	Line, rubber fuel 15" (Replaced by 25 353 01) 54	X-810-1		Screw, H.C. 1/4-20 x 1-1/2" (2) 14,28,29,37,45,502,516,518	X-5-26
33	Line, rubber fuel 6-1/4" (Replaced by 25 353 16) 54	X-810-18		Nut, hex. 1/4-20 (2) 14,28,29,37,45,502,516,518	X-101-8
NOT ILLUSTRATED				Screw, H.C. sems 3/8-16 x 1-1/4" (2) 20,25,30	X-159-3
	Screw, H.C. 3/8-16 x 1" (2) 1,9,24,26,48	X-7-1		Screw, H.C. sems 1/4-20 x 1/2" (2) 25	X-132-6
	Screw, H.C. 3/8-16 x 1/2" 11	X-7-23		Screw, H.C. sems 3/8-16 x 1-1/2" (2) 44,51,61,76,520	X-159-4
	Washer, lock 3/8" (2) 1,3,9,14,24,25,26,28,29,30,45,48, 518	X-22-1		Screw, H.C. sems 1/4-20 x 5/8" (2) 54	X-132-5
	Washer, lock 3/8" 11,20	X-22-1		Screw (4) (Discontinued not available at Kohler Co.) 501	X-153-2
				Screw 1/4-20 x 5/8" (4) 508,509	X-166-2
				Nut, lock 501,506	AC-1536

Group 16
GEAR REDUCTION



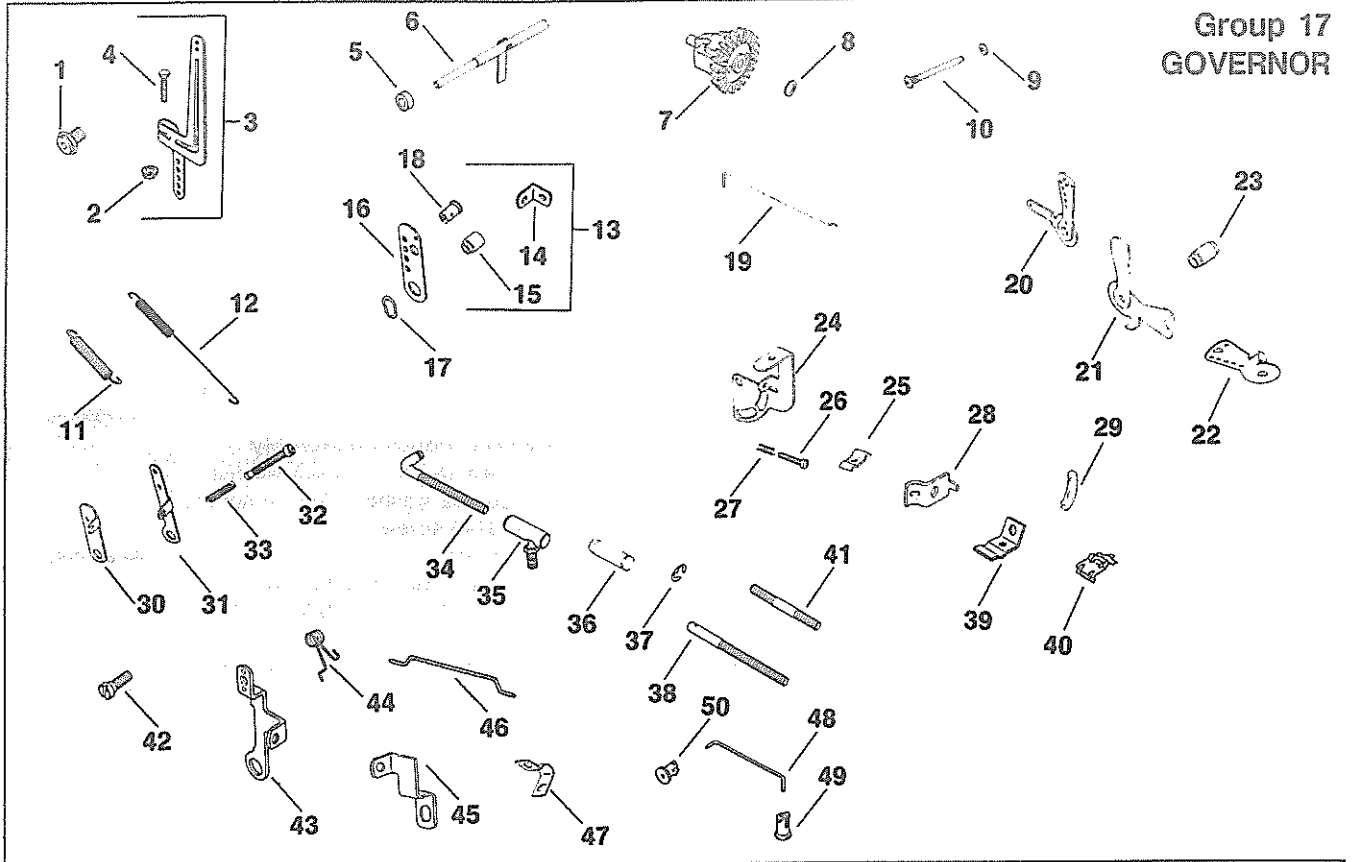
Index Number	Description Variation Number	Part Number	Index Number	Description Variation Number	Part Number
1	Seal, oil 1,2	X-379-7	13	Gear 2	235245
2	Plug, vent 1,2	41 139 01	14	Washer, copper 25/64 I.D. x 5/8 O.D. x 1/16" (2) 1	S-368
3	Screw, hex. hd. 5/16-18 x 1-1/2" (8) 1	41 086 02	14	Washer, plain 13/32 I.D. x 11/16 O.D. x 1/16" (2) 2	X-25-67
3	Screw, hex. hd. 5/16-18 x 2" (4) 2	X-6-29	15	Gasket .03125 1	235537
4	Washer, lock 5/16" (8) 1	X-21-1	15	Gasket .005 1	235538
4	Washer, lock 5/16" (4) 2	X-21-1	15	Gasket .015 (A.R.) (Discontinued not available at Kohler Co.) 1	236651
5	Plug, pipe 1/4" (2) 1	X-75-2	15	Gasket .020 (A.R.) 1	236652
5	Plug, pipe 1/4" 2	X-75-2	15	Gasket .020 (A.R.) 2	234498
6	Housing, cover assembly 2	A-237173	16	Washer, thrust 1,2	235248
7	Cover, reduction 1	235534	17	Screw, hex. hd. 3/8-16 x 1" (4) 1,2	270677
7	Cover, reduction 2	235244	18	Washer, lock 3/8" (2) 1,2	X-22-1
8	Bearing, needle 1,2	235250	19	Housing, gear assembly 2	A-237174
9	Washer, thrust 1,2	235247	20	Housing, gear (Discontinued not available at Kohler Co.) 1	235533
10	Shaft assembly 2	A-237172	20	Housing, gear 2	235243
11	Shaft, P.T.O. 1,2	235249	21	Seal, oil 1	235531
12	Key, woodruff #13 1,2	X-46-3			
13	Gear (Discontinued not available at Kohler Co.) 1	235535			

GEAR REDUCTION
(Cont'd)

K301

Index Number	Description Variation Number	Part Number	Index Number	Description Variation Number	Part Number
21	Seal, oil 2	47 032 06	23	Bearing, needle 2	235251
22	Bearing, needle 1	235532			

Group 17
GOVERNOR



Index Number	Description Variation Number	Part Number	Index Number	Description Variation Number	Part Number
	In some variations, the throttle rod assembly has been replaced by a governor linkage and bushings; choose parts accordingly.		3	Lever, governor assembly 44, 68	A-237444
1	Bushing 1, 2, 3, 5, 6, 7, 8, 10, 11, 12, 14, 15, 16, 17, 18, 20, 21, 22, 23, 24, 25, 26, 27, 28, 32, 33, 34, 37, 38, 41, 43, 44, 45, 46, 47, 51, 52, 53, 54, 55, 56, 58, 61, 67, 68, 70, 101, 124, 125, 126, 128, 129, 130, 131, 132, 133, 135, 138, 139, 300, 301, 302, 303, 304, 305, 306, 307, 308	235476	4	Screw, sltd. hd. sems 1/4-20 x 1-1/4" 1, 2, 3, 5, 6, 7, 8, 10, 11, 12, 14, 15, 16, 17, 20, 21, 22, 23, 24, 25, 26, 27, 28, 32, 33, 34, 41, 43, 44, 45, 46, 47, 51, 52, 53, 54, 55, 56, 58, 61, 67, 68, 70, 101, 124, 125, 130, 131, 135, 138, 139, 300, 301, 302, 303, 304, 307, 308	X-776-1
2	Palnut 1/4-20 1, 2, 3, 5, 6, 7, 8, 10, 11, 12, 14, 15, 16, 17, 20, 21, 22, 23, 24, 25, 26, 27, 28, 32, 33, 34, 41, 43, 44, 45, 46, 47, 51, 52, 53, 54, 56, 58, 61, 67, 68, 70, 101, 124, 125, 130, 131, 135, 138, 139, 300, 301, 302, 303, 304, 307, 308	X-799-1	5	Spacer 1/4" I.D., 3/8" O.D. (Use after Serial No. 3173783) 1, 2, 3, 5, 6, 7, 8, 10, 11, 12, 14, 15, 16, 17, 18, 20, 21, 22, 23, 24, 25, 26, 27, 28, 32, 33, 34, 37, 38, 41, 43, 44, 45, 46, 47, 51, 52, 53, 54, 55, 56, 58, 61, 67, 68, 70, 101, 124, 125, 126, 128, 130, 131, 132, 133, 135, 138, 139, 300, 301, 302, 303, 304, 305, 306, 307, 308	X-400-80
3	Lever, governor assembly (Includes 2, 4) 1, 2, 3, 5, 6, 7, 8, 10, 11, 12, 14, 15, 16, 17, 18, 20, 21, 22, 23, 24, 25, 26, 27, 28, 34, 37, 38, 41, 43, 46, 52, 54, 56, 58, 61, 67, 101, 125, 128, 129, 130, 131, 132, 133, 135, 138, 139, 300, 301, 302, 303, 304, 305, 306, 307, 308	A-237653	5	Spacer 3/8" I.D., 5/8" O.D. 307, 308	X-400-71
3	Lever, governor assembly 32, 33, 45, 47, 51, 53, 70, 124, 126	45 087 03	5	Spacer 1/4" I.D., 3/8" O.D. 61	X-384-2
			5	Spacer 1/4" I.D. X 3/8" O.D. (Use after Serial No. 1608300004 with 25 086 14 screw and 47 126 32 bracket) 3, 5, 11, 12, 15, 16, 37, 38, 44, 55, 67, 68, 129	25 431 01

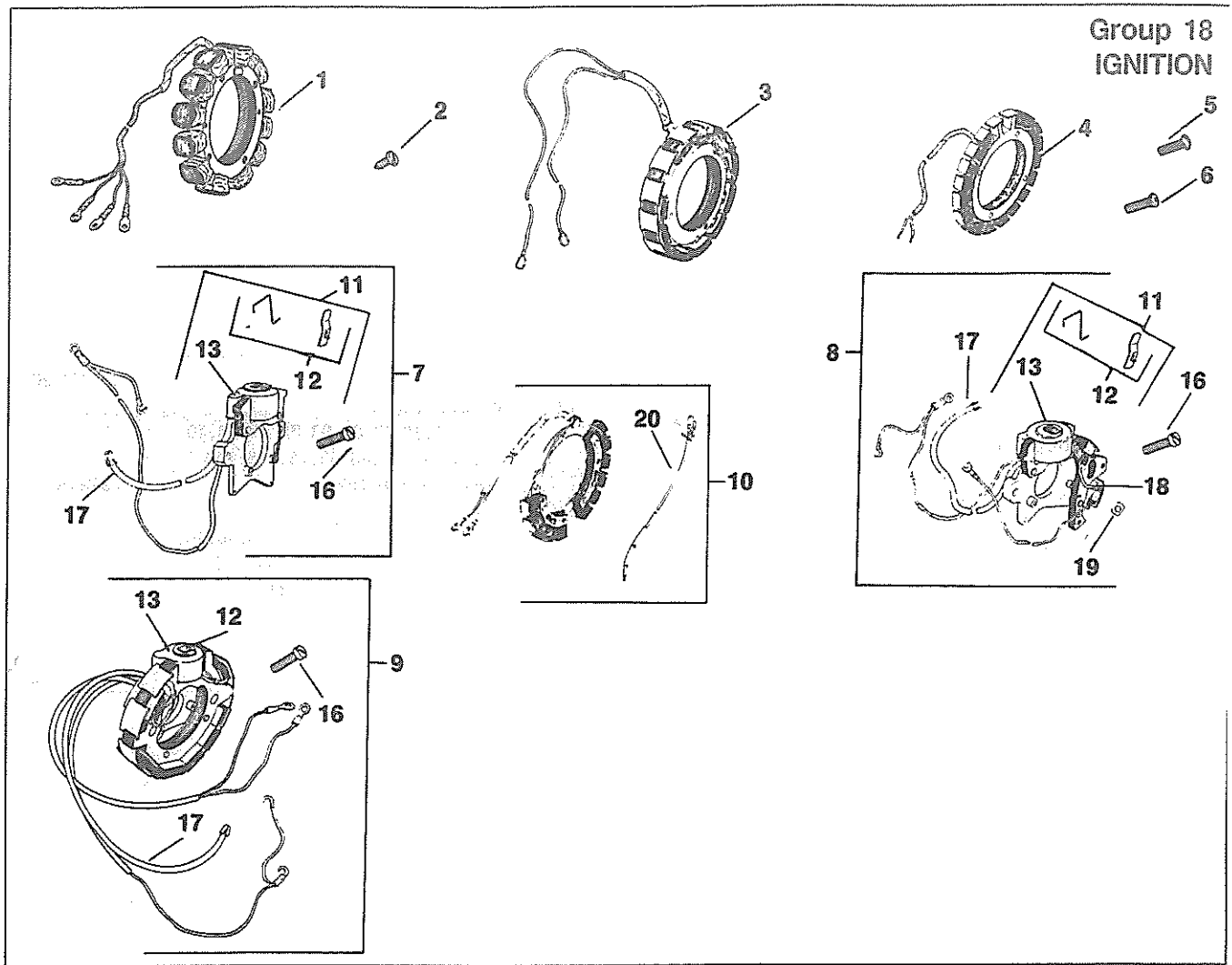
Index Number	Description Variation Number	Part Number	Index Number	Description Variation Number	Part Number
6	Kit, governor cross shaft (Includes X-400-80 spacer) 1,2,3,5,6,7,8,10,11,12,14,15,16, 17,18,20,21,22,23,24,25,26,27, 28,32,33,34,37,38,41,43,44,45, 46,47,51,52,53,54,55,56,58,61, 67,68,70,124,125,126,128,129,130, 131,132,133,135,138,139,300,301, 302,303,304,305,306,307,308	A-235256-S	12	Spring, governor 32,33,45,47,51,53,70,124,125, 126	47 091 01
7	Kit, governor gear (Includes 237022 thrust washer) 1,2,3,6,7,8,10,11,14,15,17,18, 20,21,22,23,24,25,26,27,28,32, 33,34,41,43,45,46,47,51,53,54, 58,70,101,124,125,126,128,129, 130,131,132,133,135,138,139, 301,302,303,304,305,306,307, 308	A-235743-S	12	Spring, governor 61	47 089 02
7	Kit, governor gear 5,12,16,37,38,44,52,61,67,68	A-236294-S	13	Bracket, control assembly (Includes 15-19, X-25-63 washer, X-25-102 washer, X-51-8 screw) 1,2,8,10,25,26,27,28,34,41,43, 54,58,128,130,131,132,133,138, 300,301,302,303,304,308	A-236895
8	Washer, thrust (Use with nylon gear) 1,2,3,5,6,7,8,10,11,12,14,15,16, 17,18,20,21,22,23,24,26,27,28, 32,33,34,37,38,41,43,44,45,46, 47,51,52,53,54,55,56,58,61,67, 68,70,101,124,125,126,128,129, 130,131,132,133,135,138,139, 300,301,302,303,304,305,306, 307,308	237022	13	Bracket, control assembly (Includes 15-19, X-25-63 washer, X-25-102 washer, X-51-8 screw, X-132-9 screw) 7,23,101,135	A-236947
9	Washer, plain 1/4" 1,3,5,7,11,12,14,15,21,24,25,27, 33,34,43,44,45,53,67,68,70,101, 124,125,126,128,129,130,131,132, 133,135,138,139,300,301,303,308	25 468 01	14	Bracket, adjusting screw 1,2,6,7,8,10,16,23,25,26,27,28, 34,37,38,41,43,54,58,61,101,128, 130,131,132,133,135,138,300,301, 302,303,304,308	235084
10	Pin, governor stop 1,2,3,5,6,7,8,10,11,12,14,15,16, 17,18,20,21,22,23,24,25,26,27, 28,32,33,34,37,38,41,43,44,45, 46,47,51,52,53,54,55,61,67,68, 70,101,124,125,126,128,129,130, 131,132,133,135,138,139,300, 301,302,303,304,305,306,307, 308	231355	14	Bracket, adjusting screw 3,5,11,12,15,16,37,38,44,55,67, 68,129 Before Serial No. 1608300014 use: After Serial No. 1608300004 use:	235084 47 126 32
11	Spring, governor 1,2,3,6,7,10,11,12,14,16,17,20, 21,22,23,25,26,27,28,34,38,41, 43,44,52,54,56,58,67,68,101, 128,129,130,131,132,133,135, 138,139,300,301,302,303,304, 305,307,308	235496	15	Spacer 1,2,6,7,8,10,22,23,25,26,27,28, 34,41,43,44,52,54,58,101,128, 130,131,132,133,135,138,300, 301,302,303,304,308	235085
11	Spring, governor 5,8,15,37,55	235495	15	Spacer 3,5,11,15,16,37,38,67,68,129	45 112 01
11	Spring, governor 61	45 091 01	15	Spacer 14,17,20,24,61,307	236415
11	Spring, governor 12,24,306	236261	16	Bracket, speed control 1,2,3,5,6,8,10,11,15,16,22,25,26, 27,28,34,37,38,41,43,44,52,54,58, 67,68,128,129,130,131,132,133, 138,300,301,302,303,304,308	235086
11	Spring, governor 28	152631	16	Bracket, speed control 7,23,101,135	236249
11	Spring, governor 55	230117	17	Washer, wave 1,2,3,5,6,7,8,10,11,14,15,16,17, 20,22,23,24,25,26,27,28,34,37, 38,41,43,44,45,54,67,68,101, 126,128,129,130,131,132,133, 135,138,302,304,307,308	275690
			17	Washer, wave (2) 32,33,47,51,53,70,124,125	275690
			17	Washer, wave 61	47 468 06
			18	Kit, clamp (Includes X-51-8 screw & X-25-102 washer) 1,7,8,10,23,25,26,27,33,34,41, 51,54,70,101,124,128,131,132, 135,300,301,303	48 755 10
			19	Linkage, choke 32,33,47,51,53,70,124,125	47 079 01
			20	Lever, choke control 32,45,47,51	47 090 07

Index Number	Description Variation Number	Part Number	Index Number	Description Variation Number	Part Number
20	Lever, choke control 33,47,51,53,70,124,125	47 090 06	35	Ball joint (2) 14	237130
21	Lever, throttle control 32,47,51	47 090 08	36	Ball joint 32,33,34,45,47,51,53,55,70,300	45 208 03
21	Lever, throttle control 45,126	47 090 09	37	Retainer, rod 1,2,3,5,6,7,8,10,11,12,15,16, 17,18,21,22,23,24,25,26,27,28, 32,33,34,37,38,41,43,44,45,46, 47,51,52,53,54,55,56,58,67,68, 70,129,300,301,302,303,304,305, 306,307,308	235278
22	Lever, throttle control 33	47 090 04	38	Rod, speed control 12,61	236258
22	Lever, throttle control 47,51,53,70,124,125	47 090 10	39	Bracket, throttle (Includes 40) 10,23,25,26,54,58,101,131,133, 300	A-237559
23	Spacer 32,33,45,47,51,53,70,124,125	47 112 02	40	Clip 10,23,25,26,54,55,58,101,131, 300,304	235603
23	Spacer 45,126	47 112 03	41	Rod, throttle 16,20,37,38,44	235078
24	Bracket, choke 47,51,70,124,125	47 126 09	42	Screw, adjusting bracket 3,5,11,12,15,16,37,38,44,55,67, 68,129	235477 25 086 14
24	Bracket, choke 45,126	47 126 12	43	Lever, adj. screw 61	47 087 17
24	Bracket, choke 45,126	47 126 13	44	Spring, speed control 61	47 089 03
24	Bracket, choke 46,56	47 126 14	45	Bracket, throttle rod adj. 61	47 126 17
25	Clamp, swivel 32,33,47,51,70,124,125	47 237 02	46	Linkage, speed control 61	47 354 01
26	Screw, adjusting 32,33,45,47,51,65	232556	47	Clip 301,302,303	210149
26	Screw, adjusting 61	47 086 10	48	Linkage, governor 5,11,12,14,61,68,101,128,129, 132,133,135,138,139	47 079 11*
27	Spring 32,33,45,47,51,65,70,124, 125,126	232555	48	Linkage, governor 124,125,126	47 079 05*
27	Spring 61	200383	49	Bushing (White) 5,11,12,14,61,68,101,124,125, 126,128,129,130,131,132,133, 135,138,139	47 158 07
28	Clamp (2) 45,126	235778	50	Bushing (Black) 5,11,12,14,61,68,101,124,125, 126,128,129,130,131,132,133, 135,138,139	25 158 09
29	Damper, spring (Discontinued not available at Kohler Co.) 37,38,55	45 263 01			
30	Bracket, speed control 14,17,20,24,61,307	236413			
31	Lever, adjusting screw 14,17,24,307	237833			
31	Lever, adjusting screw 20	237069			
32	Screw, adjusting 14,17,20,24,307	237574			
33	Spring 14,17,20,24,307	237573			
34	Rod, ball joint 1,2,3,5,7,8,10,11,15,16,17,18, 21,22,23,24,25,26,27,28,32,33, 34,37,38,41,45,47,51,53,55,67, 68,70,129,300,301,302,303,304, 305,306,307	235277			
35	Ball joint 1,2,3,6,7,8,10,15,17,18,20,21, 22,23,24,25,26,27,28,37,38,41, 44,300,301,302,303,304,305, 306,307	237130			

*When replacing a throttle rod assembly with a governor linkage, also order one each of bushings 47 158 07 and 25 158 09.

Index Number	Description Variation Number	Part Number	Index Number	Description Variation Number	Part Number
NOT ILLUSTRATED			Washer, plain 1/4"		
	Screw, sltd. pan. hd. 8-32 x 1/4"			1,2,3,5,7,8,10,11,14,15,16,17,20,	
	1,7,8,10,23,25,26,33,34,41,43,			22,23,24,25,26,27,32,33,34,41,44,	
	51,54,101,124,128,131,132,133,			45,47,51,52,53,54,55,58,67,68,70,	
	135,300,301,303	X-51-8		124,125,126,128,129,130,132,135,	
	Screw, H.C. sems 1/4-20 x 1/2"			138,300,301,302,303,304,307,308	X-25-63
	25,33,45,47,51,70,101,124,125,			Washer, plain 1/4"	
	131,133,300	X-132-6		1,7,8,10,23,25,26,27,33,34,41,	
	Screw, H.C. sems 1/4-20 x 1/2"			43,51,54,101,124,128,131,132,	
	53,126,133	X-132-6		133,135,300,301,303	X-25-102
	Screw, H.C. sems 1/4-20 x 1-1/4"			Washer, plain 1/4"	
	1,2,3,5,7,8,10,11,14,15,16,17,			6,16,52,55	X-25-12
	20,23,24,25,26,27,34,41,44,45,			Washer, plain 1/4"	
	54,55,58,67,68,101,126,128,129,			6,32,33,45,47,51,55,70,124,125	X-25-72
	130,131,132,133,135,138,300,301,			Washer, plain copper 1/2"	
	302,303,304,307,308	X-132-9		9	X-25-27
	Screw, H.C. 1/4-20 x 1/2"			Washer, lock 1/4"	
	9	X-5-13		32,33,46,47,51,53,56,61,70,124,	
	Screw, H.C. 1/2-13 x 1/2"			125	X-20-1
	9	X-9-21		Washer, plain 3/16"	
	Screw, H.C. sems 1/4-20 x 1"			32,33,47,51,70,124,125	25 468 04
	22	X-132-4		Washer, plain 3/8"	
	Screw, H.C. sems 1/4-20 x 3/8"			33,47,51,53,70,124,125	X-25-82
	32	X-132-1		Washer, plain 1/4" (2)	
	Screw, H.C. sems 1/4-20 x 1-1/2"			43,101,131	X-25-63
	32,33,47,51,53,70,124,125	X-5-26		Washer, plain 1/4" (2)	
	Screw, hex. wash. hd. 10-24 x 3/4"			53,126	X-25-72
	32,33,47,51,70,124,125	X-67-51		Washer, I.T. 1/4" (2)	
	Screw, H.C. sems 1/4-20 x 1-1/4" (2)			61	X-22-11
	43	X-132-9		Washer, lock #8	
	Screw, fil. hd. 10-24 x 1/2" (2)			301	X-18-2
	45,126	X-15-5		Washer, plain 1/4"	
	Screw, sltd. pan hd. 8-32 x 3/8"			61	X-25-52
	301	X-51-12		Nut, hex. 1/4-20	
	Screw, H.C. sems 1/4-20 x 1"			32,33,47,51,53,124,125	X-76-2
	52	X-132-4		Nut, hex. 8-32	
	Screw, sltd. F.H. 10-24 x 3/8"			32,33,45,47,51,70,124,125,126	X-72-4
	10,23,25,26,58,300	X-131-1		Nut, hex. 1/4-20	
	Screw, hex. 1/4-20 x 1/2"			46,55,56,61	X-81-1
	61	25 086 14		Nut, hex. 10-32	
	Screw, H.C. 1/4-20 x 1-3/4"			2,3,8,10,15,18,32,33,45,47,	
	61	X-5-21		51,53,67,70,302,304,305,306	X-70-3
	Washer, lock #10			Nut, hex. 10-32 (2)	
	2,8,10,16,18,20,26,41,44,302,			5,11,12,26,41,44,55,68	X-70-3
	304,305,306	X-19-1		Nut, hex. 10-32 (5)	
	Washer, lock #10 (2)			22	X-70-3
	22,45,126	X-19-1		Nut, hex. 10-32 (4)	
	Washer, plain #10			16,20,44	X-70-3
	2,8,9,10,17,18,20,22,23,26,28,			Nut, hex. lock 10-32	
	32,41,46,47,51,54,56,58,129,			61	X-101-12
	302,304,305,306,307	X-25-55			

K301

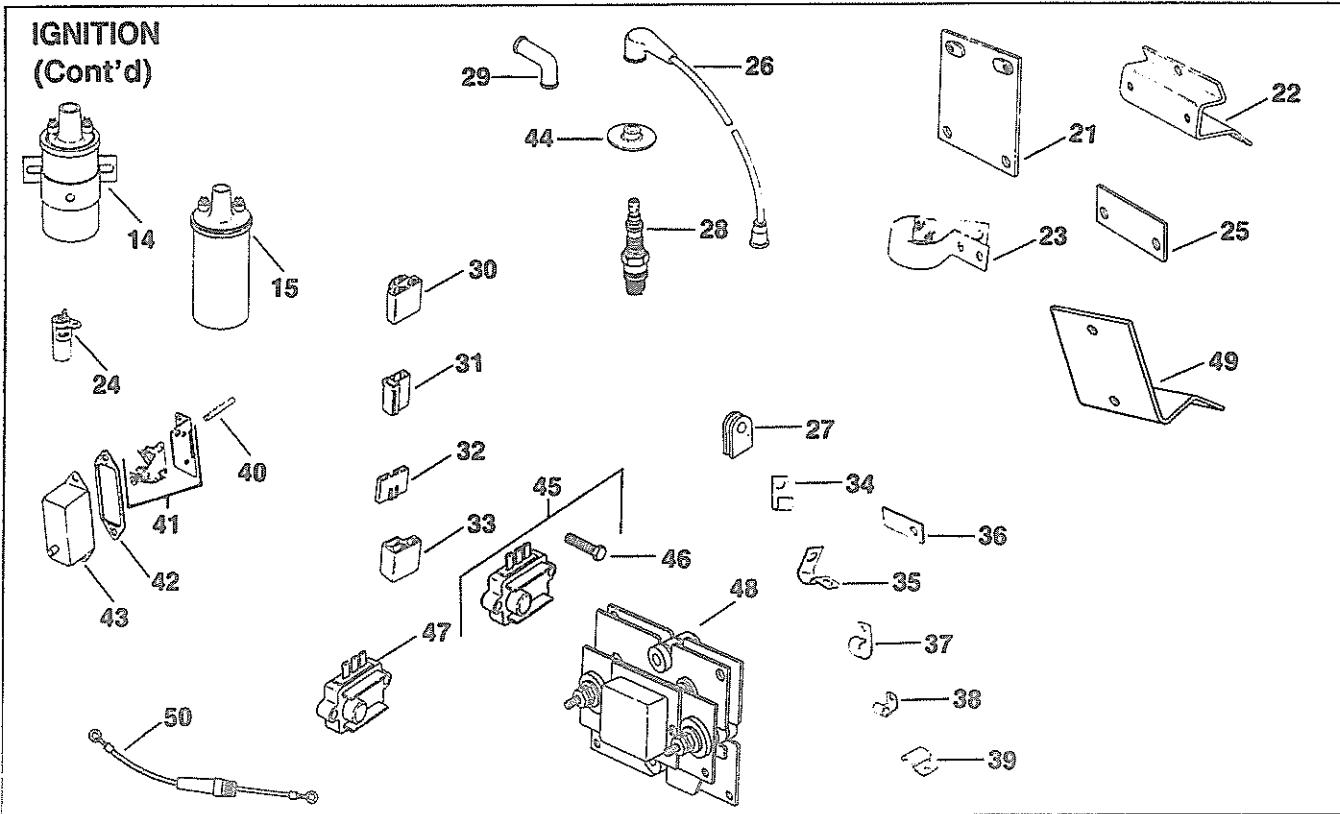


Index Number	Description Variation Number	Part Number	Index Number	Description Variation Number	Part Number
BREAKER IGNITION			5	Screw, F.H. sems 10-24 x 3/8" (4) 1,2,3,5,6,7,8,12,15,16,18,21,26, 27,29,32,33,34,35,36,38,40,41, 44,45,47,48,57,59,72,75,78,86, 90,92,100,101,105,106,108,109, 110,111,112,113,114,115,118, 119,120,121,122,126,127,128, 130,131,133,135,141,143,144, 148,150,151,153,155,157,158, 159,161,167,168,171,173,178, 179,180,181,182,184,186,197, 204,206,207,208,500,501,502, 503,504,505,506,507,510,513, 514,515,517,519,520,521,522, 523,524,537	X-131-1
1	Stator 30 amp. 57,120,121,155,170,501,502, 519	277063	5	Screw, F.H.M. 10-24 x 3/8" 193	X-131-1
2	Screw, hex. wash. hd. 10-24 x 1" (4) 155,170,502	25 086 29	5	Screw, F.H.M. 10-24 x 3/8" (7) 196	X-131-1
3	Stator 10 amp. 72	237065			
4	Stator 15 amp. 75,86,90,92,100,101,105,106,108, 109,111,112,113,115,119,122,126, 127,128,130,131,141,143,148,150, 151,152,153,158,161,168,173,179, 180,181,184,193,197,204,206,207, 208,503,504,505,506,507,513,514, 515,520,521,522,523,524,525,526, 527,528,529,530,531,532,533,534, 535,536,537	237878			

IGNITION
(Cont'd)

K301

Index Number	Description Variation Number	Part Number	Index Number	Description Variation Number	Part Number
6	Screw, P.H. 10-24 x 3/4" (4) 86,101,105,106,108,109,111,113, 115,122,130,131,141,148,151,153, 158,161,181,184,193,197,206,506, 514,515,521,522,523,524,527,530, 532,533,535,536,537	X-778-1	9	Stator, magneto alternator - assembly (Includes 18) 10 amp. 32,33,38,41,44,45,48,510,517	237876
7	Stator, magneto - assembly (Includes 11-13,16,17) 1,27,35,50,60,78,144,167,178	A-235741	10	Stator, assembly (Includes 20) w/diode 186,196	45 085 02
7	Stator, magneto - assembly (Includes 11-13,16,17) w/exciter (Impulse coil) 26,36,157,182	47 085 05	11	Kit, coil (Includes 12,13) 1,8,18,26,27,32,33,35,36,38,40, 41,44,45,47,48,50,60,78,118,144, 157,167,178,182	47 755 20
7	Stator, magneto - assembly (Includes 11-13,16,17) (Use 47 085 05 on engine spec suffix "D") 118	A-235741	12	Kit, coil clip 1,8,18,26,27,32,33,35,36,38,40, 41,44,45,47,48,60,78,118,144, 157,167,178,182	237919
8	Stator, magneto alternator - assembly (Includes 11-13,16-19) 3 amp. lighting 8,18	A-232808	13	Coil 1,8,18,26,27,32,33,35,36,38,40, 41,44,45,47,48,60,78,84,118, 144,157,167,178,182,501	47 145 02
8	Stator, magneto alternator - assembly (Includes 11-13,16,17,18) 3 amp. lighting 47	A-236803			

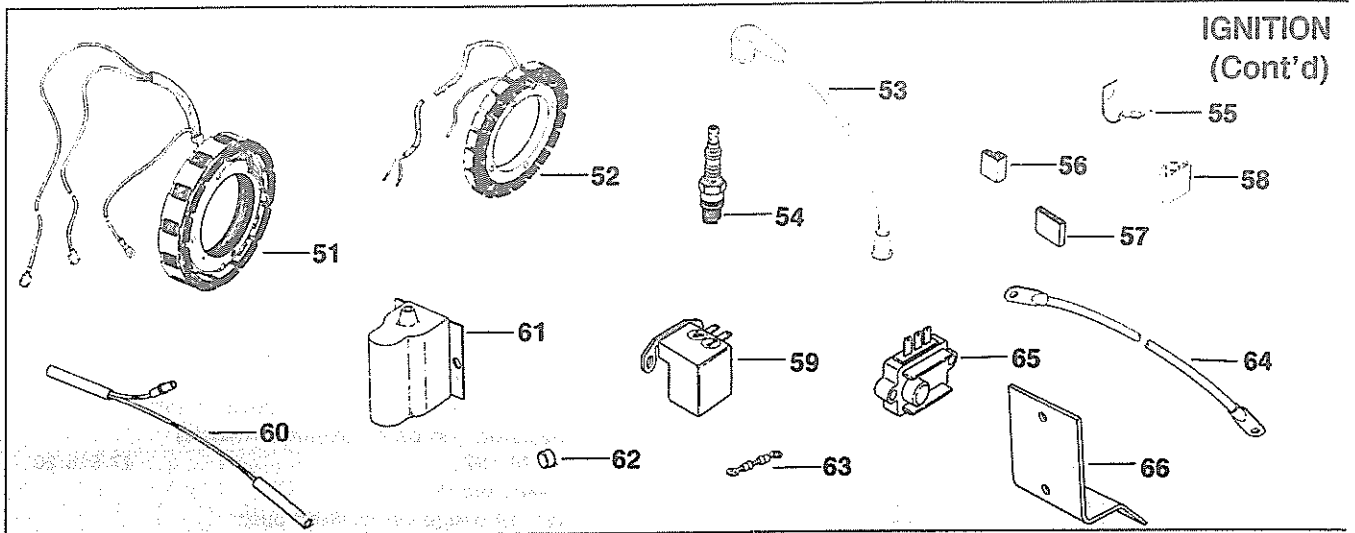


Index Number	Description Variation Number	Part Number	Index Number	Description Variation Number	Part Number
14	Coil, ignition - 12 volt 2,3,5,6,7,12,15,16,21,29,34,57, 72,75,86,90,92,100,101,105,106, 108,109,110,111,112,113,114,115, 116,119,120,121,122,126,127,128, 130,131,133,141,143,148,150,151, 152,153,155,158,159,161,168,170, 173,179,180,181,184,186,193,196, 197,204,206,207,208,500,501,503, 504,505,506,507,513,514,515,519, 520,521,522,523,524,525,526,527, 528,529,530,531,532,533,534,535, 536,537	231281	25	Backplate, coil (Use after Serial No. 715999) 161	234323
15	Coil, ignition - 12 volt (Replaced by 231281) 105,148,189	47 145 01	26	Kit, high tension lead 3,5,12,15,16,21,34,49,57,83,90, 92,100,101,106,108,109,111,112, 113,114,115,116,119,120,121,127, 128,130,133,141,143,148,150,151, 152,153,155,158,159,161,168,170, 173,179,180,181,184,186,193,196, 197,204,206,207,208,500,501,502, 503,504,505,506,513,514,515,519, 520,521,522,523,524,525,526,527, 528,529,530,531,532,533,534,535, 536,537	238057
16	Screw 1,8,18,26,27,32,33,35,36,38,40, 41,44,45,47,48,50,60,78,118,144, 157,167,178,182	234423	27	Grommet 8,18,26,32,33,36,38,40,41,44,45, 47,48,60,78,90,92,100,106,112, 114,116,118,119,127,128,141,143, 144,150,155,168,170,173,179,180, 197,204,207,208,502,503,504,505, 506,507,510,513,514,515,516,517, 519,520,521,522,523,524,525,526, 527,528,529,530,531,532,533,534, 535,536	220297
17	Cable, high tension 1,8,18,26,27,32,33,35,36,38,40, 41,44,45,47,48,50,60,78,118,144, 157,167,178,182	234424	28	Plug, spark 1,2,3,5,6,7,8,12,15,16,18,26,27, 32,33,34,35,36,38,40,44,45,47, 48,57,60,72,75,78,86,90,92,100, 101,105,106,108,109,111,112,113, 114,115,116,118,119,120,121,122, 126,127,128,130,131,135,141,143, 144,148,150,151,152,153,155,157, 158,159,161,167,168,170,173,178, 179,180,182,184,186,193,196,197, 206,207,208,500,501,502,503,504, 505,537	235041-S
18	Coil, generator 8,18,47	232898	28	Plug, spark 21,41,110	235976-S
19	Clip, generator coil 8,18	232899	28	Plug, spark 29,133	235710-S
20	Kit, diode 186,196	51 755 01	28	Plug, spark 181,204	41 132 02
21	Bracket, coil mounting (Discontinued not available at Kohler Co.) 6	235888	29	Boot, spark plug 1,8,18,26,27,32,33,35,36,38,40, 41,44,45,47,48,60,78,118,144, 157,167,178,182,516,517	220791
22	Bracket, coil mounting (Discontinued not available at Kohler Co.) 7	235563	30	Connector 33,34,44,186,196	236473
23	Bracket, coil mounting (Replaced by 47 126 20) 105	237253	30	Connector 72,86,105,122	237088
23	Bracket, coil mounting (Replaced by 47 126 20) 148,189	47 217 07	31	Connector 128,143,148,153,161,168,173,184, 207,208,503,504,530,531,532,534	48 155 02
24	Condenser 1,8,18,26,27,32,33,35,36,38,40, 41,44,45,47,48,60,78,105,118, 144,157,167,178,182,517	47 147 01	32	Connector 32,45,66,82,83,143,144,153,161, 173,184,204,208,216,238,503,506, 510,511,512,516,522,523,524,525, 528,529,530,531	236602
24	Condenser 2,3,5,6,7,12,15,16,21,29,34,57, 72,75,86,90,92,100,101,106,108, 109,110,111,112,113,114,115,116, 119,120,121,122,126,127,128,130, 131,133,141,143,148,150,151,153, 155,158,159,161,168,170,173,179, 180,181,184,186,189,193,196,197, 204,206,207,208,500,501,502,503, 504,505,506,507,513,515,519,520, 521,522,523,524,525,526,527,528, 529,530,531,532,533,534,535,536, 537	230722			
25	Backplate, coil 34,92,133,143,153,173,181,204, 208,503,530,531	234323			

IGNITION
(Cont'd)

K301

Index Number	Description Variation Number	Part Number	Index Number	Description Variation Number	Part Number
33	Connector 75,92,101,111,112,113,119,126, 130,131,141,150,151,158,181,505, 507,508,513,514,515,520,521, 526,527,535,536,537	237429	37	Clip 143,173,186,207,208,503,504,531, 534	48 154 01
34	Clip 1,2,3,5,6,7,8,12,15,16,18,21,26, 27,29,32,34,35,36,38,40,41,44, 45,47,48,60,72,75,78,86,90,92, 100,101,106,108,109,110,111, 112,113,114,115,116,118,119, 120,122,126,127,128,130,131, 133,134,135,141,143,144,148, 150,151,153,155,157,158,159, 161,167,168,170,173,178,179, 180,181,182,184,186,193,196, 197,204,206,207,208,500,501, 502,503,504,505,510,513,514, 515,517,519,520,521,522,523, 524,525,526,527,528,529,530, 531,532,533,534,535,536,537	275303	37	Clip (Plastic coated) 186	45 154 02
34	Clip (Discontinued not available at Kohler Co.) 32,33,38,41,44,45,47,48,67,510, 517	236450	38	Clip 114	237601
34	Clip (Use 234531 clip on engine spec suffix "D") 118	275303	39	Clip 26,120,121,155,157,170,501,502, 519	234531
35	Clip 1/2" wide (Replaced by 210281) 1,3,4,6,7,8,12,16,18,26,27,29,32, 35,36,38,40,41,45,47,48,60,78, 118,144,157,167,178,182,510,517	275183	40	Rod, breaker ALL (except 8,18,32,33,38,41,44, 45,47,48,86)	47 411 04
35	Clip 7/16" wide 1,18,27,35,36,40,60,72,75,78,86, 90,92,100,101,105,106,108,109, 111,112,113,115,119,122,126,127, 128,130,131,141,143,144,148,150, 151,153,158,161,167,168,170,178, 179,180,181,182,184,186,193,196, 197,204,206,207,208,503,504,505, 506,507,513,514,515,520,521,522, 523,524,525,526,527,528,529,531, 532,533,534,535,536,537	X-728-1	40	Rod, breaker 8,12,32,33,38,41,44,45,47,48,86, 510,517	46 411 01
35	Clip 7/16" wide (Use 275303 clip on engine spec suffix "D") 118	X-728-1	41	Breaker - assembly ALL	47 150 03
36	Clip (Discontinued not available at Kohler Co.) 8,18,32,38,41,45,47	232510	42	Gasket, cover ALL	52 041 11
37	Clip 105,112,121,126,151,155,170,502	234511	43	Cover, breaker ALL (Except 18,27,38,40,118,157, 178)	232535
37	Clip (Plastic coated) 33,120,148,153,161,173,184,501, 506,519,530	47 154 01	43	Cover, breaker 18,27,38,40,118,157,178	A-220136
			44	Grommet, spark plug 143,148,153,161,173,208,503, 530,531	47 313 01
			45	Kit, rectifier-regulator 15 amp. (Includes 46) 143,161,204,208,216,238,506, 522,523,524,525,528,529,530, 531,532,533,534	25 755 03
			46	Screw, H.C. 1/4-20 x 5/8" (2) 143,161,204,208,216,238,506, 522,523,524,525,528,529,530, 531,532,533,534	X-132-5
			47	Rectifier-regulator 15 amp. 75,92,100,101,112,119,122,130, 131,152,181,505,515,520,521, 526,527	41 403 06
			47	Recifier-regulator 10 amp. 32,45,508,509,510,514,517,537	41 403 08
			48	Rectifier-regulator 30 amp. 57,121,170,501,502,519	277064
			49	Bracket, regulator-rectifier 100,119,152,505,507,508,510, 513,514,515,526,527	47 126 01
			50	Fuseholder (Discontinued not available at Kohler Co.) 522	47 323 01



IGNITION
(Cont'd)

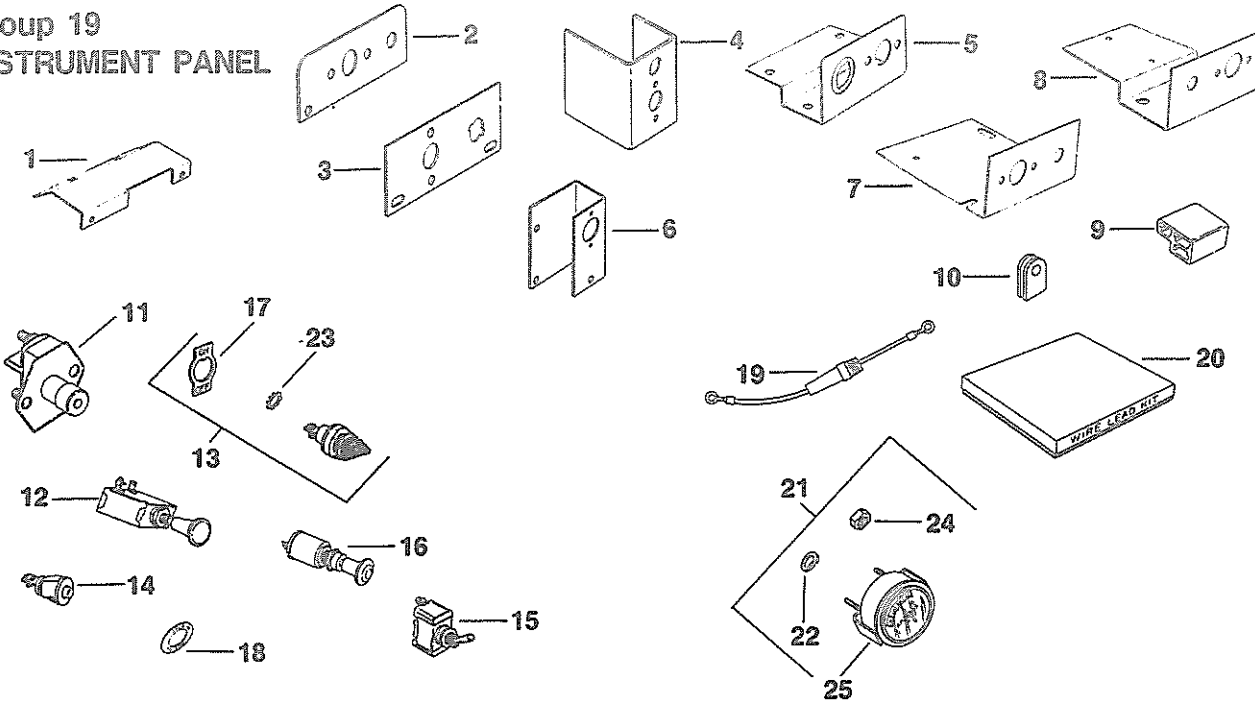
Index Number	Description Variation Number	Part Number	Index Number	Description Variation Number	Part Number
BREAKERLESS IGNITION			60	Lead, trigger 49,53,58,64,74,80,83,93,97,102, 508,509,511,516,518	236814
51	Kit, stator 10 amp. 49,53,58,61,62,64,66,67,74,80,82,83, 88,89,103,509,511,512,516,518	237877	60	Lead, trigger (Discontinued not available at Kohler Co.) 62,88,89,95,99	237105
52	Kit, stator 15 amp. 74,91,93,94,95,97,99,102,104	237879	60	Lead, trigger 66,67,82,94	237125
53	Kit, high tension lead 49,53,58,61,62,64,66,67,74,80, 82,83,88,89,91,93,94,95,97,99, 102,103,104,508,509,511,512, 516,518	238057	60	Lead, trigger 104	237058
54	Plug, spark 49,53,58,61,62,66,67,74,80,82, 83,88,89,91,93,94,95,99,102, 103,104,508,509,511,512,516,518	235041-S	61	Coil, ignition 49,53,58,61,62,64,66,67,74,80,82, 83,88,89,91,93,94,95,97,99,102, 103,104,508,509,511,512,516,518	236826
54	Plug, spark 64,97	235976-S	62	Plug, cap 49,53,58,61,62,64,66,67,74,80,82, 83,88,89,91,93,94,95,97,99,102, 103,104,508,509,511,512,516,518	X-702-1
55	Clip (Discontinued not available at Kohler Co.) 67	236450	63	Resistor 1/2 watt-22 ohm 49,53,58,61,62,64,66,67,74,80, 82,83,88,89,91,93,94,95,97,99, 102,103,104	237327
55	Clip 7/16" wide 49,53,58,61,62,64,66,74,80,82,83, 88,89,91,93,94,95,97,99,102,103, 104,508,509,511,516,518	X-728-1	64	Cable, battery (Discontinued not available at Kohler Co.) 94	236732
55	Clip 1/2" wide (Replaced by 210281) 62	275183	65	Rectifier-regulator 15 amp. 93,95,97,99,104,512	41 403 06
56	Connector 93,94,95,97,102	237429	65	Rectifier-regulator 10 amp. 61,62,64,82,83,88,89,103,509 511,512,516,518	41 403 08
57	Connector 88,89,508,509,512	236602	66	Bracket, rectifier-regulator 83,511,512	47 126 01
58	Connector 61,91,103,104	236473			
59	Trigger 49,53,58,61,62,64,66,67,74,80,82, 83,88,89,91,93,94,95,97,99,102, 103,104,508,509,511,512,516,518	A-237339			

Index Number	Description Variation Number	Part Number	Index Number	Description Variation Number	Part Number
NOT ILLUSTRATED			Lead, black		
(Applies to breaker and breakerless)			(7"-14 gauge-uninsulated push on tab terminals)		
	Lead, breaker			207,208,504	47 518 13
	119,143,153,504	47 125 01		Lead, black	
	Lead, breaker			(8"-14 gauge-uninsulated push on tab terminals)	
	(Discontinued not available at Kohler Co.)			143,153,503,530	47 518 19
	5	238054		Lead, black	
	Lead, breaker			(11"-14 gauge-uninsulated push on tab-insulated grip barrel eyelet terminals)	
	2,29,34,72,75,86,92,101,110,111,112,133,152,206,535,536	A-237418		196,197	47 518 20
	Lead, breaker			Lead, black	
	3,7,15,16,90,100,106,108,109,113,120,126,130,150,151,155,159,168,170,179,193,197,204,207,501,502,505,507,513,514,515,519,520,521,522,523,524,528,529,533,534	A-231533		12"-14 gauge-uninsulated push on tab terminals)	
	Lead, breaker			532,533	47 518 22
	6,128,141,158,161,173,186,196,531,532	A-235606		Lead, black	
	Lead, breaker			(23"-14 gauge-uninsulated push on tab-insulated grip barrel eyelet terminals)	
	114	A-237625		207,504,534	47 518 29
	Lead, breaker			Screw, R.H.M. 10-24 x 7/8"	
	12	A-231839		196	X-50-12
	Lead, breaker			Screw, F.H. oval 1/4-20 x 1-1/4" (2)	
	115,116,119,127,131,143,153,180,184,504,525,526,527,530	47 125 01		32,33,38,41,44,45,47,48,510,517	X-52-20
	Lead, breaker			Screw, sht. mtl. #10-3/8"	
	48,208,506	47 125 02		18,33	X-67-3
	Lead, black			Screw, sht. mtl. 8-32 x 3/8"	
	(17"-14 gauge - insulated grip flange spade terminals)			18,32,38,40,41,44,45,47,48,49,53,58,61,62,64,66,67,74,75,78,80,82,83,88,89,91,93,95,97,99,102,103,104,118,121,508,509,510,511,512,516,517,518	X-67-43
	35	25 518 01		Screw, hex. wash. hd. 10-24 x 3/4" (4)	
	Lead, black			90,92,100,112,119,127,128,143,150,168,170,179,180,204,207,208,503,504,507,513,520,525,526,528,529,531,534	X-67-51
	(5"-14 gauge - uninsulated push on tab terminals)			Screw, hex. wash. hd. 10-32 x 1/2" (2)	
	161,173,531,532	25 518 05		49,53,58,61,62,64,66,67,74,80,82,83,88,89,91,93,94,95,97,99,102,103,104,508,511,512,516,518	X-67-57
	Lead, black			Screw, hex. wash. hd. 8-32 x 3/8"	
	(6"-14 gauge-uninsulated push on tab-insulated grip barrel eyelet terminals)			1,8,26,27,35,36,60,72,86,90,92,93,100,101,105,106,108,109,111,112,113,114,119,120,122,126,127,128,130,131,141,143,144,148,150,151,153,155,157,158,161,167,168,170,173,178,179,180,181,182,184,186,193,196,197,204,206,207,208,501,502,503,504,505,506,507,513,514,515,519,520,521,522,523,524,525,526,527,528,529,530,531,532,533,534,535,536,537	X-67-59
	161,173,531,532	25 518 06		Screw, hex. wash. hd. 1/4-20 x 3/4" (2)	
	Lead, black			100,116,127,128,186,207,504,534	X-67-62
	(16"-14 gauge-uninsulated push on tab-insulated grip barrel eyelet terminals)				
	186	25 518 09			
	Lead, black				
	(9"-14 gauge-uninsulated push on tab-insulated grip barrel eyelet terminals)				
	143,153,503,530	25 518 13			
	Lead, black				
	(12"-14 gauge-uninsulated push on tab-fully insulated push on tab terminals)				
	167	47 518 05			
	Lead, violet				
	(38"-18 gauge)				
	32,33,38,41,44,45,48,510,517	47 518 11			
	Lead, black				
	(7"-14 gauge-uninsulated push on tab-insulated grip barrel eyelet terminals)				
	208	47 518 12			

Index Number	Description Variation Number	Part Number	Index Number	Description Variation Number	Part Number
	Screw, R.H. 10-24 x 1" (4) 49,53,58,61,62,64,66,67,72,74, 75,80,82,83,88,89,91,93,94,95, 97,99,102,103,104,116,120,121, 126,501,508,509,511,512,516, 518,519	X-116-4		Screw, sems Phillips 1/4-20 x 3/4" (2) 196	X-174-2
	Screw, H.C. 3/8-16 x 7/8" (2) 6	X-129-4		Screw, H.C. 1/4-20 x 1/2" 3	X-465-2
	Screw, H.C. 1/4-20 x 3/8" 143,161,503,530,531	X-132-1		Screw, F.H.M. 10-24 x 3/4" (3) 186	25 086 30
	Screw, H.C. 1/4-20 x 3/8" (2) 82	X-132-1		Washer, lock 1/4" 3	X-20-1
	Screw, H.C. 1/4-20 x 3/4" 2,15,34,75,90,92,101,106,108, 109,110,112,113,114,115,120, 126,130,131,150,151,153,155, 158,168,170,173,179,180,181, 184,197,204,206,501,502,519, 520,521,522,523,524,525,528, 529,532,533,537	X-132-2		Washer, lock 1/4" (2) 32,33,38,41,44,45,47,48,510,517	X-20-1
	Screw, H.C. 1/4-20 x 3/4" (2) 86,105,111,119,122,141,505,513, 514,515,521,526,527,535,536	X-132-2		Washer, lock 3/8" (2) 6	X-22-1
	Screw, H.C. 1/4-20 x 3/4" (3) 7,159,507	X-132-2		Washer, I.T. #10 196	X-22-9
	Screw, H.C. 1/4-20 x 5/8" 119,148,513,514,515,526,527,528	X-132-5		Washer, I.T. #10 (4) 49,53,58,61,62,64,66,67,72,74,75, 80,82,83,86,88,89,91,93,94,95,97, 99,102,103,104,105,120,121,122, 126,131,155,501,502,508,509,511, 512,516,518,519	X-22-9
	Screw, H.C. 1/4-20 x 5/8" (2) 83,112,143,204,208,216,238,505, 510,511,512,522,523,524,525, 528,529,530,531,532,533,534	X-132-5		Washer, plain 1/4" 15,108,114,116,120,155,159,170, 501,502,519,524,527,528	X-25-52
	Screw, H.C. 1/4-20 x 5/8" (3) 506	X-132-5		Washer, plain 1/4" (2) 2,3,12,16,21,34,72,75,86,90,100, 101,109,110,111,112,113,114,121, 122,126,127,128,130,131,133,141, 150,151,158,168,179,180,181,186, 193,196,197,206,207,504,505,507, 513,514,515,520,521,522,523,525, 526,529,532,533,534,535,536,537	X-25-52
	Screw, H.C. 1/4-20 x 1/2" 5,29,513,514,515,526,527	X-132-6		Washer, plain 1/4" (3) 106,119	X-25-52
	Screw, H.C. 1/4-20 x 1/2" (2) 6,12,21,49,58,61,62,64,66,67,72, 74,80,82,83,88,89,91,93,94,95,97, 99,102,103,104,508,511,516,518	X-132-6		Washer, plain 1/4" 18,32,41,47,48,517	X-25-53
	Screw, H.C. 1/4-20 x 7/8" 8,18	X-132-7		Washer, plain 1/4" (2) 148,506,510	X-25-53
	Screw, H.C. 1/4-20 x 7/8" (2) 1,26,27,35,40,60,78,118,144, 157,167,178,182	X-132-7		Washer, plain 1/4" 26,36	X-25-63
	Screw, H.C. 1/4-20 x 1-1/4" 8,18	X-132-9		Washer, plain 1/4" (2) 6,7	X-25-63
	Screw, pan. hd. sems 6-32 x 1/4" (Discontinued not available at Kohler Co.) 8,18,26,32,33,36,38,40,41,44,45, 48,60,78,105,118,144,510,517	X-144-2		Washer, plain 1/4" 1,26,27,35,144,157,167,178,182	X-25-68
				Washer, plain 1/4" 105,114,120,121,126,148,155, 170,186,208,501,502,506,519	X-25-72
				Washer, plain 1/4" (2) 5,29,92,143,153,161,173,184, 204,208,503,530,531	X-25-73

K301

Group 19 INSTRUMENT PANEL

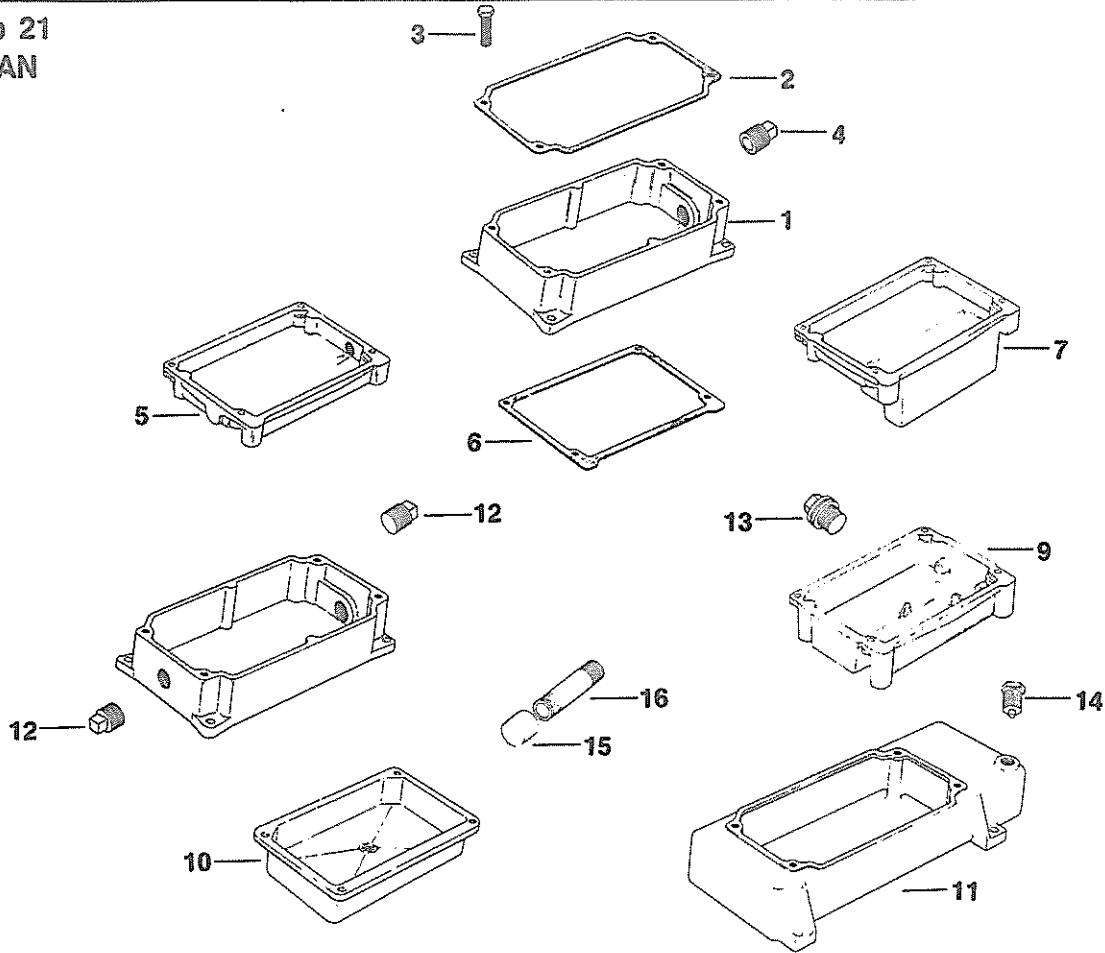


Index Number	Description Variation Number	Part Number	Index Number	Description Variation Number	Part Number
1	Bracket, panel 9,10,13,23,33,36,37,39	47 126 16	11	Switch, starter 1,3,4,8,9,10,11,13,14,18,19,21, 22,23,27,28,32,33,36,37,39,201, 202,203,204,205	237851
2	Panel, switch (Discontinued not available at Kohler Co.) 1,4	235720	12	Switch, ignition 1,3,7	275713
2	Panel, switch (Discontinued not available at Kohler Co.) 7	236372	13	Switch, ignition (Replaced by 223072-S kit) 4,200	234690
2	Panel, switch (Discontinued not available at Kohler Co.) 8	236428	13	Kit, ignition switch (Includes 18,23) 201	223072-S
3	Panel, switch 9,10,13,36	236595	14	Switch, ignition 8,11,13,14,36,202	236435
3	Panel, switch 18,23,33,37,39	237594	15	Switch, ignition 18,21,22,23,27,32,33,37,39	238011
4	Panel, switch (Discontinued not available at Kohler Co.) 11	236579	15	Switch, ignition 28	151510-2
5	Panel, switch (Discontinued not available at Kohler Co.) 14	237009	16	Switch, ignition (Discontinued not available at Kohler Co.) 19	47 099 01
6	Panel, switch (Discontinued not available at Kohler Co.) 19	47 126 10	17	Plate, switch instruction 1,3,7,201	223073
7	Panel, switch 21,27,28,32	237595	17	Plate, switch instruction 8,9,10,11,13,14,36	236654
8	Panel, switch 22	237596	18	Plate, switch instruction 4,22,23,28,32,200,201	220725
9	Connector 27,32	237429	19	Fuseholder (Includes 41 304 01 fuse) 18,21,23,27,32,33,37	41 323 02
10	Grommet (Discontinued not available at Kohler Co.) 7	X-284-15	20	Kit, lead wire no. 16 8	238058

Index Number	Description Variation Number	Part Number	Index Number	Description Variation Number	Part Number
21	Kit, ammeter (Includes 22,23,24) 203	48 755 18		Screw, H.C. 1/4-20 x 5/8" (2) 9,10,13,18,23,33,36,37,39	X-5-1
22	Washer, lock #10 (2) 203	X-19-1		Screw, hex. hd. 1/4-20 x 3/4" (2) 11	X-5-8
23	Washer, lock 1/2" 4,201	X-22-38		Screw, H.C. 1/4-20 x 1/2" (2) 1,4,9,10,11,13,14,18,19,21,22, 23,27,28,32,33,36,37,39	X-5-13
24	Nut, hex. 10-32 (4) 203	X-70-8		Screw, R.H.M. 1/4-20 x 1/2" (2) 4,8,14	X-73-1
25	Bracket, ammeter 203	48 126 09		Screw, R.H.M. 1/4-20 x 1/2" (2) 10	X-73-2
	NOT ILLUSTRATED			Screw, H.C. 1/4-20 x 3/8" (2) 10,14	X-132-1
	Lead, black (4-1/2"-14 gauge - uninsulated push on tab - insulated barrel eyelet terminals) (Discontinued not available at Kohler Co.)			Screw, H.C. 1/4-20 x 5/8" (2) 1,7,14,22,28	X-132-5
	21	237592		Screw, H.C. 1/4-20 x 1/2" (2) 13,18,23,33,36,37,39	X-132-6
	Lead, black (4"-6 gauge - uninsulated barrel eyelet terminals)			Screw, H.C. 1/4-20 x 7/8" (2) 21,27	X-132-7
	9,10,36,37,39	47 518 09		Screw, R.H.M. 1/4-20 x 1/2" (2) 3	X-158-2
	Lead, black (12"-14 gauge uninsulated push on tab - insulated barrel eyelet terminals)			Washer, lock 1/4" (2) 1,4,8,9,10,11,13,14,19,21,22,23, 27,28,32,33,36,37,39	X-20-1
	37	47 518 21		Washer, lock #6 I.T. (4) 18,21,23,27,32,33,37,39	X-22-6
	Lead, black (23"-14 gauge - insulated barrel eyelet terminals)			Washer, lock 3/8" 1,3,7,8,19	X-22-10
	21	47 518 26		Washer, I.T./E.T. 1/4" (2) 9,10,13,18,23,33,36,37,39	X-22-12
	Lead, black (24"-14 gauge - insulated barrel eyelet terminals)			Washer, lock 1/2" 4,21,22,23,27,28,32,33,37,39	X-22-38
	36,537	47 518 31		Washer, plain 11/32" (2) 4,9,10,11,13,18,19,21,27,32,33, 36,37,39	X-25-5
	Lead, black (21"-14 gauge - insulated barrel eyelet terminals)			Washer, plain 1/4" 21,27	X-25-72
	18,23,32,37,39	47 518 23		Washer, plain 1/4" (2) 28	X-25-72
	Lead, black (7"-6 gauge - insulated barrel eyelet terminals)			Nut, hex. 1/4-20 (2) 1,3,4,7,11,19,21,22,27,28,32	X-81-1
	21	25 518 02		Nut, hex. 1/4-20 (3) 18,23,33,39	X-81-1
	Lead, red (3"-14 gauge - insulated barrel eyelet terminals) (Discontinued not available at Kohler Co.)			Nut, hex. 1/4-20 (4) 8,9,10,13,14,36,37	X-81-1
	39	25 518 04			
	Lead, red (3"-14 gauge - insulated barrel eyelet terminals)				
	18,21,23,32,37	25 518 14			

K301

Group 21 OIL PAN

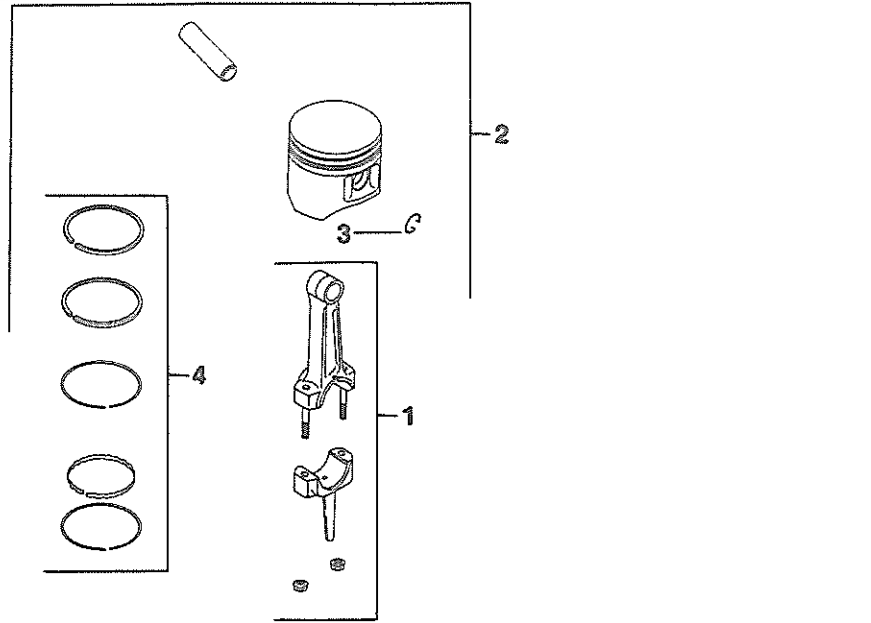


Index Number	Description Variation Number	Part Number	Index Number	Description Variation Number	Part Number
1	Pan, oil (Side drain) 1,3,4,20,26,37	235115	4	Plug, drain 3/4" sq. hd. 1,3,6,20,26,32,53,54	X-75-6
1	Pan, oil (Bottom drain) 2,30,55	235147	4	Plug, drain 3/4" sq. hd. (2) 301	X-75-6
1	Pan, oil (Rear drain) 6	235305	5	Pan, oil (Side drain) (Discontinued not available at Kohler Co.) 13	236207
1	Pan, oil (Side drain) (Discontinued not available at Kohler Co.) 11	235990	5	Pan, oil (Side drain) 15	236265
1	Pan, oil (Side drain) 7,23	237763	6	Gasket, oil pan 8,9,11,12,13,15,16,24,32,33,36, 38,39,43,44,49,52,56	235353
1	Pan, oil (Drain on starter side) 303	45 199 05	6	Gasket, oil pan (2) 38,300	235353
2	Gasket, oil pan 1,2,3,4,6,7,20,23,26,28,30,37, 46,50,53,301,302,303	235057	6	Gasket, oil pan 54	47 041 07
2	Gasket, oil pan 55	47 041 14	7	Pan, oil (Bottom drain) 8,24,36,38,44	47 199 09
3	Screw, hex. hd. 3/8-16 x 1-3/4" (2) 3	270721	7	Pan, oil (Bottom drain) (Discontinued not available at Kohler Co.) 16	236328

Index Number	Description Variation Number	Part Number	Index Number	Description Variation Number	Part Number
8	Pan, oil (Dual drain) 301	47 199 10	13	Plug, pipe 3/8" hx. hd. 54	X-75-32
9	Kit, oil pan (Bottom drain) (Includes 14) 9,39,43	47 755 11	13	Plug, pipe 1/4" hx. hd. 9,39,43	X-75-38
9	Pan, oil (Drain opposite carb.) 12,49	236663	13	Plug, drain 1" hx. hd. 8,24,36	X-708-1
9	Pan, oil (Rear drain) 56	47 199 12	14	Plug, magnetic drain 3/8" 46,50,53	X-305-4
9	Pan, oil (Side drain) 302	47 199 13	15	Cap, pipe 3/4" 4	X-268-1
9	Pan, oil (Bottom drain) 52	47 199 08	16	Nipple 3/4 x 2-3/16" 4	47 136 01
10	Pan, oil (Bottom drain) 54	47 199 07	NOT ILLUSTRATED		
11	Pan, oil (Drain on carb. side) 46	47 199 03		Screw, H.C. 3/8-16 x 1" (4) 54	X-159-2
11	Pan, oil (Drain on carb. side) 50,53	47 199 05		Screw, H.C. sems 3/8-16 x 1-1/4" (4) 1,2,3,4,6,7,11,13,23,26,30,37, 46,50,53,55,301,302,303	X-159-3
12	Plug, drain 3/8" sq. hd. 2,7,11,12,13,16,23,44,55,302,303	X-75-10		Screw, H.C. sems 3/8-16 x 1-1/4" (2) 16,20	X-159-3
12	Plug, drain 1/4" sq. hd. 12,49,52,56	X-75-2		Screw, H.C. sems 3/8-16 x 1-1/2" (4) 8,9,12,15,24,36,38,39,43,44,49, 52,56	X-159-4
12	Plug, pipe 1/8" sq. hd. 46,50,53	X-75-1		Screw, H.C. sems 3/8-16 x 1-1/2" (2) 20	X-159-4
				Screw, H.C. 3/8-16 x 1-3/8" (2) 16	X-7-2
				Washer, lock 3/8" (2) 16	X-22-1
				Washer, plain 3/8" 26	X-25-41
				Washer, plain 3/8" (4) 54	X-25-37

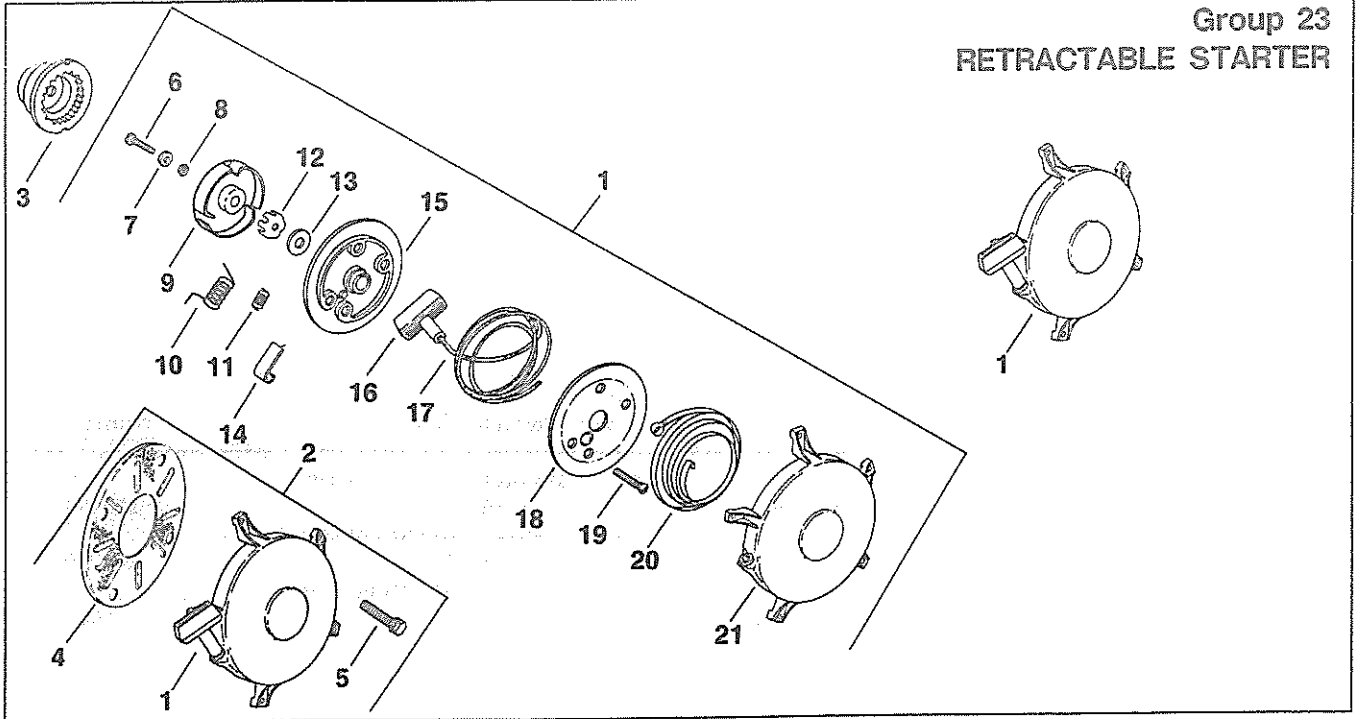
K301

Group 22 PISTON & ROD



Index Number	Description Variation Number	Part Number	Index Number	Description Variation Number	Part Number
1	Connecting Rod (Std.) 1,5,6,17		2	Piston w/Ring Set (.030) 1,5,6,17	
	Before Serial No. 1729900013 use:	47 067 09		Before Serial No. 1730100013 use:	47 874 10
	After Serial No. 1729900003 use:	45 067 24		After Serial No. 1730100003 use:	47 874 20
1	Connecting Rod (Std.) (Short Dipper)		2	Piston w/Ring Set (.030) 3,4	47 874 10
	3,4	A-235991	3	Retainer, piston pin (2) ALL	47 018 01
1	Connecting Rod (.010) 1,5,6,17		4	Ring Set (Std. & .003) 1,5,6,17	
	Before Serial No. 1729900013 use:	47 067 10		Before Serial No. 1730100013 use:	235889
	After Serial No. 1729900003 use:	45 067 25		After Serial No. 1730100003 use:	47 108 01
1	Connecting Rod (.010) (Short Dipper)		4	Ring Set (Std. & .003) 3,4	235889
	3,4	A-235991-10	4	Ring Set (.010) 1,5,6,17	
2	Piston w/Ring Set (Std.) 1,5,6,17			Before Serial No. 1730100013 use:	235890
	Before Serial No. 1730100013 use:	47 874 06		After Serial No. 1730100003 use:	47 108 02
	After Serial No. 1730100003 use:	47 874 16	4	Ring Set (.010) 3,4	235890
2	Piston w/Ring Set (Std.) 3,4	47 874 06	4	Ring Set (.020) 1,5,6,17	
2	Piston w/Ring Set (.003) 1,5,6,17			Before Serial No. 1730100013 use:	235891
	Before Serial No. 1730100013 use:	47 874 07		After Serial No. 1730100003 use:	47 108 03
	After Serial No. 1730100003 use:	47 874 17	4	Ring Set (.020) 3,4	235891
2	Piston w/Ring Set (.003) 3,4	47 874 07	4	Ring Set (.030) 1,5,6,17	
2	Piston w/Ring Set (.010) 1,5,6,17			Before Serial No. 1730100013 use:	235892
	Before Serial No. 1730100013 use:	47 874 08		After Serial No. 1730100003 use:	47 108 04
	After Serial No. 1730100003 use:	47 874 18	4	Ring Set (.030) 3,4	235892
2	Piston w/Ring Set (.010) 3,4	47 874 08			
2	Piston w/Ring Set (.020) 1,5,6,17				
	Before Serial No. 1730100013 use:	47 874 09			
	After Serial No. 1730100003 use:	47 874 19			
2	Piston w/Ring Set (.020) 3,4	47 874 09			

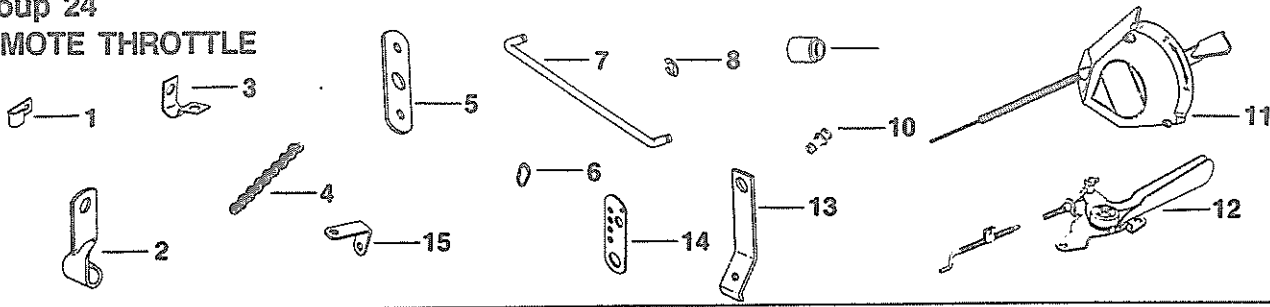
Group 23
RETRACTABLE STARTER



Index Number	Description Variation Number	Part Number	Index Number	Description Variation Number	Part Number
1	Starter, recoil-assembly (Includes 6-21) 1,8,11	47 165 01	11	Spring, retainer 1,2,4,5,6,7,8,9,11,12	232525
1	Starter, recoil-assembly (Discontinued not available at Kohler Co.) 2,9	A-235994	12	Brake 1,2,4,5,6,7,8,9,11,12	231689
1	Starter, recoil-assembly 4	A-235691	13	Washer, thrust 1,2,4,5,6,7,8,9,11,12	231692
1	Starter, recoil-assembly (Discontinued not available at Kohler Co.) 5	A-236269	14	Dogs (3) 1,2,4,5,6,7,8,9,11,12	231695
1	Starter, recoil-assembly 6	A-236608	15	Pulley 1,2,4,5,6,7,8,9,11,12	231697
2	Kit, retractable starter (Includes 47 165 01,4,5) 7,12	47 755 03	16	Handle 1,2,4,5,6,7,8,9,11,12	234452
3	Cup 1,2,6,7	235685	17	Rope #6-66 1,4,7,8,11,12	231686
3	Cup 4,5	231700	17	Rope #6-72-1/2 2,9	232923
3	Cup 8,9,11,12	47 109 01	17	Rope #6-84 5,6	236308
4	Screen 7	47 162 02	18	Sheave 1,2,4,5,6,7,8,9,11,12	231685
5	Screw, sems H.C. 10-24 x 5/8" (5) 1,2,7,9,11,12	X-156-2	19	Screw (4) 1,2,4,5,6,7,8,9,11,12	231683
6	Screw, hex. hd. #10-32 x 5/8" 1,2,4,5,6,7,8,9,11,12	231691	20	Spring, recoil 1,2,4,5,6,7,8,9,11,12	231705
7	Washer 1,2,4,5,6,7,8,9,11,12	231690	21	Housing 1,2,6,7,8,9,11,12	235696
8	Washer 1,2,4,5,6,7,8,9,11,12	231693	21	Housing 4,5	235754
9	Retainer 1,2,4,5,6,7,8,9,11,12	231699	NOT ILLUSTRATED		
10	Spring, dog 1,7,8,9,11,12	41 089 06		Screw, H.C. 10-24 x 5/8" (5) 4,5,6	X-117-5
				Washer #10 4,5,6	X-22-22
				Screw, sems H.C. 10-24 x 5/8" (5) 8,9,11,12	X-156-2

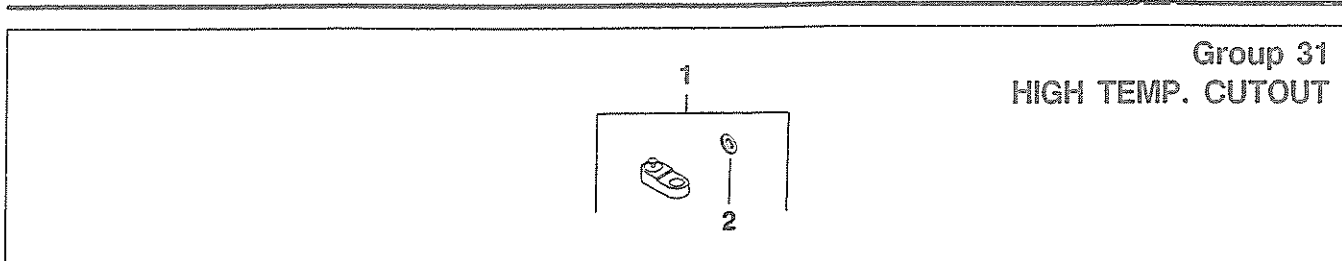
K301

Group 24 REMOTE THROTTLE



Index Number	Description Variation Number	Part Number	Index Number	Description Variation Number	Part Number
1	Clip, cable 6	231285	13	Bracket, throttle cable 6,9,15	235180
1	Clip, cable (2) 15,21	231285	14	Bracket, speed control 2,10,16,24	235086
1	Clip, cable 204	48 154 01	15	Bracket, adjusting screw 2,10,16,24	235084
2	Clip, cable (Discontinued not available at Kohler Co.) 6	235454	NOT ILLUSTRATED		
3	Clip, cable 11,203	210149		Screw, R.H.M. 8-32 x 1" 5	X-51-3
3	Clip, cable 18,23	275329		Screw, R.H.M. 8-32 x 1/4" 2,10,16,23	X-51-8
3	Clip, cable (2) 26	275329		Screw, R.H.M. 8-32 x 5/8" 23	X-51-9
4	Chain, 5 link 12	236262		Screw, R.H.M. 8-32 x 3/8" 26	X-51-12
5	Bellcrank 16	236752		Screw, R.H.M. 8-32 x 1/2" 11	X-51-15
5	Bellcrank 2,10,24	47 257 01		Screw, sems H.C. 1/4-20 x 1" 2,10,16,24	X-132-4
6	Washer, tension (2) 2,10,16,24	275690		Screw, sems hex. hd. 1/4-20 x 1/2" (2) 15,21	X-132-6
7	Rod, throttle 2	235317		Screw, H.C. 1/4-20 x 7/8" 12,25	X-132-7
7	Rod, throttle 10,16	235756		Screw, sems H.C. 1/4-20 x 1-1/4" 2,10,16,24	X-132-9
7	Rod, throttle (Discontinued not available at Kohler Co.) 24	47 411 03		Washer, lock #8 11,26	X-18-2
8	Retainer, ring (2) 2,10,16,24	235278		Washer, lock #8 (2) 5,23	X-18-2
9	Spacer 12,25	265861		Washer, brass 1/8" 23	X-25-6
9	Spacer (2) 2,10,16,24	235085		Washer, brass 1/8" (2) 5	X-25-6
10	Kit, clamp 2,10,16,24	48 755 10		Washer, plain 1/4" 11	X-25-63
11	Lever, throttle 5-5/8" cable 5	235160		Washer, plain 1/4" (2) 2,10,16,24	X-25-63
12	Lever, throttle 4-1/2" cable 12	237183		Washer, plain 1/4" 204	X-25-72
12	Lever, throttle 51" cable 200	225011-2		Washer, plain 1/4" (2) 15,21	X-25-72
12	Lever, throttle 72" cable 18	225011-6		Washer, plain 1/8" 26	X-25-92
12	Lever, throttle 40" cable 201,202	225011-7		Washer, plain 1/4" 2,10,16,24	X-25-102

K301

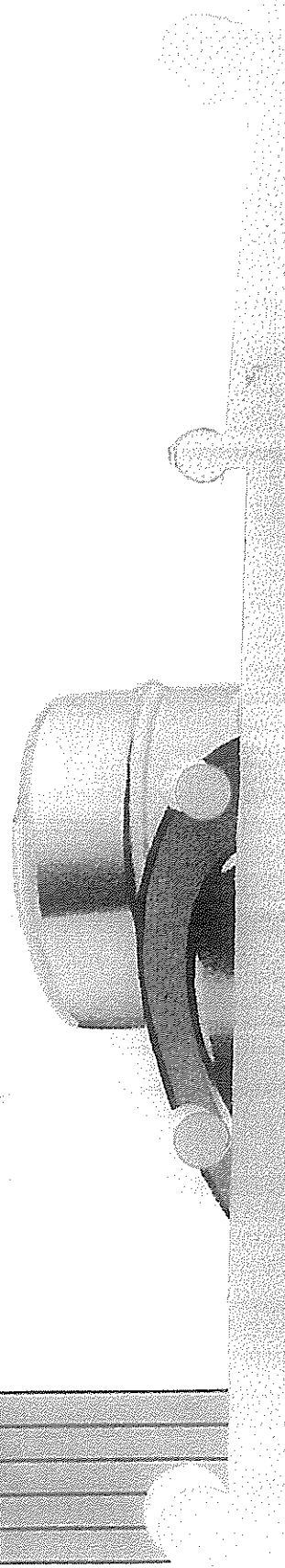


Index Number	Description Variation Number	Part Number	Index Number	Description Variation Number	Part Number
1	Kit, hi-temperature cutout (Includes 2) 1	47 703 01	2	Washer, hi-temperature cutout 1	47 468 07

Group 32 OIL PRESS. CUTOUT

Index Number	Description Variation Number	Part Number	Index Number	Description Variation Number	Part Number
	NOT ILLUSTRATED Kit, float switch 1	25 704 01		Connector 1	48 155 02

Description	Part Number	Description	Part Number
GASKET SET (w/Seals)	47 755 08	GASKET SET (w/o Seals)	47 004 01
Set Includes:		Set Includes:	
Seal, breather	231032	Seal, breather	231032
Gasket, camshaft cover	235025	Gasket, camshaft cover	235025
Gasket, valve cover	235048	Gasket, valve cover	235048
Gasket, oil pan	235057	Gasket, oil pan	235057
Gasket, bearing plate (3)	235070	Gasket, bearing plate (3)	235070
Gasket, exhaust flange	235122	Gasket, exhaust flange	235122
Gasket, bearing plate	235757	Gasket, bearing plate	235757
Gasket, oil fill	237064	Gasket, oil fill	237064
Gasket, carburetor	271030	Gasket, carburetor	271030
Gasket, valve cover	275144	Gasket, valve cover	275144
Gasket, air horn	275341	Gasket, air horn	275341
Gasket, pump pad	25 041 05	Gasket, pump pad	25 041 05
Gasket, air horn	45 041 07	Gasket, air horn	45 041 07
Gasket, oil pan	47 041 07	Gasket, oil pan	47 041 07
Gasket, head	47 041 15	Gasket, head	47 041 15
Gasket, carburetor	47 049 01	Gasket, carburetor	47 049 01
Gasket, point cover	52 041 11	Gasket, point cover	52 041 11
Seal, oil	47 032 06		
Seal, oil	47 032 07		



FOR SALES AND SERVICE INFORMATION
IN U.S. AND CANADA, CALL
1-800-544-2444

KOHLERengines

ENGINE DIVISION, KOHLER CO., KOHLER, WISCONSIN 53044

FORM NO.:	TP-2097
ISSUED:	11/74
CORRECTED:	9/92
MAILED:	9/92

LITHO IN U.S.A.