

PARTS MANUAL

MODEL K241 10HP

Engine Specs 4600 — 46858

Generator Specs 5100-51291

HOW TO FIND YOUR PART NUMBER

1 Refer to the Composite Exploded View on page 2 (Grid A2). It contains major engine components boxed and identified by Group Number. Examine these groups for your part. After you locate your part, record the Group Number.

If the part you need is not illustrated, locate a major engine component related to your part and use this component to identify the Group Number.

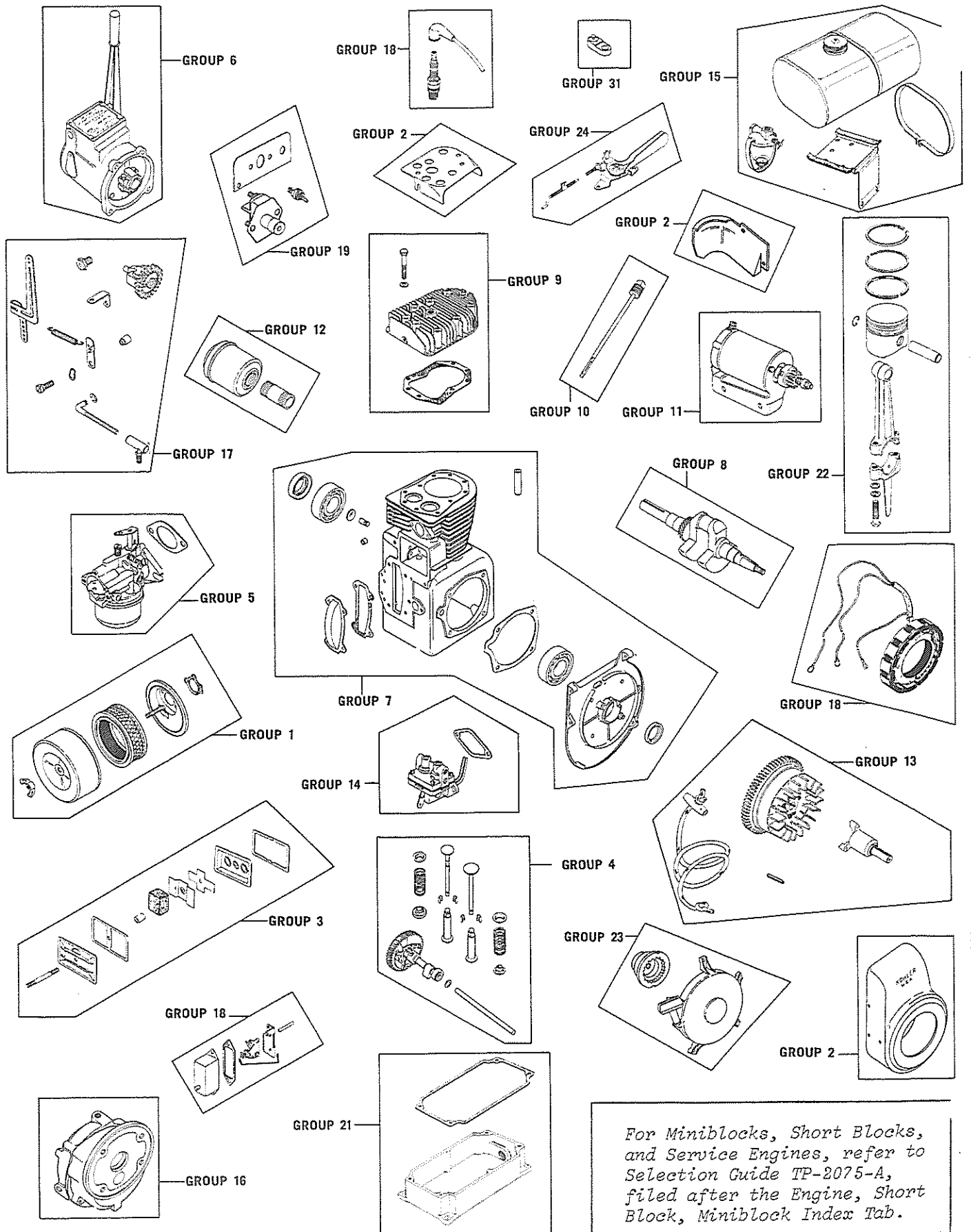
2 Obtain the Spec Number from the nameplate attached to the engine shrouding. Refer to the Spec Number Index beginning on page 3 (Grid A3). Listed vertically on the left are Spec Numbers. Listed horizontally across

the top are Group Numbers and their titles, and Page Numbers.

Locate your Spec Number. Follow horizontally from your Spec Number to the Group Number column. Where these two columns meet is the Variation Number of your part. Record that Variation Number.

3 Refer to the page (or grid) where your part is listed. Locate the part in the illustration, use its identifying index number to locate the part name in the listing. Find the Variation Number of your part in those listed below the part name. Your part number is listed to the right of the Variation Numbers.

Illustrations are not intended to show the exact detail for all variations covered.



	AIR INT	BAFFLES	BREATHER	CAMSHAFT	CARBURET	CLUTCH	CRANKCASE	CRANKSHAFT	CYLINDER	DIPSTICK	ELECTRIC	EXHAUST	FLYWHEEL	FUEL PUMP	FUEL TANK	GEAR REL	GOVERNOR	IGNITION	INSTRUMENT	OIL PAN	PISTON &	RETRACTOR	REMOTE	HIGH TEE	
Group No	1	2	3	4	5	6	7	8	9	10	11	12	13	14	15	16	17	18	19	21	22	23	24	31	
PAGE NO.	17	19	21	22	23	28	29	30	31	32	34	44	45	48	49	51	53	55	58	59	60	61	62	62	
SPEC. NO.	VARIATION NUMBER																								
4600	1	1	3	12	1		1	1	21	1		1	6	20	1		9	1		1	1				
4601	1	1	3	12	1		1	1	20	1		1	1	20			9	9	1	1	1				
4602	1	3	3	12	1		1	1	21	1	1	1	1	20	2		9	9	2	1	2	1			
4604	1	1	3	12	1		4	1	21	1	1	1	6	20	1		9	9	1	1	1				
4610	1	1	3	11	1		6	1	21	1	1	1	6	20	1		9	9	1	1	2				
4614	4	1	3	11	1		7	9	21	2		3	6	20	1		9	15		1	1				
4615	4	3	3	12	1		7	9	21	2	1	3	1	20	2		9	8	1	2	1				
4616	14	2	3	11	1		1	1	21	1	1	1	6	20	1		17	15		1	1			1	
4623	4	1	3	11	1		7	9	20	2		3	6	20			9	9	1	1	1				
4624	4	3	3	12	1		7	9	21	2	1	3	1	20			9	8	1	2	1				
4625*	5	10	1	5	1		9	1	1	1	1	1	1	1	2		1	7	2	2	1				
4629	1	3	3	12	1		7	1	21	2	1	1	1	20	2		7	2	352	2	2	1			
4632	5	1	3	12	1		1	9	21	1	1	5	6	20	1		4	1		1	1				
4638	1	1	3	12	1	1	2	12	21	2	1	1	6	20	1		9	1		1	1				
4642*	1	12	3	11	1		12	1	21	2	4	1	5	19	451		7	2	3	1	2			3	
4645	1	10	3	13	1		9	13	21	1	6	1	12	20	2		9	7	2	2	1				
4653*		13	3	12	1		1	1	20	1	405	1	2	20			9	1		1	1				
4665	1	10	3	13	1		9	1	21	1	10	1	11	20	2		9	7	2	2	1				
4666*	4	3	3	11	1		22	9	21	2	406	3	6	20	2		9	16	8	2	1				
4667*	4	3	3	11	1		22	9	20	2	406	3	6	20			1	16	8	2	1				
4671	1	1	3	11	1		12	1	20	2		1	6	19			7	1		1	2			3	
4672	1	2	3	12	1		1	1	21	1	1	1	6	20			7	1		1	1			1	
4673	14	10	3	13	1		9	1	21	1	10	1	11	20	1		7	7	2	2	1			2	
4685	4	1	3	12	1		17	1	20	1	1	3	6	6			9	1		1	1				
4690	1	10	3	5	1		9	8	2	1	6		12	2			1	7	2	2	1				
4691*	14	62	3	13	27		89	1	21	2	43	1	30	23	452		9	17		1	1				
4695	1	1	3	11	1		1	1	21	1	1	1	6	20	1		9	1		1	1				
46104	1	1	3	1	1		27	1	10	1		1	6	1	1		7	1		1	1			4	
46105	1	12	3	11	1		12	1	21	2	19	1	6	19	1		7	2	3	1	2			3	
46106	1	15	3	5	1		9	1	10	1	10	1	11	1	2		7	7	2	2	1			1	
46107*	1	12	3	13	1		43	1	21	1	18	1	11	25			9	7	7	2	1			4	
46108	1	10	3	13	1	1	20	12	21	2	10	1	11	20	2		9	7	2	2	1				
46109*	5	12	3	13	10		9	8	23	1	407	1	13	7			7	12		1	1				
46111*	1	10	3	14	1		26	24	20	2	408		14	20			800	7		1	2				
46118*	1	15	3	14	1		16	1	21	2	409	1	11	20	2		7	7	9	2	1			1	
46119	1	1	3	11	1		6	2	21	1		1	6	20	4		6	5		1	2				
46121	1	2	3	11	1	1	2	12	21	2		1	6	20	1		7	1		1	1			1	
46122*	15	23	3	13	19		15	1	21	2	410	12	22	3			800	19		14	1				
46126*	23	27	3	14	13		26	24	20	2	418		14	3			9	25		4	2				
46131*	1	10	3	13	1		9	8	20	1	10		11	19			9	7	2	2	1				
46135*	5	19	3	13	15		30	1	26	4	23	405	11	21			7	17		15	1			8	
46140	4	1	3	11	1		7	9	21	2		3	6	20	1		9	15		1	1				
46148*	5	12	3	13	10		37	8	23	1	407		13	402			800	12		1	1				
46149*	4	1	3	11	1		7	9	20	2			6	402			9	15		1	1				
46150*	15	12	3	13	1		26	19	21	2	419	405	27	19			800	23		1	1				
46157	14	10	3	5	1		16	8	12	2	10	1	11	1			1	7		2	1				
46161*	4	3	3	11	1		22	9	20	2	406		6	402			9	16	8	2	1				
46163*	4	24	3	12	20		31	1	21	1	10	3	6	20	2		800	20		2	1				
46164	5	12	3	15	8		39	30	21	6	16	2	24	13			1	7		17	2				
46166		1	3	11	1		1	1	20	1		1	6	19			9	1		1	1			2	
46171	14	1	3	12	1		19	21	21	1		1	6	20	1	3	9	1		1	1				
46172	1	2	3	12	1		6	31	21	1		1	6	20	1		7	1		1	1			1	
46175	14	1	3	12	1		1	1	21	1		1	6	20	1		9	1		1	1				
46177	15	1	3	12	1		7	8	20	2		1	6	22			9	1		1	1				
46178*	15	1	3	12	1		22	8	20	2	32	1	26	22			9	2		2	1				
46179	16	25	3	13	16		40	27	23	3	24	14	25	3	5		9	18		12	3			9	
46188	14	10	3	5	1		9	1	12	1	10		11	1			1	7	2	2	1				
46190*	14	1	3	12	1		60	1	21	1		407	28	3	453		1	1		1	1				
46195	14	1	3	11	1		6	1	21	1		1	6	20	1		9	1		1	2				
46196	14	1	3	12	1		2	12	21	2		1	6	20	1		9	1		1	1				

*Accessories: See Page 63.

#Basic Engine

Gasket Set: See Page 65.

Contact your Kohler engines parts supplier for any specification not listed.

TITLE	VARIATION NUMBER																														
	AIR INTAK	BAFFLES &	BREATHER	CAWSHAFT	CARBURETOR	CLUTCH	CRANKCASE	CRANKSHAF	CYLINDER	IDPSTICK	ELECTRIC	EXHAUST	FLYWHEEL	FUEL PUMP	FUEL TANK	GEAR REDU	GOVERNOR	IGNITION	INSTRUMEN	OIL PAN	PISTON &	RETRACTAB	REMOTE TH	HIGH TEMP							
Group No.	1	2	3	4	5	6	7	8	9	10	11	12	13	14	15	16	17	18	19	20	21	22	23	24	25	26	27	28			
PAGE NO.	17	19	21	22	23	28	29	30	31	32	34	44	45	48	49	51	53	55	58	59	60	61	62	62							
SPEC. NO.																															
46197	14	10	3	13	1		9	1	21	1	10	1	11	20	2		9	7	2	2	1										
46199	14	2	3	11	1		1	26	11	1	1	1	6	20	1		9	1	1	1						700					
46201	1	12	3	1	1		1	1	10	1	12	1	6	1			1	2	1	1											
46202	4	1	3	12	1		7	22	20	2	2	3	6	23				15	1	1											
46203*	24	23	3	13	22		55	1	21	2	9	470	12	22			9	500		14	1										
46206	14	30	3	13	16		53	27	21	8	35	1	33	20			9	33		21	3										
46209	14	31	3	13	16		53	27	22	8	36	1	33	3	5		9	18		21	3										
46211*	18	33	3	11	33		6	2	21	1			6	20	10		801	27		1	2										
46212	14	1	3	12	1		19	21	21	1		1	6	20	1	2	9	1		1	1										
46213*	20	12	3	13	1		26	19	21	2	420	405	27	19			800	23		1	1										
46215*	5	19	3	13	36		30	1	23	4	23	405	11	21			7	17		15	1								8		
46216*	4	1	3	11	1		7	9	20	2	3	3	6	403			9	15		9	1										
46218	14	10	3	13	1	1	28	12	21	2	10	1	11	20	2		9	7	2	2	1										
46219*	14	32	4	13	27		61	27	23	8	44	405	33	21			7	17		19	3								10		
46223	14	2	3	12	1		1	1	21	1	1	1	6	20	1		7	1		1	1									1	
46227*	14	30	3	13	23		53	27	21	8	39	409	33	3			7	32		11	3									701	
46230	14	1	3	11	1		1	1	21	1	1	1	6	20	1		9	1		1	1										
46231	14	1	3	12	1		1	8	21	1	1	1	6	20	1		9	1		1	1										
46236	14	2	3	12	1		6	31	21	1	1	1	6	20	1		7	1		1	1										1
46240	14	3	3	12	1		7	22	21	2	1	1	6	20	1		9	29		1	1										
46241	14	3	3	1	1		22	22	10	2	21	1	6	2			11	30	1	2	1										
46242	14	15	3	13	1		9	1	21	1	10	1	11	20	2		7	7	2	2	1										1
46244	14	15	3	13	1	1	28	12	21	2	10	1	11	20	2		17	7	2	2	1									1	
46246	14	10	3	14	1		13	1	21	1	10	1	11	20	2		9	7	2	2	1										
46247	14	1	3	12	1		4	1	21	1	1	1	6	20	1		9	1		1	1										
46248	17	30	3	13	16		59	27	21	8	35	1	33	20			9	18		12	3										
46249	14	1	3	12	1		1	1	21	1	1	1	6	20	1		1	1		20	1										
46250*	4	40	3	13	25		64	27	22	8	47	3	33	3	7		9	31		19	3									4	
46251	4	1	3	11	1		12	1	20	2	2	3	6	19			7	34		1	2									3	
46252	4	12	3	14	1		26	1	21	2	19	3	11	19			7	35	11	1	2									3	
46254*	4	3	3	12	1		22	22	20	2	406	3	6	23				15		2	1										
46255	14	30	3	5	16		53	38	10	8	35	1	33	1			9	33		12	3										
46258	14	10	3	13	1		62	21	21	1	10	1	11	20	2		9	7	2	2	1										
46260	14	1	3	3	1		6	5	10	1	1	1	6	1			9	1		1	2										
46264*	24	23	3	13	34		55	1	21	9	470	12	11	22			9	501		9	1										
46265*	14	39	3	13	10		37	42	21	1	407		37	22			14	41		1	1										
46269	16	25	3	13	29		40	44	23	13	49	14	25	3	5		9	18		12	5									9	
46270	16	25	3	13	16		40	27	23	3	46	14	25	3	5		9	18		12	3									9	
46274	14	2	3	11	1	1	8	12	21	2	2	1	6	20	1		7	1		1	1										
46275	14	1	3	12	28		1	1	17	1	1	1	38	30	1		9	1		1	6									1	
46276	14	15	3	14	1		13	1	21	1	10	1	11	20	2		7	7	2	2	2									1	
46277	14	2	3	12	28		1	1	17	1	1	1	38	30	1		7	1		1	6									1	
46280	16	25	3	13	29		40	44	23	3	46	14	25	3	5		9	18		12	5									9	
46283	14	10	3	13	1		50	17	21	1	10	1	13	20	2		9	7	2	2	1										
46284	14	15	3	13	1		16	1	21	2	10	1	11	20	2		17	7	2	2	1									1	
46287*	14	1	3	11	1		7	9	20	2	43	1	6	402			9	16		2	1										
46291	14	3	3	12	1		7	22	21	2	2	1	6	20	1		11	29		1	1										
46292*	14	12	3	12	36		57	22	21	2	31		6	24			11	30		1	1										
46294	14	2	3	12	1		1	17	21	1	1	1	6	20	1		9	1		1	1									15	
46295*	17	38	3	12	30		60	1	21	1		407	28	3	454		12	36		1	1									11	
46301	5	1	3	15	39		68	30	21	6	16	2	42	3			1	42		17	2										
46302	1	12	3	13	1		71	21	21	2	43	1	46	19			9	7		1	1										
46306*	16	30	3	13	27		53	44	21	8	50	20	33	23	9		9	51		23	5									12	
46309	14	1	3	11	1		1	1	21	1	1	1	6	20	1		1	1		1	1										
46310	16	25	3	13	29		40	44	23	13	49	21	25	3	5		9	18													

Group No.	AIR I	BAFFL	BREAT	CAMSH	CARBUR	CLUTCH	CRANKS	CRANKS	CYLIND	DIPTI	ELECTR	EXHAUS	FLYWE	FUEL P	FUEL T	GEAR R	GOVERN	IGNITI	INSTRU	OIL PA	PISTON	RETRAC	REMOTE	HIGH T	
	1	2	3	4	5	6	7	8	9	10	11	12	13	14	15	16	17	18	19	20	21	22	23	24	25
PAGE NO.	17	19	21	22	23	28	29	30	31	32	34	44	45	48	49	51	53	55	58	59	60	61	62	62	
SPEC. NO.	VARIATION NUMBER																								
46323*	14	32	4	13	41		61	44	21	8	44	405	33	21			23	17		19	5		10		
46324*	32	3	13	503			61	44	21	8	39	405	33	23			7	502		21	5		700		
46325*	4	40	3	13	25		64	44	22	8	47	3	33	3	7		9	31		19	5		4		
46329	16	25	3	13	29		40	44	20	13	53	21	25	3	5		9	18		12	5		9		
46330*	7	16	3	13	4	1	28	42	21	2	10	15	11	3			10	7	2	7	5				
46333*	14	52	4	13	41		43	1	21	4	54	11	11	21			7	17		25	1		16		
46337	14	15	3	14	1	1	28	12	21	2	10	1	11	20	2		7	7		2	1		1		
46341*	25	55	3	11	600		75	52	21	13	404	22	55	33			16	50	2	27	5				
46348	17	31	3	13	16		58	44	21	13	37	1	33	34	5		9	77		21	5				
46351#	14	130	3	12	1		73	56	39	1		1	49	28			9	136		1		2			
46352*	14	49	3	13	36		158	53	21	33	407	406	50	33			15	45		28	1				
46354	14	41	3	13	36		21	22	21	2	57	11	24				11	45		1	1				
46355*	14	50	3	13	23		61	44	21	8	39	405	33	23			7	32		21	5				
46356	14	51	3	12	1		1	1	21	1	11	1	54	20	1		7	7		1	1			1	
46357	14	1	3	12	1		1	21	1	1		1	54	20	1		9	1		1	1			1	
46363*	14	10	3	14	1		13	1	20	1	10	1	11	19	455		1	7	2	2	2				
46364	14	1	3	12	1		1	1	21	1		1	54	20	1		1	1		1	1				
46366	14	1	3	11	1		6	1	21	1		1	54	20	1		1	1		1	2				
46371	4	10	3	13	20		50	1	21	1	10	3	11	20	2		9	7		2	2				
46373		12	3	13	1		20	55	21	2	43		11	20			9	7		2	2				
46374	17	1	3	12	33		80	56	21	1		1	56	20	1		9	55		1	1				
46375	14	10	3	13	1		9	1	21	1	10	1	11	20	2		1	7	2	2	1				
46376	14	2	3	12	1		4	1	21	1		1	6	20	1		7	1		1	1			1	
46379*	14	43	3	13	27		40	58	25	12	412	1	33	23			13	51		19	5				
46380	14	57	3	11	1		82	56	21	1		1	49	20	1		17	58	350	1	2				
46381	14	57	3	12	1		83	59	21	1		1	49	20	1	3	17	55	350	1	1	2	1		
46382	14	51	3	12	1		1	1	21	1		1	54	20	1		7	1		1	1			1	
46383	14	59	3	13	1		9	1	21	1	10	1	11	20	2		17	7	2	2	1			1	
46389	14	57	3	12	28		73	56	17	1		1	58	30	1		17	55	350	1	6	2	1		
46390	14	135	3	12	1		73	56	39	1		1	200	47	28		17	55		1	3			1	
46391	14	10	3	13	1		9	22	21	1	10	1	11	20	2		7	7	2	2	1				
46392#	14	129	3	12	1		73	56	39	1		1	54	60	28		9	136		1	1			2	
46393	14	1	3	12	1		1	1	21	1		1	6	20	1		1	1		1	1				
46394	14	48	3	12	28		83	59	17	1		1	58	47	21	2	1	55		1	6	2			
46397*	25	55	3	11	600		75	57	21	13	404	22	55	33			16	50		27	5				
46398%	14	61	3	12	1		87	56	21	1	62	1	60	19	16		9	76	13	1	1				
46400	14	1	3	12	1		1	1	21	1		1	60	20	1		9	1		20	1				
46405*	14	30	3	13	22		61	44	21	8	411	405	33	21			9	60		19	5				
46407	16	25	3	13	29		40	44	21	13	63	21	25	3	5		9	18		12	5				
46409	17	63	3	12	16		90	44	21	13		1	48	34	5		9	78		21	5	1	19		
46415	14	68	3	13	16		36	1	21	1	41	1	11	3	5		9	18		1	1				
46416*	14	78	4	13	41		167	66	21	34	69	32	124	21			25	90		38	1			16	
46418	14	73	3	11	1		104	66	21				68	22			7	63		1	1				
46422*	17	71	3	13	600		100	57	21	12	414		33	33			9	74		27	5			20	
46423	5	129	3	12	1		73	47	43	1		5	54	48	28		4	55		1	1				
46424	14	1	3	12	1		83	59	21	1		1	54	20	1	3	9	55		1	1				
46425#	14	129	3	11	1		82	56	39	1		1	54	60	28		9	55		1	2				
46426	14	1	3	12	1	1	108	53	21	1		1	54	47	21		9	55		1	1				
46427*	14	2	3	11	1		73	63	21	1		1	54	47	21		9	55		1	1			700	
46428*	17	122	3	11	1		82	64	39	1		1	54	48	31	801		55		1	2				
46429#	14	129	3	12	1		104	59	39	1		1	54	47	28	2	9	55		1	1				
46430	14	131	3	12	1		73	56	39	1		1	54	60	28		17	136		1	1			1	
46431	14	129	3	11	1		73	56	39	1		1	54	47	28		9	55		1	1				
46432	14	1	3	12	1		73	65	21	1		1	54	20	1		9	55		1	1				
46433	14	1	3	12	1		73	56	21	1		1	54	20	1		1	55		20	1				
46434	14	2	3	12	1		83	59	21	1		1	54	20	1	3	17	55		1	1			1	
46437	14	1	3	12	28		73	56	17	1		1	67	47	21		9	55		1	6				
46439	14	131	3	12	1		73	66	39	1		1	54	47	28		9	55		1	1			15	
46440	5	129	3	15	39		108	68	38	6	70	36	74	3			1	55		17	2				
46443	14	51	3	12	1		73	56	21	1		1	54	20	1		17	55		1	1				

* Suffix Letter E of this specification has the following variations

14	102	3	12	1		144	56	21	1	62	1	94	19	17		9	83	13	1	1				
----	-----	---	----	---	--	-----	----	----	---	----	---	----	----	----	--	---	----	----	---	---	--	--	--	--

*Accessories: See Page 68.
 #Basic Engine
 For Miniblocks, Short Blocks, and Service Engines refer to Selection Guide TP-2076-A.

Gasket Set: See Page 66.
 Contact your Kohler engines parts supplier for any specification not listed.

Group No.	AIR IN	BAFFLE	BREATH	CANSHA	CARBUR	CLUTCH	CRANK	CRANKS	CYLIND	DIPSTI	ELECTR	EXHAUS	FLYWE	FUEL P	FUEL T	GEAR R	GOVERN	IGNITI	INSTRU	OIL PA	PISTON	RETRAC	REMOTE	HIGH T	
	1	2	3	4	5	6	7	8	9	10	11	12	13	14	15	16	17	18	19	21	22	23	24	31	
PAGE NO.	17	19	21	22	23	28	29	30	31	32	34	44	45	48	49	51	53	55	58	59	60	61	62	62	
SPEC. NO.	VARIATION NUMBER																								
46444	14	1	3	12	1		73	56	21	1		1	54	47	21		1	55		1	1				
46446	14	51	3	12	1		73	56	21	1		1	54	20	1		17	55		1	1			1	
46447	14	1	3	12	1		73	56	21	1			54	20	1			55		1	1				
46449	14	1	3	12	1		73	56	21	1			54	20	1			55		20	1	1			
46450	14	2	3	12	28		73	56	17	1		1	67	47	21		17	55			6			1	
46459		73	3	11	1		108	66	31				68	22			9	63		1	1				
46475		73	3	11	1		104	54	21				68	22			9	63		1	1				
46476		73	3	11	1		108	54	21				68	22			9	68		1	1				
46477		4	3	11	1		108	64	21				68	22			9	63	351	1	1				
46478		19	3	11	1		104	66	21				68	22			9	63		1	1				
46479		73	3	11	1		104	59	21				68	22			9	63		1	1				
46480		73	3	11	1		104	53	21				68	22			9	63		1	1				
46481*	32	129	3	12	50		73	56	39	1		1	54	47	28		9	55		1	1				
46482	14	129	3	12	1		149	56	39	1		1	54	48	28		9	55		1	1				
46484*	210	79	3	13	27		40	58	31	18			104	23			13	67		19	5				
46487		30	3	14	22		53	47	21				66	49			9	18		19	5				
46488		32	3	14	22		53	47	21				66	49			9	18		19	5				
46489	17	86	3	14	22		61	47	39	8		1	66	48			28	45		19	5				
46490		30	3	14	22		59	47	21				66	59			9	18		19	5				
46495	14	2	3	12	1	1	108	53	21	1		1	54	47	21		17	55		1	1			1	
46502	14	48	3	12	28		73	56	17	1		1	58	47	21		1	55		1	6	2			
46510	14	10	3	14	1		105	56	21	1	10	1	69	20	2		1	7	2	2	1				
46511	14	118	3	20	1		73	56	39	1	72	1	123	47	450		1	122	14	1	1				
46512*	14	61	3	12	1		87	56	21	1	62	1	60	20			9	62		1	1				
46513*	17	95	3	12	42		142	57	32	22	71		93	33			7	84		1	1		20		
46515*	24	82	3	13	36		16	1	21	9	406		69	20	2		9	18	353	2	1				
46517	14	130	3	11	1		82	56	39	1		1	49	60	28		9	55		1	2	2			
46518*	14	96	3	15	1		137	75	21	2	69	406	82	20			9	62		1	1				
46519*	29	23	4	13	34		55	1	21	9	410	12	11	22			19	501		9	1				
46520**	25	83	3	12	600		125	57	32	22	71	22	84	33			20	75		1	1				
46523*	17	71	3	11	600		126	57	21	12	414		47	33			7	50		27	5		20		
46527*	17	71	3	12	600		126	57	21	12	414		47	33			7	50		27	5		20		
46535	14	129	3	12	1		149	56	39	1		14	54	48	28		9	55		1	1		4		
46536	14	102	3	12	1		156	56	21	2	62	14	94	19	16		9	83	13	1	1		4		
46537*	17	86	3	11	600		75	76	33	13	416	22	55	33			16	50		27	5		4		
46538*	17	86	3	11	600		75	77	33	13	416	22	55	33			16	50		27	5				
46539	14	61	3	11	1		87	56	21	1	62	1	81	19			1	55	16	1	1				
46540	14	61	3	11	1		87	56	21	1	62	1	60	19	16		9	76	13	1	1				
46541	14	1	3	11	1		101	56	21	1		1	54	47	21		1	78		1	1				
46545*	14	96	3	17	1		156	75	21	2	69	406	88	20			9	49		1	1				
46548	14	82	3	13	1		105	56	21	1	10	1	69	20	2		9	18	2	2	1				
46549	14	92	3	13	1		105	56	21	1	10	1	69	20	2		7	18	2	2	1			1	
46552*	14	52	4	13	41		173	56	21	4	54	405	69	21			7	17		25	1			16	
46554	14	82	3	13	1	1	28	53	21	2	10	1	69	20	2		9	18	2	2	1				
46555	14	92	3	13	1	1	28	62	21	2	10	1	69	20	2		17	18	2	2	1			1	
46556	14	82	3	14	1		13	56	21	1	10	1	69	20	2		9	18	2	2	2				
46557	14	82	3	13	1		62	59	21	1	10	1	69	20	2	3	9	18	2	2	2				
46558	14	82	3	13	1		105	56	21	1	10	1	69	20	2		9	18	2	2	1				
46559	14	82	3	13	1		62	59	21	1	10	1	69	20	2	2	9	18	2	2	1				
46560*	29	23	4	13	34		102	66	21	9	410	12	69	22			19	53		9	1				
46562	14	93	3	13	44		16	56	21	2	10	1	69	3			9	45	2	7	1				
46564	14	1	3	11	28		82	56	17	1		1	67	48	21		9	55		1	6				
46565*	4	1	3	11	1		109	47	21	2		1	54	403			9	55		9	1				
46566	14	102	3	11	1		144	56	21	1	62	1	94	19	17		1	83	13	1	1				
46567	14	48	3	11	1		73	56	21	1		1	49	20	1		1	55		1	1		2		
46569*	14	39	3	13	10		82	80	21	1	407		91	22			14	41		1	1				
46577	14	48	3	12	1		73	56	21	1		1	49	20			9	55		1	1	2			
46578	30	110	3	12	36		164	73	32	31	69		92	23			15	86		1	1				
46580*	14	49	3	13	36		158	80	21	14		406	50	33			27	45		28	1				
46582*	24	23	3	13	54		102	56	21	9	410	12	96	22			9	500		14	1				

* Suffix Letter E of this specification has the following variations

17	95	3	12	42		142	77	32	22	71	22	93	33			16	84		1	1				
----	----	---	----	----	--	-----	----	----	----	----	----	----	----	--	--	----	----	--	---	---	--	--	--	--

*Accessories: See Page 63.
#Basic Engine

Gasket Set: See Page 65.
Contact your Kohler engines parts supplier
for any specification not listed.

GROUP TITLE	VARIATION NUMBER																											
	FAIR INTAKE	BAFFLES & :	BREATHER &	CAKSHAFT &	CARBURETOR	CLUTCH	CRANKCASE	CRANKSHAFT	CYLINDER HE	DIPSTICK	ELECTRIC ST	EXHAUST	FLYWHEEL	FUEL PUMP	FUEL TANK	GEAR REDUCT	GOVERNOR	IGNITION	INSTRUMENT	OIL PAN	PISTON & RO	RETRACTABLE	REMOTE THRO	HIGH TEMP.				
Group No.	1	2	3	4	5	6	7	8	9	10	11	12	13	14	15	16	17	18	19	20	22	23	24	31				
PAGE NO.	17	19	21	22	23	28	29	30	31	32	34	44	45	48	49	51	53	55	58	59	60	61	62	62				
SPEC. NO.																												

46585*	14	141	4	12	1		73	54	44	1		406	54	3	456		19	82		1	1			
46586*	5	19	3	13	36		149	56	21	4	23	405	69	21			7	17		15	1			
46587*	14	10	3	14	1		13	56	21	1	10		69	19	455		1	7	2	2	2			8
46590	14	100	3	12	33		149	71	21	1		14	54	3	18		17	55		1	1			1
46591	30	94	3	12	36		160	66	21	31	69		92	20			9	80		1	1			
46593	17	101	4	14	45		151	81	35	30	71		98	38			22	85		34	5			
46595	1	12	3	11	1		154	56	21	2	19		1	54	19		7	55	3	1	1	2		3
46597	14	129	3	11	1		104	83	39	1			1	54	48	28		1	78	1	1	2		2
46602		79	3	13	27		40	54	21	18			33	23			13	67		21	5			
46603	14	1	3	11	1		73	56	21	1			101	3			9	55		1	1			
46606*	31	49	3	13	36		158	80	21	33		406	50	33			15	45		28	1			
46608	17	101	4	14	45		151	81	35	30	71		98	38			22	85		41	5			
46610	14	118	3	20	1		73	56	39	1	72	24	123	47	450		1	22	14	1	1			
46611	16	105	3	13	27		40	44	36	13	63	30	25	3	18		9	18		41	5			19
46613	14	102	3	12	1		144	54	21	1	62		94	19			9	94	19	1	1			
46614	14	102	3	12	1		144	56	21	1	62	1	94	48	21		17	97	17	1	1			1
46615	14	102	3	11	1		147	56	21	1	62	1	94	47	24		9	83	13	1	1			
46617*	14	49	3	13	36		158	80	21	33		406	105	33			27	45		45	1			
46624	14	102	3	12	1		147	59	21	1	62	1	94	47	24	2	9	83	13	1	1			
46627*	14	123	4	13	50		166	66	37	37	417	34	111	3	25		19	107		37	1			
46628#	14	118	3	13	1		141	56	39	1	62	1	118	60	29		9	504	20	1	1			
46630	14	1	3	11	28		82	56	17	1		1	67	47	21		9	55		1	6			
46632	16	105	3	13	27		40	44	36	13	53	30	25	3	18		9	18		41	5			19
46633	17	101	4	14	45		151	81	35	30	71		114	38			22	99		41	5			
46634	14	110	3	12	36		164	73	32	31	69		115	23			27	103		1	1			
46636	14	110	4	13	41		141	66	38	4	69		124	21			23	114		38	1			16
46640	17	95	3	12	42		142	77	32	22	81		118	33			7	100		1	1			20
46642	14	118	3	14	1		147	56	39	1	62	1	118	47	29		9	104	20	1	2			
46643	14	110	4	12	41		167	66	32	34	62	32	124	21			25	108		38	1			16
46645	14	131	3	11	1		82	88	39	1		1	54	48	28		17	55		1	2			1
46646	14	118	3	13	27		141	56	39	1	62	16	119	47	30		9	104		1	1			
46650*	17	122	3	11	1		82	64	40	1			54	23			801	105		1	2			
46651*	14	110	3	12	36		147	56	38	1	69	407	120	46	457		12	110		1	1			22
46652*	14	118	3	13	8		168	56	39	1	62	410	118	47	29		9	104	20	1	1			
46653	14	102	3	13	1		141	56	21	1	62	1	103	47	27		17	112	23	1	1			1
46657	16	124	3	13	47		171	44	41	13	63	30	25				27	109		41	5			23
46659*	14	126	4	13	50		170	66	42	37	62	34	122		3	25	19	111		37	1			
46661	14	130	3	12	1		109	56	39	2		1	49	47	28		27	55		1	1			2
46664	14	110	3	13	36		164	73	32	31	69		115	23			27	115		1	1			
46665	14	95	3	13	42		142	77	38	22	69		118	56			23	113		1	1			20
46670*	14	141	4	12	1		73	54	44	1		406	200	3	356		19	82		1	1			
46672	14	118	3	13	1		141	56	39	1	62	1	118	60	29		17	138	20	1	1			1
46674*	14	126	4	13	35		170	66	42	37	62	34	122	3	25		19	111		42	1			
46675	14	134	3	13	50		141	54	38	1	82		118	23			9	507	24	1	1			
46677*	14	118	3	13	36		141	56	39	1	62	39	118	47	29		27	104	20	1	1			
46678	17	101	4	14	45		174	86	46	39	71		114	59			22	99		47	5			
46681	14	95	3	13	42		176	56	32	22	69		118	56			23	113		1	1			20
46683	14	127	3	13	36		158	80	45	33	84		105	33			27	118		45	1			
46686	14	118	3	13	1		147	59	39	1	62	1	118	47	29	2	17	506	20	1	1			1
46691*	210	140	3	13	57		40	58	21	18			128	23			29	67		19	5			
46694	14	130	3	11	1		82	56	48	1			49	3			1	55		1	2			2
46696*	14	126	4	13	35		178	66	42	40	62	406	122	3	25		19	111		42	1			
46699*	211	118	3	13	50		141	56	39	1	62	1	118	47	450		17	121	26	1	1			1
46700	16	124	3	22	47		171	44	36	13	63	30	25				27	109		41	5			19
46706	5	148	3	12	59		73	56	52	1		1	67	3	34		9	55		1	6			
46708	37	127	3	13	36		158	80	45	33	84		105	33			27	118		45	1			
46709*	211	134	3	13	60		141	56	38	4	62	1	118	3			17	127	27	46	1			1
46710	5	148	3	11	59		82	56	52	1		1	67	3	34		9	55		1	6			
46712	14	118	3	14	36		147	59	39	4	62		118	47	30	2	27	137		1	1			
46716*	17	122	3	11	1		82	90	39	1			54	48	31		801	55		1	2			

*Accessories: See Page 53.

#Basic Engine

Gasket Set: See Page 65.

Contact your Kohler engines parts supplier for any specification not listed.

GROUP TITLE	AIR INTAKE	BAFFLES &	BREATHER &	CAMSHAFT &	CARBURETOR	CLUTCH	CRANKCASE	CRANKSHAFT	CYLINDER H	DIPSTICK	ELECTRIC S	EXHAUST	FLYWHEEL	FUEL PUMP	FUEL TANK	GEAR REDUC	GOVERNOR	IGNITION	INSTRUMENT	OIL PAN	PISTON & R	RETRACTABL	REMOTE THRU	HIGH TEMP.	
Group No.	1	2	3	4	5	6	7	8	9	10	11	12	13	14	15	16	17	18	19	21	22	23	24	31	
PAGE NO.	17	19	21	22	23	28	29	30	31	32	34	44	45	48	49	51	53	55	58	59	60	61	62	62	
SPEC. NO.	VARIATION NUMBER																								
46717	42	144	3	13	62		181	47	50	46	85	40	130	3				32	131		41	5			
46718	34	110	3	13	36		164	91	53	31	69	40	115	58				27	129		15	1			
46720	39	147	6	14	61		183	86	50	44	71	41	132	52				31	126		47	5			
46725	14	110	3	13	36		184	66	38	31	69		133	58				27	106		15	1			
46726*	17	126	4	13	35		178	66	42	40	87	406	122	3	25			19	111		48	1			
46727	14	148	3	12	59		73	56	52	1		1	67	3	34			9	55		1	6			
46730	14	148	3	11	59		82	56	52	4		1	67	3	34			17	55		1	6		1	
46734	42	150	3	22	62		185	47	50	44	90	40	130	3				32	131	28	41	5			
46736	37	151	3	13	63		158	80	54	33			105	56				27	130		45	1			
46737	14	95	3	13	42		142	77	32	22	69		118	57				23	113		1	1		20	
46738*	17	122	3	11	1		82	90	39	1			54	48	31			36	132		1	2			
46740	47	152	6	13	70		181	66	50	45	69	40	135	3				32	124		48	1			
46741	16	130	3	11	1		73	56	39	1			1	49	28			27	55		1	1	2		
46743	14	148	3	11	64		82	56	52	1		1	67	3	34			9	133		1	6			
46746	37	104	3	13	63		158	80	54	33	90		137	56				27	134		45	1			
46747*	14	129	3	11	36		73	56	39	1			54	60				27	136		1	1			
46748*	14	118	3	14	36		141	56	39	4			118	47				27	503		1	1			
46749	34	118	3	13	1		141	66	39	1	62		118	47	29			9	104	20	1	1			
46753	39	147	6	14	61		183	86	50	44	71	41	138	59				37	126	28	47	5			
46754	42	150	3	22	62		185	47	50	44	90	40	130	3				32	135	28	41	5			
46755*	50	122	3	11	1		82	90	39	1			54	61	31			36	139		1	2			
46756	14	110	4	13	65		141	66	38	4	69		124	21				38	114		38	1		16	
46757	34	130	3	12	1		73	66	39	1			49	60	28			9	136		1	1	2		
46758	34	130	3	12	1		73	56	39	1		1	49	60	28			9	136		1	1	2		
46760*	17	118	3	11	1		82	90	39	1	89		81	61	35			36	139		1	2			
46762	14	118	3	14	1		141	56	39	1	62	1	118	60	29			1	504	20	1	1			
46763	39	147	6	14	61		187	86	50	44	71	41	138	63				37	146		47	5			
46764	34	110	3	13	36		164	91	53	31	69	40	139	58				27	140		15	1			
46766	14	110	4	13	65		186	66	38	48	69		124	64				38	114		51	1		16	
46767	14	155	3	13	1		141	56	39	1	62	1	118	60	36			9	508	29	1	1			
46778	14	118	3	14	36		156	56	38	2	62		118	3				27	503		1	1			
46779	14	155	3	13	1		141	56	39	1	62	1	118	60	36			17	138	29	1	1		1	
46783	14	155	3	14	1		141	56	39	1	62	1	118	60	29			1	508	29	1	1			
46784	34	155	3	13	1		141	6	39	1	62	1	118	60	29			9	505	29	1	1			
46785	39	147	6	14	61		187	86	50	50	71	41	138	63				37	146		52	1			
46786*	14	155	3	14	36		141	56	39	4	62		118	60				27	508		1	1			
46787	14	155	3	14	36		156	56	38	9	62		118	3				27	508		1	1			
46788	14	95	3	13	42		176	56	38	22	69		143	56				23	144		1	1		20	
46789	14	95	3	13	42		142	77	55	22	69		143	57				23	144		1	1		20	
46790*	50	118	3	11	1		82	90	39	1	62		123	61	35			36	139		1	2			
46791	14	155	3	14	1		141	56	39	1	62	1	118	60	36			1	508	29	1	1			
46792	34	155	3	13	1		141	66	39	1	62		118	60	36			9	505	29	1	1			
46795	14	155	3	14	1		141	56	39	1	62	24	118	60	36			1	508	29	1	1			
46798*	14	118	3	20	1		73	56	39	1	62		123	60	29			1	122	14	1	1			
46801*	14	130	3	11	36		73	56	39	1	62		49	60				27	136		1	1	2		
46803	34	158	3	13	36		164	91	56	31	69	40	144	58				27	145		15	1			
46804	14	135	3	12	1		73	56	39	1		1	49	60	28			17	136		1	1	2	1	
46805	14	110	4	13	65		186	56	38	48	69		124	64				38	114		51	1		16	
46808	14	130	3	12	1		73	66	39	1		1	49	60	28			9	136		1	1	2		
46809	34	135	3	11	1		195	73	39	24		1	49	60	28			17	136		1	1	2	1	
46810	34	155	3	14	1		175	73	39	24	62	1	118	60	36			17	138	29	1	1		1	
46812	14	110	3	13	65		186	66	38	48	69		124	64				29	114		51	1			
46817*	14	155	7	14	74		141	66	39	4	82		118	60				27	509		1	1			
46818	14	155	7	14	74		156	66	38	9	62		118	3				27	509		1	1			
46819*	14	130	7	11	74		73	66	58	1			49	60				27	136		1	1	2		
46820*	14	130	3	12	1		73	56	39	1			49	60	28			1	136		1	1	2		
46821	14	155	3	13	1		200	75	38	49	82		118	60				9	509		1	1			
46826*	50	122	3	11	1		82	90	39	1			54	61	31			36	153		1	2			
46827*	50	118	3	11	1		82	90	39	1	62		123	61	35			36	153		1	2			
46830*	14	130	3	12	1		82	66	39	1			49	60	28			1	136		1	1	2		

*Accessories: See Page 65.
 #Basic Engine

Gasket Set: See Page 65.
 Contact your Kohler engines parts supplier
 for any specification not listed.

GROUP TITLE	AIR INTAKE	BAFFLES & S	BREATHER &	CAMSHAFT &	CARBURETOR	CLUTCH	CRANKCASE	CRANKSHAFT	CYLINDER HE/	DIPSTICK	ELECTRIC ST/	EXHAUST	FLYWHEEL	FUEL PUMP	FUEL TANK	GEAR REDUCTI	GOVERNOR	IGNITION	INSTRUMENT P	OIL PAN	PISTON & ROD	RETRACTABLE	REMOTE THROT	HIGH TEMP. C
Group No.	1	2	3	4	5	6	7	8	9	10	11	12	13	14	15	16	17	18	19	21	22	23	24	31
PAGE NO.	17	19	21	22	23	28	29	30	31	32	34	44	45	48	49	51	53	55	58	59	60	61	62	62
SPEC. NO.	VARIATION NUMBER																							

*46832	51	155	3	13	1		141	66	39	54	62		118	69	460			9	512	32	1	1			
46837	37	167	3	13	63		203	80	54	600	90		600	56				802	134		45	1	1		
46838	14	118	3	12	1		202	73	39	1	62	24	123	60	29			1	122	14	1	1	1		
46839	52	155	3	13	1		141	66	39	1	62	1	118	60	36			9	508	29	1	1	1		
46843	52	155	3	13	1		141	66	39	1	62	1	118	60	36			9	508	29	1	1	1		
46850	34	130	3	12	1		73	86	38	24			601	404				27	510		1	1			
46852	34	155	3	13	1		206	66	39	9	62	1	118	60	28			9	511		54	1	1	600	
46858	53	155	3	13	1		156	66	39	9	62	1	118	60	36			1	508	29	1	1	1		

*Accessories: See Page 63.
 #Basic Engine

Gasket Set: See Page 65.
 Contact your Kohler engines parts supplier
 for any specification not listed.

GROUP TITLE	AIR INTAKE	BAFFLES &	BREATHER &	CAMSHAFT &	CARBURETOR	CRANKCASE	CRANKSHAFT	CYLINDER H	DIPSTICK	EXHAUST	FLYWHEEL	FUEL PUMP	FUEL TANK	GOVERNOR	IGNITION	OIL PAN	PISTON & R	RETRACTABL	HIGH TEMP.
Group No.	1	2	3	4	5	7	8	9	10	12	13	14	15	17	18	21	22	23	31
PAGE NO.	17	19	21	22	23	29	30	31	32	44	45	48	49	53	55	59	60	61	62
SPEC. NO.	V A R I A T I O N N U M B E R																		
5100A	1	1	3	3	2	3	2	2	2	2	1	2		2	3	3	2		
5101A	1	1	3	3	2	3	2	2	2	2	1	2		2	3	3	2		
5102A	1	4	3	3	6	2	2	2	2	2	1	2		2	4	3	2		
5103A	3	7	3	3	3	3	2	2	2	2	1	4		2	3	3	2		
5104A	3	7	3	3	3	3	2	2	2	2	1	4		2	3	3	2		
5105A	1	1	3	3	2	3	2	2	2	2	1	2		2	3	3	2		
5106A	3	7	3	3	5	3	2	5	2	2	1	4		2	3	3	2		
5107A	1	4	3	3	6	2	2	2	2	2	1	2		2	4	3	2		
5108A	1	5	1	3	2	2	2	2	2	2	3	2		2	3	3	2		
5109A	1	11	3	3	6	2	2	2	2	2	3	2		2	4	3	2		
5110A	3	5	3	3	3	3	2	5	2	2	2	4		2	3	3	2		
5111A	1	1	3	3	2	3	2	2	2	2	1	2		2	3	3	2		
5112A	207	5	1	3	2	2	2	2	2	2	2	4		2	3	3	2		
5113A	1	5	1	3	2	3	2	2	2	2	2	2		2	3	3	2		
5114A	3	4	3	3	7	2	2	5	2	2	1	4		2	4	3	2		
5116A	3	5	3	3	3	3	2	5	2	2	2	4		2	3	3	2		
5117A	5	8	3	3	2	14	2	6	1	2	2	5		2	3	6	2		
5118A	3	7	3	3	3	3	2	5	2	2	1	4		2	3	3	2		
5119A	3	7	3	3	5	3	2	5	2	2	1	4		2	3	3	2		
5120A	5	8	3	3	2	14	2	6	1	2	2	5		2	3	6	2		
5121A	5	14	3	3	6	14	2	6	1	2	8	15		2	22	3	2		
5124A	3	7	3	3	3	3	2	5	2	2	1	4		2	3	3	2		
5125A	1	4	3	3	6	2	2	2	2	2	1	2		2	4	3	2		
5126A	5	14	3	3	6	14	2	6	1	2	8	15		2	22	3	2		
5128A	3	5	3	3	3	3	2	5	2	2	2	4		2	3	3	2		
5130A	3	5	3	3	3	3	2	5	2	2	2	4		2	3	3	2		
5132A	1	1	3	3	2	3	2	2	2	2	1	2		2	3	3	2		
5133A	12	8	3	3	11	3	2	6	2	2	2	5		2	3	6	2		
5134A	1	11	3	3	6	2	2	2	2	2	3	2		2	4	3	2		
5137A	1	4	3	3	6	2	2	2	2		1	2		2	4	3	2		
5138A	1	1	3	3	2	3	2	2	2	2	1	2		2	3	3	2		
5139A	5	14	3	3	6	14	2	6	1	2	8	15		2	22	3	2		
5141A	1	1	3	3	2	3	2	2	2	2	1	2		2	3	3	2		
5142A	3	4	3	3	7	2	2	5	2	2	1	4		2	4	3	2		
5143A	5	22	3	3	2	14	2	16	1	2	2	5		2	3	13	2		
5144A	1	5	1	3	2	3	2	2	2	2	2	2		2	3	3	2		
5145A	5	8	3	3	2	14	2	6	1	2	2	5		2	3	6	2		
51100A	1	1	3	3	2	3	2	12	2	2	6	2		2	3	3	2		
51100C	14	1	3	11	2	3	2	20	2	2	6	19		2	3	3	2		
51100D	14	1	3	11	2	3	2	20	2	2	6	19		2	3	3	2		
51100E	17	127	3	11	2	102	64	38	2	36	54	42		2	64	3	2		
51101A	1	1	3	3	2	3	2	12	2	2	6	2		2	3	3	2		
51101C	14	1	3	3	2	3	2	12	2	2	6	2		2	3	3	2		
51101D	14	1	3	11	2	3	2	20	2	2	6	19		2	3	3	2		
51101E	17	127	3	11	2	102	64	38	2	36	54	42		2	64	3	2		
51102A	202	7	3	3	3	3	2	15	2	2	6	4		2	3	3	2		
51102D	202	7	3	11	3	3	2	26	2	2	6	27		2	3	3	2		
51102E	202	7	3	11	3	102	64	38	2	2	54	27		33	64	3	2		
51103A	203	1	3	3	2	3	2	2	2	2	1	2		2	3	3	2		
51103B	203	1	3	3	2	3	2	12	2	2	6	2		2	3	3	2		
51103C	14	1	3	3	2	3	2	12	2	2	6	2		2	3	3	2		
51103D	14	1	3	11	2	3	2	20	2	2	6	19		2	3	3	2		
51103E	17	127	3	11	2	102	64	38	2	36	54	42		2	64	3	2		
51104A	204	22	3	3	2	14	2	16	1	2	2	5		2	3	13	2		
51104D	5	22	3	11	2	14	2	27	1	2	2	29		2	3	13	2		
51104E	204	22	3	11	2	108	64	21	1	31	70	45		2	64	36	2		
51105A	204	22	3	3	2	14	2	16	1	2	2	5		2	3	13	2		
51105D	204	22	3	11	2	14	2	27	1	2	2	29		2	3	13	2		
51105E	204	22	3	11	2	108	64	21	1	31	70	45		2	64	36	2		
51106A	204	37	3	3	6	14	2	16	1	2	8	15		2	22	3	2		

Gasket Set: See Page 6b.

Contact your Kohler engines parts supplier for any specification not listed.

TITLE	AIR INTA	BAFFLES	BREATHER	CAMSHAFT	CARBURET	CRANKCAS	CRANKSHA	CYLINDER	DIPSTICK	EXHAUST	FLYWHEEL	FUEL PUM	FUEL TAN	GOVERNOR	IGNITION	OIL PAN	PISTON &	RETRACTA	HIGH TEM
Group No.	1	2	3	4	5	7	8	9	10	12	13	14	15	17	18	21	22	23	31
PAGE NO.	17	19	21	22	23	29	30	31	32	44	45	48	49	53	55	59	60	61	62
SPEC. NO.	V A R I A T I O N N U M B E R																		
51106D	204	37	3	11	6	14	2	27	1	2	8	28		2	22	3	2		
51106E	204	37	3	11	6	108	64	21	1	31	108	45		2	66	36	2		
51107A	204	37	3	3	6	14	2	16	1	2	8	15		2	22	3	2		
51107D	204	37	3	11	6	14	2	27	1	2	8	28		2	22	3	2		
51107E	204	37	3	11	6	108	64	21	1	31	108	45		2	66	36	2		
51108A	203	4	3	3	6	2	2	12	2		6	2		2	4	3	2		
51108C	14	4	3	3	6	2	2	12	2		6	2		2	4	3	2		
51108D	14	4	3	11	6	2	2	20	2		6	19		2	4	3	2		
51108E	17	4	3	11	6	102	64	38	2		54	42		2	65	3	2		
51109A	202	7	3	3	5	3	2	15	2	2	6	4		2	3	3	2		
51109D	202	7	3	11	5	3	2	26	2	2	6	27		2	3	3	2		
51110A	202	5	3	3	5	3	2	15	2	2	2	4		2	3	5	2		
51111A	203	5	3	3	2	3	2	12	2	2	2	2		2	3	3	2		
51111C	14	5	3	3	2	3	2	12	2	2	2	2		2	3	3	2		
51111D	14	5	3	11	2	3	2	20	2	2	2	19		2	3	3	2		
51111E	17	5	3	11	2	102	64	21	2	2	70	42		2	64	3	2		
51112A	203	4	3	3	6	2	2	12	2		6	2		2	4	3	2		
51112E	17	4	3	11	6	102	64	38	2		54	42		2	65	3	2		
51113A	202	5	3	3	3	3	2	15	2	2	2	4		2	3	3	2		
51113D	202	5	3	11	3	3	2	26	2	2	2	27		2	3	3	2		
51113E	202	5	3	11	3	102	64	21	2	2	70	27		33	64	3	2		
51114A	202	7	3	3	3	3	2	15	2	2	6	4		2	3	3	2		
51114D	202	7	3	11	3	3	2	26	2	2	6	27		2	3	3	2		
51114E	202	7	3	11	3	102	64	38	2	2	54	27		33	74	3	2		
51115A	202	7	3	3	3	3	2	5	2	2	2	4		2	3	3	2		
51115B	202	7	3	3	3	3	2	15	2	2	6	4		2	3	3	2		
51115D	202	7	3	11	3	3	2	26	2	2	6	27		2	3	3	2		
51115E	202	7	3	11	3	102	64	38	2	2	54	27		33	64	3	2		
51116A	203	4	3	3	6	2	2	12	2		6	2		2	4	3	2		
51116D	14	4	3	11	6	2	2	20	2		6	19		2	4	3	2		
51116E	17	4	3	11	6	102	64	38	2		54	42		2	65	3	2		
51117A	203	4	3	3	6	2	2	12	2		6	2		2	4	3	2		
51117C	14	4	3	3	6	2	2	12	2		6	2		2	4	3	2		
51117D	14	4	3	11	6	2	2	20	2		6	19		2	4	3	2		
51117E	17	4	3	11	6	102	64	38	2		54	42		2	65	3	2		
51119A	203	5	3	3	2	3	2	12	2	2	2	2		2	3	3	2		
51119C	14	5	3	3	2	3	2	12	2	2	2	2		2	3	3	2		
51119D	14	5	3	11	2	3	2	20	2	2	2	19		2	3	3	2		
51119E	17	5	3	11	2	102	64	21	2	2	70	42		2	64	3	2		
51120A	206	22	3	3	11	3	2	16	2	2	2	15		2	3	6	2		
51120D	206	22	3	11	11	3	2	27	2	2	2	28		2	3	6	2		
51120E	202	22	3	11	11	102	64	21	2	31	70	45		2	64	36	2		
51121A	203	1	3	3	2	3	2	2	2	2	1	2		2	3	3	2		
51121C	14	1	3	3	2	3	2	12	2	2	6	2		2	3	3	2		
51121D	14	1	3	11	2	3	2	20	2	2	6	19		2	3	3	2		
51121E	17	127	3	11	2	102	64	38	2	36	54	42		2	64	3	2		
51123A	7	5	3	3	4	3	2	5	2	4	2	3		10	3	3	2		
51124A	203	5	3	3	2	3	2	12	2	2	2	2		2	3	3	2		
51124C	14	5	3	3	2	3	2	12	2	2	2	2		2	3	3	2		
51124E	202	7	3	11	3	102	64	38	2	2	54	27		33	64	3	2		
51125A	202	5	3	3	3	3	2	15	2	2	2	4		2	3	3	2		
51125D	202	5	3	11	3	3	2	26	2	2	2	27		2	3	3	2		
51125E	202	5	3	11	3	102	64	21	2	2	70	27		33	68	3	2		
51126A	203	4	3	3	6	2	2	12	2	1	6	1		2	4	3	2		
51126C	14	4	3	3	6	2	2	12	2	1	6	1		2	4	3	2		
51126D	14	4	3	11	6	2	2	20	2	1	6	20		2	4	3	2		
51127A	202	7	3	3	26	3	2	15	2	4	6	3		2	3	3	2		
51127D	202	7	3	11	26	3	2	26	2	4	6	3		2	3	3	2		
51127E	202	7	3	11	26	102	64	38	2	4	54	3		2	64	3	2		
51128A	202	4	3	3	7	2	2	15	2		6	4		2	4	3	2		

Gasket Set: See Page 66.

Contact your Kohler engine parts supplier for any specification not listed.

TITLE	AIR INTAKE	BAFFLES &	BREATHER	CAKSHAFT	CARBURETOR	CRANKCASE	CRANKSHAFT	CYLINDER	DIPSTICK	EXHAUST	FLYWHEEL	FUEL PUMP	FUEL TANK	GOVERNOR	IGNITION	OIL PAN	PISTON &	RETRACTAG	HIGH TEMP
Group No.	1	2	3	4	5	7	8	9	10	12	13	14	15	17	18	21	22	23	31
PAGE NO.	17	19	21	22	23	29	30	31	32	44	45	48	49	53	55	59	60	61	62
SPEC. NO.	VARIATION NUMBER																		
51128D	202	4	3	11	7	2	2	26	2		6	27		2	4	3	2		
51128E	202	4	3	11	7	102	64	21	2		54	27		2	65	3	2		
51129A	203	4	3	3	6	2	2	12	2		6	2		2	4	3	2		
51129C	14	4	3	3	6	2	2	12	2		6	2		2	4	3	2		
51129D	14	4	3	11	6	2	2	20	2		6	19		2	4	3	2		
51129E	17	4	3	11	6	102	64	38	2		54	42		2	65	3	2		
51130A	206	22	3	3	11	3	2	16	2	2	2	15		2	3	6	2		
51130D	206	22	3	11	11	3	2	27	2	2	2	28		2	3	6	2		
51130E	202	22	3	11	11	102	64	21	2	31	70	45		2	64	36	2		
51131B	206	22	3	3	11	3	2	16	2	2	2	15		2	3	6	2		
51132A	203	1	3	3	2	3	2	12	2	2	6	2		2	3	3	2		
51132C	14	1	3	3	2	3	2	12	2	2	6	2		2	3	3	2		
51132D	14	1	3	11	2	3	2	20	2	2	6	19		2	3	3	2		
51132E	17	127	3	11	2	102	64	38	2	36	54	42		2	64	3	2		
51133B	203	5	3	3	2	3	2	12	2	2	2	2		2	3	3	2		
51133C	14	5	3	3	2	3	2	12	2	2	2	2		2	3	3	2		
51133D	14	5	3	11	2	3	2	20	2	2	2	19		2	3	3	2		
51133E	17	5	3	11	2	102	64	21	2	2	70	42		2	64	3	2		
51134B	203	1	3	3	2	3	2	12	2	2	6	2		2	3	3	2		
51134C	14	1	3	3	2	3	2	12	2	2	6	2		2	3	3	2		
51134E	17	127	3	11	2	102	64	38	2	36	54	42		2	64	3	2		
51135A	203	1	3	3	2	3	2	12	2	2	6	2		2	3	3	2		
51135C	14	1	3	3	2	3	2	12	2	2	6	2		2	3	3	2		
51135D	14	1	3	11	2	3	2	20	2	2	6	19		2	3	3	2		
51135E	17	127	3	11	2	102	64	38	2	36	54	42		2	64	3	2		
51136B	202	5	3	3	3	3	2	15	2	2	2	4		2	3	3	2		
51136D	202	5	3	11	3	3	2	26	2	2	2	27		2	3	3	2		
51136E	202	5	3	11	3	102	64	21	2	2	70	27		33	64	3	2		
51137A	202	5	3	3	26	3	2	15	2	2	4	2		2	3	3	2		
51137D	202	5	3	11	26	3	2	26	2	4	2	3		2	3	3	2		
51137E	202	5	3	11	26	102	64	21	2	4	70	3		2	64	3	2		
51138A	203	4	3	3	6	2	2	12	2		6	2		2	4	3	2		
51138C	14	4	3	3	6	2	2	12	2		6	2		2	4	3	2		
51138D	14	4	3	11	6	2	2	20	2		6	19		2	4	3	2		
51138E	17	4	3	11	6	102	64	38	2		54	42		2	65	3	2		
51139A	202	5	3	3	31	3	2	15	2	4	2	3		2	3	3	2		
51139D	202	5	3	11	31	3	2	26	2	4	2	3		2	3	3	2		
51139E	202	5	3	11	31	102	64	21	2	4	70	3		2	64	3	2		
51141C	14	4	3	3	6	2	2	12	2		6	2		2	4	3	2		
51141D	14	4	3	11	6	2	2	20	2		6	19		2	4	3	2		
51141E	17	4	3	11	6	102	64	38	2		54	42		2	65	3	2		
51142C	14	1	3	3	2	3	2	12	2	2	6	2		2	3	3	2		
51142D	14	1	3	11	2	3	2	20	2	2	6	19		2	3	3	2		
51143A	206	22	3	3	11	3	2	16	2	2	2	15		2	3	6	2		
51143D	206	22	3	11	11	3	2	27	2	2	2	28		2	3	6	2		
51144A	202	7	3	3	31	3	2	15	2	4	6	3		2	3	3	2		
51144D	202	7	3	11	31	3	2	26	2	4	6	3		2	3	3	2		
51144E	202	7	3	11	31	102	64	38	2	4	54	3		2	64	3	2		
51145C	14	1	3	3	2	3	2	12	2	2	6	2		2	3	3	2		
51145D	14	1	3	11	2	3	2	20	2	2	6	19		2	3	3	2		
51145E	17	127	3	11	2	102	64	38	2	36	54	42		2	64	3	2		
51146A	202	7	3	3	3	3	2	15	2	2	6	4		2	3	3	2		
51146D	202	7	3	11	3	3	2	26	2	2	6	27		2	3	3	2		
51146E	202	7	3	11	3	102	64	38	2	2	54	27		33	64	3	2		
51147A	202	5	3	3	5	3	2	15	2	2	2	4		2	3	5	2		
51147D	202	5	3	11	5	3	2	26	2	2	2	27		2	3	5	2		
51148A	202	7	3	3	31	3	2	15	2	4	6	3		2	3	3	2		
51148D	202	7	3	11	31	3	2	26	2	4	6	3		2	3	3	2		
51148E	202	7	3	11	31	102	64	38	2	4	54	3		2	64	3	2		
51149D	204	22	3	11	2	14	2	27	1	2	2	29		2	3	13	2		

Gasket Set: See Page 65.

Contact your Kohler engine parts supplier for any specification not listed.

GROUP TITLE	AIR INTAKE	BAFFLES & S	BREATHER &	CAMSHAFT &	CARBURETOR	CRANKCASE	CRANKSHAFT	CYLINDER HE	DIPSTICK	EXHAUST	FLYWHEEL	FUEL PUMP	FUEL TANK	GOVERNOR	IGNITION	OIL PAN	PISTON & RO	RETRACTABLE	HIGH TEMP. (
Group No.	1	2	3	4	5	7	8	9	10	12	13	14	15	17	18	21	22	23	31
PAGE NO.	17	19	21	22	23	29	30	31	32	44	45	48	49	53	55	59	60	61	62
SPEC. NO.	V A R I A T I O N N U M B E R																		
51149E	204	22	3	11	2	108	64	21	1	31	70	45		2	64	36	2		
51150D	14	4	3	11	6	2	2	20	2	400	6	20	12	2	4	3	2		
51151D	202	5	3	11	31	3	2	26	2	4	2	3		2	2	3	2		
51151E	202	5	3	11	31	102	64	21	2	4	70	3		2	64	3	2		
51152D	14	4	3	11	6	2	2	20	2		6	19		2	4	3	2		
51152E	17	4	3	11	6	102	64	38	2		54	42		2	65	3	2		
51153D	14	4	3	11	6	2	2	20	2		6	19		2	4	3	2		
51153E	17	4	3	11	6	102	64	38	2		54	42		2	65	3	2		
51154D	14	4	3	11	6	2	2	20	2		6	19		2	4	3	2		
51154E	17	4	3	11	6	102	64	38	2		54	42		2	65	3	2		
51155D	14	11	3	11	6	2	2	20	2		3	19		2	4	3	2		
51155E	14	11	3	11	6	102	64	21	2		72	42		2	65	3	2		
51156D	14	1	3	11	40	3	2	20	2	2	10	19		2	3	3	2		
51156E	14	1	3	11	40	102	64	21	2	2	73	42		2	64	3	2		
51157D	202	7	3	11	26	3	2	26	2	4	6	3		2	3	3	2		
51157E	202	7	3	11	26	102	64	38	2	4	54	3		2	64	3	2		
51158D	202	5	3	11	26	3	2	26	2	4	2	3		2	3	3	2		
51158E	202	5	3	11	31	102	64	21	2	4	70	3		2	64	3	2		
51159D	202	7	3	11	31	3	2	26	2	4	6	3		2	3	3	2		
51159E	202	7	3	11	31	102	64	38	2	4	54	3		2	64	3	2		
51160D	14	5	3	11	2	3	2	20	2	2	2	19		2	3	3	2		
51160E	17	5	3	11	2	102	64	21	2	2	70	42		2	64	3	2		
51161D	14	4	3	11	6	2	2	20	2		6	19		2	4	3	2		
51161E	17	4	3	11	6	102	64	38	2		54	42		2	65	3	2		
51162D	202	7	3	11	31	3	2	26	2	4	6	3		2	3	3	2		
51162E	202	7	3	11	31	102	64	38	2	4	54	3		2	64	3	2		
51163D	14	5	3	11	2	14	2	20	1	2	2	19		2	3	3	2		
51163E	14	5	3	11	2	108	64	21	1	2	70	42		2	64	3	2		
51164D	14	5	3	11	2	14	2	20	1	2	2	19		2	3	3	2		
51164E	14	5	3	11	2	108	64	21	1	2	70	42		2	64	3	2		
51165D	206	22	3	11	26	3	2	27	2	2	2	3		2	3	6	2		
51165E	202	22	3	11	26	102	64	21	2	31	70	3		2	64	36	2		
51166D	14	1	3	11	2	3	2	20	2	2	6	19		2	3	3	2		
51166E	17	127	3	11	2	102	64	38	2	36	54	42		2	64	3	2		
51167D	206	22	3	11	26	3	2	27	2	2	2	3		2	3	6	2		
51167E	202	22	3	11	26	102	64	21	2	31	70	3		2	64	36	2		
51168D	202	7	3	11	31	3	2	26	2	4	6	3		2	3	3	2		
51169D	2	1	3	11	2	3	2	20	2	2	6	19		2	3	3	2		
51169E	2	1	3	11	2	102	64	21	2	2	54	19		2	64	3	2		
51170D	14	5	3	11	2	3	2	20	2	2	2	19		2	3	3	2		
51170E	17	5	3	11	2	102	64	21	2	2	70	42		2	64	3	2		
51171E	17	75	3	11	6	102	64	38	2	403	49	42		2	65	3	2	2	
51173E	17	127	3	11	2	102	64	38	2	36	54	42		2	64	3	2		
51174E	204	22	3	11	2	108	64	21	1	31	70	45		2	64	36	2		
51175E	17	5	3	11	2	102	64	21	2	2	70	42		2	64	3	2		
51176E	17	127	3	11	2	102	64	38	2	36	54	42		2	64	3	2		
51177E	17	5	3	11	2	102	64	21	2	2	70	42		2	64	3	2		
51178E	202	7	3	11	26	102	64	38	2	4	54	3		2	64	3	2		
51179E	17	5	3	11	2	102	64	21	2	2	70	42		2	64	3	2		
51180E	14	5	3	11	40	102	64	21	2	2	70	42		2	64	3	2		
51181E	17	5	3	11	2	102	64	21	2	2	70	42		2	64	3	2		
51182E	14	5	3	11	40	102	64	21	2	2	70	42		2	64	3	2		
51183E	2	1	3	11	2	102	64	21	2	2	54	19		2	64	3	2		
51184E	17	127	3	11	2	102	64	38	2	36	54	42		2	64	3	2		
51185E	202	5	3	11	3	102	64	21	2	2	70	27		33	64	3	2		
51186E	14	5	3	11	40	108	64	21	1	2	70	39		2	64	3	2		
51188E	204	22	3	11	2	108	64	21	1	31	70	45		2	64	36	2		
51189E	17	4	3	11	6	102	64	38	2		54	42		2	65	3	2		
51190E	202	7	3	11	26	102	64	38	2	4	54	3		2	64	3	2		
51191E	17	75	3	11	6	102	64	38	2		49	42		2	65	3	2	2	

Gasket Set: See Page 66.

Contact your Kohler engine parts supplier for any specification not listed.

GROUP TITLE	AIR INTAKE	BAFFLES & S	BREATHER &	CAMSHAFT &	CARBURETOR	CRANKCASE	CRANKSHAFT	CYLINDER HE	DIPSTICK	EXHAUST	FLYWHEEL	FUEL PUMP	FUEL TANK	GOVERNOR	IGNITION	OIL PAN	PISTON & RC	RETRACTABLE	HIGH TEMP.
Group No.	1	2	3	4	5	7	8	9	10	12	13	14	15	17	18	21	22	23	31
PAGE NO.	17	19	21	22	23	29	30	31	32	44	45	48	49	53	55	59	60	61	62
SPEC. NO.	V A R I A T I O N N U M B E R																		
51192E	202	7	3	11	31	102	64	38	2	4	54	3		2	64	3	2		
51193E	17	127	3	11	2	102	64	38	2	2	36	54	42	2	2	64	3	2	
51194E	17	75	3	11	6	102	64	38	2	2	2	49	42	2	2	65	3	2	2
51195E	14	11	3	11	40	108	64	21	1	2	70	42		2	2	65	3	2	2
51196E	204	22	3	11	2	108	64	21	1	31	70	42		2	2	64	36	2	
51197E	202	4	3	21	26	102	64	38	2		54	3		2	65	3	2		
51198E	17	127	3	11	2	102	64	38	2	2	36	54	42	2	2	64	3	2	
51199E	14	106	3	11	40	108	64	21	1	2	72	42		2	2	64	3	2	
51200E	14	5	3	11	2	108	64	21	1	2	70	42		2	2	64	3	2	
51201E	17	5	3	11	2	102	64	21	2	2	70	42		2	2	64	3	2	
51202E	14	5	3	11	40	108	64	21	1	2	70	39		2	2	64	3	2	
51203E	202	7	3	11	3	102	64	38	2	2	54	27		33	64	3	2		
51204E	17	127	3	11	40	102	64	38	2	2	54	42		2	2	64	3	2	
51205E	204	22	3	11	2	108	64	21	1	31	70	45		2	2	64	36	2	
51206E	17	127	3	11	2	102	64	38	2	36	54	42		2	2	64	3	2	
51207E	202	5	3	11	31	102	64	21	2	4	70	3		2	2	64	3	2	
51208E	202	5	3	11	31	102	64	21	2	4	70	3		2	2	64	3	2	
51209E	14	106	3	11	40	108	64	21	1	2	72	42		2	2	64	3	2	
51210E	14	5	3	11	40	108	64	21	1	29	70	42		2	2	64	3	2	
51211E	6	5	3	11	26	108	64	21	1		70	3		2	2	64	35	2	
51212E	5	5	3	11	40	108	64	21	1	2	70	42		2	2	64	3	2	
51213E	14	11	3	11	40	108	64	21	1	27	72	42		2	2	64	3	2	
51214E	14	5	3	11	40	108	64	21	1	28	70	42		2	2	64	3	2	
51215E	17	4	3	11	6	102	64	38	2	2	54	42		2	2	65	3	2	
51217E	202	7	3	11	3	102	64	38	2	2	54	27		33	64	3	2		
51218E	17	5	3	11	2	102	64	21	2	2	70	42		2	2	64	3	2	
51219E	204	22	3	11	2	108	64	21	1	31	70	45		2	2	64	36	2	
51220E	6	5	3	11	26	108	64	21	1		70	3		2	2	64	35	2	
51221E	17	5	3	11	2	102	64	21	2	2	70	42		2	2	64	3	2	
51222E	202	7	3	11	31	102	64	21	2	4	73	3		2	2	64	3	2	
51223E	17	5	3	11	2	102	64	21	2	2	70	42		2	2	64	3	2	
51224E	202	7	3	11	3	102	64	38	2	2	54	27		33	64	3	2		
51125E	202	5	3	11	3	102	64	21	2	2	70	27		33	64	3	2		
51226E	14	5	3	11	40	108	64	21	1	2	70	39		2	2	64	3	2	
51227E	17	127	3	11	2	102	64	38	2	36	54	42		2	2	64	3	2	
51228E	17	5	3	11	2	102	64	21	2	2	70	42		2	2	64	3	2	
51229E	17	5	3	11	2	102	64	21	2	2	70	42		2	2	64	3	2	
51230E	204	22	3	11	2	108	64	21	1	31	70	45		2	2	64	36	2	
51231E	204	22	3	11	2	108	64	21	1	31	70	45		2	2	64	36	2	
51232E	204	37	3	11	6	108	64	21	1	31	108	45		2	2	66	36	2	
51233E	202	22	3	11	11	102	64	21	2	31	70	45		33	64	36	2		
51234E	202	22	3	11	26	102	64	21	2	31	70	3		2	2	64	36	2	
51235E	17	75	3	11	6	102	64	38	2	2	49	42		2	2	65	3	2	2
51236E	14	111	3	11	40	108	64	21	24	28	109	43		2	2	93	1	2	
51237E	202	22	3	11	11	102	64	21	2	31	70	45		33	64	36	2		
51238E	204	22	3	11	2	108	64	21	1	31	70	45		2	2	64	36	2	
51239E	17	75	3	11	6	102	64	39	2	403	49	47	28	2	2	65	3	2	2
51240E	17	127	3	11	2	102	64	38	2	36	54	42		2	2	64	3	2	
51241E	17	75	3	11	6	102	64	39	2	403	49	47		2	2	65	3	2	2
51242E	17	75	3	11	6	102	64	39	2	403	49	47		2	2	65	3	2	2
51243E	202	5	3	11	26	102	64	21	2	4	70	3		2	2	64	3	2	
51244E	202	7	3	11	26	102	64	38	2	4	54	3		2	2	64	3	2	
51245E	17	125	3	11	40	169	64	21	38	28	109	43		2	2	93	39	2	
51246E	202	22	3	11	26	102	64	21	2	31	70	3		2	2	64	36	2	
51247E	17	75	3	11	6	102	64	39	2	403	49	47		2	2	65	3	2	2
51248E	17	125	3	11	40	169	64	21	38	401	109	43		2	2	93	39	2	
51249E	14	111	3	11	51	108	64	21	24	28	109	3		2	2	93	1	2	
51250E	33	127	5	11	52	169	64	38	38	2	121	43		33	64	40	2		
51251E	17	5	3	21	51	102	64	21	2	4	70	3		2	2	64	3	2	
51252E	17	7	3	21	53	102	64	38	2	4	54	3		2	2	64	3	2	

Contact your Kohler engines parts supplier for any specification not listed.

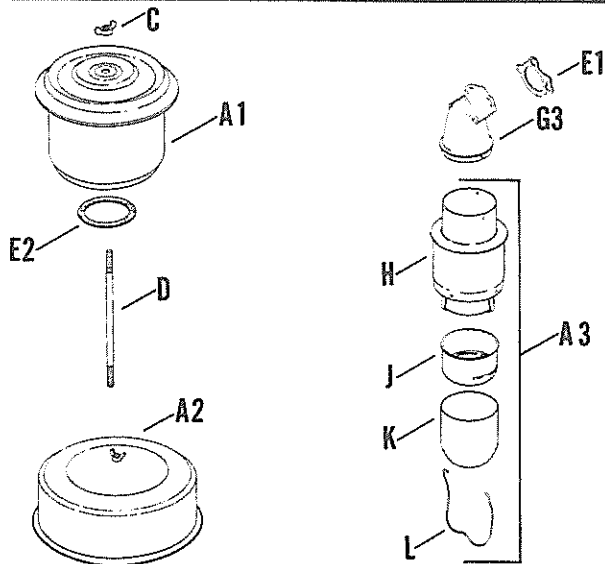
Gasket Set: See Page 65.

TITLE	AIR INTA	BAFFLES	BREATHER	CAMSHAFT	CARBURET	CRANKCAST	CRANKSHAFT	CYLINDER	DIPSTICK	EXHAUST	FLYWHEEL	FUEL PUMP	FUEL TANK	GOVERNOR	IGNITION	OIL PAN	PISTON &	RETRACTAB	HIGH TEMP
Group No.	1	2	3	4	5	7	8	9	10	12	13	14	15	17	18	21	22	23	31
PAGE NO.	17	19	21	22	23	29	30	31	32	44	45	48	49	53	55	59	60	61	62
SPEC. NO.	V A R I A T I O N N U M B E R																		
51253E	17	125	3	11	40	169	64	21	38	402	109	43		2	93	39	2		
51254E	17	127	3	11	2	102	64	38	2	36	54	42		2	64	3	2		
51255E	17	75	3	11	6	102	64	39	2	403	49	47	28	2	65	3	2		2
61256E	17	125	3	21	55	169	64	21	38	28	109	3		2	93	39	2		
51257E	17	7	3	21	51	102	64	36	2	4	54	3		2	64	3	2		
51258E	17	5	3	21	51	102	64	21	2	4	70	3		2	64	3	2		
51259E	14	127	3	11	2	102	64	39	2	404	54	47	28	2	64	3	2		
51260E	33	127	5	11	52	169	64	38	38	2	121	43		33	64	40	2		
51261E	17	127	3	11	2	102	64	38	2	36	54	42		2	64	3	2		
51262E	14	11	3	11	6	102	64	21	2	72	42			2	65	3	2		
51263E	33	127	5	11	52	108	64	38	24	2	121	43		2	64	43	2		
51264E	17	125	3	11	40	169	64	21	38	28	109	43		2	93	39	2		
51265E	17	127	3	11	2	102	64	38	2	36	54	42		2	64	3	2		
51266E	17	125	3	11	40	169	64	21	38	28	109	43		2	93	39	2		
51267E	17	22	3	21	51	108	64	21	1	31	70	3		2	64	36	2		
51268E	17	7	3	21	51	102	64	38	2	4	54	3		2	64	3	2		
51269E	17	7	3	21	51	102	64	38	2	4	54	3		2	64	3	2		
51270E	17	5	3	21	51	102	64	21	2	4	70	3		2	64	3	2		
51271E	17	75	3	11	6	102	64	39	2	403	49	47		2	65	3	2		2
51272E	14	127	3	11	2	102	64	39	2	404	54	47		2	64	3	2		
51273E	17	7	3	21	51	102	64	38	2	4	54	3		2	64	3	2		
51274E	17	7	3	21	51	102	64	38	2	4	54	3		2	64	3	2		
51275E	33	127	5	11	52	108	64	38	24	2	127	43		2	64	43	2		
51276E	17	4	3	11	6	102	64	38	2		54	42		2	65	3	2		
51277E	204	37	3	11	6	108	64	21	1	31	108	45		2	66	36	2		
51278E	17	5	3	21	51	102	64	21	2	4	70	3		2	64	3	2		
51279E	17	22	3	21	51	108	64	21	1	31	70	3		2	64	36	2		
51280E	17	125	3	11	40	169	64	21	38	28	109	43		2	93	39	2		2
51281E	17	75	3	11	6	102	64	39	2	403	49	47		2	65	3	2		2
51282E	17	125	3	11	40	169	64	21	38	28	109	43		2	93	39	2		2
51283E	33	127	5	11	52	108	64	38	24	2	127	43		2	64	43	2		
51284E	17	7	3	21	51	102	64	38	2	4	54	3		2	64	33	2		
51285E	17	125	3	11	40	169	64	21	38	28	109	43		2	93	39	2		2
51286E	17	22	3	21	51	108	64	21	1	31	70	3		2	64	36	2		
51287E	14	37	3	21	51	108	64	21	1	31	108	3		2	66	36	2		
51288E	17	4	3	11	6	102	64	38	2		54	42		2	65	3	2		
51289E	17	125	3	11	40	169	64	21	38	28	109	43		2	93	39	2		2
51290E	17	125	3	11	40	169	64	21	38	28	109	43		2	93	39	2		2
51291E	17	75	3	11	6	102	64	39	2	403	49	47		2	65	3	2		2

Gasket Set: See Page 65.

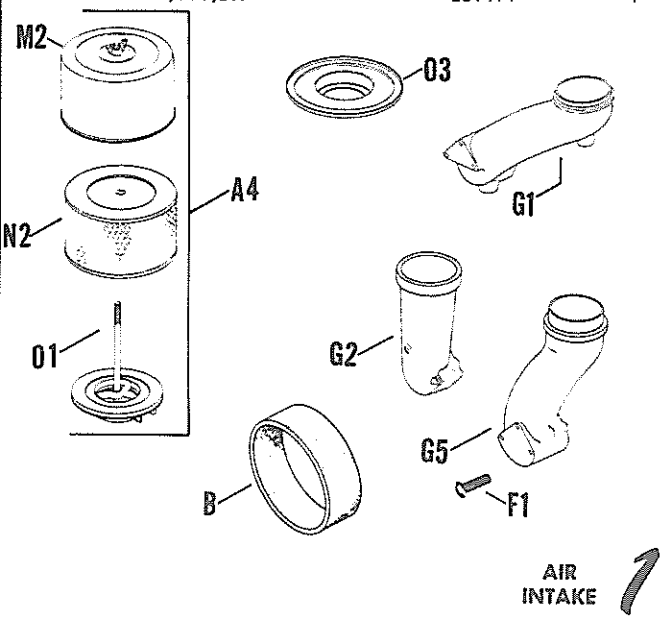
Contact your Kohler engines parts supplier for any specification not listed.

INTAKE

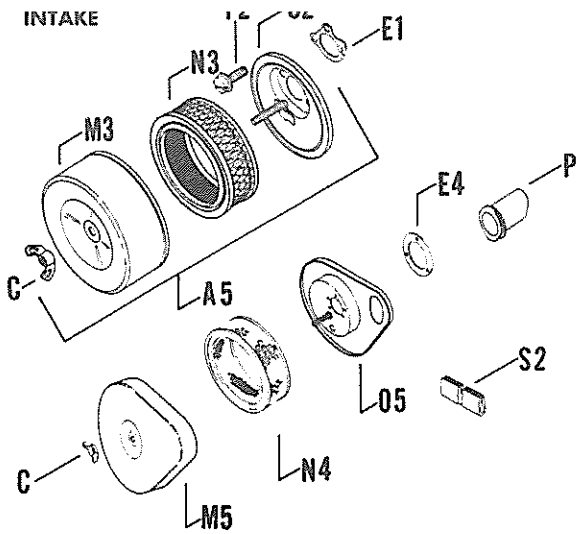


INDEX LTR.	DESCRIPTION VARIATION NUMBER	PART NUMBER	QTY.
Use stock of original part number before ordering replacement.			
A1	Cleaner, air 1,32,203	151834	1
A2	Cleaner, air 3,12,202,206	272461	1
A3	Cleaner, air - assembly (Includes H, J, K & L) 5,204,207	A-230538	1
A4	Cleaner, air - assembly (Includes M2, N2 & O1) 7	A-275789	1
A5	Cleaner, air - assembly (Includes C, M3, N3 & O2) 14,17,30,52,53,209	A-235100	1
B	Precleaner, element (May be used with filter element 235116)	237421	1
C	Nut, wing 14,15,16,17,18,20,24,25, 29,30,31,32,33,34,37,39, 42,47,50,52,53,203,209, 211	X-276-7	1
D	Stud, cleaner 1/4 - 20 x 6-5/8 1,32	210186-1	1
	Stud 1/4 - 20 x 4-7/8 15,24,29,33	235156	1
E1	Gasket, air horn 1,2,3,4,5,6,8,11,12,14, 15,16,17,18,20,24,25,29, 30,31,32,33,34,37,50,51, 52,53,202,203,204,206, 207,208,209,210	275341	1
E2	Gasket, cleaner 1,15,20,24,29,32,33,211	AC-1787	1

E3	Gasket, adapter 7,23	275792	1
E4	Gasket, air horn 39,42,47	47 041 02	1
F1	Screw, H.C. #10 - 32 x 2-1/4 1,2,12,15,20,24,29,32,33, 203,206,211	X-50-37	3
	3,6,202	X-50-37	1
	Screw, H.C. #10 - 32 x 1-1/2 3,6,202	X-50-57	2
	5,204,208	X-50-57	3
	Screw, H.C. #10 - 32 x 2 4	X-50-58	3
F2	Screw, H.C. #10 - 32 x 5/16 14,16,17,18,25,30,31,34, 37,52,53	X-167-2	3
G1	Elbow, air cleaner 1,2,15,20,24,29,32,203 33	235167 236229	1 1
G2	Elbow, air cleaner 3,6,202	275259	1
	51	48 054 08	1
G3	Elbow, air cleaner 5,8,204,207	235553	1
G4	Elbow, air cleaner 7,23	235340	1
G5	Elbow, air cleaner 11,12,206	275714	1
H	Body, upper 5,204,207	232561	1
J	Baffle, air cleaner 5,204,207	231415	1
K	Cup, air cleaner 5,204,207	231414	1

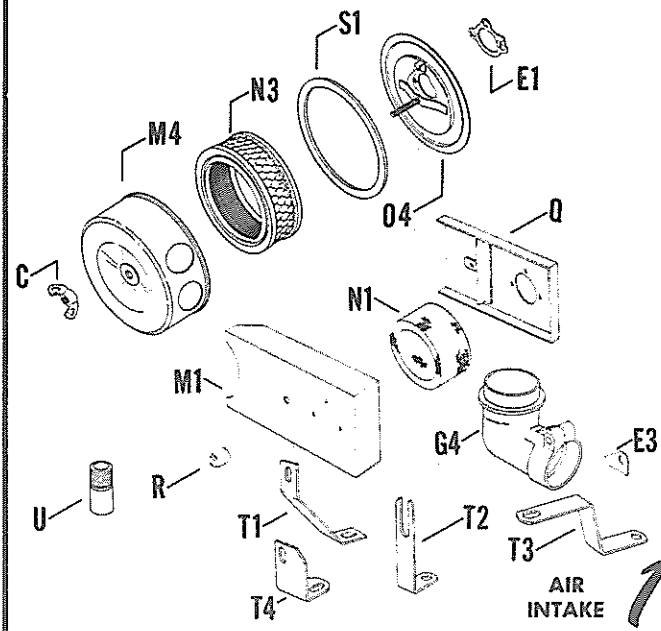


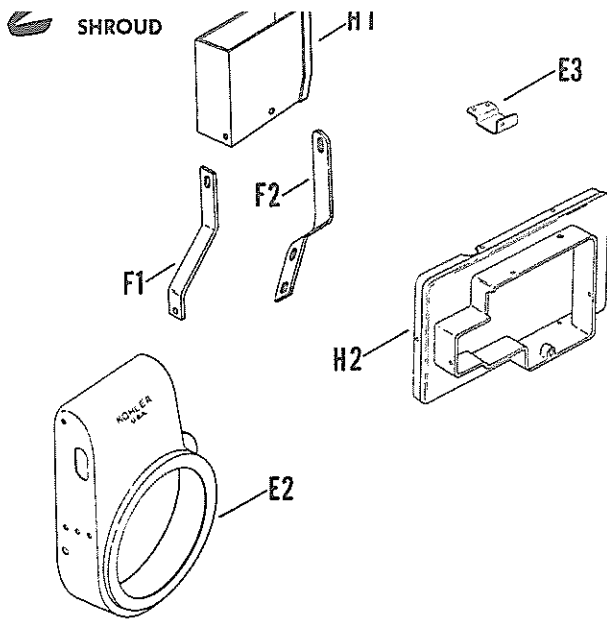
INTAKE



INDEX LTR.	DESCRIPTION VARIATION NUMBER	PART NUMBER	QTY.
L	Fastener, oil cup 5,204,207	231416	1
M1	Cover, heat duct 4	235306	1
M2	Cover, air cleaner 7	267705	1
	211	277142	1
M3	Cover, cleaner 14,15,16,17,18,24,25, 29,30,31,33,34,50,52, 53,208,209,210	235102	1
M4	Cover, cleaner 37	237848	1
M5	Cover, cleaner 39,47	47 082 03	1
	42	47 082 01	1
N1	Element, filter 4	235308	1
N2	Element, filter 7	267502	1
	211	277138	1
N3	Element, filter 14,15,16,17,18,20,24,25, 29,30,31,33,34,37,50,52, 53,209,210	235116	1
N4	Element, filter 39,47	47 083 03	1
	42	47 083 01	1
O1	Base, cleaner 7	267698	1
O2	Base, cleaner 14,16,17,18,25,30,31,34, 50,52,53,208,209,210	235101	1

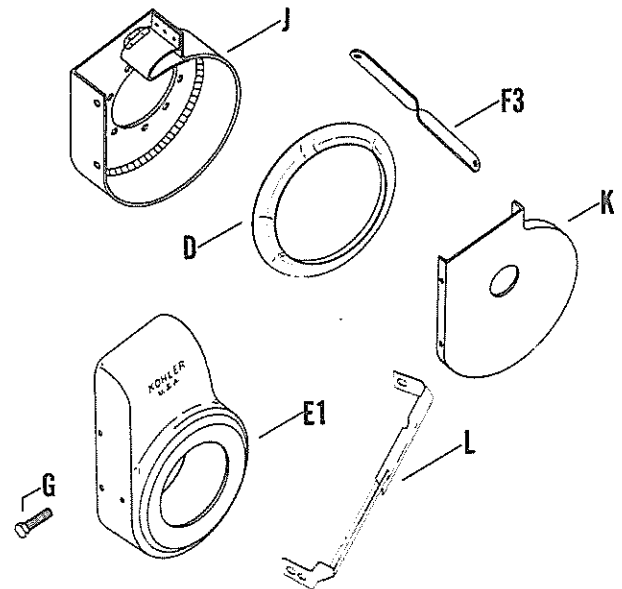
O3	Base, cleaner 15,20,24,29,33,209,211	235123	1
O4	Base, cleaner 37	237424	1
O5	Base, cleaner 39,47	47 094 08	1
	42	47 094 07	1
P	Tube 39,42,47	47 134 02	1
Q	Duct, heat 4	235307	1
R	Spacer 4	X-400-56	1
S1	Seal, air cleaner 37	237423	1
S2	Seal, air cleaner 39,42,47	47 032 03	1
T1	Brace, air cleaner 1,2,15,20,24,29,32,33, 203	235339	1
	12	235291	1
T2	Brace, air cleaner 3	235064	1
T3	Brace, air cleaner 5,8,204,207	235539	1
	7,23	235341	1
	12	235292	1
T4	Brace, air cleaner (Discontinued--Not Available) 11,206	235578	1
U	Nipple 33	X-226-2	1





INDEX LTR.	DESCRIPTION VARIATION NUMBER	PART NUMBER	QTY.
(E1-CONTINUED)			
	78,94,110	236680	1
	83	236690	1
	95	236985	1
	96	236865	1
	100	237030	1
	101	236843	1
	105	237275	1
	123	237519	1
	124	237627	1
	126	237525	1
	140	237890	1
	Housing, blower (Discontinued--Not Available) 11	235163	1
E2	Housing, blower 104,167	237110	1
	144,150	47 027 07	1
	147,152	47 027 05	1
	148	47 027 08	1
	155	47 027 19	1
	158	47 027 27	1
E3	Bracket, duct support 144,147,150,152	47 126 08	1

F1	Bracket, scroll 5,11	235204	1
F2	Bracket, scroll 22,37	235435	1
F3	Bracket, scroll 111	236718	1
G	Screw, hex. hd. 1/4 - 20 x 7/8 52	X-465-1	2
	78	X-465-1	4
	Screw, hex. hd. 1/4 - 20 x 5/8 52	X-465-2	4
	78	X-465-2	2
	Screw, hex. hd. 1/4 - 20 (Use after serial no. 7158393) 144,150,152	47 086 02	1
H1	Duct, air 8,14,22,37,85	235595	1
H2	Duct, air 144,150,152	47 281 06	1
	147	47 281 04	1
J	Scroll 5,8,11,22,85,106	235586	1
	13	235241	1
	14,37	235096	1
	111	236717	1
	125	237475	1

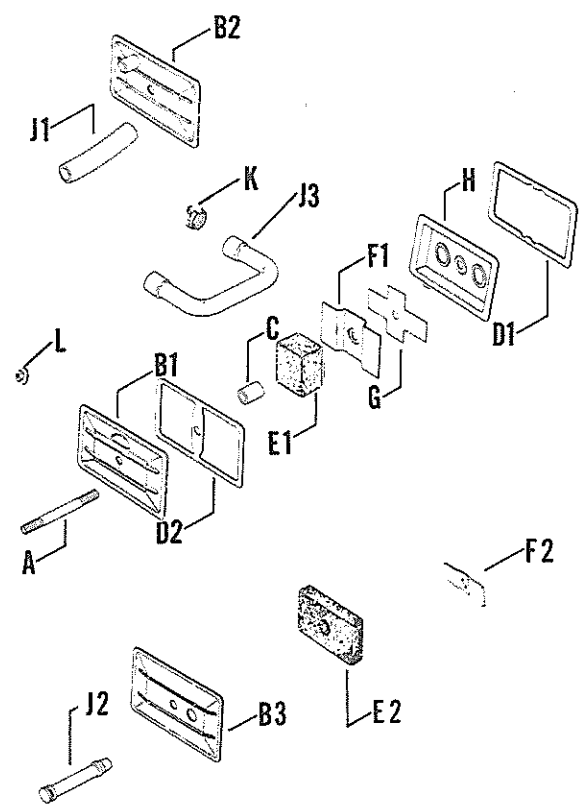


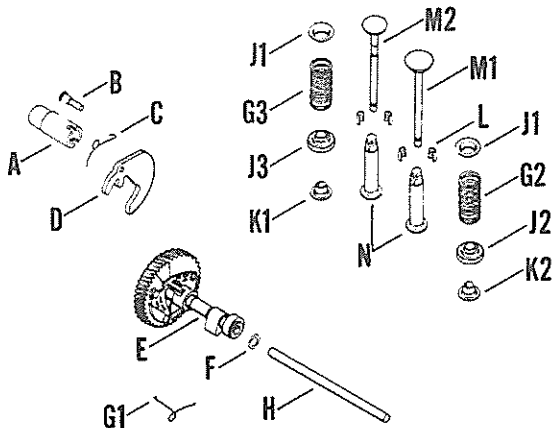
BAFFLES
AND
SHROUD **2**

K	Cover, scroll		
	5,8,22,85	235587	1
	11,14,37,106	235592	1
	13	235240	1
	111	275824	1
	125	237476	1
L	Deflector		
	(Discontinued--Not Available)		
	83	236687	1
	95	236847	1

A	Stud, valve cover		
	1,3,5,6,7	275220	1
	4	235551	1
B1	Cover, valve - assembly		
	(includes 275143 cover,		
	235117 baffle & 235118		
	filter)		
	1	A-235418-S	1
	Cover, valve (Standard)		
	3,4	275143	1
B2	Cover, valve		
	(Closed)		
	5,7	275839	1
B3	Cover, valve (Closed)		
	6	47 096 01	1
C	Seal, breather		
	1,3,4,5,6,7	231032	1
D1	Gasket, breather plate		
	1,3,4,5,6,7	235048	1
D2	Gasket, valve cover		
	3,4,5,6,7	275144	1
E1	Filter		
	3,4,5,7	235118	1
E2	Filter		
	6	47 050 01	1
F1	Baffle		
	3,4,5,7	235117	1
F2	Stop, breather reed		
	6	270146	1
G	Reed, breather		
	1,3,4,5,6,7	235047	1
H	Plate, breather		
	1,3,4,5,6,7	235631	1
J1	Hose 1/2 I.D. x 3-1/8		
	5	X-484-2	1
J2	Hose, breather		
	6	47 326 01	1
J3	Hose		
	7	47 326 02	1
K	Clamp, hose		
	7	X-429-3	1
	Clamp, hose		
	7	X-429-9	1
L	Palnut 1/4-20		
	7	X-799-1	1

3 BREATHER AND VENT



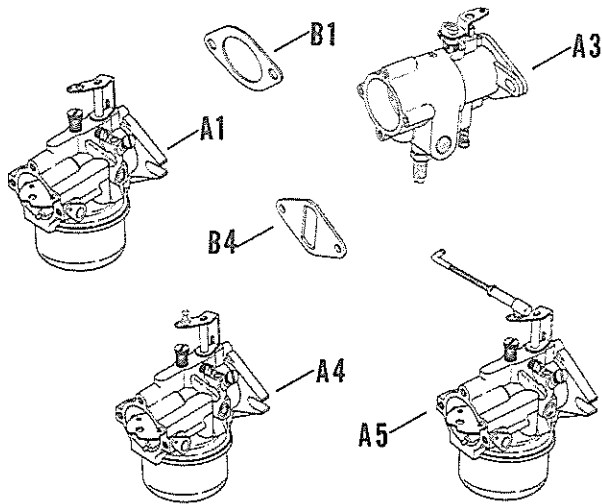


INDEX LTR.	DESCRIPTION VARIATION NUMBER	PART NUMBER	QTY.
<div style="border: 1px solid black; padding: 5px; width: fit-content; margin: 0 auto;"> Parts identified by Index Letters A thru D were used on engines prior to spec suffix "D". </div> <div style="border: 1px solid black; padding: 5px; width: fit-content; margin: 5px auto;"> Use stock of original part number before ordering replacement. </div>			
A	Cam, ignition (Magneto)	235188	1
	Cam, ignition (Battery)	235690	1
B	Pin, flyweight	230080	2
C	Spring, governor	275267	2
D	Flyweight, spark advance	230087	2
E	Camshaft - assembly (Includes G1) (Used on engines with "C" or lower spec. suffix) 1,3,5,11,12,13,14,15,17,21	J-235675	1
	Camshaft - assembly (Includes G1) (Used on engines with "D" or higher spec. suffix)	J-235646	1
	Camshaft - assembly 20	H-237664	1
	Camshaft - assembly (Replaced by 45 010 04) (Includes G) 22	45 010 01	1
F	Spacer, camshaft .005 ALL	275066	A.R.
	Spacer, camshaft .010 ALL	275067	A.R.

G1	Spring, actuating ALL (except 20)	47 089 01	1
G2	Spring, intake valve 1,3,5,11,12,13,14,20,21,22	235010	1
	15,17	235168	1
G3	Spring, exhaust valve 1,5,12,13,21	235010	1
	3,11,14,15,17,20	235168	1
H	Pin, camshaft ALL	235053	1
J1	Retainer, spring upper ALL	235011	2
J2	Rotator, intake valve spring 15,17	230020	1
J3	Rotator, exhaust valve spring 3,11,14,15,17,20	230020	1
K1	Retainer, exhaust valve spring 1,5,12,13,21	230011	2
K2	Retainer, intake valve spring 1,3,5,11,12,13,14,20,21,22	230011	1
L	Kit, retainer ALL	41 755 10	2
M1	Valve, intake 1,3,5,11,12,13,14,20,21,22	235008	1
	Valve, intake (Stellite) 15,17	235582	1
M2	Valve, exhaust 1,5,12,13,22	235826	1
	Valve, exhaust (Stellite) 3,11,14,15,17,20,21	235838	1
N	Tappet - assembly ALL	D-235327	2

Automatic Compression Release Camshafts

Parts "A" through "D" are the only serviceable parts for the old style camshaft assembly (A-235155). If replacement of a complete camshaft is necessary, the Automatic Compression Release Camshaft J-235675 or J-235646 should be used.



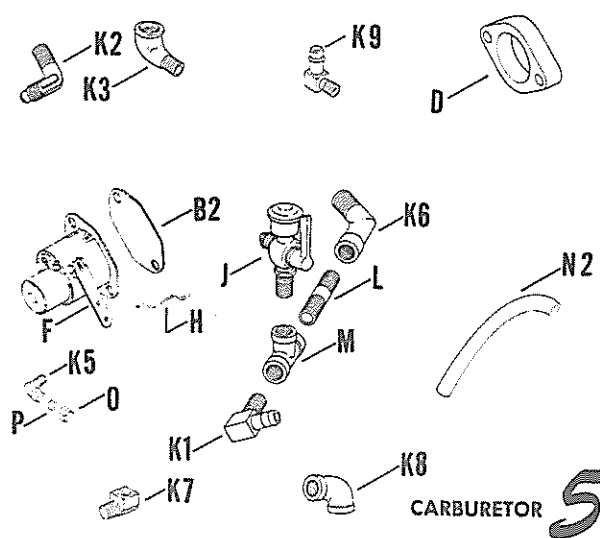
INDEX LTR.	DESCRIPTION VARIATION NUMBER	PART NUMBER	QTY.
------------	------------------------------	-------------	------

Use stock of original part number before ordering replacement.

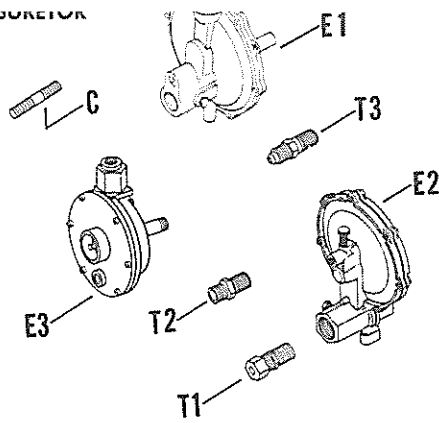
A1	Carburetor - assembly (Replaced by 47 053 14) (Grid B10) 1,20,25,33,50,603	A-237003	1
	Carburetor - assembly (Grid B10) 2,3,5,11,40,52,66	E-235501	1
	6,7,26,31	E-235517	1
	8	A-236271	1
	28,59	A-235580	1
	57	A-237918	1
	Carburetor - assembly (Replaced by 47 053 12) (Grid B10) 15,16,19,23,29,30,34, 37,54	E-235058	1
	Carburetor - assembly (Replaced by 47 053 13) (Grid B10) 10,22,27,35,36,39,41, 42,45,47,600	A-237772	1
	Carburetor - assembly (Grid B10) 74	47 053 29	1
A2	Carburetor (Not Shown)* 4	A-235502	1
	13	A-275364	1
A3	Carburetor - assembly (Grid B11) 44,51,53,55,60	A-237208	1

*Replacement parts not available.

A4	Carburetor - assembly (Grid B10) 61	47 053 07	1
	62,70	47 053 08	1
A5	Carburetor - assembly (Grid B10) 63,65	47 053 13	1
	64	47 053 19	1
B1	Gasket, carburetor ALL (except 61,62,63,64)	271030	1
	64	47 041 03	1
B2	Gasket, choke 2,3,5,8,11,40,52,66	240285	1
B3	Gasket 3,5,7,26,31	270550	1
B4	Gasket, carburetor 61,62,63,70	47 049 01	1
C	Stud, carburetor 4,13	220304	2
D	Flange, carburetor 4,13	275793	1
E1	Regulator, gas (Includes 151377 filter) 3,5,7,11,13,26,31,51, 53,55	B-230695	1
E2	Regulator, gas 4	A-240492	1
E3	Regulator, gas 44,60	B-220578	1
F	Choke, automatic 2,3,5,8,11	230426	1
	66	47 175 01	1
	Choke, automatic (Replaced by 238095) 40,52	235776	1

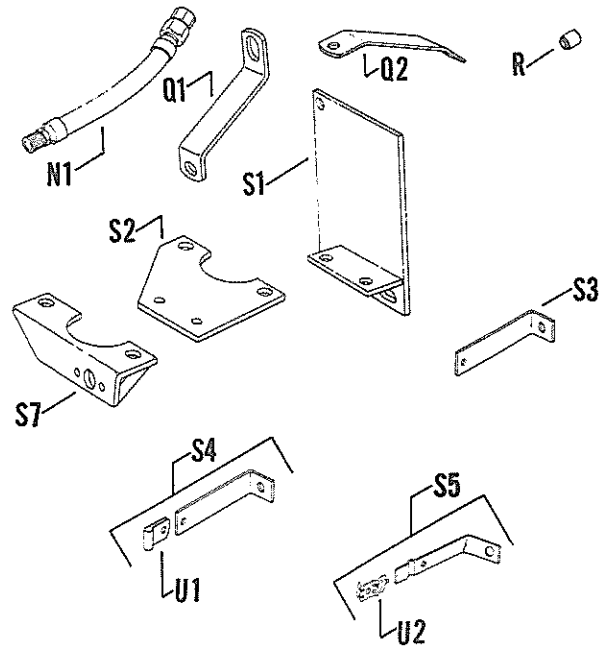


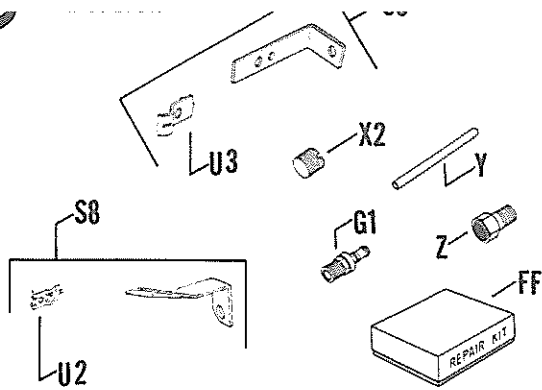
CARBURETOR 5



INDEX LTR.	DESCRIPTION VARIATION NUMBER	PART NUMBER	QTY.
G1	Fitting, hose 51	X-652-1	1
G2	Fitting, hose 51,55	X-653-1	1
H	Linkage, choke 2,3,5,8,11,40,52,66	235466	1
J	Cup, fuel 28	X-376	1
K1	Elbow, hose 90° 1,2,3,5,6,7,8,10,11,20,22, 23,27,28,30,33,34,35,36, 40,41,42,45,47,50,52,54, 57,59,61,63,64,65,66,70, 74,600,603	X-391-1	1
K2	Elbow 90° 3,7,11,26 44,60	X-447-5 X-447-6	1 1
K3	Elbow, street 90° 4 4 5,31 51,53 53	SA-472 X-211-10 S-404 X-274-9 X-211-8	1 1 1 1 1
K4	Elbow, compression 4 13	A-822 A-822	3 2
K5	Elbow 90° 16,25,29,37	231510	1
K6	Elbow, street 45° 28	X-274-8	1
K7	Elbow, street 90° 44,60	X-555-1	1

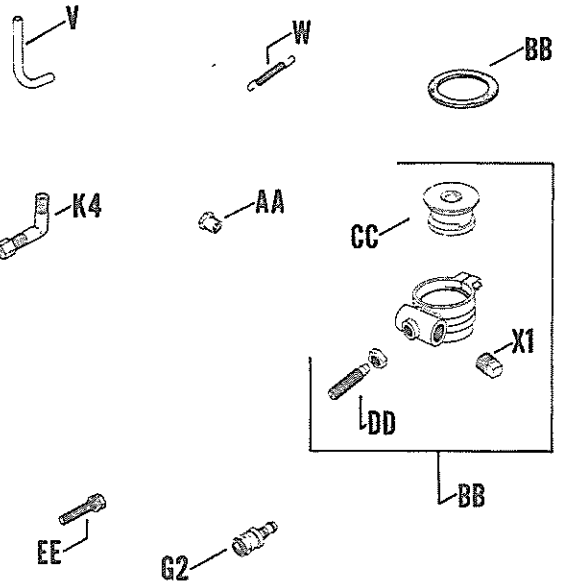
K8	Elbow, street 90° 53	X-215-9	1
K9	Elbow, hose 90° 62	X-391-12	1
L	Nipple 3/8 x 3-1/2 4,13	153675	1
	Nipple 3/8 x 5 5,31	X-204-12	1
	Nipple 1/8 x 3/4 28	X-217-11	1
	Nipple 3/8 x 2 53	X-204-6	1
	Nipple 1/4 x 7/8 53	X-220-5	1
M	Tee, pipe 28	X-203-10	1
N1	Hose, flexible 12-1/4 3,7,26	235171	1
	Hose, flexible 12-3/16 5,31,53	241041	1
	Hose, flexible 11 11	271178	1
	Hose, flexible 9 44,60	247055	1
	Hose, flexible 15 55	X-446-6	1
N2	Hose, rubber 6-1/2 51	X-651-14	1





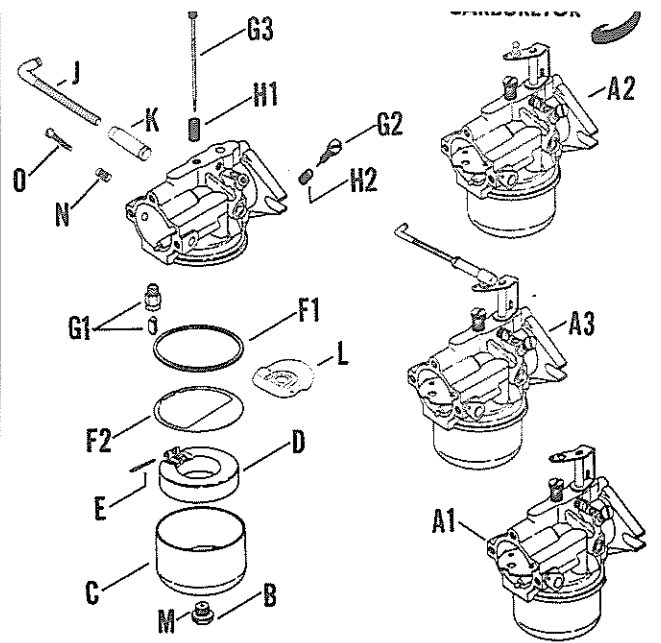
INDEX LTR.	DESCRIPTION VARIATION NUMBER	PART NUMBER	QTY.
0	Nut 15,16,25,37	220786	1
P	Sleeve 15,16,25,37	220547	1
Q1	Brace, regulator 11	235593	1
Q2	Brace, regulator 13	235124	1
R	Spacer 11	X-400-36	2
S1	Bracket, regulator 3,5,7,26,31,51,53,55	231471	1
S2	Bracket, regulator 11	235755	1
S3	Bracket, choke 10,15,19	235056	1
	20	235073	1
	33,603	235374	1
S4	Bracket, choke - assembly (Includes 210149 clip) 16,22,23,54	A-237075	1
S5	Bracket, choke - assembly (Includes 235603 clip) 27,29,30,47,57	A-236918	1
	35,36,37,39,42,63,74,600	A-236919	1
S6	Bracket, choke - assembly (Includes 235778 clip) 41,65	A-236921	1
S7	Bracket, regulator 44,60	236449	1
S8	Bracket, choke - assembly (Includes X-689-1 clip) 45	A-236920	1
T1	Connector 4	X-258-5	1
T2	Connector 15	231509	2

T3	Connector 51,55	X-296-2	1
U1	Clip 10,15,16,19,20,22,23,54	210149	1
U2	Clip 27,29,30,35,36,37,39,42, 47,57,74,600	235603	1
	45	X-689-1	1
U3	Clip 41	235778	1
V	Tube, air vent 4	275794	1
W	Spring 4,13	152631	1
X1	Plug, pipe 3/4 3,5,7,11,26,31	X-75-6	1
X2	Plug, pipe 26,31	X-75-17	1
Y	Tubing 8 4	X-208-15	1
	Tubing 9 13	X-208-13	1
Z	Filter 5,7	151377	2
	13	151377	1



CARBURETOR **5**

AA	Bushing 1/2 x 3/8 3,5,7,11,26,31	X-202-28	1
	Bushing 3/4 x 3/8 4	X-202-31	1
	Bushing 1/4 x 3/8 51,53,55	X-202-30	1
BB	Adapter, carburetor-assem. (Includes X1,CC & DD) 3,5,7,11,26,31	A-235659	1
CC	Venturi 3,5,7,11,26,31	270661	1
DD	Valve, adapter 3,5,7,11,26,31	270662	1
EE	Screw, slotted sems hex. hd. 5/16 - 18 x 1 ALL (except 4,13,601,602)	X-770-1	2
	Screw, sems hex. hd. x/plain washer 3,26,31,51,53,55	X-776-1	1
	11	X-776-1	2
FF	Repair kit, carburetor (Discontinued--Not Available) 4,13	275414	1



INDEX LTR.	DESCRIPTION VARIATION NUMBER	PART NUMBER	QTY.
------------	------------------------------	-------------	------

Use stock of original part number before ordering replacement.

All includes 1,2,3,5,6,7,8,10,11,15,16,19,20,22,23,25,26,27,28,29,30,31,33,34,35,36,37,39,40,41,42,45,47,50,52,54,57,59,61,62,63,64,65,66,70,600,601,602 and 603.

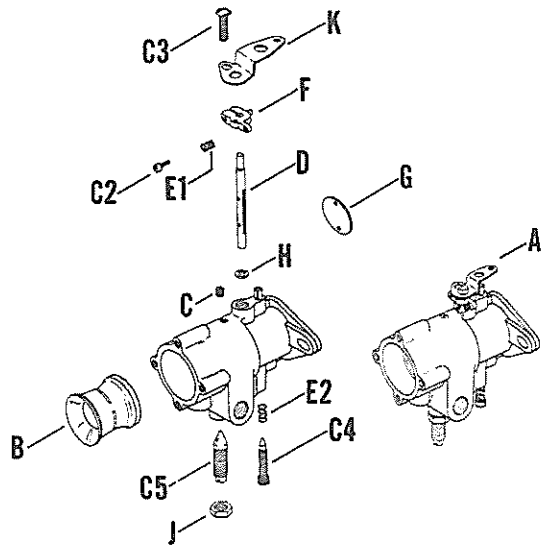
A1	Carburetor - assembly (Replaced by 47 053 14) (Includes B thru H2) 1,20,25,33,50,603	A-237003	1
	2,3,5,11,40,52,66	E-235501	1
	6,7,26,31	E-235517	1
	8	A-236271	1
	28,59	A-235580	1
	57	A-237918	1
	Carburetor - assembly (Replaced by 47 053 12) (Includes B thru H2) 15,16,19,23,29,30,34, 37,54	E-235058	1
	Carburetor - assembly (Replaced by 47 053 13) (Includes B thru H2) 10,22,27,35,36,39,41,42, 45,47,600	A-237772	1
	Carburetor - assembly (Includes B thru H2) 601	47 053 14	1
	602	47 053 12	1
	Carburetor - assembly (Includes B thru H2, M) 74	47 053 29	1

INDEX LTR.	DESCRIPTION VARIATION NUMBER	PART NUMBER	QTY.
A2	Carburetor - assembly (Includes B thru H2) 61	47 053 07	1
	62,70	47 053 08	1
A3	Carburetor - assembly (Includes B thru K) 63,65	47 053 13	1
	Carburetor - assembly (Includes B thru L) 64	47 053 19	1
B	Screw, bowl retainer (Replaced by 47 100 04) 1,8,10,15,16,19,20,22,23, 25,27,28,29,30,33,34,35, 36,37,39,41,42,45,47,50, 54,57,61,62,63,64,65,70, 74,600,601,602,603	235447	1
	2,3,5,6,7,11,26,31,40,52, 66	200420	1
C	Bowl 1,8,10,15,16,19,20,22,23, 25,27,29,30,33,34,35,36, 37,39,41,42,45,47,50,54, 57,61,62,63,65,70,74,600, 601,602,603	235448	1
	28,64	236317	1
	Bowl 2,3,5,6,7,11,26,31,40, 52,66	200418	1
D	Kit, float ALL	25 757 03	1
E	Pin, float hinge ALL	200376	1
F1	Gasket, bowl ALL	200375	1

F2	Gasket, bowl baffle ALL	25 041 02	
G1	Needle and seat Available only in Carburetor Repair Kit		1
G2	Needle, idle fuel adjusting ALL	235006	1
G3	Needle, main fuel adjusting 1,8,10,15,16,19,20,22,23, 25,27,28,29,30,33,34,35, 36,37,39,41,42,45,47,50, 54,57,61,62,63,65,70,74, 600,601,602,603	235415	1
	Needle, main fuel adjusting 2,3,5,6,7,11,26,31,40, 52,66	200442	1
	64	47 103 01	1
H1	Spring, main fuel adjusting needle ALL	200383	1
H2	Spring, idle fuel adjusting needle ALL	200380	1
J	Rod, ball joint 63,64,65	235277	1
K	Ball joint 63,64,65	45 208 03	1
L	Spring 64	236319	1
M	Gasket, bowl retainer screw ALL	200372	
N	Spring, idle screw 74	232555	1
O	Screw, idle adj. 74	232556	1
	Repair kit (Includes bowl nut gasket, bowl ring gasket, bowl baffle gasket, needle and seat gasket and float pin) ALL (except 62,70)	231555	1
	62,70	221519	1

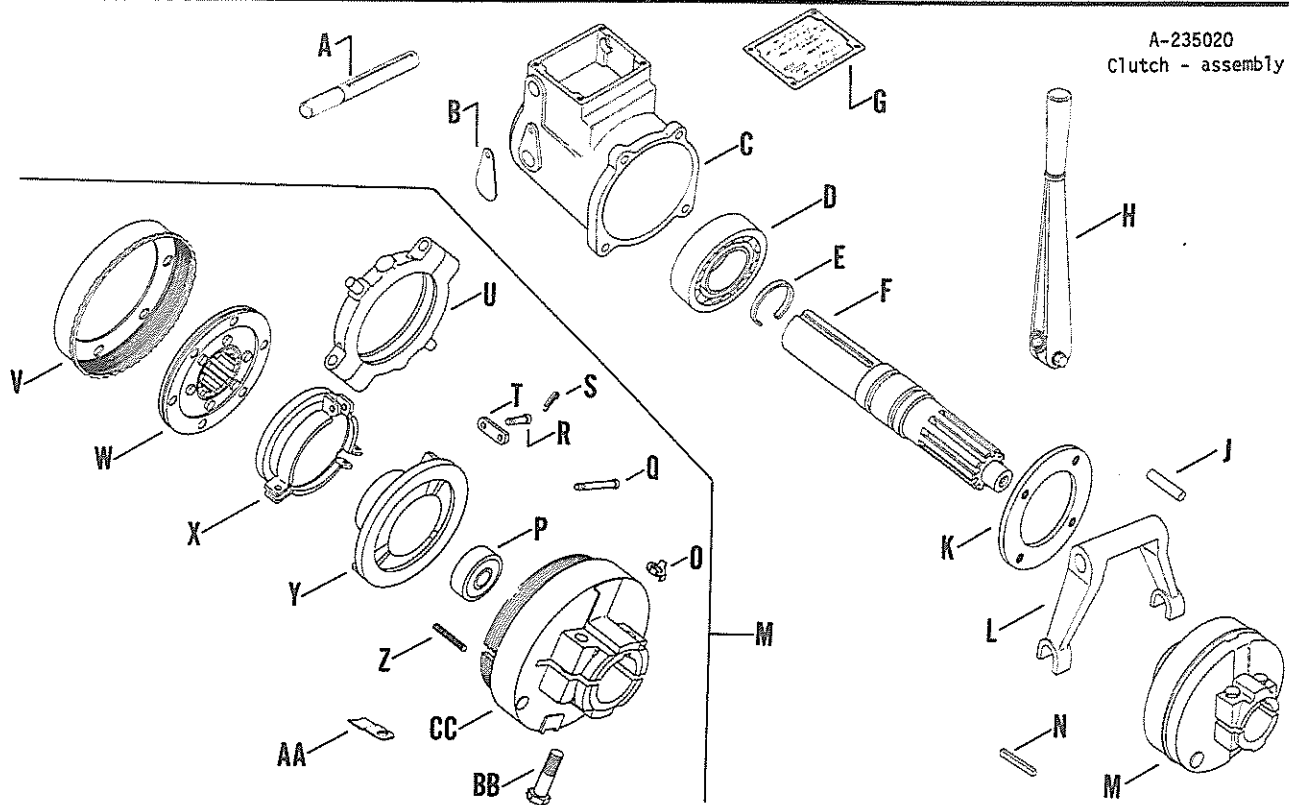
INDEX LTR.	DESCRIPTION VARIATION NUMBER	PART NUMBER	QTY.
Use stock of original part number before ordering replacement.			
A	Carburetor - assembly (Includes B thru P) 44,51,53,55,60	A-237208	1
B	Venturi 44,51,53,55,60	236671	1
C1	Screw, venturi set 44,51,53,55,60	X-60-1	1
C2	Screw, idle stop 44,51,53,55,60	236554	1

C3	Screw, throttle lever 44,51,53,55,60	221503	1
C4	Screw, idle adjustment 44,51,53,55,60	234206	1
C5	Screw, load adjustment 44,51,53,55,60	236552	1
D	Shaft (Discontinued--Not Available) 44,51,53,55,60	236667	1
E1	Spring, idle stop 44,51,53,55,60	234208	1
E2	Spring, idle adjustment 44,51,53,55,60	234208	1
F	Arm, cast 44,51,53,55,60	236670	1
G	Plate (Discontinued--Not Available) 44,51,53,55,60	236668	1
H	Seal, felt (Discontinued--Not Available) 44,51,53,55,60	236669	1
J	Nut, load adjustment lock (Discontinued--Not Available) 44,51,53,55,60	236553	1
K	Lever, throttle 44,51,53,55,60	275228	1



CARBURETOR **5**

A-235020
Clutch - assembly



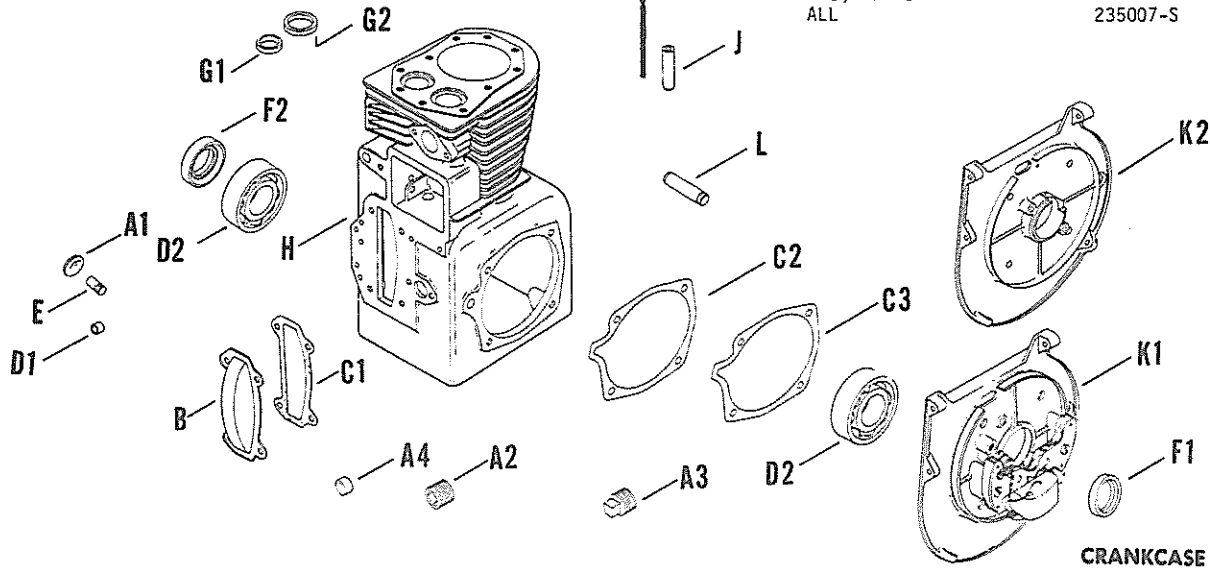
INDEX LTR.	DESCRIPTION VARIATION NUMBER	PART NUMBER	QTY.	INDEX LTR.	DESCRIPTION VARIATION NUMBER	PART NUMBER	QTY.
A	Shaft, yoke 1	274117	1	L	Yoke, clutch 1	A-234027	1
B	Cover, grease fitting 1	234088	1	M	Clutch - assembly (Includes O thru CC) 1	A-234093	1
C	Housing, power take-off 1	234086	1	N	Key 1	X-286-11	1
D	Bearing, ball 1	234090	1	O	Lock, screw 1	234057	2
E	Ring, retaining 1	230305	1	P	Bearing 1	212135	1
F	Shaft, drive 1	234091	1	Q	Pin, link (long) 1	234051	3
G	Cover, nameplate 1	234087	1	R	Pin, link (short) 1	234052	3
H	Lever, shifting 1	A-234026	1	S	Pin, cotter 1	X-36-4	6
J	Pin, roll 1	274101	2	T	Link, connecting 1	234050	6
K	Plate, bearing retainer 1	234092	1	U	Bearing, release 1	A-234066	1

INDEX LTR.	DESCRIPTION	VARIATION NUMBER	PART NUMBER	QTY.
V	Ring, adjusting 1		234068	1
W	Member, driven 1		A-234061	1
X	Sleeve, release 1		A-234064	1
Y	Plate, pressure 1		A-234062	1
Z	Spring 1		234055	3
AA	Lock, adjusting 1		234060	1
BB	Screw, hex. hd. 5/16 - 18 1		234114	1
CC	Housing, clutch 1		234094	1

7 CRANKCASE

INDEX LTR.	DESCRIPTION	VARIATION NUMBER	PART NUMBER	QTY.
<div style="border: 1px solid black; padding: 5px; display: inline-block;"> Use stock of original part number before ordering replacement. </div>				
A1	Plug, expansion ALL		X-230-11	1
A2	Plug, pipe (Replaced by 47 139 01) 13,37,43,62,73,82,83,87, 101,104,108,141,147,149, 168,173,175,195,200		X-75-31	2
	Plug, pipe hex. ctsk. 3/4 202		47 139 01	2
A3	Plug, pipe 17,59		X-75-18	1

VARIATION NUMBER	NUMBER	QTY.
A4	Plug 175,181,184,200	X-702-3 2
	Plug, cup 203	X-702-12 1
B	Cover, camshaft ALL (except 200) 200,203	235026 1 237623 1
C1	Gasket, camshaft cover ALL	235025 1
C2	Gasket, bearing plate .010 ALL	235070 A.R.
C3	Gasket, bearing plate ALL	235757 1
D1	Bearing ALL	234866 1
D2	Bearing, ball ALL	235376 2
E	Shaft, governor ALL	235125-S 1
F1	Seal, front oil (Replaced by 47 032 06) ALL (except 202,203,206)	X-271-30 1
	Seal, front oil 202,203,206	47 032 06 1
F2	Seal, rear oil (Replaced by 47 032 07) ALL (except 75,100,125, 126,142,176,202,203,206)	X-379-9 2
	75,100,125,126,142,176	X-379-9 2
	Seal, rear oil 202,203,206	47 032 07 1
G1	Insert, exhaust valve ALL	230170 1
G2	Insert, intake valve 13,26,28,37,39,62,63,82, 83,104,108,147,160,169, 175,195	230265 1
H	Cylinder Block Service with either a Short Block or Miniblock	
J	Guide, valve ALL	235007-S 2



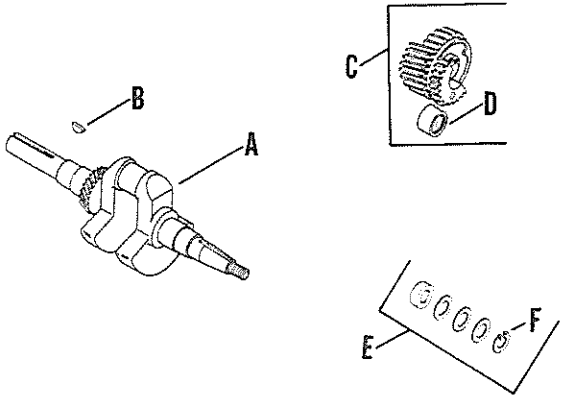
ITEM NUMBER	DESCRIPTION	NUMBER	QTY
K1	Plate, bearing assembly 1,2,3,4,6,7,8,12,14,17, 19,22,27,31,57,60	A-235061	1
	Plate, bearing - assembly (Discontinued--Not Available) 68	A-235635	1
K2	Plate, bearing 9,13,16,20,21,26,28,30,36, 37,43,50,55,62,70,71,73, 80,82,83,87,89,101,102,104, 105,108,109,149,154,158, 166,169,173	45 156 01	1
	40,53,58,59,61,64,100,171	235354	1
	75,90,126	235998	1
	141,142,147,151,156,164, 170,174,175,176,178,181, 183,184,185,186,187,200, 203,206	45 156 02	1
	195,202	45 156 03	1
	Plate, bearing (Replaced by 45 156 01) 15,39	235062	1
	125,137	236384	1
	Plate, bearing (Replaced by 45 156 02) 144,160,167,168	236488	1
L	Shaft, balance gear ALL	236559	2

For description of crankshaft power take-off end, refer to ENS-708 crankshaft publication.

Use stock of original part number before ordering replacement.

ITEM NUMBER	DESCRIPTION	NUMBER	QTY
A	Crankshaft		
	2	A-235387	1
	5	A-235391	1
	8	A-235394	1
	9	A-235396	1
	12	A-235397	1
	13	A-235403	1
	1,17	A-235406	1
	19	A-235408	1
	21	A-235246	1
	22	A-235409	1
	24	A-235076	1
	26	A-235559	1
	27,44	B-235613	1
	30	A-235326	1
	31	A-235331	1
	42	A-235555	1
	47	B-235655	1
	52,76	B-235793	1
	53,62	B-235711	1
	54	B-235791	1
	55	A-236206	1
	56,71	B-235662 (1)	1
	57,77	B-235782	1
	58	B-236212	1
	59	B-235775 (2)	1
	63	B-236365	1
	64	B-236358 (3)	1
	65	A-236359	1
	66,73	B-236362 (4)	1
	68	B-236356	1
	75	B-236774	1

8 CRANKSHAFT



8 CRANKSHAFT

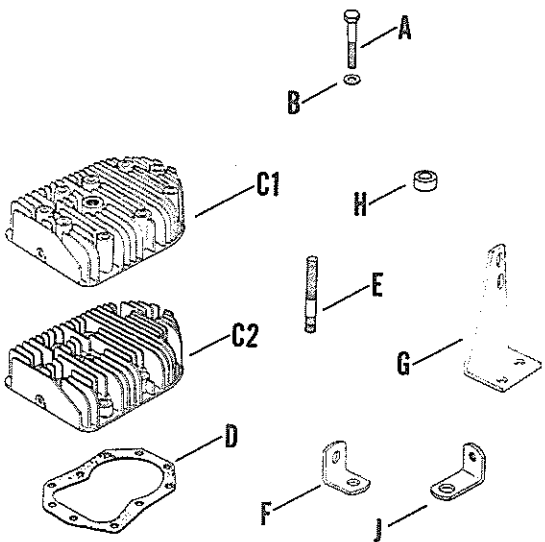
- (1) Standard
- (2) Gear Reduction
- (3) Generator Set
- (4) Standard-tapped

(A-CONTINUED NEXT PAGE)

LTR.	VARIATION NUMBER	NUMBER	QTY.	LTR.	VARIATION NUMBER	NUMBER	QTY.
(A-CONTINUED)							
	80	B-236364	1				
	81,86	B-237077	1				
	83	B-237118	1	A			
	88	B-237572	1		Screw, hex. hd. 3/8 - 16 x 2-1/4 1,6,10,16	271077	7
	90	47 014 03	1		2,12	271077	9
	Crankshaft (Discontinued--Not Available)				5,15	271077	8
	38	A-235413	1		Screw, hex. hd. 3/8 - 16 x 2-1/2 1,6,10,16	235175	2
	91	47 014 07	1		5,15	235175	1
B	Key 52	X-44-1	1		17,20,21,22,23,26, 27,31	235175	9
C	Gear - assembly (Includes D) (Order spacer kit 47 755 01 when replacement spacers are required) 71,73,81,91	A-236507	2		25	235175	7
D	Bearing, needle 71,73,81,91	236506	2		52	235175	6
E	Kit, spacer (Includes F) 71,73,81,91	47 755 01	1		Screw, hex. hd. 3/8 - 16 x 1-1/2 32,55	270158	9
F	Retainer 71,73,81,91	X-269-34	2		33,41,50	270158	7
					35,39,40,58	270158	6
					36	270158	4
					37,42,45,48,900	270158	3
					38,46,53	270158	8
					43,44,56	270158	5
					54	270158	2

Use stock of original part number before ordering replacement.

9 CYLINDER HEAD



9 CYLINDER HEAD

					Screw, hex. hd. 3/8 - 16 x 1-3/4 38,39,40,48,50,58	270721	1
				B	Washer, flat 1,2,5,6,10,12,15,16,25,32, 33,35,36,37,39,41,42,44,45, 46,48,54	270889	9
					17,20,21,22,23,26,27,31, 38,40,43,52,53,55,56,58	270889	10
					42,900	270889	12
					50	270889	11
				C1	Head, cylinder (Use 236675 after serial no. 3184999) 1,2,5,6,10,12,15,16,20, 21,22,23,25,26,27,31	236546	1
					Head, cylinder 17,52	235475	1
				C2	Head, cylinder 32,33,35,36,37,38,39,40, 41,42,43,44,45,46,48,50, 53,54,55,56,58,900	236675	1
				D	Gasket, cylinder head ALL	237658	1

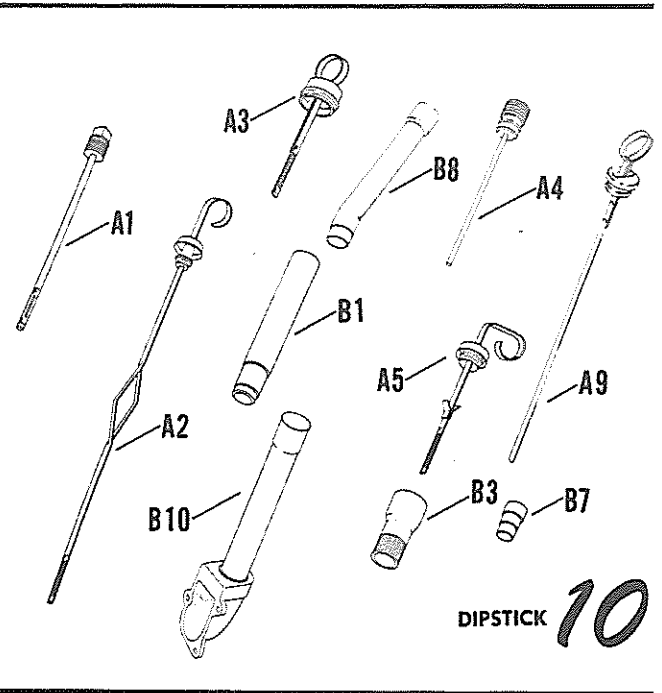
E	Stud, head (Replaced by 237522)		
	25	235679	2
	35	235679	3
	46	235679	1
	Stud, head 33,39,58	237522	2
	36	237277	5
	37	237522	6
	40,41	237277	2
	42,45,900	237277	6
	43,56	237522	4
	44	237277	4
	48	237522	5
	50,53	237522	1
	52	237277	3
	54	237277	7

F	Strap, lifting 17,20,21,22,23,25,26,27, 31,36,37,41,42,43,44,45, 52,53,900	235748	1
	38,39,40,48,54	236742	1
	55,56,58	47 445 01	1

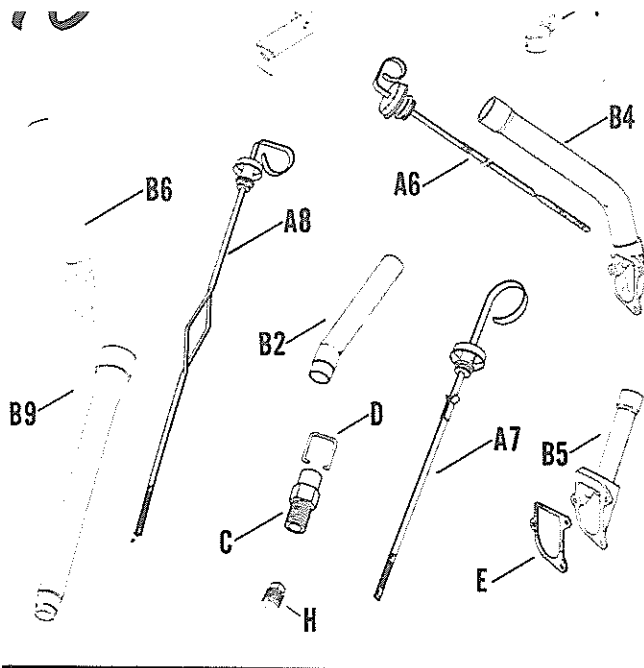
G	Bracket, exhaust pipe 6	244978	1
	16,27	235140	1

H	Spacer 33	X-400-26	2
	36	X-400-71	5
	37,42,43,900	X-400-71	4
	37	X-400-83	2
	37,39,41,58,900	X-400-71	2
	44	X-400-91	4
	45	X-400-71	6
	48	X-400-91	5
	50,53,56	X-400-71	1
	54	X-400-71	7

J	Bracket, baffle mounting 50	47 126 04	1
---	--------------------------------	-----------	---



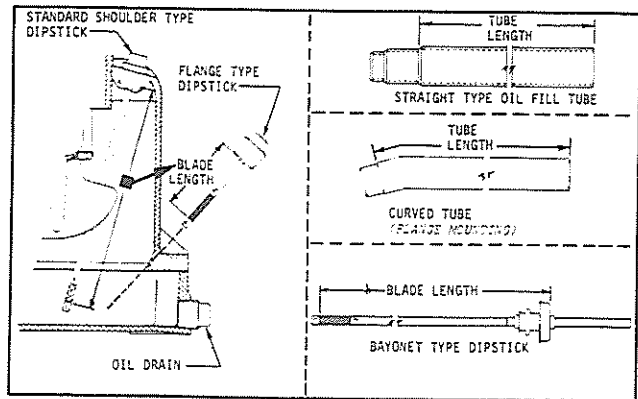
INDEX LTR.	DESCRIPTION VARIATION NUMBER	PART NUMBER	QTY.
Use stock of original part number before ordering replacement.			
A1	Dipstick 2-1/4" blade 1	A-235092	1
	Dipstick 8-7/8" blade 4	A-235320	1
	Dipstick 7-25/32" blade (Replaced by 235444) 8	A-235444	1
	Dipstick 8-3/32" blade 48	235747	1
A2	Dipstick 16-23/32" blade 2	A-235068	1
	9	A-235543	1
	Dipstick 14-7/8" blade 3,13	A-235333	1
	12	A-235620	1
	Dipstick 12-21/32" blade 18	236583	1
	Dipstick 15-7/8" blade 22	236703	1
	Dipstick 15-7/16" blade 39	237797	1
A3	Dipstick 3-1/2" blade 6	A-235427	1

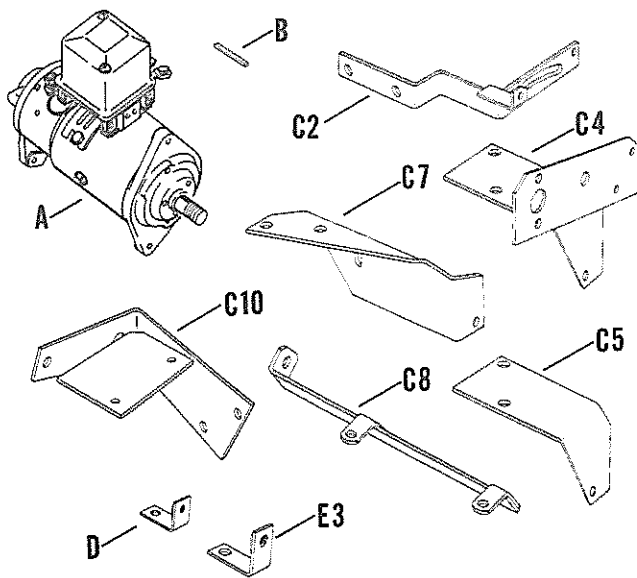


INDEX LTR.	DESCRIPTION VARIATION NUMBER	PART NUMBER	QTY.
A4	Dipstick 7-1/4" blade (Use 235747 on block with threaded hole) 14,33	A-237150	1
A5	Dipstick 4-3/8" blade 24	237013	1
	Dipstick 3-5/16" blade 38	237552	1
A6	Dipstick 13-57/64" blade 30	237086	1
	Dipstick 14-1/2" blade 34	237052	1
A7	Dipstick 10-1/4" blade 31	237015	1
	Dipstick 8-13/16" blade 37	A-235985	1
A8	Dipstick 8-11/16" blade 40	236837	1
	Dipstick 15-59/64" blade 44	47 038 06	1
	50	47 038 05	1
A9	Dipstick 13-55/64" blade 45,46	47 038 04	1
	Dipstick 7-5/8" blade 49	237932	1
	Dipstick 6-3/4" blade 600	237620	1
B1	Tube, oil fill 7-1/2" 2,9	275875	1
	Tube, oil fill 6-3/4" 3,12	235335	1

B2	Tube, oil fill 6-21/32" 13,22	235895	1
	Tube, oil fill 4-1/4" 18	236382	1
B3	Tube, oil fill 1-27/32" 24,38	237012	1
B4	Tube, oil fill 9-3/8" 30	237080	1
B5	Tube, oil fill 4-1/4" 31,40	236960	1
B6	Tube, oil fill 9-11/32" 34	236964	1
B7	Tube, oil fill 9/16" 37	232656	1
B8	Tube, oil fill 7-5/32" 39	236465	1
B9	Tube, oil fill 8-5/8" 44,50	47 123 03	1
B10	Tube, oil fill 9" 45,46	47 180 03	1
C	Adapter, dipstick 1-1/8" 6	235428	1
D	Wire, bail 6	235429	1
E	Gasket 30,31,34,40,45,46	237064	1
F	Clamp 46	X-785-1	1
G	Bracket, tube (Use after serial no. 7158393) 46	47 126 11	1
H	Plug, pipe sq. hd. 3/4" 54	X-75-6	1

DIPSTICK AND OIL FILL TUBE DETAILS





MOTOR GENERATOR - 12 VOLT

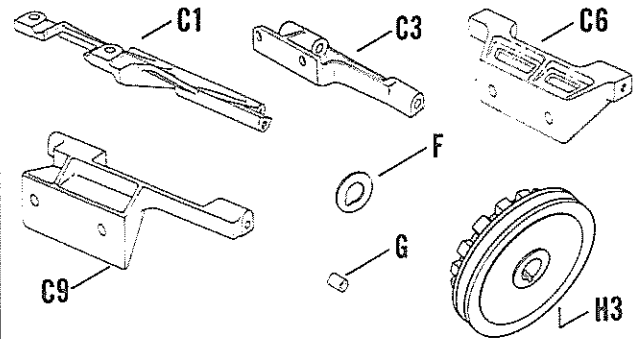
INDEX LTR.	DESCRIPTION VARIATION NUMBER	PART NUMBER	QTY.
------------	------------------------------	-------------	------

Use stock of original part number before ordering replacement.

A	Starter, generator - assembly (Grid C5) (includes regulator) 1,4,6,10,12,19,23,30,35,36,37,41,43,44,47,54,419,420	B-275703	1
	Starter, generator - assembly (Grid C5) 18,21,31,32,50,406,408,409,411,418	B-275847	1
	24,46,53	C-231262	1
	49	D-231262	1
	57	C-235230	1
B	Key, square 24,46,49,53,63	242168	1
C1	Support, starter lower 1,6	235716	1
	10,21,32,406,409	235749	1
C2	Support, starter upper 1,6,10,11,21,32,406,409	235717	1
C3	Support, starter lower 4,12,16,18,19,23,30,31,41,43,57,407,417,419,420	235196	1
	35,36,37,39,47,52,60,66,73,404,412,414,416	235457	1

INDEX LTR.	DESCRIPTION VARIATION NUMBER	PART NUMBER	QTY.	
		44	235557	1
		54	235681	1
		70	236586	1
C4	Support, starter upper 4,18,19	235198	1	
C5	Support, starter upper 12,16,30,31,35,39,43,44,52,57,60,70,404,407,412,417,419,420	235197-	1	
	73	236761	1	
	Support, starter upper (Discontinued--Not Available) 23,54	235315	1	
	66,414	236416	1	
C6	Support, starter lower 24,46,49,53,63	235373	1	
C7	Support, starter upper 36,37,41,47	235458	1	
C8	Support, starter upper 50	235705	1	
C9	Support, starter lower 50	235708	1	
C10	Support, starter upper 84	237883	1	
D	Brace, belt guard 4,23,30,419,420	235202	1	
E1	Bracket, starter adjusting 4,12,16,18,19,23,30,31,35,36,37,39,41,43,44,47,54,57,60,66,70,73,404,407,414,416,417,419,420	235203	1	
	50	235707	1	
E2	Bracket, starter adjusting 24,46,49,53,63	231273	1	
E3	Bracket, belt guard 30,417,419,420	235066	1	

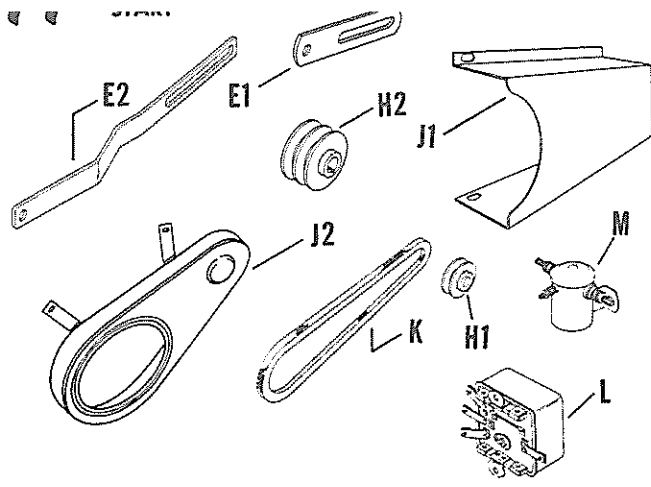
MOTOR GENERATOR - 12 VOLT



ELECTRIC START



(J2-CONTINUED)

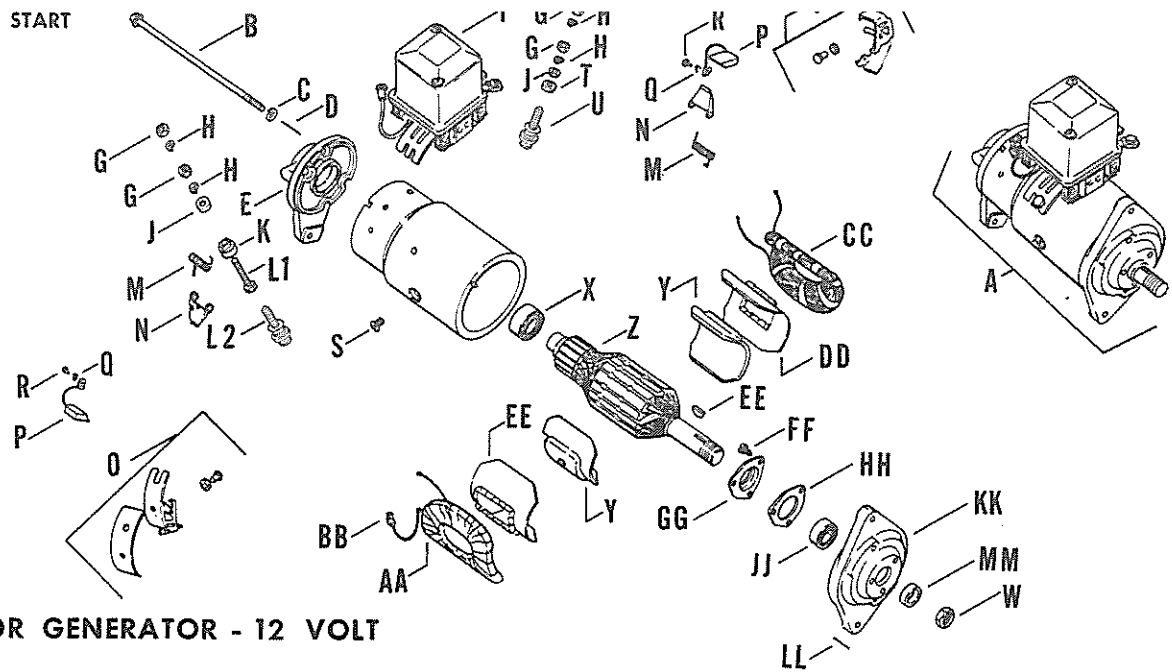


INDEX LTR.	DESCRIPTION VARIATION NUMBER	PART NUMBER	QTY.
F	Shim 10,12,18,19,21,23,35,36, 37,39,41,43,44,50,53,54, 406,409	236397	A.R.
	Shim .005 24,46,49	231149	A.R.
	Shim, .010 24,46,49,53,63	231150	A.R.
G	Spacer 47	X-346-2	1
H1	Pulley 1,405	275669	1
	10,12,18,19,21,23,30,31, 32,35,36,37,39,41,43,44, 47,50,54,57,404,406,407, 409,411,414,416,418,419, 420	235260	1
	24,53	231278	1
	46,49	235583	1
	408	235280	1
	412	235751	1
H2	Pulley (Double groove) (Discontinued--Not Available) 4,6	235209	1
H3	Pulley, drive 24,46,49,53,63	231591	1
J1	Guard, belt 1,57,410,417,419	235719	1
	4	235199	1
	6	235211	1
	30	235554	1
J2	Guard, belt 10,21,406,409	235530	1
	12,18,19,31,41,54	235528	1

44,47,404,414,417	235529	1	
50	235704	1	
Belt			
1	235721	1	
4	235200	2	
6	235721	2	
10,21,32,406,409	235261	1	
12,18,19,30,31,35,36, 37,41,43,44,47,54,419, 420	235262	1	
23	235312	1	
24,46,49,53	231605	1	
50	231446	1	
57	235528	1	
L	Regulator, voltage 18,405	235238	1
	31,32,406,408,409,418	270952	1
M	Solenoid, starting 47	243823	1

INDEX LTR.	DESCRIPTION VARIATION NUMBER	PART NUMBER	QTY.
Use stock of original part number before ordering replacement.			
All includes 1,4,6,10,12,18,19,21,23,24,30,31,32,35,36,37,41,43,44,46,47,49,50,53,54,57,406,408,409,411,418,419,420			
A	Starter, generator - assembly (Includes regulator) 1,4,6,10,12,19,23,30,35, 36,37,41,43,44,47,54,419, 420	B-275703	1
	Starter, generator - assembly 18,21,31,32,50,406,408,409, 411,418	B-275847	1
	24,46,53	C-231262	1
	49	D-231262	1
	57	C-235230	1
B	Bolt, thru ALL	231314	2
C	Washer, split-thru bolt (Discontinued--Not Available) 1,4,6,10,12,18,19,21,23, 30,31,32,35,36,37,41,43, 44,47,50,54,406,408,409, 411,418,419,420	275980	2
	Washer, split-thru bolt 24,46,49,53,57	272330	2

START



MOTOR GENERATOR - 12 VOLT

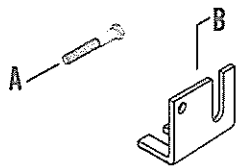
INDEX LTR.	DESCRIPTION VARIATION NUMBER	PART NUMBER	QTY.	INDEX LTR.	DESCRIPTION VARIATION NUMBER	PART NUMBER	QTY.
D	Pin, dowel C.E. ALL	275993	1	L2	Stud, terminal "A" (Includes bushing) 24,46,49,53	232862	1
E	Frame C.E. 1,4,6,10,12,18,19,21,23, 24,30,31,32,35,36,37,41, 43,44,46,47,49,50,53,54, 57,406,408,409,411,418, 419,420	230812	1	M	Spring, brush ALL	285652	2
F	Regulator 1,4,6,10,12,19,23,30,35, 36,37,41,43,44,47,54, 419,420	275746	1	N	Arm, brush ALL	272325	2
G	Nut, terminal ALL	X-81-7	4	O	Holder, insulated brush ALL	231307	1
H	Washer, split - terminal stud 1,4,6,10,12,18,19,21,23, 30,31,32,35,36,37,41,43, 44,47,50,54,406,408,409, 411,418,419,420	275979	4	P	Brush ALL	275741	2
	24,46,53,57	272320	4	Q	Washer, split-brush lead ALL (Except 24,46,53)	X-18-1	1
J	Washer, flat terminal ALL (Except 49,57)	275986	2	R	Screw, brush lead ALL	X-49-1	2
	Washer, flat terminal (Discontinued--Not Available) 49,57	272319	1	S	Screw, pole shoe ALL	275984	2
K	Bushing, insulated terminal "A" ALL	232861	1	T	Washer, insulated terminal ALL	275985	1
L1	Stud, terminal "A" 1,4,6,10,12,18,19,21,23, 30,31,32,35,36,37,41,43, 44,47,50,54,57,406,408, 409,411,418,419,420	275972	1	U	Stud, terminal "F" (Includes bushing) (Replaced by 232862) 1,4,6,10,12,18,19,23, 30,31,32,35,36,37,41, 43,44,47,50,54,406,408, 409,411,418,419,420	275973	1
				V	Stud, terminal "F" (Includes bushing) 24,46,49,53,57	232862	1
				W	Holder, ground brush ALL	231306	1

LIT.	VARIATION NUMBER	NUMBER	QTY.	LIT.	VARIATION NUMBER	NUMBER	QTY.
W	Nut, shaft D.E. ALL (Except 24,46,53)	271267	1				
	Nut, shaft D.E. 24,46,53	271267	2	EE	24,46,49,53,57	231794	2
X	Bearing, ball C.E. ALL (Except 49,57)	230813	1	FF	Key, woodruff ALL	X-43-3	1
Y	Shoe, pole ALL	275969	2	GG	Screw, bearing retainer ALL	275981	3
Z	Armature ALL	A-275738	1	HH	Plate, retainer D.E. ALL	275976	1
AA	Coil, field - L.H. 1,4,6,10,12,18,19,21,23, 30,31,32,35,36,37,41,43, 44,47,50,54,57,406,408, 409,411,418,419,420	275740	1	JJ	Gasket, bearing retainer ALL	231312	1
	24,46,49,53	231309	1	KK	Bearing D.E. ALL	270311	1
BB	Clip, terminal to brush ALL (Except 49)	275987	1		Frame D.E. 1,4,6,10,12,18,19,21,23, 30,31,32,35,36,37,41,43, 44,47,50,54,57,406,408, 409,411,418,419,420	275924	1
CC	Coil, field - R.H. 1,4,6,10,12,18,19,21,23, 30,31,32,35,36,37,41,43, 44,47,50,54,57,406,408, 409,411,418,419,420	275739	1	LL	Pin, dowel D.E. ALL	275994	1
	24,46,49,53	231308	1	MM	Collar, space D.E. 1,4,6,10,12,18,19,21,23, 30,31,32,35,36,37,41,43, 44,47,50,54,406,408,409, 411,418,419,420	275971	1
DD	Insulator, field coil 1,4,6,10,12,18,19,21,23, 30,31,32,35,36,37,41,43, 44,47,50,54,406,408,409, 411,418,419,420	231794	1		24,46,53	275017	1

BENDIX DRIVE STARTERS

STARTING MOTOR SUPERSESSIONS						
<p>A number of changes have been made on American Bosch starting motors. When major changes were made, Bosch changed their model designation and Kohler, in turn, changed the starter part number and also established an engine serial number break to indicate when the new model was used. The chart below lists the starter supersessions by both Bosch model and Kohler part number. Following the chart is a parts breakdown of each starter with the starters listed in numerical sequence by Kohler part number.</p> <p>The Bosch model number is found on the end cap of each starter. If the model number can be obtained, locate the corresponding Kohler part number in the chart then find the required replacement part numbers under the parts breakdown for that Kohler starter number.</p> <p>If the Bosch model cannot be determined, check the serial number of the engine to determine which starter it uses. For example, if starter variation 62 is called for and the engine serial number is E-227390, the chart indicates the Bosch SME12A13 or Kohler A-236292 starter. If the serial number had been E-228055, the chart indicates that the engine used the SMH12A3 or Kohler A-237132 starter.</p>						
VARIATIONS	KOHLER PART NO.	AMERICAN BOSCH PART NO.	REPLACED BY		EFFECTIVE AT SERIAL NUMBER	
62,72	A-236292 A-237132 B-237132	SME12A13 SMH12A3	A-237132 B-237132	SMH12A3 SMH12A3 SMH12A5 or 05995-21-M030SM	E-227420 * 3173782	
69,71	A-236396 A-237131	SME12A11 SMH12A2	A-237131 A-237534	SMH12A2 SMH12A4 or 05994-24-M030SM	E-172452 3224986	
81	A-237510	SMH12A2	A-237534	SMH12A4 or 05994-24-M030SM	3224986	
85	45 098 01 45 098 03 45 098 05	SMH12A201 SMH12A201 12507-29-M030SM	45 098 03 45 098 05 45 098 07	SMH12A201 12507-29-M030SM 16353-23-M030SM	7144003 7333352 8193133	
87	A-237534	SMH12A4 or 05994-24-M030SM				
89	A-237511	SMH12A5 or 05995-21-M030SM				
90	45 098 06	14925-27-M030SM				
<p>*Dust shield kit 237555 was added to A-237132 starter which changes the starter number to B-237132. Dust shield kit includes stop gear spacer, shield retainer & dust shield.</p>						

ELECTRIC START
BENDIX DRIVE



Starter	Grid
A-236292	C8
A-236396	C9
A-237131	C9
A-237132	C10
A-237510	C10
A-237511	C11
A-237534	C11
45 098 01	C12
45 098 03	C12
45 098 05	C13
45 098 06	C13

INDEX LTR.	DESCRIPTION VARIATION NUMBER	PART NUMBER	QTY.
------------	------------------------------	-------------	------

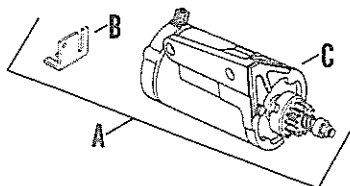
Use stock of original part number before ordering replacement.

A	Screw, starter mounting		
<p>Use with starter A-237511 (SMH12A5 or 05995-21-M030SM). Use 234947 with starter A-237131* (SMH12A2), B-237132 (SMH12A3) and A-237510* (SMH12A2). Use 234379 with A-236292 (SME12A13) and A-236396 (SME12A11). Use 234948 with A-237534 (SMH12A4 or 05994-24-M030SM, 45 098 01 (SMH12A201), 45 098 03 (SMH12A201) and 45 098 06 (14925-27-M030SM)</p>			
	62,69,71,72,81,85,87,89,90	234380	2

B	Bracket, support (Use 236737 prior to engine serial no. E-227420) 62,72,89	237239	1
*Dust shield kit 237555 was added to A-237131 starter which changes the starter number to A-237510.			

INDEX LTR.	DESCRIPTION VARIATION NUMBER	PART NUMBER	QTY.
------------	------------------------------	-------------	------

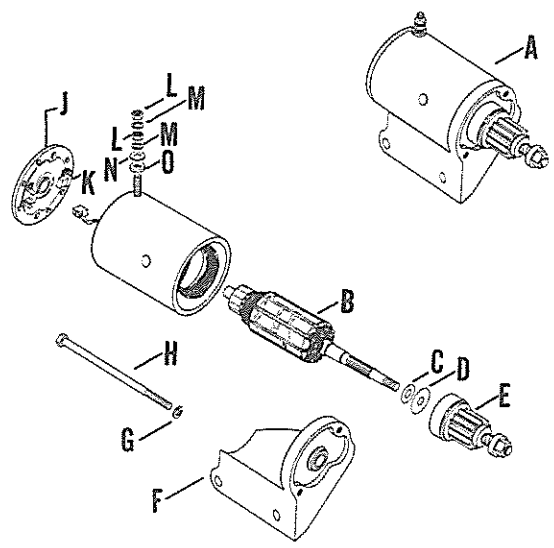
A	Starter - assembly (low mount) (Includes B & C)	A-236292-S	
B	Bracket, starter support	237239	
C	Starter - assembly (See Pg. 39 Grid C11 for breakdown)	A-237511	



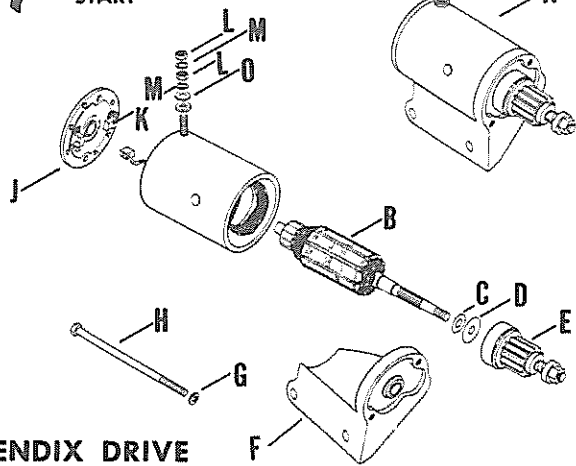
Use stock of original part number before ordering replacement.

A	Starter - assembly (low mount) (SME12A13) (Includes B thru O) (Replaced by A-236292-S kit)	A-236292	1
B	Armature	236571	1
C	Washer, spacer .005	236570	1
D	Washer, spacer .010	236568	A.R.
E	Drive	236562	1
F	Plate D.E.	236627	1
G	Washer, split-thru bolt	236574	1
H	Bolt, thru	236577	2
J	Cap-assembly C.E.	236628	1
K	Brush and spring	236576	1
L	Nut, terminal lead	236575	2
M	Washer, split	236594	2
N	Washer, spacing	236573	1
O	Washer, insulator	236572	1

BENDIX DRIVE



START



BENDIX DRIVE

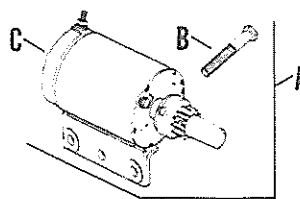
INDEX LTR.	DESCRIPTION VARIATION NUMBER	PART NUMBER	QTY.
------------	------------------------------	-------------	------

Use stock of original part number before ordering replacement.

A	Starter - assembly (High mount) (SME12A11) (Includes B thru O) (Replaced by A-236396-S kit)	A-236396	1
B	Armature	236571	1
C	Washer, spacer .005	236570	1
D	Washer, spacer .010	236568	A.R.
E	Drive	236562	1
F	Kit, starter bracket	237225	1
G	Washer, split-thru bolt	236574	1
H	Bolt, thru	236577	2
J	Cap C.E.	236564	1
K	Brush and spring	236576	1
L	Nut, terminal lead	236575	2
M	Washer, split	236594	2
N	Washer, spacing	236573	1
O	Washer, insulator	236572	1

INDEX LTR.	DESCRIPTION VARIATION NUMBER	PART NUMBER	QTY.
------------	------------------------------	-------------	------

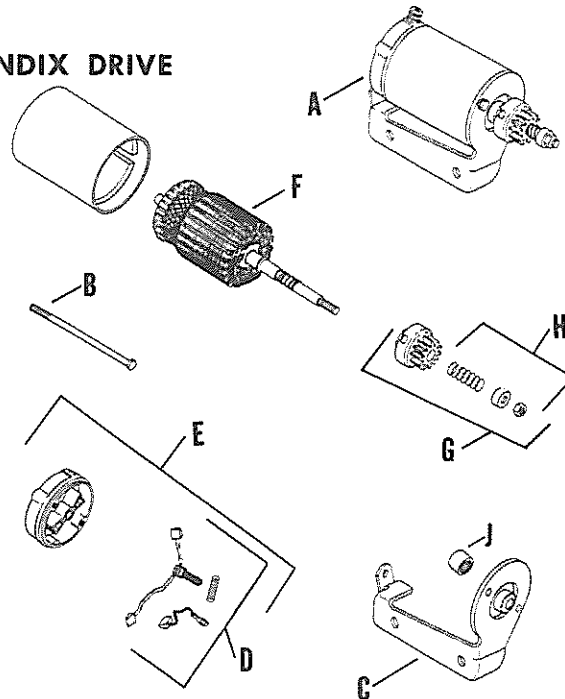
A	Starter - assembly (high mount) (Includes B & C)	A-236396-S	
B	Screw, H.C. (High mount starter for J. Deere when 236423 bracket is used)	234380	2
B	Screw, H.C. (High mount starter only mounting)	234948	2
C	Starter - assembly (See Pg. 39 Grid C11 for breakdown)	A-237534	



Use stock of original part number before ordering replacement.

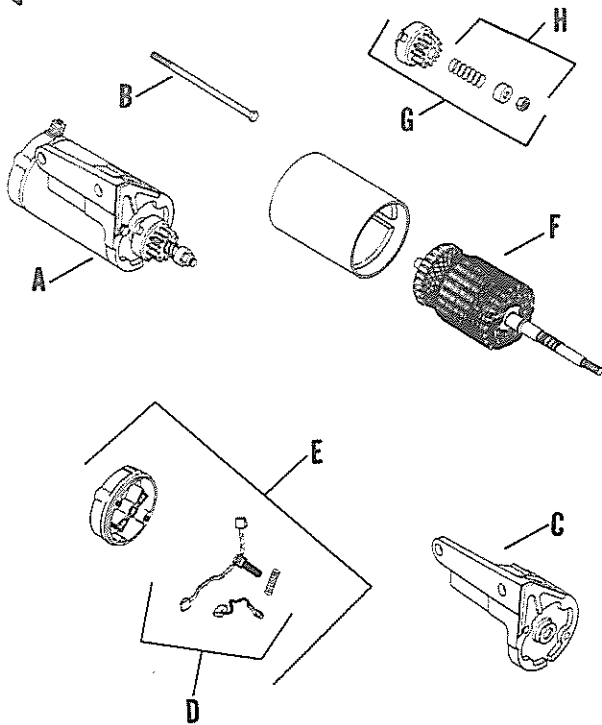
A	Starter - assembly (High mount) (SMH12A2) (Includes B thru J) (Replaced by A-237534)	A-237131	1
B	Bolt, thru w/washer	237358	2
C	Bracket and cap D.E.	237362	1
D	Kit, brush	48 755 15	1
E	Cap, commutator end	48 227 04	1
F	Armature	47 170 01	1
G	Kit, drive (Includes H)	47 755 07	1
H	Kit, drive parts	47 755 13	1
J	Bearing	41 030 01	1

BENDIX DRIVE



ELECTRIC START





BENDIX DRIVE

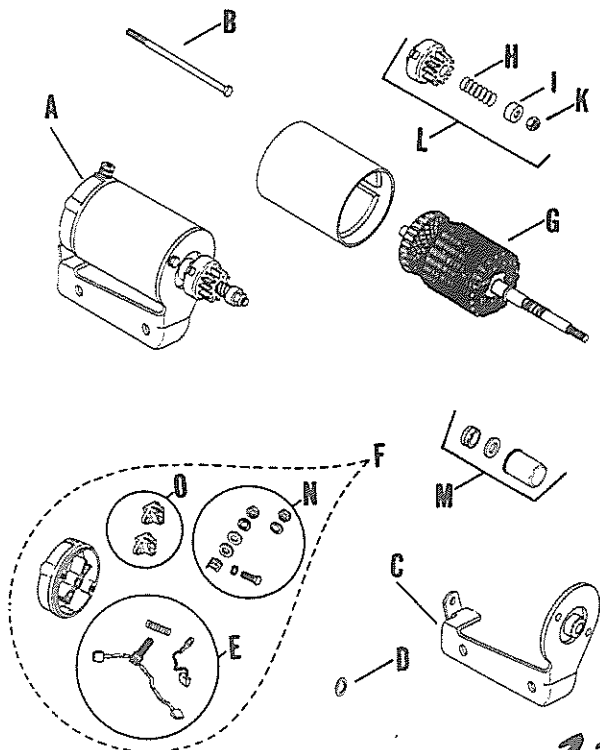
INDEX LTR.	DESCRIPTION VARIATION NUMBER	PART NUMBER	QTY.
------------	------------------------------	-------------	------

Use stock of original part number before ordering replacement.

A	Starter - assembly (Low mount) (SMH12A3) (Includes B thru H) (Replaced by A-237511)	A-237132	1
B	Bolt, thru	237646	2
C	Bracket and cap D.E.	237361	1
D	Kit, brush	48 755 15	1
E	Cap, commutator end	48 227 04	1
F	Armature	47 170 01	1
G	Kit, drive (Includes H)	47 755 07	1
H	Kit, drive parts	47 755 13	1

Use stock of original part number before ordering replacement.

A	Starter - assembly (High mount) (SMH12A4) (Includes B thru O) (Replaced by A-237534)	A-237510	1
B	Bolt, thru	237358	2
C	Bracket and cap D.E.	237362	1
D	Washer, armature thrust	237363	1
E	Kit, brush and spring	237367	1
F	Kit, commutator cap (Includes E, N & O)	237368	1
G	Armature	237364	1
H	Spring, anti-drift	237357	1
J	Spacer, stop gear (Starters with dust shield use 237645)	237356	1
K	Nut, stop	X-101-4	1
L	Kit, drive (Includes H, J & K)	237370	1
M	Kit, dust shield	237555	1
N	Kit, hardware	237761	1
O	Kit, brush holder	237762	1

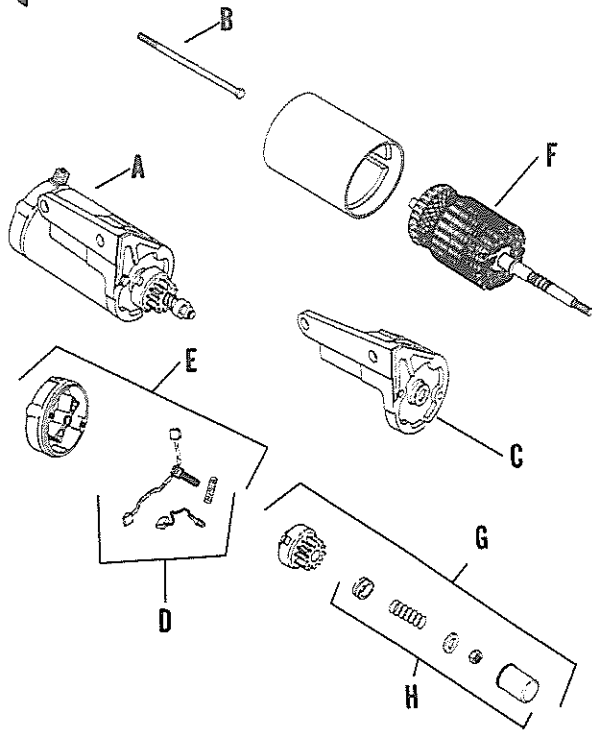


BENDIX DRIVE

ELECTRIC START



START



BENDIX DRIVE

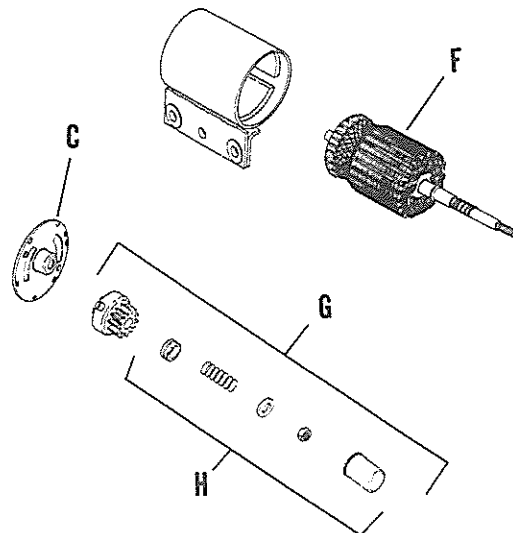
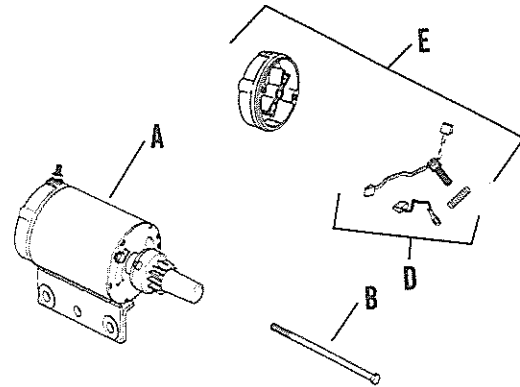
INDEX LTR.	DESCRIPTION VARIATION NUMBER	PART NUMBER	QTY.
------------	------------------------------	-------------	------

Use stock of original part number before ordering replacement.

A	Starter - assembly (Low mount) (SMH12A5 or 05995-21-M030SM) (Includes B thru H)	A-237511	1
B	Bolt, thru w/washer	237646	2
C	Bracket and cap D.E.	237361	1
D	Kit, brush	48 755 15	1
E	Cap, commutator end	48 227 04	1
F	Armature	47 170 01	1
G	Kit, drive	47 755 07	1
H	Kit, drive parts	47 755 13	1

Use stock of original part number before ordering replacement.

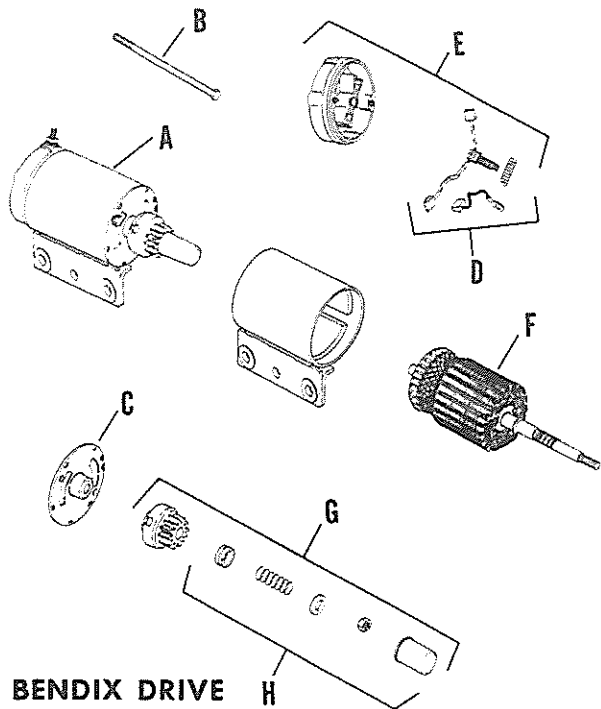
A	Starter - assembly (High mount) (SMH12A4 or 05994-24-M030SM) (Includes B thru H)	A-237534	1
B	Bolt, thru w/washer	237649	2
C	Cap, drive end	237650	1
D	Kit, brush	48 755 15	1
E	Cap, commutator end	48 227 04	1
F	Armature	47 170 01	1
G	Kit, drive	47 755 07	1
H	Kit, drive parts	47 755 13	1



BENDIX DRIVE

**ELECTRIC
START**

11



BENDIX DRIVE H

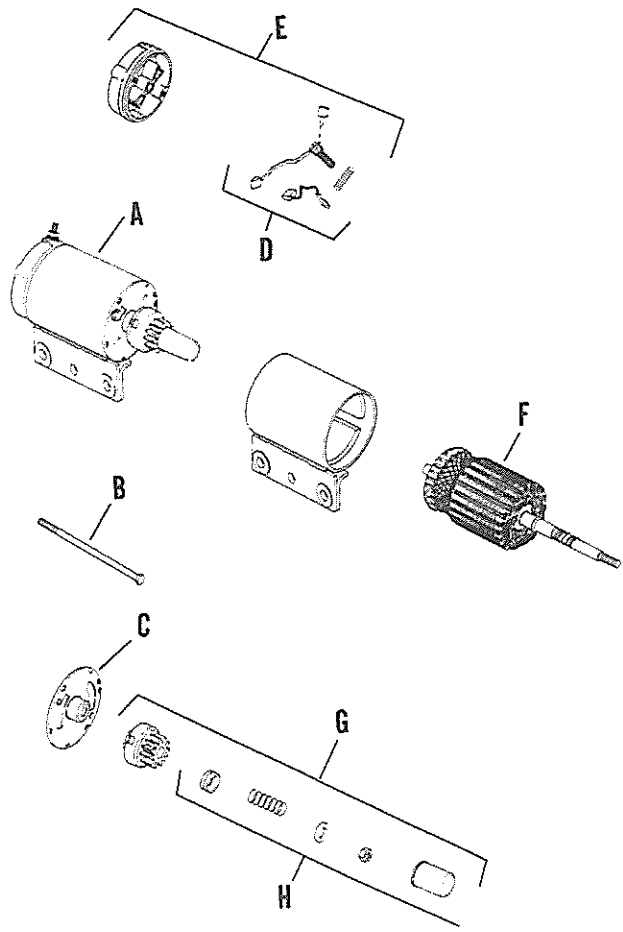
Use stock of original part number before ordering replacement.

A	Starter - assembly (High mount) (SMH12A201) (Replaced by 45 098 05) (Includes B thru H)	45 098 03	1
B	Bolt, thru w/washer	237649	2
C	Cap, drive end	237650	1
D	Kit, brush	48 755 15	1
E	Cap, commutator end	48 227 04	1
F	Kit, armature	45 755 09	1
G	Kit, drive	45 755 03	1
H	Kit, drive parts	47 755 13	1

INDEX LTR.	DESCRIPTION VARIATION NUMBER	PART NUMBER	QTY.
------------	------------------------------	-------------	------

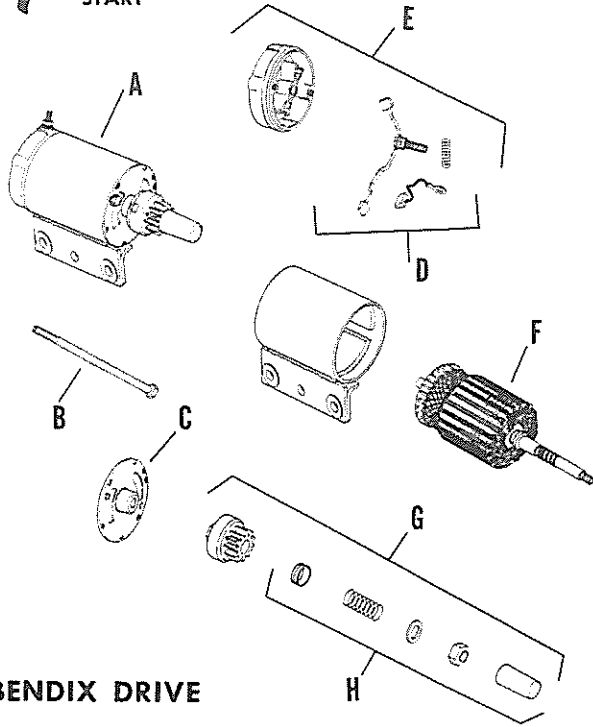
Use stock of original part number before ordering replacement.

A	Starter - assembly (High mount) (SMH12A201)(Includes B thru H) (Replaced by 45 098 03)	45 098 01	1
B	Bolt, thru w/washer	237649	2
C	Cap, drive end	237650	1
D	Kit, brush	48 755 15	1
E	Cap, commutator end	48 227 04	1
F	Kit, armature	45 755 09	1
G	Kit, drive	45 755 03	1
H	Kit, drive parts	47 755 13	1



BENDIX DRIVE

ELECTRIC START **11**



BENDIX DRIVE

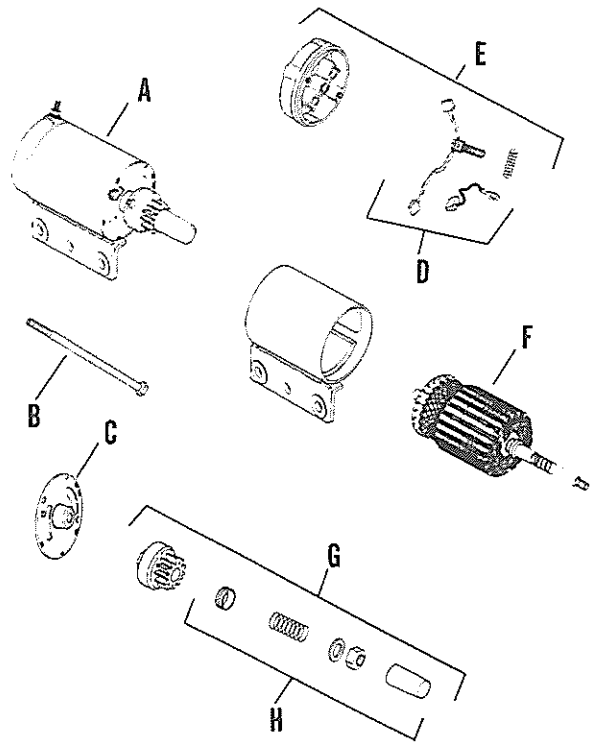
INDEX LTR.	DESCRIPTION VARIATION NUMBER	PART NUMBER	QTY.
------------	------------------------------	-------------	------

Use stock of original part number before ordering replacement.

A	Starter - assembly (High mount) (12507-29-M030SM) (Includes B thru H)	45 098 05	1
B	Bolt, thru w/washer	237649	2
C	Cap, drive end	237650	1
D	Kit, brush	48 755 15	1
E	Cap, commutator end	48 227 04	1
F	Armature	45 170 02	1
G	Kit, drive	47 755 07	1
H	Kit, drive parts	47 755 13	1

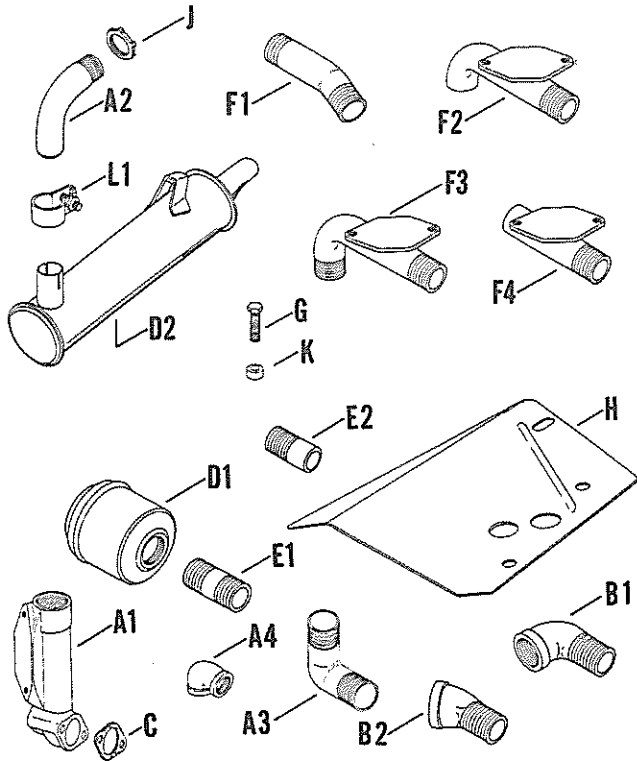
Use stock of original part number before ordering replacement.

A	Starter - assembly (High mount) (14925-27-M030SM) (Includes B thru H)	45 098 06	1
B	Bolt, thru w/washer	237649	2
C	Cap, drive end	237650	1
D	Kit, brush	48 755 15	1
E	Cap, commutator end	48 227 04	1
F	Armature	45 170 02	1
G	Kit, drive	47 749 01	1
H	Kit, drive parts	47 755 13	1



ELECTRIC START

17

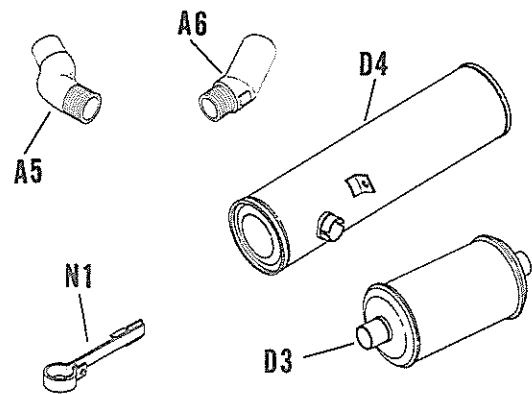


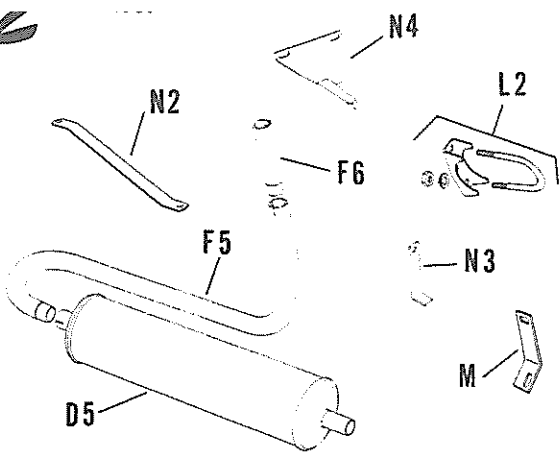
INDEX LTR.	DESCRIPTION VARIATION NUMBER	PART NUMBER	QTY.
------------	------------------------------	-------------	------

Use stock of original part number before ordering replacement.

A1	Elbow, exhaust 2,31,36,404,410	235166	1
A2	Elbow, exhaust 21,30	235692	1
A3	Elbow, exhaust 24	231820	1
A4	Elbow, exhaust 31	X-215-15	1
A5	Elbow, exhaust 40	47 054 01	1
A6	Elbow, exhaust 41	47 054 02	1
B1	Elbow, street 4,5	230600	1
	400	151385	1
B2	Elbow, street 15,20,34	231441	1
C	Gasket, exhaust 2,12,31,36,404,406,410	235122	1

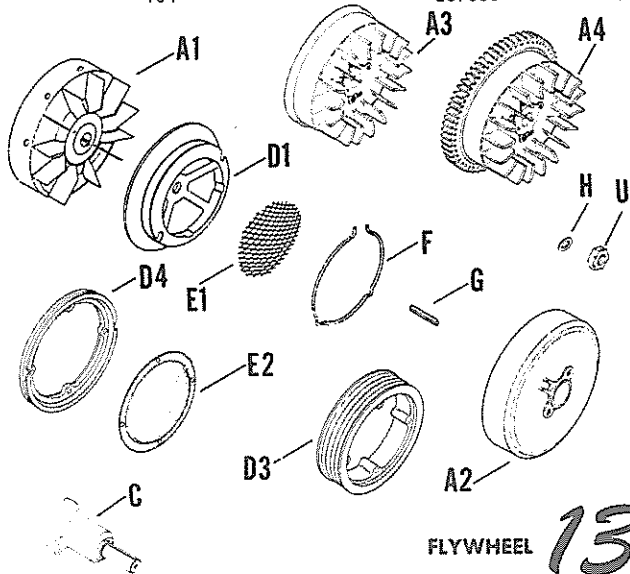
D1	Muffler 1,2,3,5,12,14,15,20,24, 34,39,403,404,405,407,409, 410	275679	1
D2	Muffler 21	237550	1
	Muffler 30	237550	1
D3	Muffler 400	235724	1
D4	Muffler 401	233518	1
D5	Muffler 402	237485	1
E1	Pipe 1 I.P. x 3 1,3,15,34,39,403,404,409	X-218-22	1
	12	237097	1
	Pipe 1 I.P. x 2-1/2 2,5,9,20,410	X-218-23	1
	Pipe 1 I.P. x 9 31	X-218-5	1
	Pipe 1 I.P. x 4-1/2 31	X-218-10	1
	Pipe 1 I.P. x 6 (Discontinued-Not Available) 400	X21821	1
E2	Pipe 1 I.P. x 2-1/4 32	X-229-11	1
F1	Pipe, exhaust 14,16	235194	1
	22	236347	1
F2	Pipe, exhaust (Replaced by 237129) 27	237115	1
F3	Pipe, exhaust 28,402	237129	1





INDEX LTR.	DESCRIPTION VARIATION NUMBER	PART NUMBER	QTY.
F4	Pipe, exhaust 29,401	237113	1
F5	Pipe, exhaust 402	237603	1
F6	Pipe, exhaust 402	237608	1
G	Screw, hex. hd. 5/16 - 18 x 2-1/4 12	230578	1
H	Baffle, heat 21,30	237679	1
J	Nut, lock 4,5,14,15,16,20,21,22, 24,27,28,29,30,40,41, 401,402,407,408	AC-1536	1
	400	X1194	1
K	Spacer 30	X-400-72	1
L1	Clamp, muffler 30,401	237543	1
L2	Clamp, muffler 402	237548	3
M	Strap, mounting 401	233520	1
N1	Bracket, muffler (Discontinued--Not Available) 400	235725	1
N2	Bracket, muffler 402	237642	1
N3	Bracket, muffler mounting 402	237609	1
N4	Bracket, muffler mounting 402	237605	1

INDEX LTR.	DESCRIPTION VARIATION NUMBER	PART NUMBER	QTY.
Use stock of original part number before ordering replacement.			
A1	Flywheel 1	A-235714	1
	2,3,8	A-235589	1
	5,6,38,42	A-235206	1
	10,26	A-235227	1
	11,12,13,14,22,24,27,37, 46	235080	1
	28	A-235498	1
	43	235638	1
A2	Flywheel 70,72,108,109	A-236252	1
A3	Flywheel 25	47 755 02	1
	33	235432	1
	47,48,55	A-235927	1
	49,54,58,67,74,101, 121,200,601	A-235908*	1
	50,91,105,111	235818	1
	56,68,73,127	A-235978	1
	66	235464	1
	69,96	237297	1
	128	237893	1
	Flywheel (Discontinued--Not Available) 104	237300	1

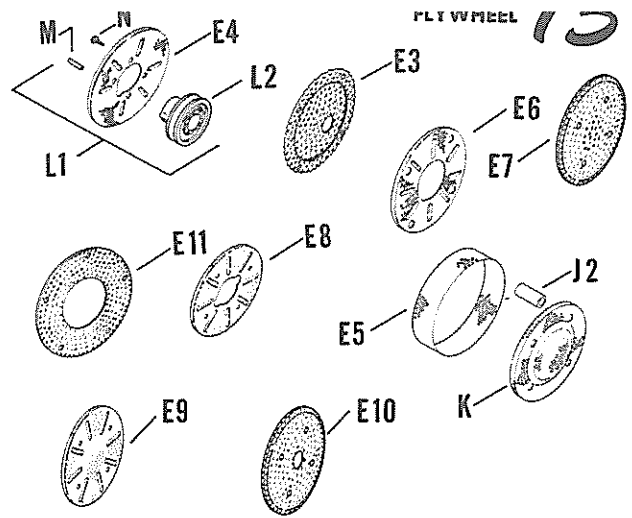


FLYWHEEL

13

*REVIEW PARTS BULLETIN NO. 129 BEFORE ORDERING

A4	Flywheel 60,82,84,92,94	47 025 11	1
	81,123	A-236707	1
	88	A-236773	1
	137,144	47 025 28	1
	138	47 025 44	1
	98	A-236864	1
	Flywheel (Replaced by 47 025 18) 114	A-237385	1
	Flywheel (Replaced by 47 025 23) 130	47 025 06	1
	Flywheel (Replaced by 47 025 22) 132	47 025 05	1
	93	47 025 13	1
	Flywheel (Replaced by 47 025 28) 103,115,118,119,122,124	47 025 08	1
	133	47 025 02	1
	Flywheel (Replaced by 47 025 27) 120	47 025 07	1
	Flywheel (Replaced by 47 025 44) 136	47 025 30	1
	Flywheel (Replaced by 47 025 24) 135	47 025 14	1
	139,143	47 025 41	1
	Flywheel 600	47 025 24	1
C	Shaft, front drive 10,13,26,73	235226	1
	27,46,56,119,127	235377	1
	37,91	235556	1
	50	235954	1
	111,122,135	237350	1
D1	Pulley, rope start (Discontinued--Not Available) 1	235149	1
D2	Pulley, rope start 2,8,72,108	235752	1
D3	Pulley, electric start (Double groove) 5,12	235210	1
	24,42,74	235325	1
D4	Pulley (Single groove) 6,10,11,13,14,22,26, 27,30,37,38,46,50,54, 56,60,67,68,69,73,81, 91,94,96,103,105,111	235207	1

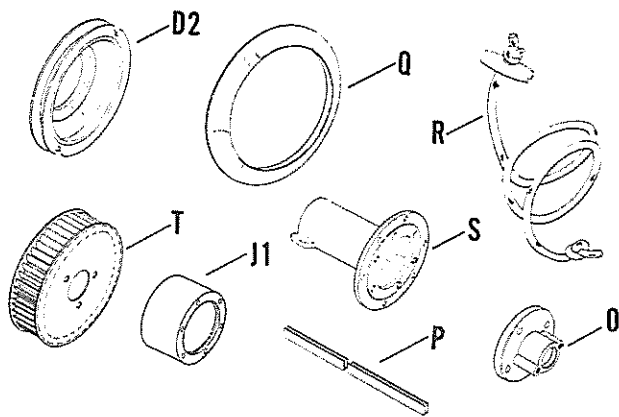


INDEX LTR.	DESCRIPTION VARIATION NUMBER	PART NUMBER	QTY.
(D4-CONTINUED)			
	Pulley, electric start (Single groove) 33,47,55,66,104,128	235784	1
E1	Screen, grass 1	235098	1
E2	Screen, grass 5,6,11,12,38,54,60,67, 68,69,81,94,103 33,47,66,104,128	235208 235462	1 1
E3	Screen, grass 10,13,27,37,50,56,73, 91,111	235052	1
	22,96	235321	1
	119,127,133,135	237029	1
E4	Screen, grass 25	235190	1
E5	Screen, cylinder 30,55	231988	1
E6	Screen, grass 48	235689	1
	58	47 162 06	1
	136,138	47 162 10	1
	Screen, grass (Replaced by 47 162 02) 49	237377*	1
	Screen, grass (Replaced by 47 162 04) 122	237094	1
E7	Screen, grass 84,93,118,121,123,143	236688	1
E8	Screen, grass 92,115,139,144	237372	1

*REVIEW PARTS BULLETIN NO. 129 BEFORE ORDERING

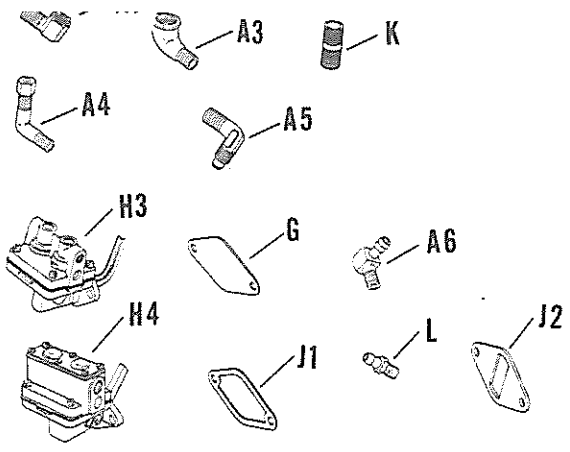
E9	Screen, grass (Replaced by 47 162 03) 124	236681	1
E10	Screen, grass 130	237284	1
E11	Screen, grass (Use 237377 after serial no. 4352183) 200	237250	1
F	Retainer, grass screen 1	235364	1
G	Key (Use X-286-15 after serial no. 5071832) 1,2,3,5,6,8,10,11,12,13, 14,22,24,25,26,27,28,30, 33,37,38,42,43,47,48,56, 66,96	X-366-1	1
	Key 49,50,54,55,58,60,67,68, 69,70,72,73,74,81,82,84, 88,91,92,93,94,98,101, 103,104,105,108,109,111, 114,115,118,119,120,121, 122,123,124,127,128,130, 132,133,135,136,137,138, 139,143,144,200,600,601	X-286-17	1
H	Washer 3/4 1,2,3,8,72	X-26-10	1
	6,10	X-25-71	1
	Washer 5/8 49,54,70,73,108,109,121, 127,135,136	X-25-88	1
J1	Spacer, pulley (Discontinued--Not Available) 8	235144	1
	Spacer, pulley 108	237641	1
J2	Spacer 30,55	X-400-35	4

K	Cover, screen 30	231989	1
	55	235781	1
L1	Cup and screen - assem. (Includes E4,L2,M & N) 25	A-235189	1
L2	Cup, drive 25,130	231817	1
M	Pin, dowel 25,130	X-56-7	1
N	Screw, self tap #8 - 32 x 1/4 25	X-67-41	4
O	Adapter, front drive 92,115,139,144	237373	1
P	Channel, rubber (Not used after engine serial no. 4352183) 200	X-532-2	1
Q	Ring, air inlet 38, 67	235596 236557	1 1
R	Rope ALL	A-230099	1
S	Support, rotor 2 3,8 72,108	235588 235591 236593	1 1 1
	Support, rotor (Replaced by 236593) 70,109	236474	1
T	Rotor 2,70,72,108 3,8 109	235590 235099 277227	1 1 1
U	Nut, hex. 3/4 - 16 1,2,3,8,72	X-89-11	1
	Nut, hex. 3/4 - 16 (Discontinued--Not Available) 5,6,10,11,12,13,14,24,26, 27,28,30,37,38,42,43,46	X-119-16	1
	Nut, hex. 5/8 - 18 25,33,47,48,49,50,54,55, 56,58,60,66,67,68,69,70, 73,74,81,82,84,88,91,92, 93,94,96,98,101,103,104, 105,108,109,111,114,115, 118,119,120,121,122,123, 124,127,128,130,132,135, 137,138,139,143,144,600, 601	X-119-14	1

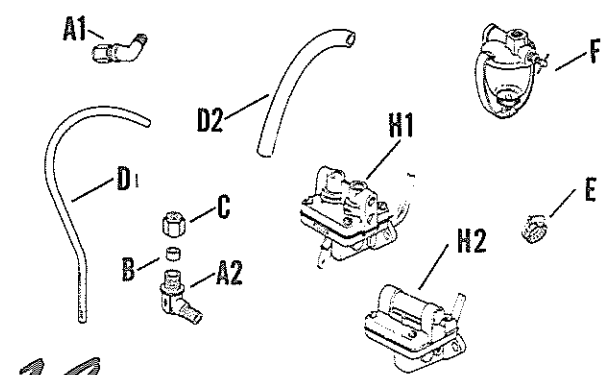


14

INDEX LTR.	DESCRIPTION VARIATION NUMBER	PART NUMBER	QTY.
Use stock of original part number before ordering replacement.			
A1	Elbow, compression 1	A-220146	1
A2	Elbow (Copper fuel line only) 1	231510	2
	2,4,5,6,7,15,19,20,30,46, 402	231510	1
A3	Elbow, street 1/8 x 90° 2,4,5,6,15,19,25,27,29, 39,42	X-211-10	1
	28	X-211-10	2
	Elbow, street 1/8 x 45° 7,24,45	X-274-4	1
A4	Elbow, compression 90° 2,4,7,27,42	A-822	1
A5	Elbow, oil line connection 5,25,29	X-447-10	1
A6	Elbow, hose 90° (Rubber fuel line only) 6,19,20,22,24,25,27,28, 29,30,33,42,45,46,48,49, 53,55,57,58,60,61,402	X-391-1	1
	21,23,38,39,43,47,52,59, 63,64,403	X-391-1	2
	47,60,61,69	X-391-11	1
	69	25 155 02	1
	Elbow, hose 90° (Rubber fuel line only) (Use X-391-1 prior to engine serial no. 5155716) (Replaced by X-391-11) 47,48,53	X-391-8	1
A7	Elbow, street 1/8 x 90° 43	X-555-2	1



INDEX LTR.	DESCRIPTION VARIATION NUMBER	PART NUMBER	QTY.
B	Sleeve (Copper fuel line only) 1	220547	2
	2,4,5,6,7,15,46,49	220547	1
C	Nut (Copper fuel line only) 1	220786	2
	2,4,5,6,7,15,46,49	220786	1
D1	Line, fuel (Pump to carburetor) 7-1/8 copper 1,2,4,5,6,7,15	235097	1
D2	Line, fuel (Pump to carburetor) 5 rubber (Copper fuel line 235097) ALL (except 1,2,3,4,5,6,7, 13,15,34,43,57)	X-810-1	1
	Line, fuel (Pump to carburetor) 5-1/2 rubber 43	X-386-42	1
	Line, fuel 6-1/2 rubber 55	X-697-5	1
	Line, fuel 6-1/4 rubber 57	X-807-6	1
	Line, fuel 64	X-807-7	1
	Line, fuel 20 rubber 404	X-811-1	1
E	Clamp, hose (Rubber fuel line only) ALL (except 1,2,3,4,5,6,7, 13,15,34,55)	X-426-9	2
	55	X-426-9	1
F	Filter, fuel (Refer to Index Letter L, Group 15 for assembly details - Grid D7) 2,4,5,6,7,19,24,25,27,29, 39,42,43,45,46,402	A-210101	1



14 FUEL PUMP

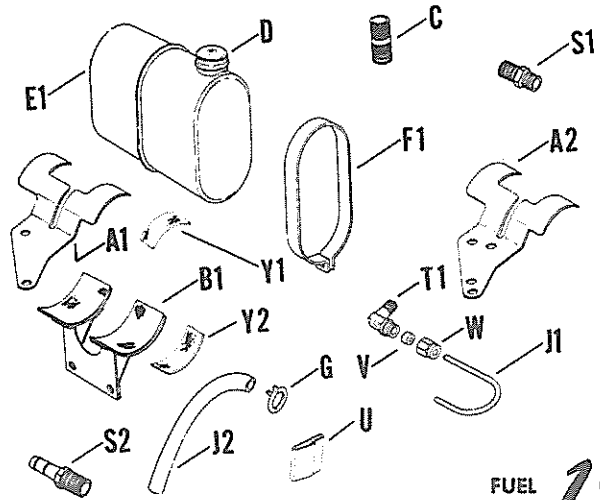
G	Cover, pump pad 3	240282	1
H1	Pump, fuel (Use A-235361 on engines prior to spec suffix "D") 1,2,4,5,6,7,15,19,22,24,25, 28,29,39,42,45,49,402,403	A-235807	1
	Pump, fuel (Includes gasket) 20,23,30,48,53,61,404	47 559 01	1
H2	Pump, fuel (No repair kit available) 13	A-235425	1
	Pump, fuel (Replaced by A-235807) 34	A-235761	1
H3	Pump, fuel (Use A-235366 on engines prior to spec suffix "D") 43,46,64	A-235845	1
	Pump, fuel 55	47 393 08	1
	Pump, fuel (Includes gasket) 59	47 559 03	1
	57,58	47 559 02	1
	21,27,33,38,47,56,60,63	47 559 04	1
H4	Pump, fuel 52	A-236205	1
J1	Gasket, fuel pump pad ALL (except 52)	47 041 04	1
J2	Gasket, fuel pump insulator 52	277649	1
K	Nipple 1/8 x 1 2,5,19,29,39,42,43	X-217-7	1
	Nipple 1/8 x 2-1/2 4,27,45	167196	1
	Nipple 1/8 x 3/4 6	X-217-6	1
	Nipple 1 x 2-1/2 39	X-218-23	1
L	Connector 55,57	X-380-2	1
M	Repair kit (Use only with pumps having letter "B" (Use only with pumps having letter "B" stamped on body) (Use kit 235362 on pumps A-235361 & A-235366) (Includes diaphragm spring, valve assembly, valve gasket and pulsator diaphragm) 6,7,19,20,21,22,23,24,25, 27,28,29,30,33,34,38,39, 42,43,45,46,47,48,49,53, 55,402,403	230675	1

(M-CONTINUED)

Repair kit
(Use only with pumps having
letter "B" stamped on body)
(Includes diaphragm spring,
valve assembly, valve gasket
and pulsator diaphragm)
52 236387 1

FUEL TANK 15

INDEX LTR.	DESCRIPTION VARIATION NUMBER	PART NUMBER	QTY.
Use stock of original part number before ordering replacement.			
A1	Bracket, upper tank 1,2,4,9,10,12,16,17,21, 24,27	45 217 02	1
A2	Bracket, upper tank 28,29,30,31,450	45 217 01	1
	Bracket upper tank (w/webbing) 35,36,460	47 217 10	1
	Bracket, upper tank (w/o webbing) 35,36,460	45 066 03	1
A3	Bracket, upper tank 451	275415	1
B1	Bracket, lower tank 1,2,4,9,10,12,16,17,21,24, 27,28,29,30,31,450,452	236934	1
	Bracket, lower tank (w/webbing) 35	47 217 11	1
	451	275416	1
	Bracket, lower tank (w/o webbing) 35,36,460	47 066 02	1

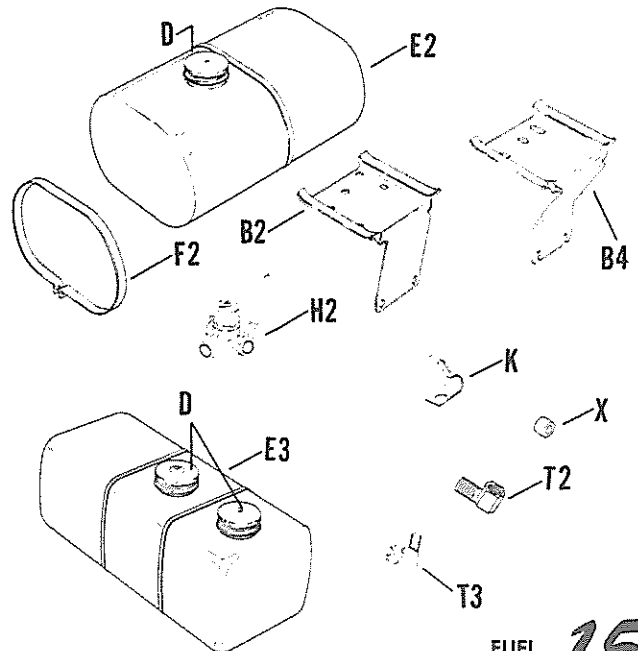


FUEL TANK 15

B2	Bracket 5,7,18,34	236939	1
	25	236943	1
B3	Bracket, valve 34	46 126 01	1
B4	Bracket, tank 456	237898	1
C	Nipple 1/8 x 1 1,2,10,12	X-217-7	1
	Nipple 1/8 x 3/4 4,5,7,18	X-217-6	1
	Nipple 1/8 x 1-1/2 12	X-217-2	1
D	Cap, tank 1,2,5,9,12,16,17,18,27,30	236655	1
	4,10,21,24,25,28,29,31, 35,450	220956	1
	7	220853	1
	34	236655	2
E1	Tank, fuel 1.5 gallon (Includes cap) 1,2,4,9,10,12,16,17,21,24, 27,28,29,30,31,35,36,450, 452,458,459	235164	1
	451,455	236684	1
E2	Tank, fuel 1.7 gallon (Includes cap) 5,7,18	235370	1
	Tank, fuel 2.0 gallon (Includes cap) 25,456	235935	1
E3	Tank, fuel (Gas/kerosene) (Includes caps) 34	41 065 01	1
F1	Strap (Includes 1 screw X-5-26 & 1 nut X-101-8) 1,2,4,9,10,12,16,17,21,24, 27,28,29,30,31,35,36,450, 452	237639	2
	Strap (Includes 1 screw X-5-26 & 1 nut X-101-8) 451	237640	2
F2	Strap (Includes 1 screw X-776-1 & 1 nut X-101-8) 5,7,18,34	A-236938	2
	Strap (Includes 1 screw X-776-1 & 1 nut X-101-8) 25,452,456	A-236942	2

G	Clamp 18,34	X-426-9	2
	Clamp (Replaced by X-426-8) 21,24,27,28,29,30,31,450	X-309-8	2
H1	Valve, fuel (Use 237884 after engine serial no. 5155715) 9,21,24,28,29,450	220764	1
	Valve, fuel 34,452	220764	1
	35,36,458,459	47 462 01	1
H2	Valve, 3-way 12	244817	1
H3	Valve, fuel 34	46 462 02	1
J1	Line, fuel 22 copper 1,2,4,10,457	X-294-5	1
	Line, fuel 6 steel 5,7	235372	1
	Line, fuel 20 copper 12,453	X-294-15	1
	Line, fuel 27 copper (Replaced by X-294-16) 16,17	X-294-22	1
J2	Line, fuel 20-1/2 rubber 9,454	X-386-20	1
	Line, fuel 6-1/2 rubber 18	X-697-5	1

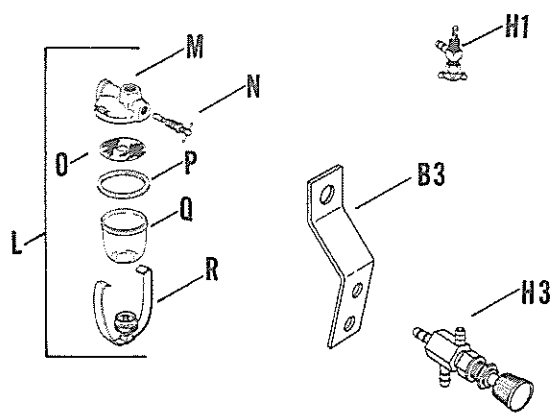
(J2-CONTINUED NEXT PAGE)



FUEL TANK

15

TANK

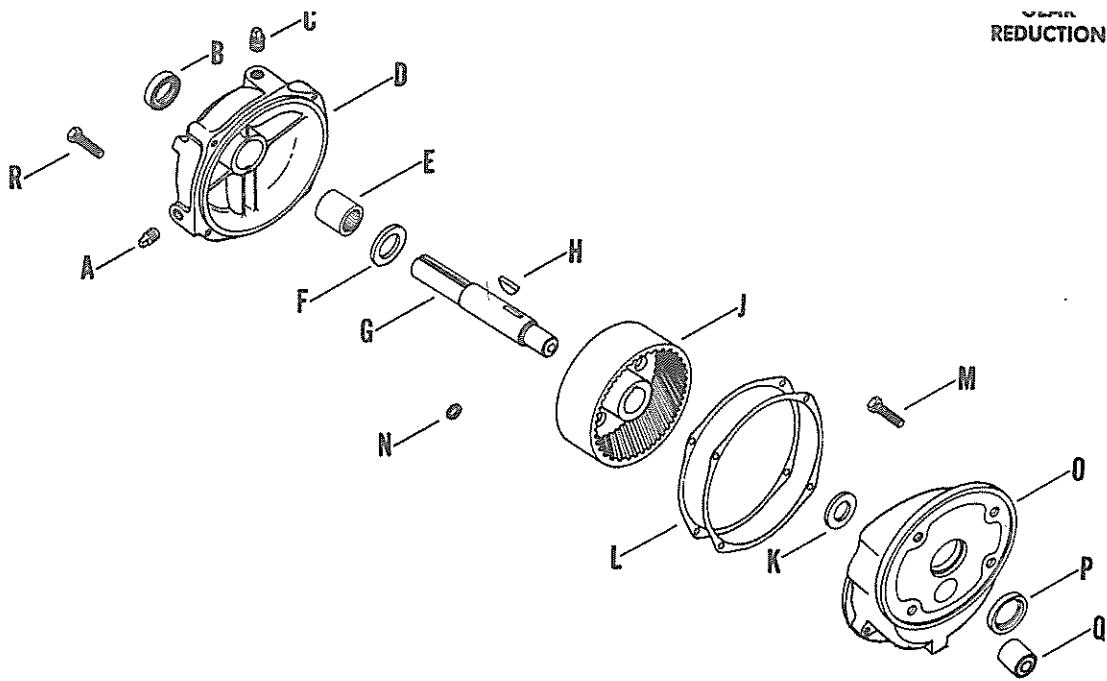


INDEX LTR.	DESCRIPTION VARIATION NUMBER	PART NUMBER	QTY.
(J2-CONTINUED)			
	Line, fuel 20 rubber (Replaced by X-788-1) 21,24,27,28,29,30,31,450	X-744-2	1
	Line, fuel 20 rubber 458,459	X-788-1	1
	35,36	X-809-1	1
	Line, fuel 15 rubber 34,452	X-386-22	1
	Line, fuel 6-1/4 rubber 34	X-386-31	1
	Line, fuel 10-1/2 rubber 34	X-386-1	1
K	Clip 9	X-414-2	1
L	Filter, fuel - assembly (Includes M thru R) 1,2,4,5,7,10,12,18,453, 454,457	A-210101	1
M	Top, filter 1,2,4,5,7,10,12,18,453, 454,457	210478	1
N	Valve, needle 1,2,4,5,7,10,12,18,453, 454,457	A-210480	1
O	Screen, filter 1,2,4,5,7,10,12,18,453, 454,457	210479	1
P	Gasket, filter 1,2,4,5,7,10,12,18,453, 454,457	210468	1
Q	Bowl, glass 1,2,4,5,7,10,12,18,453, 454,459	210467	1
R	Bail 1,2,4,5,7,10,12,18,453, 454,457	A-210477	1

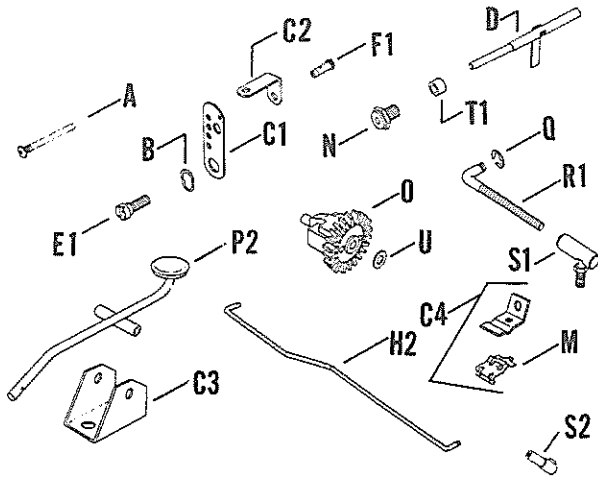
S1	Connector 5,7,16,17,453,457	231509	1
S2	Connector 18	X-380-1	1
	454	X-495-1	1
T1	Elbow, compression 1,2,4,10,12	231510	1
T2	Elbow, street 12	X-211-10	1
T3	Elbow 451	A-220146	1
U	Seal, strap (Discontinued--Not Available) 35,451	X-371-1	2
V	Sleeve 1,2,5,7,10,16,17	220547	2
	4,12,453,457	220547	1
W	Nut 1,2,5,7,10,16,17	220786	2
	4,12,453,457	220786	1
X	Spacer 28,31,458	X-400-89	2
Y1	Webbing (upper bracket) 35,36,460	X-295-35	2
Y2	Webbing (lower bracket) 35,36,460	X-295-25	2

GEAR REDUCTION **16**

INDEX LTR.	DESCRIPTION VARIATION NUMBER	PART NUMBER	QTY
A	Plug, pipe 1/4 2	X-75-2	1
	3	X-75-2	2
B	Seal, oil 2,3	X-379-7	1
C	Plug, vent 2,3	205013	1
D	Cover, housing 2	235244	1
	3	235534	1
E	Bearing, needle 2,3	235250	1
F	Washer, thrust 2,3	235247	1

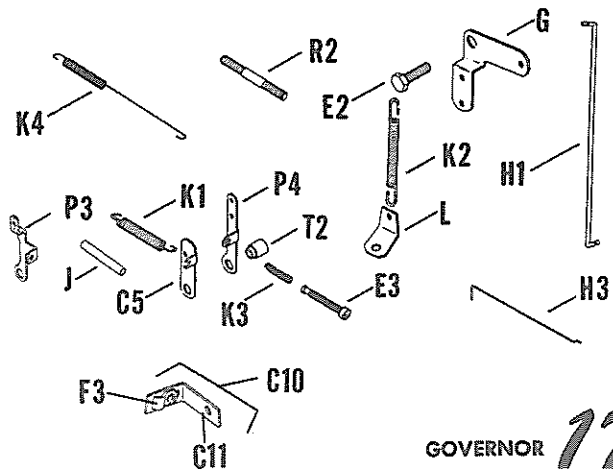


INDEX LTR.	DESCRIPTION VARIATION NUMBER	PART NUMBER	QTY.	INDEX LTR.	DESCRIPTION VARIATION NUMBER	PART NUMBER	QTY.
G	Shaft 2,3	235249	1	N	Washer, brass 13/32 I.D. x 11/16 O.D. x 1/16 2	X-25-67	2
H	Key, woodruff #13 2,3	X-46-3	1		Washer, copper 25/64 I.D. x 5/8 O.D. x 1/16 3	S-368	2
J	Gear 2	235245	1	O	Housing, gear 2	235243	1
	Gear (Discontinued--Not Available) 3	235535	1		3	235533	1
K	Washer, thrust 2,3	235248	1	P	Seal, oil 2	X-271-30	1
L	Gasket .03125 2	230218	1		3	235531	1
	3	235537	1	Q	Bearing, needle 2	235251	1
	Gasket .005 3	235538	1		Bearing, shaft 3	235532	1
	Gasket .015 3	236651	A.R.	R	Screw, hex. hd., Z.P. 5/16 - 18 x 2 2	X-6-29	4
	Gasket .020 3	236652	A.R.		Screw, hex. hd. 5/16 - 18 x 1-1/2 3	230175	8
M	Screw, hex. hd. 3/8 - 16 x 1 2,3	270677	4				



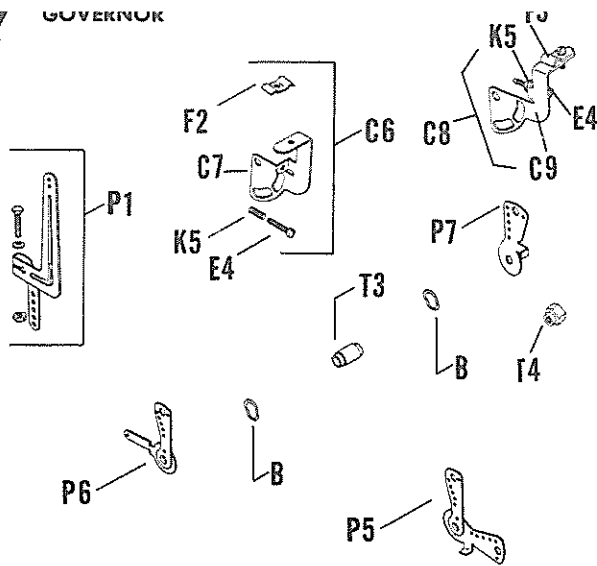
INDEX LTR.	DESCRIPTION VARIATION NUMBER	PART NUMBER	QTY.
Use stock of original part number before ordering replacement.			
A	Pin, governor stop ALL	231355	1
B	Washer, tension 1,2,6,7,9,12,13,14,15,16, 17,19,20,22,27,28,29,33, 36,37,800,801,802	275690	1
	10,31,32	275690	2
C1	Bracket, speed control 1,2,6,7,9,10,12,13,14, 15,16,20,27,28,29,33,36, 800,801,802	235086	1
	17	236249	1
C2	Bracket, adjusting screw 1,2,7,9,10,12,13,14,15, 16,17,20,27,28,29,33,800, 802	235084	1
C3	Bracket, throttle lever 4	235343	1
C4	Bracket, throttle - assembly (Includes 235603 clip) 15,16,20,27,802	A-237559	1
C5	Bracket, speed control 19,22	236413	1
C6	Bracket, control - assembly (Includes C7,E4,F2 & K5) 31	47 217 06	1
	32	47 217 05	1
C7	Bracket, control 31,32	47 126 09	1
C8	Bracket, control - assembly (Includes C9,E4,F3 & K5) 37	47 217 09	1

C9	Bracket, control 37	47 126 13	1
C10	Bracket, choke assembly (Includes C11 & F3) 37	47 217 08	1
C11	Bracket, choke 37	47 126 12	1
	Bracket, throttle 37	47 126 14	1
D	Kit, governor cross shaft (Includes X-400-80 spacer) (Use 237455 shaft after serial no. 3173783) 1,2,4,6,7,9,10,11,12, 13,14,15,16,17,19,20, 22,23,25,800,801	A-235256-S	1
	Shaft, governor cross 27,28,29,31,32,33,36, 37,38,802	237455	1
E1	Screw, shoulder 1,2,10,33	235477	1
E2	Screw, special shoulder 4	235349	1
E3	Screw, adjusting 19,22	237574	1
E4	Screw 31,32,37	232556	1
F1	Clamp, swivel wire (Replaced by 48 237 01) 9,13,14,15,16,17,20,27, 28,32,800	231052	1
	Clamp, swivel wire (Replaced by 48 755 10 kit) 802	48 237 02	1
F2	Clamp 31,32	47 237 02	1
F3	Clamp 37	235778	2
G	Bellcrank 4	235346	1



GOVERNOR

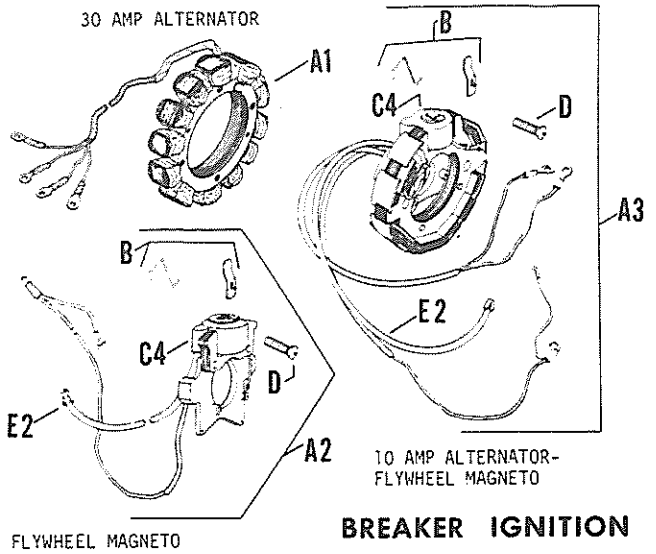
17



INDEX LTR.	DESCRIPTION VARIATION NUMBER	PART NUMBER	QTY.
H1	Linkage, throttle lever to bellcrank 4	235345	1
H2	Linkage, bellcrank to governor arm 4	235348	1
H3	Linkage, choke 31,32	47 079 01	1
J	Damper, spring 33	45 263 01	1
K1	Spring, governor 1,6,7,9,10,12,13,15,16, 17,19,20,22,23,25,27,28, 29,36,38,800,801,802	235496	1
	2,14,33	235495	1
	4	231070	1
K2	Spring 13,29	152631	1
K3	Spring 19,22	237573	1
K4	Spring, governor 31,32,37	47 091 01	1
K5	Spring 31,32,37	232555	1
L	Arm, spring 4	235347	1
M	Clip 15,16,20,27,802	235603	1
N	Bushing ALL	235476	1

0	Gear, governor 1,6,7,9,11,12,13,14,15, 16,17,19,20,22,23,25,27, 28,29,31,32,37,38,800, 801	A-237031	1
	Kit, governor gear (Includes W) 2,33,36	A-236294-S	1
	10,802	A-235743-S	1
P1	Lever, governor (Includes 1 screw X-776-1, 1 washer X-25-72 and 1 nut X-81-1) 1,2,4,6,7,9,10,11,12,13, 14,15,16,17,19,20,22,23, 25,27,28,29,33,36,38,800, 801	A-237653	1
	31,32,37,802	45 087 03	1
P2	Lever, throttle 4	235344	1
P3	Lever, adjusting screw 19	237833	1
P4	Lever, adjusting screw 22	237069	1
P5	Lever, throttle control 31	47 090 08	1
P6	Lever, choke control 31	47 090 07	1
	32	47 090 06	1
P7	Lever, throttle control 32	47 090 04	1
	37	47 090 09	1
Q	Retainer, rod 1,2,4,6,7,9,11,12,13,14, 15,16,17,19,20,23,25,27, 28,29,31,32,33,36,37,38, 800,801,802	235278	1
R1	Rod, ball joint 1,2,4,6,7,9,11,12,13,14, 15,16,17,19,20,23,25,27, 28,29,31,32,33,37,38,800, 801	235277	1
R2	Rod, throttle 2,22,33	235078	1
	10	271219	1
S1	Ball joint 1,4,6,7,9,11,12,13,14,15, 16,17,19,20,23,25,27,28, 29,31,32,800,801	237130	1
	2,10,22,33	237130	2
S2	Ball joint 37	45 208 03	1

T1	Spacer (Use only on engines after serial no. 3173783) 1,2,4,6,7,9,10,11,12,13, 14,15,16,17,19,20,22,23, 25,27,28,29,31,32,33,36, 37,38,800,801,802	X-400-80	1
T2	Spacer 1,6,7,9,10,12,13,14,15, 16,17,20,27,28,29,36, 800,801,802	235085	1
	2,33	45 112 01	1
	19,22	236415	1
T3	Spacer 31,32	47 112 02	1
T4	37	47 112 03	1
U	Washer, thrust (Use with nylon gear) (Use X-25-67 with steel gear) 1,2,6,7,9,10,11,12,13, 14,15,16,17,19,20,22,23, 25,27,28,29,31,32,33,36, 37,38,800,801,802	237022	1

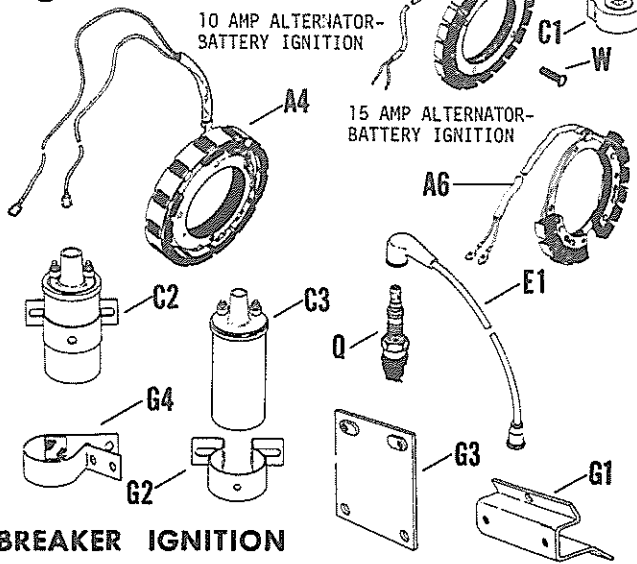


18 IGNITION

INDEX LTR.	DESCRIPTION VARIATION NUMBER	PART NUMBER	QTY.
	Use stock of original part number before ordering replacement.		
A1	Stator 49	277063	1
A2	Stator, magneto - assem. (Includes B,C4,D & E2) 50,55,58,63,64,65,66,78, 82,93,105,122,133,136,510	A-235741	1
	Stator, magneto (Replaced by 47 085 10) 132,139	47 085 09	1
A3	Stator, magneto - alternator (Includes B,C2,D & E2) (Replaced by 237876 kit) 62,68	A-234388	1
	75,76	A-236776	1
A4	Stator 85	237065	1
A5	Kit, stator 90,99,104,106,111,112,113, 114,115,121,124,126,129,131, 134,135,137,138,145,146,503, 504,505,506,507,508,511	237878	1
	Stator 127	237716	1
A6	Stator 140,144	45 085 02	1
A7	Stator, magneto - assem. (Includes B,C4,E2 & X) 153	47 085 13	1

INDEX LTR.	DESCRIPTION VARIATION NUMBER	PART NUMBER	QTY.
B	Kit, coil clip 50,55,58,60,62,63,64,65, 66,68,75,76,78,82,93, 105,122,153,510	237919	1
C1	Coil, magneto 1,2,5,8,15,16,20,27,29, 30,34,36,42	275756	1
C2	Coil, ignition 12 volt 7,12,17,18,19,25,31,32,33, 35,41,45,46,49,51,60,67, 77,90,104,106,107,109,111, 112,113,114,115,118,121, 124,127,129,130,131,134, 135,137,138,140,144,145, 146,500,502,503,504,505, 506,507,508,511	231281	1
C3	Coil, ignition 12 Volt (Replaced by 231281) 53	232845	1
C4	Coil, ignition 12 volt 23,74,85,99,126	47 145 01	1
D	Screw 50,55,58,62,63,64,65, 66,68,75,76,78,82,93, 105,122,510	234423	1

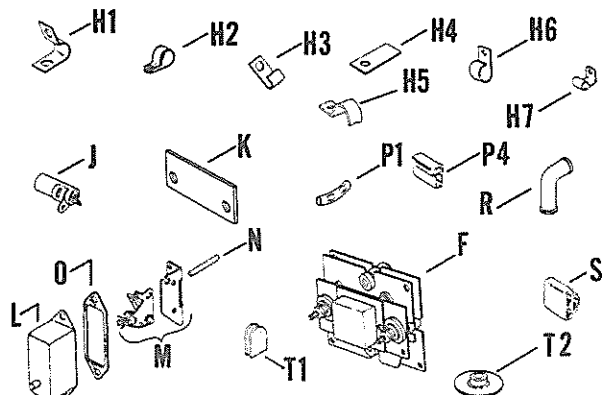
18 IGNITION



BREAKER IGNITION

INDEX LTR.	DESCRIPTION VARIATION NUMBER	PART NUMBER	QTY.
E1	Cable, hi-tension 24-1/2 1,2,3,4,5,8,15,16,20, 22,27,29,30,34,36,42	A-275664	1
	Kit, hi-tension 7,12,17,18,19,23,25,31,33, 35,41,45,46,49,51,53,60, 67,74,77,85,90,99,104,106, 107,109,111,112,113,114, 115,118,121,124,126,127, 129,130,131,134,135,137, 138,140,144,145,146,500, 501,503,504,505,506,507, 508,511	238057	1
	Cable, hi-tension (Replaced by 238057) 32,502	A-232542	1
	Cable, hi-tension 130	47 348 03	1
E2	Cable, hi-tension 50,55,58,62,63,64,65,66, 68,75,76,78,82,93,105,122, 153,510	234424	1
F	Regulator 49	277064	1
G1	Bracket, coil mounting 7,12,23,35,41	235563	1
G2	Bracket, coil mounting 23,74	231879	1
G3	Bracket, coil mounting 46	235888	1
G4	Bracket, coil mounting 85,99	237253	1
	126	47 217 07	1

H1	Clip, cable 1/2 wide 1,2,3,4,5,7,8,12,15,16,20, 22,23,27,29,30,32,34,35, 36,41,42,46,50,55,58,62, 63,64,65,66,68,74,76,78, 82,90,105,122,132,133, 136,139,153,502,510	275183	1
	Clip 7/16 wide 50,55,58,63,64,65,66,78, 82,85,90,93,99,104,105, 106,111,112,113,114,115, 121,122,124,126,127,131, 133,134,135,136,137,138, 140,144,145,146,503,504, 505,506,507,508,510,511	X-728-1	1
H2	Clip 1,2,3,4,5,8,15,16,20, 22,27,29,30,34,36,42	X-339-4	1
H3	Clip 1,2,3,4,7,15,16,17,18, 20,22,23,25,27,29,30,31, 32,33,34,35,36,41,42,45, 46,50,51,53,55,58,60,62, 64,65,66,67,68,74,75,76, 77,78,82,90,93,104,105, 106,107,109,111,112,113, 114,115,118,121,126,127, 129,130,131,133,135,501, 502,503,504,505,506,507, 508	275182	1
	5,8,12,19,122,124,132,134, 136,137,138,139,140,144, 145,146,153,500,510,511	275303	1
H4	Clip 62,68	232510	1
H5	Clip 7/8 (plastic coated) 62,68,75,76	236450	1
	Clip 1/2 (plastic coated) 32,132,139,153	234531	1
H6	Clip 85,99,115	234511	1
	Clip (plastic coated) 124,126,131,135,145,146	47 154 01	1
	140	48 154 02	1

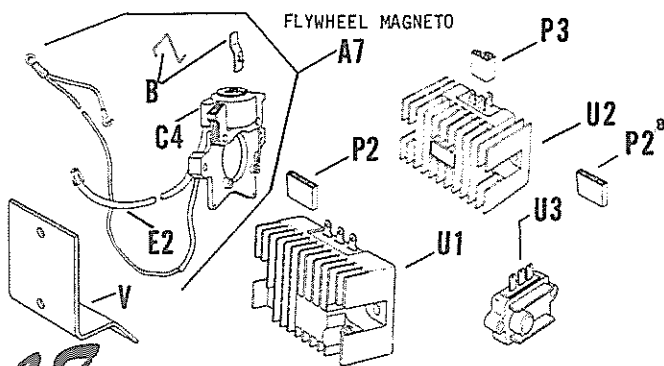


BREAKER IGNITION

IGNITION 18

H7	Clip, cable 109	237601	1
J	Condenser 1,2,5,8,15,16,20,27,29, 30,34,36,42	220434	1
	Condenser 7,12,17,18,23,25,31,33, 35,41,45,46,49,51,53,60, 67,74,77,90,104,106,107, 109,111,112,113,114,115, 118,121,124,126,127,129, 130,131,135,137,138,140, 144,145,146,500,501,502, 503,504,505,506,507,508, 511	230722	1
	Condenser (Replaced by 47 147 01) 50,55,58,62,63,64,65,66, 68,75,76,78,82,85,93,99, 105,122,132,133,136,139,153	235786	1
	Condenser 153,510	47 147 01	1
	Condenser w/lead 42	A-235648	1
K	Backplate, coil 67,124,131,135,146	234323	1
L	Cover, breaker ALL (Except 80,83,84,86, 94,97,100,103,108,110)	A-220136	1
M	Breaker (Replaced by 47 150 03) (When installing 47 150 03 breaker, on engines below serial number 13007371, always install new push rod 47 411 04.) ALL (except 80,83,84,86, 94,97,100,103,108,110)	47 150 01	1
N	Rod, breaker ALL (Except 80,83,84,86, 94,97,100,103,108,110)	47 411 04	1
O	Gasket, cover (Replaced by 52 041 11) ALL (Except 80,83,84,86, 94,97,100,103,108,110,510, 511)	220174	1
	Gasket, cover 510,511	52 041 11	1
P1	Connector 42	X-367-1	1

P2	Connector (Use with 234279 or 41 403 05 rectifier) 62,75,76,83,84,94,97,124, 126,131,135,138,145,146, 505,508,509,511,512	236602	1
P3	Connector (Use with 237335 rectifier) 90,104,111,114,115,121, 127,129,503,504,506,507	237429	1
P4	Connector 113,124,126,131,134,135, 145,146	48 155 02	1
Q	Plug, spark 1,2,3,4,5,7,12,17,18, 19,20,22,23,25,27,29, 30,32,33,36,41,42,46, 49,50,55,58,60,62,63, 66,68,74,75,76,77,82, 85,90,104,105,111,112, 114,115,118,121,127,130, 131,134,140,500,502,505, 506,507	235040-S	1
	8,15,16,31,34,35,45,64, 65,78,93,99,106,109,113, 122,124,126,129,132,135, 136,137,138,139,144,145, 146,153,503,504,508,511	235041-S	1
	51	235710-S	1
	53,107,501	235976-S	1
	67	41 132 02	1
	133,510	47 132 02	1
R	Boot, spark plug 50,55,58,62,63,64,65, 66,68,75,76,78,82,93, 105,122,132,133,136,139, 153,510	220791	1
S	Block, terminal 75,76,140,144	236473	1
	85,99	237088	1
T1	Grommet ALL	220297	1
T2	Grommet, spark plug 124,126,131,135,146	47 313 01	1
U1	Rectifier - regulator (10 amp) 62,75,76,83,84,94	234279	1
U2	Rectifier - regulator (15 amp) 90,104,111,114,115,121, 127,129,503,504,506,507	237335	1
U3	Rectifier - regulator (15 amp) 124,126,131,135,138,145, 146,505,508,509,511,512	41 403 05	1
V	Bracket, rectifier 76,83,104,121,127,138,504, 506	47 126 01	1
W	Screw, R.H. 10-24x3/4 511	X-778-1	4
	NOT ILLUSTRATED Lead (7"-14 gauge-locking tang female 1/4)	47 518 13	1
	511		
X	Coil, pulse (NOT ILLUSTRATED) 153	47 519 23	1



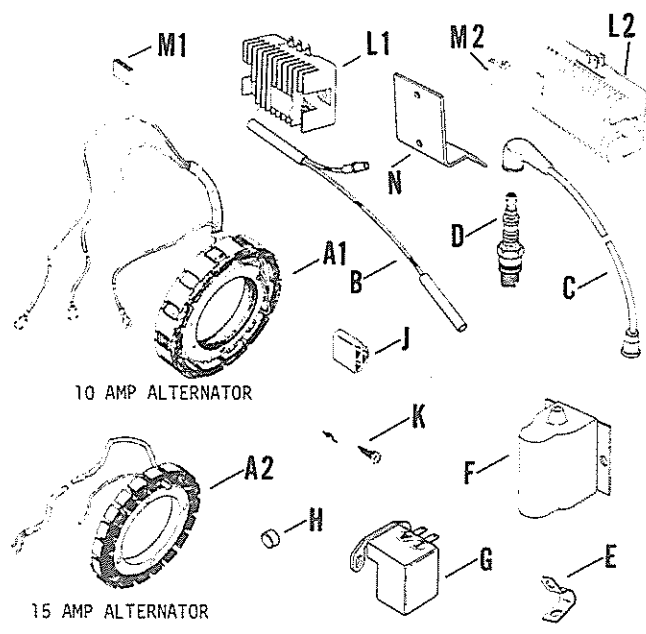
18 IGNITION

A1	Kit, stator 80,83,84,86,94,97	237877	1
A2	Stator 100	237879	1
	Stator (Replaced by 237879 kit) 103,108,110	237269	1
B	Lead, trigger 80,86,103,108	236814	1
	83,94,97	237125	1
	110	237105	1
	Lead, trigger (Replaced by 238060 kit) 84,100	237266	1
C	Kit, hi-tension 80,83,84,86,94,97,100,103, 108,110	238057	1
D	Plug, spark 80,83,84,86,94,97,100, 103,108,110	235040-S	1
E	Clip 7/16 wide 80,83,84,86,94,97,100, 103,108,110	X-728-1	1
	Clip 1/2 wide 110	275183	1
F	Coil, ignition 80,83,84,86,94,97,100, 103,108,110	236826	1
G	Trigger 80,83,84,86,94,97,100, 103,108,110	A-237339	1

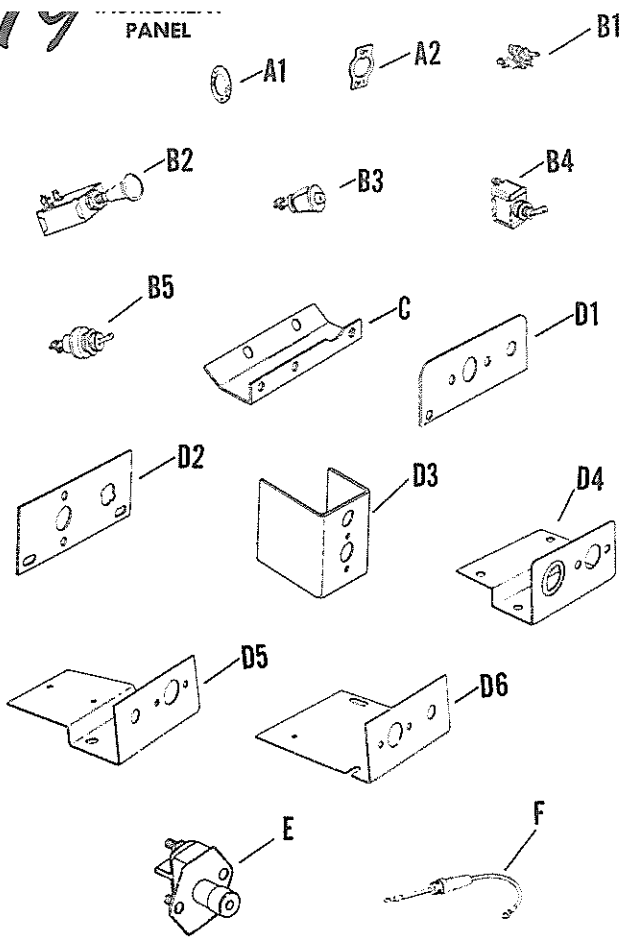
H	Plug, cap 80,83,84,86,94,97,100, 103,108,110	X-702-1	1
J	Block, terminal 84,100,140	236473	1
K	Sleeving 80,83,84,86,94,97,100, 103,110	X-715-3	1
L1	Rectifier - regulator (10 amp) 83,84,94,97	234279	1
L2	Rectifier - regulator (15 amp) 108	237335	1
M1	Connector 83,84,94,97	236602	1
M2	Connector 108	237429	1
N	Bracket, rectifier 76,83	47 126 01	1

INSTRUMENT PANEL 19

INDEX LTR.	DESCRIPTION VARIATION NUMBER	PART NUMBER	QTY.
	Use stock of original part number before ordering replacement.		
A1	Plate, switch instruction 2,7,9,11,353	223073	1
	13,14,16,17,19	236654	1
A2	Plate, switch instruction 20,23,24,26,27,29,351	220725	1
	350	151508	1
B1	Kit, ignition switch (Includes 220725 instruction plate) 1,3,8,352	223072-S	1
B2	Switch, ignition 2,7,9,11,353	275713	1
B3	Switch, ignition 13,14,16,17,19	236435	1
B4	Switch, ignition 20,23,24,26,27,29	238011	1
B5	Switch, ignition 350,351	234690	1
C	Bracket, panel 13,14,20,26	237386	1
	29,32	47 126 16	1
D1	Panel, switch 1,2,8,9,352	235720	1

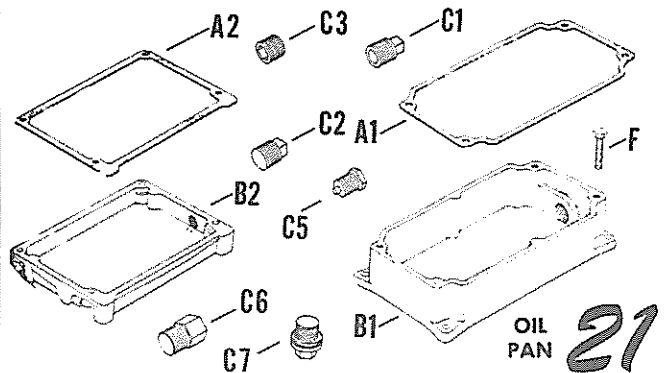


18 IGNITION BREAKERLESS IGNITION



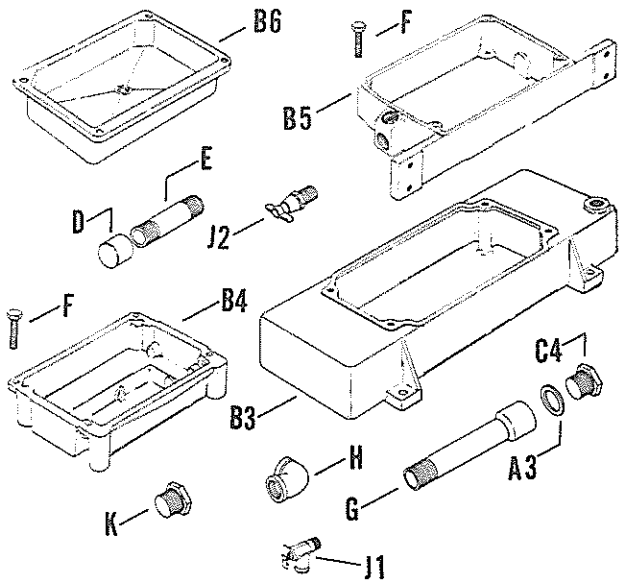
INDEX LTR.	DESCRIPTION VARIATION NUMBER	PART NUMBER	QTY.
D2	Panel, switch 13,14	236595	1
	20,26,29	237594	1
D3	Panel, switch (Discontinued--Not Available)		
	16,19	236579	1
D4	Panel, switch 17	237009	1
D5	Panel, switch 23	237596	1
D6	Panel, switch 24,27	237595	1
E	Switch, starter 1,2,3,7,8,9,11,13,14,16, 17,19,20,23,24,26,27,29, 352,353	230442	1
F	Holder, fuse 29	41 323 02	1

INDEX LTR.	DESCRIPTION VARIATION NUMBER	PART NUMBER	QTY.
Use stock of original part number before ordering replacement.			
A1	Gasket, pan 1,2,3,4,5,6,7,9,13,14,15, 17,20,25,35,36,38,43,46,54	235057	1
A2	Gasket, pan 11,12,19,21,23,27,28, 34,37,39,40,41,42,45, 47,48,51	235353	1
	52	47 041 07	1
A3	Gasket, drain plug 13	241063	1
B1	Pan, oil (Side drain) 1,2,3,4,5,6,7,13,14, 35,36,43,46	235115	1
	20	235338	1
	25,38	237763	1
	Pan, oil (Rear drain) 9	235305	1
	Pan, oil (Bottom drain) 15	235147	1
	Pan, oil (Side drains) 54	47 199 10	1
B2	Pan, oil (Drain on carburetor side) 11,19	236265	1
	Pan, oil (Bottom drain) (Replaced by 237588) 12,34	235352	1
	Pan, oil (Bottom drain) 41,47	237588	1
	Pan, oil (Side drain) (Discontinued--Not Available) 21	236207	1
	Pan, oil (Side drain) 23	235709	1
	Pan, oil (Rear drain) 27	235990	1
B3	Pan, oil (Side drain) 17	235328	1



OIL PAN 21

21

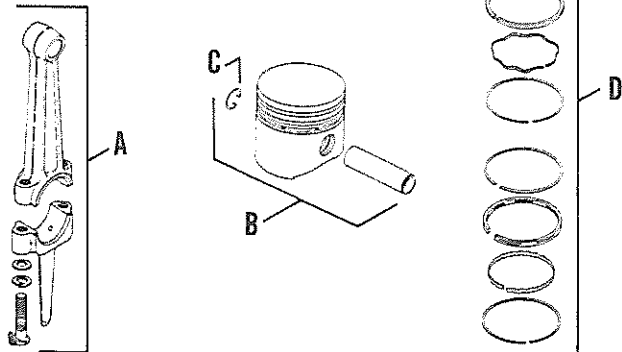


INDEX LTR.	DESCRIPTION VARIATION NUMBER	PART NUMBER	QTY.
B4	Pan, oil (Bottom drain) 28 51	47 199 01 47 199 08	1 1
	Pan, oil (Side drain) (Replaced by 47 199 02) 45	237808	1
	Pan, oil (Side drain) 48	47 199 04	1
	Pan, oil (Bottom drain) 37,42	235930	1
B5	Pan, oil (Side drain) 39,40	237462	1
B6	Pan, oil (Bottom drain) 52	47 199 07	1
C1	Plug, drain 3/4 sq. hd. (Replaced by X-75-6) 1,2,4,7,9,20,40,46	X-75-24	1
C2	Plug, drain 3/4 sq. hd. 1,36	X-75-6	1
	Plug, drain 3/8 sq. hd. 12,15,19,21,23,25,27, 37,38,47,52	X-75-10	1
	Plug, drain 1/8 sq. hd. 17	X-75-1	2
	Plug, drain 1/4 sq. hd. 28,45,48,51	X-75-2	1
C3	Plug, drain 3/8 hex. ctsk. 11	X-75-32	1
	Plug, drain 3/4 hex. ctsk. 14	X-75-31	1

INDEX LTR.	DESCRIPTION VARIATION NUMBER	PART NUMBER	QTY.
C4	Plug, pipe 9/16 hex. hd. 13	241062	1
C5	Plug, magnetic drain 3/8 17	X-305-4	1
C6	Plug, drain 3/8 34	234661	1
C7	Plug, drain (Replaced by X-708-2) 41	X-708-1	1
D	Cap, pipe 3/4 3,5,6,33,35	X-268-1	1
E	Pipe 3/4 x 2-3/16 3,5,33,35	X-206-10	1
	Pipe 3/4 x 8 (Discontinued--Not Available) 6	X-206-17	1
	Pipe 3/4 x 2-1/2 36,40,43	X-206-4	1
F	Screw, hex. hd. 3/8 - 16 x 1-3/4 2,7,14	270721	2
	Screw, hex. hd. 3/8 - 16 x 1-1/2 4,5,7,35,46	270158	2
	28	270158	4
G	Tube, oil drain 13	241065	1
H	Elbow 3/4 36,40,43	X-215-2	1
J1	Valve 39	238123	1
J2	Valve 40,43	X-256-1	1
K	Bushing, reducer 3/4 39,40,43	X-202-23	1

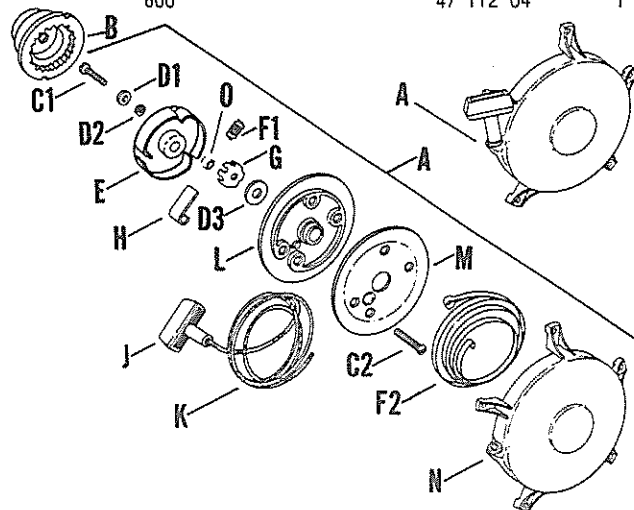
PISTON AND ROD 22

INDEX LTR.	DESCRIPTION VARIATION NUMBER	PART NUMBER	QTY.
Use stock of original part number before ordering replacement.			
A	Rod, connecting (Replaced by 47 067 03) 1,2,6	A-235139	1
	Rod, connecting-.010 U.S. (Replaced by 47 067 04)	A-235139-10	
	Rod, connecting (Replaced by 47 067 01) 3,5	A-235383	1
	Rod, connecting-.010 U.S. (Replaced by 47 067 02)	A-235383-10	



INDEX LTR.	DESCRIPTION VARIATION NUMBER	PART NUMBER	QTY.
B	Piston - assembly--Std. (Includes pin & retainers) ALL	47 074 11	1
	Piston - assembly--.003 (Includes pin & retainers)	47 074 12	
	Piston - assembly--.010 (Includes pin & retainers)	47 074 13	
	Piston - assembly--.020 (Includes pin & retainers)	47 074 14	
	Piston - assembly--.030 (Includes pin & retainers)	47 074 15	
C	Retainer, pin (Replaced by 47 018 01) ALL	235004	2
D	Ring set--Std. & .003 ALL	235287	1
	Ring set--.010	235288	
	Ring set--.020	235289	
	Ring set--.030	235290	

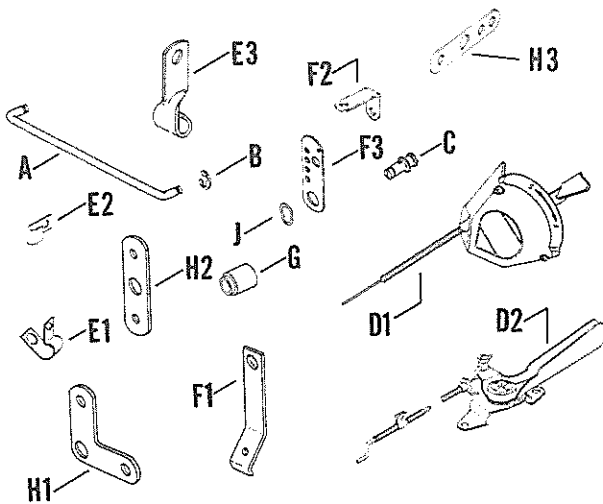
C1	Screw, hex. hd. #10 - 32 x 5/8 1,2,3,600	231691	1
C2	Screw 1,2,3,600	231683	4
D1	Washer 1,2,3,600	231690	1
D2	Washer 1,2,3,600	231693	1
D3	Washer, thrust 1,2,3,600	231692	1
E	Retainer 1,2,3,600	231699	1
F1	Spring, retainer 1,2,3,600	232525	1
F2	Spring, recoil 1,2,3,600	231705	1
G	Brake 1,2,3,600	231689	1
H	Dogs 1,2,3,600	231695	3
J	Handle 1,2,3,600	234452	1
K	Rope #6 - 66" 1,2,3,600	231686	1
L	Pulley 1,2,3,600	231697	1
M	Sheave 1,2,3,600	231685	1
N	Housing 1	235754	1
	2,3,600	235696	1
O	Spacer, nylon 600	47 112 04	1



23 RETRACTABLE STARTER

INDEX LTR.	DESCRIPTION VARIATION NUMBER	PART NUMBER	QTY.
A	Starter, recoil - assem. (Includes C1 thru N) 1	A-235691	1
	2	A-235943	1
	600	47 165 01	1
	Starter, recoil - assem. (Includes C1 thru N) Includes A-235943 starter & 237377 screen) 3	47 755 03	1
B	Cup 1	231700	1
	2,3,600	235685	1

RETRACTABLE STARTER 23



F3	Bracket, speed control 10,16,20,22	235086	1
G	Spacer 8,16,22	235085	1
	10,20	235085	2
	11,22	235626	1
H1	Bellcrank 8	235316	1
H2	Bellcrank 10,11,22	235550	1
	20	236752	1
H3	Bellcrank 16	47 257 01	1
J	Washer, tension 8,11,16	275690	1
	10,20,22	275690	2

INDEX LTR.	DESCRIPTION VARIATION NUMBER	PART NUMBER	QTY.
A	Rod, throttle 8,10,11,22	235317	1
	16,20	235756	1
B	Retainer, ring 8,10,11,16,20,22	235278	2
C	Clamp, swivel wire (Replaced by 48 237 01) 2,3,8,10,11,20,22	231052	1
	Clamp, swivel wire 16	48 237 01	1
D1	Control, throttle 5-5/8 1	235160	1
D2	Lever, throttle (72" cable) 2	225011-6	1
	Lever, throttle (40" cable) (See chart) 3	225011-7	1
E1	Clip, cable 2,3,4,8,701	275329	1
	15,700	210149	1
E2	Clip, cable 9	231285	1
	19,23	231285	2
E3	Clip, cable 9	235454	1
F1	Bracket, throttle cable 9,12,19	235180	1
F2	Bracket, adjusting screw 10,16,20,22	235084	1

THROTTLE LEVERS

To simplify stock requirements, throttle levers are furnished only in certain wire lengths. The following applies to the K241.

225011-7: Use to replace levers with 12" to 40" long wires.

When using this lever, the wire and casing must be cut to match the length of the unit it replaces. Instructions will be packaged with this replacement lever.

HIGH TEMPERATURE CUTOUT 31



INDEX LTR.	DESCRIPTION VARIATION NUMBER	PART NUMBER	QTY.
A	Cutout, hi-temperature 2	230989	1

4629	Kit, ignition sw. Switch, starter Panel, switch	223072-5 230442 235720	46211	Rod, ball joint Retainer, rod	235277 235278	Gasket Cable, ignition Clip Nut, wing	275341 A-232542 275183 X-276-7	
4642	Tank, fuel - assem. Elbow, compression	A-275263 220146	46213	Nut, wing Gasket, cleaner Clamp, swivel wire Element, cleaner Base, cleaner Guard, belt Muffler	X-276-7 AC-1787 231052 235116 235123 235554 275679	46325	Solenoid, starting	A-243823
4653	Regulator, voltage Pulley	235238 275669	46215	Muffler	275679	46330	Regulator, primary	A-220579
4666	Regulator, voltage	270952	46216	Filter, fuel	A-210101	46333	Muffler	275679
4667	Regulator, voltage	270952	46219	Muffler	275679	46341	Pulley Guard, belt Clip (2)	235260 235529 235603
4691	Webbing (2) Valve, fuel Bracket Tank Strap (2) Line, fuel	X-295-20 220764 236934 235164 237639 X-386-22	46227	Nipple Pulley, generator Muffler Clip, cable	X-218-22 235260 275679 275329	46352	Gasket, exhaust Pulley, generator	235122 235260
46107	Regulator, voltage	235238	46250	Solenoid, starter	243823	46355	Pulley, generator Muffler	235260 275679
46109	Pulley, generator	236260	46254	Regulator, voltage	270952	46363	Tank, fuel	236684
46111	Regulator, voltage Clamp, swivel wire Motor, gen.-assem. Pulley	270952 231053 B-275847 235280	46264	Condenser Guard, belt	230722 235719	46379	Pulley	235751
46118	Regulator, voltage	A-235323	46265	Pulley, generator	235260	46397	Pulley Guard, belt Clip (2)	235260 235529 235603
46122	Guard, belt Clamp, swivel wire	235719 231052	46287	Filter, fuel	A-210101	46405	Condenser Coil, ignition Muffler Starter, generator Pulley, generator	230722 231281 275679 B-275847 235260
46126	Regulator, primary Pulley Regulator, voltage Motor, gen.-assem.	A-220579 235260 270952 B-275847	46292	Regulator, voltage	270952	46416	Regulator Connector	237335 237429
46135	Muffler	275679	46295	Line, fuel Connector Nut, lock Filter, fuel Muffler	X-386-20 X-495-1 AC-1536 A-210101 275679	46422	Pulley Guard, belt Clip	235260 235529 235603
46148	Filter, fuel Clamp, swivel wire Pulley, generator	A-210101 231052 235260	46306	Guard, belt Regulator, voltage	235704 270952	46427	Clip	210149
46149	Filter, fuel Rope	A-210101 A-230099	46311	Line, fuel Connector Nut, lock Filter, fuel Sleeve Nut Muffler	X-284-15 231509 AC-1536 A-210101 220547 220786 275679	46428	Rod, ball joint Retainer, rod	235277 235278
46150	Clamp, swivel wire Guard, belt Muffler	231052 235719 275679	46315	Regulator, voltage	270952	46481	Nut Gasket Cleaner	X-276-7 AC-1787 151834
46161	Filter, fuel Regulator, voltage	A-210101 270952	46319	Nut Base Cover Element Pulley Gasket	X-276-7 235101 235102 235116 235751 275341	46484	Nut Base Cover Element Gasket	X-276-7 235101 235102 235116 275341
46163	Clamp, swivel wire	231052	46323	Muffler	275679	46512	Regulator	234279
46178	Regulator, voltage	270952	46324	Pulley, generator Clip Condenser Coil Cleaner, air Bracket, choke	235260 210149 230722 231281 A-235100 235374	46513	Regulator	234279
46190	Line, fuel Nut, lock Filter, fuel Sleeve Nut Connector Muffler	X-294-15 AC-1536 A-210101 220547 220786 231509 275679	46515	Plate Switch Regulator, voltage Switch	223073 230442 270952 275713	46518	Regulator Gasket	234279 235122
46203	Guard, belt Condenser	235719 230722						

No.	Description	No.	No.	Description	No.	No.	Description	No.
46519	Condenser Guard, belt	230722 235719	46586	Muffler	275679	46696	Spacer (2) Gasket, oil pan Gasket, exhaust	X-400-71 235353 235122
46520	Regulator Clip (2)	234279 235603	46587	Tank, fuel	236684	46699	Nut Gasket Base Regulator Element Cover Stud	X-276-7 AC-1787 235123 237335 277138 277142 280151
46520E	Regulator Clip (2)	234279 235603	46617	Gasket	235122	46709	Nut Gasket Base Element Cover Stud	X-276-7 AC-1787 235123 277138 277142 280151
46523	Pulley Guard, belt Clip (2)	235260 235529 235603	46627	Bracket, belt guard Guard, belt Gasket, oil pan Spacer (2)	235066 235719 235353 X-400-71	46716	Rod Retainer	235277 235278
46527	Pulley Guard, belt Clip (2)	235260 235529 235603	46650	Rod, ball joint Retainer, rod	235277 235278	46726	Spacer (2) Gasket, exhaust	X-400-71 235122
46537	Pulley Guard, belt Clip (2)	235260 235529 235603	46651	Line, fuel Nut Filter, fuel Sleeve Nut Connector Muffler	X-294-5 AC-1536 A-210101 220547 220786 231509 275679	46817	Line, fuel Tank, fuel	X-811-1 235164
46538	Pulley Guard, belt Clip (2)	235260 235529 235603	46652	Nipple Muffler	X-218-23 275679	46819	Spacer (2) Line, fuel Tank, fuel Valve, shut off	X-400-89 X-811-1 235164 47 462 01
46545	Regulator Condenser Coil Kit, hi-tension lead Gasket	277064 230722 231281 238057 235122	46659	Spacer (2) Gasket, oil pan	X-400-71 235353	46820	Muffler	275679
46552	Muffler	275679	46670	Gasket Tank Strap, tank (2) Bracket, tank	235122 235935 A-236942 237898	46826	Rope Rod Retainer	A-230099 235277 235278
46560	Guard, belt Condenser	235719 230722	46674	Spacer (2) Gasket, oil pan	X-400-71 235353	46827	Rod Retainer	235277 235278
46565	Filter, fuel	A-210101	46677	Muffler	275679	46830	Muffler	275679
46469	Pulley, generator	235260	46691	Nut Base Cover Element Gasket	X-276-7 235101 235102 235116 275341	46832	Holder, fuse assembly Relay Switch Switch, throttle	41 323 02 48 404 02 270232 238011
46580	Gasket	235122						
46582	Condenser Guard, belt	230722 235719						
46585	Gasket, exhaust Tank Bracket, tank Strap, tank (2)	235122 235935 237898 A-236942						

GASKET SET - 47 755 08
(WITH SEALS)

GASKET SET - 47 004 01
(WITHOUT SEALS)

<u>Part No.</u>	<u>Description</u>	<u>Part No.</u>	<u>Description</u>
47 032 06	Seal, front oil	52 041 11	Gasket, breaker cover
47 032 07	Seal, rear oil	231032	Seal, breather
52 041 11	Gasket, breaker cover	235025	Gasket, camshaft cover
231032	Seal, breather	235048	Gasket, valve cover
235025	Gasket, camshaft cover	235057	Gasket, oil pan
235048	Gasket, breather plate	235070	Gasket, bearing plate
235057	Gasket, oil pan	235122	Gasket, exhaust
235070	Gasket, bearing plate	47 041 07	Gasket, oil pan
235122	Gasket, exhaust	235757	Gasket, bearing plate
47 041 07	Gasket, oil pan	237064	Gasket, oil fill tube
235757	Gasket, bearing plate	237658	Gasket, cylinder head
237064	Gasket, oil fill tube	271030	Gasket, carburetor
237658	Gasket, cylinder head	275144	Gasket, valve cover
271030	Gasket, carburetor	275341	Gasket, air horn
275144	Gasket, valve cover	47 041 04	Gasket, fuel pump
275341	Gasket, air horn	47 041 02	Gasket
47 041 04	Gasket, fuel pump	47 049 01	Gasket, carburetor
47 041 02	Gasket		
47 049 01	Gasket		

KOHLER engines

ENGINE DIVISION, KOHLER CO., KOHLER, WISCONSIN 53044

FOR SALES AND SERVICE INFORMATION
IN U.S. AND CANADA, CALL
1-800-544-2444

FORM NO.:	TP-404-C
ISSUED:	3/82
REVISED:	7/93
MAILED:	

LITHO IN U.S.A.