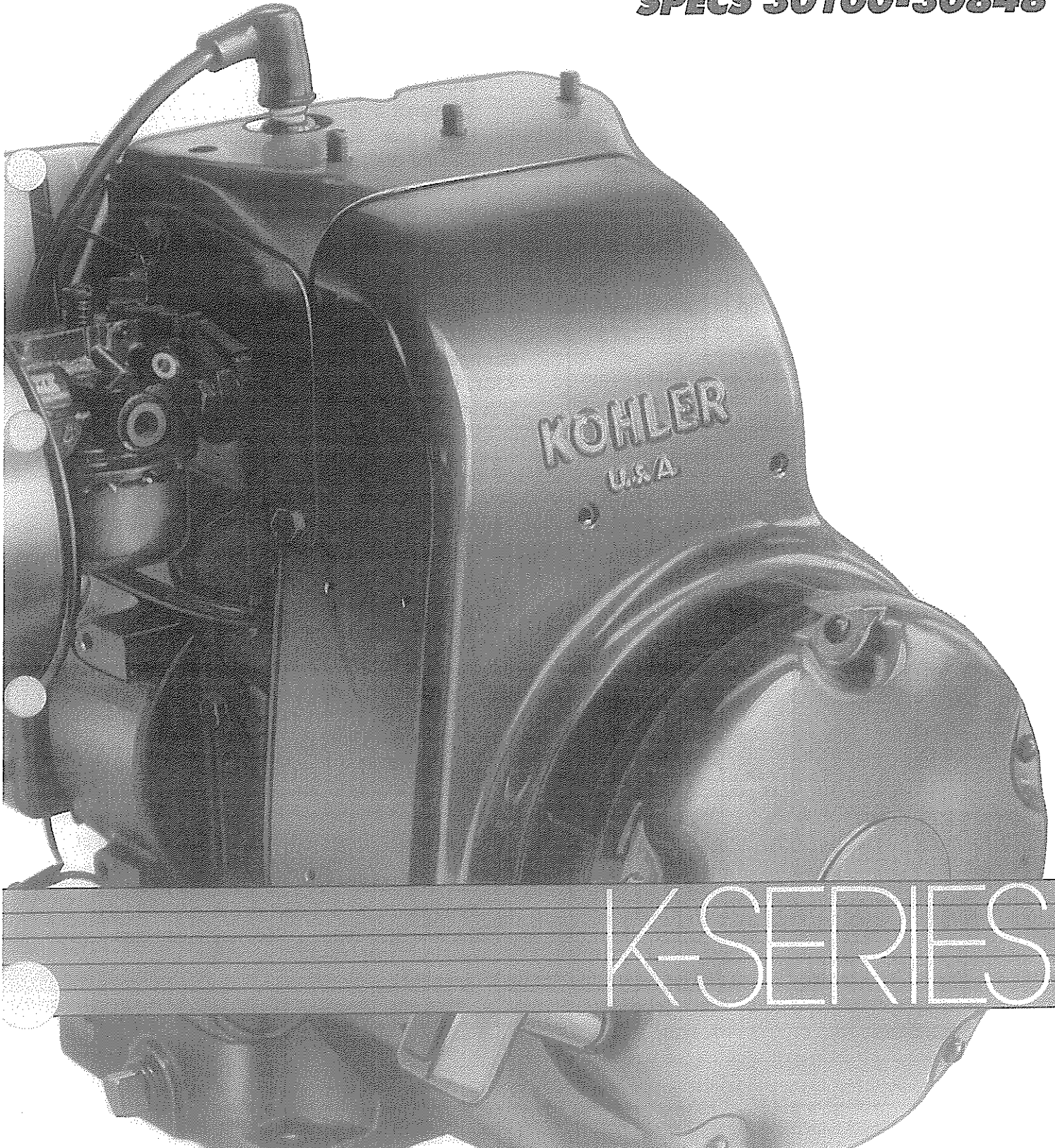


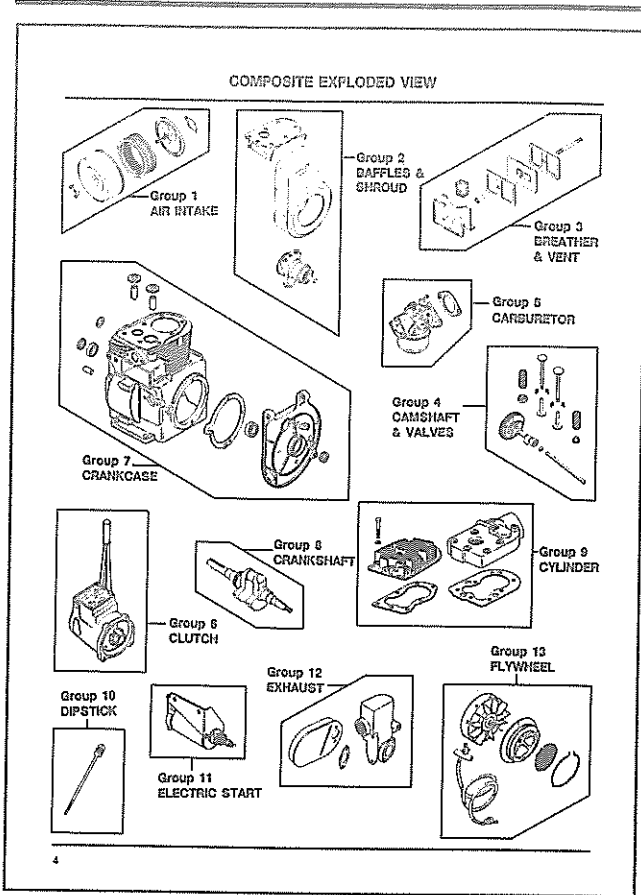
KOHLERengines

PARTS MANUAL
K181-8HP
SPECS 30100-30848



K-SERIES

HOW TO FIND PART NUMBERS



1. Turn the page of the parts manual to the "Composite Exploded View." Notice the boxed groupings identified by their function along with a corresponding number. The group function and number applies to all engine models.

For example:

Function (Group Description)	Group Number
Air Intake	1
Baffles & Shroud	2
Breather & Vent	3
Camshaft & Valves	4
Carburetor	5
Electric Starter	11
Ignition	18
etc.	

Remember the Group Number in which you located your part. (If the part you need is not illustrated, locate a major engine function related to your part and use that Group Number.)

Example: You need an air cleaner elbow for K181, specification 30558. The air cleaner elbow is found in Group 1.

SPECIFICATION NUMBER INDEX

Group Title & Number	Page No.	Grid No.	Spec. No.
AIR INTAKE	21	B8	30500
	22	B8	30501
	23	B8	30502
	24	B8	30503
	25	B8	30504
	26	B8	30505
	27	B8	30506
	28	B8	30507
	29	B8	30508
	30	B8	30509
31	B8	30510	
32	B8	30511	
33	B8	30512	
34	B8	30513	
35	B8	30514	
36	B8	30515	
37	B8	30516	
38	B8	30517	
39	B8	30518	
40	B8	30519	
41	B8	30520	
42	B8	30521	
43	B8	30522	
44	B8	30523	
45	B8	30524	
46	B8	30525	
47	B8	30526	
48	B8	30527	
49	B8	30528	
50	B8	30529	
51	B8	30530	
52	B8	30531	
53	B8	30532	
54	B8	30533	
55	B8	30534	
56	B8	30535	
57	B8	30536	
58	B8	30537	
59	B8	30538	
60	B8	30539	
61	B8	30540	
62	B8	30541	
63	B8	30542	
64	B8	30543	
65	B8	30544	
66	B8	30545	
67	B8	30546	
68	B8	30547	
69	B8	30548	
70	B8	30549	
71	B8	30550	
72	B8	30551	
73	B8	30552	
74	B8	30553	
75	B8	30554	
76	B8	30555	
77	B8	30556	
78	B8	30557	
79	B8	30558	
80	B8	30559	
81	B8	30560	
82	B8	30561	
83	B8	30562	
84	B8	30563	
85	B8	30564	
86	B8	30565	
87	B8	30566	
88	B8	30567	
89	B8	30568	
90	B8	30569	
91	B8	30570	

For Replacement, Shop Locates, and Service Engines Contact your Isuzu engine parts supplier for any specification not listed.

2. Now turn to the pages titled "Specification Number Index." When scanning these pages, you'll notice;

A. Page Numbers indexing where Group Parts are listed (for Group 1 the listing begins on page 22);

B. Specification Numbers listed vertically down the first column;

C. "Variation" Numbers in the Group Number columns. (These numbers specifically identify a particular group (combination) of parts used in a particular model – and are used to locate the specific part numbers.)

Locate your specification number in the first column. Go across the page to the Group Number column for your part. Jot down the Variation Number found in that column. For our example (spec. 30558), the variation number under Group 1 is "106".

HOW TO FIND PART NUMBERS

K181

52 Elbow, air cleaner
106 **232505**

Index Number	Description	Variation Item	Part Number
45	Valve, needle (Discontinued not available at Kohler Co.) 17, 702		232028
46	Body, valve (Discontinued not available at Kohler Co.) 17, 702	1106, 106	232028
47	Mixer, gas (Discontinued not available at Kohler Co.) 17, 63, 103	77	234719
48	"Venturi 8/16" (Discontinued not available at Kohler Co.) 17, 63	66	232019
49	"Venturi 8/8" (Discontinued not available at Kohler Co.) 17, 63	67	232055
50	Drain, air cleaner (Discontinued not available at Kohler Co.) 0, 67, 70, 101		232019
51	Drain, air cleaner (Discontinued not available at Kohler Co.) 0, 67, 70, 101		232019
52	Elbow, air cleaner (Discontinued not available at Kohler Co.) 106		232505
53	Drain, air cleaner (Discontinued not available at Kohler Co.) 104		233749
54	Drain, air cleaner (Discontinued not available at Kohler Co.) 104		233749
55	Drain, air cleaner (Discontinued not available at Kohler Co.) 120, 01		41 120 01
56	Drain, air cleaner (Discontinued not available at Kohler Co.) 62		232022
57	Drain, air cleaner (Discontinued not available at Kohler Co.) 104		233749
58	Drain, air cleaner (Discontinued not available at Kohler Co.) 701, 702		210330
59	Drain, air cleaner (Discontinued not available at Kohler Co.) 701, 702		210330
60	Drain, air cleaner (Discontinued not available at Kohler Co.) 701, 702		210330
61	Drain, air cleaner (Discontinued not available at Kohler Co.) 701, 702		210330
62	Drain, air cleaner (Discontinued not available at Kohler Co.) 701, 702		210330
63	Drain, air cleaner (Discontinued not available at Kohler Co.) 701, 702		210330
64	Drain, air cleaner (Discontinued not available at Kohler Co.) 701, 702		210330

3. Go to the page for your Group (page 22) and look at the illustrations to find the one most similar to the original part.

A. Each part in the illustration is identified with an index number or letter. Use that identifier to locate the part description in the listing.

B. Find your "Variation Number", from Step 2, immediately below the description.

C. The correct part number will be in the column to the right of your variation number.

For our example, the air cleaner elbow that looks like the original is index number 52. Looking in the listing next to index 52, we find our Variation Number (106), is shown, so the correct part number is 232505.

Special Features

Near the end of the Parts Manual Binder is a separate section devoted to repair options for major damage. "Selection Guides" for each model engine give several different methods of repairing Kohler Engines . . . with the choice dependent on shop facilities, costs, and allowable downtime of the engine and/or equipment.

Selection guides are easy references for determining part numbers of Replacement Engines, Short Blocks, or Miniblocks. They also list part numbers of crankshafts installed in original engines.

Here is what you'll find:

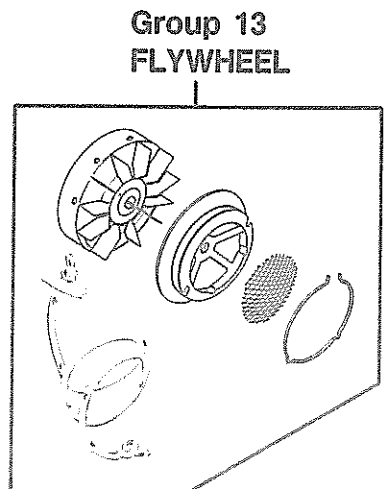
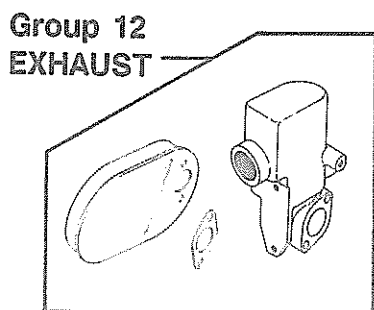
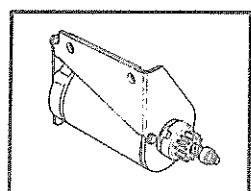
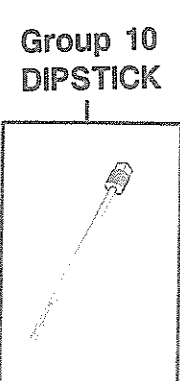
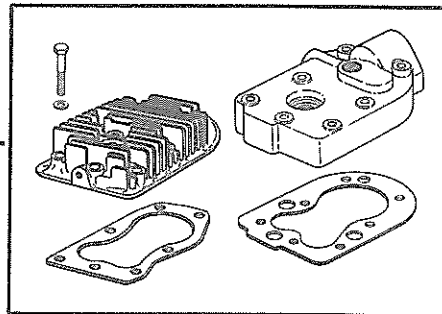
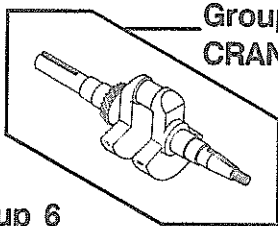
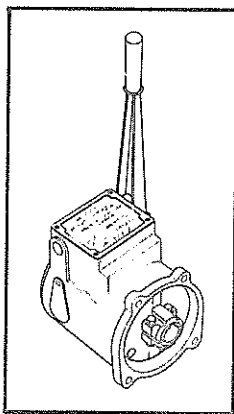
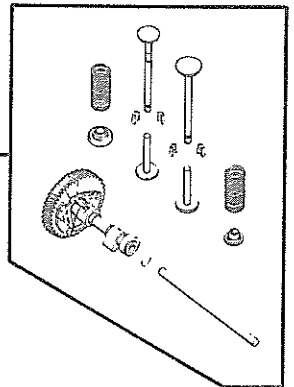
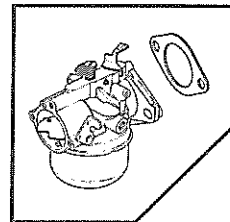
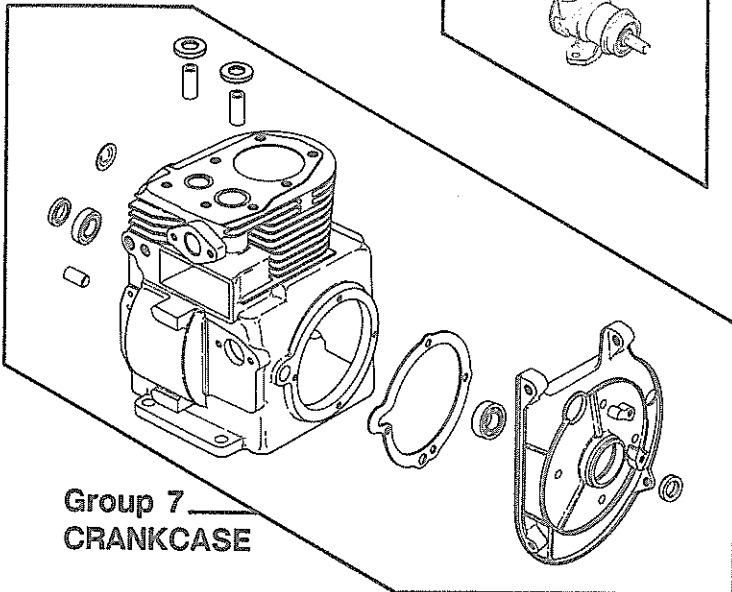
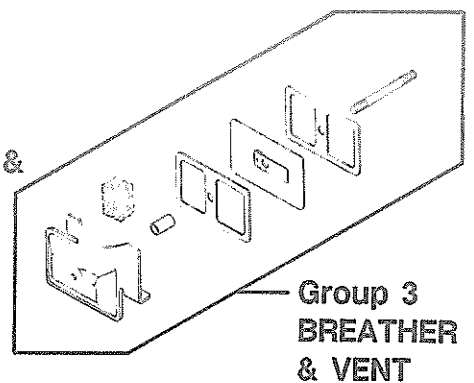
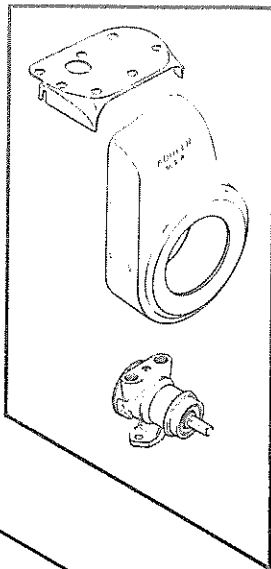
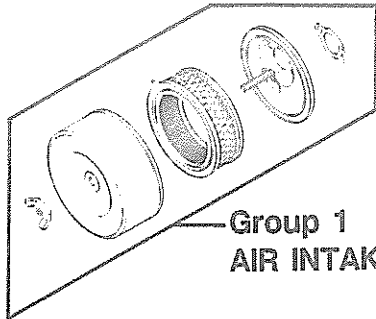
- A. Engine model is identified on each page for easy reference;
- B. Bold column heads identify the various repower options for every engine spec;
- C. All crankshaft changes required for Replacement Engines are flagged with "Yes;"
- D. Replacement Engines, Short Blocks, or Miniblocks.

K181

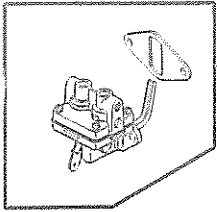
Locate the specification number of the failed engine in the index below. Select the part number of the repower method listed in the adjacent columns. Refer to pages 10-12 for Service Engine Data.

Engine Spec. No.	Repower Method	Original Crankshaft	Repower Method		Original Crankshaft	Repower Method	Original Crankshaft	Repower Method			
			Engine Spec. No.	Original Crankshaft					Engine Spec. No.	Original Crankshaft	
39100	30502	F	231707	41 522 23	41 702 13	232028	20502	H	231707	41 522 23	41 702 19
39101	30502	F	231603	41 522 23	41 702 13	232028	20502	H	231707	41 522 23	41 702 19
39102	30502	F	231607	41 522 23	41 702 13	232028	20502	H	231707	41 522 23	41 702 19
39103	30502	F	231605	41 522 23	41 702 13	232028	20502	H	231707	41 522 23	41 702 19
39104	30502	F	231602	41 522 23	41 702 13	232028	20502	H	231707	41 522 23	41 702 19
39105	30502	F	231609	41 522 23	41 702 13	232028	20502	H	231707	41 522 23	41 702 19
39106	30502	F	231608	41 522 23	41 702 13	232028	20502	H	231707	41 522 23	41 702 19
39107	30507	F	231707	41 522 23	41 702 19	232028	20507	F	231707	41 522 23	41 702 19
39108	30505	H	231707	41 522 23	41 702 13	232028	20505	F	231707	41 522 23	41 702 13
39109	30505	H	231707	41 522 23	41 702 13	232028	20505	F	231707	41 522 23	41 702 13
39110	30505	H	231707	41 522 23	41 702 13	232028	20505	F	231707	41 522 23	41 702 13
39111	30505	H	231707	41 522 23	41 702 13	232028	20505	F	231707	41 522 23	41 702 13
39112	30502	F	231707	41 522 23	41 702 13	232028	20502	H	231707	41 522 23	41 702 13
39113	30505	H	231707	41 522 23	41 702 13	232028	20505	F	231707	41 522 23	41 702 13
39114	30505	H	231707	41 522 23	41 702 13	232028	20505	F	231707	41 522 23	41 702 13
39115	30505	H	231707	41 522 23	41 702 13	232028	20505	F	231707	41 522 23	41 702 13
39116	30505	H	231707	41 522 23	41 702 13	232028	20505	F	231707	41 522 23	41 702 13
39117	30505	H	231707	41 522 23	41 702 13	232028	20505	F	231707	41 522 23	41 702 13
39118	30505	H	231707	41 522 23	41 702 13	232028	20505	F	231707	41 522 23	41 702 13
39119	30505	H	231707	41 522 23	41 702 13	232028	20505	F	231707	41 522 23	41 702 13
39120	30505	H	231707	41 522 23	41 702 13	232028	20505	F	231707	41 522 23	41 702 13
39121	30505	H	231707	41 522 23	41 702 13	232028	20505	F	231707	41 522 23	41 702 13
39122	30507	F	231707	41 522 23	41 702 19	232028	20507	F	231707	41 522 23	41 702 19
39123	30507	F	231707	41 522 23	41 702 19	232028	20507	F	231707	41 522 23	41 702 19
39124	30507	F	231707	41 522 23	41 702 19	232028	20507	F	231707	41 522 23	41 702 19
39125	30507	F	231707	41 522 23	41 702 19	232028	20507	F	231707	41 522 23	41 702 19
39126	30507	F	231707	41 522 23	41 702 19	232028	20507	F	231707	41 522 23	41 702 19
39127	30507	F	231707	41 522 23	41 702 19	232028	20507	F	231707	41 522 23	41 702 19
39128	30507	F	231707	41 522 23	41 702 19	232028	20507	F	231707	41 522 23	41 702 19
39129	30507	F	231707	41 522 23	41 702 19	232028	20507	F	231707	41 522 23	41 702 19
39130	30507	F	231707	41 522 23	41 702 19	232028	20507	F	231707	41 522 23	41 702 19
39131	30507	F	231707	41 522 23	41 702 19	232028	20507	F	231707	41 522 23	41 702 19
39132	30507	F	231707	41 522 23	41 702 19	232028	20507	F	231707	41 522 23	41 702 19
39133	30507	F	231707	41 522 23	41 702 19	232028	20507	F	231707	41 522 23	41 702 19
39134	30507	F	231707	41 522 23	41 702 19	232028	20507	F	231707	41 522 23	41 702 19
39135	30507	F	231707	41 522 23	41 702 19	232028	20507	F	231707	41 522 23	41 702 19
39136	30507	F	231707	41 522 23	41 702 19	232028	20507	F	231707	41 522 23	41 702 19
39137	30507	F	231707	41 522 23	41 702 19	232028	20507	F	231707	41 522 23	41 702 19
39138	30507	F	231707	41 522 23	41 702 19	232028	20507	F	231707	41 522 23	41 702 19
39139	30507	F	231707	41 522 23	41 702 19	232028	20507	F	231707	41 522 23	41 702 19
39140	30507	F	231707	41 522 23	41 702 19	232028	20507	F	231707	41 522 23	41 702 19
39141	30507	F	231707	41 522 23	41 702 19	232028	20507	F	231707	41 522 23	41 702 19
39142	30507	F	231707	41 522 23	41 702 19	232028	20507	F	231707	41 522 23	41 702 19
39143	30507	F	231707	41 522 23	41 702 19	232028	20507	F	231707	41 522 23	41 702 19
39144	30507	F	231707	41 522 23	41 702 19	232028	20507	F	231707	41 522 23	41 702 19
39145	30507	F	231707	41 522 23	41 702 19	232028	20507	F	231707	41 522 23	41 702 19
39146	30507	F	231707	41 522 23	41 702 19	232028	20507	F	231707	41 522 23	41 702 19
39147	30507	F	231707	41 522 23	41 702 19	232028	20507	F	231707	41 522 23	41 702 19
39148	30507	F	231707	41 522 23	41 702 19	232028	20507	F	231707	41 522 23	41 702 19
39149	30507	F	231707	41 522 23	41 702 19	232028	20507	F	231707	41 522 23	41 702 19
39150	30507	F	231707	41 522 23	41 702 19	232028	20507	F	231707	41 522 23	41 702 19
39151	30507	F	231707	41 522 23	41 702 19	232028	20507	F	231707	41 522 23	41 702 19
39152	30507	F	231707	41 522 23	41 702 19	232028	20507	F	231707	41 522 23	41 702 19
39153	30507	F	231707	41 522 23	41 702 19	232028	20507	F	231707	41 522 23	41 702 19
39154	30507	F	231707	41 522 23	41 702 19	232028	20507	F	231707	41 522 23	41 702 19
39155	30507	F	231707	41 522 23	41 702 19	232028	20507	F	231707	41 522 23	41 702 19
39156	30507	F	231707	41 522 23	41 702 19	232028	20507	F	231707	41 522 23	41 702 19
39157	30507	F	231707	41 522 23	41 702 19	232028	20507	F	231707	41 522 23	41 702 19
39158	30507	F	231707	41 522 23	41 702 19	232028	20507	F	231707	41 522 23	41 702 19
39159	30507	F	231707	41 522 23	41 702 19	232028	20507	F	231707	41 522 23	41 702 19
39160	30507	F	231707	41 522 23	41 702 19	232028	20507	F	231707	41 522 23	41 702 19
39161	30507	F	231707	41 522 23	41 702 19	232028	20507	F	231707	41 522 23	41 702 19
39162	30507	F	231707	41 522 23	41 702 19	232028	20507	F	231707	41 522 23	41 702 19
39163	30507	F	231707	41 522 23	41 702 19	232028	20507	F	231707	41 522 23	41 702 19
39164	30507	F	231707	41 522 23	41 702 19	232028	20507	F	231707	41 522 23	41 702 19
39165	30507	F	231707	41 522 23	41 702 19	232028	20507	F	231707	41 522 23	41 702 19
39166	30507	F	231707	41 522 23	41 702 19	232028	20507	F	231707	41 522 23	41 702 19
39167	30507	F	231707	41 522 23	41 702 19	232028	20507	F	231707	41 522 23	41 702 19
39168	30507	F	231707	41 522 23	41 702 19	232028	20507	F	231707	41 522 23	41 702 19
39169	30507	F	231707	41 522 23	41 702 19	232028	20507	F	231707	41 522 23	41 702 19
39170	30507	F	231707	41 522 23	41 702 19	232028	20507	F	231707	41 522 23	41 702 19
39171	30507	F	231707	41 522 23	41 702 19	232028	20507	F	231707	41 522 23	41 702 19
39172	30507	F	231707	41 522 23	41 702 19	232028	20507	F	231707	41 522 23	41 702 19
39173	30507	F	231707	41 522 23	41 702 19	232028					

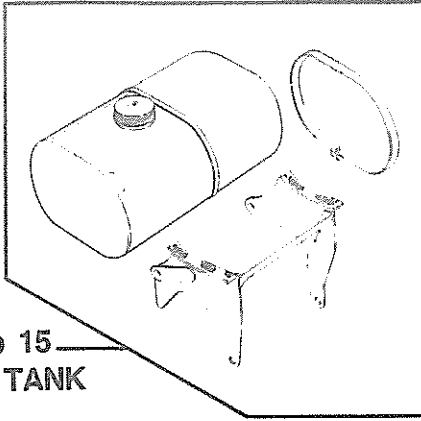
COMPOSITE EXPLODED VIEW



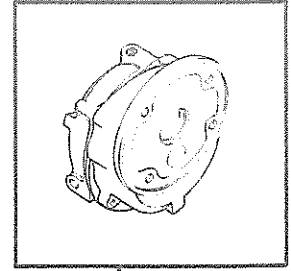
COMPOSITE EXPLODED VIEW



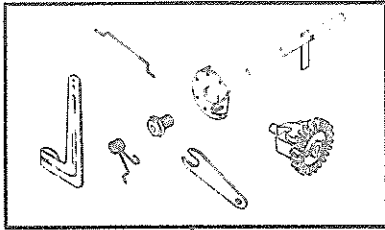
Group 14
FUEL PUMP



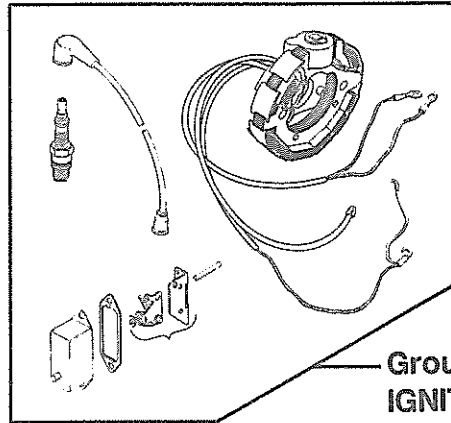
Group 15
FUEL TANK



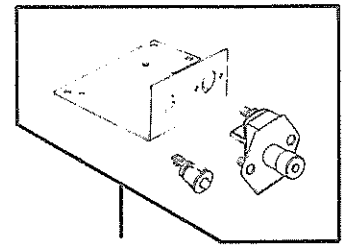
Group 16
GEAR REDUCTION



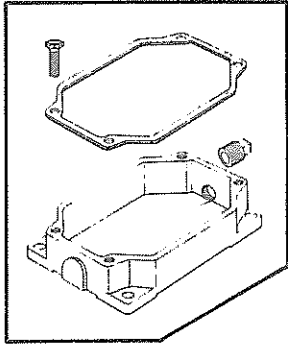
Group 17
GOVERNOR



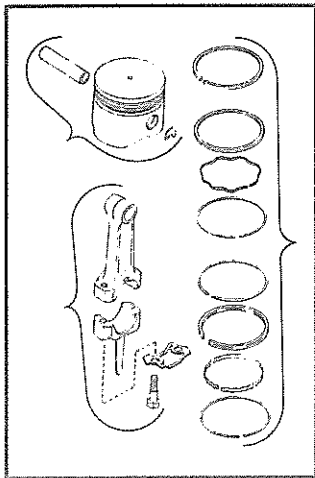
Group 18
IGNITION



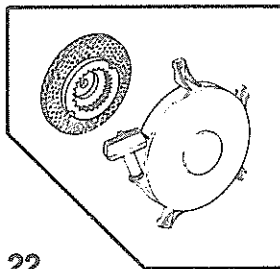
Group 19
INSTRUMENT PANEL



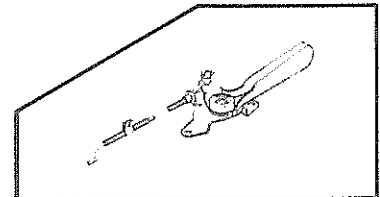
Group 21
OIL PAN



Group 22
PISTON & ROD

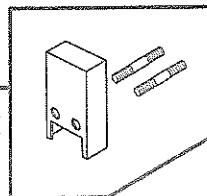


Group 23
RETRACTABLE
STARTER



Group 24
REMOTE THROTTLE

Group 27
ANTI FLICKER



SPECIFICATION NUMBER INDEX

Group Title & Number	AIR INTAKE	BAFFLES & SHROUD	BREATHER & VENT	CAMSHAFT & VALVES	CARBURETOR	CLUTCH	CRANKCASE	CRANKSHAFT	CYLINDER HEAD	DIPSTICK	ELECTRIC START	EXHAUST	FLYWHEEL	FUEL PUMP	FUEL TANK	GEAR REDUCTION	GOVERNOR	IGNITION	INSTRUMENT PANEL	OIL PAN	PISTON & ROD	RETRACTABLE STARTER	REMOTE THROTTLE	ANTI FLICKER
	1	2	3	4	5	6	7	8	9	10	11	12	13	14	15	16	17	18	19	21	22	23	24	27
Page No.	22	26	30	31	33	40	42	43	44	46	48	56	58	61	64	67	68	71	76	78	80	81	85	86
Grid No.	B8	B12	C2	C3	C5	C12	C14	D1	D2	D4	D6	D14	E2	E5	E8	E11	E12	F1	F6	F8	F10	F11	G1	G2

Spec. No. **Variation Number**

30100	68	104	2	47	98		87	60	15	1		1	92	23	42		82	71		1	9			
30101	78	124	2	59	126		99	72	5	2	201		60	42			82	71		5	9			
30102	3	40	2	48	98		101	73	15	1		2	91	2			82	125		5	9			
30103	68	104	2	47	93	2	104	78	15	1		1	92	44	42		82	71		1	9			
30104	68	104	2	48	98		108	80	15	1		1	92	44	42		82	71		1	9			
30105	68	104	2	47	98		87	79	15	1		1	92	23	42	1	82	71		51	9			
30106	68	183	2	51	98		168	60	15	1	95	1	60	23	44		82	22	27	21	9			
30107	68	142	2	47	98		87	60	15	1		1	62	23	42		82	71		1	9	9		
30108	68	130	2	51	146		105	60	5	1	96	511	60	24			105	50		58	9	9		
30109	69	131	2	51	97		104	60	22	1		7	79	1			103	123		27	9			
30112	70	133	2	51	96		105	60	15	1	89	511	60	34			113	112		40	9			
30113	70	183	2	51	99		105	60	15	1	86	29	63	1			93	22		44	9			
30115	75	168	2	51	100		105	60	5	1	94		60	1			98	89		59	9			
30116	78	124	2	59	103		99	72	5	1	202		60	55			109	70		5	9			
30117	68	137	2	55	102		105	73	5	2	201		60	306			82	155		1	9			
30118	78	124	2	59	96		99	72	5	2	201		60	30			117	22		5	9			
30119	82	138	2	59	96		167	72	22	4	105		60	18			99	126		1	9			
30120	78	137	2	55	103		105	73	5	4	201		60	30			108	700		5	9		17	
30121	79	172	2	55	104		105	73	5	4	104		84	32	509		140	700		1	9			
30123	68	40	2	47	98		135	73	15	1			88	2				79		36	9	9		
30124		142	2	48	98		108	75	15	1		18	62	30			93	93		5	9	9		
30128	1	179	2	47	108		87	60	15	1		7	62	1	24		93	71		5	9	9	12	
30129	68	40	2	47	98		111	73	15	1			90	2				110		36	9	9		
30130		40	2	48	98		114	75	15	1		18	90	2				105		5	9	9		
30138	3	1	2	47	93		101	73	15	1		2	91	1	31			105		1	9	9		
30139	68	124	2	59	96		104	72	5	4	201	18	60	32			82	22		23	9			
30142	3	104	2	47	98		87	73	15	2		1	92	39				79		5	9			
30148	78	124	2	59	96		99	72	5	2	109		60	30			112	22		1	9			
30150	68	142	2	47	98		87	60	15	1		1	62	23	42		93	71		1	9	9	5	
30151	3	40	2	47	98		129	73	15	1		2	89	2				79		1	9			
30155	68	139	2	59	96		99	72	15	2	92		60	30			82	22		34	9			
30159	68	130	2	47	98		87	60	5	2	101	1	47	28	514		82	71		5	9			
30160	70	171	2	51	122		105	60	5	1	85	511	60	1			141	98		69	9			
30163	68	104	2	47	98		87	60	15	1		1	92	23	42		93	71		1	9			
30164	70	183	2	51	99		105	60	15	1	86	29	60	1			93	22		44	9			
30165	3	1	2	47	93		129	73	15	4		2	89	2				138		1	9			
30166		40	2	48	98		101	73	15	1		18	90	2				125		5	9	9		
30167	3	40	2	48	98		129	73	15	1		2	89	2				92		1	9		9	
30169	3	40	2	47	98		101	73	15	1		2	91	2				110		1	9			
30172	69	131	2	51	97		104	60	22	1		7	60	1			103	59		27	9			
30173	68	124	2	55	96		105	73	5	1	202		60	30			82	22		1	9			
30174	67	172	2	55	96		105	73	5	4	101		47	27			53	113		1	9			
30176	75	193	2	51	96		118	73	15	13	110		60	52			113	144		5	9			
30177	68	142	2	47	98		87	60	15	1		1	62	23	42		93	71		1	9	9	305	
30178	1	174	2	47	108		87	60	15	1		7	92	1	24		89	71		5	9		12	

SPECIFICATION NUMBER INDEX

Group Title & Number	AIR INTAKE	BAFFLES & SHROUD	BREATHER & VENT	CAMSHAFT & VALVES	CARBURETOR	CLUTCH	CRANKCASE	CRANKSHAFT	CYLINDER HEAD	DIPSTICK	ELECTRIC START	EXHAUST	FLYWHEEL	FUEL PUMP	FUEL TANK	GEAR REDUCTION	GOVERNOR	IGNITION	INSTRUMENT PANEL	OIL PAN	PISTON & ROD	RETRACTABLE STARTER	REMOTE THROTTLE	ANTI FLICKER
	1	2	3	4	5	6	7	8	9	10	11	12	13	14	15	16	17	18	19	21	22	23	24	27
Page No.	22	26	30	31	33	40	42	43	44	46	48	56	58	61	64	67	68	71	76	78	80	81	85	86
Grid No.	B8	B12	C2	C3	C5	C12	C14	D1	D2	D4	D6	D14	E2	E5	E8	E11	E12	F1	F6	F8	F10	F11	G1	G2

Spec. No. Variation Number

30179	78	124	2	59	96		99	72	5	4	203		60	18			109	22		5	9			
30181		40	2	48	98		129	73	15	1		18	88	2			91	92		5	9	9		
30182	3	40	2	48	98		101	73	15	1		2	91	2			109	105		5	9	9		
30184	78	124	2	59	123		105	73	5	1	202		60	309				22		5	9	9		
30185	3	34	2	47	98		101	73	15	2		1	91	44				110		5	9	9		
30188		104	2	60	98		105	73	15	4			47	43			82	128		5	9			
30190	68	179	2	48	108		104	60	15	1		1	62	1	25		89	71		1	9	9	7	
30191	68	142	2	47	98		87	79	15	1		1	62	23	42	1	82	71		1	9	9		
30193	68	183	2	51	98		168	60	15	1	95	1	60	23	44		93	22	27	21	9		25	
30195	68	148	2	51	122		87	60	15	4		1	60	1	24		93	130		1	9			
30196	68	104	2	48	98		87	60	15	1		1	92	23	42		82	71		1	9			
30198	75	168	2	51	100		118	60	5	12	94		60	1			98	89		1	48	9		
30200	68	104	2	47	98		87	79	15	1		1	92	23	42	1	93	71		1	9		1	
30202	68	104	2	48	98		87	60	15	1		1	92	23	42		93	95		1	9		1	
30203	3	142	2	47	98		152	60	15	5		2	62	44	46		89	93		5	9	9	1	
30205	710	194	2	51	103		105	73	5	1			60	39			77	140		1	9			
30206	711	227	2	51	103		156	73	5	14			60	39			77	701		1	9			
30207	78	124	2	59	96		104	72	5	4	203	3	60	18			109	22		5	9			
30210	87	200	2	47	135		87	60	22	1		1	92	1			121	71		20	9			
30213	68	130	2	51	96		87	98	5	4	201	512	60	7			82	22		5	9			
30215	68	187	2	47	98		87	73	34	4		1	92	32			82	71		5	9			
30218	68	142	2	47	98		147	73	15	1			96	307				134		36	9	9		
30219	68	142	2	48	98		108	80	15	1		1	62	23	42		82	71		1	9	9		
30220	68	183	2	51	98		170	60	15	1	95		60	23	44		82	22	27	21	9			
30222	68	183	2	51	98		168	79	15	1	95	1	60	23	44	1	82	22	27	52	9			
30224	3	104	2	47	98		150	73	15	2		2	103	44				134		5	9			
30225	3	142	2	47	98		150	73	15	1		2	96	307				134		1	9	9		
30228		142	2	48	98		151	75	15	1		18	96	2				135		5	9	9		
30232	68	181	2	47	98		147	73	34	1			96	49				134		36	9	9		
30223	3	181	2	47	98		150	73	34	1		2	96	49				134		36	9	9		
30234	3	187	2	48	98		150	73	34	1		2	97	2			82	137		36	9			
30235		142	2	48	98		150	73	15	1		18	101	2				137		5	9	9		
30240		181	2	48	98		87	73	34	1		18	62	2				92		5	9	9		
30242	3	104	2	47	98		87	73	15	4		2	92	308	516			138		1	9	9		
30245	68	181	2	47	98		105	73	34	1			62	4			82	93		1	9	9		
30258	68	205	2	55	96		87	73	28	4	201	527	60	18			99	22		1	9			
30259	3	142	2	47	98		87	73	15	4		2	62	308	516			138		1	9	9		
30262	68	181	2	47	98		87	73	34	1		18	62	4				93		5	9	9		
30264	68	142	2	47	96		105	73	15	2		42	62	28	515		93	95		5	9	12		
30265	68	130	2	51	98		87	60	5	1	204		60	30			88	22		1	9			
30267	78	163	2	59	139		99	72	5	4	203		60	54			82	98	103	1	9			
30268	68	142	2	48	98		150	73	15	1		18	101	2				137		1	9	9		
30269	68	142	2	47	98		150	73	15	1			101	49				134		36	9	9		
30270	75	207	2	52	100		118	60	39	12	120		60	1			98	89		48	9			
30272	68	130	2	51	98		105	60	5	1	204		60	30			82	22		1	9			

SPECIFICATION NUMBER INDEX

Group Title & Number	AIR INTAKE	BAFFLES & SHROUD	BREATHER & VENT	CAMSHAFT & VALVES	CARBURETOR	CLUTCH	CRANKCASE	CRANKSHAFT	CYLINDER HEAD	DIPSTICK	ELECTRIC START	EXHAUST	FLYWHEEL	FUEL PUMP	FUEL TANK	GEAR REDUCTION	GOVERNOR	IGNITION	INSTRUMENT PANEL	OIL PAN	PISTON & ROD	RETRACTABLE STARTER	REMOTE THROTTLE	ANTI FLICKER
	1	2	3	4	5	6	7	8	9	10	11	12	13	14	15	16	17	18	19	21	22	23	24	27
Page No.	22	26	30	31	33	40	42	43	44	46	48	56	58	61	64	67	68	71	76	78	80	81	85	86
Grid No.	B8	B12	C2	C3	C5	C12	C14	D1	D2	D4	D6	D14	E2	E5	E8	E11	E12	F1	F6	F8	F10	F11	G1	G2

Spec. No.

Variation Number

30273	68	130	2	47	96		156	60	5	16	204	50	47	24	514		82	146		5	9			
30274	68	142	2	48	98		87	60	15	1		1	62	23	42		82	71		1	9	9		
30275	68	179	2	47	108		87	79	15	1		7	62	1	24	7	82	71		51	9	9		
30281	79	124	2	52	104		87	60	31	1	74	529	60	30			82	22		55	9	9		
30282	75	215	2	47	129		105	60	15	1		5	62	23	42		82	114		36	9	9		
30284	75	216	2	51	129		170	60	15	1	205	5	60	23	44		82	22		44	9			
30285	68	142	2	47	98		87	73	15	1		51	62	23	42		109	71		1	9	9	5	
30287	68	214	2	47	98		105	60	15	1		42	47	24	58		98	115	100	5	9			
30288	3	142	2	47	98		150	73	15	25		2	101	308	516					1	9	9		
30289	75	216	2	51	129		170	60	15	1	205	5	60	23	44		82	22		44	9			
30290	69	217	2	51	97		104	60	41	1		7	79	1			103	123		70	9			
30293	68	220	2	47	98		87	60	15	1		1	92	23	42		93	71		1	9		28	
30296	68	222	2	51	129		165	98	5	18			109	39			125	169		43	9		28	
30297	68	223	2	51	139		168	60	22	1	95	7	60	33	44		82	98	27	21	9		305	
30298	68	224	2	47	129		87	60	22	1		7	62	23	42		82	160		1	9	9	305	
30299	73	257	2	47	129		165	106	15	8			62	43			120	153		1	9	24	305	
30301	68	179	2	47	108		87	73	15	1		513	62	1	25		142	71		1	9	9		
30305	68	205	2	51	145		87	73	28	2	201		60	18			99	155		5	9	9		
30306	68	142	2	47	98		180	73	45	1		18	107	49				157		36	9	9		
30307	68	142	2	48	98		150	73	45	1		18	107	2				158		1	9	9		
30308	3	142	2	47	98		150	73	42	2		2	107	308	517			150		1	9	9		
30309	68	142	2	48	98		87	79	15	1		1	62	23	42		82	71		51	9	9		
30310	94	40	2	48	98		185	75	15	1		3	104	30				150		5	9	9		
30312	68	183	2	51	98		168	60	15	1	95	1	60	23			82	22	27	21	9			
30315	711	227	2	51	139		118	107	5	8			60	39			77	701		1	9	9		
30317	92	40	2	53	98		164	73	15	7		52	104	2				158		72	9	13		
30320	70	220	2	47	98		87	60	15	1		1	92	23	42		93	71		1	9		28	
30321	68	183	2	51	98		168	73	15	1	95	1	60	23	44		93	22	27	21	9	8		
30322	68	205	2	56	145		87	73	28	2	201		60	18			130	168		1	9			
30323	68	142	2	47	98		105	79	15	1			62	23	42	1	82	71		1	9	9		
30325	94	237	2	48	129		182	73	45	4		18	104	44				157		1	9	14	305	
30329	68	142	2	47	98		87	79	15	1		1	62	23	42	1	93	71		1	9	9	1	
30331	68	239	2	47	98		180	60	48	1	121	1	110	23	73		82	708	39	1	9			
30332	68	183	2	51	98		170	73	15	4	95		60	32			82	22	4	34	9			
30335	712	245	2	47	152		181	73	39	22	121	56	113	1			98	164		82	9			
30336	69	236	2	48	98		87	60	22	1		1	92	23	42		82	71		1	9			
30338	68	183	2	51	98		168	60	45	1	205	1	60	23	68		82	22	104	21	9			
30339	68	40	2	47	98		164	60	15	1		1	104	23	42		82	150		1	9	9		
30340	68	142	2	48	98		105	60	15	1			62	23	42		93	95		1	9	9	1	
30343	68	142	2	48	98		87	60	15	1		1	62	23	69		82	71		5	9	9		
30351	78	124	2	59	103		99	72	5	4	201		60	55			109	70		5	9			
30352	87	242	2	47	135		87	60	22	1		1	62	1			121	71		20	9	9		
30359		246	2	48	97		191	73	15			528	118	1			133	72		23	9			
30360		246	2	48	97		191	80	15			528	118	1			133	72		23	9			
30361		246	2	48	97		191	72	15			528	118	1			133	72		23	9			

SPECIFICATION NUMBER INDEX

Group Title & Number	AIR INTAKE	BAFFLES & SHROUD	BREATHIER & VENT	CAMSHAFT & VALVES	CARBURETOR	CLUTCH	CRANKCASE	CRANKSHAFT	CYLINDER HEAD	DIPSTICK	ELECTRIC START	EXHAUST	FLYWHEEL	FUEL PUMP	FUEL TANK	GEAR REDUCTION	GOVERNOR	IGNITION	INSTRUMENT PANEL	OIL PAN	PISTON & ROD	RETRACTABLE STARTER	REMOTE THROTTLE	ANTI FLICKER
	1	2	3	4	5	6	7	8	9	10	11	12	13	14	15	16	17	18	19	21	22	23	24	27
Page No.	22	26	30	31	33	40	42	43	44	46	48	56	58	61	64	67	68	71	76	78	80	81	85	86
Grid No.	B8	B12	C2	C3	C5	C12	C14	D1	D2	D4	D6	D14	E2	E5	E8	E11	E12	F1	F6	F8	F10	F11	G1	G2

Spec. No. **Variation Number**

30362		246	2	48	97		191	79	15			528	118	1			133	72		23	9			
30365	68	248	2	47	108		87	79	46	1		7	62	1	70	7	82	71		1	9	9		
30371	77	130	2	52	98		105	60	5	17	103		120	57			119	22		1	9	9		
30372	77	137	2	52	149		105	60	5	17	103		120	1			119	22		20	9	9		
30373	68	254	2	47	139		180	60	22	1	121	7	110	33	73		82	165		1	9	9		305
30378	68	234	2	47	98		197	60	45	1	121		110	23	73		82	165	105	1	9	9		
30379	68	142	2	47	98		105	60	15	1			62	23	42		82	71		5	9	9	9	
30382	68	137	2	51	129		105	73	5	4	103		60	32			93	22		36	9	9	9	
30383	1	143	2	51	122		170	60	1	4	95	511	60	1	25		93	22		21	9	9	14	6
30384	68	142	2	47	129		150	73	15	1		514	107	23	42		93	150		34	1	9	9	
30385	68	142	2	47	98		87	73	15	1		515	127	39			145	71		1	9	9	15	
30386	68	104	2	48	93		87	60	15	1		1	92	39	42		137	111		1	9	9		
30387	68	174	2	48	93		87	60	15	1		1	92	1	24		139	111		1	9	9		
30392	68	239	2	47	98		197	60	48	1	121	50	110	24	75		94	708		39	5	9		
30396	68	239	2	47	98		180	79	48	1	121	1	110	23	73	1	82	708		39	1	9		
30399	68	234	2	47	156		180	60	15	1	121	11	110	1			82	165		1	9	9		
30400	68	234	2	58	96		197	73	1	2	121	6	110	30			82	165		5	9	9		
30401	68	142	2	47	98		87	60	15	1		48	62	23	42		93	71		1	9	9	9	1
30403	68	142	2	48	98		108	60	15	1		2	62	39	42		82	71		1	9	9		
30404	68	104	2	48	98		105	43	15	1		5	92	23	42		93	71		1	9		1	
30408	68	256	2	48	158		204	73	45	4			107	44			304	157		1	9	9	14	33
30409	68	142	2	47	98		147	60	15	1			107	32			140	150		1	9	9	14	
30410	79	104	2	47	104		87	60	15	1		3	92	32			82	71		1	9	9		
30411	68	234	2	47	129		197	60	15	1	121		110	23	78		82	165		5	9	9		
30414	69	217	2	51	97		104	117	41	1		7	79	1			103	123		70	9	9		
30415	68	270	2	47	98		152	73	5	5		1	62	23	42		150	71		1	9	9	9	
30417	1	174	2	47	108		87	60	1	1		1	92	1	25		82	71		1	9	9		
30420	80	137	2	55	102		105	73	5	2	103		60	306			117	155		1	9	9		
30423	68	142	2	47	98		87	73	15	1		6	62	23	42		82	71		1	9	9	9	
30424	99	262	2	47	152		181	73	51	22	122	72	113	1			98	164		82	9			
30425	77	263	2	48	98		197	60	55	17	121		125	57			119	165		1	9	9		
30426	713	245	2	47	152		181	73	39	22	121	72	113	1			98	164		82	9	9		
30427	77	263	2	48	149		197	60	55	17	121		125	1			119	165		20	9	9		
30428	1	234	2	47	122		197	60	1	4	121	511	110	1	25		93	712		1	9	9	6	
30429	101	266	7	48	93		87	73	15	1		2	92	23	82		82	71	38	5	9			
30433	68	239	2	47	98		180	60	48	1	121	1	110	23	73		93	708	39	1	9	9	1	
30434	68	263	2	58	102		197	73	15	2	121		110	306			82	165		1	9	9		
30436	73	257	2	47	129		213	106	15	8		2	62	43			120	153		1	9	9	24	305
30437	79	271	2	52	104		87	73	5	800		530	60	18			82	702		22	9	9	9	1
30438	100	142	2	47	98		152	60	15	5		2	62	44	46		89	93		5	9			
30439	73	269	2	47	129		197	60	15	1	128		113	28	83		147	165		48	9	9		
30441	73	239	2	47	98		197	79	48	1	128	5	110	23	73	1	89	708	39	5	9	9	1	
30443	75	137	2	51	129		105	73	5	4	85		60	32			98	22		5	9	9		
30446	68	239	2	47	98		130	60	48	1	121	1	101	23	73		82	710	43	1	9	9		
30447	73	268	2	47	139		213	106	15	8		1	62	1	24		120	153		1	9		24	305

SPECIFICATION NUMBER INDEX

Group Title & Number	AIR INTAKE	BAFFLES & SHROUD	BREATHER & VENT	CAMSHAFT & VALVES	CARBURETOR	CLUTCH	CRANKCASE	CRANKSHAFT	CYLINDER HEAD	DIPSTICK	ELECTRIC START	EXHAUST	FLYWHEEL	FUEL PUMP	FUEL TANK	GEAR REDUCTION	GOVERNOR	IGNITION	INSTRUMENT PANEL	OIL PAN	PISTON & ROD	RETRACTABLE STARTER	REMOTE THROTTLE	ANTI FLICKER
	1	2	3	4	5	6	7	8	9	10	11	12	13	14	15	16	17	18	19	20	21	22	23	24
Page No.	22	26	30	31	33	40	42	43	44	46	48	56	58	61	64	67	68	71	76	78	80	81	85	86
Grid No.	B8	B12	C2	C3	C5	C12	C14	D1	D2	D4	D6	D14	E2	E5	E8	E11	E12	F1	F6	F8	F10	F11	G1	G2

Spec. No.

Variation Number

30448	68	276	2	47	108		211	73	52	1		59	128	1	70		147	184			1	9		
30449	68	274	2	47	108		211	73	52	1		59	128	1	70		147	184			1	9		
30450	68	276	2	48	108		216	80	52	1		59	128	1	70		147	184			1	9	9	
30451	68	276	2	47	108		211	79	52	1		59	128	1	70	1	147	184			1	9		6
30452	68	275	2	51	108		215	73	52	1	122	59	131	1	70		147	709		47	1	9		
30454	70	152	2	51	166		223	60	52	8	124	42	69	1	70	1	147	70			48	9		22
30456	68	274	2	47	108		211	79	52	1		59	129	1	70	1	82	178			1	9	9	
30460	73	269	2	51	139		221	60	15	2	129		131	39			147	706			48	9		
30461	68	269	2	51	146		215	60	15	1	132		131	39			105	194			58	9		
30462	68	239	2	67	145		180	73	15	2	122		110	18			130	165			1	9		
30463	100	268	2	47	93		211	60	70	5		81	129	65	80		93	184			5	9		
30465	68	276	2	48	108		211	60	52	1		59	128	1	70		137	178			5	9	9	1
30466	68	276	2	47	108	2	219	78	52	1		59	128	1	70		82	178			1	9		
30467	68	274	2	48	108		219	73	52	1		59	129	1	70		126	184	1		9	9	7	7
30469	68	274	2	48	108		216	80	52	1		59	129	1	70		82	184			23	9		
30470	68	275	2	47	93		211	60	52	1	121	59	131	1	70		82	708	45		1	9		
30471	68	276	2	48	108		211	60	52	1		59	128	1	70		93	178			5	9	9	1
30472	132	268	2	48	93		211	73	70	1		59	129	65	82		82	178			1	9		
30473	68	266	2	47	93		211	79	15	1		59	128	44	82	1	82	178			1	9	9	
30474	68	274	2	47	108		211	79	52	1		61	129	1	70	7	155	178			1	9	9	
30475	68	275	2	51	108		215	79	52	1	122	59	131	1	70	1	147	709	47		1	9		
30476	68	269	2	55	139		215	73	15	2	122		131	30			82	201			5	9		
30477	68	268	2	47	93		211	73	5	5		59	129	65	82		145	178			1	9	9	
30478	102	276	2	47	108		211	60	52	1		59	128	1	70		82	178			1	9		
30479	75	266	2	48	93		211	91	63	1		42	128	1	517		98	178			48	9		
30480	68	275	2	51	108		215	73	52	1	122	59	131	1	70		93	709	47		1	9		37
30481	68	270	2	55	102		215	73	15	2	122		131	65			147	181			1	9		
30482	73	275	2	51	166		218	106	52	8	129	59	131	1	70		120	183			1	9		
30483	79	277	2	52	104		211	73	54	800		530	60	18			82	703			22	9		
30484	68	268	2	47	93		211	73	15	1		516	133	39			145	178			1	9	15	
30485	77	269	2	52	98		215	60	55	17	122		132	57			119	181			1	9		
30486	77	269	2	52	149		215	60	55	17	122		132	1			156	181			1	9		
30487	68	268	2	47	93		211	79	70	1		59	129	65	82	1	82	184			1	9		
30488	75	266	2	51	139		211	73	59	4	85		60	32			98	22			5	9	9	
30489	68	268	2	47	93		211	73	70	1		59	129	65	82		93	178			1	9	9	1
30490	132	274	2	47	108		211	73	52	1		517	129	1	70		142	178			1	9		
30491	68	275	2	51	166		215	60	52	1	122		131	1	70		82	181			5	9	9	
30492	68	269	2	51	93		215	73	59	1	121	59	131	64	78		82	710	48		1	9		
30493	94	268	2	47	139		211	73	15	2			107	44			137	157			1	9	9	
30495	68	268	2	48	93		216	60	15	1		62	129	39	82		82	178			1	9	9	
30496	68	289	2	51	93		215	73	70	1	121		131	65	78		82	181			1	9		
30498	68	268	2	47	93		211	60	15	1		59	129	44	82		93	178			1	9	9	1
30499	73	275	2	51	108		215	79	52	1	121	5	126	1	70	1	89	710	47		5	9		
30500	99	262	2	51	166		223	73	61	22	122	72	141	1			98	182			82	9		
30501	711	277	2	51	139		224	107	54	8			60	64			77	701			1	9		

SPECIFICATION NUMBER INDEX

Group Title & Number	AIR INTAKE	BAFFLES & SHROUD	BREATHER & VENT	CAMSHAFT & VALVES	CARBURETOR	CLUTCH	CRANKCASE	CRANKSHAFT	CYLINDER HEAD	DIPSTICK	ELECTRIC START	EXHAUST	FLYWHEEL	FUEL PUMP	FUEL TANK	GEAR REDUCTION	GOVERNOR	IGNITION	INSTRUMENT PANEL	OIL PAN	PISTON & ROD	RETRACTABLE STARTER	REMOTE THROTTLE	ANTI FLICKER
	1	2	3	4	5	6	7	8	9	10	11	12	13	14	15	16	17	18	19	21	22	23	24	27
Page No.	22	26	30	31	33	40	42	43	44	46	48	56	58	61	64	67	68	71	76	78	80	81	85	86
Grid No.	B8	B12	C2	C3	C5	C12	C14	D1	D2	D4	D6	D14	E2	E5	E8	E11	E12	F1	F6	F8	F10	F11	G1	G2

Spec. No. **Variation Number**

30502	132	276	2	48	97		219	73	52	1		59	128	1			82	184		23	9						
30503	132	276	2	48	97		216	80	52	1		59	128	1			82	184		23	9						
30504		277	2	48	97		219	72	15			532	128	1			82	178		23	9						
30505	132	276	2	48	97		211	79	52	1		59	128	1			82	184		23	8						
30507	99	262	2	47	166		224	73	51	22	122	72	113	1			98	164		82	9						
30508	100	269	2	47	93		222	91	15	24	130	80	134	39	78		151	190		5	9						
30509	75	287	2	52	100		223	73	51	12	85	60	1	1	70		98	89		48	9						
30510	68	275	2	51	162		215	60	52	1	121	518	131	1	70		82	710	47	1	9						
30513		277	2	48	97		219	75	15			532	128	1			82	178		23	9						
30516	105	269	2	59	139		215	73	70	2	122		131	18			130	205		1	9						
30517	68	276	2	47	108		211	60	52	1		59	128	1	70		93	184		1	9			1			
30518	68	269	2	47	146		215	60	15	1	122		131	24			105	193		58	9						
30519	68	284	2	53	93		234	91	70	2		65	129	3			129	230	100	1	9		9				
30520		286	2	53	192		229	91	70	2			128				153	213		1	9						
30521	104	182	4	63	163		232	91	10	2		71	136	2			81	188		62	9						
30522	68	276	2	47	108		211	79	52	1		59	128	1	70	1	149	178		1	9						
30525		286	2	47			219	91	15	2			128				152	196		76	9						
30529	68	269	2	51	98		215	60	45	1	121		131	44	78		82	180	106	1	9						
30530	94	268	2	58	139		211	73	15	2		66	107	44			137	157		1	9		9				
30531	103	269	2	51	139		221	60	15	2	122		131	64			147	216		48	9						
30532	100	274	2	47	108		211	60	52	5		81	129	1	85		89	184		83	9		9	1			
30533	100	268	2	47	93		211	73	70	5		81	129	65	80		93	184		5	9		9	1			
30534	68	274	2	47	108		211	73	52	1		62	129	1	70		147	184		1	9		9				
30536	132	287	2	52	97		219	73	52	1		59	139	1			82	22		23	9						
30537	132	274	2	48	97		219	73	52	1		59	129	1			82	184		23	9						
30538	132	275	2	52	97		221	73	52	1		59	131	1			82	229		23	9						
30540	68	269	2	51	93		215	60	59	1	121	59	131	39			93	710	48	1	9						
30541		274	9	47	108		224	60	52	8		59	129	1	70		82	178		23	9		9				
30542	68	269	2	51	93		215	60	59	1	121	59	131	39	78		93	710	48	1	9			1			
30543	68	274	2	47	108		211	73	52	1		59	129	1	70		93	178		1	9			1			
30544	68	269	2	47	170		211	60	15	1	122	75	134	44			82	190		1	9						
30545	70	290	2	51	171		223	121	15	8	131	42	69	1			147	202		48	9					35	
30546	68	269	2	52	108		215	60	70	1	122	59	131	1			82	179	46	1	9						
30548	68	292	2	47	93		211	73	70	1			129	65	82		82	178		1	9		9				
30550	105	266	2	48	97		211	73	79	16		519	128	1			98	196		23	9						
30551	68	266	2	47	93		211	60	15	1		59	128	44	82		93	178		1	9					1	
30555		333	2	53	192		229	91	70	2		129					153	230		1	9		9				
30558	106	268	2	47	93		224	73	70	24		59	129	65	91		145	178		1	9		9				
30559	68	274	2	48	108		216	73	52	1		59	129	1	70		82	178		23	9		9				
30560		269	10	52	98		215	122	70	1	121		143	57	87		119	704		1	9						
30561	714	269	10	52	149		215	122	15	1	133		143	1		508	119	704		1	9						
30563	105	294	2	68	139		218	78	15	12	122	533	141	39			124	192		1	9						
30564	124	152	2	51	171		223	73	70	8		42	69	1			147	70		48	9				22		
30565	124	278	2	47	171		224	73	70	8		42	133	1			147	184		48	9				22		
30566	68	274	2	47	108		211	60	52	1		42	129	1	70		82	178		1	9						

SPECIFICATION NUMBER INDEX

Group Title & Number	AIR INTAKE	BAFFLES & SHROUD	BREATHER & VENT	CAMSHAFT & VALVES	CARBURETOR	CLUTCH	CRANKCASE	CRANKSHAFT	CYLINDER HEAD	DIPSTICK	ELECTRIC START	EXHAUST	FLYWHEEL	FUEL PUMP	FUEL TANK	GEAR REDUCTION	GOVERNOR	IGNITION	INSTRUMENT PANEL	OIL PAN	PISTON & ROD	RETRACTABLE STARTER	REMOTE THROTTLE	ANTI FLICKER
	1	2	3	4	5	6	7	8	9	10	11	12	13	14	15	16	17	18	19	21	22	23	24	27
Page No.	22	26	30	31	33	40	42	43	44	46	48	56	58	61	64	67	68	71	76	78	80	81	85	86
Grid No.	B8	B12	C2	C3	C5	C12	C14	D1	D2	D4	D6	D14	E2	E5	E8	E11	E12	F1	F6	F8	F10	F11	G1	G2

Spec.
No.

Variation Number

30568	68	276	2	47	108		211	73	62	1		511	128	1	70		98	178		1	9			
30569	68	266	2	47	93		211	60	15	1		59	128	44	82		82	178		5	9			
30570	68	269	2	51	93		215	73	59	1	121	59	131	64	78		82	710	48	5	9		6	
30571	105	268	2	47	139		211	60	15	1		520	129	44	510		147	178		5	9	9		
30576	68	269	2	52	172		215	60	15	2	122		141	1			82	207		86	9			
30577	68	274	2	48	108		211	60	52	2		521	129	1	70		82	178		5	9	9		
30578	108	275	2	51	166		223	73	57	22	139	59	131	1	70		93	211	50	5	9	9	37	
30579	68	268	2	47	108		211	60	70	1		59	129	1			82	178		1	9	9		
30580	124	290	2	51	171		223	121	70	8	131	79	156	1			147	202		48	9	9	35	
30582	105	294	11	68	173		218	78	15	12	122	533	141	39			124	192		1	9			
30584	68	268	2	47	146		211	60	15	1			129	44			105	178		58	9	9		
30585	68	274	2	48	108		216	80	52	1		59	129	1	70		93	178		1	9	9	1	
30587	68	276	2	47	108		211	80	52	1		59	128	1	70		82	178		1	9	9		
30589	68	274	2	47	108		211	73	52	1		59	129	1	70		82	178		5	9	9		
30591	73	269	2	51	93		215	60	15	1	128	59	131	39			82	710	47	1	9	9		
30592	68	268	2	47	93		211	79	70	1		59	129	65	82	1	82	178		1	9	9		
30593	714	269	10	69	174		215	122	70	1	133	59	143	1			119	705		1	9	9		
30596	105	268	2	47	93		211	73	54	5		59	129	65	82		164	178		1	9	9		
30597	68	269	2	52	93		215	60	15	1	122	511	131	64			82	211	50	1	9	9	6	
30598	70	268	2	47	139		211	78	45	5			129	44	511		138	214		1	9	9		
30600	105	268	2	47	93		211	60	70	1		522	129	65	82		82	178		1	9	9		
30601	68	275	2	48	108		211	60	52	1	122	523	134	1	70		147	196	52	1	9	9		
30606	68	268	2	47	93		211	73	15	1		59	129	44	82		98	178		1	9	9		
30608	105	268	11	47	178		224	73	70	24		524	129	65	91		82	184		1	9	9		
30611	68	275	2	51	108		215	79	52	1	122	59	131	1	70	1	93	710	47	5	9	9	37	
30612	116	269	2	51	139		215	73	15	1	122		131	64			138	179	46	1	9	9		
30613	68	268	2	47	139		211	78	45	5			129	44	512		138	214		1	9	9		
30618	68	275	2	51	108		215	60	52	1	122	523	131	1	70		147	709	47	1	9	9		
30620	68	274	2	47	108		211	60	52	1			107	1	70		82	218		1	9	9		
30622	114	307	12	51	181		223	73	69	29	122		141	59			160	220		82	9			
30623	113	303	13	51	177		223	124	68	8	135	52	146	1			147	215		87	9	9		
30625	68	299	2	47	108		211	79	52	2		511	129	1	70	1	82	209		5	9	9		
30627	132	274	2	47	108		211	73	52	2		59	129	1	70		82	184		5	9	9		
30628	68	328	2	47	108		211	73	52	1		61	129	1	70		82	178		1	9	9	305	
30629	68	269	2	51	146		215	73	70	1	122		131	64			105	246		58	9			
30633	68	269	2	52	93		215	73	15	1	122	59	131	64	510		82	710	47	1	9			
30635	105	269	2	55	139		215	73	54	2	122		131	64			98	219		23	9			
30638	35	325	2	53	149		229	91	70	2			129	1			81	190		1	9	9		
30640	68	274	2	47	108		211	125	52	1		52	129	1	70		82	178		1	9	9		
30644	68	269	2	51	139		218	106	15	80	122	59	131	61			162	223		1	9	9		
30645	68	268	2	47	93		222	106	15	24		59	129	39	91		162	221		1	9	24		
30646	132	276	2	48	108		216	73	52	1		59	128	1	70		82	178		1	9			
30648	68	269	2	51	108		215	60	70	2	122		131	1			162	231		1	9			
30649	105	269	2	55	190		215	73	54	1	122		141	1			166	222		1	9			
30650	68	308	2	47	186		211	73	73	1		59	128	1	90		93	224		1	9		1	

SPECIFICATION NUMBER INDEX

Group Title & Number	AIR INTAKE	BAFFLES & SHROUD	BREATHER & VENT	CAMSHAFT & VALVES	CARBURETOR	CLUTCH	CRANKCASE	CRANKSHAFT	CYLINDER HEAD	DIPSTICK	ELECTRIC START	EXHAUST	FLYWHEEL	FUEL PUMP	FUEL TANK	GEAR REDUCTION	GOVERNOR	IGNITION	INSTRUMENT PANEL	OIL PAN	PISTON & ROD	RETRACTABLE STARTER	REMOTE THROTTLE	ANTI FLICKER
	1	2	3	4	5	6	7	8	9	10	11	12	13	14	15	16	17	18	19	21	22	23	24	27
Page No.	22	26	30	31	33	40	42	43	44	46	48	56	58	61	64	67	68	71	76	78	80	81	85	86
Grid No.	B8	B12	C2	C3	C5	C12	C14	D1	D2	D4	D6	D14	E2	E5	E8	E11	E12	F1	F6	F8	F10	F11	G1	G2

Spec.
No.

Variation Number

30651	68	308	2	47	186		211	60	73	1		59	128	1	90		82	224		1	9			
30652	68	308	2	48	186		216	80	73	1		59	128	1	90		82	224		1	9			
30655	70	274	2	48	108		211	60	52	1		62	129	1	70		148	178		1	9	9		
30656	68	274	2	48	108		211	60	52	1		62	129	1	70		93	178		1	9	9	2	
30657	109	274	11	47	185		211	73	52	28			129	1	70		93	178		5	9	9	1	
30658	105	294	11	68	173		218	78	70	8	122	533	141	64			124	231		1	15			
30659	105	268	2	47	93		211	73	70	28		83	129	65			163	178		23	9	9		
30660	105	328	2	47	108		211	73	52	28		525	129	65	70		167	178		23	9	9		
30661	68	268	2	47	139		211	60	70	2		129	129	65			138	214		1	9	9		
30662	68	275	2	51	108		215	73	52	1	122	511	131	1	92		82	711	47	1	9			
30664	105	269	2	51	93		215	73	70	2	122		131	64			82	231		1	9			
30666	105	314	2	55	139		215	73	54	1		535	149	1			166	225		1	9	18		
30667	68	320	2	47	93		224	73	61	24		59	129	65	91		82	178		1	9	9		
30670	68	323	2	51	139		215	60	59	1	122	526	131	64			93	181	48	1	9		37	
30671	118	313	12	70	187		233	126	75	33	136	82	150	62			81	713		88	9			
30674	68	269	2	52	93		215	73	70	1	122	511	131	64			81	211	50	1	9			
30675	68	316	2	51	139		218	106	15	32	122	59	131	63			162	223		1	9			
30676	68	317	2	47	93		222	106	15	24		59	129	64	91		162	221		1	9	24		
30679	68	274	2	47	108		211	73	52	2		59	129	1	70		82	184		5	9	9		
30685		284	2	53	192		229	126	70	2			129				153	230	100	1	9	9		
30686	68	268	2	47	93		224	73	70	24		59	129	65	91		82	178		1	9	9		
30688	119	319	2	51	190		229	73	70	8	122		131	64			160	714		82	9			
30690	109	269	2	51	93		215	60	70	1	129	59	131	64			82	229	46	5	9	9		
30691	68	275	2	52	98		215	73	70	1	122	59	131	64			82	211	50	5	9	9		
30692	68	269	2	51	93		223	79	70	24	121	84	131	64	78	1	82	192		1	9			
30693	132	268	2	47	93		211	73	70	1		59	129	65	82		82	184		5	9	9		
30694	68	269	2	51	93		211	60	70	1	122		134	64			82	184		1	9			
30695	68	275	2	51	108		215	73	52	1	122	59	131	1	70		82	229	46	1	9	9		
30696	68	274	2	47	108		211	73	52	1			129	1	70		94	178		1	9	9		
30700	68	269	2	51	146		215	73	70	1	122		131	64			147	194		43	9			
30701	120	318	2	51	190		223	73	70	8	122		152	64			160	714		82	9			
30702	68	310	11	47	191		211	73	52	28			129	1	93		93	178		5	9	9	37	
30703	105	274	11	48	185		211	73	52	28		62	126	1	70		93	178		1	9	9	1	
30704	68	316	11	51	173		218	106	15	32	122	59	131	63			162	223		1	9			
30705	105	317	11	47	178		222	106	15	24		59	129	64			162	221		1	9	24		
30707	68	268	2	47	93		211	60	70	5		59	129	65	80		93	184		1	9	9	1	
30709	105	322	11	47	178		222	106	70	34		59	129	64	91		162	221	101	1	15	24		
30710	68	229	2	47	108		211	60	52	1			129	1	70		162	236		1	9	9		
30711	68	275	2	51	108		215	60	52	1	122		131	1	70		162	231		1	9			
30713	68	328	2	47	108		211	60	52	28			129	1	70		163	178		1	9	9		
30714		268	2	47	93		224	73	70	24			129	65	91		170	178		1	9	9		
30715	122	313	12	70	193		233	128	75	33	136	82	150	66			168	713		88	9			
30718	105	316	11	51	173		218	106	70	80	122	59	154	63			162	240		1	15			
30719		316	11	52	173		218	106	15	32	122	59	131	63			162	223		1	15			
30720		322	11	48	178		222	106	15	32		59	129	63			162	221		1	15	24		

SPECIFICATION NUMBER INDEX

Group Title & Number	AIR INTAKE	BAFFLES & SHROUD	BREATHER & VENT	CAMSHAFT & VALVES	CARBURETOR	CLUTCH	CRANKCASE	CRANKSHAFT	CYLINDER HEAD	DIPSTICK	ELECTRIC START	EXHAUST	FLYWHEEL	FUEL PUMP	FUEL TANK	GEAR REDUCTION	GOVERNOR	IGNITION	INSTRUMENT PANEL	OIL PAN	PISTON & ROD	RETRACTABLE STARTER	REMOTE THROTTLE	ANTI FLICKER
	1	2	3	4	5	6	7	8	9	10	11	12	13	14	15	16	17	18	19	21	22	23	24	27
Page No.	22	26	30	31	33	40	42	43	44	46	48	56	58	61	64	67	68	71	76	78	80	81	85	86
Grid No.	B8	B12	C2	C3	C5	C12	C14	D1	D2	D4	D6	D14	E2	E5	E8	E11	E12	F1	F6	F8	F10	F11	G1	G2

Spec. No.

Variation Number

30721	68	278	2	47	108		211	73	52	1		516	129	1	70		175	178		1	9	9		
30722	132	300	2	53	93		239	91	70	27		65	128	3			81	200		100	85	9	9	
30724	68	284	2	53	93		239	73	70	27		65	129	3			81	200	100	100	85	9	9	
30725	68	269	2	51	139		223	73	70	24	121	59	141	64	78		166	242		1	9	9	9	
30727	68	327	2	48	93		219	126	70	2	128		158	3			169	244	108	5	9	9	9	
30728	68	268	2	48	93		224	60	70	24			129	65	91		82	178		5	9	9	9	
30730	73	276	2	48	108		216	80	52	1		59	128	1	70		82	184		1	9	9	9	
30731	68	333	2	53	93		229	126	70	2			129	3			169	230		5	9	9	9	
30735	105	294	11	52	195		215	73	52	2	122		131	1	70		98	231		1	9	9	9	
30737	68	274	2	48	108		216	91	52	1		59	129	1	70		82	184		1	9	9	9	
30739	122	313	14	70	193		233	126	75	33	138	82	150	66			168	713		88	9	9	9	
30742	68	268	2	48	93		211	60	70	1		59	129	65	82		82	178		5	9	9	9	
30743	68	269	2	51	146		215	73	70	1	122		131	39			82	194		43	9	9	9	
30746	68	268	2	47	93		211	73	70	1		59	129	65	82		93	178		1	9	9	9	1
30747	132	274	2	48	108		216	80	52	1		59	129	1	70		82	184		1	9	9	9	
30751	68	327	2	48	93		219	126	70	2	128		158	3			169	244	100	5	9	9	9	
30752	68	226	2	48	108		216	73	52	1		59	128	1	70		82	184		1	9	9	9	
30754	105	330	2	51	108		215	60	52	28	122		131	1	70		162	231		1	9	9	9	
30758		286	2	53	192		229	91	78	2			128				153	213		1	9	9	9	
30762	68	275	2	51	108		215	60	52	1	122	59	131	1	70		82	232	47	1	9	9	9	
30763	68	269	2	51	93		215	60	59	1	121	59	131	64	78		82	232	48	1	9	9	9	
30764	105	328	2	47	108		211	73	52	28			129	1	70		167	178		23	9	9	9	
30766	105	274	2	48	108		219	73	52	28		59	129	1	70		93	184		23	9	9	9	1
30767	105	275	2	52	108		221	73	52	28	122	59	131	1	70		93	232	47	23	9	9	9	37
30768	105	274	2	47	166		211	73	52	1		59	129	1	70		126	184		1	9	9	9	
30772	68	327	2	53	93		229	126	70	2	128		158	3			169	244	108	5	9	9	9	
30773	105	268	2	47	93		211	73	70	28			129	65			163	178		23	9	9	9	
30774	105	269	2	52	93		215	73	70	1	122		160	64			82	227		1	9	9	9	
30778	68	269	2	71	108		215	79	15	1	122	536	161	1		1	82	181	47	1	9	9	9	
30780	132	300	2	53	620		239	91	70	27		538	128	3			81	200		85	9	9	9	
30783		335	2	53	192		229	91	70	1			129				153	213		1	9	9	9	
30784	68	336	2	53	93		229	126	70	1			129	3			169	184		5	9	9	9	
30787	105	274	2	48	108		216	80	52	1			129	1	70		82	184		1	9	9	9	
30788	68	269	2	52	93		223	73	70	12	140	511	131	1			98	232		1	9	9	9	
30789	105	266	2	48	93		216	133	80	1		59	128	65	82		93	184	47	1	9	9	9	
30791	133	276	2	47	108		211	73	52	1		59	128	1	70		171	196		5	9	9	9	
30792	132	274	2	47	108		211	73	52	1		59	129	1	70		93	178		1	9	9	9	1
30793	105	274	2	48	108		216	80	52	1			129	1	70		82	184		1	9	9	9	
30795	68	336	2	47	93		219	126	70	1			129	70			169	213		1	9	9	9	
30797	68	310	2	47	186		211	73	73	1		59	129	1	90		82	224		1	9	9	9	
30798	68	275	2	51	108		215	73	52	1	122	59	131	1	70		82	232	47	1	9	9	9	
30799	68	274	2	47	108		211	73	52	1		59	129	1	70		82	184		1	9	9	9	
30800	68	274	2	47	108		211	73	52	1		59	129	1	70		147	184		1	9	9	9	
30801	132	335	2	53	93		229	91	70	1			129	3			129	213		1	9	9	9	
30803	68	269	2	51	146		215	73	70	1	122		131	64			173	194		43	9	9	9	

SPECIFICATION NUMBER INDEX

Group Title & Number	AIR INTAKE	BAFFLES & SHROUD	BREATHER & VENT	CAMSHAFT & VALVES	CARBURETOR	CLUTCH	CRANKCASE	CRANKSHAFT	CYLINDER HEAD	DIPSTICK	ELECTRIC START	EXHAUST	FLYWHEEL	FUEL PUMP	FUEL TANK	GEAR REDUCTION	GOVERNOR	IGNITION	INSTRUMENT PANEL	OIL PAN	PISTON & ROD	RETRACTABLE STARTER	REMOTE THROTTLE	ANTI FLICKER
	1	2	3	4	5	6	7	8	9	10	11	12	13	14	15	16	17	18	19	20	21	22	23	24
Page No.	22	26	30	31	33	40	42	43	44	46	48	56	58	61	64	67	68	71	76	78	80	81	85	86
Grid No.	B8	B12	C2	C3	C5	C12	C14	D1	D2	D4	D6	D14	E2	E5	E8	E11	E12	F1	F6	F8	F10	F11	G1	G2

Spec. No. Variation Number

30806	714	269	10	52	98		215	122	70	1	121		143	58	97		119	705		1	9			
30807	105	328	2	47	108		211	73	52	28		537	129	1	70		179	178		23	9	9		
30808	68	269	2	51	203		215	73	70	1	122	700	131	1			98	231		5	9			
30809	68	268	2	47	108		211	73	70	1	122	525	129	1			124	184		5	9	9		
30811	68	339	2	51	139		223	73	70	24	121	59	164	64	78		166	716		1	9	9		
30812	123	299	2	47	93		211	73	70	2		62	129	58			158	209		5	9	9		
30814	135	278	2	47	108		211	73	52	1		516	129	1	98		175	178		1	9	9		
30813	68	340	2	51	108		215	73	52	1	122	59	164	1	70		147	232	47	23	16	9		
30815	68	274	2	47	700		211	79	52	1		59	129	1	70	1	275	184		23	16	33		
30816	132	275	2	52	108		221	80	52	1	122	59	131	1	70		82	232	47	1	9			
30817	68	269	2	52	93		215	73	70	1	122	511	131	64			81	211		1	9			
30821	68	268	2	47	93		211	79	70	1		88	129	65	82	1	155	184		1	9	9		
30823	105	275	11	71	178		215	73	52	28	500	701	172	64	104		147	231		5	16			
30824	68	274	2	47	701		211	79	52	1		59	129	1	70	1	275	184		23	16	33		
30825	68	269	2	52	702		215	73	70	1	122	702	131	64			276	255		1	16	9		
30826	68	339	2	51	139		223	73	70	24	122	703	164	73	105		166	500		1	16	9		
30828	105	328	2	48	108		211	73	52	28		704	129	1	134		167	178		23	16	9		
30829	68	339	2	51	139		223	73	70	24	122	703	164	64			166	500		1	9	9		
30830	105	274	2	47	108		211	73	52	28		129	1	70			162	184		1	9	9		
30831	68	269	2	52	702		215	73	59	1	121	59	131	73	78		275	211	55	1	16			
30835	105	316	11	75	228		261	106	70	803	122	59	154	93			243	240		1	16			
30836	105	322	11	53	214		262	106	70	34		59	191	73	126		243	221		1	16	31		
30839	113	318	2	51	189		223	73	70	8	122		141	59			172	237		5	16			
30840	68	274	2	47	701		211	73	52	1		61	129	1	70		242	184		1	16	9	7	
30841	75	299	2	47	33		211	73	63	1		705	129	1	701		274	236		5	16	9		
30842	68	269	2	52	702		215	73	70	1	122		131	64			276	211	50	1	16			
30843	68	268	2	47	703		211	73	52	1		59	129	70			275	184		1	16	33		
30845	68	266	2	48	230		216	80	70	1		59	128	83	135		275	184		1	16			
30846	68	276	2	47	231		211	73	52	1		59	128	1	70		274	184		1	16			
30847	68	276	2	48	231		216	80	52	1		59	128	1	70		274	184		1	16			
30848	105	274	2	48	97		211	73	79	16		706	129	1			98	196		23	16	9		

GENERATOR SET SPEC. NO. INDEX

Group Title & Number	AIR INTAKE	BAFFLES & SHROUD	BREATHER & VENT	CAMSHAFT & VALVES	CARBURETOR	CLUTCH	CRANKCASE	CRANKSHAFT	CYLINDER HEAD	DIPSTICK	ELECTRIC START	EXHAUST	FLYWHEEL	FUEL PUMP	FUEL TANK	GEAR REDUCTION	GOVERNOR	IGNITION	INSTRUMENT PANEL	OIL PAN	PISTON & ROD	RETRACTABLE STARTER	REMOTE THROTTLE	ANTI FLICKER
	1	2	3	4	5	6	7	8	9	10	11	12	13	14	15	16	17	18	19	21	22	23	24	27
	Page No.	22	26	30	31	33	40	42	43	44	46	48	56	58	61	64	67	68	71	76	78	80	81	85
Grid No.	B8	B12	C2	C3	C5	C12	C14	D1	D2	D4	D6	D14	E2	E5	E8	E11	E12	F1	F6	F8	F10	F11	G1	G2

Spec. No.

Variation Number

13800	118	313	12	70	300		233	126	75	33	136	200	150	62			81	226		88	9				
13801	118	313	12	70	300		233	126	75	33	136	201	150	62			81	226		88	9				
13802	118	313	12	70	187		233	126	75	33	136	201	150	66			81	226		88	9				
13803	118	313	12	70	187		233	126	75	33	136	201	150	66			81	226		88	9				
13804	118	313	12	70	187		233	126	75	33	136	201	150	66			81	226		88	9				
13805	118	313	12	70	301		233	126	75	33	136	200	150	66			81	226		88	9				
13806	118	313	12	70	301		233	126	75	33	136	201	150	66			81	226		88	9				
13807	118	313	12	70	193		233	126	75	33	136	201	150	66			81	226		88	9				
13808	118	313	12	70	193		233	126	75	33	136	201	150	66			81	226		88	9				
13809	122	313	12	70	193		233	126	75	33	136	202	150	66			81	226		88	9				
13810	122	313	12	70	193		233	126	75	33	136	202	150	66			81	226		88	9				
13811	122	313	12	70	193		233	126	75	33	136	202	150	66			81	226		88	9				
13812	122	313	12	70	193		233	126	75	33	136	202	150	66			81	226		88	9				
13813	122	313	12	70	193		233	126	75	33	136	202	150	66			81	226		88	9				
13814	122	313	12	70	194		233	126	75	33	138	202	150	66			168	226		88	9				
13815	122	313	12	70	194		233	126	75	33	136	202	150	66			168	226		88	9				
13816	122	313	14	70	193		233	126	75	33	136	202	150	66			168	226		88	9				
13817	122	313	14	70	193		233	126	75	33	136	202	150	66			168	226		88	9				
13818	122	313	14	70	193		233	126	75	33	136	202	150	66			168	226		88	9				
13819		313	14	70			233	126	75	33	138	202	150	66			168	226		88	9				
13820	122	313	14	70	193		233	126	75	33	138	202	150	66			168	226		88	9				
14300	100	284	2	53	192		229	126	70	2		500	129	10	700		210	230		1	9	110			
14301	100	284	2	53	192		229	126	70	2		500	129	10	700		220	230		1	9	110			
14302	100	284	2	53	192		229	126	70	2		500	129	10	700		210	230		1	9	110			
14303	100	284	2	53	192		229	126	70	2		500	129	10	700		220	230		1	9	110			
14304	100	284	2	53	192		229	126	70	2		500	129	10	700		210	230		1	9	110			
14305	100	284	2	53	192		229	126	70	2		500	129	10	700		210	230		1	9	110			
14306	100	284	2	53	192		229	126	70	2		500	129	10	700		210	230		1	9	110			
14307	100	284	2	53	192		229	126	70	2		500	129	10	700		220	230		1	9	110			
14308	100	284	2	53	192		229	126	70	2		500	129	10	700		220	230		1	9	110			
14310	100	284	2	53	192		229	126	70	2		500	129	10	700		210	230		1	9	110			
14311	100	284	2	53	192		229	126	70	2		500	129	10	700		220	230		1	9	110			
14312	100	284	2	53	192		229	126	70	2		500	129	10	700		210	230		1	9	110			
14313	100	284	2	53	192		229	126	70	2		500	129	10	700		220	230		1	9	110			
14314	100	284	2	53	192		229	126	70	2		500	129	10	700		210	230		1	9	110			
14315	100	284	2	53	192		229	126	70	2		500	129	10	700		210	230		1	9	110			
14316	100	284	2	53	192		229	126	70	2		500	129	10	700		210	230		1	9	110			
14317	100	284	2	53	192		229	126	70	2		500	129	10	700		220	230		1	9	110			
14318	100	284	2	53	192		229	126	70	2		500	129	10	700		220	230		1	9	110			
14319	100	284	2	53	192		229	126	70	2		500	129	10	700		210	230		1	9	110			
14320	100	284	2	53	192		229	126	70	2		501	129	10	700		220	230		1	9	110			
14321	100	284	2	53	192		229	126	70	2		500	129	10	700		210	230		1	9	110			
14322	100	284	2	53	192		229	126	70	2		500	129	10	700		220	230		1	9	110			
14323	100	284	2	53	192		229	126	70	2		500	129	10	700		210	230		1	9	110			
14324	100	284	2	53	192		229	126	70	2		500	129	10	700		220	230		1	9	110			

Group Title & Number	AIR INTAKE	BAFFLES & SHROUD	BREATHER & VENT	CAMSHAFT & VALVES	CARBURETOR	CLUTCH	CRANKCASE	CRANKSHAFT	CYLINDER HEAD	DIPSTICK	ELECTRIC START	EXHAUST	FLYWHEEL	FUEL PUMP	FUEL TANK	GEAR REDUCTION	GOVERNOR	IGNITION	INSTRUMENT PANEL	OIL PAN	PISTON & ROD	RETRACTABLE START	REMOTE THROTTLE	ANTI FLICKER
	1	2	3	4	5	6	7	8	9	10	11	12	13	14	15	16	17	18	19	21	22	23	24	27
Page No.	22	26	30	31	33	40	42	43	44	46	48	56	58	61	64	67	68	71	76	78	80	81	85	86
Grid No.	B8	B12	C2	C3	C5	C12	C14	D1	D2	D4	D6	D14	E2	E5	E8	E11	E12	F1	F6	F8	F10	F11	G1	G2

Spec.
No.

Variation Number

14325	100	284	2	53	192		229	126	70	2		500	129	10	700		210	230		1	9	110	
14326	100	284	2	53	192		229	126	70	2		500	129	10	700		210	230		1	9	110	
14327	100	284	2	53	192		229	126	70	2		500	129	10	700		220	230		1	9	110	
14328	100	284	2	53	192		229	126	70	2		500	129	10	700		220	230		1	9	110	
14329	100	284	2	53	192		229	126	70	2		500	129	10	700		210	230		1	9	110	
14330	100	284	2	53	192		229	126	70	2		501	129	10	700		220	230		1	9	110	
14331	100	284	2	53	93		229	126	70	2		500	129	10	700		220	230		1	9	110	
14332	100	284	2	53	93		229	126	70	2		501	129	10	700		210	230		1	9	110	
14333	100	327	2	48	93		219	126	70	2		501	158	10	701		240	244		5	9	120	
14334	100	284	2	53	93		229	126	70	2		500	129	10	700		240	230		5	9	110	
14335	100	284	2	53	93		229	126	70	2		500	129	10	700		230	230		5	9	110	
14336	100	284	2	53	93		229	126	70	2		500	129	10	700		240	230		5	9	110	
14337	100	284	2	53	93		229	126	70	2		500	129	10	700		240	230		5	9	100	
14338	100	284	2	53	93		229	126	70	2		500	129	10	700		230	230		5	9	110	
14339	100	284	2	53	93		229	126	70	2		500	129	10	700		240	230		5	9	110	
14340	100	284	2	53	93		229	126	70	2		500	129	10	700		230	230		5	9	110	
14341	100	284	2	53	93		229	126	70	2		501	129	10	700		230	230		5	9	110	
14342	100	284	2	53	93		229	126	70	2		500	129	10	700		230	230		5	9	110	
14343	100	284	2	53	93		229	126	70	2		501	129	10	700		240	230		5	9	110	
14344	100	284	2	53	93		229	126	70	2		500	129	10	700		240	230		5	9	110	
14345	100	284	2	53	93		229	126	70	2		500	129	10	700		240	230		5	9	110	
14346	100	284	2	53	93		229	126	70	2		500	129	10	700		230	230		5	9	110	
14347	100	327	2	48	93		219	126	70	2		501	158	10	701		240	244		5	9	120	
14348	100	284	2	53	93		229	126	70	2		500	129	10	700		240	230		5	9	110	
14349	100	284	2	53	93		229	126	70	2		500	129	10	700		230	230		5	9	110	
14350	100	284	2	53	93		229	126	70	2		500	129	10	700		240	230		5	9	110	
14351	100	284	2	53	93		229	126	70	2		500	129	10	700		230	230		5	9	110	
14352	100	284	2	53	93		229	126	70	2		500	129	10	700		240	230		5	9	110	
14353	100	284	2	53	93		229	126	70	2		500	129	10	700		240	230		5	9	110	
14354	100	284	2	53	93		229	126	70	2		500	129	10	700		230	230		5	9	110	
14355	100	284	2	53	93		229	126	70	2		501	129	10	700		230	230		5	9	110	
14356	100	284	2	53	93		229	126	70	2		501	129	10	700		240	230		5	9	110	
14357	100	284	2	53	93		229	126	70	2		500	129	10	700		240	230		5	9	110	
14358	100	284	2	53	93		229	126	70	2		500	129	10	700		230	230		5	9	110	
14361	100	284	2	53	93		229	126	70	2		501	129	10	700		230	240		5	9	110	
14362	100	284	2	53	93		229	126	70	2		501	129	10	700		230	230		5	9	110	
14363	100	284	2	53	93		229	126	70	2		501	129	10	700		240	230		5	9	110	
14364	100	284	2	53	93		229	126	70	2		501	129	10	700		230	230		5	9	110	
14365	100	284	2	53	93		229	126	70	2		501	129	10	700		240	230		5	9	110	
14366	100	284	2	53	93		229	126	70	2		501	129	10	700		240	230		5	9	110	
14367	100	284	2	53	93		229	126	70	2		501	129	10	700		230	230		5	9	110	
14368	100	284	2	53	93		229	126	70	2		501	129	10	700		240	230		5	9	110	
14369	100	284	2	53	93		229	126	70	2		501	129	10	700		230	230		5	9	110	
14370	100	327	2	48	93		219	126	70	2		501	158	3	701		169	244		5	9	130	
14371	100	333	2	53	93		229	126	70	2		501	129	3	701		169	230		5	9	110	

Group Title & Number	AIR INTAKE	BAFFLES & SHROUD	BREATHER & VENT	CAMSHAFT & VALVES	CARBURETOR	CLUTCH	CRANKCASE	CRANKSHAFT	CYLINDER HEAD	DIPSTICK	ELECTRIC START	EXHAUST	FLYWHEEL	FUEL PUMP	FUEL TANK	GEAR REDUCTION	GOVERNOR	IGNITION	INSTRUMENT PANEL	OIL PAN	PISTON & ROD	RETRACTABLE STARTER	REMOTE THROTTLE	ANTI FLICKER
	1	2	3	4	5	6	7	8	9	10	11	12	13	14	15	16	17	18	19	21	22	23	24	27
Page No.	22	26	30	31	33	40	42	43	44	46	48	56	58	61	64	67	68	71	76	78	80	81	85	86
Grid No.	B8	B12	C2	C3	C5	C12	C14	D1	D2	D4	D6	D14	E2	E5	E8	E11	E12	F1	F6	F8	F10	F11	G1	G2

Spec. No. Variation Number

14373	100	333	2	53	93		229	126	70	2		501	129	3	700		169	230		5	9	110		
14374	100	333	2	53	93		229	126	70	2		501	129	3	700		169	230		5	9	110		
14376	100	333	2	53	93		229	126	70	2		501	129	3	700		169	230		5	9	110		
14377	100	327	2	48	93		219	126	70	2		501	158	3	701		169	244		5	9	130		
14378	100	333	2	53	93		229	126	70	2		501	129	3	700		169	230		5	9	110		
14379	100	333	2	53	93		229	126	70	2		501	129	3	700		169	230		5	9	110		
14380	100	333	2	53	93		229	126	70	2		501	129	3	700		169	230		5	9	110		
41300H	701	286	2	61	601		998	91	15	2		501	128	301			300	190		16	9			1
41301H	702	286	2	53	602		229	91	15	2		501	128	301			300	213		1	9			
41302H	702	286	2	53	602		229	91	15	2		501	128	301			300	213		1	9			
41303H	702	286	2	53	603		229	91	15	2		501	128	302			300	213		1	9			1
41307H	702	305	2	53	602		229	91	15	2		501	147	301			300	213		1	9			1
41400H	701	286	2	61	605		998	91	15	2		502	128	301			300	190		16	9			
41401H	701	285	2	61	601		228	91	52	2		501	129	301			300	195		16	9	9		
41402H	701	285	2	61	606		228	91	52	2		501	129	300	500		300	195		16	9	9		1
41403H	701	286	2	61	605		228	91	15	2		502	128	301			300	190		16	9			1
41404H	701	286	2	61	605		228	91	15	2		502	128	301			300	190		16	9			1
41405H	701	285	2	61	601		228	91	52	2		501	129	301			300	195		16	9	9		1
41406H	703	286	2	61	604		228	91	15	2	2	501	128	300			300	190		16	9			1
41407H	701	286	2	61	605		228	91	15	2		502	128	301			300	190		16	9			1
42344E	68	176	2	33	98		123	91	15	2		503	62	3	501		6	118		1	9	9	304	
42344G	68	176	2	33	98		123	91	15	2		503	62	3	501		81	118		1	9	9	304	
42344H	68	176	2	53	98		123	91	15	2		504	62	3	501		81	118		1	9	9	304	
42345E	68	158	2	33	98		123	91	15	2		503	62	3	501		6	103		1	9	9		
42345G	68	158	3	33	98		123	91	15	2		503	62	3	501		81	103		1	9	9		
42345H	68	158	2	53	98		123	91	15	2		504	62	3	501		129	103		1	9	9		
42346E	68	158	2	33	98		123	91	15	2		503	62	3	501		6	103		1	9	9		
42346G	68	158	2	33	98		123	91	15	2		503	62	3	501		81	103		1	9	9		
42346H	68	158	2	53	98		123	91	15	2		504	62	3	501		129	103		1	9	9		
42371E	3	104	2	17	98		104	91	15	1		1	92	50			75	136		64	9		301	
42371G	3	104	2	17	98		104	91	15	1		1	92	50			83	136		64	9		301	
42371H	3	104	2	47	98		104	91	15	1		1	92	50			83	136		64	9		301	
42374E	17	158	2	33	133		123	91	15	2		503	62	3	501		6	103		20	9	9		
42374G	88	158	2	33	133		123	91	15	2		503	62	3	501		118	103		20	9	9		
42374H	88	158	2	53	133		123	91	15	2		503	62	3	501		118	103		20	9	9		
42376E	68	158	2	33	98		123	91	15	2		503	62	3	501		6	103		1	9	9		
42376G	68	158	2	33	98		123	91	15	2		503	62	3	501		81	103		1	9	9		
42376H	68	158	2	53	98		123	91	15	2		504	62	3	501		129	103		1	9	9		
42377E	68	158	2	33	98		123	91	15	2		503	62	3			6	103		1	9	9		
42377G	68	158	2	33	98		123	91	15	2		503	62	3			81	103		1	9	9		
42377H	68	158	2	53	98		123	91	15	2		504	62	3	501		129	103		1	9	9		
42393H	68	158	2	53	98		123	91	15	2		504	62	3	501		129	103		1	9	9		
42409H	100	104	2	47	98		104	91	15	1		505	92	50	502		83	136		76	9		302	
42431H	100	220	2	47	98		104	91	15	1		505	92	50	503		83	167		76	9		302	
42432H	100	104	2	47	98		104	91	15	1		15	92	50	502		83	136		76	9		302	

Group Title & Number	AIR INTAKE	BAFFLES & SHROUD	BREATHER & VENT	CAMSHAFT & VALVES	CARBURETOR	CLUTCH	CRANKCASE	CRANKSHAFT	CYLINDER HEAD	DIPSTICK	ELECTRIC START	EXHAUST	FLYWHEEL	FUEL PUMP	FUEL TANK	GEAR REDUCTION	GOVERNOR	IGNITION	INSTRUMENT PANEL	OIL PAN	PISTON & ROD	RETRACTABLE STARTER	REMOTE THROTTLE	ANTI FLICKER
	1	2	3	4	5	6	7	8	9	10	11	12	13	14	15	16	17	18	19	21	22	23	24	27
Page No.	22	26	30	31	33	40	42	43	44	46	48	56	58	61	64	67	68	71	76	78	80	81	85	86
Grid No.	B8	B12	C2	C3	C5	C12	C14	D1	D2	D4	D6	D14	E2	E5	E8	E11	E12	F1	F6	F8	F10	F11	G1	G2

Spec. No.

Variation Number

42440H	68	183	2	53	98		187	91	15	2	95	504	47	3	504		81	166	31	79	9				
42441H	68	183	12	53	98		187	91	15	2	95	504	47	3	501		81	166	31	79	9				
42445H	68	104	2	53	156		123	91	15	2		11	119	2			129	116		1	9				
42453H	68	158	2	53	98		123	91	15	2		504	62	3	501		129	103		1	9		9		
42468H	63	183	2	53	98		187	91	15	2	95	504	119	3	501		81	166	31	11	9				
42469H	100	104	2	47	98		104	91	15	1		505	92	50	505		83	136		76	9			302	
42470H	100	220	2	47	98		104	91	15	1		505	92	50	506		83	167		76	9			302	
42471H	100	104	2	47	98		104	91	15	1		505	92	50	505		83	136		76	9			302	
42472H	100	104	2	47	98		104	91	15	1		505	92	50	505		83	136		76	9			302	
42483H	100	104	2	47	98		104	91	15	1		505	92	50	505		83	136		76	9			302	
42484H	100	220	2	47	98		104	91	15	1		505	92	50	506		83	167		76	9			302	
42486H	68	158	2	53	98		123	91	15	2		504	62	3	507		129	103		1	9		9		
42496H	100	104	2	47	98		104	91	15	1		505	92	50	505		83	136		76	9			302	
42497H	100	220	2	47	98		104	91	15	1		505	92	50	506		83	167		76	9			302	
42547H	705	284	2	53	614		229	91	15	2		507	129	304	501		301	230		1	9		9		
42548H	705	284	2	53	614		229	91	15	2		507	129	304	501		301	230		1	9		9		
42549H	705	284	2	53	614		229	91	15	2		507	129	304	501		301	230		1	9		9		
42550H	705	284	2	53	614		229	91	15	2		507	129	304	501		301	230		1	9		9		
42551H	705	284	2	53	614		229	91	15	2		507	129	304	501		301	230		1	9		9		
42552H	706	286	2	47	615		219	91	15	2		508	128	305	505		303	136		76	9			302	
42553H	706	286	2	47	615		219	91	15	2		508	128	305	505		303	196		76	9			303	
42554H	706	286	2	47	615		219	91	15	2		508	128	305	505		303	196		76	9			303	
42556H	705	284	2	53	614		229	91	15	2		507	129	304	501		301	230		1	9		9		
42564H	706	286	2	47	615		219	91	15	2		508	128	305	505		303	196		76	9			303	
42567H	104	182	4	63	163		232	91	10	2		71	136	2			81	188		62	9				
42577H	104	182	4	63	163		232	91	10	2		76	136	2			81	188		62	9				
42578H	705	293	2	54	614		233	91	15	2	121	507	131	304	501		301	201	47	1	9				
42579H	705	286	2	53	616		229	91	15	2		506	142	301			301	190		1	9				
42583H	104	182	4	63	163		232	91	10	2		71	136	2			81	188		62	9				
42594H	104	182	4	63	163		232	91	10	2		71	136	2			81	188		62	9				
42596H	707	296	2	53	617		239	91	65	26		509	135	301			302	196		84	9				
42597H	104	182	4	63	163		232	91	10	2		71	136	2			81	188		62	9				
42598H	707	296	2	53	617		239	91	65	26		509	135	301			302	196		84	9				
42599H	104	182	4	63	163		232	91	10	2		71	136	2			81	188		62	9				
42600H	707	297	2	53	617		239	91	65	27		510	135	301			302	196		85	9				
42614H	705	284	2	53	614		229	91	15	2		507	129	304	501		301	230		1	9		9		
42615H	705	284	2	53	614		229	91	15	2		507	129	304	501		301	230		1	9		9		
42616H	705	284	2	53	614		229	91	15	2		507	129	304	501		301	230		1	9		9		
42617H	705	284	2	53	614		229	91	15	2		507	129	304	501		301	230		1	9		9		
42618H	705	293	2	54	614		233	91	15	2	121	507	131	304	501		301	201	47	1	9				
42622H	104	182	4	63	163		232	91	10	2		71	136	2			81	188		62	9				
42623H	104	182	4	63	163		232	91	10	2		71	136	2			81	188		62	9				
42624H	705	284	2	53	614		229	91	15	2		507	129	304	501		301	230		1	9		9		
42626H	104	182	4	63	163		232	91	10	2		71	136	2			81	188		62	9				
42627H	707	296	2	53	617		239	91	65	26		509	135	301			302	196		84	9				

Group Title & Number	AIR INTAKE	BAFFLES & SHROUD	BREATHER & VENT	CAMSHAFT & VALVES	CARBURETOR	CLUTCH	CRANKCASE	CRANKSHAFT	CYLINDER HEAD	DIPSTICK	ELECTRIC START	EXHAUST	FLYWHEEL	FUEL PUMP	FUEL TANK	GEAR REDUCTION	GOVERNOR	IGNITION	INSTRUMENT PANEL	OIL PAN	PISTON & ROD	RETRACTABLE STARTER	REMOTE THROTTLE	ANTI FLICKER
	1	2	3	4	5	6	7	8	9	10	11	12	13	14	15	16	17	18	19	21	22	23	24	27
Page No.	22	26	30	31	33	40	42	43	44	46	48	56	58	61	64	67	68	71	76	78	80	81	85	86
Grid No.	B8	B12	C2	C3	C5	C12	C14	D1	D2	D4	D6	D14	E2	E5	E8	E11	E12	F1	F6	F8	F10	F11	G1	G2

Spec. No. Variation Number

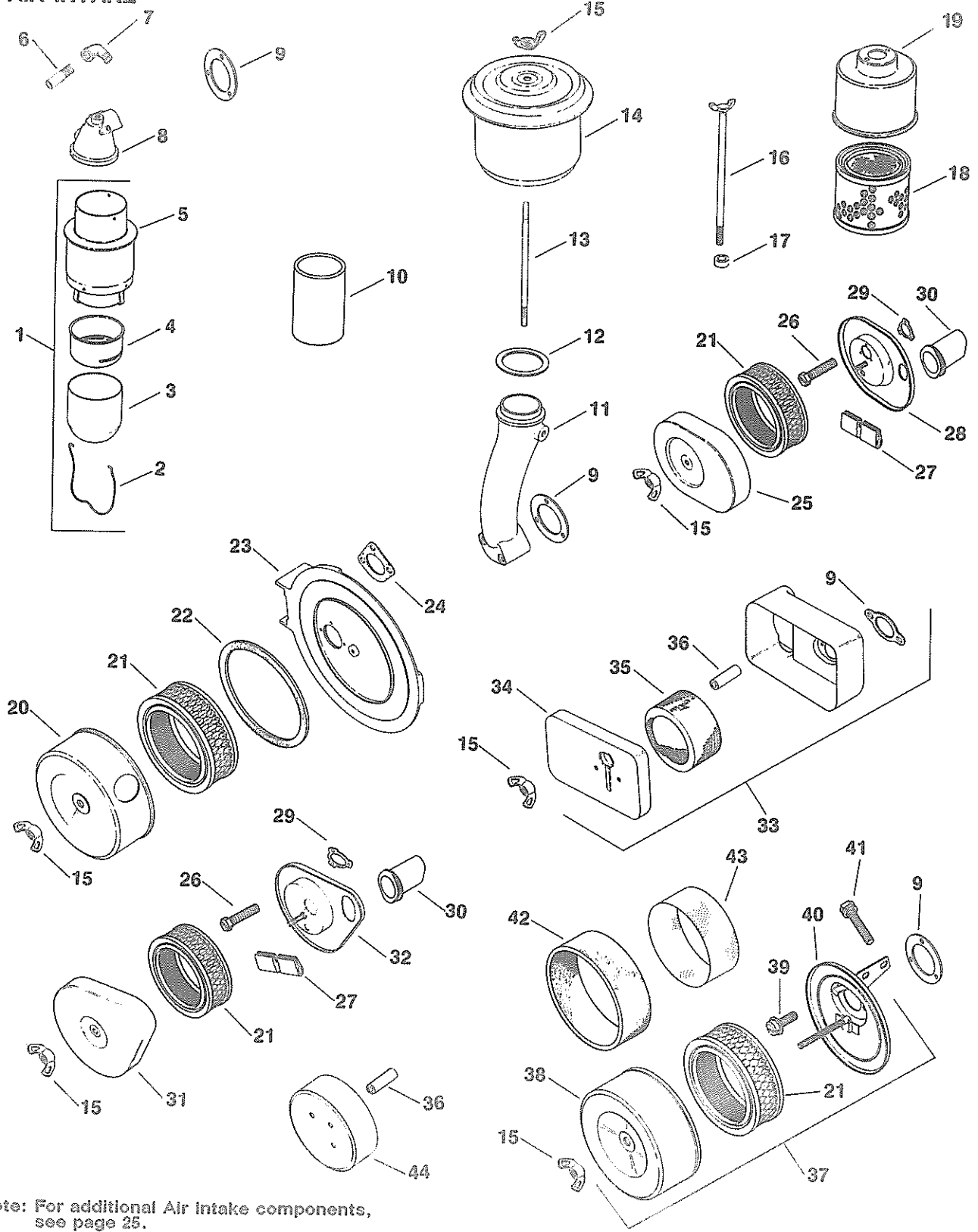
42629H	707	297	2	53	617		239	91	65	27		510	135	301		302	196		85	9				
42630H	707	297	2	53	617		239	91	65	27		510	135	301		302	196		85	9				
42632H	705	284	2	53	609		229	91	15	2		507	129	304	501	301	230		1	9		9		
42635H	707	297	2	53	617		239	91	65	27		510	135	301		302	196		85	9				
42639H	707	297	2	53	617		239	91	65	27		510	135	301		302	196		85	9				
42640H	707	297	2	53	617		239	91	65	27		510	135	301		302	196		85	9				
42700H	705	286	2	53	607		229	91	15	2		506	128	301		301	213		1	9				
42701H	705	286	2	53	607		229	91	15	2		506	128	301		301	213		1	9				
42702H	705	286	2	53	611		229	91	15	2		506	128	301	501	301	213		1	9				
42703H	705	286	2	53	607		229	91	15	2		506	128	301		301	213		1	9				
42704H	705	286	2	53	616		229	91	15	2		506	128	301		301	213		1	9				
42705H	705	284	2	53	609		229	91	15	2		507	129	304		301	230		1	9		9		
42706H	705	284	2	53	609		229	91	15	2		507	129	304	501	301	230		1	9		9		
42707H	705	284	2	53	609		229	91	15	2		506	129	304		301	230		1	9		9		
42708H	705	284	2	53	609		229	91	15	2		507	129	304	501	301	230		1	9		9		
42709H	705	284	2	53	609		229	91	15	2		507	129	304	501	301	230		1	9		9		
42710H	705	284	2	53	609		229	91	15	2		507	129	304	501	301	230		1	9		9		
42711H	705	284	2	53	609		229	91	15	2		507	129	304	501	301	230		1	9		9		
42712H	705	284	2	53	609		229	91	15	2		507	129	304	501	301	230		1	9		9		
42713H	705	284	2	53	609		229	91	15	2		507	129	304	501	301	230		1	9		9		
42714H	705	284	2	53	609		229	91	15	2		507	129	304	501	301	230		1	9		9		
42715H	705	284	2	53	609		229	91	15	2		507	129	304	501	301	230		1	9		9		
42716H	705	284	2	53	609		229	91	15	2		507	129	304	501	301	230		1	9		9		
42717H	705	284	2	53	609		229	91	15	2		507	129	304	501	301	230		1	9		9		
42718H	705	284	2	53	609		229	91	15	2		507	129	304	501	301	230		1	9		9		
42719H	705	284	2	53	609		229	91	15	2		506	129	304		301	230		1	9		9		
42720H	705	284	2	53	609		229	91	15	2		507	129	304	501	301	230		1	9		9		
42721H	705	286	2	53	616		229	91	15	2		506	128	301		301	213		1	9				
42722H	705	284	2	53	609		229	91	15	2		507	129	304		301	230		1	9		9		
42723H	104	182	4	63	163		232	91	10	2		71	136	2		81	188		62	9				
42724H	104	182	4	63	163		232	91	10	2		71	136	2		81	188		62	9				
42725H	705	284	2	53	609		229	91	15	2		507	129	304	501	301	230		1	9		9		
42726H	708	286	2	53	618		229	91	15	2		506	128	303		301	213		1	9				
42727H	704	286	2	53	612		229	91	15	2		506	128	300		301	213		1	9				
42728H	704	286	2	53	613		229	91	15	2		506	128	300		301	213		1	9				
42729H	704	305	2	53	613		229	91	15	2		506	147	300		301	213		1	9				
42730H	704	286	2	53	612		229	91	15	2		506	128	300		301	213		1	9				
42731H	704	286	2	53	613		229	91	15	2		506	128	300		301	213		1	9				
42732H	704	305	2	53	613		229	91	15	2		506	147	300		301	213		1	9				
42733H	704	284	2	53	610		229	91	15	2		507	129	300		301	230		1	9		9		
42734H	708	286	2	53	618		229	91	15	2		506	128	303		301	213		1	9				
42735H	705	284	2	53	609		229	91	15	2		507	129	304	501	301	230		1	9		9		
42736H	704	286	2	53	612		229	91	15	2		506	128	300		301	213		1	9				
42737H	709	309	2	53	619		239	91	65	27		510	135	302		302	196		85	9				
42738H	704	286	2	53	192		229	91	70	2		506	128			153	213		1	9				

Group Title & Number	AIR INTAKE	BAFFLES & SHROUD	BREATHER & VENT	CAMSHAFT & VALVES	CARBURETOR	CLUTCH	CRANKCASE	CRANKSHAFT	CYLINDER HEAD	DIPSTICK	ELECTRIC START	EXHAUST	FLYWHEEL	FUEL PUMP	FUEL TANK	GEAR REDUCTION	GOVERNOR	IGNITION	INSTRUMENT PANEL	OIL PAN	PISTON & ROD	RETRACTABLE START	REMOTE THROTTLE	ANTI FLICKER
	1	2	3	4	5	6	7	8	9	10	11	12	13	14	15	16	17	18	19	21	22	23	24	27
Page No.	22	26	30	31	33	40	42	43	44	46	48	56	58	61	64	67	68	71	76	78	80	81	85	86
Grid No.	B8	B12	C2	C3	C5	C12	C14	D1	D2	D4	D6	D14	E2	E5	E8	E11	E12	F1	F6	F8	F10	F11	G1	G2

Spec. No. Variation Number

42739H	705	286	2	53	192		229	91	70	2		506	128				153	213		1	9				
42740H		297	2	53			239	91	65	27		510	135				153	196		85	9				
42741H		309	2	53	619		239	91	65	27		510	135				153	196		85	9				
42742H	709	309	2	53	619		239	91	65	27		510	135				153	196		85	9				
42743H	705	333	2	53	192		229	91	70	2		507	129				153	230		1	9	22			
42744H	709	309	2	53	619		239	91	65	27		510	135				153	196		85	9				
42745H	104	182	4	63	163		232	91	10	2		71	136	2			81	188		62	9				
42746H	104	182	4	63	163		232	91	10	2		71	136	2			81	188		62	9				
42747H	705	333	2	53	192		229	91	70	2		507	129				153	230		1	9				
42748H	705	286	2	53	192		229	91	78	2		506	128				153	213		1	9				
42749H	704	286	2	53	192		229	91	78	2		506	128				153	213		1	9				
42750H	705	286	2	53	192		229	91	78	2		506	128				153	213		1	9				
42751H	705	286	2	53	192		229	91	78	2		506	128				153	213		1	9				
42752H	704	286	2	53	192		229	91	78	2		506	128				153	213		1	9				
42753H	705	333	2	53	192		229	91	70	2		507	129				153	230		1	9	22			
42754H	705	333	2	53	192		229	91	70	2		507	129				153	213		1	9	22			
42755H	705	333	2	53	192		229	91	70	2		507	129				153	213		1	9	22			
42756H	705	286	2	53	192		229	91	78	2		506	128				153	213		1	9				
42757H	704	286	2	53	192		229	91	78	2		506	128				153	213		1	9				
42758H	705	286	2	53	192		229	91	78	2		506	128				153	213		1	9				
42759H	704	286	2	53	192		229	91	78	2		506	128				153	213		1	9				
42760H	705	286	2	53	192		229	91	70	2		507	129				153	213		1	9	22			
42761H	68	335	2	53	93		229	91	70	1			129	3			129	213		1	9	9			
42762H	68	335	2	53	93		229	91	70	1			129	3			129	213		1	9	9			
42763H	68	335	2	53	93		229	91	70	1			129	3			129	213		1	9	9			
42764H	68	335	2	53	93		229	91	70	1			129	3			129	213		1	9	9			
42765H	68	335	2	53	93		229	91	70	1			129	3			129	213		1	9	9			

Group 1
AIR INTAKE



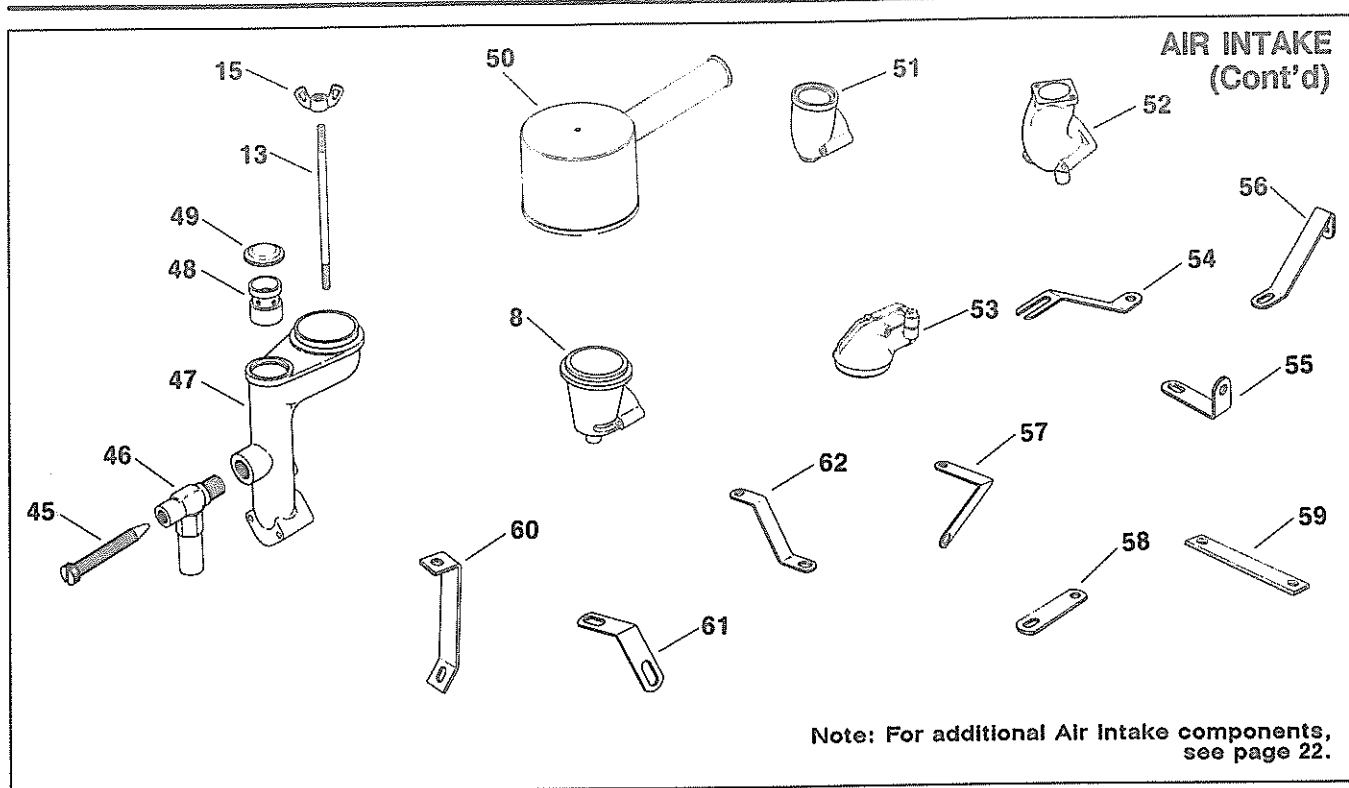
Note: For additional Air Intake components, see page 25.

Index Number	Description Variation Number	Part Number	Index Number	Description Variation Number	Part Number
1	Assembly, air cleaner (Includes 2-5) (Discontinued not available at Kohler Co.) 8,78,82,87	A-230538	13	Stud, air cleaner 1/4-20x4-3/8" (Discontinued not available at Kohler Co.) 69	234488
1	Assembly, air cleaner (Includes 2-5) (Discontinued not available at Kohler Co.) 67,101	A-241302	13	Stud, air cleaner 1/4-20x2-1/8" 335,709	265289
2	Fastener, air cleaner cup 8,67,78,82,87,101	231416	13	Stud, air cleaner 1/4-20x6-5/8" 708	210186-1
3	Cup, air cleaner 8,78,82,87	231414	14	Cleaner, air 1,88,102,108,708	151834
3	Cup, air cleaner (Discontinued not available at Kohler Co.) 67,101	232562	14	Cleaner, air (Discontinued not available at Kohler Co.) 701,702	A-210323
4	Baffle, air cleaner (Discontinued not available at Kohler Co.) 8,78,82,87	231415	15	Wing nut 1/4"-20 1,3,63,68,69,70,73,75,79,88,92,99, 100,102,103,105,106,108,109,113, 114,116,118,119,120,122,124,127, 132,133,135,703,704,705,707,708, 709,711,713	X-276-7
4	Baffle, air cleaner (Discontinued not available at Kohler Co.) 67,101	232563	16	Stud, air cleaner 1/4-20x6-7/8" (Discontinued not available at Kohler Co.) 701,702	220318
5	Body, upper (Discontinued not available at Kohler Co.) 8,78,82,87	232561	17	Spacer (2) 701,702	275028
6	Nipple 1/4x1" (Discontinued not available at Kohler Co.) 101	47 136 03	18	Element, air cleaner 63	232804
7	Elbow, street 1/4" (Discontinued not available at Kohler Co.) 101	X-211-6	19	Base, air cleaner 63	231576
8	Elbow, air cleaner 8,78,82	230553	20	Cover, air cleaner (Discontinued not available at Kohler Co.) 709	237426
8	Elbow, air cleaner (Discontinued not available at Kohler Co.) 67,109	230537	21	Element, air cleaner 68,69,70,73,75,79,100,105,106,109,116, 124,127,132,133,135,705,710,711	231847
8	Elbow, air cleaner (Discontinued not available at Kohler Co.) 101	230999	21	Element, air cleaner 99,113,114,119,120,707,713	235116
8	Elbow, air cleaner 104	230276	21	Element, air cleaner 118	47 083 01
9	Gasket, air cleaner (A.R.) ALL (except 87,94,99,104,707)	41 041 11	21	Element, air cleaner 709	47 083 02
9	Gasket, intake elbow (A.R.) 104	232754	21	Element, air cleaner 122	47 083 04
10	Sock, polyurethane (Discontinued not available at Kohler Co.) 78,82,101	232568	21	Element, air cleaner 103,703,704	230840
11	Elbow, air cleaner 1,77,102,108	230167		On 3KW gasoline models before serial no.338157 use:	230840
11	Elbow, air cleaner (Discontinued not available at Kohler Co.) 69	231559	22	Seal, air cleaner 707,709	231847
12	Gasket, air cleaner 1,69,102,108,708	AC-1787	23	Base, air cleaner 335,707,709	41 094 02
13	Stud, air cleaner 1/4-20x6-1/4" (Discontinued not available at Kohler Co.) 1,102,108	230196	24	Gasket, air cleaner 99,335	234840
13	Stud, air cleaner 1/4-20x7-1/4" (Discontinued not available at Kohler Co.) 17,88	220314	25	Cover, air cleaner 113,114,120	41 082 01
			26	Screw, self tapping 8-32x1/2" (3) 113,118,119,120,122	X-67-59
			27	Seal, air cleaner 113,114,118,120	47 032 03

**AIR INTAKE
(Cont'd)**

K181

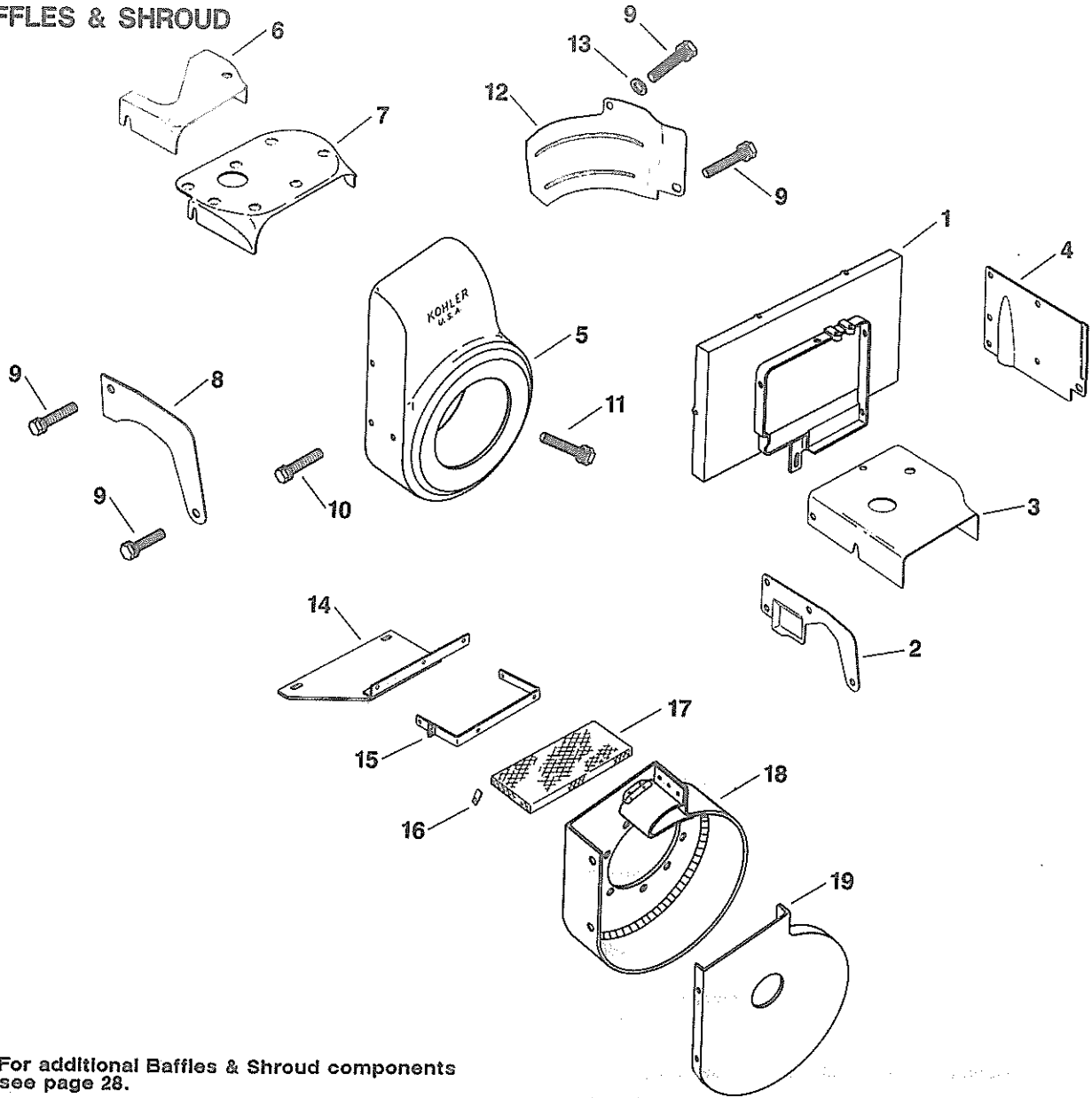
Index Number	Description Variation Number	Part Number	Index Number	Description Variation Number	Part Number
27	Seal, air cleaner (2) 122	47 032 03	39	Screw, R.H.M. 8-32x3/8" 68,105	
28	Base, air cleaner 113,120	41 094 06		Before serial no. 11072773 use (2):	X-167-1
28	Base, air cleaner 114	41 094 04	40	Base, air cleaner 70,73,100,109,127,705	X-67-59
29	Gasket, air cleaner 113,114,119,120,124,132,133,135	41 041 11	40	Base, air cleaner 68,105	231857
29	Gasket, air cleaner 118,122	41 041 06		Before serial no. 11072773 use:	231857
30	Tube, air cleaner 113,114,118,120,122	41 134 01	40	Base, air cleaner 69	41 201 03
31	Cover, air cleaner 118,122	47 082 01	40	Base, air cleaner 75,106,116	231255
32	Base, air cleaner 118,122	41 094 08	40	Base, air cleaner (Discontinued not available at Kohler Co.)	232551
33	Kit, air duct (Includes 9,34-36) 3,100,706	A-230365-S	40	Base, air cleaner 79	232582
34	Cover, duct 100,706	220854	40	Base, air cleaner 711	232713
35	Element 3	220922	40	Base, air cleaner 92,103,703,704	
35	Element (Use with 33) 3,100,76	235308		On 3KW gasoline models before Serial no. 338157 use:	230838
36	Spacer (Discontinued not available at Kohler Co.) 3	X-342	40	Base, air cleaner 124,132,133,135	231857
36	Spacer (2) 100,706	X-400-73	40	Base, air cleaner (Not supplied by Kohler Co.-Contact Original Equipment Manufacturer.)	41 201 03
36	Spacer (3) (Discontinued not available at Kohler Co.) 94	X-400-51	41	Screw, self tapping 8-32x3/8" (2) 68,73,105,109,119,127	X-67-59
37	Assembly, air cleaner (Includes 21 (231847),38-40 (Use before serial no. 11072773) 68,70,73,105,109,705	A-231886	41	Screw, self tapping 8-32x3/8" (3) 124	X-67-59
38	Cover, air cleaner 68,69,70,73,75,79,100,105,106, 109,116,124,127,132,133,135,705	231855	41	Screw, self tapping 8-32x3/8" (5) 132,133,135	X-67-59
38	Cover, air cleaner 99,119,712,713	235102	42	Element, precleaner (Use with 21 [230840], before serial no. 338157)	234870
38	Cover, air cleaner 92,103,703,704	230839	42	Element, precleaner (Use with 21 [231847], after serial no. 338156)	234869
	On 3KW gasoline models before serial no. 338157 use:	230839	43	Screen (Discontinued not available at Kohler Co.)	232894
	On 3KW gasoline models after serial no. 338156 use:	231855	44	Shield, air intake (Discontinued not available at Kohler Co.)	
39	Screw, R.H.M. 8-32x3/8" (2) 73,109,127	X-167-1		94	234276
			NOT ILLUSTRATED		
				Decal, air cleaner 124	25 113 07



Index Number	Description Variation Number	Part Number	Index Number	Description Variation Number	Part Number
45	Valve, needle (Discontinued not available at Kohler Co.) 17,708	150305	55	Brace, air cleaner 1,102,108	230339
46	Body, valve (Discontinued not available at Kohler Co.) 17,708	220482	55	Brace, air cleaner (Discontinued not available at Kohler Co.) 77	234719
47	Mixer, gas (Discontinued not available at Kohler Co.) 17,88,708	234868	56	Brace, air cleaner (Discontinued not available at Kohler Co.) 8,67,78,101	230539
48	Venturi 9/16" (Discontinued not available at Kohler Co.) 17,88	230471	57	Brace, air cleaner (Discontinued not available at Kohler Co.) 87	232685
48	Venturi 5/8" (Discontinued not available at Kohler Co.) 708	232737	58	Brace, air cleaner (Discontinued not available at Kohler Co.) 69	231563
49	Plug, expansion (Discontinued not available at Kohler Co.) 17,708	X-230-16	59	Brace, air cleaner (Discontinued not available at Kohler Co.) 707,709	238052
49	Plug, expansion 88	X-230-20	60	Brace, mixer (Discontinued not available at Kohler Co.) 17,88	230559
50	Arrestor, flame (Discontinued not available at Kohler Co.) 104	234878	61	Brace, air cleaner (Discontinued not available at Kohler Co.) 708	41 120 01
51	Elbow, air cleaner (Discontinued not available at Kohler Co.) 701,702	210359	62	Brace, air cleaner (Discontinued not available at Kohler Co.) 82	232622
52	Elbow, air cleaner 76,106,116,123	232505	62	Brace, air cleaner (Discontinued not available at Kohler Co.) 104	232749
53	Elbow, air cleaner (Discontinued not available at Kohler Co.) 87	232687			
54	Brace, air cleaner (Discontinued not available at Kohler Co.) 701,702	230312			

K181

Group 2 BAFFLES & SHROUD



Note: For additional Baffles & Shroud components see page 28.

Index Number	Description Variation Number	Part Number	Index Number	Description Variation Number	Part Number
1	Duct, hot air (Discontinued not available at Kohler Co.) 303	41 281 01	4	Baffle, cylinder 303,313	41 063 06
1	Duct, hot air 313	41 281 02	4	Baffle, cylinder (Discontinued not available at Kohler Co.) 307	41 063 07
2	Baffle, side air 303,313	41 063 04	5	Housing, blower 1,34	231804
2	Baffle, side air (Discontinued not available at Kohler Co.) 307	41 063 08	5	Housing, blower 104,174,187,194,200,236,266,286	231774
3	Baffle, head 303,307,313	41 124 02	5	Housing, blower (Discontinued not available at Kohler Co.) 124,138,139,172,205	231776
3	Baffle, head 328,329,330	41 124 04			

K181

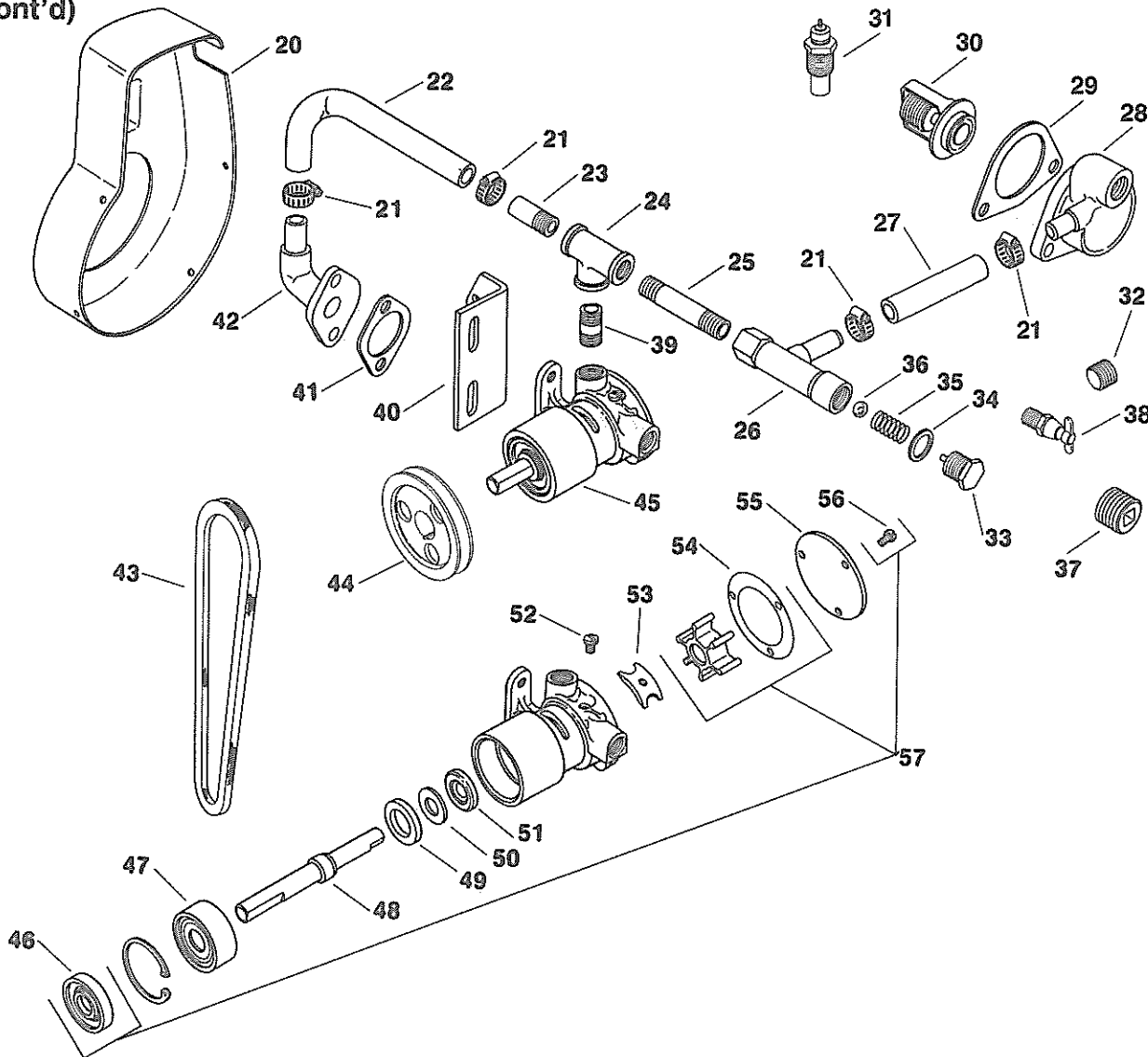
Index Number	Description Variation Number	Part Number	Index Number	Description Variation Number	Part Number
5	Housing, blower (Discontinued not available at Kohler Co.) 223	232870	5	Housing, blower 327	41 027 42
5	Housing, blower 234,239,254,263,269,289,293,316	234315	5	Housing, blower 326,332	234449
5	Housing, blower (Discontinued not available at Kohler Co.) 245,262	234860	5	Housing, blower (Discontinued not available at Kohler Co.) 339	41 027 44
5	Housing, blower 248,274,328	234449	5	Housing, blower 340	41 027 46
5	Housing, blower (Discontinued not available at Kohler Co.) 220	234489	6	Baffle, head 316,317,322	41 124 03
5	Housing, blower 215	41 027 21	7	Baffle, head 1,34,40,104,124,130,131,133,137, 138,139,142,143,148,163,168,171, 172,174,179,181,183,187,193,194, 200,205,207,214,215,216,217,220, 222,223,224,227,234,236,237,239, 242,245,248,254,256,263,270,271, 289,305	234402
5	Housing, blower 40,109,237	41 027 03	7	Baffle, head 109,152,257,262,266,268,269,274, 275,276,277,278,284,286,287,290, 293,294,299,300,310,314,318,319, 320,323,326,327,332,333,335,336, 337,340	234796
5	Housing, blower 130,131,137,143,148,183,193,214, 216,217,222,227,246,271,277,300	41 027 04	7	Baffle, head (Discontinued not available at Kohler Co.) 296,297,309	230986
5	Housing, blower 276	41 027 06	8	Baffle, side air ALL (except 182,303,307,313)	230757
5	Housing, blower 275,294,330	41 027 07	9	Screw, sems hex hd. 1/4-20x3/4" (5) 268,269,274,275,276,278,284,286, 289,294,299,300,310,316,317,318, 319,322,327,328,330,333,336,339, 340	X-132-2
5	Housing, blower 278	41 027 09	10	Screw, sems hex. hd. 1/4-20x1/2" 275,284,289,294,300,310,313,316, 317,318,319,327,330,336,339	X-132-6
5	Housing, blower 152	41 027 10	11	Screw, sems hex hd. 1/4-20x3/8" 268,269,274,276,278,286,299,322, 328	X-132-1
5	Housing, blower 133,168,171,207,287	-41 027 12	12	Baffle, cylinder head 1,34,40,104,124,130,131,133,137, 138,139,142,143,148,163,168,171, 172,174,179,181,183,187,193,194, 200,205,207,214,215,216,217,220, 222,223,224,227,236,237,242,246, 248,256,270,271,284,286,293,294, 296,297,300,305,309,327,333,335	230054
5	Housing, blower 290	41 027 13	12	Baffle, cylinder 289,336,339,340	234795
5	Housing, blower (Discontinued not available at Kohler Co.) 296,297,309	41 027 16	13	Washer, plain 17/64" I.D." 268,269,274,275,276,278,284,286, 289,294,299,300,310,318,319,328, 330,340	X-25-53
5	Housing, blower 299,329	41 027 17	14	Bracket, scroll support (Discontinued not available at Kohler Co.) 297,309	237792
5	Housing, blower 307,318	41 027 20	15	Bracket, scroll support (Discontinued not available at Kohler Co.) 296,297,309	238051
5	Housing, blower 284,333,335,336	41 027 21			
5	Housing, blower (Discontinued not available at Kohler Co.) 303	41 027 27			
5	Housing, blower (Discontinued not available at Kohler Co.) 310	41 027 28			
5	Housing, blower (Discontinued not available at Kohler Co.) 314	41 027 30			
5	Housing, blower 313	41 027 33			
5	Housing, blower (Discontinued not available at Kohler Co.) 319	41 027 34			
5	Housing, blower 142,179,181,224,242,257,268,270, 292,317,320,322,325	41 027 36			
5	Housing, blower (Discontinued not available at Kohler Co.) 323	41 027 38			

BAFFLES & SHROUD
(Cont'd)

K181

Index Number	Description Variation Number	Part Number	Index Number	Description Variation Number	Part Number
16	Brace 296,297,309	41 120 02	18	Scroll, assembly (Includes 16,17) 296,297,309	41 539 03
17	Screen (Discontinued not available at Kohler Co.) 296,297,309	41 162 03	19	Cover, scroll (Discontinued not available at Kohler Co.) 296,297,309	230587

BAFFLES & SHROUD
(Cont'd)



Note: For additional Baffles & Shroud components, see page 26.

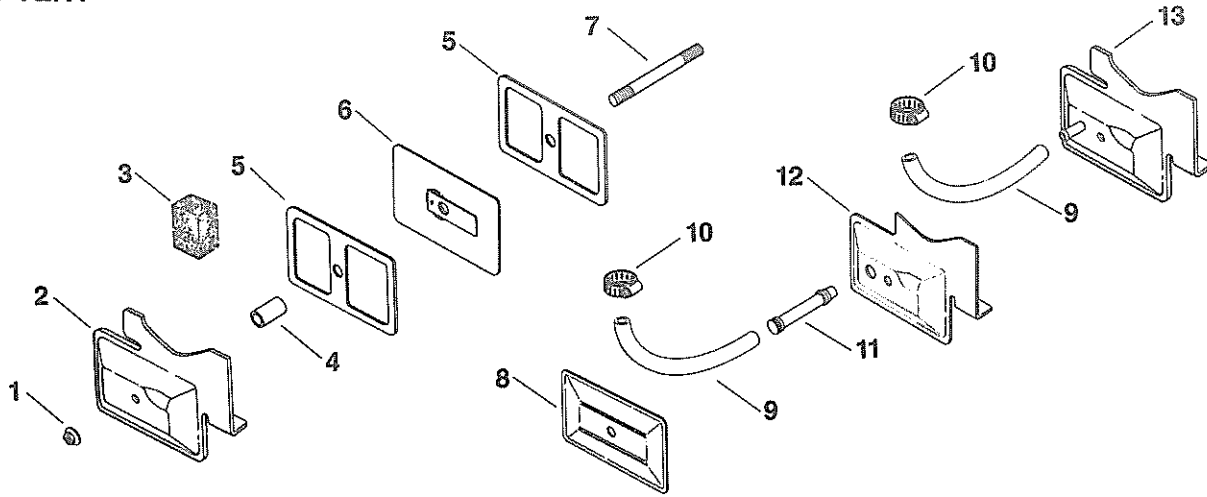
Index Number	Description Variation Number	Part Number	Index Number	Description Variation Number	Part Number
20	Housing, blower (Discontinued not available at Kohler Co.) 182	230458	22	Hose, 1/2x10-1/2" (Discontinued not available at Kohler Co.) 182	X-386-10
21	Clamp, hose 1" (4) 182	X-426-3			

K181

Index Number	Description Variation Number	Part Number	Index Number	Description Variation Number	Part Number
23	Nipple, brass 1/4x1-1/4" (Discontinued not available at Kohler Co.) 182	X-226-3	40	Bracket, water pump (Discontinued not available at Kohler Co.) 182	230882
24	Tee, pipe (Discontinued not available at Kohler Co.) 182	155019	41	Gasket, inlet elbow 182	230593
25	Nipple 1/4x2-1/2" (Discontinued not available at Kohler Co.) 182	X-220-10	42	Elbow, water inlet (Discontinued not available at Kohler Co.) 182	230592
26	Body, relief valve (Discontinued not available at Kohler Co.) 182	230567	43	Belt, water pump (Discontinued not available at Kohler Co.) 182	230576
27	Hose 1/2x2-3/4" (Discontinued not available at Kohler Co.) 182	X-422-5	44	Pulley, water pump (Discontinued not available at Kohler Co.) 182	230768
28	Flange, water outlet (Discontinued not available at Kohler Co.) 182	230573	45	Assembly, water pump (Discontinued not available at Kohler Co.) 182	A-232383
29	Gasket, flange 182	230572	46	Seal, water pump 182	232877
30	Thermostat (Bellows type) (Use with 230451 cylinder head) (Replaced by 41 453 01) 182	230563	47	Bearing, ball 182	232882
30	Thermostat (Wax type) (Use with 41 015 05 cylinder head) 182	41 453 01	48	Shaft, water pump 182	232876
31	Switch, water temperature (Discontinued not available at Kohler Co.) 182	240976	49	Seal, bearing - rubber 182	232880
32	Plug, pipe 1/2" 182	X-75-3	50	Slinger (Discontinued not available at Kohler Co.) 182	232878
33	Nut, relief valve 5/8x7/16" (Discontinued not available at Kohler Co.) 182	230571	51	Seal, water pump (Discontinued not available at Kohler Co.) 182	232879
34	Washer, relief valve 182	230569	52	Screw, cam (Discontinued not available at Kohler Co.) 182	232881
35	Spring, relief valve (Discontinued not available at Kohler Co.) 182	230568	53	Cam (Discontinued not available at Kohler Co.) 182	232873
36	Ball, relief valve 7/16" (Discontinued not available at Kohler Co.) 182	230570	54	Gasket (Discontinued not available at Kohler Co.) 182	232875
37	Plug, pipe 1" (Discontinued not available at Kohler Co.) 182	X-75-22	55	Cover, end (Discontinued not available at Kohler Co.) 182	232871
38	Valve (Discontinued not available at Kohler Co.) 182	X-256-2	56	Screw, end cover (3) 182	232883
39	Nipple 1/4x1-1/4" (Discontinued not available at Kohler Co.) 182	X-220-9	57	Kit, water pump repair (Includes 46,54,56) 182	232885

K181

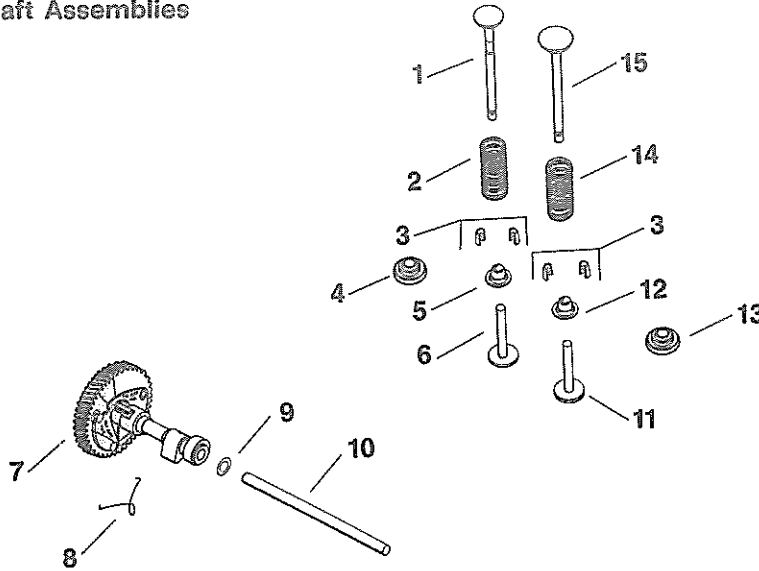
Group 3 BREATHER & VENT



Index Number	Description Variation Number	Part Number	Index Number	Description Variation Number	Part Number
1	Nut 2,11,12,14	X-799-1	9	Höse, breather 5x25/32" (Discontinued not available at Kohler Co.)	
2	Cover, valve 2	230774	10	Clamp, hose 7,10	X-422-5
3	Filter (2) ALL	231419	11	Hose, breather 2-5/8x1/2" 12,14	X-426-3
4	Seal, breather ALL	230046	12	Cover, valve (Discontinued not available at Kohler Co.)	41 326 01
5	Gasket, valve cover (2) ALL	230048	13	Cover, valve 12	41 096 03
6	Breather ALL	230066	13	Cover, valve 11	41 254 02
7	Stud, valve cover ALL	230043	13	Cover, valve 9,10	A-230996
8	Cover, valve (Discontinued not available at Kohler Co.) 4	A-230700	13	Cover, valve (Discontinued not available at Kohler Co.) 13	41 254 03
9	Hose, breather 5x1/2" 7	X-484-7	13	Cover, valve (Discontinued not available at Kohler Co.) 14	41 254 05

ACR Camshaft Assemblies

Group 4
CAMSHAFT
& VALVES



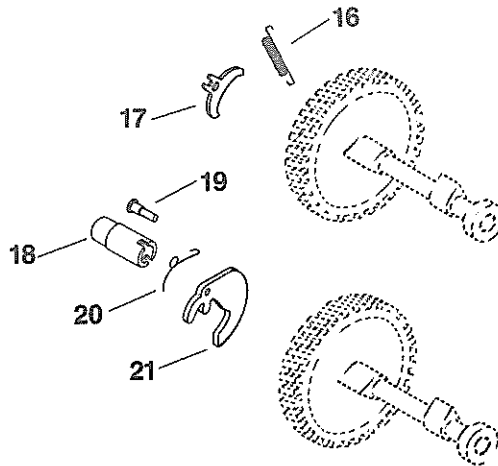
Note: For additional Camshaft and Valve components, see page 32.

Index Number	Description Variation Number	Part Number	Index Number	Description Variation Number	Part Number
1	Valve, exhaust (Standard) 17,47,51,55,58	230710	7	Kit, camshaft (metallic gear) (Includes 6 [232777]) 70	41 010 05
1	Valve, exhaust (Stellite) 33,48,52,53,54,56,59,60,61,63,67, 68,69,70,71,75	230027	8	Spring, actuating 17,33,47,48,51,52,53,54,55,56,58, 59,60,61,63,67,68,71,75	47 089 01
2	Spring, exhaust valve 17,47,51,55,58,59,60,71	230010	8	Spring, actuating 70	41 089 05
2	Spring, exhaust valve 33,48,52,53,54,56,61,67,68,69, 70,75	230168	9	Spacer, camshaft .005 (A.R.) ALL	230293
2	Spring, exhaust valve 63	231635	9	Spacer, camshaft .010 (A.R.) ALL	230294
3	Kit, retainer (2) ALL	41 755 10	10	Pin, camshaft ALL	41 380 03
4	Rotator, exhaust valve 33,48,52,53,54,56,61,63,67,68,69, 70,75	52 413 01	11	Tappet, intake valve ALL	230013
5	Retainer, exhaust valve spring 17,47,51,55,58,59,60,71	230011	12	Retainer, intake valve spring 17,47,48,51,52,55,56,58,59,60,67, 68,69,71	230011
6	Tappet, exhaust (ACR) ALL On engines before Spec. Suffix "D" without ACR camshaft, use: On engines after Spec. Suffix "D" with ACR camshaft use:	230013 232777	13	Rotator, intake valve 33,53,54,61,63,70,75	52 413 01
7	Kit, camshaft (metallic gear) (Includes 6 [232777]) 17,33,47,48,51,52,53,54,61,71	A-230155-S	14	Spring, intake valve 17,47,48,51,52,55,56,58,59,60,67, 68,69,71	230010
7	Kit, camshaft (non-metallic gear) (Includes 6 [232777]) 55,56,58,59,60,63,67,68	A-231511-S	14	Spring, intake valve 33,53,54,61,70,75	230168
7	Kit, camshaft (metallic gear) (Includes 6 [232777]) (Actuating spring on camshaft should NOT be used, disconnect and remove) 69,75	A-230155-S	14	Spring, intake valve 63	231635
			15	Valve, intake (Standard) 17,47,48,51,52,55,56,58,59,60,61, 67,68,69,71	230008
			15	Valve, intake (Stellite) 33,53,54,63,70,75	230582

**CAMSHAFT
& VALVES
(Cont'd)**

K181

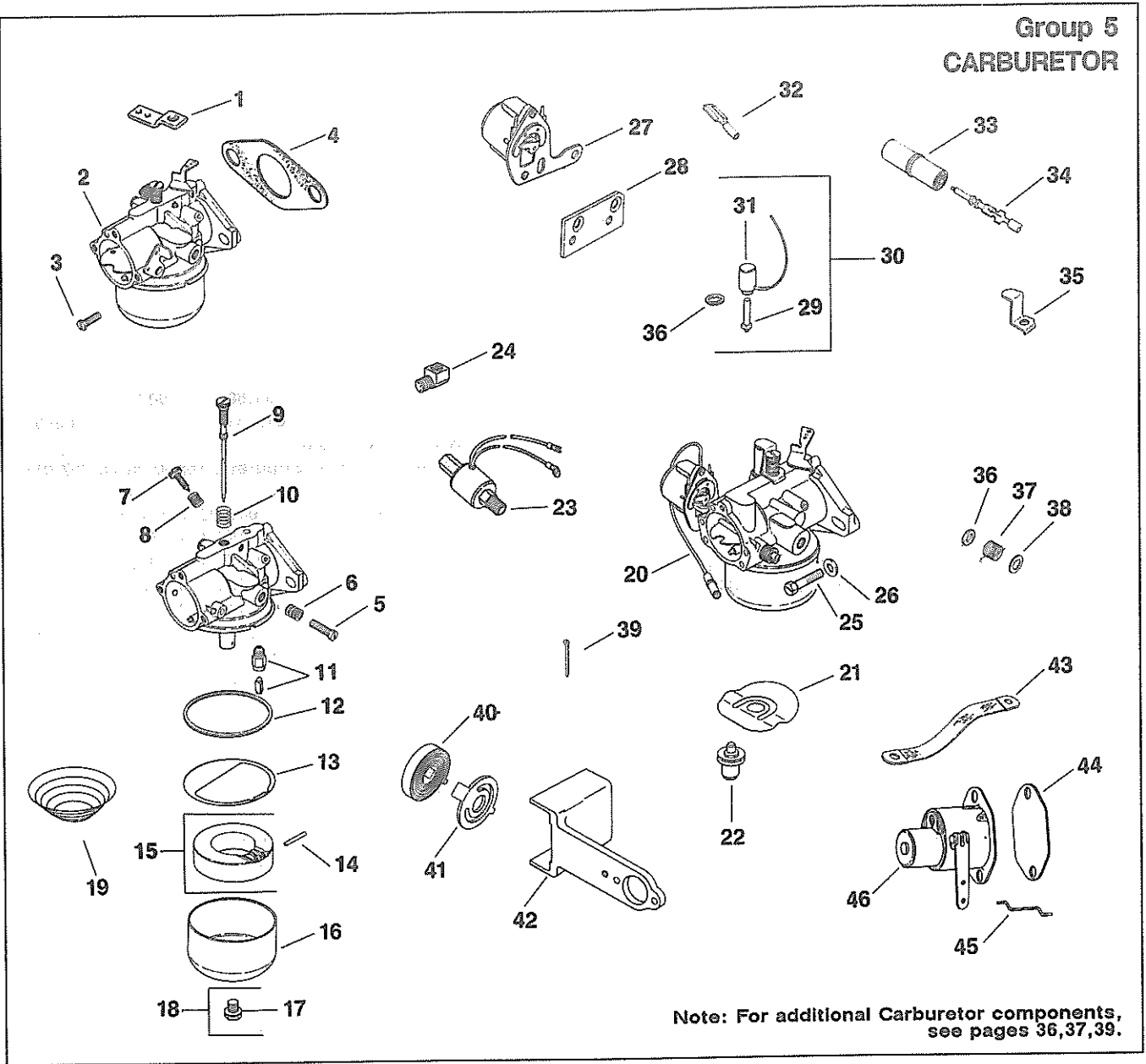
Pre-ACR Camshaft Assemblies



Note: For additional Camshaft and Valve components, see page 31.

Index Number	Description Variation Number	Part Number	Index Number	Description Variation Number	Part Number
<p>Note: The following parts were used on engines before Spec. Suffix "D" and are the only serviceable parts for the old style camshaft assemblies. If replacement of a complete camshaft is necessary, the Automatic Compression Release Camshaft Kit A-230155-S or A-231511-S should be used (See Index No. 7). These kits include exhaust valve tappet 232777 which must be used with ACR camshafts.</p>			17	Weight, stabilizing (Discontinued not available at Kohler Co.)	232659
			18	Cam, ignition (Magneto)	230188
			18	Cam, ignition (Battery) (Discontinued not available at Kohler Co.)	230690
			19	Pin, flyweight (2)	231730
			20	Spring, governor (2)	275267
			21	Flyweight, spark advance (2) (Discontinued not available at Kohler Co.)	230087
16	Spring, spark advance (Discontinued not available at Kohler Co.)	232661			

Group 5
CARBURETOR



Note: For additional Carburetor components, see pages 36,37,39.

Index Number	Description Variation Number	Part Number	Index Number	Description Variation Number	Part Number
1	Extension, throttle lever (Discontinued not available at Kohler Co.) 158	234640	2	Carburetor assembly (Includes 5-18) (Replaced by 41 053 09) 173,178,185,191,195	41 053 01
2	Carburetor assembly (Includes 5-18) (Replaced by 41 853 08) 96,99,100,102,103,122,123,129,139, 145,146,152,166,171,172	B-231739	2	Carburetor assembly (Includes 5-18) 177,181,190	41 053 04
2	Carburetor assembly (Includes 5-18) (Discontinued not available at Kohler Co.) 104,156,162,163,170,616,618	A-231741	2	Carburetor assembly (Includes 5-18,22,23) (Discontinued not available at Kohler Co.) 186	41 053 05
2	Carburetor assembly (Includes 5-18) (Discontinued not available at Kohler Co.) 158	A-234641	2	Carburetor assembly (Includes 5-18,19,20) 189	41 053 06

CARBURETOR
(Cont'd)

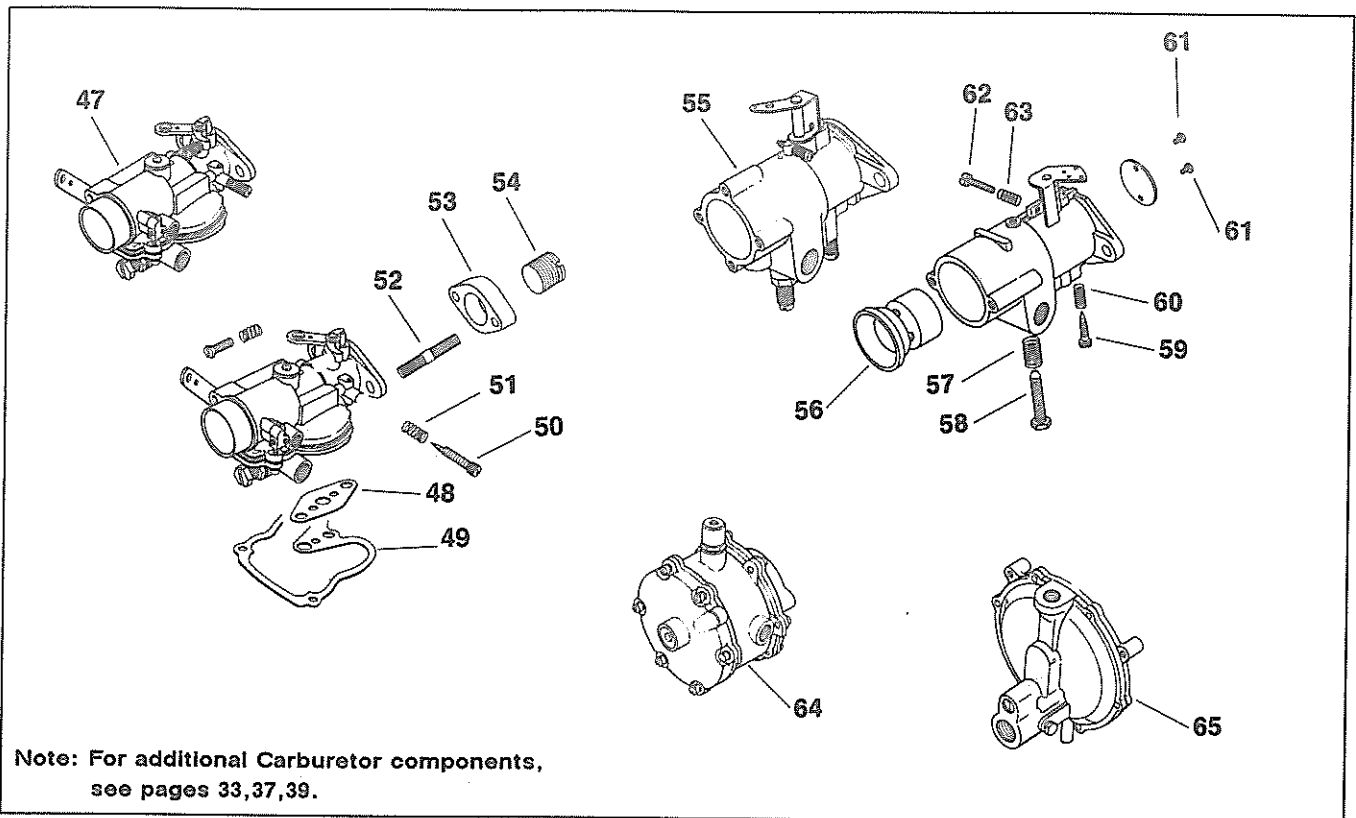
K181

Index Number	Description Variation Number	Part Number	Index Number	Description Variation Number	Part Number
2	Carburetor assembly (Includes 5-18) 601,606	G-220517	9	Needle, main fuel adjusting 186	41 103 01
2	Carburetor assembly (Includes 5-18) (Discontinued not available at Kohler Co.) 602,603	F-230501	9	Needle, main fuel adjusting 187,193,194,300,301	41 103 02
2	Carburetor assembly (Includes 5-18) (Discontinued not available at Kohler Co.) 605	A-230798	9	Needle, main fuel adjusting 189,601,602,603,605,606,607,608, 609,611,617,619,620	200410
2	Carburetor assembly (Includes 5-18) (Discontinued not available at Kohler Co.) 607,608,611	F-230502	10	Spring, main fuel adjusting needle 96,99,100,102,103,104,122,123,129, 139,145,146,152,156,158,162,163, 166,170,171,172,173,177,178,181, 186,187,189,190,193,194,195,300, 301,601,602,603,605,606,607,608, 609,611,616,617,618,619	200383
2	Carburetor assembly (Includes 5-18) (Discontinued not available at Kohler Co.) 617,619	F-230350	11	Needle and seat (Available only in carburetor repair kit 25 757 01)	
3	Screw, sltd. hd. sems 1/4-20x3/4" (2) 33,93,108,139,146,166,173,178,185, 190,191,195,203,214,224,228,230, 231,274,620,700,701,702	X-140-1	12	Gasket, bowl 96,99,100,102,103,104,122,123,129, 139,145,146,152,156,158,162,163, 166,170,171,172,173,177,178,181, 186,187,189,190,193,194,195,300, 301,601,602,603,605,606,607,608, 609,611,616,617,618,619	200375*
4	Gasket, carburetor (A.R.) ALL (except 177,181,187,193,300)	210223	13	Gasket, bowl baffle 96,99,100,102,103,104,122,123,129, 139,145,146,152,156,158,162,163, 166,170,171,172,173,177,178,181, 186,187,189,190,193,194,195,300, 301,601,602,603,605,606,607,608, 609,611,616,617,618,619	25 041 02
4	Gasket, carburetor 177,181,187,193,300	41 049 01	14	Pin, float hinge 96,99,100,102,103,104,122,123,129, 139,145,146,152,156,158,162,163, 166,170,171,172,173,177,178,181, 186,187,189,190,193,194,195,300, 301,601,602,603,605,606,607,608, 609,611,616,617,618,619	200376*
5	Screw, idle speed adjusting 96,99,100,102,103,104,122,123,129, 139,145,146,152,156,158,162,163, 166,170,171,172,173,177,178,181, 186,187,189,190,193,194,195,300, 301,601,602,603,605,606,607,608, 609,611,616,617,618,619	232556	15	Float 96,99,100,102,103,104,122,123,129, 139,145,146,152,156,158,162,163, 166,170,171,172,173,177,178,181, 186,187,189,190,193,194,195,300, 301,601,602,603,605,606,607,608, 609,611,616,617,618,619	25 757 03
6	Spring, idle fuel adjusting needle 96,99,100,102,103,104,122,123,129, 139,145,146,152,156,158,162,163, 166,170,171,172,173,177,178,181, 186,189,190,195,601,602,603,605, 606,607,608,609,611,616,617,618, 619	200380	16	Bowl, fuel 96,99,100,102,103,104,122,123,129, 139,145,146,152,156,158,162,163, 166,170,171,172,173,177,178,181, 186,187,189,190,193,194,195,300, 301,601,602,603,605,606,607,608, 609,611,616,617,618,619	200418
7	Needle, idle fuel adjusting 96,99,100,102,103,104,122,123,129, 139,145,146,152,156,158,162,163, 166,170,171,172,173,177,178,181, 186,189,190,195,601,602,603,605, 606,607,608,609,611,616,617,618, 619	200438	16	Bowl, fuel (Discontinued not available at Kohler Co.) 186	236317
8	Spring, idle speed adjusting screw 96,99,100,102,103,104,122,123,129, 139,145,146,152,156,158,162,163, 166,170,171,172,173,177,178,181, 186,187,189,190,193,194,195,300, 301,601,602,603,605,606,607,608, 609,611,616,617,618,619	232555	17	Gasket, bowl retainer screw 96,99,100,102,103,104,122,123,129, 139,145,146,152,156,158,162,163, 166,170,171,172,173,177,178,181, 186,187,189,190,193,194,195,300, 301,601,602,603,605,606,607,608, 609,611,616,617,618,619	200372*
9	Needle, main fuel adjusting 96,99,100,102,103,104,122,123, 129,139,145,146,152,156,158,162, 163,166,170,171,172,173,177,178, 181,185,190,191,194,195,300,301, 616,618	232635	*Note: Included in carburetor repair kit.		

Index Number	Description Variation Number	Part Number	Index Number	Description Variation Number	Part Number
18	Screw, bowl retainer 96,99,100,102,103,104,122,123, 129,139,145,146,152,156,158,162, 163,166,170,171,172,173,177,178, 181,186,187,189,190,193,194,195, 300,301,601,602,603,605,606,607, 608,609,611,616,617,618,619	41 100 01	32	Terminal (Discontinued not available at Kohler Co.) 187	X-431-22
18	Screw, bowl retainer 186	47 100 06	33	Plug 187	236977
19	Spring, float support 189	237917	34	Socket 187	236976
20	Carburetor assembly (Includes 5-18,28-32) 187,193,194,300,301	41 053 17	36	Bracket, solenoid (Discontinued not available at Kohler Co.) 187,193,194,300,301	41 126 09
21	Spring, bowl drain 186	236319	36	"O" Ring 187,193,194,300,301	41 153 02
22	Plug, bowl drain 186	200434	37	Spring, choke shaft 187,193,194,300,301	45 089 02
23	Solenoid (Discontinued not available at Kohler Co.) 619	47 462 20	38	Clip ring (Discontinued not available at Kohler Co.) 187	X-269-41
24	Elbow, street 187,193,300,301,619	X-555-2	39	Cotter pin (Discontinued not available at Kohler Co.) 187	X-36-7
25	Screw, sltd. hex. cap 1/4-20x3/4" (2) 187,193	X-98-3	40	Spring, thermostat (Discontinued not available at Kohler Co.) 104,602,603,617,619	45 089 01
26	Washer, plain 1/2" (2) 187,193	X-25-63	41	Bracket, adjusting 104,602,603,617,619	230123
27	Choke assembly 187,193,194,300,301	41 175 11	42	Housing, thermostat (Discontinued not available at Kohler Co.) 104,602,603	230242
28	Bracket, choke mounting 187,193,194,300,301	41 126 15	43	Strap, choke ground (Discontinued not available at Kohler Co.) 156,605,618	230857
29	Plunger, solenoid 187,193,194,300,301	41 385 01	45	Gasket, choke 156,162,170,605,607,608,611,616, 618	240285
30	Kit, solenoid (Includes 30,32,37 terminal 25 452 03 & 25 452 07,lead 41 518 18) 187,193,194,300,301	25 755 05	45	Linkage, choke 156,162,163,170,605,607,608,611, 616,618	230466
31	Solenoid 187,193,194,300,301	41 435 09	46	Choke assembly 156,170,608,616	238095
			46	Choke assembly 162,605,607,611,618	230426

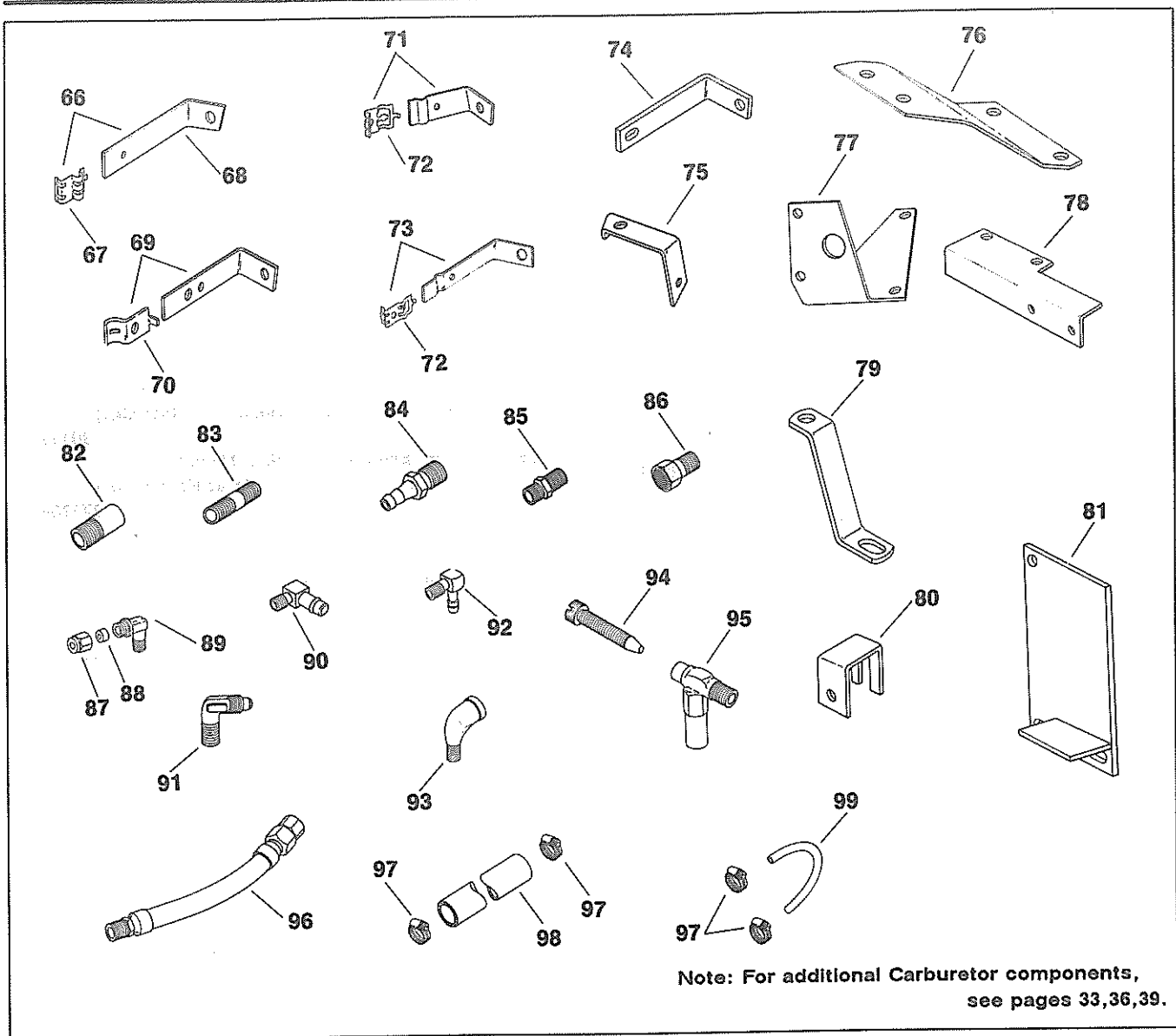
CARBURETOR
(Cont'd)

K181



Note: For additional Carburetor components, see pages 33,37,39.

Index Number	Description Variation Number	Part Number	Index Number	Description Variation Number	Part Number
47	Carburetor assembly (Includes 48-51) (Discontinued not available at Kohler Co.)		55	Carburetor assembly (Includes 57-63)	
	135	A-232691		174	46 053 04
48	Gasket, metering housing		56	Venturi (Discontinued not available at Kohler Co.)	
	135	234484		149,604,610,612,613	234212
49	Gasket, body		57	Spring, load adjustment screw	
	135	271922		149,174,604,610,612,613	234207
50	Adjustment, jet (Discontinued not available at Kohler Co.)		58	Screw, load adjustment	
	135	234482		149,174,604,610,612,613	232694
51	Spring, adjustment jet (Discontinued not available at Kohler Co.)		59	Screw, idle adjustment	
	135	272171		149,174,604,610,612,613	234206
52	Stud, carburetor (2)		60	Spring, idle adjustment screw	
	135	220743		149,174,604,610,612,613	234208
52	Stud, carburetor (2)		61	Screw, throttle plate (2)	
	145	220133		149,174,604,610,612,613	234209
53	Adapter, flange		62	Screw, idle stop	
	135,145	220783		149,174,604,610,612,613	234210
54	Plug, slotted hd. 1/8"		63	Spring, idle stop screw	
	135,145	X-75-17		149,174,604,610,612,613	234208
55	Carburetor assembly (Includes 56-63)		64	Regulator, fuel - two stage (Discontinued not available at Kohler Co.)	
	149,604,610,612,613	A-230694		135	A-232692
			65	Regulator, fuel - secondary	
				133,604,610,612,613,618	B-230695



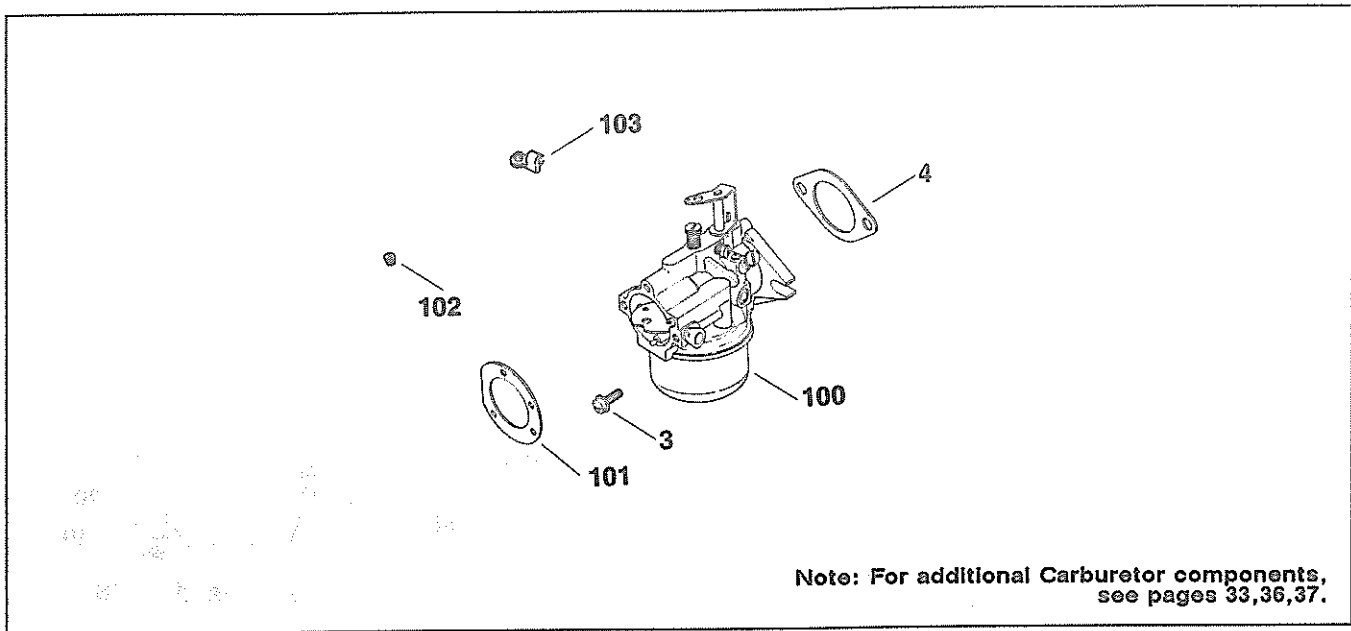
Note: For additional Carburetor components, see pages 33,36,39.

Index Number	Description Variation Number	Part Number	Index Number	Description Variation Number	Part Number
66	Bracket, choke assembly (Discontinued not available at Kohler Co.) 152	A-234684	73	Bracket, choke assembly 129,139,158,166,171,172,173,195, 228	A-236918
67	Clip, cable 152	X-689-1	74	Bracket, choke 96,99,100,122	231232
68	Bracket, choke (Discontinued not available at Kohler Co.) 145	234246	75	Bracket, choke (Discontinued not available at Kohler Co.) 126	231286
69	Bracket, choke - assembly 146	A-236921	76	Bracket, regulator (Discontinued not available at Kohler Co.) 133,604	230730
70	Clip, cable 146	235778	77	Bracket, regulator (Discontinued not available at Kohler Co.) 610	230728
71	Bracket, choke assembly (Discontinued not available at Kohler Co.) 177,181,190	41 217 01	78	Bracket, regulator (Discontinued not available at Kohler Co.) 135	232760
72	Clip, cable 129,139,158,166,171,172,173,177, 181,190,195	235603			

CARBURETOR
(Cont'd)

K181

Index Number	Description Variation Number	Part Number	Index Number	Description Variation Number	Part Number
79	Brace, regulator (Discontinued not available at Kohler Co.) 133,604	230731	93	Elbow, hose 45 (Discontinued not available at Kohler Co.) 133	X-274-9
80	Brace, regulator (Discontinued not available at Kohler Co.) 610	230726	94	Valve, needle (Discontinued not available at Kohler Co.) 133	150305
81	Bracket, regulator 612,613	231471	95	Body, valve (Discontinued not available at Kohler Co.) 133	220482
82	Nipple 3/8x1" (Discontinued not available at Kohler Co.) 133	X-227-1	96	Hose, braided metallic 1/4x9" 135	247055
83	Nipple 1/8x3/4" 123	X-217-6	96	Hose, braided metallic 3/8x9-7/16" (Discontinued not available at Kohler Co.) 612	230153
84	Connector, hose (Discontinued not available at Kohler Co.) 99	X-495-1	96	Hose, braided metallic 3/8x9" (Discontinued not available at Kohler Co.) 613	275365
84	Connector, hose 100,108,152,162,166,185,191,195, 203,224,231,606,700,701	X-380-1	97	Clamp, hose 1/2" (2) 133,604,610,618	X-426-3
85	Connector 96,98,103,126,129,133,156,158, 163	231509	97	Clamp, hose 5/16" (2) 173,178,185,191,195,214,228,601, 607,608,609,611,614,,615,616,617, 618,619	X-426-9
86	Filter, drain (2) 133,604,610,612,613,618	151377	98	Hose, 5/8x4" (Discontinued not available at Kohler Co.) 133	X-432-2
87	Nut 123,126,133	220786	98	Hose, 1/4x6-1/4" 173,178,185,191,195,214,228	25 353 04
88	Sleeve 123,126,133	220547	98	Hose, 1/2x13" (Discontinued not available at Kohler Co.) 604	X-386-2
89	Elbow, hose 90° 123	231510	98	Hose, 1/2x5" (Discontinued not available at Kohler Co.) 610	X-422-5
90	Elbow, hose 90° 177	X-391-12	98	Hose, 1/4x3" 617	25 353 02
91	Elbow, hose 90° 135	X-447-6	98	Hose, 5/8x11-1/4" (Discontinued not available at Kohler Co.) 618	X-423-15
91	Elbow, hose 90° 187,193,619,620	X-447-10	99	Line, fuel 601,602,603,605,607,608,609,611, 614,615,616,618	25 353 06
91	Elbow, hose 90° (2) 194,300,301	X-447-10			
92	Elbow, hose 90° 33,93,102,104,122,139,145,146,173, 178,181,187,190,192,197,214,228, 230,300,301,601,602,603,605,607, 608,609,611,614,615,616,617,618, 702,703	25 155 02			



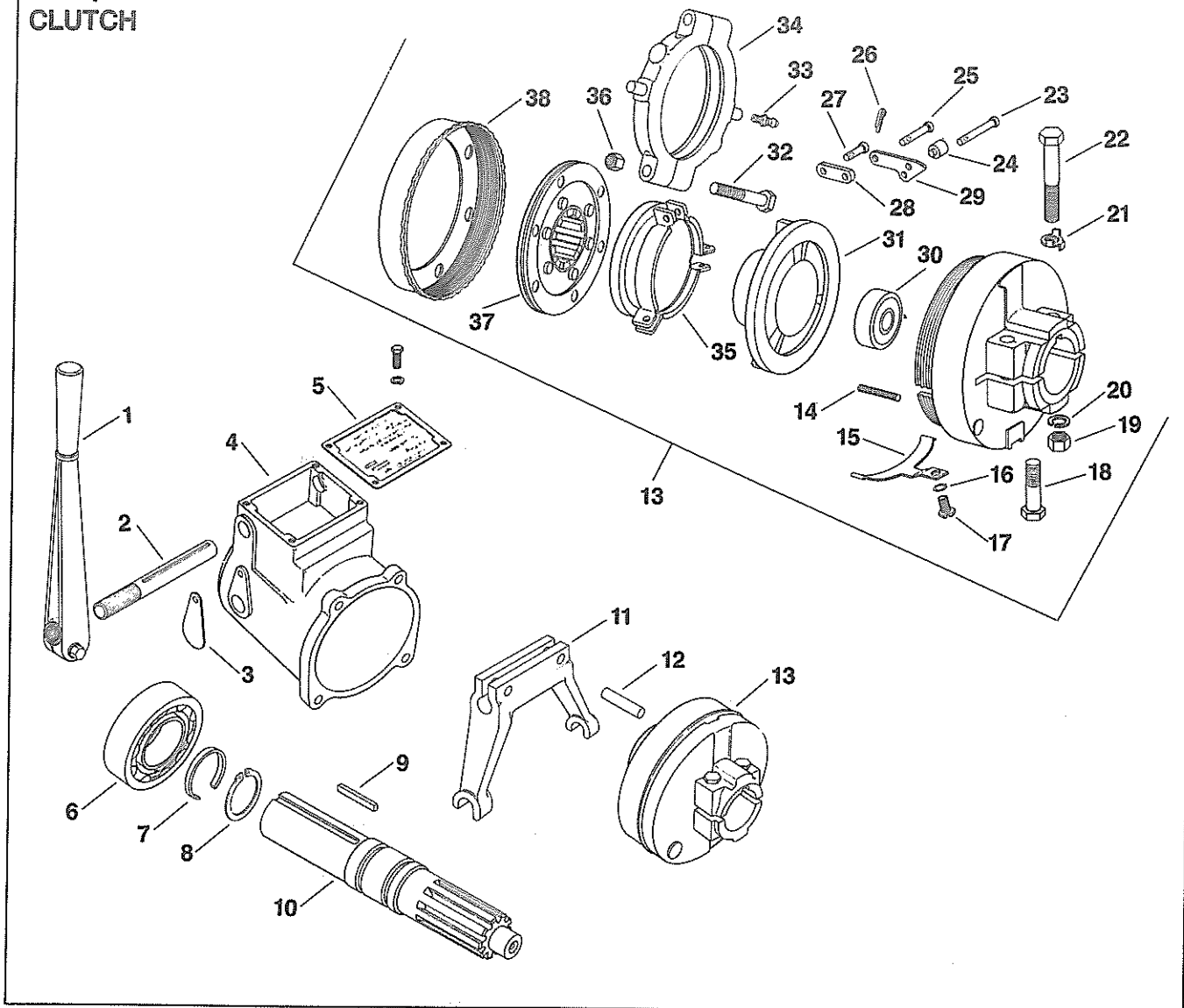
Note: For additional Carburetor components, see pages 33,36,37.

Index Number	Description Variation Number	Part Number	Index Number	Description Variation Number	Part Number
Refer to Section 3 of Carburetor Reference Manual TP-2377-C, located in the Miscellaneous Special Service Parts Information Section of your Master Manual, for break down of the following carburetor assemblies:			100	Kit, adjustable jet carburetor (Includes 4,102,103, Carburetor assembly 41 053 34*) 230,231	41 853 06
100	Carburetor assembly 93,97,98,108,126,133,614,615,620, 700,701,702,703 Before serial no. 1808300012 use: Adjustable jet assembly After serial no. 1808300002 use: Kit, fixed jet carburetor (Includes 4,102,103 Carburetor assembly 41 053 21*)	C-231738 41 853 01	101	Gasket, air cleaner 33,93,97,98,108,126,133,192,214, 228,230,231,604,614,615,620,700, 701,702,703	41 041 11
	- or use -		102	Bushing, linkage 33,93,97,98,108,126,133,192,214, 228,230,231,604,614,615,620,700, 701,702,703	25 158 08
	Kit, adjustable jet carburetor (Includes 4,106,107 Carburetor assembly 41 053 34*)	41 853 06	103	Bushing, linkage 93,97,98,108,126,133,614,615,620, 700,701,702,703	25 158 09
100	Carburetor assembly 214,228 Before serial no. 1813100012 use: Adjustable jet assembly After serial no. 1813100002 use: Kit, fixed jet carburetor (Includes 4,102,103,Carburetor assembly 41 053 23*)	 41 053 01 41 853 03	NOT ILLUSTRATED		
	- or use -			Terminal 187,193,194,300,301	25 452 03
	Kit, adjustable jet carburetor (Includes 4,106,107,Carburetor assembly 41 053 30*)	41 853 09		Terminal 187,193,194,300,301	25 452 07
100	Carburetor assembly 33 Before serial no. 1915100012 use: Adjustable jet assembly After serial no. 1915100002 use: Kit, adjustable jet carburetor (Includes 4,106,107, Carburetor assembly 41 053 32*)	 41 053 13 41 853 11		Lead, black (5"-18 gauge) 187,193,194,300,301	41 518 18
				Kit, carburetor repair (Includes 12,14,17, needle & seat) 33,93,96,97,98,99,100,102,103,104, 108,122,123,126,129,133,139,145, 146,152,156,158,162,163,166,170, 171,172,173,177,178,181,186,187, 189,190,192,193,194,195,214,228, 230,231,300,301,601,602,603,605, 606,607,608,609,611,614,615,616, 617,618,619,620,700,701,702,703	25 757 01

*Note: Carburetors are for information only, not available separately.

K181

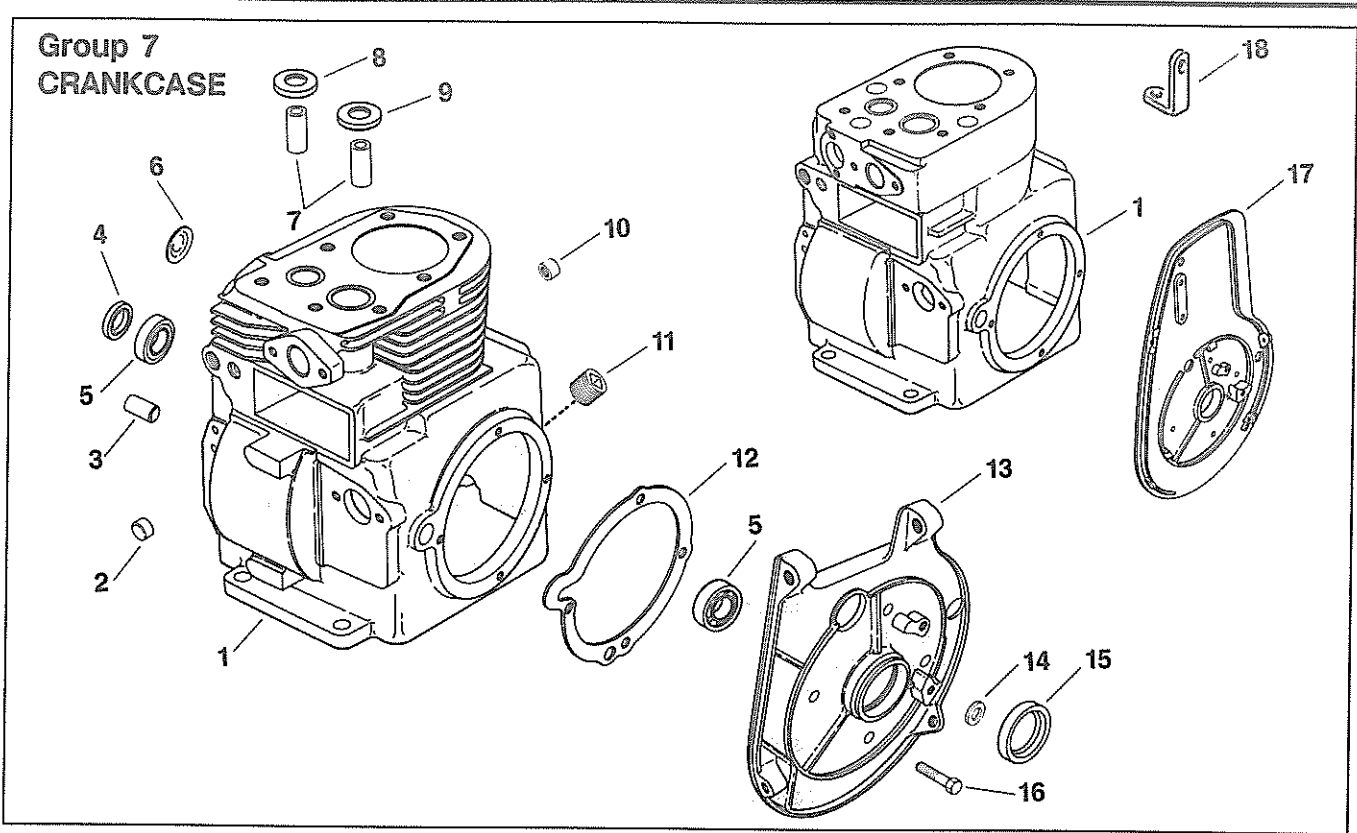
Group 6 CLUTCH



Index Number	Description	Part Number	Index Number	Description	Part Number
1	Lever, shifting		8	Ring, retaining	
2	2	A-234026		(Discontinued not available at Kohler Co.)	
2	Shaft, yoke		2		X-269-18
2	2	274117	9	Key, square 1/4x1"	
3	Cover, grease		2		X-286-2
	(Discontinued not available at Kohler Co.)		10	Shaft, power	
2	2	234024		(Discontinued not available at Kohler Co.)	
4	Housing, clutch		2		275406
	(Discontinued not available at Kohler Co.)		11	Yoke, clutch	
2	2	234022	2		A-234027
5	Nameplate, housing		12	Pin, roll (2)	
	(Discontinued not available at Kohler Co.)			(Discontinued not available at Kohler Co.)	
2	2	234023	2		X-280-9
6	Bearing, ball		13	Clutch assembly	
2	2	234030		(Includes 14-38)	
7	Ring, retaining			(Discontinued not available at Kohler Co.)	
2	2	230305	2		A-275412

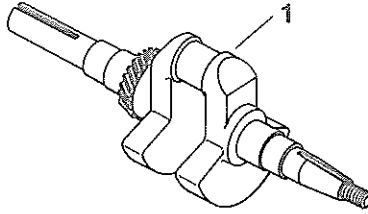
Index Number	Description Variation Number	Part Number	Index Number	Description Variation Number	Part Number
14	Spring, return (3) 2	234055	29	Lever, pressure plate (6) (Discontinued not available at Kohler Co.) 2	234063
15	Lock, adjusting (Discontinued not available at Kohler Co.) 2	234060	30	Bearing, pilot (Discontinued not available at Kohler Co.) 2	212135
16	Washer, split I.T. 1/4" 2	X-22-11	31	Plate, pressure (Discontinued not available at Kohler Co.) 2	234096
17	Screw, fillister hd. 1/4-20x3/8" 2	X-52-22	32	Screw, hex. hd. 5/16-24x1-3/4" (2) (Discontinued not available at Kohler Co.) 2	X-6-39
18	Screw, hex. hd. 5/16-18x1/2" (Discontinued not available at Kohler Co.) 2	234114	33	Fitting, alomite (Discontinued not available at Kohler Co.) 2	234067
19	Nut, elastic stop 3/8" (2) 2	X-101-5	34	Bearing, release (Discontinued not available at Kohler Co.) 2	A-234066
20	Washer, split 5/16" 2	X-21-1	35	Sleeve, release (Discontinued not available at Kohler Co.) 2	234065
21	Lock, screw (2) 2	234057	36	Nut, elastic stop 5/16" (2) (Discontinued not available at Kohler Co.) 2	X-101-4
22	Screw, hex. hd. 3/8-24x2-1/2" (2) (Discontinued not available at Kohler Co.) 1	X-7-29	37	Member, driven (Discontinued not available at Kohler Co.) 2	A-234061
23	Pin, lever (3) 2	234047	38	Ring, adjusting (Discontinued not available at Kohler Co.) 2	234068
24	Roller (3) 2	234048			
25	Pin, link - long (3) 2	234051			
26	Cotter pin 1/16x3/8" (9) (Discontinued not available at Kohler Co.) 2	X-36-4			
27	Pin, link - short (3) 2	234052			
28	Link, connecting (6) 2	234050			

K181

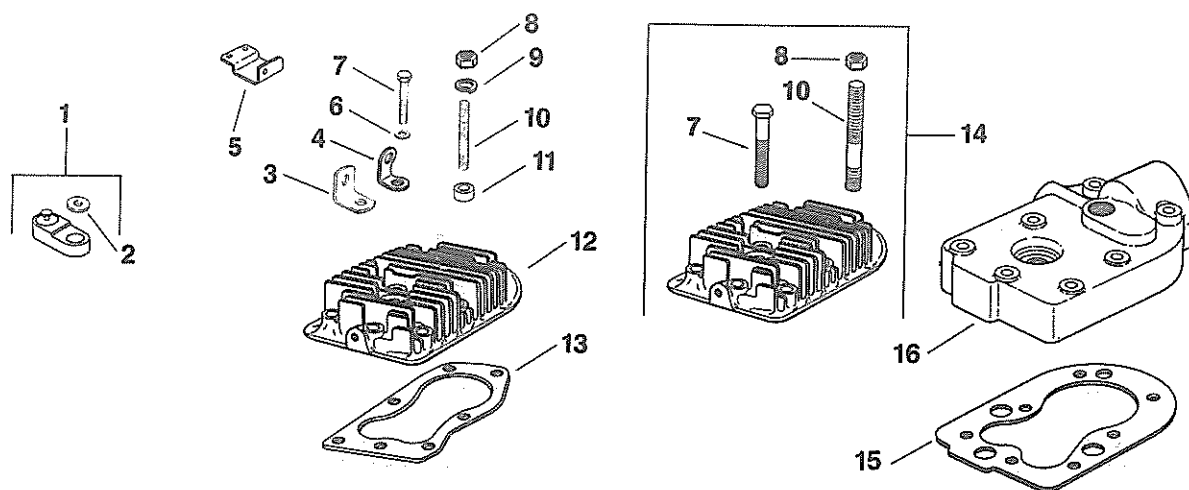


Index Number	Description Variation Number	Part Number	Index Number	Description Variation Number	Part Number
1	Cylinder Block (Service with a SHORT BLOCK or MINIBLOCK. Refer to K181 Selection Guide TP-2046-D.)		13	Plate, bearing 87,99,104,105,108,118,123,152,156, 165,167,168,170,187,191,213	231737
2	Plug, cup 234	X-702-1	13	Plate, bearing 114,135,164,182,185	231654
3	Shaft, governor ALL	230125-S	13	Plate, bearing 233	41 156 03
4	Seal, rear oil ALL	X-583-2	13	Plate, bearing (Discontinued not available at Kohler Co.) 101,111,129	A-231999
5	Bearing, ball (2) ALL	231625	13	Plate, bearing 147,150,151,180,181,197,204,211, 216,219,222,224,228,229,234,239, 241,262,998	41 156 02
6	Plug, expansion ALL	X-230-11	13	Plate, bearing 215,218,221,223,261	41 156 03
7	Guide, valve (2) ALL	230007-S	14	Washer, plain 1/2" (2) 99,234	243321
8	Insert, exhaust seat ALL	230170	14	Washer, plain (2) 167,168,170	41 468 01
9	Insert, intake seat 123,187,228,229,233,234,239,261, 262,998	230265	15	Seal, front oil ALL	X-583-1
10	Bearing ALL	234866	16	Screw, sems hex. cap 1/4-20x3/4" (4) 211,215,216,218,219,221,222,223, 224,229,233,234,239,261,262	X-176-1
11	Plug, pipe 219,221,228,229,233,241,998	X-75-3	17	Plate, bearing (Discontinued not available at Kohler Co.) 232	231152
11	Plug, pipe (2) 239	X-75-3	18	Brace, bearing plate (Discontinued not available at Kohler Co.) 232	230824
12	Gasket, bearing plate ship (A.R.) 108,114,151,185,191,216	230112			
12	Gasket, bearing plate shim ALL (except 108,114,151,185,191, 216)	230071			

**Group 8
CRANKSHAFT**



Index Number	Description Variation Number	Part Number	Index Number	Description Variation Number	Part Number
1	Crankshaft (1" dia. x 1-17/32") 72	231808	1	Crankshaft (3/4" dia. x 3-3/16" - tapped) 106	234817
1	Crankshaft (1" dia x 3-1/4" - tapped) 60,73,98	231767	1	Crankshaft (1" dia x 2-19/32" - threaded) 107	232916
1	Crankshaft (1" dia x 2-5/32" - threaded) (Discontinued not available at Kohler Co.) 75	231764	1	Crankshaft (3/4" dia x 3-1/2") 122	41 014 02
1	Crankshaft (1" dia. x 1-27/64") 78	231805	1	Crankshaft (1" dia x 3-29/32" - tapped) 121,124	41 014 04
1	Crankshaft (1-3/32 x 1-15/16" - Gear Reduction) 79	231806	1	Crankshaft (1" dia. x 2-1/2") 125	41 014 05
1	Crankshaft (1" dia. x 3-15/32" - Pump) 80	231807	1	Crankshaft (Generator Set) (31/32" dia x 3-15/22") 126	41 014 06
1	Crankshaft (Generator Set) (1" dia. x 1-9/32" - tapered) 91	232585			

**Group 9
CYLINDER HEAD**


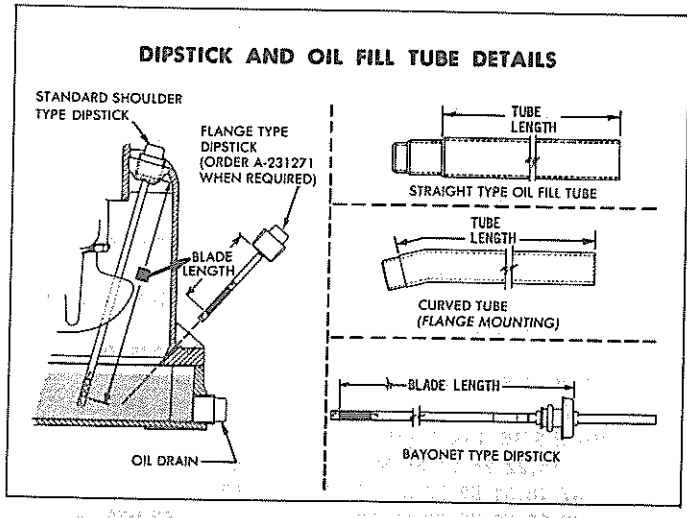
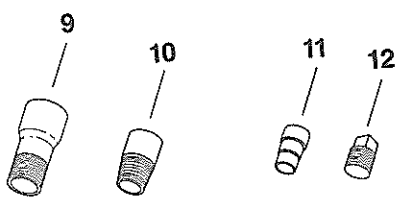
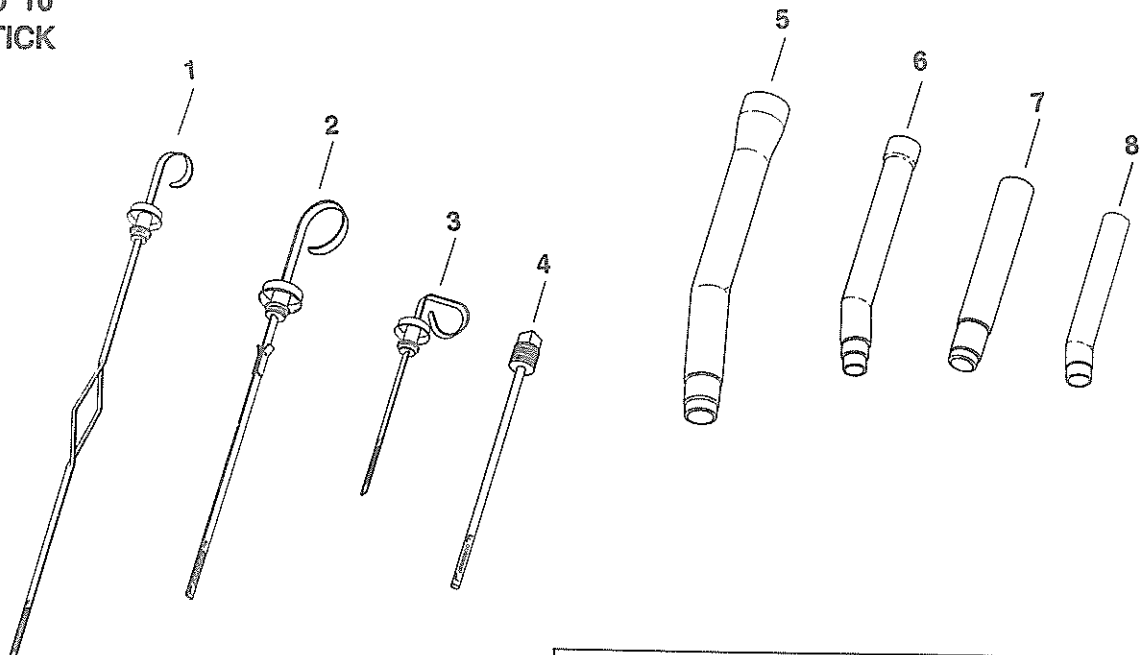
Index Number	Description Variation Number	Part Number	Index Number	Description Variation Number	Part Number
1	Klt, hi-temp. cutout switch (Includes 2) 65,75	47 703 01	7	Screw, hex. hd. 5/16-18x1-1/2" (4) 5,28,41,46,54,59,80	41 086 02
2	Washer, hi-temp. cutout switch 65,75	47 468 07	7	Screw, hex. hd. 5/16-18x1-1/2" (5) 1,31,48,55,61,65,75,78,79	41 086 02
3	Strap, lifting 69	47 445 02	7	Screw, hex. hd. 5/16-18x1-1/2" (6) 15,22,42,45,66,68,69,70	41 086 02
4	Strap, lifting 1,5,10,15,42,45,47,51,52,54,55,57, 59,61,62,63,65,66,70,73,78,79,80	232867	7	Screw, hex. hd. 5/16-18x1-1/2" (7) 34,76	41 086 02
5	Strap, lifting 68,75	47 126 08	7	Screw, hex. hd. 5/16-18x1-5/8" 1,5,15,42,45,51,52,54,55,59,60,61, 65,70,78,80	230992
6	Washer, plain 5/16" (7) 1,15,34,42,45,46,47,52,54,55,57,59, 61,62,63,65,66,69,70,76,78,79,80	220534	7	Screw, hex. hd. 5/16-18x1-5/8" (2) 57	230992
6	Washer, plain 5/16" (9) 5,31,48,51	220534	7	Screw, hex. hd. 5/16-18x1-5/8" (3) 73	230992
6	Washer, plain 5/16" (6) 10	220534	7	Screw, hex. hd. 5/16-18x2-1/4" (2) (Discontinued not available at Kohler Co.) 10	230578
6	Washer, plain 5/16" (8) 22,68,75	220534	7	Screw, hex. mach. hd. 5/16-18x2" (2) 10	25 086 07
6	Washer, plain 5/16" (10) 28,41,73	220534	7	Screw, hex. mach. hd. 5/16-18x2" 65,75,78	25 086 07
6	Washer, plain 5/16" (11) 39	220534	7	Screw, hex. hd. 5/16-18x1-3/4" (Discontinued not available at Kohler Co.) 55,73	230406
6	Washer, plain 5/8" (2) 75	X-25-53	7	Screw, hex. cap 1/4-20x5/8" (2) 1,15,22,28,31,34,39,41,42,45,46, 47,48,51,52,54,55,57,59,61,62,63, 66,68,69,70,75,76,79,80	X-132-5
7	Screw, hex. hd. 5/16-18x1-1/2" (6) 63	41 086 02	7	Screw, hex. cap 1/4-20x5/8" 1,15,22,28,31,34,39,41,42,45,46, 47,48,51,52,54,55,57,59,61,62,63, 66,68,69,70,76,79,80	X-132-5
7	Screw, hex. hd. 5-16-18x1-1/2" (2) 67,62	41 086 02			
7	Screw, hex. hd. 5/16-18x1-1/2" (3) 39,47,51,52	41 086 02			

K181

Index Number	Description Variation Number	Part Number	Index Number	Description Variation Number	Part Number
8	Nut, hex. 5/16"-18 (2) 59,75	X-82-2	11	Spacer (3) 51,52,57,62	234847
8	Nut, hex. 5/16"-18 (3) 52	X-82-2	11	Spacer 61,66,68,69,75	234847
8	Nut, hex. 5/16"-18 (4) 80	X-82-2	11	Spacer (6) 63	234847
9	Washer, lock 11/16" 75	X-21-1	12	Head, cylinder 65,78	41 015 06
10	Stud, 2-5/8" (2) 5,59	X-352-35	12	Head, cylinder 73	41 015 01
10	Stud, 2-1/2" 22,69	220304	12	Head, cylinder 75	41 015 06
10	Stud, 2-1/2" (3) 28,41	220304	13	Gasket, head 1,5,15,22,28,31,34,39,41,42,45,46, 47,48,51,52,54,55,57,59,61,62,63, 65,66,68,69,70,73,75,76,78,79,80	41 041 10
10	Stud, 2-5/8" (3) 52,57,73	X-352-35	14	Klt, cylinder head* (Includes 7 [X-132-5], 8 [X-82-2], 10 [52 072 15]) 1,5,15,22,28,31,34,39,41,42,45, 46,47,48,51,52,54,55,57,59,61, 62,63,66,68,69,70,76,79,80	41 755 25
10	Stud, 2-5/8" 66	X-352-35	15	Gasket, head - brass 10	230452
10	Stud, 3" (4) 39,51	232810	16	Head, cylinder (Discontinued not available at Kohler Co.) 10	230451
10	Stud, 2-7/16" (3) (Discontinued not available at Kohler Co.) 46	231907	16	Head, cylinder (Uses 230563 bellows type thermostat) (Discontinued not available at Kohler Co.) 10	230451
10	Stud, 2-7/16" (2) (Discontinued not available at Kohler Co.) 48	231907	16	Head, cylinder (Uses 41 453 01 wax type thermostat) 10	41 015 05
10	Stud, 3" (2) 31,54,79,80	232810			
10	Stud, 3" 61,68,75	232810			
10	Stud, 2-5/8" (5) 62	X-352-35			
10	Stud, 3" (6) 63	232810			
10	Stud, 2-5/8" (4) 47	X-352-35			
10	Stud 5/16-18x2" (2) 1,15,22,28,31,34,39,41,42,45,46, 47,48,51,52,54,55,57,59,61,62,63, 66,68,69,70,76,79,80	52 072 15			
11	Spacer (2) 47,54,59,79,80	234847			

*Note: Cylinder heads with manual compression release cylinder heads are NOT available at Kohler Co. If compression release is desired, order camshaft klt A-230155-S)

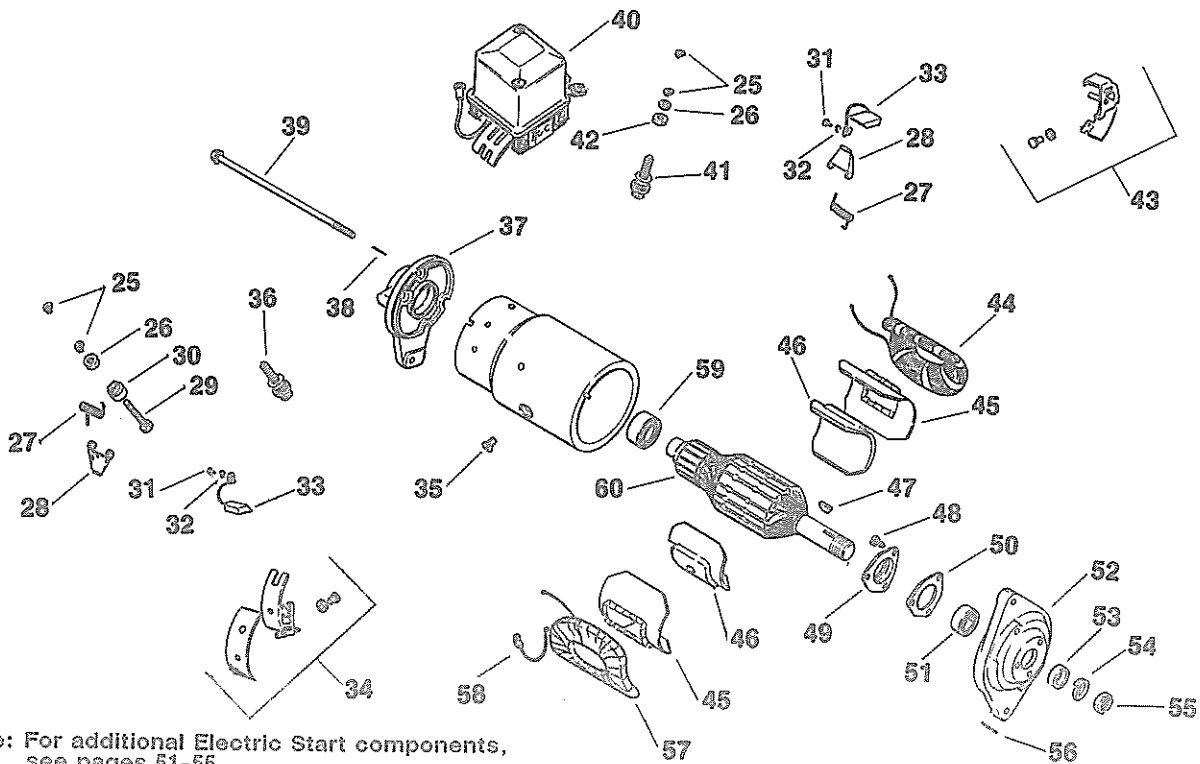
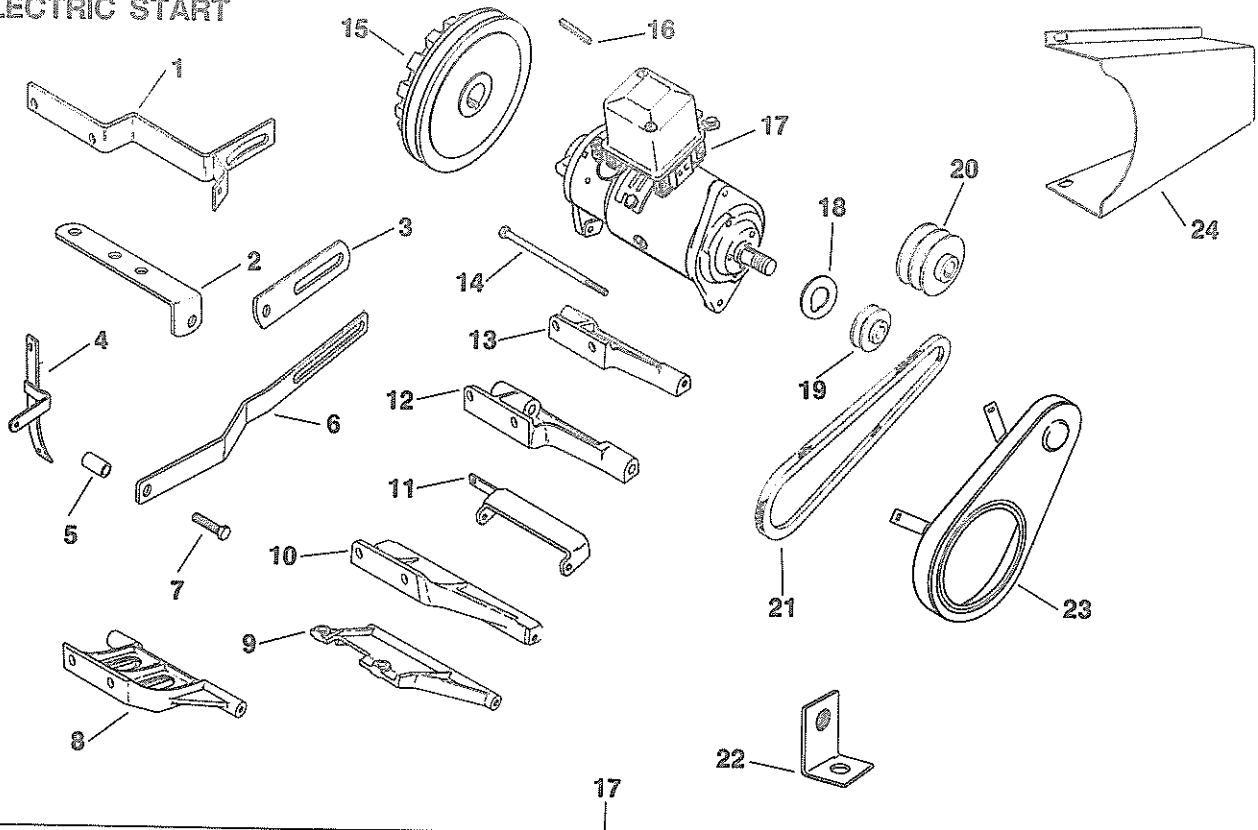
**Group 10
DIPSTICK**



Index Number	Description Variation Number	Part Number	Index Number	Description Variation Number	Part Number
1	Dipstick 12" blade 4,28	A-231496	3	Dipstick 3" blade 26	237552
1	Dipstick 11-5/8" blade 8,18,24	A-231725	3	Dipstick 3-3/8" blade 27	238039
1	Dipstick 14-7/16" blade (Discontinued not available at Kohler Co.) 13	232708	3	Dipstick 3" blade 33	41 272 02
1	Dipstick 16-31/32" blade 17	A-232805	3	Dipstick 14-13/22" blade 34	41 038 02
1	Dipstick 17-9/32" blade 22,29,32,801	234394	4	Dipstick 6-9/16" blade 1	230092
2	Dipstick 8-11/32" blade 2,800	A-231495	4	Dipstick 2-9/64" blade 5	A-231271
2	Dipstick 7-5/16" blade 12	232657	5	Tube, oil fill 11-13/16" (Discontinued not available at Kohler Co.) 29	41 123 02
2	Dipstick 7-5/8" blade 16	A-232857	5	Tube, oil fill 10-13/16" 22,32,801	234395

Index Number	Description Variation Number	Part Number	Index Number	Description Variation Number	Part Number
6	Tube, oil fill 4-1/2" 24	41 123 01	9	Tube, oil fill 10-9/16" 17	41 123 12
7	Tube, oil fill 4-9/16" 8,18	231726	9	Tube, oil fill 2-19/32" 26,27	47 123 08
8	Tube, oil fill 7-3/4" (Discontinued not available at Kohler Co.) 13	232707	10	Tube, oil fill 5-9/16" 4,16,28	41 123 11
8	Tube, oil fill 5-3/16" (Discontinued not available at Kohler Co.) 14	232792	11	Tube, oil fill 9/16" 12	232656
8	Tube, oil fill 7-9/32" 34	41 123 03	12	Plug, pipe 1/2" (Discontinued not available at Kohler Co.) 7,800	X-75-5
9	Tube, oil fill 1-7/8" 2,33,800	46 123 01	12	Plug, pipe 1/2" 33	X-75-3

Group 11
ELECTRIC START



Note: For additional Electric Start components, see pages 51-55.

Index Number	Description Variation Number	Part Number	Index Number	Description Variation Number	Part Number
1	Bracket, starter - upper 86,92,95,105,205	231861	17	Starter, generator assembly (Includes 25-35,37-53,55-60) (Discontinued not available at Kohler Co.)	
2	Bracket, starter - upper 74,96,101,109,202,204	230915		86,96,104,109	B-275703
2	Bracket, starter - upper 85,94,103,104,120,201,203	231829	17	Starter, generator assembly (Includes 25-35,37-39,41-53,55-60) (Replaced by 41 755 11)	
3	Bracket, starter adjusting 85,94,103,104,109,120,201,203	231828		95	B-232502
3	Bracket, starter adjusting (Discontinued not available at Kohler Co.)	230914	17	Starter, generator assembly (Includes 25-35,37-39,41-53,55-60) (Discontinued not available at Kohler Co.)	
3	101	231442		89,92,94,101,103,105,110,120,201, 202,203,204,205	B-275847
4	Support, belt adjusting (Discontinued not available at Kohler Co.)	231607	18	Shim .010 (A.R.) 89,92,95,96,101,103,104,105,120, 201,202,203,204,205	236397
5	Spacer, 3/4" (Discontinued not available at Kohler Co.)	X-400-29	18	Shim .020 (A.R.) (Discontinued not available at Kohler Co.)	231150
5	Spacer, 29/32" 131	X-400-85	18	Shim .005 (A.R.) (Discontinued not available at Kohler Co.)	231149
6	Bracket, starter adjusting 124,131	231273	19	Pulley, drive 85,96,89,92,94,95,96,101,103,105, 109,110,120,201,202,203,204,205	231278
7	Screw, hex. hd. 5/16-18x1-3/4" (Discontinued not available at Kohler Co.)	230406	20	Pulley, drive (Discontinued not available at Kohler Co.)	231143
7	89	25 086 07		104	231143
7	Screw, hex. hd. 3/8-16x1" (2) 105	270677	21	Belt 86,92,94,95,96,103,105,110,120, 201,202,203,204,205	231605
7	Screw, hex. hd. 5/16-18x1-1/4" 120	220257	21	Belt 89,101	231446
7	Screw, hex. hd. 3/8-16x1-3/4" 131	270721	21	Belt (Discontinued not available at Kohler Co.)	270415
8	Bracket, starter - lower (Discontinued not available at Kohler Co.)	231341	22	Bracket, belt guard (Discontinued not available at Kohler Co.)	232731
8	124	238017		95,205	232731
9	Bracket, starter - lower (Discontinued not available at Kohler Co.)	232500	23	Guard, belt (Discontinued not available at Kohler Co.)	231962
10	86,92,95,105,205			94,120	231962
10	Bracket, starter - lower (Discontinued not available at Kohler Co.)	234306	23	Guard, belt (Discontinued not available at Kohler Co.)	232673
11	85,94,103,104,120,201,203			95	232673
11	Bracket, starter - lower (Discontinued not available at Kohler Co.)	232566	23	Guard, belt (Discontinued not available at Kohler Co.)	231835
12	89			96,204	231835
12	Bracket, starter - lower (Discontinued not available at Kohler Co.)	231385-S	23	Guard, belt (Discontinued not available at Kohler Co.)	232706
13	109,110			110	232706
13	Bracket, starter - lower (Discontinued not available at Kohler Co.)	234300	23	Guard, belt (Discontinued not available at Kohler Co.)	231858
14	96,101,202,204			205	231858
14	Bolt, thru 109,110	X-130-3	24	Guard, belt (Discontinued not available at Kohler Co.)	231440
15	Pulley, rear driven 124,131	231591		85	231440
16	Key, square 124,131	242168	25	Washer, split - terminal stud (4) 86,89,92,94,95,96,101,103,104,105, 109,110,120,201,202,203,204,205	272320

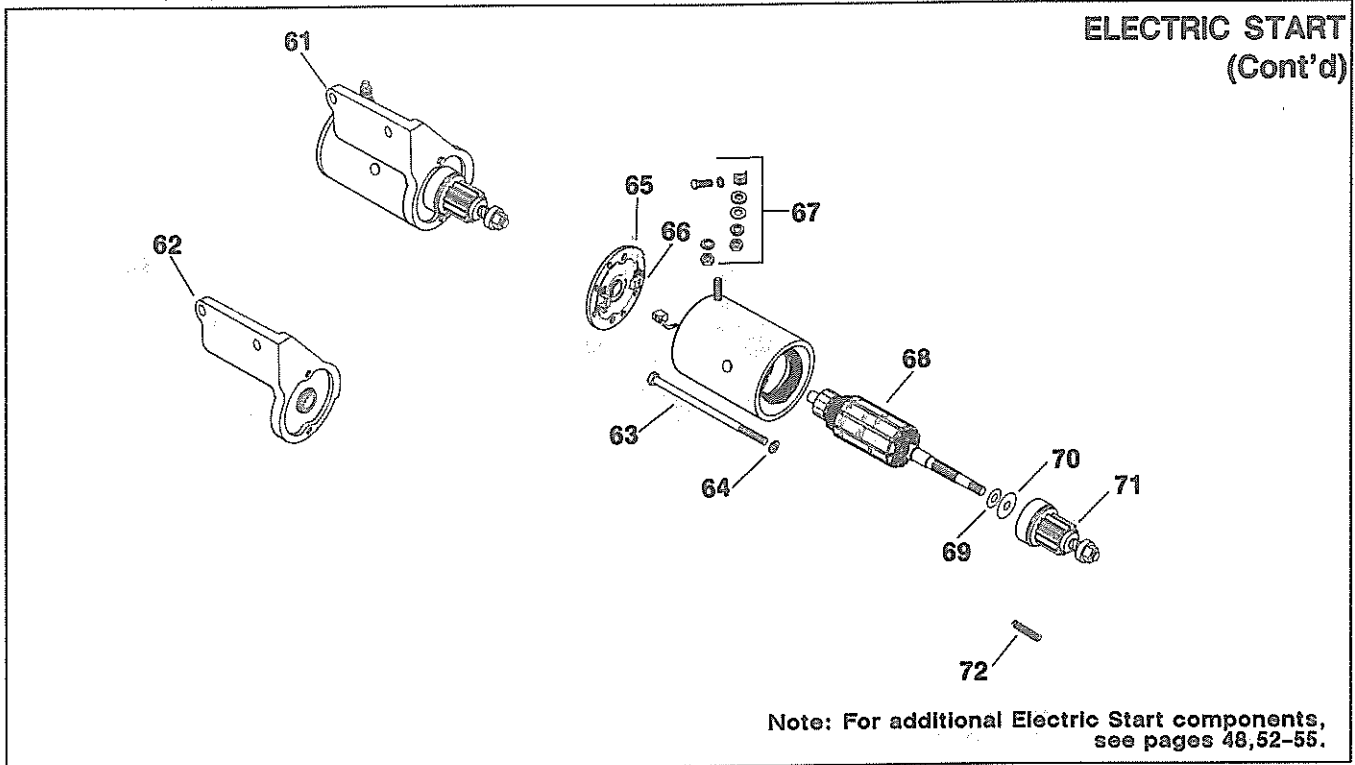
**ELECTRIC START
(Cont'd)**

K181

Index Number	Description Variation Number	Part Number	Index Number	Description Variation Number	Part Number
26	Washer, flat - terminal (2) 86,89,92,94,96,101,103,104,105, 109,110,120,201,202,203,204,205	X-25-63	42	Washer, insulated - terminal 86,89,92,94,95,96,101,103,104,105, 109,110,120,201,202,203,204,205	275985
27	Spring, brush (2) 86,89,92,94,95,96,101,103,104,105, 109,110,120,201,202,203,204,205	285652	43	Holder, ground brush 86,89,92,94,95,96,101,103,104,105, 109,110,120,201,202,203,204,205	231306
28	Arm, brush (2) 86,89,92,94,95,96,101,103,104,105, 109,110,120,201,202,203,204,205	272325	44	Coll, field R.H. (Discontinued not available at Kohler Co.) 86,89,92,94,95,96,101,103,104,105, 109,110,120,201,202,203,204,205	275739
29	Stud, terminal "A" (Discontinued not available at Kohler Co.) 86,89,92,94,96,101,103,104,105, 109,110,120,201,202,203,204,205	275972	45	Insulator, field coil 86,89,92,94,96,101,103,104,105, 109,110,120,201,202,203,204,205	231794
30	Bushing, insulated terminal "A" 86,89,92,94,95,96,101,103,104,105, 109,110,120,201,202,203,204,205	232861	45	Insulator, field coil (2) 95	231794
31	Screw, brush lead (2) 85,95,96,104,109	X-49-1	46	Shoe, pole - plain (2) 86,89,92,94,95,96,101,103,104,105, 109,110,120,201,202,203,204,205	275969
31	Screw, brush lead (2) (Discontinued not available at Kohler Co.) 86,96,104,109	X-49-25	47	Key, woodruff 86,89,92,94,95,96,101,103,104,105, 109,110,120,201,202,203,204,205	X-43-3
31	Screw, brush lead (Discontinued not available at Kohler Co.) 89,92,94,101,103,105,110,120,201, 202,203,204,205	X-49-25	48	Screw, bearing retainer (3) 86,89,92,94,95,96,101,103,104,105, 109,110,120,201,202,203,204,205	275981
31	Screw, brush lead 89,92,94,101,103,105,110,120,201, 202,203,204,205	X-49-1	49	Plate, retainer D.E. (Discontinued not available at Kohler Co.) 86,89,92,94,95,96,101,103,104,105, 109,110,120,201,202,203,204,205	275976
32	Washer, split - brush lead (2) 86,89,92,94,95,96,101,103,104,105, 109,110,120,201,202,203,204,205	X-18-1	50	Gasket, bearing retainer 86,89,92,94,95,96,101,103,104,105, 109,110,120,201,202,203,204,205	231312
33	Brush (2) 86,89,92,94,95,96,101,103,104,105, 109,110,120,201,202,203,204,205	275741	51	Bearing, D.E. 86,89,92,94,95,96,101,103,104,105, 109,110,120,201,202,203,204,205	270311
34	Holder, insulated brush 86,89,92,94,95,96,101,103,104,105, 109,110,120,201,202,203,204,205	231307	52	Frame, D.E. 86,89,92,94,96,101,103,104,105, 109,110,120,201,202,203,204,205	275924
35	Screw, pole shoe (2) 86,89,92,94,95,96,101,103,104,105, 109,110,120,201,202,203,204,205	275984	53	Collar, space D.E. (Discontinued not available at Kohler Co.) 86,89,92,94,96,101,103,104,105, 109,110,120,201,202,203,204,205	275971
36	Stud, terminal "A" (Discontinued not available at Kohler Co.) 95	232862	54	Washer, split - shaft D.E. 95	X-26-10
37	Frame, C.E. 86,89,92,94,95,96,101,103,104,105, 109,110,120,201,202,203,204,205	230812	55	Nut, shaft D.E. 86,89,92,94,95,96,101,103,104,105, 109,110,120,201,202,203,204,205	271267
38	Pin, dowel C.E. 86,89,92,94,95,96,101,103,104,105, 109,110,120,201,202,203,204,205	275993	56	Pin, dowel D.E. 86,89,92,94,95,96,101,103,104,105, 109,110,120,201,202,203,204,205	275994
39	Bolt, thru (2) (Discontinued not available at Kohler Co.) 86,89,92,94,95,96,101,103,104,105, 109,110,120,201,202,203,204,205	231314	57	Coll, field L.H. 86,89,92,94,95,96,101,103,104,105, 109,110,120,201,202,203,204,205	275740
40	Regulator 86,95,96,104,109	275746	58	Clip, terminal to brush 86,89,92,94,96,101,103,104,105, 109,110,120,201,202,203,204,205	275987
40	Regulator (Discontinued not available at Kohler Co.) 92,101,105,201,202,203,204,205	270952	58	Clip, terminal to brush 95	275603
41	Stud, terminal "F" (Discontinued not available at Kohler Co.) 86,89,92,94,96,101,103,104,105, 109,110,120,201,202,203,204,205	232862	59	Bearing, ball C.E. 86,89,92,94,95,96,101,103,104,105, 109,110,120,201,202,203,204,205	230813

Index Number	Description Variation Number	Part Number	Index Number	Description Variation Number	Part Number
--------------	---------------------------------	-------------	--------------	---------------------------------	-------------

60 Armature
86,89,92,94,95,96,101,103,104,105,
109,110,120,201,202,203,204,205 A-275738

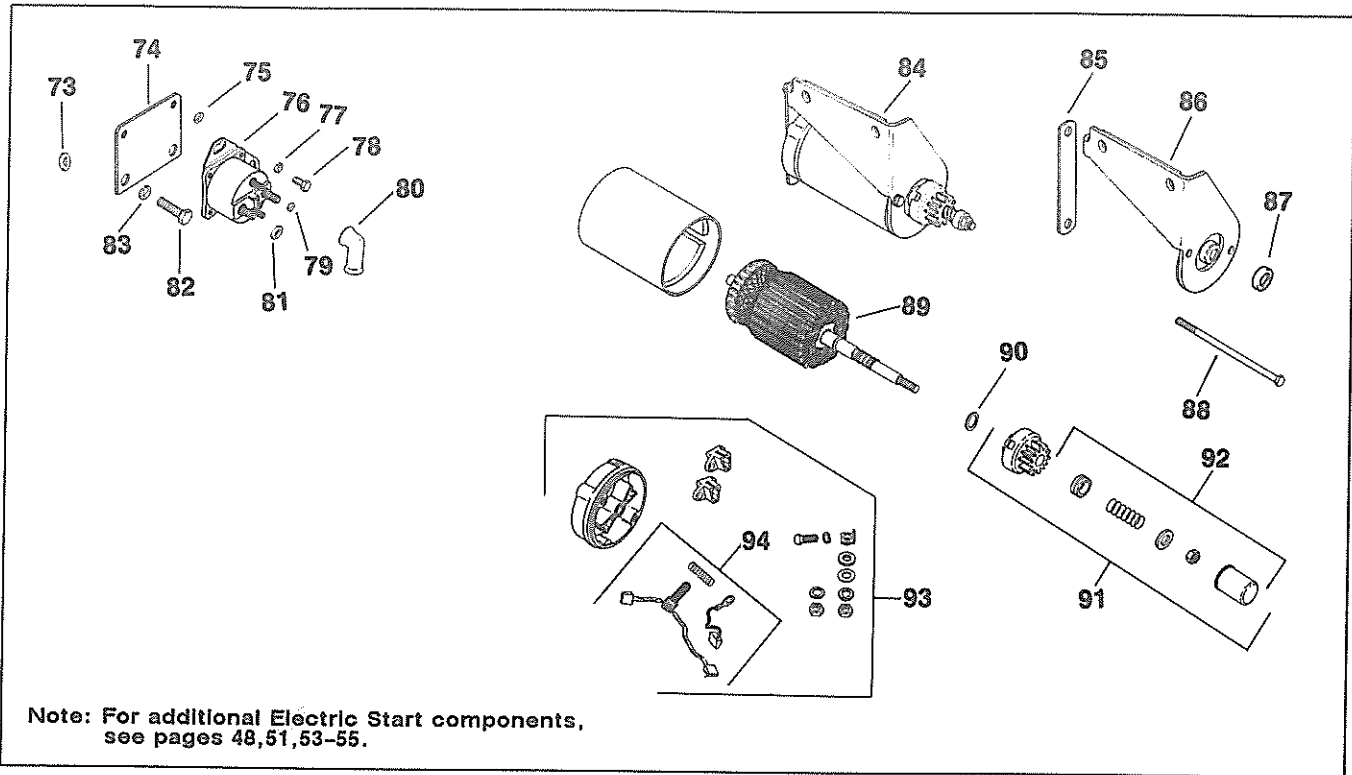


Index Number	Description Variation Number	Part Number	Index Number	Description Variation Number	Part Number
61	Starter assembly (United Technologies number AMBAC SME12A12) (Includes 62-72) (Before serial no. E-2005024 replace individual components with starter assembly breakdown A-232981, for complete starter replacement use 41 098 03)	A-232981-S*	67	Kit, hardware (3) (Discontinued not available at Kohler Co.)	237761
	121,122,128,129,130,132		68	Armature	236571
62	Plate, D.E.	234961		121,122,128,129,130,132	
63	Bolt, thru (2)	236577	69	Washer, spacer .005 (Discontinued not available at Kohler Co.)	236570
	121,122,128,129,130,132			121,122,128,129,130,132	
64	Washer, thru bolt (2) (Discontinued not available at Kohler Co.)	237761	70	Washer, spacer .010 (A.R.) (Discontinued not available at Kohler Co.)	236568
	121,122,128,129,130,132			121,122,128,129,130,132	
65	Cap, commutator end	236628	71	Drive assembly (Includes 72)	236565
	121,122,128,129,130,132			121,122,128,129,130,132	
66	Brush and spring	236576	72	Spring, drive (Discontinued not available at Kohler Co.)	237121
	121,122,128,129,130,132			121,122,128,129,130,132	

*Note: Reference the United Technologies part number, located on the starter, when ordering replacement parts. For additional information, see Parts Bulletin 119.

ELECTRIC START
(Cont'd)

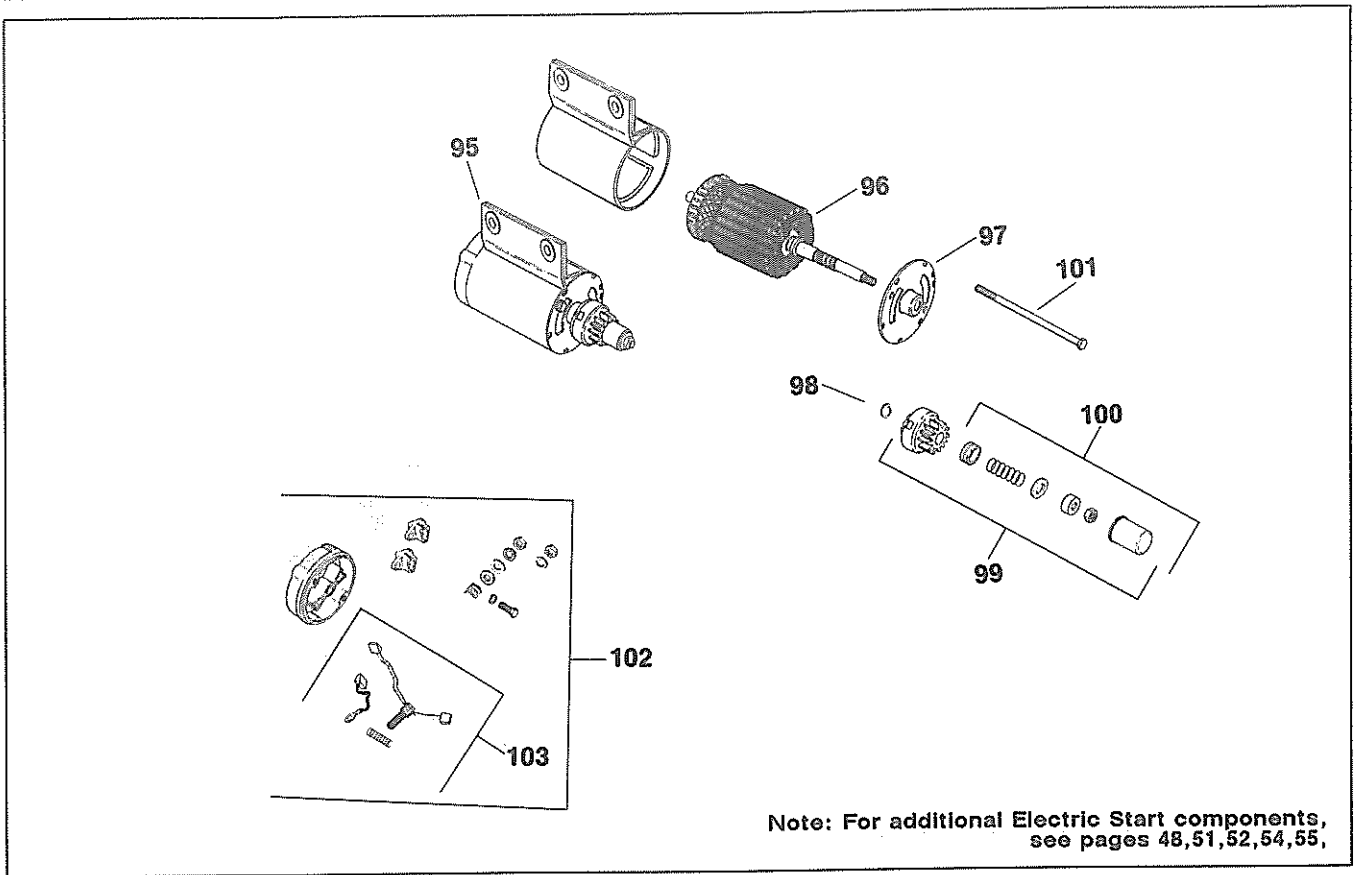
K181



Note: For additional Electric Start components, see pages 48,51,53-55.

Index Number	Description Variation Number	Part Number	Index Number	Description Variation Number	Part Number
73	Washer, plain 13/32" I.D. (2) 128,137	X-25-28	85	Bracket, support C.E. (Discontinued not available at Kohler Co.) 121,122,128,129,130,132	237365
73	Washer, plain 25/64" I.D. (2) 138	270889	86	Bracket and cap D.E. (Includes 87) (Discontinued not available at Kohler Co.) 121,122,128,129,130,132	237360
74	Bracket, switch mounting 128,137,138	41 126 06	87	Bearing, cap D.E. 121,122,128,129,130,132	41 030 01
75	Washer, plain 17/64" I.D. (2) 128,137,138	X-25-63	88	Bolt, thru (2) 121,122,128,129,130,132	237758
76	Switch, relay 128,137,138,500	25 009 05	89	Armature 121,122,128,129,130,132	47 170 01
77	Washer, lock 1/4" (2) 128,137,138	X-20-1	90	Washer, armature thrust 121,122,128,129,130,132	47 468 02
78	Screw, H.C. 1/4-20x1/2" (2) 128,137,138	X-5-13	91	Kit, drive (Includes 92) 121,122,128,129,130,132	41 755 15
79	Washer, internal tooth 3/16" (2) 137,138	X-22-9	92	Kit, drive parts 121,122,128,129,130,132	47 755 13
80	Nipple 128	41 135 01	93	Kit, commutator cap assembly (Includes 94) 121,122,128,129,130,132	48 227 04
81	Washer, internal tooth 5/16" (2) 137,138	X-22-5	94	Kit, brush & spring (Replaced by 52 755 15) 121,122,128,129,130,132	48 755 15
82	Screw, H.C. 3/8-16x1" (2) 122,128,129,137,138,139,500	X-7-1			
83	Washer, lock 3/8" (2) 122,128,129,137,138,139,500	X-22-1			
84	Starter assembly (United Technologies number AMBAC SMH12A1) (Includes 85-94) (After serial no. E-2005023, but before serial no. 3371913, replace individual components with starter assembly breakdown B-234193, for complete starter replacement use 41 098 03) 121,122,128,129,130,132	B-234193*			

*Note: Reference the United Technologies part number, located on the starter, when ordering replacement parts. For additional information, see Parts Bulletin 119.



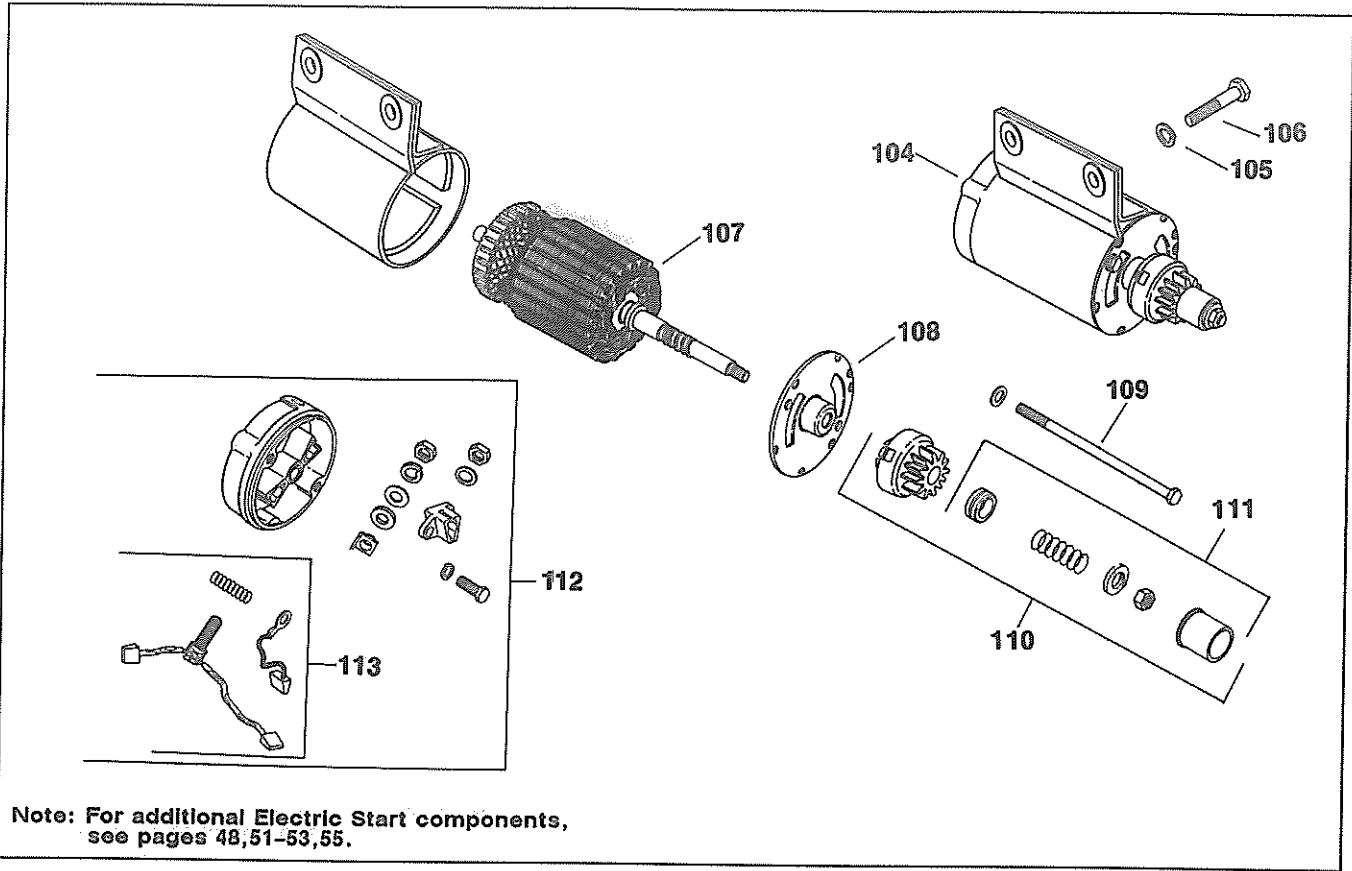
Note: For additional Electric Start components, see pages 48,51,52,54,55,

Index Number	Description Variation Number	Part Number	Index Number	Description Variation Number	Part Number
95	Starter assembly (United Technologies number AMBAC 05996-29-M030SM) (Includes 96-103) (After serial no. 3371012, but before serial no.14125295, replace individual components with starter assembly breakdown 41 098 01, for completer starter replacement, use 41 098 03) 121,122,128,130,132,133,138,139	41 098 01*	99	Kit, drive (Includes 100) 121,122,128,130,132,133,138,139, 500	41 755 15
95	Starter assembly (United Technologies number AMBAC 05996-29-M030SM) (Includes 96-103) (Before serial no. 14125295, replace individual components with starter assembly breakdown 41 098 01, after serial no. 14125294 and for complete starter replacement, use 41 098 03) 500	41 098 01*	100	Kit, drive parts 121,122,128,130,132,133,138,139, 500	47 755 13
96	Armature 121,122,128,130,132,133,138,139, 500	47 170 01	101	Bolt, thru (2) 121,122,128,130,132,133,138,139, 500	237649
97	Cap, drive end 121,122,128,130,132,133,138,139, 500	237650	102	Cap, commutator end assembly (Includes 103) 121,122,128,130,132,133,138,139, 500	48 227 04
98	Washer, armature thrust 121,122,128,130,132,133,138,139, 500	47 468 02	103	Kit, brush and spring (Replaced by 52 755 15) 121,122,128,130,132,133,138,139, 500	48 755 15

*Note: Reference the United Technologies part number, located on the starter, when ordering replacement parts. For additional information, see Parts Bulletin 119.

**ELECTRIC START
(Cont'd)**

K181

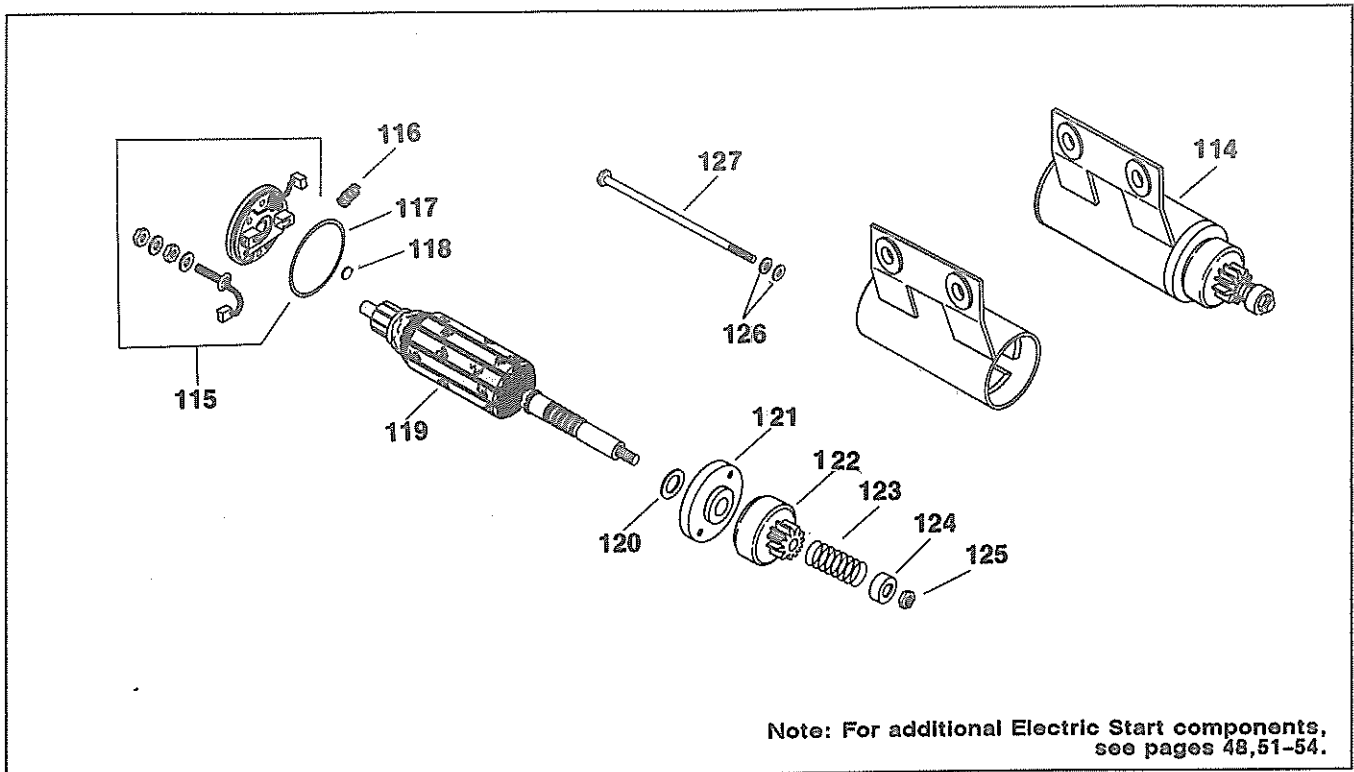


Note: For additional Electric Start components, see pages 48,51-53,55.

Index Number	Description Variation Number	Part Number	Index Number	Description Variation Number	Part Number
104	Starter assembly (United Technologies number AMBAC 43727-24-M0305M) (Includes 105-113) 140	41 098 03*	111	Kit, drive (Includes 110) 140	41 755 15
105	Washer, lock 3/8" (2) 140	X-22-1	112	Cap, commutator end (Includes 113) 140	48 227 04
106	Screw, H.C. 3/8-16x1 (2) 140	X-7-1	113	Kit, brush (Replaced by 52 755 15) 140	48 755 15
107	Armature 140	47 170 01			
108	Cap, drive end 140	237650			
109	Bolt, thru w/washer (2) 140	237649			
110	Kit, drive parts 140	47 755 13			

*Note: Reference the United Technologies part number, located on the starter, when ordering replacement parts. For additional information, see Parts Bulletin 119.

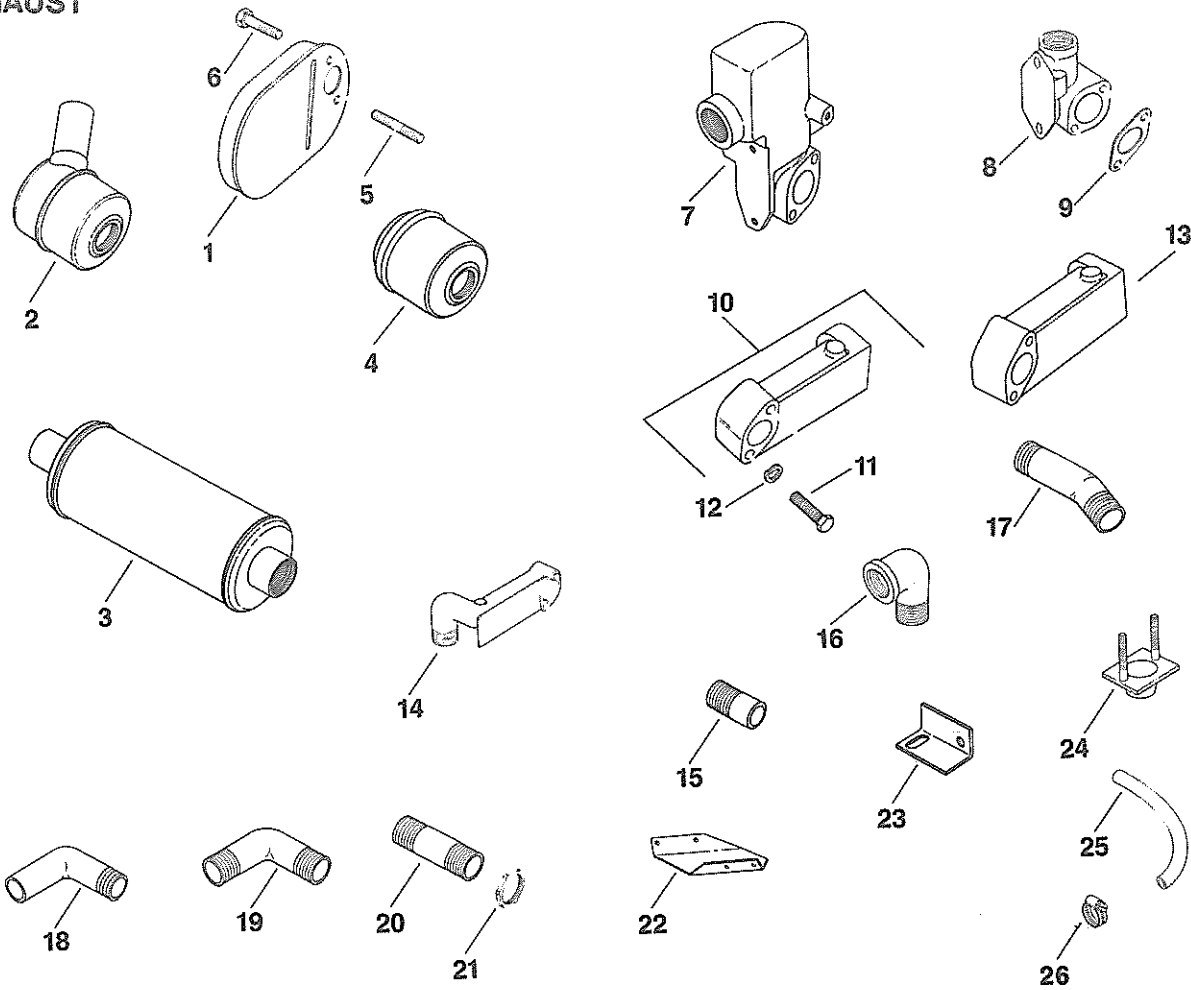
K181



Note: For additional Electric Start components, see pages 48,51-54.

Index Number	Description Variation Number	Part Number	Index Number	Description Variation Number	Part Number
114	Starter assembly (United Technologies number AMBAC 09680-27-MO20SM) (Includes 115-127) (Discontinued not available at Kohler Co.) 135,136,137	41 098 02*	122	Pinion, drive 135,136,137	41 171 02
115	Cap, commutator end assembly 135,136,137	41 227 02	123	Spring, anti-drift 135,136,137	41 089 01
116	Spring, brush (2) 135,136,137	41 089 02	124	Pinion, stop 135,136,137	41 241 01
117	Gasket 135,136,137	41 056 02	125	Nut, stop 135,136,137	41 755 13
118	Disc, thrust 135,136,137	41 273 01	126	Washer (4) (Discontinued not available at Kohler Co.) 135,136,137	D-2883
119	Armature 135,136,137	41 170 01	127	Bolt, thru (2) 135,136,137	41 086 01
120	Washer 135,136,137	236569	*Note: Reference the United Technologies part number, located on the starter, when ordering replacement parts. For additional information, see Parts Bulletin 119.		
121	Cap, drive end 135,136,137	41 227 01			

**Group 12
EXHAUST**

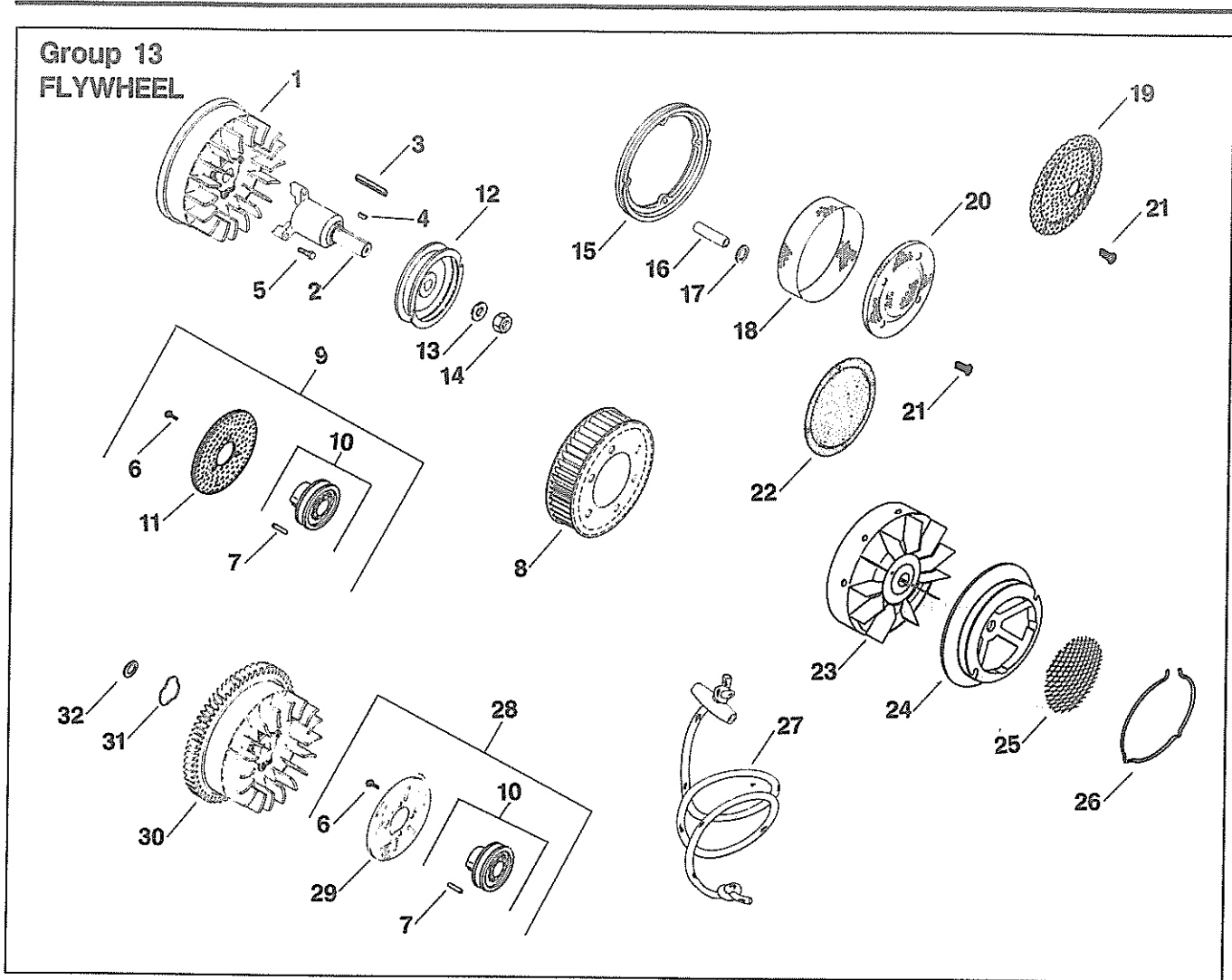


Index Number	Description Variation Number	Part Number	Index Number	Description Variation Number	Part Number
1	Muffler 1,505	230943	4	Muffler 5,6,29,42,50,51,88,500,503,504,507, 511,513,514,515,516,517,518,519, 520,521,522,523,524,526,538,702, 705,706	230410
1	Muffler 2	230946	5	Stud 5/16-18x2" (2) 1,2,3,6,10,11,15,18,51,501,502,503, 504,505,506,507,509,510,512,513, 515,516,517,518,523,528,530,531, 532	41 072 18
1	Muffler 7	230948	5	Stud 5/16-18x2" 7,46,66	41 072 18
1	Muffler 46	232571	5	Stud 5/16-18x2-1/2" 65,75,538	220304
1	Muffler 59,80,508,531	41 068 08	5	Stud 5/16-18x2-1/8" 7,46	230910
1	Muffler 703	41 068 09	5	Stud 5/16-18x1-1/4" (2) 77,533	41 072 19
1	Muffler 61	41 068 03	6	Screw, hex. hd. 5/16-18x1-1/2" (2) 59,61,62,80,81,531	41 086 02
1	Muffler 62,81	41 068 02			
2	Muffler 79,525,700,704	41 068 05			
3	Muffler 512	230521			

K181

Index Number	Description Variation Number	Part Number	Index Number	Description Variation Number	Part Number
6	Screw, hex. hd. 5/16-18x2-1/4" (2) (Discontinued not available at Kohler Co.) 71,76	230578	16	Elbow, street 90° 52,84,526,538	230600
7	Manifold, water cooled (Discontinued not available at Kohler Co.) 71	41 164 01	16	Elbow, street 45° (Discontinued not available at Kohler Co.) 71	X-274-9
8	Elbow, exhaust 10,11,503,504	230953	17	Elbow, exhaust 25° 50,519,525,700,704	235194
8	Elbow, exhaust 65,75,502,506,507,518,538	41 029 02	18	Elbow, exhaust 90° 56,72,83	235692
9	Gasket 1,2,3,6,7,10,11,18,46,51,503,504, 505,512,513,514,515,527,528,529, 530	231090	19	Elbow, 90° 42,79,88,509	231820
9	Gasket (2) (Replaced by 41 041 01) 330	230122	20	Nipple 5,524,705	41 136 04
9	Gasket 59,61,62,65,66,71,75,76,501,502, 506,507,509,510,515,517,518,523, 531,532,534,535,537,538,701,703	41 041 01	20	Nipple (Discontinued not available at Kohler Co.) 6,29,52,521,522	X-218-24
9	Gasket (2) 80,81,508,533	41 041 01	20	Nipple 51,501,513,517,538	41 136 02
10	Kit, adapter (Includes X-6-1,X-21-1) 3,6,18,51,512,513,515	238069	20	Nipple 500,515,518	X-218-23
11	Screw, H.C. 5/16-18x1/2" 3,6,18,51,512,513,515	X-6-1	20	Nipple (Discontinued not available at Kohler Co.) 523	X-218-3
12	Washer, lock 5/16" 3,6,18,51,512,513,515	X-21-1	21	Nut, lock #1 29,42,50,52,56,72,83,84,520,521	AC-1536
13	Elbow, exhaust 66,501,509,516,517,523,535	41 029 01	21	Nut, lock #1 (2) 79,88,525,700,704	AC-1536
14	Elbow, exhaust (Discontinued not available at Kohler Co.) 510	237789	21	Nut, lock #1 (3) 538	AC-1536
15	Nipple, pipe (Discontinued not available at Kohler Co.) 71	X-227-1	22	Bracket, mounting 510	238062
15	Nipple, pipe 82	41 136 03	23	Brace, manifold (Discontinued not available at Kohler Co.) 71,76	231197
16	Elbow, street 45° 29,521	231441	24	Adapter, muffler (Discontinued not available at Kohler Co.) 528	234305
			25	Clamp, hose (2) 71,76	X-426-3
			26	Hose 5/8x8-1/2" (Discontinued not available at Kohler Co.) 71,76	X-571-2

K181



Index Number	Description Variation Number	Part Number	Index Number	Description Variation Number	Part Number
1	Flywheel 47	231769	1	Flywheel 128,129,191	41 025 11
1	Flywheel 60,79,84,109	231770	1	Flywheel 133	41 025 05
1	Flywheel (Discontinued not available at Kohler Co.) 62,92	231768	1	Flywheel 135,147	41 025 02
1	Flywheel 63,120,139	231772	1	Flywheel (Discontinued not available at Kohler Co.) 136	41 025 03
1	Flywheel 69,156	234877	2	Shaft, front drive (Discontinued not available at Kohler Co.) 63,119,142	231399
1	Flywheel (Discontinued not available at Kohler Co.) 96,97	A-232643	2	Shaft, front drive 120,125,132,160	230531
1	Flywheel (Discontinued not available at Kohler Co.) 103,107	A-232827	2	Shaft, front drive (Discontinued not available at Kohler Co.) 135	230588
1	Flywheel (Discontinued not available at Kohler Co.) 118,119	234441	2	Shaft, front drive 143	41 144 01
1	Flywheel 140	A-234527	3	Key, square 47,62,63,79,84,88,89,90,91,92,96, 97,103,104,109,118,120,125	231845

K181

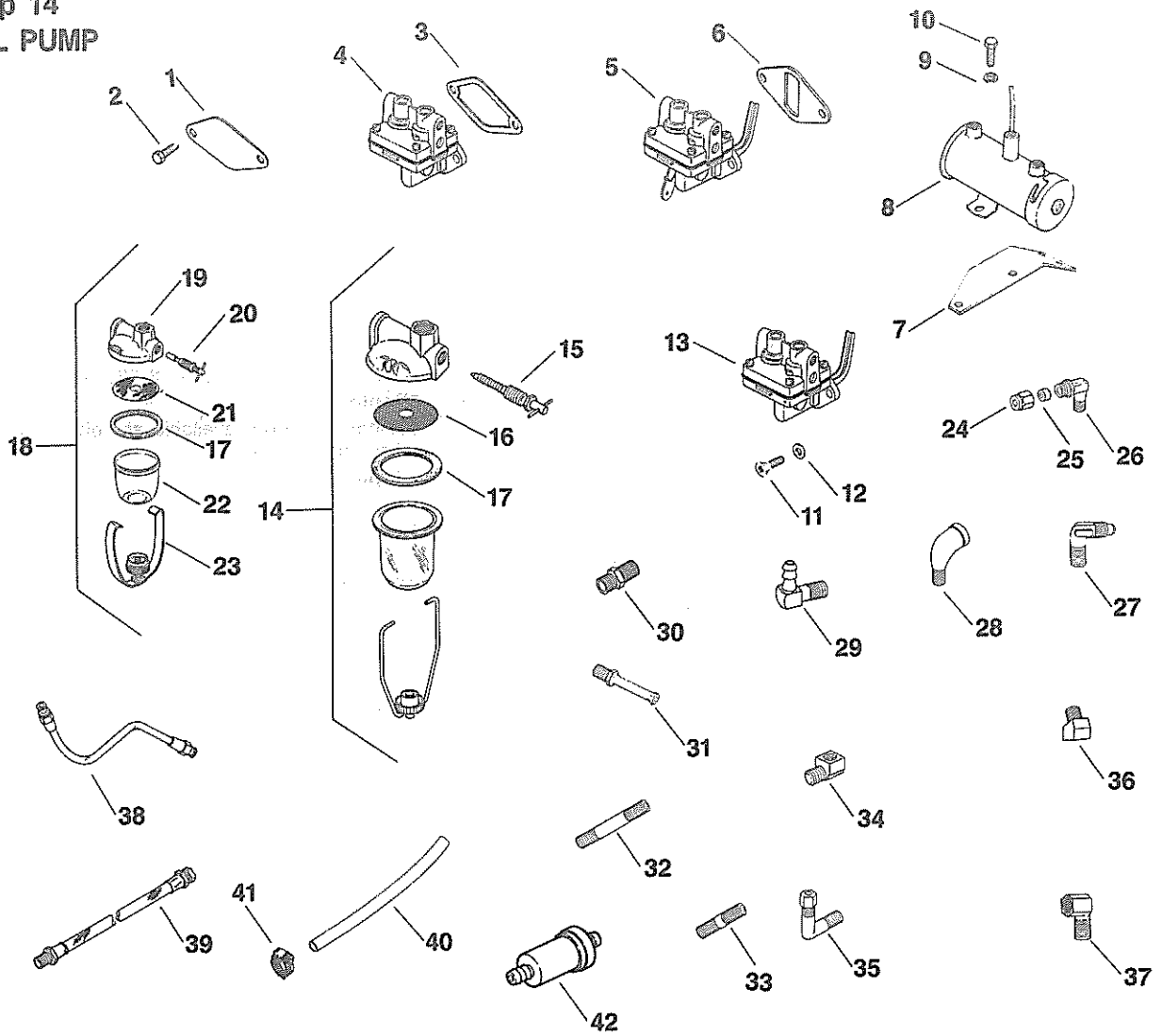
Index Number	Description Variation Number	Part Number	Index Number	Description Variation Number	Part Number
3	Key, square 60, 89, 101, 107, 110, 113, 119, 126, 127, 128, 129, 131, 132, 133, 134, 135, 136, 139, 141, 142, 143, 146, 147, 149, 150, 152, 154, 156, 158, 159, 160, 161, 164, 172, 191	X-286-17	18	Cylinder, grass screen (Discontinued not available at Kohler Co.) 79	231990
4	Key, woodruff #91 (Discontinued not available at Kohler Co.) 60	X-42-11	19	Screen, grass 63, 119 Before serial no. 661889 use: (Discontinued not available at Kohler Co.) After serial no. 661888 use: (Discontinued not available at Kohler Co.)	231398 231524
4	Key, woodruff #2 (Discontinued not available at Kohler Co.) 135	X-42-3	20	Screen, grass (Discontinued not available at Kohler Co.) 79	231991
4	Key, woodruff #5 135	X-43-3	20	Screen, grass 126, 131, 154, 159	234392
5	Screw, hex. cap 1/4-20x1" (3) 160	X-132-4	20	Screen, grass (Discontinued not available at Kohler Co.) 142, 160	234993
6	Screw, self tapping #8-32x1/4" (4) 69, 156	X-67-41	21	Screw, truss hd. 1/4-20x5/8" (4) 131, 152, 160, 161, 172	47 086 08
6	Screw, self tapping #8-32x1/4" (4) 146	X-67-46	22	Screen, grass 47, 60, 101, 110, 118, 139, 161 Before serial no. 661889 use: (Discontinued not available at Kohler Co.) After serial no. 661888 use:	231142 231523
7	Pin 1/4x3/4" 69, 146, 156	X-56-7	22	Screen, grass (Discontinued not available at Kohler Co.) 84	231142
8	Rotor (Discontinued not available at Kohler Co.) 147	235590	23	Flywheel 88, 89	231638
9	Assembly, pulley and screen (Includes 6, 7, 10, 11) 69, 156	41 071 04	23	Flywheel (Discontinued not available at Kohler Co.) 90, 91, 104	A-232826
10	Assembly, cup (Includes 7) 69, 146, 156	41 071 03	24	Pulley, rope start 89, 91, 92, 97, 103, 128, 134	41 093 06
11	Screen, grass 69, 156	231819	25	Screen, grass 89, 91, 92, 97, 103, 128, 134	230098
12	Pulley, rope start 135	230498	26	Retainer, screen 89, 91, 92, 97, 103, 128, 134	230363
12	Pulley, rope start (Discontinued not available at Kohler Co.) 136	230462	27	Rope, starting ALL	A-230099
13	Washer, plain 1/32x1-1/4x1/8" 128, 129, 131, 134, 150, 152, 158, 160, 161, 164, 169, 172, 191	X-25-15	28	Assembly, pulley and screen (Includes 6, 7, 10, 29) (Discontinued not available at Kohler Co.) 146	41 071 01
14	Nut, flywheel 5/8"-18 47, 60, 62, 63, 69, 79, 84, 88, 89, 90, 92, 96, 97, 101, 103, 104, 107, 109, 110, 113, 118, 119, 120, 125, 127, 128, 129, 131, 132, 133, 134, 135, 139, 140, 141, 142, 143, 146, 147, 149, 150, 152, 156, 158, 160, 161, 164, 172, 191	25 100 02	29	Screen, grass (Discontinued not available at Kohler Co.) 146	41 162 04
14	Nut, flywheel 5/8"-18 (Discontinued not available at Kohler Co.) 136	230463	29	Screen (Discontinued not available at Kohler Co.) 152	41 162 08
15	Pulley 47, 60, 63, 79, 101, 109, 110, 118, 119, 120, 139, 161,	231330	29	Screen, grass 172	41 126 09
15	Pulley, electric start (Discontinued not available at Kohler Co.) 84	231141	30	Flywheel (Discontinued not available at Kohler Co.) 101	A-234598
16	Spacer, screen (4) 79	231993	30	Flywheel 110, 113	A-234287
17	"O" ring (4) 79	271463	30	Flywheel (Discontinued not available at Kohler Co.) 125	A-234281

FLYWHEEL
(Cont'd)

K181

Index Number	Description Variation Number	Part Number	Index Number	Description Variation Number	Part Number
30	Flywheel 126,131,141,152,161	41 025 17	30	Flywheel 150	41 025 32
30	Flywheel 146	41 025 15	30	Flywheel 134,158	41 025 13
30	Flywheel 132,143,159,160,172	41 025 16	30	Flywheel 164	41 025 37
30	Flywheel (Discontinued not available at Kohler Co.) 149	41 025 14	31	Washer, tension 47,62,88,89,90,91,92,96,97,103, 118,127	230148
30	Flywheel 154	41 025 31	32	Washer, plain 172	X-25-52

Group 14
FUEL PUMP



Index Number	Description Variation Number	Part Number	Index Number	Description Variation Number	Part Number
1	Cover, pump pad 1,300,306	240282	6	Gasket, fuel pump 62,63,64,73,93	25 041 09
2	Screw, hex. cap sems 1/4-20x1/2" (2) 1,66	X-132-6	7	Bracket, fuel pump 66	41 126 10
3	Spacer, fuel pump (Discontinued not available at Kohler Co.) 34	232515	8	Pump, fuel - electric (Replaced by 41 393 45) 66	41 393 28
4	Pump, fuel - vacuum (Includes 11 [X-14-9], repair kit 231597) 23,24,33,34,57,83	B-231390	9	Washer, lock 1/4" (2) 66	X-20-1
5	Pump, fuel - hand lever 2,3,4,7,10,18,27,28,44,49,50,301, 302,303,304,305,307,308	C-230361	10	Screw, hex. cap 1/4-20x3/8" (2) (Discontinued not available at Kohler Co.) 66	X-5-17
6	Gasket, fuel pump pad 1,2,3,4,7,10,18,23,27,28,39,42,43, 49,50,52,54,55,56,58,59,61,62,63, 64,65,66,70,83,300,301,302,303, 304,305,306,307,308	25 041 05	11	Screw, F.H.M. 1/4-20x5/8" (2) 39,58,62,63,64,65,70,73,83,93	X-174-2
6	Gasket, fuel pump pad (2) 24,30,32,33,34,44,57	25 041 05	11	Screw, R.H.M. 1/4-20x3/4" 3,59	47 086 08
			11	Screw, F.H.M 8-32x9/16" (Discontinued not available at Kohler Co.) 23,24,30,32,33,34,39,42,43,52,54, 55,57,59,61,83	X-14-9

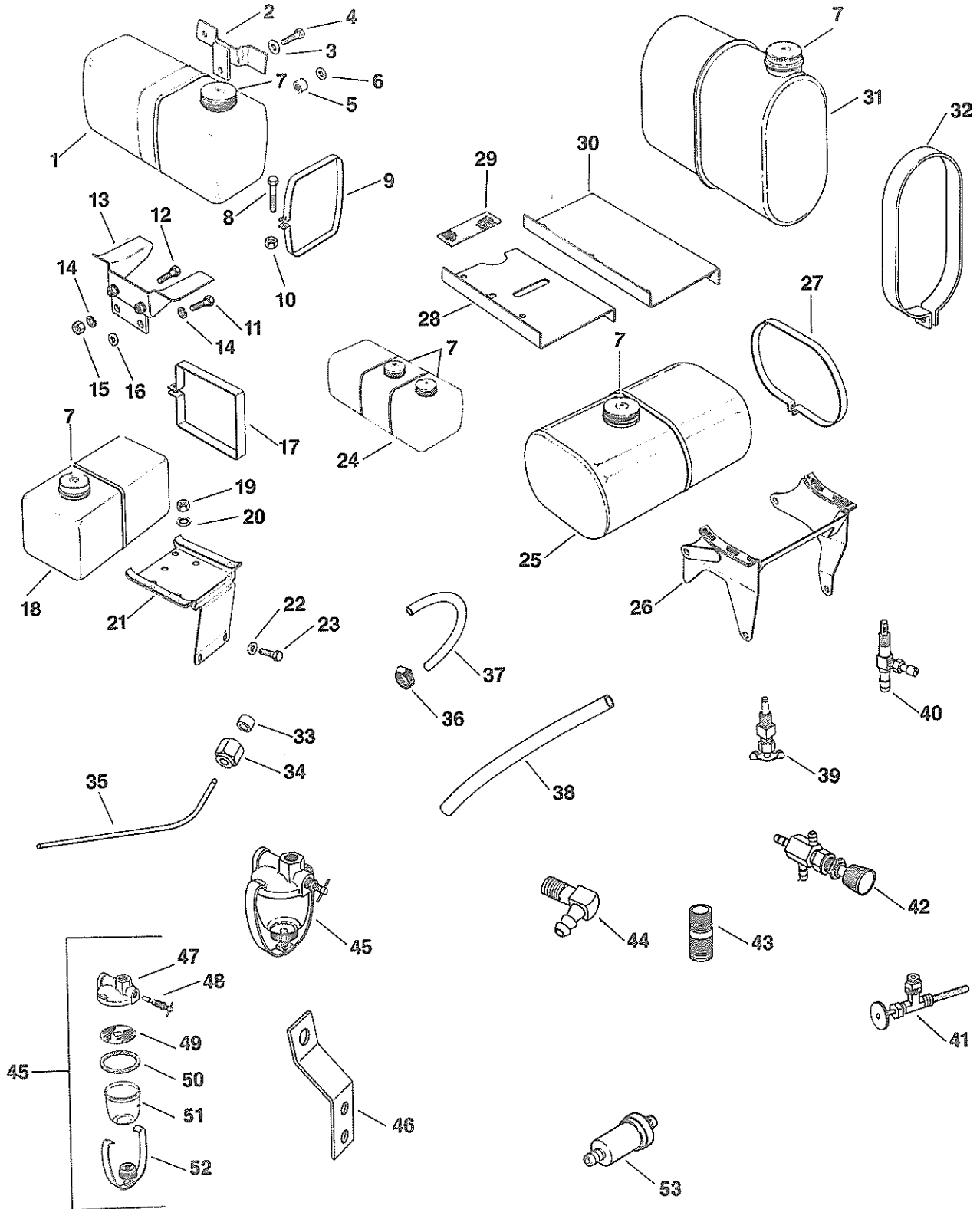
K181

FUEL PUMP (Cont'd)

Index Number	Description Variation Number	Part Number	Index Number	Description Variation Number	Part Number
12	Washer, plain 1/4" (2) 58,62,63,64,65,70,73,93	X-25-63	29	Elbow 90° (A.R.) 2,3,4,7,18,23,27,28,30,32,33,34, 39,42,43,44,49,50,52,54,55,57,58, 59,61,63,64,65,66,70,73,83,93,301, 303,304,305,307,308	25 155 02
13	Pump, fuel (Includes 11 [X-14-9], 230675 repair kit) 30,32,39,42,43,52,54,55,59,61	A-231796	30	Connector (Use before serial no. 3000001) 2,3,4,7,18,23,24,17,28,30,32,34, 39,42,43,44,49,50,52,55,57,307, 308	231509
13	Pump, fuel - plastic body (Includes 6 [25 041 09], 12,29 [25 155 02], 29 [X-391-11],31) 62,63,64,73,93	41 559 02	31	Connector 24,28,50,61,62,63,70,73,93,308	X-380-1
13	Pump, fuel - plastic body (Includes 6[25 041 05], 12,29[25 155 02], 31) 58,65,70	41 559 01	32	Nipple (Discontinued not available at Kohler Co.) 50,308	X-217-3
14	Assembly, fuel filter (Includes 5-17) (Discontinued not available at Kohler Co.) 7,50,305,308	A-230528	33	Nipple 2,7,18,25,27,30,32,42,52,54,55	X-217-6
15	Valve, needle 7,50,305,308	232967	33	Nipple 3,10	47 136 02
16	Screen (Discontinued not available at Kohler Co.) 7,50,305,308	232964	34	Elbow 90° 62,69	X-555-2
17	Gasket, bowl 2,3,7,10,18,27,30,32,42,43,50,52, 54,55,301,302,303,304,305,306,307, 308,309	210468	35	Elbow, compression 90° (Discontinued not available at Kohler Co.) 2,4,7,30,32,301,303	A-822
18	Assembly, fuel filter (Includes 17,19-23) 2,3,10,18,27,30,32,42,43,49,52,54, 55,301,302,303,304,306,307,309	A-210101	36	Elbow, street (Discontinued not available at Kohler Co.) 502	256025
19	Top, filter 2,3,10,18,27,30,32,42,43,52,54,55, 301,302,303,304,306,307,309	210478	37	Elbow, street 90° 49,307	48 283 03
20	Valve, needle 2,3,10,18,27,30,32,42,43,52,54,55, 301,302,303,304,306,307,309	A-210480	37	Elbow, street 90 °(2) 52	48 283 03
21	Screen 2,3,10,18,27,30,32,42,43,52,54,55, 301,302,303,304,306,307,309	210479	38	Line, fuel 66	41 353 04
22	Bowl, fuel filter 2,3,10,18,27,30,32,42,43,52,54,55, 301,302,303,304,306,307,309	210467	39	Line, fuel 8" (Discontinued not available at Kohler Co.) 62	270727
23	Ball 2,3,10,18,27,30,32,42,43,52,54,55, 301,302,303,304,306,307,309	A-210477	39	Line, fuel 10" (Discontinued not available at Kohler Co.) 62	265811
24	Nut (2) (Use before serial no. 3000001) 2,3,4,7,18,23,24,27,28,30,32,34,39, 42,43,44,49,50,52,55,57,307,308	220786	40	Line, fuel 3" 3,58,59,63,64,65,70,73,83	25 353 02
25	Sleeve (2) 2,3,4,7,18,23,24,27,28,30,32,34,39, 42,43,44,49,50,52,55,57,307,308	220547	40	Line, fuel 3" (2) 93	25 353 02
26	Elbow 90° 27,57	231510	40	Line, fuel 4" 2,4,7,23,24,28,30,32,34,42,43,44, 49,50,52,55,57,61,307,308,701	230140 25 353 06
27	Elbow 90° (2) 66	X-447-10	40	Line, fuel 4" 18,39	25 353 06
28	Elbow, street 45° 2,3,7,10,18,27,30,42,50,54,55,308	X-274-4	40	Line, fuel 9" 33,54	25 353 10
29	Elbow, 90° 62,63,64,73	X-391-11	40	Line, fuel 18.5" 58	25 353 09
			41	Clamp, hose (2) 2,3,4,7,10,18,23,24,27,28,30,32,34, 39,42,43,44,49,50,52,55,57,58,59, 61,63,64,65,70,73,83,307,308	X-426-9
			41	Clamp, hose (4) 93	X-426-9

Index Number	Description Variation Number	Part Number	Index Number	Description Variation Number	Part Number
42	Filter, fuel 93	25 050 02			
	NOT ILLUSTRATED				
	Kit, fuel pump repair (Use only with pumps having letter "B" stamped on the body. This kit includes a diaphragm, diaphragm spring, valve assembly, valve gasket and pulsator diaphragm.)			Kit, fuel pump repair (This kit includes a diaphragm, valve assembly, valve, gasket, fuel pump gasket and mounting gasket.)	
	2,3,4,7,10,18,27,28,30,32,39,42,43, 44,49,50,52,54,55,59,61,301,302, 303,304,305,307,308	230675		23,24,33,34,57,83	231597

Group 15
FUEL TANK



Index Number	Description Variation Number	Part Number	Index Number	Description Variation Number	Part Number
1	Tank, fuel - 0.9 gal. 42,44,46,58,68,69,73,75,78,80,82, 87,91,97,126,135,517	41 065 02	17	Strap, tank - 1.5 gal. tank (2) 85,90,92,98,104,105,134,500,510, 511,513	A-236938
2	Bracket, tank - upper, 0.9 gal. tank 42,44,46,58,68,69,73,75,78,80,82, 83,87,91,97,105,126,135,512	A-234177	17	Strap, tank - 1.5 gal. tank (3) 512	A-236938
3	Washer, plain 1/4" 78,	X-25-52	17	Strap, tank - 1.5 gal. tank 70,93	A-236938
4	Screw, hex cap 1/4-20x1/2" 78	X-132-6	18	Tank, fuel - 1.5 gal. 70,85,93,104,105,134,500,510,512, 513	234451
5	Spacer 1/4" 44,68,75	X-400-31	19	Nut, hex 5/16"-18 (3) 70,93,98,104,134	X-77-2
6	Washer, plain 1/4" 91,105,126	X-25-68	20	Washer, int.- ext. tooth 5/16" (3) 70,93,98,104,134	X-22-16
6	Washer, plain 1/4" 78,97	X-25-33	21	Bracket, tank - lower, 1.5 gal. tank 70,85,90,92,93,98,104,134,500,510, 512,513	234767
6	Washer, plain 105	X-75-28	22	Washer, plain 1/4" (2) 70,93,98,104,134	X-25-53
6	Washer, plain 105	X-25-37	23	Screw, H.C. 1/4-20x5/8" (2) 70,93,98,104,134	X-132-5
7	Cap, fuel tank 24,25,42,44,58,68,69,70,73,75,78, 82,87,500,501,700,701	236655	24	Tank, fuel - .48 gal. gasoline, 1.44 kerosene 90	41 065 01
7	Cap, fuel tank - winterized ventilation 31,46,80,85,502,503,504,505,506, 519	220853	25	Tank, fuel - 1.4 gal. 24,25,31,509,516	230164
7	Cap, fuel tank - winterized ventilation (2) 90	220853	25	Tank, fuel - 1.5 gal. 98	41 065 04
7	Cap, fuel tank, 1-1/2" filler neck (Use with 41 065 04 fuel tank) 98	41 703 01	26	Bracket, tank - lower, 1.4 gal. tank 24,25,31	234168
8	Screw, H.C. sems. 1/4-20x1-1/4" (2) 42,44,46,58,68,69,73,75,78,80,82, 87,91,97,517	X-776-1	27	Strap, tank -1.4 gal. tank (2) 24,25,31,509	A-234167
8	Screw, sems 1/4-20x1" 105	X-132-4	28	Bracket, tank - lower, 1.5 gal. tank (Discontinued not available at Kohler Co.) 502,503,505,506	232395
9	Strap, tank - 0.9 gal tank (2) (Includes 8,10) 42,44,46,58,68,69,73,75,78,80,82, 87,91,97,126,135,517	A-234873	28	Bracket, tank - lower, 1.5 gal. tank (Discontinued not available at Kohler Co.) 504	234442
10	Nut, elastic stop 1/4"-20 (2) 42,44,46,58,68,69,73,75,78,80,82, 87,97,91,517	X-101-8	29	Webbing 2-1/2" (2) (Discontinued not available at Kohler Co.) 502,503,504,505,506	X-295-27
11	Screw, H.C. 3/8-16x5/8" (2) 78,80,82,135	X-7-16	29	Webbing 17" (2) (Discontinued not available at Kohler Co.) 502,503,504,505,506	X-295-32
11	Screw, H.C. 3/8-16x1" (2) 91,126	X-7-1	30	Bracket, tank - lower, 1.5 or 2.0 gallon tank (Discontinued not available at Kohler Co.) 501,507	230409
12	Screw, H.C. 3/8-16x3/4" (2) 78	X-7-8	31	Tank, fuel - 2.0 gal (Discontinued not available at Kohler Co.) 501,700,701	A-239023
13	Bracket, tank - lower, 0.9 gal tank 42,44,46,58,68,69,73,75,78,80,82, 83,87,91,96,97,105,126,135,508	A-234875	31	Tank, fuel - 1.5 gal. 502,503,504,505,506,519	235164
14	Washer, lock 3/8-16" (2) 78,80,82,91,126,135	X-22-1	31	Tank, fuel - 2.8 gal. 518	236684
15	Nut, hex 3/8"-16 (2) 78	X-83-2	31	Tank, fuel (Discontinued not available at Kohler Co.) 701	A-234784
16	Washer, plain 3/8" (2) 91,126	270889			

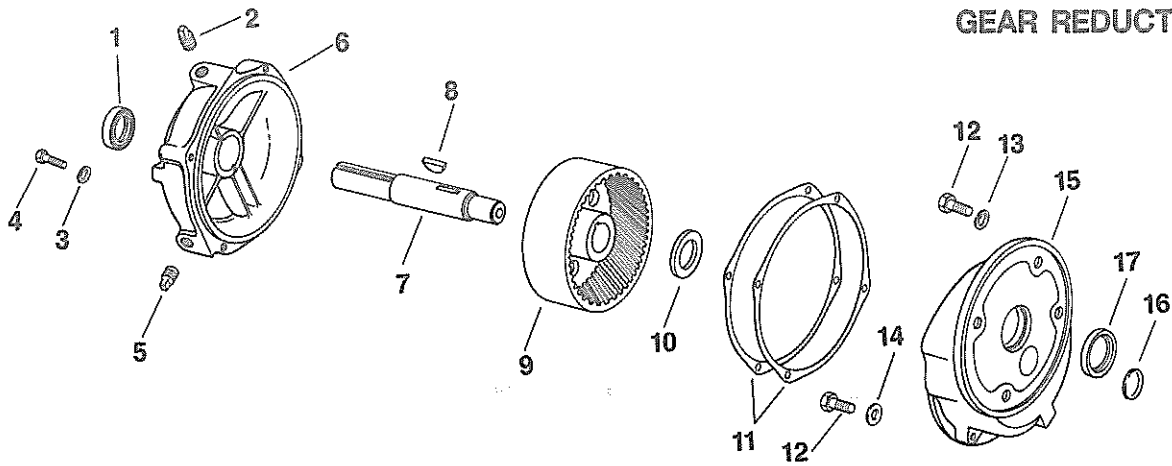
FUEL TANK
(Cont'd)

K181

Index Number	Description Variation Number	Part Number	Index Number	Description Variation Number	Part Number
32	Strap, tank - 1.5 or 2.0 gal. tank (2) (Discontinued not available at Kohler Co.) 501,502,503,504,505,506,700,701	230706	39	Valve, fuel shut-off (For 14" inner diameter hose) 25,42,46,58,68,69,70,73,78,80,82, 85,90,91,92,93,98,104,105,128,134, 135,500,510,517	220764
33	Sleeve, fuel line (2) 87,97	220547	39	Valve, fuel shut-off (For 3/16" inner diameter hose) 519	47 462 01
34	Nut, fuel line (2) 87,97	220786	40	Valve, fuel shut-off 44,75	231682
35	Line, fuel 9-13/16" steel 87,97	41 353 07	41	Valve, fuel shut-off 87,97	210392-1
36	Clamp, hose 126	X-426-9	42	Valve, fuel shut-off 90	46 462 05
36	Clamp, hose (2) 24,25,70,85,93,98,104,134,135,514, 515	X-426-9	43	Nipple 3/4" 24,31	X-217-6
36	Clamp, hose (5) 90	X-426-9	44	Elbow 90° (A.R.) 24,31,502,503,504,505,506	25 155 02
37	Line, fuel 7" rubber (Discontinued not available at Kohler Co.) 24,25	X-697-8	45	Assembly, fuel filter (Includes 47-51) 24,31	A-210101
37	Line, fuel 9" rubber 90	25 353 10	46	Bracket, valve 90	46 126 03
37	Line, fuel 5-1/4" rubber 31	25 353 13	47	Top, filter 24,31	210478
37	Line, fuel 16-1/2" rubber 42,46	X-386-24	48	Valve, needle 24,31	A-210480
37	Line, fuel 18-1/2" 44,68,69,73,78,80,82,91,105,135, 514	25 353 09	49	Screen 24,31	210479
37	Line, fuel 15" rubber (Discontinued not available at Kohler Co.) 58	X-386-22	50	Gasket, bowl 24,31	210468
37	Line, fuel 6-3/4" rubber 70,85,93	52 353 04	51	Bowl, filter 24,31	210467
37	Line, fuel 6-1/4" rubber 75,90,500,501	X-386-48	52	Ball 24,31	A-210477
37	Line, fuel 13-1/2" rubber (Discontinued not available at Kohler Co.) 505,506	X-386-6	53	Filter, fuel 126	25 050 02
37	Line, fuel 5-1/2" rubber 98	25 353 01	NOT ILLUSTRATED		
37	Line, fuel 15-1/2" 126	41 353 14	Decal, fuel warning 134,135,701		25 113 10
37	Line, fuel 2" 126	41 353 15			
38	Sleeve, fuel line 9" 42,44,46,68,73,75,78,80,82,91,105	X-621-1			
38	Sleeve, fuel line 16" (Discontinued not available at Kohler Co.) 512	X-415-3			

K181

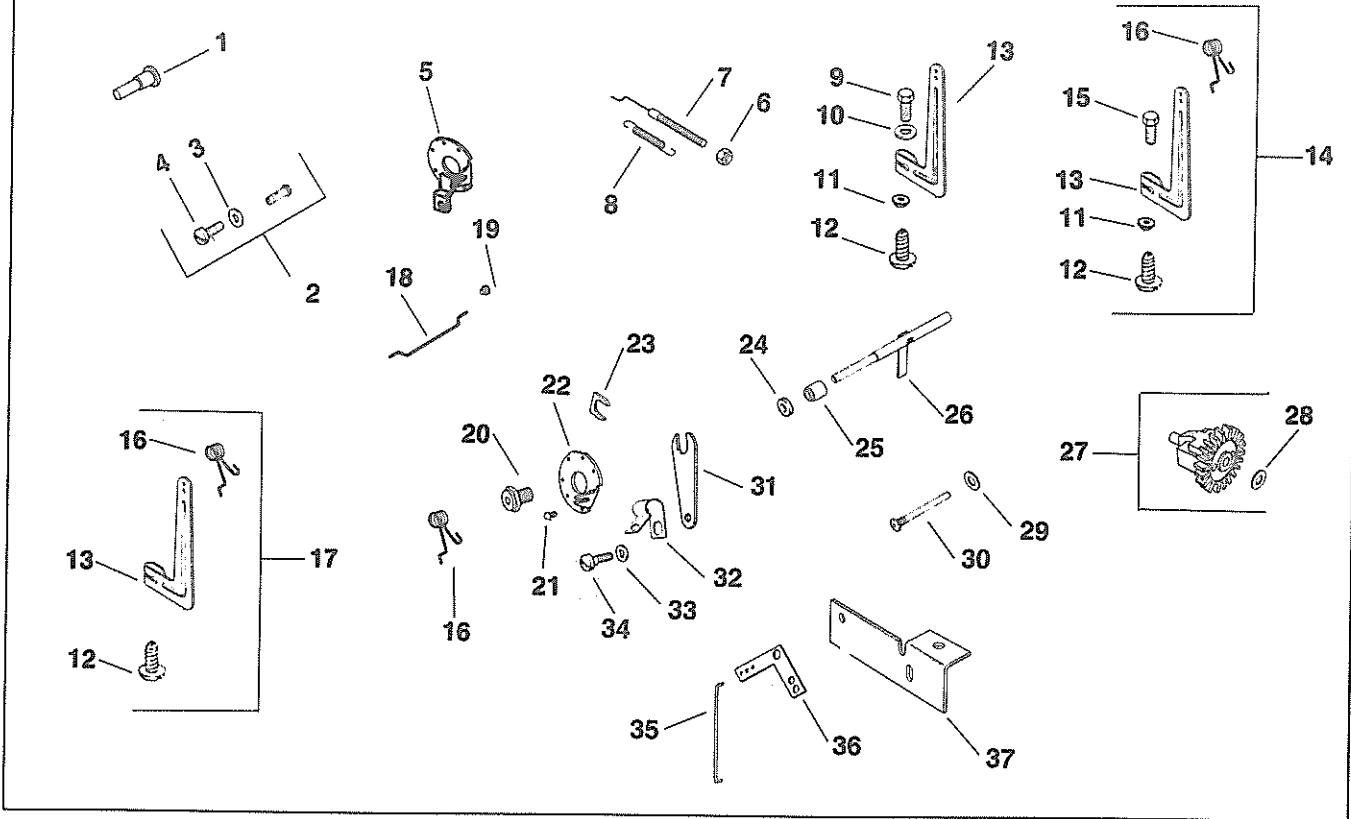
Group 16 GEAR REDUCTION



Index Number	Description Variation Number	Part Number	Index Number	Description Variation Number	Part Number
1	Seal, rear oil 1,7	X-583-2	11	Gasket, gear cover .010 (Discontinued not available at Kohler Co.) 1,7	230218
2	Plug, vented pipe 1,7	41 139 01	11	Gasket, gear cover .015 (A.R.) (Replaced by 234498) 1,7	234497
3	Washer, lock 5/16" (4) 1,7	X-21-1	11	Gasket, gear cover .020 (A.R.) 1,7	234498
4	Screw, hex. cap 5/16-18x2" (2) 1,7	X-6-29	12	Screw, hex. cap 3/4-16x7/8" (4) 1,7	X-129-4
5	Plug, pipe 1/4" 1,7	X-75-2	13	Washer, lock 3/8" (2) 1,7	X-22-1
6	Cover, housing 1,7	A-230780	14	Washer, brass 3/8" (2) 1,7	X-25-67
7	Shaft, reduction 6-1/4" 1	230214	15	Housing, gear (Includes 16,17) 1,7	A-230781
7	Shaft, reduction 8-1/2" (Discontinued not available at Kohler Co.) 7	232846	16	Plug, expansion 1,7	160037
8	Key, woodruff #9 1,7	X-45-1	17	Seal, front oil 1,7	X-271-22
9	Gear, reduction 1,7	230213			
10	Bearing, thrust (2) 1,7	230219			

K181

Group 17 GOVERNOR



Index Number	Description	Part Number	Index Number	Description	Part Number
1	Stop, wire 121	232730	11	Pin nut	
2	Kit, swivel wire clamp (Include 3,4) 166,304	48 755 10		77,81,82,83,89,91,93,94,98,99,103, 105,108,109,112,113,117,118,119, 120,124,125,126,130,133,137,138, 139,140,141,142,145,147,149,150, 151,155,156,158,160,162,163,164, 166,167,168,170,171,172,173,175, 179,242,243,274,275,300,302,303, 304	X-799-1
3	Washer, plain 1/4"	X-25-102	12	Screw, self tapping 8-32x1/4"	
4	Screw, pan head 8-32x1/4"	X-51-8		77,81,82,83,89,91,93,94,98,99,103, 105,108,109,112,113,117,118,119, 120,124,125,126,130,133,137,138, 139,140,141,142,145,147,149,150, 151,155,156,158,160,162,163,164, 166,167,168,170,171,172,173,175, 179,242,243,274,275,300,302,303, 304	X-67-46
5	Disc, regulating 166	41 274 10	13	Lever, governor	
6	Nut, hex (2) 81,153,163,168,169,276	X-72-4		77,81,82,83,89,91,93,94,98,99,103, 105,108,109,112,113,117,118,119, 120,124,125,126,130,133,137,138, 139,140,141,142,145,147,149,150, 151,155,156,158,160,162,163,164, 166,167,168,170,171,172,173,175, 179,242,243,274,275,300,302,303, 304	
7	Arm, governor 6,81,118,129,139,153,168,169,210, 220,230,240,276,300,301,302,303	220239			
8	Spring, linkage 6,75,81,83,118,129,139,151,153, 168,169,172,210,220,230,240,276, 300,301,302,303	230117			
9	Screw, hex. cap 1/4-20x1"	X-5-7			
10	Washer, plain 1/4"	X-25-72			
					232614

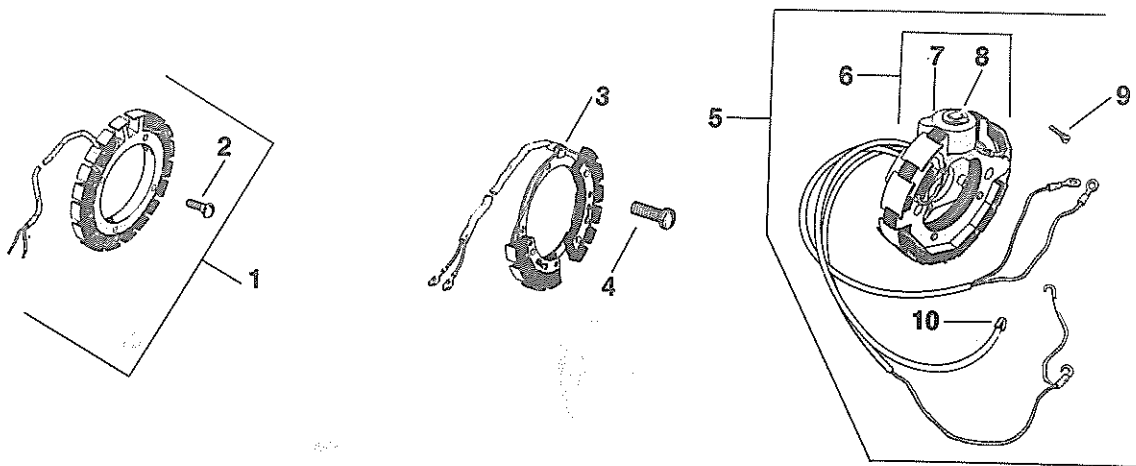
Index Number	Description Variation Number	Part Number	Index Number	Description Variation Number	Part Number
13	Lever, governor (Discontinued not available at Kohler Co.) 121	232728	20	Bushing, governor 6,53,75,77,81,82,83,89,91,93,94, 98,99,103,105,108,109,112,113,117, 118,119,120,121,124,125,126,129, 130,133,137,138,139,140,141,142, 145,147,149,150,151,152,153,155, 156,158,160,162,163,164,166,167, 168,169,170,171,172,173,175,179, 210,220,230,240,242,243,274,275, 276,275,276,300,301,302,303,304	
13	Lever, governor 129,169,210,220,230,240,301	232762		Before serial no. 319428 use:	220132
14	Assembly, governor lever (Includes 11,12,13,15 [232614], 16 [232617]) 77,81,82,83,89,91,93,94,98,99,103, 105,108,109,112,113,117,118,119, 120,124,125,126,130,133,137,138, 139,140,141,142,145,147,149,150, 151,155,156,158,160,162,163,164, 166,167,168,170,171,172,173,175, 179,242,243,274,275,300,302,303, 304	A-234178		After serial no. 319427 use:	230476
15	Screw, hx. hd. 1/4-20x1" 77,81,82,83,89,91,93,94,98,99,103, 105,108,109,112,113,117,118,119, 120,124,125,126,130,133,137,138, 139,140,141,142,145,147,149,150, 151,155,156,158,160,162,163,164, 166,167,168,170,171,172,173,175, 179,242,243,274,275,300,302,303, 304	25 086 16	21	Screw, drive #2 53,75,82,83,91,94,98,105,109,113, 117,119,120,121,124,125,126,130, 133,137,138,140,141,142,145,147, 149,150,151,155,156,158,160,162, 163,164,166,167,170,171,172,173, 175,179,242,243,274,275,276	X-67-5
16	Spring, governor 77,81,82,83,89,91,93,94,98,99,103, 105,108,109,112,113,117,118,119, 120,124,125,126,130,133,137,138, 139,140,141,142,145,147,149,150, 151,155,156,158,160,162,163,164, 166,167,168,170,171,172,173,175, 179,242,243,274,275,300,302,303, 304	232617	22	Disc, regulating 6,53,81,82,89,93,118,120,121,125, 126,129,130,137,139,140,145,147, 149,150,151,152,153,158,163,164, 168,169,173,175,210,220,230,240, 274,275,276,300,301,302,303	230149
16	Spring, governor 129,168,169,210,220	41 091 02	22	Disc, regulating 75,83,98,103,113,138,155,242	232513
16	Spring, governor 153,300	232619	22	Disc, regulating (Discontinued not available at Kohler Co.) 91	232625
17	Kit, governor lever (Includes 12,13 [232614], 16 [232617 & 232619]) 6,53,75	230494-S	22	Disc, regulating (Discontinued not available at Kohler Co.) 94,141	232549
18	Linkage, governor 6,53,75,77,81,82,83,89,91,93,94,98, 99,103,105,108,109,112,113,117,118, 119,120,124,125,126,129,130,133, 137,138,139,140,141,142,145,147, 149,150,151,155,156,158,160,162, 163,164,166,167,168,169,170,171, 172,173,175,179,210,220,230,240, 242,243,275,276,300,301,302,303, 304	230078	22	Disc, regulating 99	231466
18	Linkage, governor (Discontinued not available at Kohler Co.) 121	232672	22	Disc, regulating (Discontinued not available at Kohler Co.) 105,167	231329
19	Bushing, linkage 242,275,276,242,274	25 158 08	22	Disc, regulating (Discontinued not available at Kohler Co.) 108	231331
			22	Disc, regulating 109,142,164,172	230913
			22	Disc, regulating (Discontinued not available at Kohler Co.) 112	230918
			22	Disc, regulating 119,156,179	220766
			22	Disc, regulating 124	232836
			22	Disc, regulating 133	221126
			22	Disc, regulating 160	41 274 01
			22	Disc, regulating 162,170,243	41 274 12

**GOVERNOR
(Cont'd)**

K181

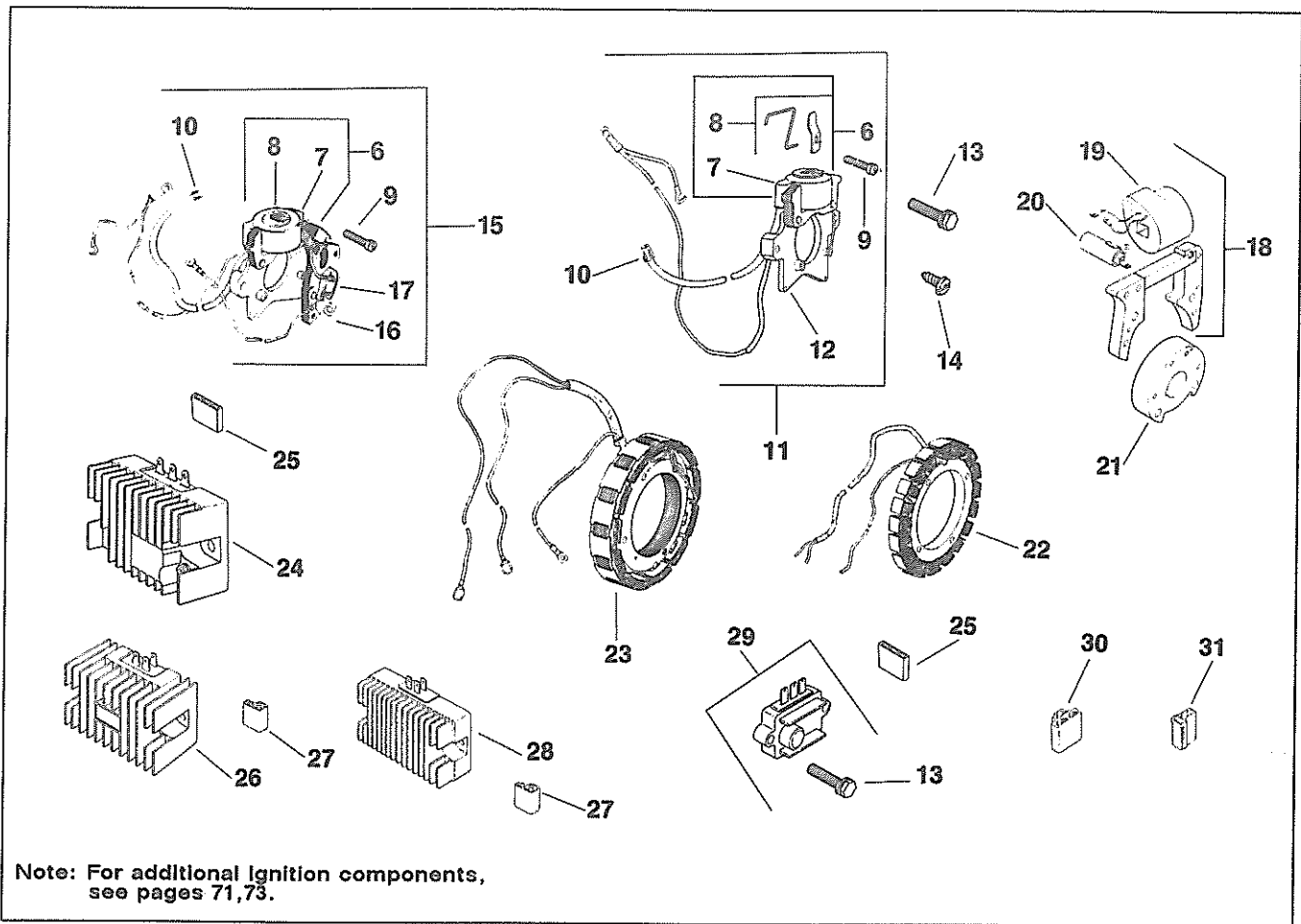
22	Disc, regulating (Discontinued not available at Kohler Co.) 171	41 530 13	30	Pin, governor stop 6,53,75,77,81,82,83,89,91,93,94,98, 99,103,105,108,109,112,113,117, 118,119,120,121,124,125,126,129, 130,133,137,138,139,140,141,142, 145,147,149,150,151,152,153,155, 156,158,160,162,163,164,166,167, 168,169,170,171,172,173,175,179, 210,220,230,240,242,243,274,275, 276,300,301,302,303,304	X-25-58
23	Washer, spacing (Discontinued not available at Kohler Co.) 77,108	230919			
24	Washer, steel 3/8" 6,53,75,77,81,82,83,89,91,93,94,98, 99,103,105,108,109,112,113,117, 118,119,120,121,124,125,126,129, 130,133,137,138,139,140,141,142, 145,147,149,150,151,152,153,155, 156,158,160,162,163,164,166,167, 168,169,170,171,172,173,175,179, 210,220,230,240,242,243,274,275, 276,300,301,302,303,304	X-25-58			
25	Spacer, 5/16" (Discontinued not available at Kohler Co.) 99	232739			
26	Shaft, governor cross 6,53,75,77,81,82,83,89,91,93,94, 98,99,103,105,108,109,112,113,117, 118,119,120,121,124,125,126,129, 130,133,137,138,139,140,141,142, 145,147,149,150,151,152,153,155, 156,158,160,162,163,164,166,167, 168,169,170,171,172,173,175,179, 210,220,230,240,242,243,274,275, 276,300,301,302,303,304	230540-S			
27	Kit, governor gear (Includes 28) 6,53,75,77,81,82,83,89,91,93,94, 98,99,103,105,108,109,112,113, 117,118,119,120,121,124,125,126, 129,130,133,137,138,139,140,141, 142,145,147,149,150,151,152,153, 155,156,158,160,162,163,164,166, 167,168,169,170,171,172,173,175, 179,210,220,230,240,242,243,274, 275,276,300,301,302,303,304	A-235743-S	30	Before serial no. 555266 use: (Discontinued not available at Kohler Co.) After serial no. 555265 use:	X-52-8 231355
			31	Bracket, speed control 6,81,118,129,130,139,153,168,169, 210,220,230,240,276,300,301,302	41 126 16
				Generator sets before serial no. 202305 use:	41 126 05
				Generator sets after serial no. 202304 use:	41 126 16
			31	Bracket, speed control 53,75,82,83,89,91,93,94,98,99,103, 105,109,112,113,117,119,120,121, 124,125,130,133,138,140,141,145, 147,149,150,151,152,155,156,158, 160,163,164,166,170,172,242,274, 275,303	
				Before serial no. 319428 use: After serial no. 319427 use:	220156 230477
			31	Bracket, speed control (Discontinued not available at Kohler Co.) 137,173	231968
			31	Bracket, speed control 126,142,162,167,175,179	232888
			31	Bracket, speed control (Discontinued not available at Kohler Co.) 171	41 087 03
			32	Clip, cable 1/2" wide 130,140,141,142,145,150,162,163, 167,179	210149
			33	Washer, lock #8 142,162,163,167,179	X-18-2
			34	Screw, pan head 8-32x3/8" 142,162,163,167,179	X-51-12
			34	Screw, pan head 8-32x1/4" 166	X-51-8
			35	Linkage, regulating (Discontinued not available at Kohler Co.) 99	232552
			36	Bracket, regulating (Discontinued not available at Kohler Co.) 99	231461
			37	Bracket, regulating (Discontinued not available at Kohler Co.) 99	232553
28	Washer, governor thrust washer 6,53,75,77,81,82,83,89,91,93,94,98, 99,103,105,108,109,112,113,117,118, 119,120,121,124,125,126,129,130, 133,137,138,139,140,141,142,145, 147,149,150,151,152,153,155,156, 158,160,162,163,164,166,167,168, 169,170,171,172,173,175,179,210, 220,230,240,242,243,274,275,276, 300,301,302,303,304	237022			
29	Washer, copper 1/4" 81,82,93,94,98,126,142,147,153, 158,160,162,163,166,167,168,169, 171,172,173,175,179,242,243,274, 275,276	X-25-12			

Group 18
IGNITION



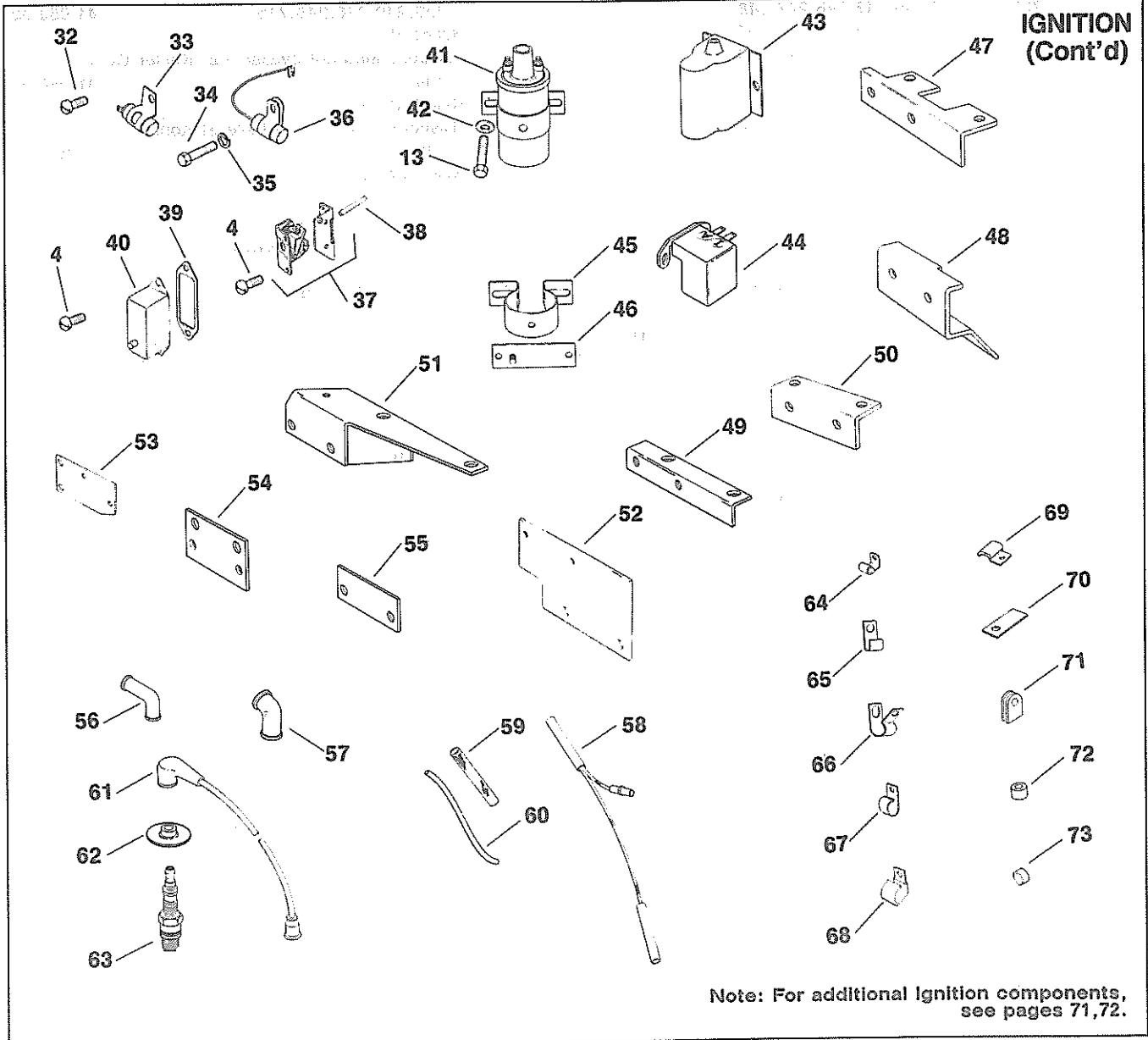
Note: For additional Ignition components, see pages 72,73.

Index Number	Description Variation Number	Part Number	Index Number	Description Variation Number	Part Number
1	Kit, alternator stator (15 amp.) (Includes 2, terminal 25 452 01) 179,181,182,183,192,194,201,205, 208,215,216,219,220,222,223,226, 227,229,231,232,234,237,242,246, 247,248,500,704,705,706,709,710, 711,713,714,715,716	237878	6	Kit, coil stator (Includes 7,8) 105,110,125,134,135,137,139,150, 157,158,159,164,165,178,184,186, 188,190,195,196,201,206,209,211, 213,214,218,221,224,230,236,241, 243,244,245,708	47 755 20
2	Screw, pan head 10-24x3/4" (4) 181,192,194,208,223,226,227,229, 231,232,234,237,242,246,247,248, 500,708,713,714,715,716	X-67-51	7	Coil 105,110,125,134,135,137,139,150, 157,158,159,164,165,178,184,186, 188,190,195,196,201,206,209,211, 213,214,218,221,224,230,236,241, 243,244,245,708	47 145 02
3	Stator, alternator (3 amp.) (Includes diode kit 51 755 01) 240	45 085 02	7	Coil 188,200	237578
4	Screw, fillister head sems 10-24x3/8" (4) 178,184,200,208,211,213,221,223, 230,236,237,244,255,500	X-131-1	8	Kit, clip 105,110,125,134,135,137,139,150, 157,158,159,164,165,178,184,186, 188,190,195,196,200,201,206,209, 213,214,218,221,224,230,231,236, 241,243,244,245,708	237919
4	Screw, fillister head sems 10-24x3/8" (7) 240	X-131-1	9	Screw, coil clip 105,110,125,134,135,137,139,150, 157,158,159,164,165,178,184,186, 188,190,195,196,200,206,209,213, 214,218,221,224,230,236,241,243, 244,245	234423
5	Kit, magneto-alternator stator (10 amp.) (Includes 6-10, terminal 25 452 01, lead 47 518 11) 164,165,708	237876	10	Cable, spark plug 105,110,125,134,137,139,150,157, 158,159,164,165,178,184,186,190, 195,196,201,206,209,213,214,218, 221,224,230,231,236,241,243,244, 245,708	234424
6	Stator, magneto-alternator (10 amp.) (Includes 6-10) (Discontinued not available at Kohler Co.) 245	41 085 03	10	Cable, spark plug 188,200	234426



Index Number	Description Variation Number	Part Number	Index Number	Description Variation Number	Part Number
11	Stator, magneto (Includes 6-10,12) 178,184,186,190,195,196,206,209, 213,214,221,224,230,236,241,243, 244	A-235741	16	Clip, generator coil (Discontinued not available at Kohler Co.) 105,110,125,134,135,137,139,150, 157,158,159,218	232899
11	Stator, magneto (Includes 6-10,12,14) 188,200	A-236439	17	Coil, generator 105,110,125,134,135,137,139,150, 157,158,159,218	232898
12	Core & plate assembly 188,200	235759	18	Stator, rotor-magneto 71,72,79,92,93,95,103,111,113,114, 115,116,118,128,136,138,146,153, 160,166,167	A-231632
13	Screw, hex. cap sems 1/4-20x1" (2) 178,184,200,213,221,230,236,244	X-132-4	19	Coil, stator 71,72,79,92,93,95,103,111,113,114, 115,116,118,128,136,138,146,153, 160,166,167	231718
13	Screw, hex. cap sems 1/4-20x5/8" (2) 181,192,211,223,227,229,231,232, 237,240,242,276,500	X-132-5	20	Condenser 71,72,79,92,93,95,103,111,113,114, 115,116,118,128,136,138,146,153, 160,166,167	231719
13	Screw, hex. cap sems 1/4-20x3/8" 181,192,194,211,242,500	X-132-1	20	Condenser 110,125,134,135,137,139,150,157, 158,159	232813
13	Screw, hex. cap sems 1/4-20x1/2" (2) 194,246	X-132-6	21	Rotor 71,72,79,92,93,95,103,111,113,114, 115,116,118,128,136,138,146,153, 160,166,167	231631
14	Screw, self tapping 8-32x3/8" 200	X-67-59			
14	Screw, self tapping 8-32x1/4" 188,200	X-51-8			
15	Stator, magneto alternator (3 amp.) (Includes 6-10,16,17) 105,110,125,134,135,137,139,150, 157,158,159,218	A-232808			

Index Number	Description Variation Number	Part Number	Index Number	Description Variation Number	Part Number
22	Kit, alternator stator (15 amp.) (Includes insulating sleeve 236829, terminals 236830 & 25 452 01) 180,193,225	237879	27	Connector 179,180,192,193,194,201,205,206, 208,219,222,227,229,231,242,246, 247,500,704,705,709, 710,711,712	237429
23	Kit, alternator stator (10amp.) (Includes terminals 25 452 01,52 452 01, 236830, sleeves 236829 & 237042) 169	237877	28	Rectifier-regulator (15 amp.) (Discontinued not available at Kohler Co.) 219,222	47 403 01
24	Rectifier - regulator (10 amp.) 165,708	41 403 08	29	Kit, rectifier - regulator (15amp.) (Includes 13 (X-132-5) 215,220,226,234,237,248,713,714, 715	25 755 03
25	Connector 165,215,220,226,234,237,248,708, 713,714,715	236602	30	Connector 164,240	236473
26	Rectifier - regulator (15 amp.) 179,180,192,193,194,201,205,208, 229,231,500,705,709,710,711,712, 716	41 403 06	31	Connector 215,216,220,223	48 155 02



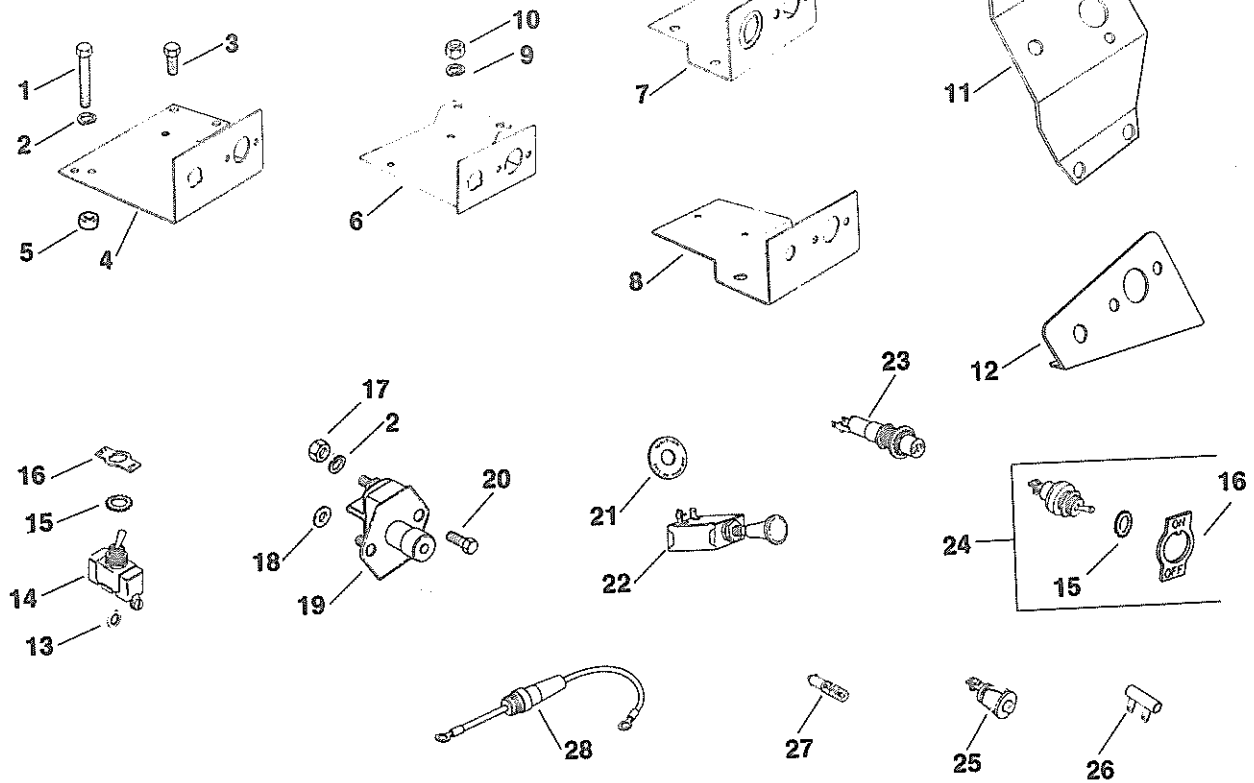
**IGNITION
(Cont'd)**

K181

Index Number	Description Variation Number	Part Number	Index Number	Description Variation Number	Part Number
32	Screw, pan head 6-32x1/4" (Discontinued not available at Kohler Co.) 178,184,200,213,221,230,236,244	X-144-2	47	Bracket, coil (Discontinued not available at Kohler Co.) 50	231322
33	Condenser 157,164,165,178,184,186,188,190, 195,196,200,206,209,213,214,218, 221,224,230,236,241,243,244,245, 708	47 147 01	48	Bracket, coil 70,130	231593
34	Screw, hex. cap 1/4-20x1-3/4" 194,223,240,246	X-5-21	49	Bracket, coil (Discontinued not available at Kohler Co.) 144	231640
35	Washer, lock 1/4" 194,223,240,246	X-20-1	50	Bracket, coil 89	232632
36	Condenser 22,50,59,70,89,98,112,123,126,130, 140,144,155,168,179,181,182,192, 194,201,202,205,207,211,215,216, 219,220,222,223,226,227,229,231, 232,234,237,240,242,246,247,248, 255,500,700,701,702,703,704,705, 706,709,710,711,713,714,715,716	230722	51	Bracket, coil (Discontinued not available at Kohler Co.) 112	232509
37	Breaker (When installing 47 150 03 breaker on engines below serial no. 13007371, always install a new breaker rod 41 411 01.) ALL	47 150 03	52	Bracket, coil (Discontinued not available at Kohler Co.) 234,714	41 088 04
38	Rod, breaker ALL	41 411 01	53	Bracket, coil 223,240,246,248,715	41 088 02
39	Gasket, cover ALL	52 041 11	53	Bracket, coil (Discontinued not available at Kohler Co.) 194	41 088 01
40	Cover, breaker - magneto Ignition ALL (Except 181,208,229,230,231,232, 242,246,709,716)	A-220136	54	Bracket, coil (Discontinued not available at Kohler Co.) 126	232580
40	Cover, breaker - battery Ignition 181,208,229,230,231,232,237,242, 246,255,500,709,716	232535	55	Bracket, coil 169	234323
41	Coil, ignition (12 volt) 22,50,59,70,89,98,112,123,126,130, 140,144,155,168,179,181,182,192, 194,201,202,205,207,211,215,216, 219,220,222,223,226,227,229,231, 232,234,237,240,242,246,247,248, 255,500,700,701,703,704,705,706, 709,710,711,713,714,715,716	231281	56	Boot, spark plug (Discontinued not available at Kohler Co.) 105,110,125	220317
42	Washer, plain 1/4" 181,192,194,211,223,227,229,231, 232,240,242,246,255,500,716	X-25-53	56	Boot, spark plug 134,135,136,137,139,150,157,158, 159,164,165,178,184,186,190,195, 196,209,213,214,218,221,224,230, 236,241,243,244,245	220791
42	Washer, plain 3/8" 194	X-25-28	57	Nipple 244	41 135 01
42	Washer, plain 3/8" (2) 246	X-25-28	58	Lead, trigger 169	236814
42	Washer, plain 1/4" 194,223,240,246	X-25-52	58	Lead, trigger 180,193,225	237125
43	Coil, ignition - breakerless 169,180,193,225	236826	59	Sleeve, cable (Discontinued not available at Kohler Co.) 225	X-715-3
44	Trigger - breakerless ignition 169,180,193,225	A-237339	60	Sleeve, cable 71,72,79,92,93,95,103,105,110,111, 113,114,115,116,118,125,128,136, 138,146,153,160,166,167	230334
45	Bracket, ignition coil 123,130,144,205,703,704	231879	61	Kit, hi-tension lead 22,50,59,70,89,98,112,123,126,130, 140,155,168,179,181,182,192,194, 201,202,205,207,211,215,216,219, 220,222,223,225,226,229,231,232, 234,242,246,248,255,700,702,703, 704,705,706,709,710,711,713,714, 715,716	238057
46	Plate, coil 179,180,181,192,207,211,216,222, 225,229,231,232,242,247,500,709, 710,711,716	234994	62	Grommet, spark plug 215,220,226,238,713	47 313 01

Index Number	Description Variation Number	Part Number	Index Number	Description Variation Number	Part Number
63	Spark plug 22, 50, 53, 59, 70, 71, 72, 79, 89, 92, 93, 95, 98, 99, 103, 105, 110, 111, 112, 113, 114, 115, 116, 118, 125, 126, 128, 130, 134, 135, 136, 137, 138, 139, 140, 144, 146, 150, 153, 156, 157, 158, 159, 164, 165, 166, 178, 179, 181, 182, 183, 184, 186, 190, 194, 195, 196, 201, 202, 206, 207, 208, 209, 211, 213, 214, 215, 216, 218, 220, 221, 223, 227, 229, 230, 231, 232, 234, 236, 240, 241, 243, 244, 245, 246, 255, 500, 701, 700, 702, 703, 704, 705, 706, 708, 709, 710, 711, 714	41 132 06	71	Grommet ALL	220297
63	Spark plug (Discontinued not available at Kohler Co.) 123	232869-S	72	Spacer 194, 223, 240, 248, 715	X-400-79
63	Spark plug 155, 160, 168, 205, 219, 222, 225, 242, 248, 500, 715, 716	235710-S	73	Plug, cap 169, 180, 193, 225	X-702-1
63	Spark plug 188, 200	231410-S	NOT ILLUSTRATED		
63	Spark plug 216, 220, 226, 237, 238, 247, 713	41 132 02		Lead, violet (38"-18 gauge) 164, 165, 708	47 518 11
63	Spark plug (Discontinued not available at Kohler Co.) 224	47 132 02		Lead, breaker, black (26"-14 gauge-uninsulated barrel open side, insulated grip barrel eyelet) 255	A-235606
64	Clip 202	237601		Lead, breaker, black (12"-14 gauge,uninsulated barrel open side,insulated grip barrel eyelet) 500	A-230371
65	Clip ALL (Except 50, 53, 59, 89, 99, 112, 123, 126, 144, 168, 169, 180, 182, 193, 230, 244)	230249		Lead, black (16"-14 gauge uninsulated push on tabs) 237	25 518 10
65	Clip 103, 116, 118, 167, 182	275303		Lead, breaker (26") 237	47 125 02
66	Clip 105, 110, 114, 125, 134, 135, 137, 139, 146, 150, 158, 159, 190, 195, 196, 209, 213, 223, 230, 236, 237, 240, 244, 248, 715	210281		Lead, hi-tension 237	48 348 02
66	Clip 169, 178, 188, 200, 245	X-728-1		Kit, diode 240	51 755 01
67	Clip 164, 182	234511		Terminal 164, 165, 169, 179, 180, 181, 182, 183, 192, 193, 194, 201, 205, 208, 215, 216, 219, 220, 222, 223, 225, 226, 227, 229, 231, 232, 234, 242, 246, 247, 248, 704, 705, 706, 708, 709, 710, 711, 713, 714, 715, 716	25 452 01
68	Clip (2) 226, 238, 713	48 154 02		Terminal 169, 180, 193, 225	236830
69	Clip 164, 165, 193, 708	234531		Terminal 169	52 452 01
70	Clip (Discontinued not available at Kohler Co.) 105, 110, 125, 134, 135, 137, 139, 150, 157, 158, 159, 218	232510		Sleeve 169, 180, 193, 225	236829
				Sleeve 169	237042

**Group 19
INSTRUMENT PANEL**

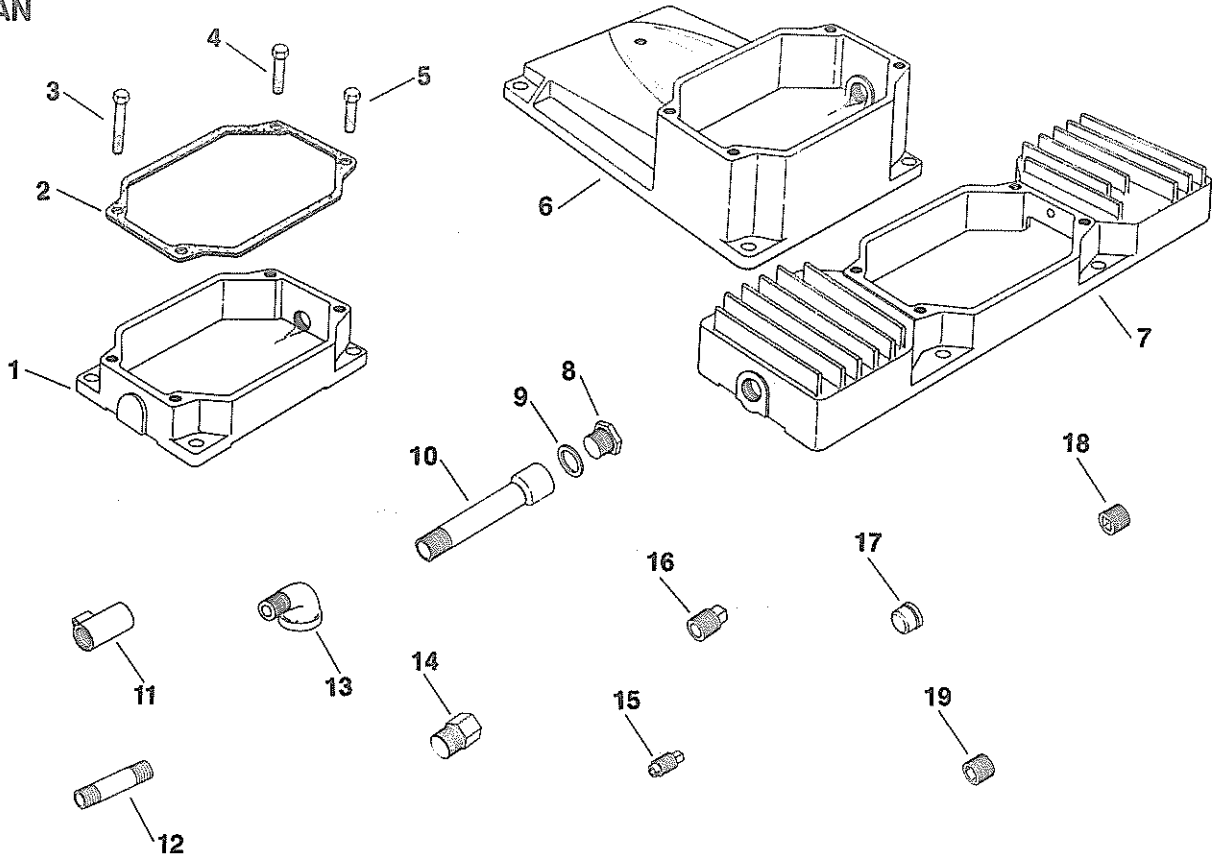


Index Number	Description Variation Number	Part Number	Index Number	Description Variation Number	Part Number
1	Screw, hex. cap 1/4-20x1-3/4" 46,47,50	X-5-21	11	Panel, instrument (Discontinued not available at Kohler Co.) 4,34	230720
2	Washer, lock 1/4" 46,47,50	X-20-1	12	Panel, instrument (Discontinued not available at Kohler Co.) 27,31	231723
2	Washer, lock 1/4" (2) 48,50,55	X-20-1	13	Washer, internal tooth #6 (4) 48	X-22-6
3	Screw, hex. cap 1/4-20x5/8" (2) 48	X-132-5	13	Washer, internal tooth #6 (2) 50,55	X-22-6
3	Screw, hex. cap 1/4-20x5/8" 46	X-132-5	14	Switch, ignition 47,48,107	238011
4	Panel, instrument (Discontinued not available at Kohler Co.) 45	234867	14	Switch, ignition 50,55	151510
4	Panel 46,47,50,52	238013	14	Switch, ignition 52,105,106	151510-2
5	Spacer 45,46,47,50,52	X-400-79	14	Switch, ignition 108	238710
6	Panel, instrument (Discontinued not available at Kohler Co.) 38	234521	15	Washer, ext. tooth 31,48,50,55,100	X-22-38
7	Panel, instrument (Discontinued not available at Kohler Co.) 39	237009	16	Plate, instruction 31,47,48,50,55,100,105,106,107	220725
8	Panel, instrument 48,55	237596	16	Plate, instruction 52	151508-1
9	Washer, lock 5/16" (2) 48,55	X-21-1	17	Nut, hex. 1/4"-20 (2) 48,50,55	X-81-1
10	Nut 5/16" (2) 48,55	X-77-2	18	Washer, plain 5/16" (2) 48,50,55	X-25-5

Index Number	Description Variation Number	Part Number	Index Number	Description Variation Number	Part Number	
19	Switch, starting 4,27,31,38,39,43,45,47,48,50,52, 55,104,105,107	237851	27	Bulb, light (Discontinued not available at Kohler Co.) 103	271258	
20	Screw, hex. cap 1/4-20x1/2" (2) 48,50,55	X-5-13	28	Assembly, fuse holder (Includes 41 304 01 fuse) 47,48	41 323 02	
21	Plate, instruction 4,27,104	223073	NOT ILLUSTRATED			
21	Plate, instruction 38,39,43,45,101,105,106	236654	Fuse 47,48			41 304 01
22	Switch, ignition 4,27,104	275713	Lead, green (4"-18 gauge - insulated grip barrel eyelets) (Discontinued not available at Kohler Co.)			
23	Light, generator (Discontinued not available at Kohler Co.) 103	271784	55			25 518 04
24	Kit, ignition switch (Includes 15,16 [220725]) 31,100	223072-S	Lead, black (21"-14 gauge - insulated grip barrel eyelets)			
25	Switch, Igniton 38,39,43,45,101	236435	55			47 518 23
26	Resistor (Discontinued not available at Kohler Co.) 103	243970				

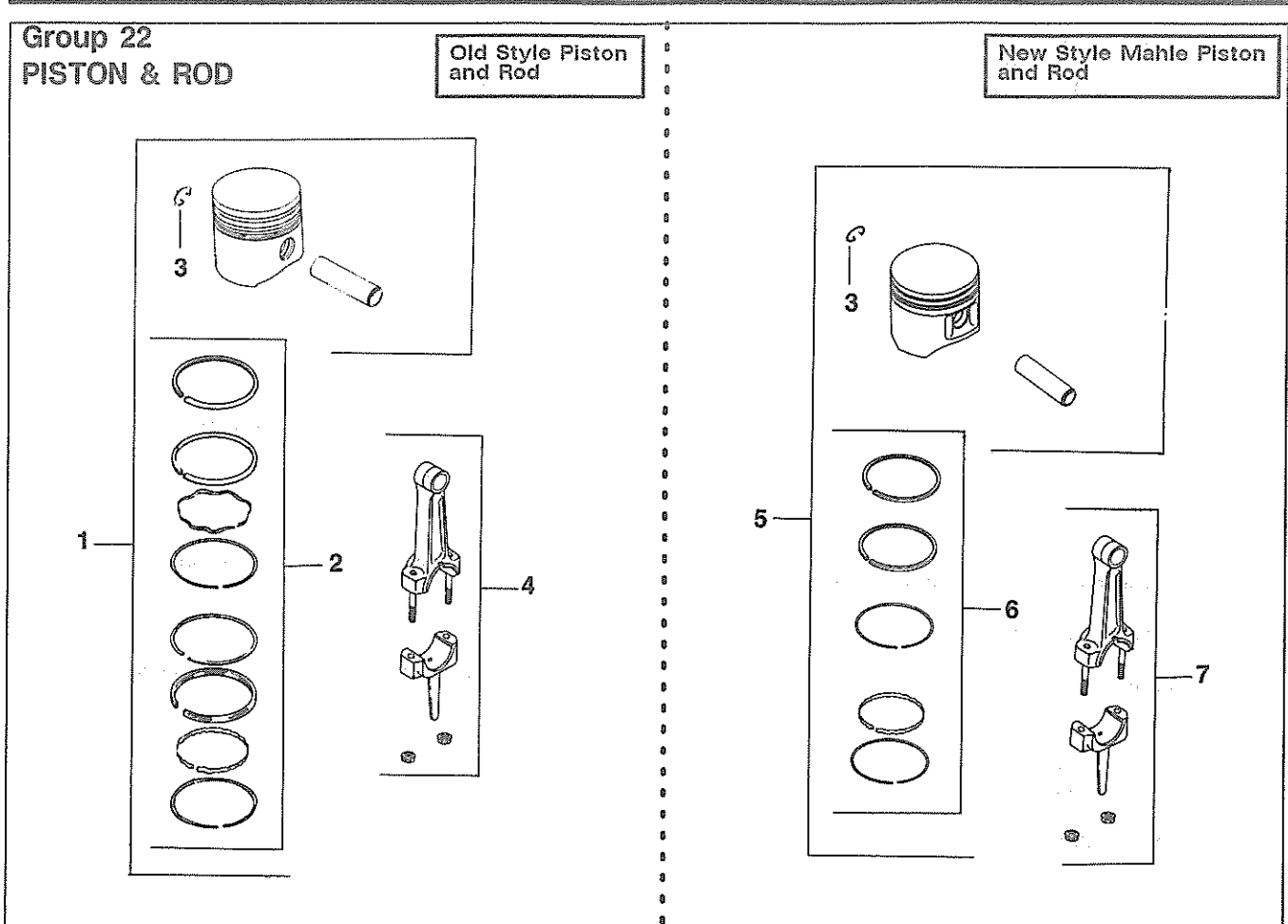
K181

Group 21 OIL PAN



Index Number	Description Variation Number	Part Number	Index Number	Description Variation Number	Part Number
1	Base, oil pan - Standard (Drain opposite carburetor) 1,20,21,27,51,52,62,64,70,76,79	41 199 07	1	Base, oil pan (Drain on carburetor side) (Discontinued not available at Kohler Co.) 69	232815
1	Base, oil pan (Double drain) 5,22,23,34,59,83	41 199 06	1	Base, oil pan (Drain on carburetor side) (Discontinued not available at Kohler Co.) 72	232915
1	Base, oil pan (Drain on P.T.O side) 36,43,44	41 199 10	2	Gasket, oil pan ALL	41 041 03
1	Base, oil pan (Drain on P.T.O. side) (Discontinued not available at Kohler Co.) 40	231610	3	Screw, hex. head 5/16-18x1-5/8" (2) 21,34	230992
1	Base, oil pan (Bottom drain) 48,82	41 199 08	4	Screw, hex. cap sems 5/16-18x1-1/4" (3) 85,88	X-154-4
1	Base, oil pan (Bottom drain) (Discontinued not available at Kohler Co.) 87	41 199 02	4	Screw, hex. cap sems 5/16-18x1-1/4" (4) 23	X-154-4
1	Base, oil pan (Bottom drain) 88	41 199 03	5	Screw, hex. cap sems 5/16-18x1-1/8" 85,88	X-154-3
1	Base, oil pan (Drain opposite carburetor) 58	41 199 05	5	Screw, hex. cap sems 5/16-18x1-1/8" (4) 1,5,43,82	X-154-3

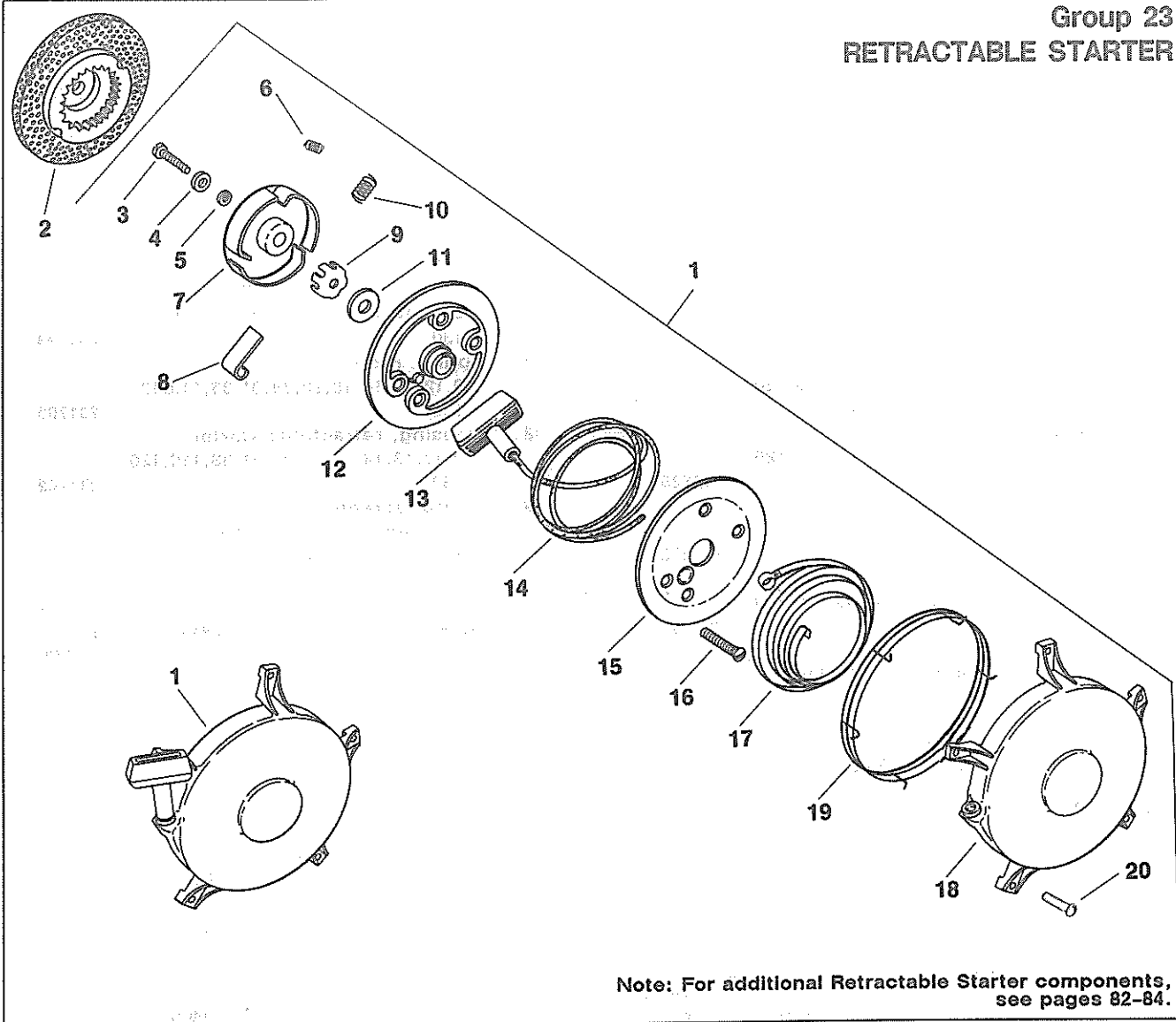
6	Base, oil pan (Generator set - drain opposite carburetor) (Discontinued not available at Kohler Co.) 11,16	230102	14	Plug, drain 3/8" hex. head (Discontinued not available at Kohler Co.) 82	234661
7	Base, oil pan (Double drain) 55,86	230880	15	Plug, drain 1/2" (Discontinued not available at Kohler Co.) 22	X-305-1
7	Base, oil pan (Bottom drain) 84,85	237788	16	Plug, drain 1/2" square head 1,5,11,16,20,21,34,40,43,44,51, 52,59,62,72,80,84,85	X-75-28
8	Plug, drain 9/16" hex. head (Discontinued not available at Kohler Co.) 79	241062	16	Plug, drain 1/2" square head (2) 23,84,86	X-75-28
9	Gasket, drain plug (Discontinued not available at Kohler Co.) 79	241063	16	Plug, drain 3/8" square head 48,87,88	X-75-10
10	Tube, oil drain (Discontinued not available at Kohler Co.) 79	234103	17	Plug, cap (Discontinued not available at Kohler Co.) 64,70,76	X-268-5
11	Coupler (Discontinued not available at Kohler Co.) 59	232599	18	Plug, drain 1/2" hex. countersunk (Discontinued not available at Kohler Co.) 27,36	X-75-30
12	Nipple 1/2x2-1/2" 59	X-209-3	18	Plug, drain 1/2" hex. countersunk (2) 55	X-75-30
12	Nipple 1/2x2" (Discontinued not available at Kohler Co.) 64	X-209-6	18	Plug, drain 3/8" hex. countersunk 69	X-75-32
12	Nipple 1/2x3-1/2" (Discontinued not available at Kohler Co.) 70	153434	19	Plug, drain 1/8" square countersunk 5,22,83	X-75-3
12	Nipple 1/2x1-3/16" 76	X-209-2			
13	Elbow, street 90° 70	X-211-1			



Index Number	Description Variation Number	Part Number	Index Number	Description Variation Number	Part Number
OLD STYLE PISTON DESIGN:			NEW STYLE MAHLE PISTON DESIGN:		
1	Ring set - Standard & .003 9,15,16	232575	5	Ring set - Standard & .003 9,15,16	41 108 01
1	Ring set - .010 9,15,16	232576	5	Ring set - .010 9,15,16	41 108 02
1	Ring set - .020 9,15,16	232577	5	Ring set - .020 9,15,16	41 108 03
1	Ring set - .030 9,15,16	232578	5	Ring set - .030 9,15,16	41 108 04
2	Piston with Ring Set - Standard 9,15,16	41 874 05	6	Piston with Ring Set - Standard 9,15,16	41 874 10
2	Piston with Ring Set - .003 9,15,16	41 874 06	6	Piston with Ring Set - .003 9,15,16	41 874 11
2	Piston with Ring Set - .010 9,15,16	41 874 07	6	Piston with Ring Set - .010 9,15,16	41 874 12
2	Piston with Ring Set - .020 9,15,16	41 874 08	6	Piston with Ring Set - .020 9,15,16	41 874 13
2	Piston with Ring Set - .030 9,15,16	41 874 09	6	Piston with Ring Set - .030 9,15,16	41 874 14
3	Piston pin retainer (2) 9,15,16	230004	7	Connecting Rod - Std. 9,15,16	41 067 08
4	Connecting Rod - Std. 9,15,16	41 067 10	7	Connecting Rod - .010 9,15,16	41 067 09
4	Connecting Rod - .010 9,15,16	41 067 11			

Note: Order parts according to style used on engine.

Group 23
RETRACTABLE STARTER



Note: For additional Retractable Starter components, see pages 82-84.

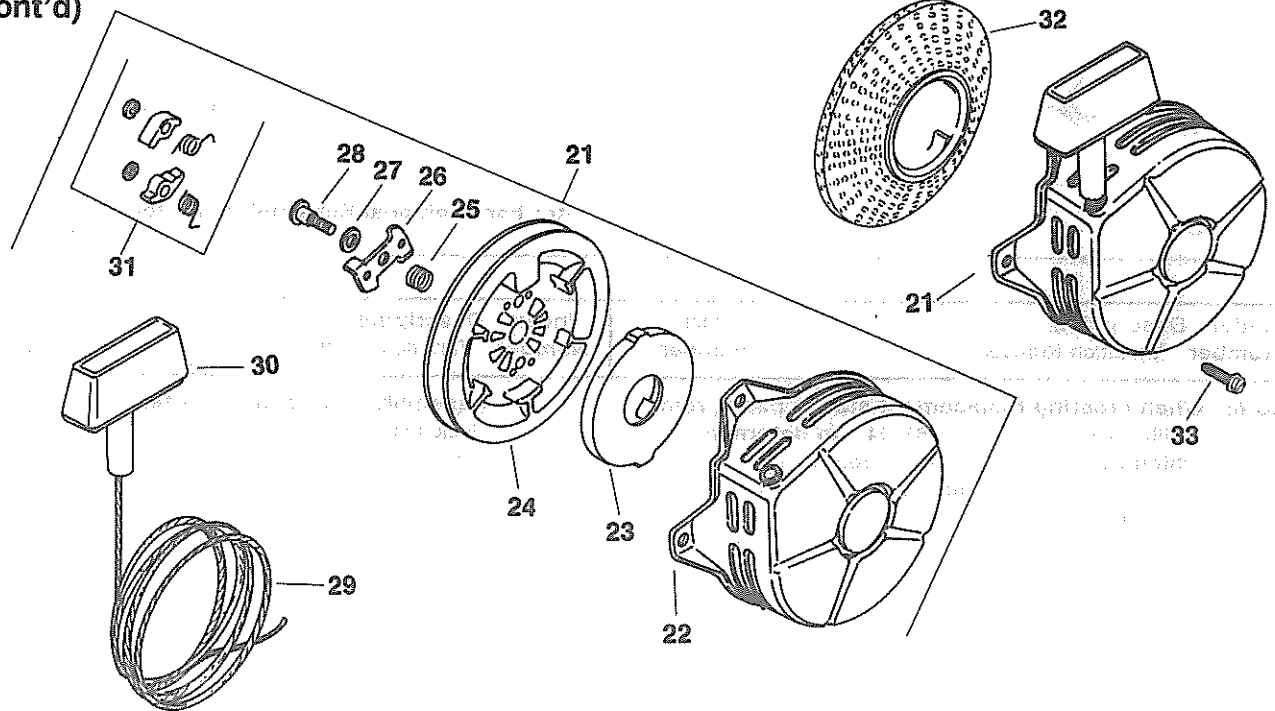
Index Number	Description Variation Number	Part Number	Index Number	Description Variation Number	Part Number
<p>Note: When ordering replacement starter parts, refer to illustrations on pgs. 81-84, to determine which starter breakdown to follow.</p>					
1	Assembly, retractable starter (Includes 3-18) (Replaced by 41 755 26) (Before serial no. 13078958 replace individual starter components with 41 165 01 assembly breakdown, after serial no. 13078957, use 41 165 04 breakdown. For complete starter replacement use 41 755 26) 9,13,18,22,33,110,120,130	41 165 01	1	Assembly, retractable starter (Includes 3-18) (Discontinued not available at Kohler Co.) 14	A-232974
1	Assembly, retractable starter (Includes 3-18) (Discontinued not available at Kohler Co.) 12	A-232784	1	Assembly, retractable starter (Includes 3-18) 24,31	41 165 05
			2	Cup, drive w/screen 9,13,18,22,33,110,120,130 Before serial no. 13078958 use: After serial no. 13078957 use:	41 071 02 41 071 06
			2	Cup, drive w/screen 12,14,24,31	41 071 02
			3	Screw, hex. head 10-32x5/8" 9,12,13,14,18,22,24,31,33,110,120,130	231691
			4	Washer 9,12,13,14,18,22,24,31,33,110,120,130	231690

RETRACTABLE STARTER
(Cont'd)

K181

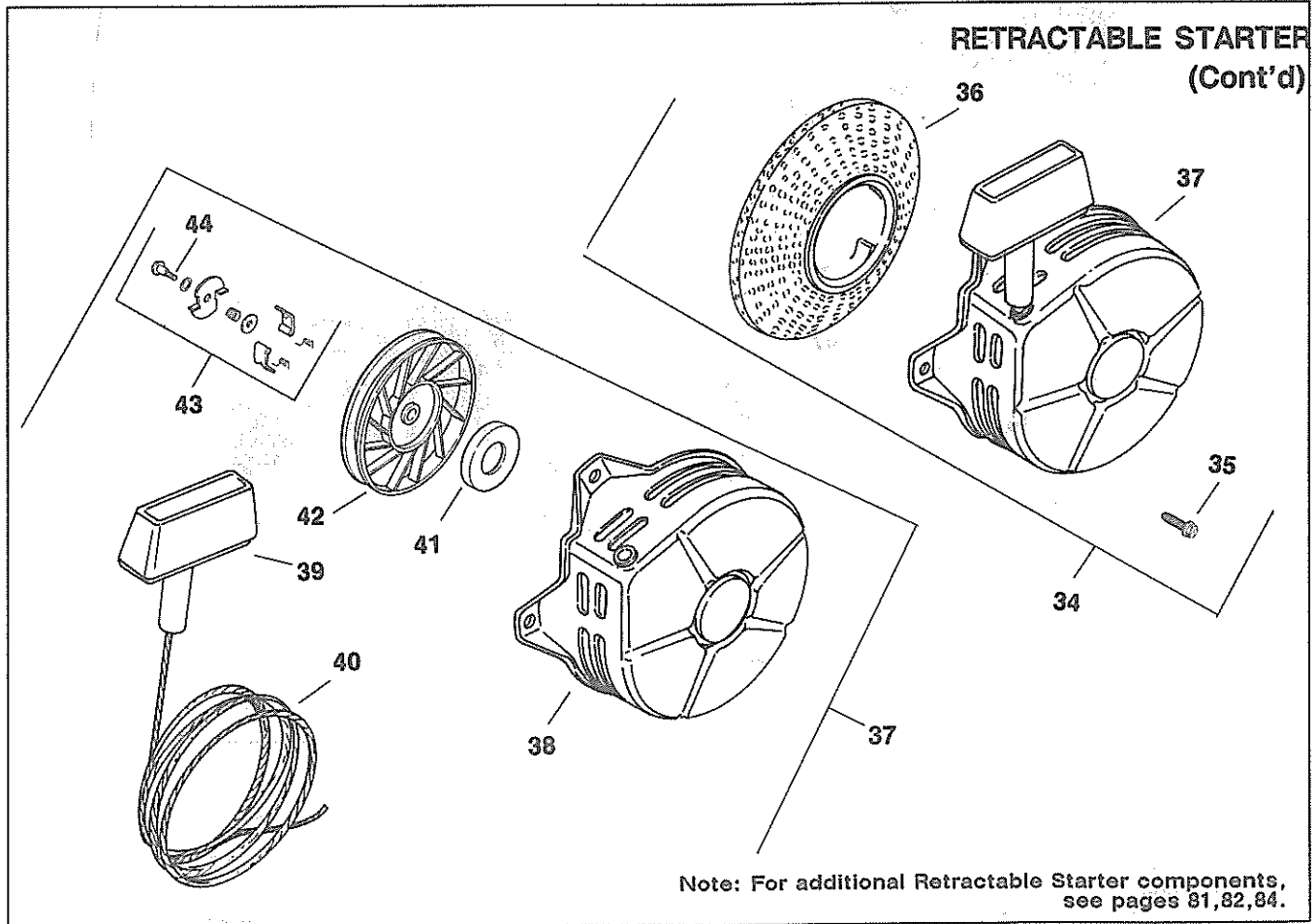
Index Number	Description Variation Number	Part Number	Index Number	Description Variation Number	Part Number
5	Washer 9, 12, 13, 14, 18, 22, 24, 31, 33, 110, 120, 130	231693	14	Rope #6 nylon 78"	231686
6	Spring, dog (3) 9, 13, 18, 22, 24, 31, 33, 110, 120, 130	41 089 06	14	Rope #6 nylon 84"	232962
7	Retainer 9, 12, 13, 14, 18, 22, 24, 31, 33, 110, 120, 130	231699	14	14	236308
8	Dogs (3) 9, 12, 13, 14, 18, 22, 24, 31, 33, 110, 120, 130	231695	15	Sheave 9, 12, 13, 14, 18, 22, 24, 31, 33, 110, 120, 130	231685
9	Brake 9, 12, 13, 14, 18, 22, 24, 31, 33, 110, 120, 130	231689	16	Screw, flat head 10x1/2" (4) 9, 12, 13, 14, 18, 22, 24, 31, 33, 110, 120, 130	231683
10	Spring, retainer 9, 12, 13, 14, 18, 22, 24, 31, 33, 110, 120, 130	232525	17	Spring, recoil 9, 12, 13, 14, 18, 22, 24, 31, 33, 110, 120, 130	231705
11	Washer, thrust 9, 12, 13, 14, 18, 22, 24, 31, 33, 110, 120, 130	231692	18	Housing, retractable starter 9, 12, 13, 14, 18, 22, 24, 31, 33, 110, 120, 130	231702
12	Pulley 9, 12, 13, 14, 18, 22, 24, 31, 33, 110, 120, 130	231697	19	Guard, screen (Use before serial no. 13078958) (Discontinued not available at Kohler Co.) (Use 41 755 26 retractable starter kit) 9	41 314 01
13	Handle 9, 12, 13, 14, 18, 22, 24, 31, 33, 110, 120, 130	234452	20	Screw, pan hd. sems 10-24x1-3/4" (5) 24	X-136-2
14	Rope #6 nylon 66"		20	Screw, pan hd. sems 10-24x1-3/4" (5) 9, 22 (After serial no. 13078957 use 41 086 06)	X-136-2

RETRACTABLE STARTER
(Cont'd)



Note: For additional Retractable Starter components, see pages 81, 83, 84.

Index Number	Description Variation Number	Part Number	Index Number	Description Variation Number	Part Number
21	Assembly retractable starter (Includes 22-31) (After serial no. 130789858, but before serial no. 1802800012, replace individual components w/ 41 165 04 breakdown; for complete starter replacement use 41 755 26) 9, 13, 14, 18, 22, 24, 33, 110, 120, 130	41 165 04	27	Washer 9, 13, 14, 18, 22, 24, 33, 110, 120, 130	41 468 02
22	Housing 9, 13, 14, 18, 22, 24, 33, 110, 120, 130	41 095 08	28	Screw 9, 13, 14, 18, 22, 24, 33, 110, 120, 130	41 086 09
23	Spring & brake 9, 13, 14, 18, 22, 24, 33, 110, 120, 130	41 089 07	29	Rope, starting (Replaced by 15 160 01) 9, 13, 14, 18, 22, 24, 33, 110, 120, 130	41 160 01
24	Pulley 9, 13, 14, 18, 22, 24, 33, 110, 120, 130	41 093 05	30	Handle 9, 13, 14, 18, 22, 24, 33, 110, 120, 130	234452
25	Spring, brake 9, 13, 14, 18, 22, 24, 33, 110, 120, 130	41 089 09	31	Kit, dog repair 9, 13, 14, 18, 22, 24, 33, 110, 120, 130	41 757 02
26	Cam, dog 9, 13, 14, 18, 22, 24, 33, 110, 120, 130	41 149 01	32	Cup, drive w/screen (Use after serial no. 130789858, but before serial no. 1802800012, after serial no. 1802800002 use 41 071 07) 9, 13, 14, 18, 22, 24, 33, 110, 120, 130	41 071 06
			33	Screw, flange lock 10-24x1/4" (5) (Use after serial no. 130789858) 9, 13, 14, 18, 22, 24, 33, 110, 120, 130	41 086 06



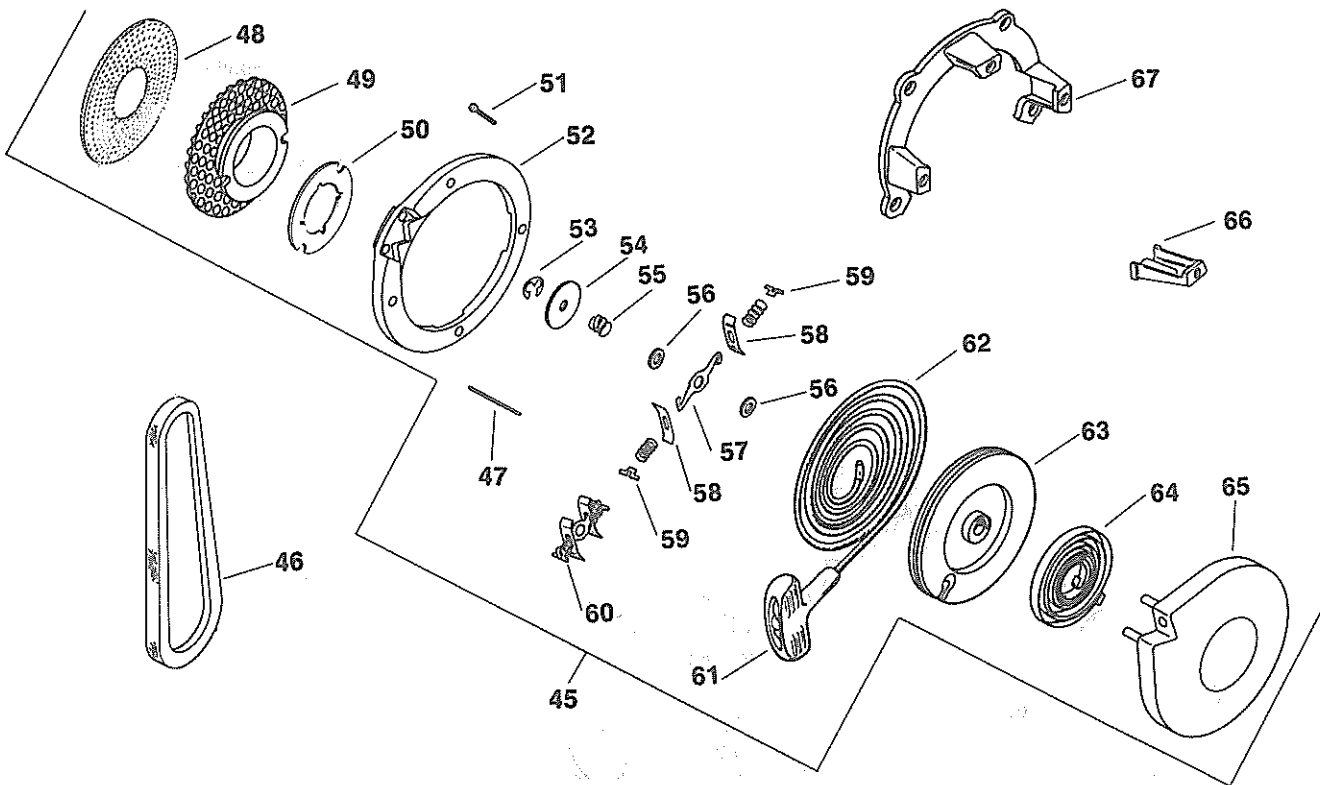
Index Number	Description Variation Number	Part Number	Index Number	Description Variation Number	Part Number
34	Kit, retractable starter assembly (Includes 35-37) 9, 13, 18, 22, 33, 110, 120, 130	41 755 26	35	Screw, flange, lock 10-24x1/4" (5) 9, 13, 18, 22, 33, 110, 120, 130	41 086 06

RETRACTABLE STARTER
(Cont'd)

K181

Index Number	Description Variation Number	Part Number	Index Number	Description Variation Number	Part Number
36	Cup and screen assembly 9,13,18,22,33,110,120,130	41 071 07	41	Spring and keeper 9,13,18,22,33,110,120,130	12 089 06
37	Starter, retractable assembly (Includes 38-44) 9,13,18,22,33,110,120,130	41 165 06	42	Pulley 9,13,18,22,33,110,120,130	41 093 10
38	Housing 9,13,18,22,33,110,120,130	41 081 04	43	Kit, pawl (dog) repair 9,13,18,22,33,110,120,130	41 757 07
39	Handle, recoil starter 9,13,18,22,33,110,120,130	41 166 01	44	Screw, pozidriv 9,13,18,22,33,110,120,130	41 086 09
40	Rope 9,13,18,22,33,110,120,130	15 160 01			

RETRACTABLE STARTER
(Cont'd)

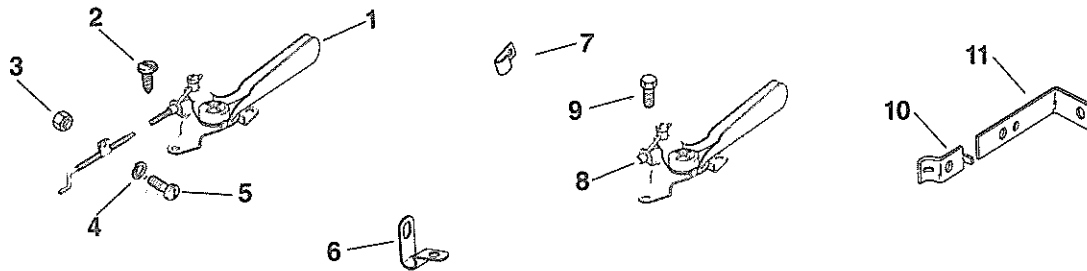


Note: For additional Retractable Starter components, see pages 81-83.

Index Number	Description Variation Number	Part Number	Index Number	Description Variation Number	Part Number
45	Assembly, retractable starter (Fairbanks - Morse starter) (Includes 47-67) (Discontinued not available at Kohler Co.)	A-231268	49	Cup and screen 15	A-231269
46	Belt, drive 15	231265	50	Ring, plate (Discontinued not available at Kohler Co.) 15	231302
47	Pin, centering (Discontinued not available at Kohler Co.) 15	231539	51	Screw, machine (4) 15	230788
48	Screen 15	231301	52	Flange, intermediate 15	230789
			53	Ring, retaining 15	230790

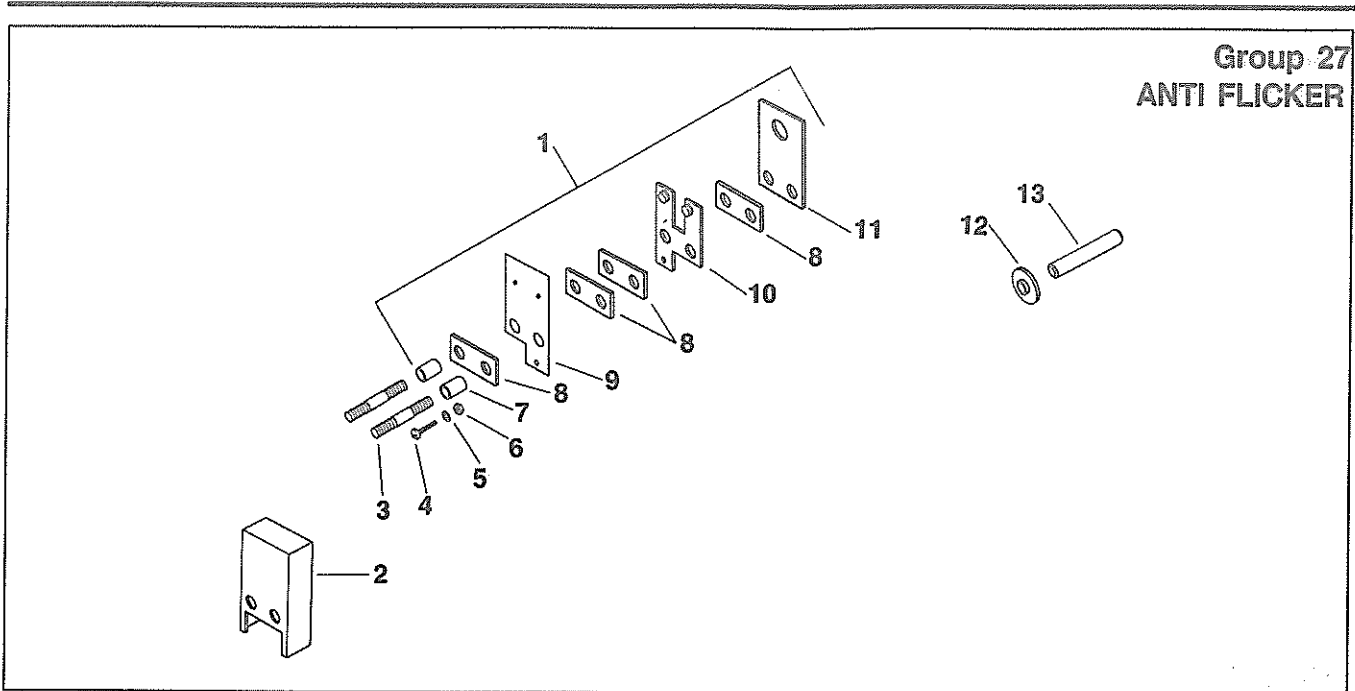
Index Number	Description Variation Number	Part Number	Index Number	Description Variation Number	Part Number
54	Washer, brake retainer 15	230791	61	Handle, starter 15	234452
55	Spring, brake 15	220613	62	Rope, starter 15	231538
56	Washer, fiber (2) 15	220615	63	Rotor, starter 15	230793
57	Lever, brake (Discontinued not available at Kohler Co.) 15	220617	64	Spring, rewind 15	230794
58	Plate, friction shoe (2) (Discontinued not available at Kohler Co.) 15	220618	65	Cover, starter 15	230796
59	Plate, spring retainer (2) (Discontinued not available at Kohler Co.) 15	220620	66	Flange, leg mounting 15	232593
60	Shoe, friction (2) 15	A-220616	67	Flange, mounting (Discontinued not available at Kohler Co.) 15	231299

**Group 24
REMOTE THROTTLE**



Index Number	Description Variation Number	Part Number	Index Number	Description Variation Number	Part Number
<p>Note: To simplify stock requirements, throttle levers are furnished only in certain cable lengths. When using the replacement lever, the cable and casing may require cutting to match the length of the unit it replaces. Instructions will be packaged with these replacement levers.</p>			3	Nut, hex #8-32 37	X-72-4
1	Lever, throttle (15" cable) 1	230326-1	4	Washer, lock #8 1,37	X-18-2
1	Lever, throttle (15" cable) (Discontinued not available at Kohler Co.) 28	234507	5	Screw, pan head 8-32x3/8" 1,37	X-51-12
1	Lever, throttle (51" cable) 7,12	225011-2	6	Clip, cable 1/2" 1,5,6,7,8,12,17,25,28,37,301,302, 303,305	210149
1	Lever, throttle (72" cable) 6,8	225011-6	7	Clip, cable 3/4" 22	235173
1	Lever, throttle (40" cable) 37,301,302,303	225011-7	7	Clip, cable 3/4" 22,35	231285
1	Lever, throttle (18" cable) (Discontinued not available at Kohler Co.) 25	230326-5	8	Lever, throttle 304	225011-1
2	Screw, self tapping 10-16x1/2" 1,37	X-67-3	9	Screw, hex. cap sems 1/4-20x1/2" 37	X-132-6
			10	Clip, cable 33	235778
			11	Bracket, choke control 17	231232

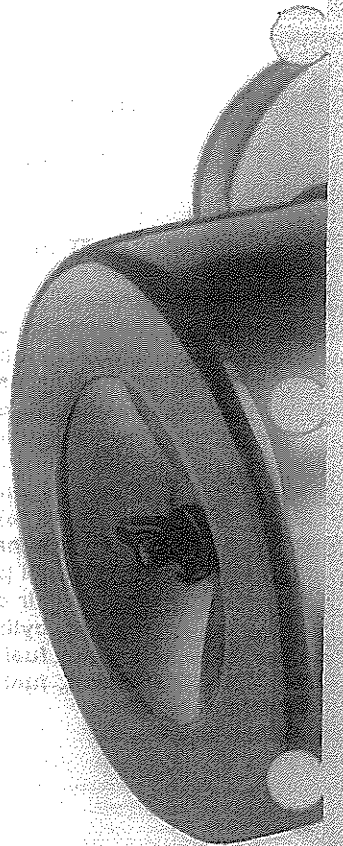
Group 27
ANTI FLICKER



Index Number	Description Variation Number	Part Number	Index Number	Description Variation Number	Part Number
1	Assembly, breaker (Includes 3-11) (Discontinued not available at Kohler Co.)	A-230282	8	Insulator, contact (4) (Discontinued not available at Kohler Co.)	230286
2	Cover, breaker	230291	9	Breaker, top (Discontinued not available at Kohler Co.)	232602
3	Stud, breaker (2) (Discontinued not available at Kohler Co.)	230283	10	Breaker, bottom (Discontinued not available at Kohler Co.)	232598
4	Screw, pan hd. 4-36x3/8" (2) (Discontinued not available at Kohler Co.)	X-49-29	11	Plate, base (Discontinued not available at Kohler Co.)	230285
5	Washer, internal tooth #4 (4)	X-22-24	12	Diaphragm (Discontinued not available at Kohler Co.)	234588
6	Nut (4)	X-74-5	13	Rod, push	X-300-3
7	Insulator, screw (2) (Discontinued not available at Kohler Co.)	230284			

K181

Description	Part Number	Description	Part Number
K181		L181	
GASKET SET (w/ seals)	41 755 06	GASKET SET (w/ seals)	41 755 07
Set Includes:		Set Includes:	
Seal, front oil	X-583-1	Seal, front oil	X-583-1
Seal, rear oil	X-583-2	Seal, rear oil	X-583-2
Gasket, air cleaner	AC-1787	Gasket, carburetor (2)	210223
Gasket, carburetor (2)	210223	Gasket, sediment bow	210468
Gasket, breaker cover	52 041 11	Gasket, breaker cover	52 041 11
Gasket, air cleaner	41 041 11	Seal, breather	230046
Seal, breather	230046	Gasket, valve cover (2)	230048
Gasket, valve cover (2)	230048	Gasket, bearing plate	230071
Gasket, bearing plate	230071	Gasket, cylinder head	230452
Shim .005 (5)	230112	Washer, relief valve	230569
Gasket, exhaust	41 041 01	Gasket, inlet elbow	230593
Gasket, oil pan	41 041 03	Gasket, air cleaner	41 041 11
Gasket, air cleaner (Quite Models)	41 041 04	Gasket, choke	240285
Gasket, cylinder head	41 041 10	Gasket, exhaust	41 041 01
Gasket, fuel pump	25 041 05	Gasket, oil pan	41 041 03
Gasket, fuel pump	25 041 09	Gasket, fuel pump	25 041 05
		Gasket, fuel pump	25 041 09
K181			
GASKET SET (w/o seals)	41 004 01		
Set Includes:			
Gasket, air cleaner	AC-1787		
Gasket, carburetor (2)	210223		
Gasket, breaker cover	52 041 11		
Gasket, air cleaner	41 041 11		
Seal, breather	230046		
Gasket, valve cover (2)	230048		
Gasket, bearing plate	230071		
SHIM .005 (5)	230112		
Gasket, exhaust	41 041 01		
Gasket, oil pan	41 041 03		
Gasket, air cleaner (Quiet Models)	41 041 04		
Gasket, cylinder head	41 041 10		
Gasket, fuel pump	25 041 05		
Gasket, fuel pump	25 041 09		



FOR SALES AND SERVICE INFORMATION
IN U.S. AND CANADA, CALL
1-800-544-2444

KOHLERengines

ENGINE DIVISION, KOHLER CO., KOHLER, WISCONSIN 53044

FORM NO.:	TP-2045-B
ISSUED:	4/84
REVISED:	12/91
MAILED:	2/92

LITHO IN U.S.A.