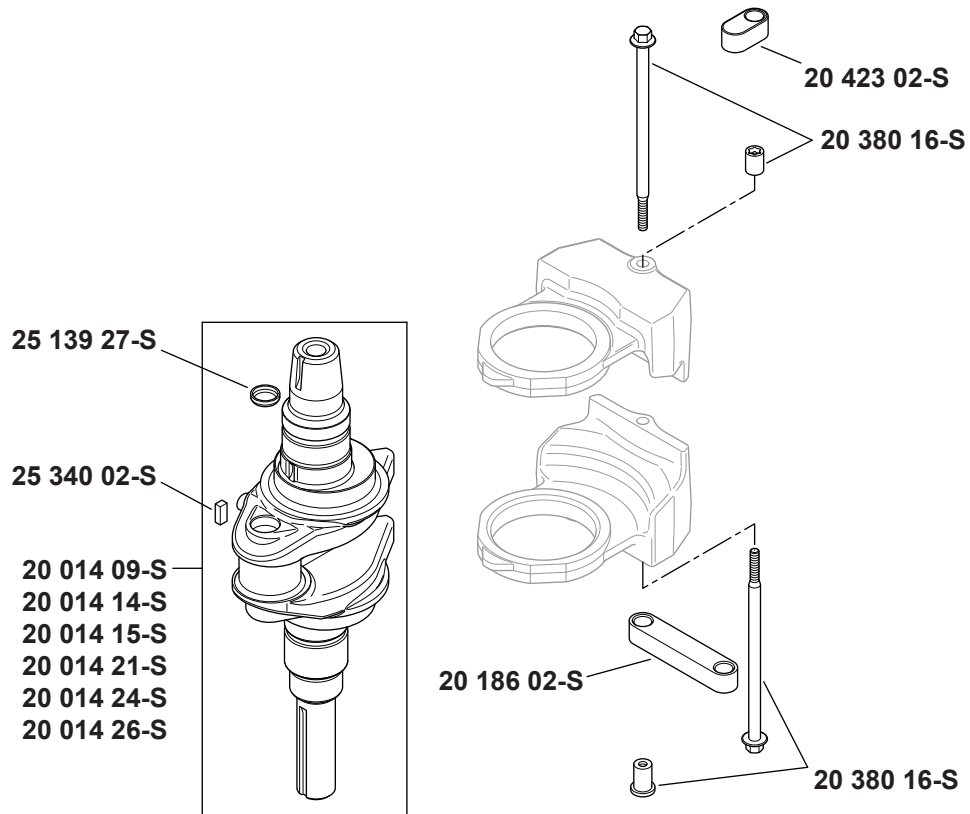
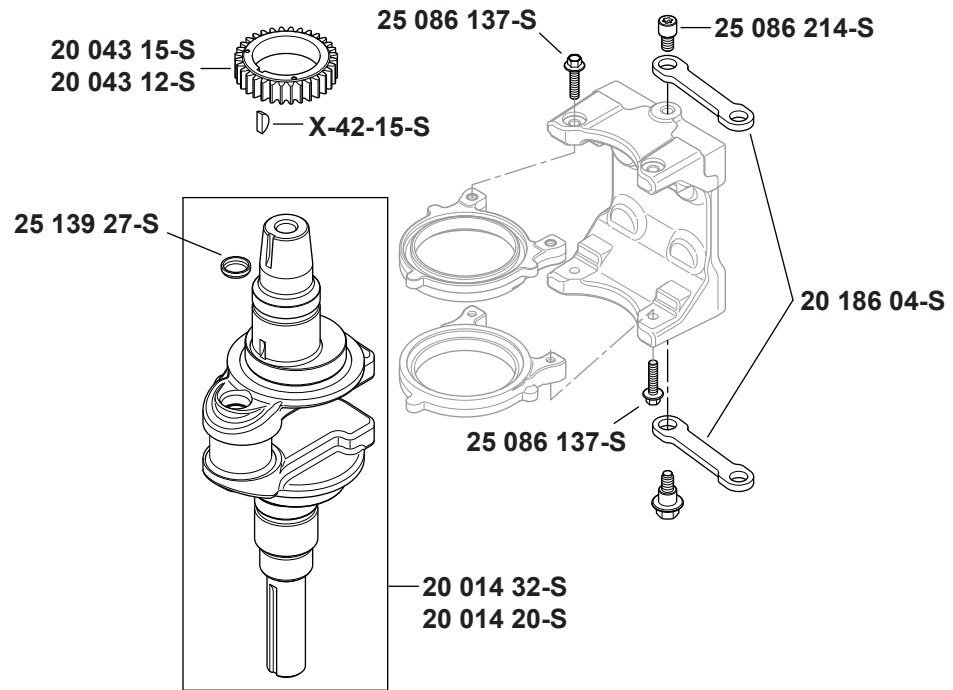
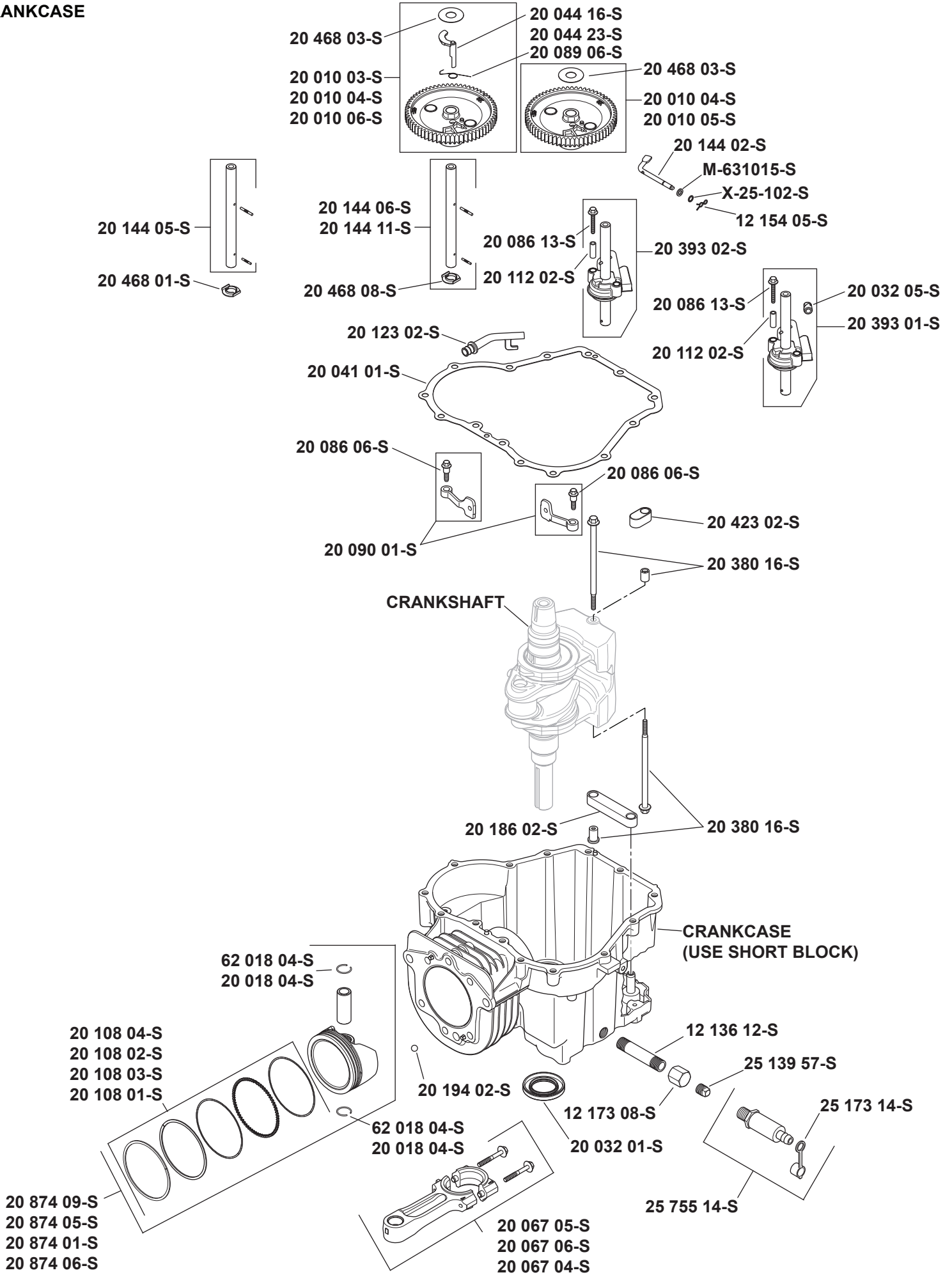


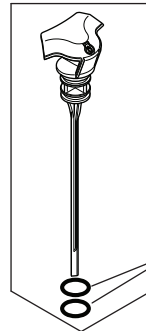
CRANKSHAFT



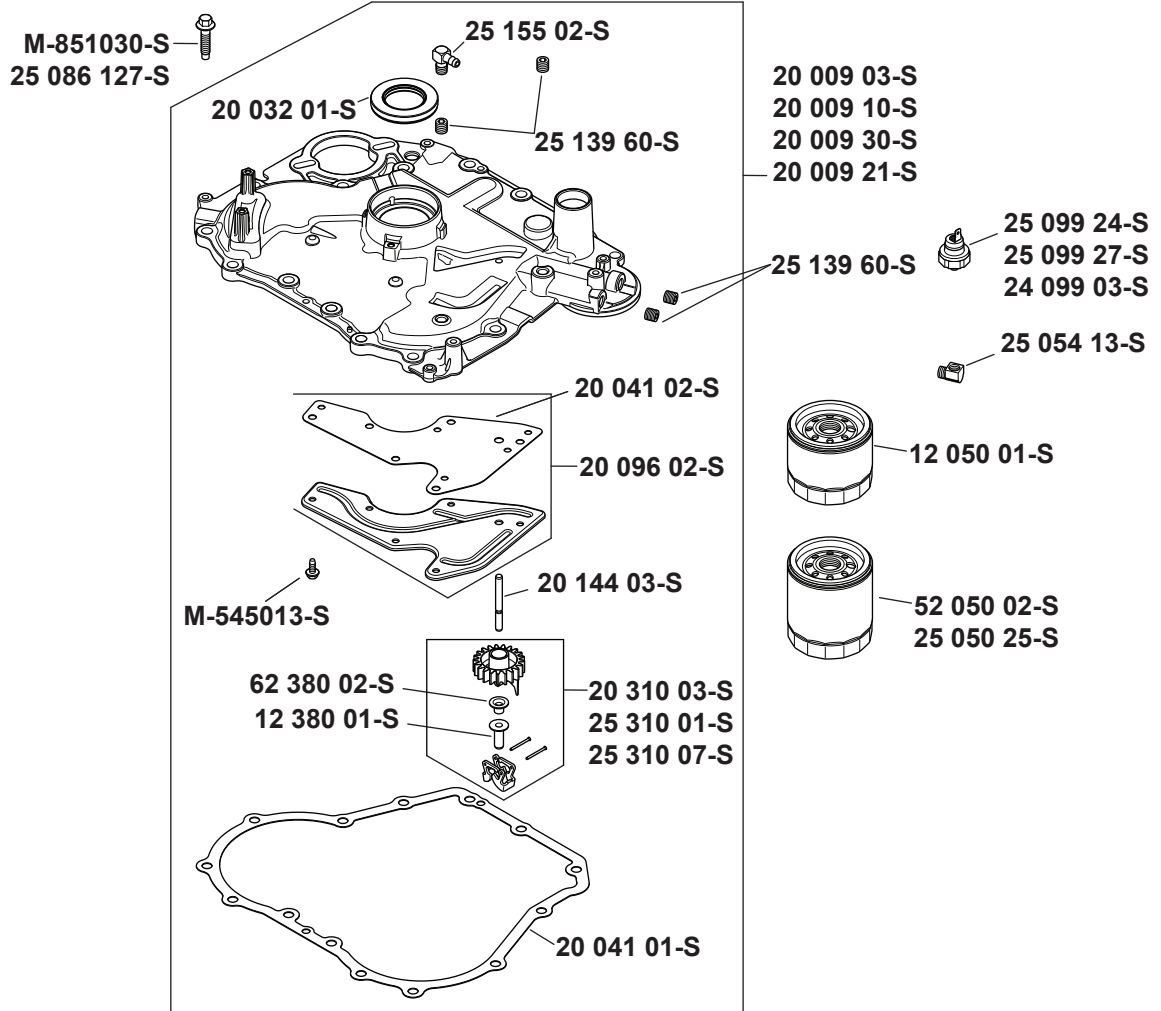
CRANKCASE



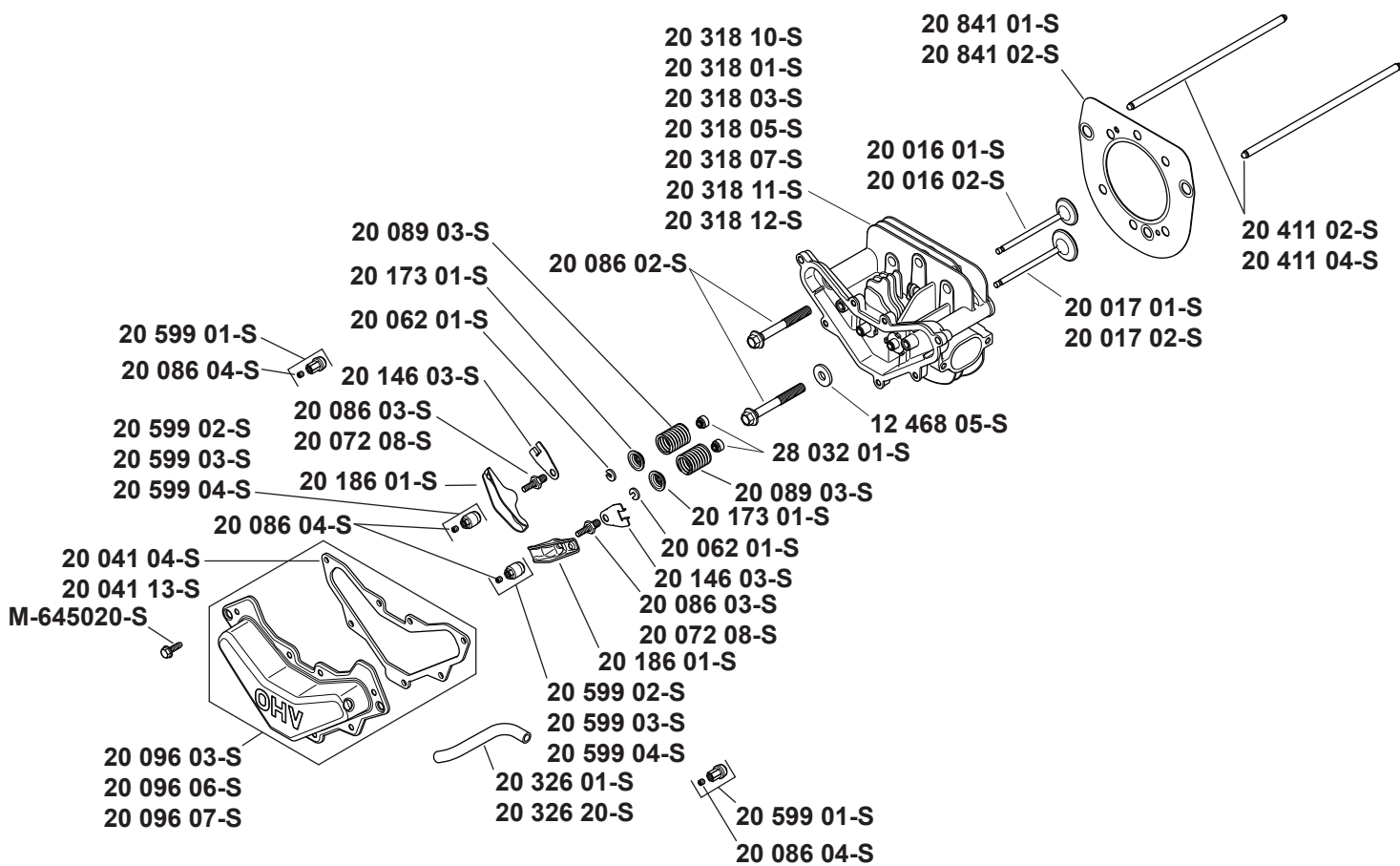
OIL PAN/LUBRICATION



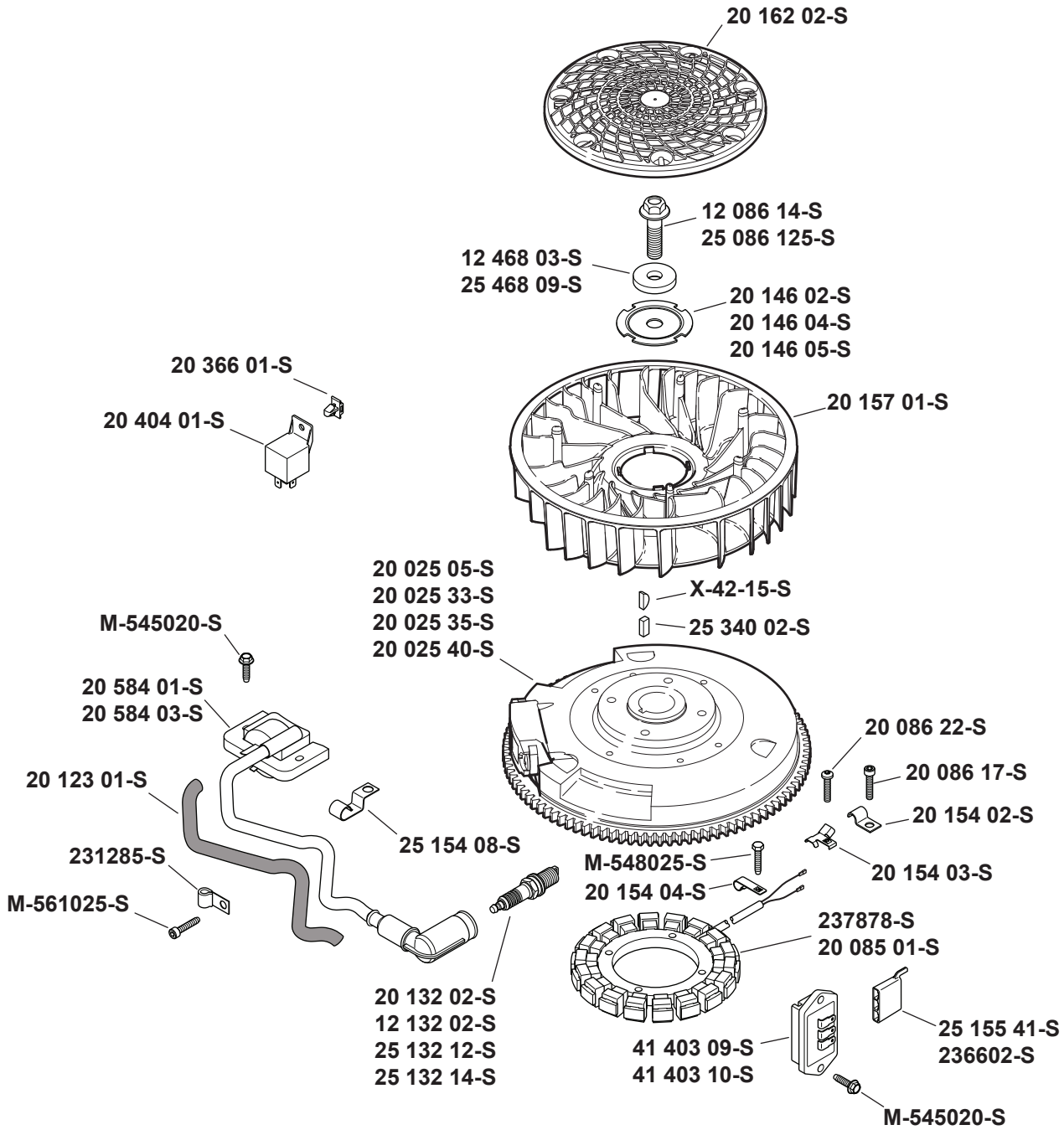
- 20 040 02-S
- 20 040 06-S
- 20 040 03-S
- 20 040 04-S
- 20 040 07-S
- 20 153 01-S



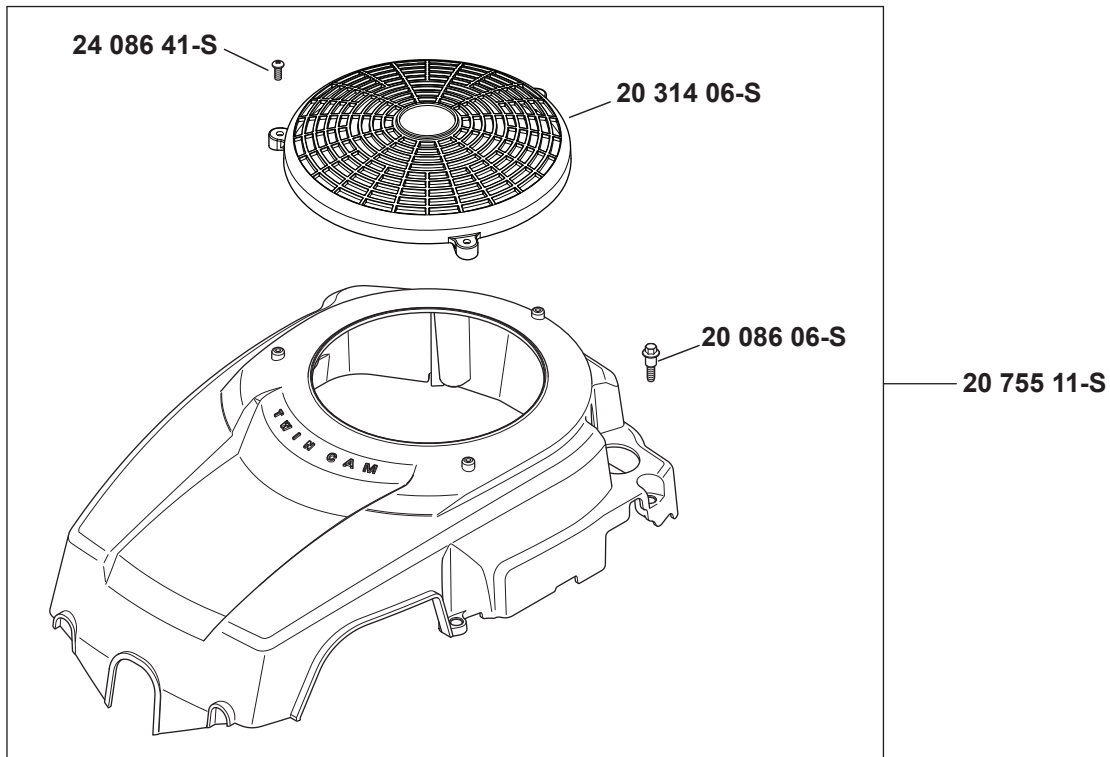
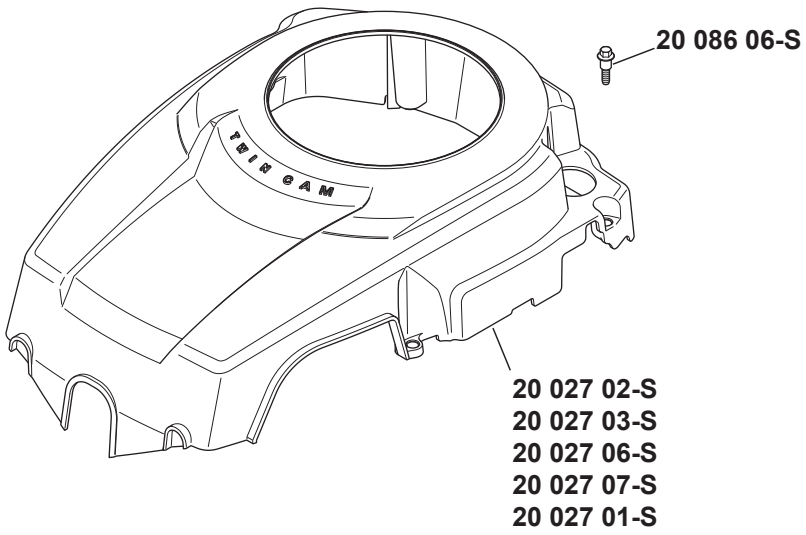
HEAD/VALVE/BREATHER



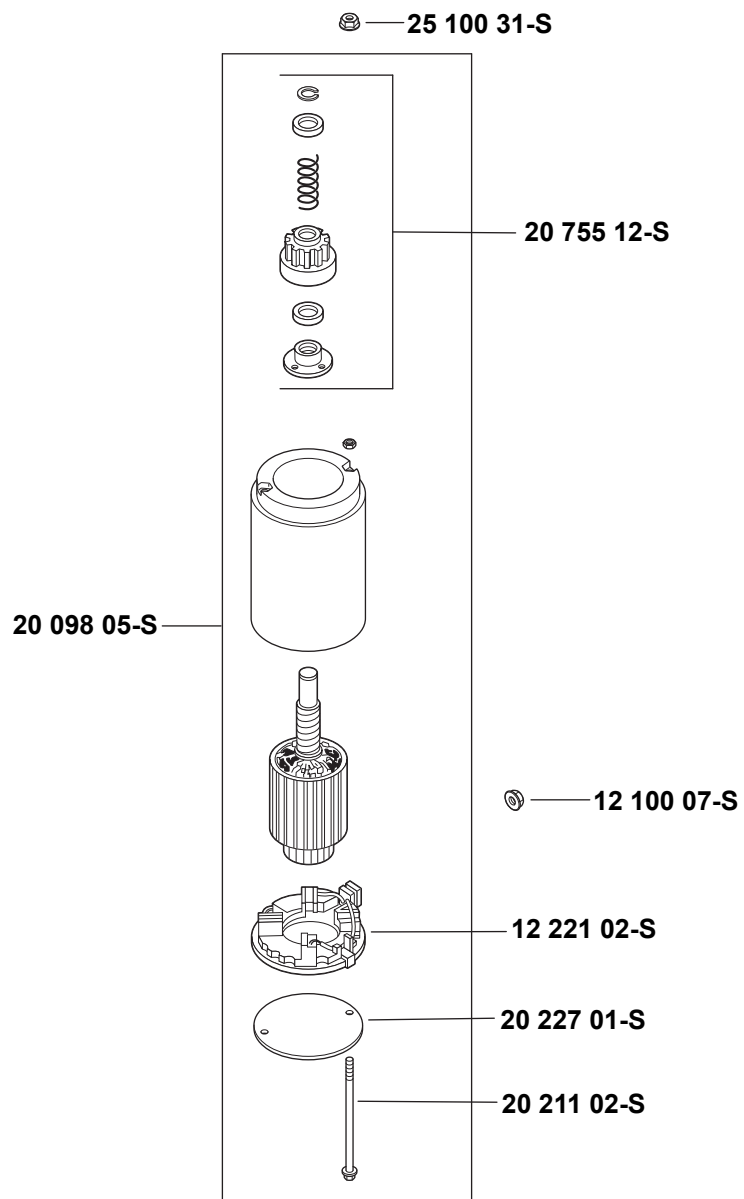
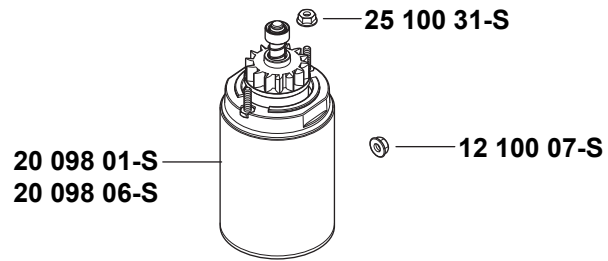
IGNITION/ELECTRICAL



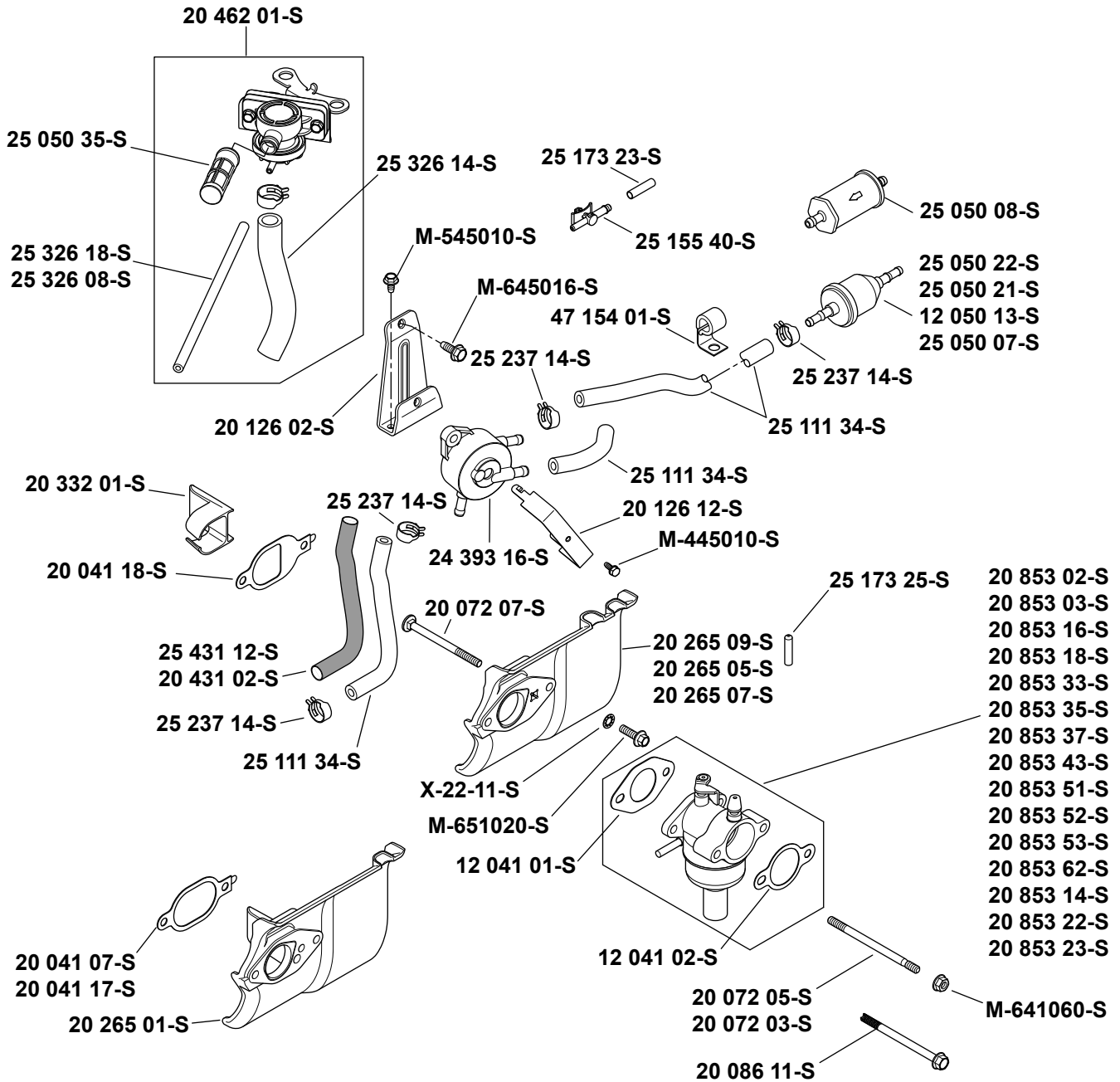
BLOWER HOUSING & BAFFLES



STARTING SYSTEM

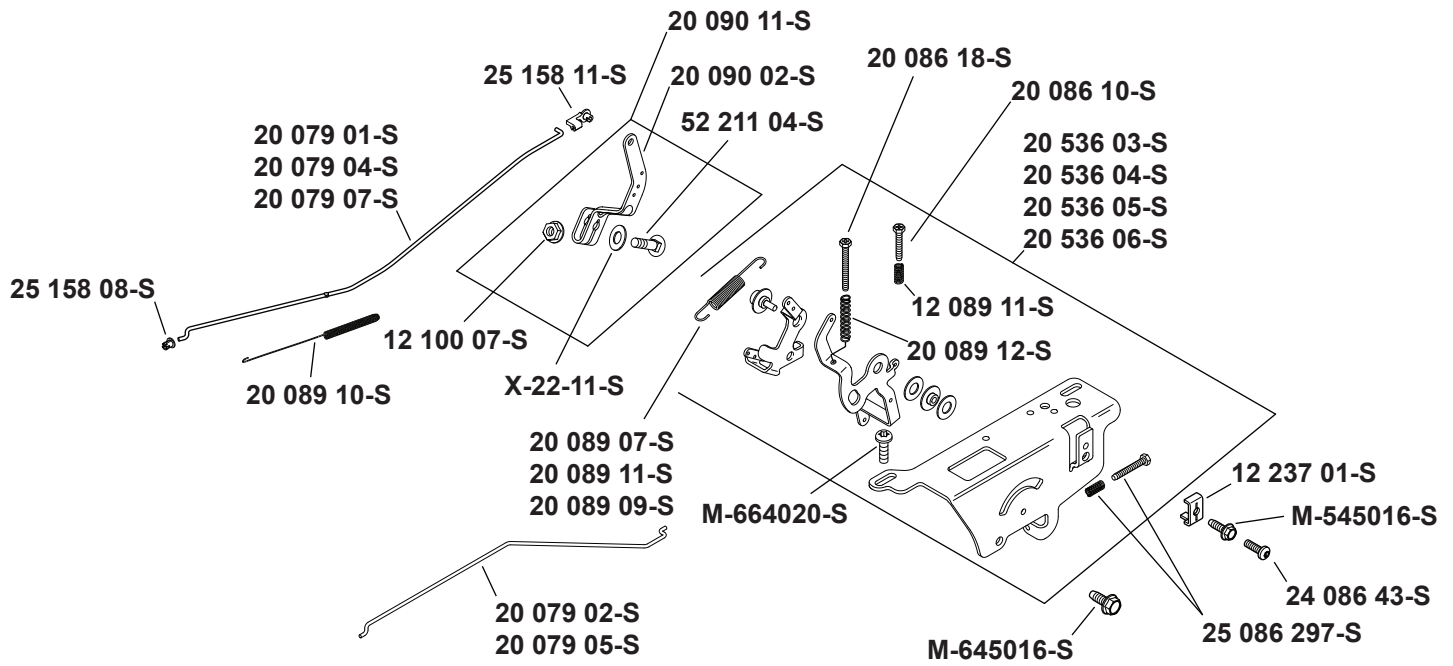


FUEL SYSTEM

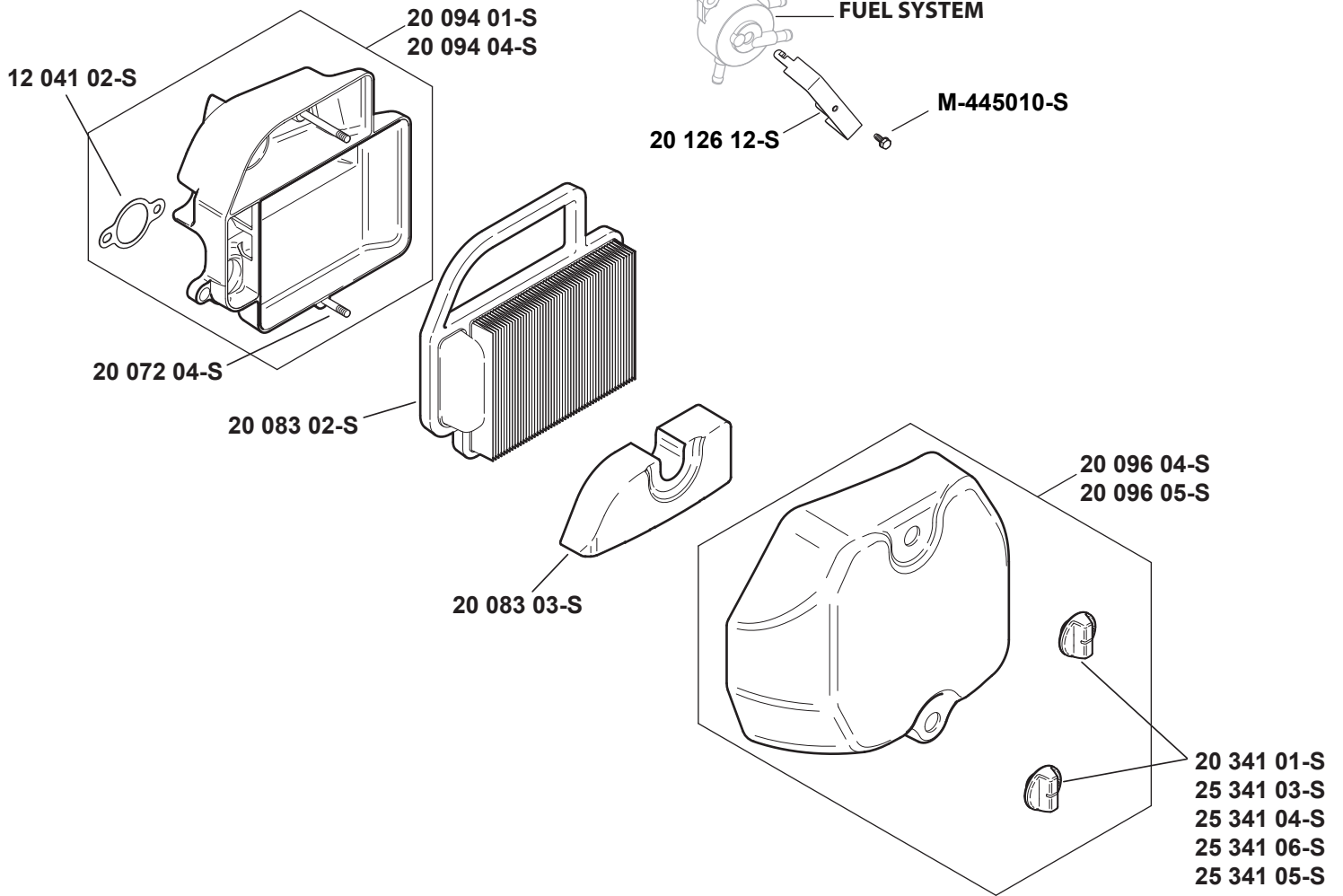


Individual Carburetor Repair Kits are listed by clicking on the notepad under the Carburetor Part Number

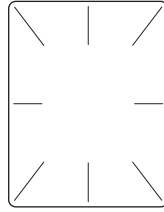
ENGINE CONTROLS



AIR INTAKE/FILTRATION



DECALS

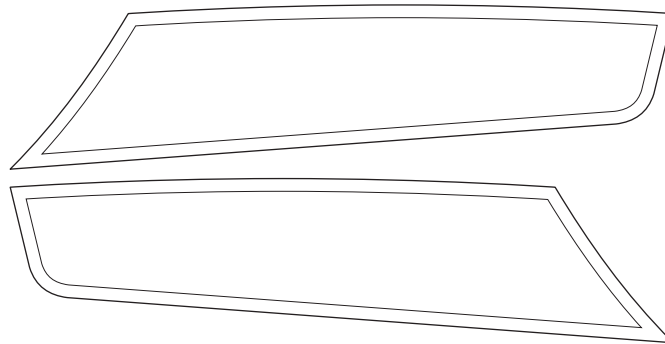
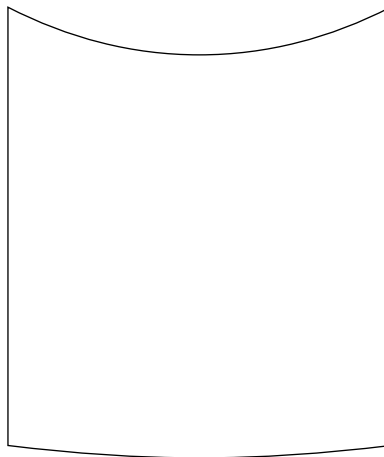


25 113 39-S



25 113 33-S

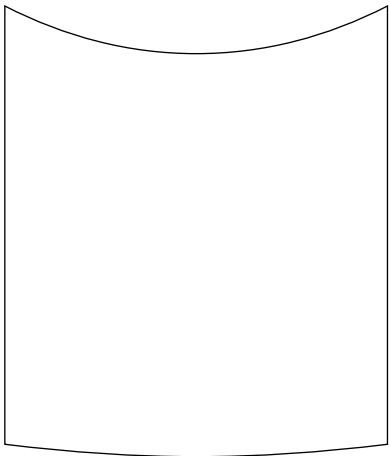
- 20 113 09-S
- 20 113 10-S
- 20 113 11-S
- 20 113 12-S
- 20 113 13-S
- 20 113 14-S
- 20 113 15-S
- 20 113 27-S
- 20 113 36-S
- 20 113 48-S
- 20 113 49-S
- 20 113 55-S
- 20 113 56-S
- 20 113 57-S
- 20 113 58-S
- 20 113 35-S
- 20 113 21-S
- 20 113 22-S
- 20 113 31-S
- 20 113 26-S
- 20 113 41-S
- 20 113 25-S
- 20 113 28-S
- 20 113 34-S
- 20 113 38-S
- 20 113 51-S



- 20 113 24-S
- 20 113 37-S
- 20 113 23-S
- 20 113 30-S
- 20 113 54-S

Artwork is representative.
Actual labels may differ depending on model and specification number.

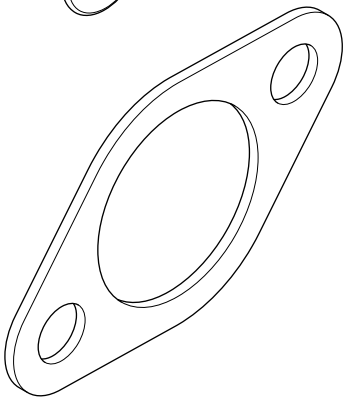
ACCESSORIES



20 113 11-S



12 100 07-S



20 041 12-S