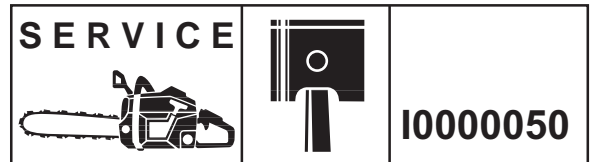


Jonsered



IPL,2141, 2145, 2150, 2000-08, 106 26 37-61

2141, 2145, 2150

Spare parts

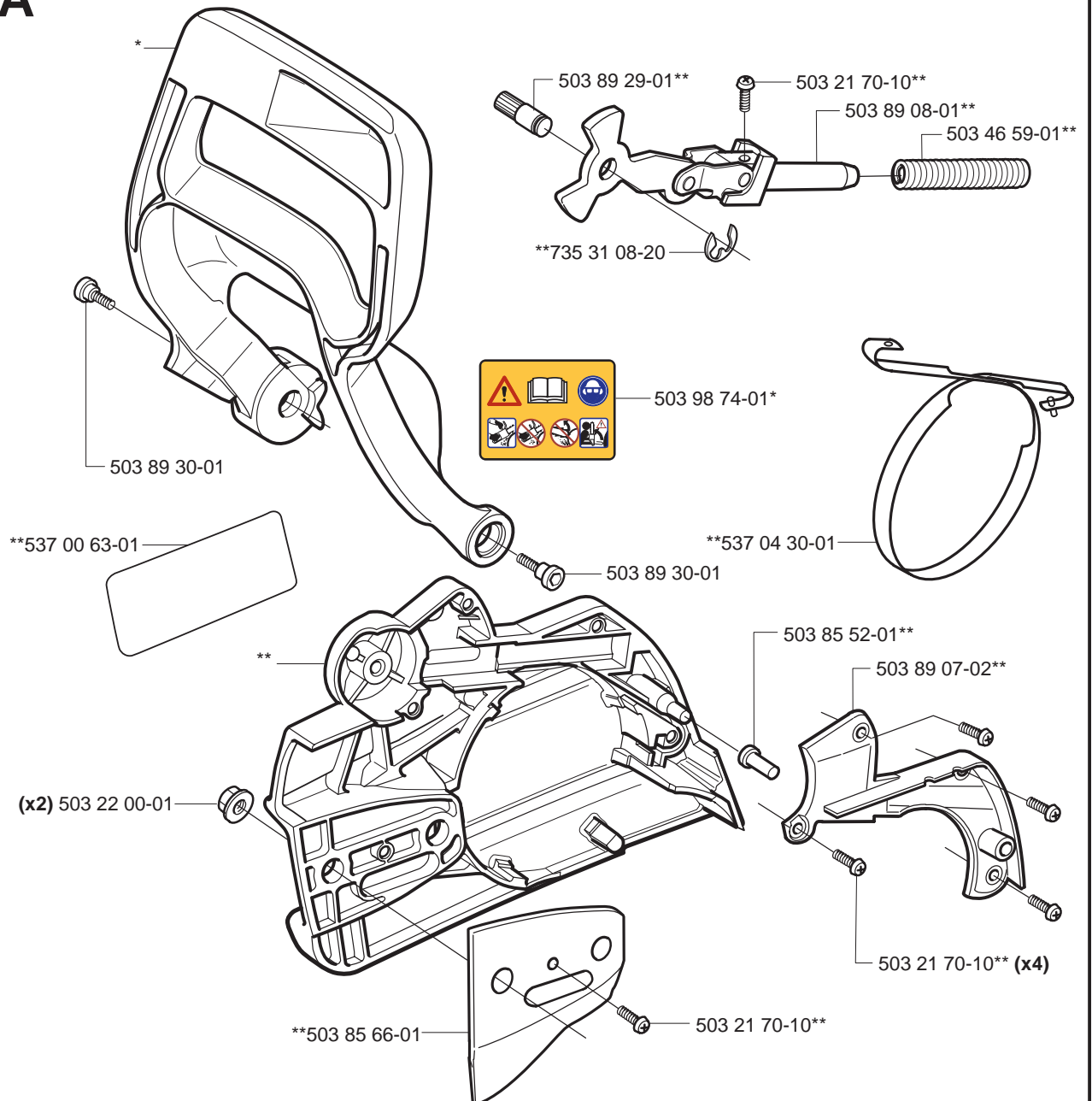
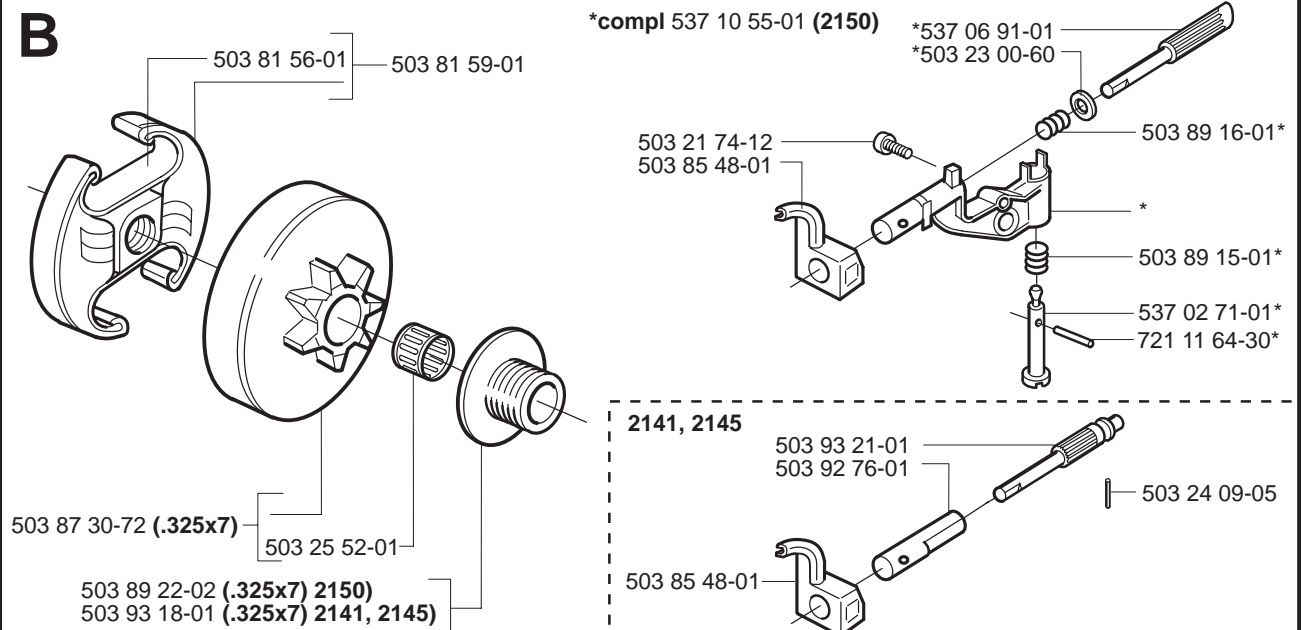
Ersatzteile

Pièces détachées

Reserve onderdelen

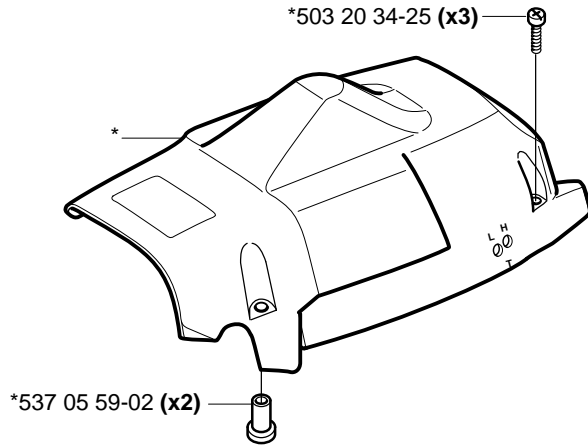
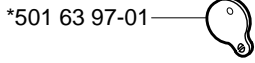
Repuestos

Reservdelar

A***compl 537 01 21-02******compl 503 99 70-01****B*****compl 537 10 55-01 (2150)*****537 06 91-01**
***503 23 00-60**

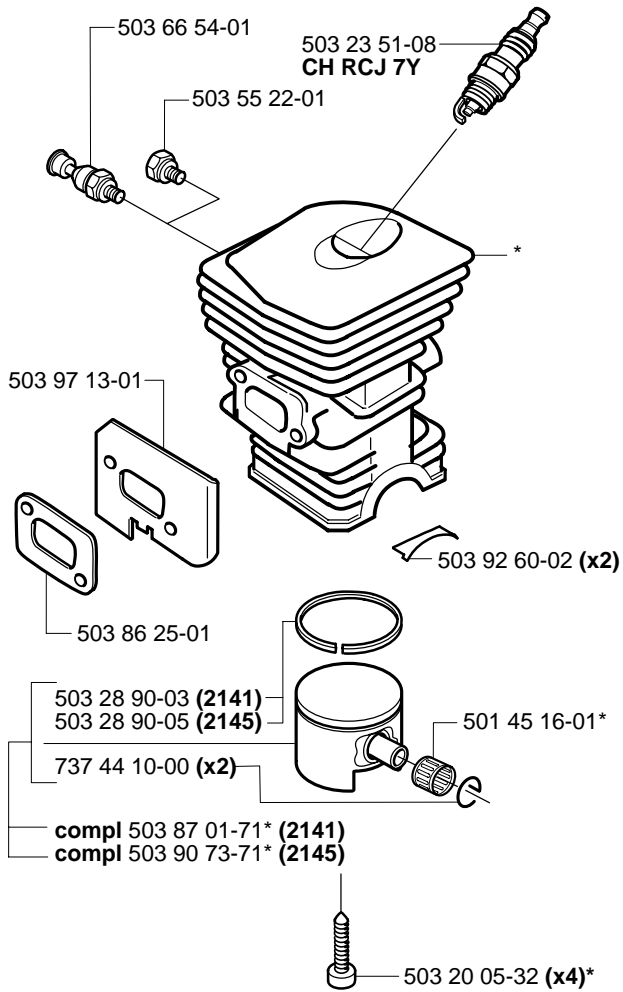
C

*compl 537 01 14-01

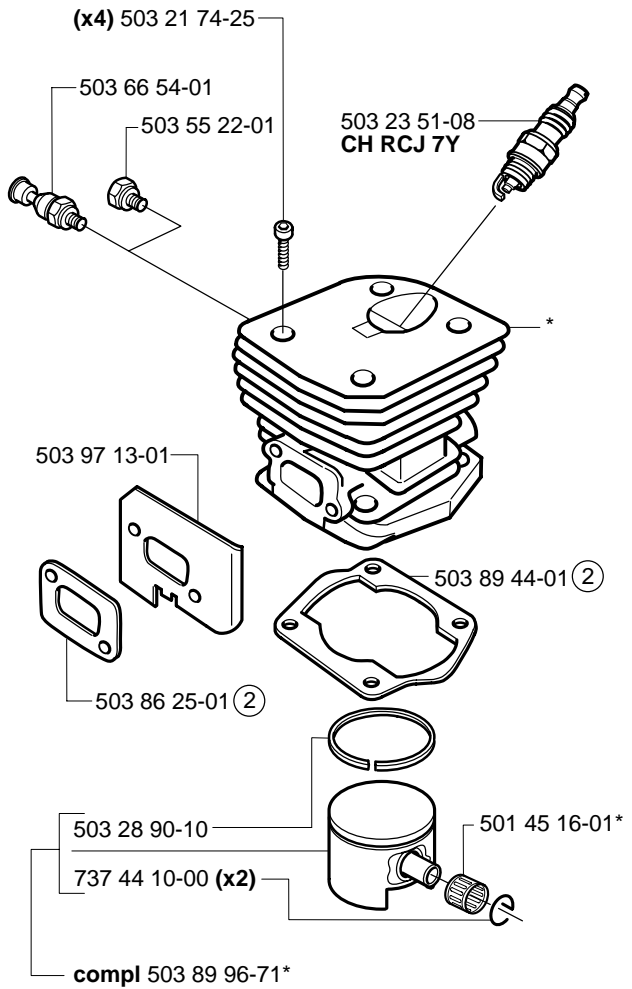
**D**

*compl 503 87 00-73 (2141)

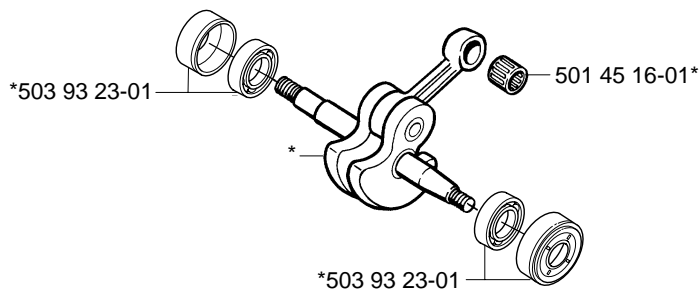
*compl 503 87 02-74 (2145)



*compl 503 86 99-71 (2150)

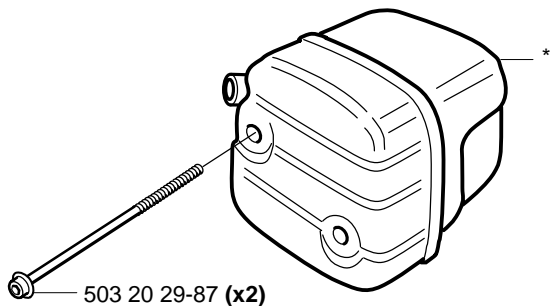
**E**

*compl 503 85 80-71

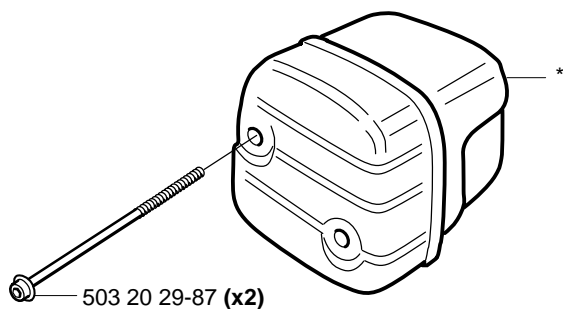


F

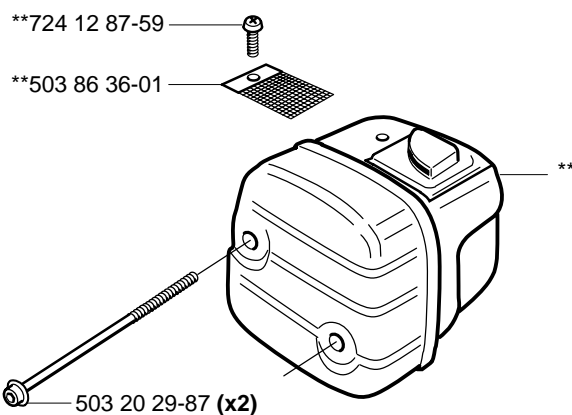
*compl 503 86 27-02 (EU)



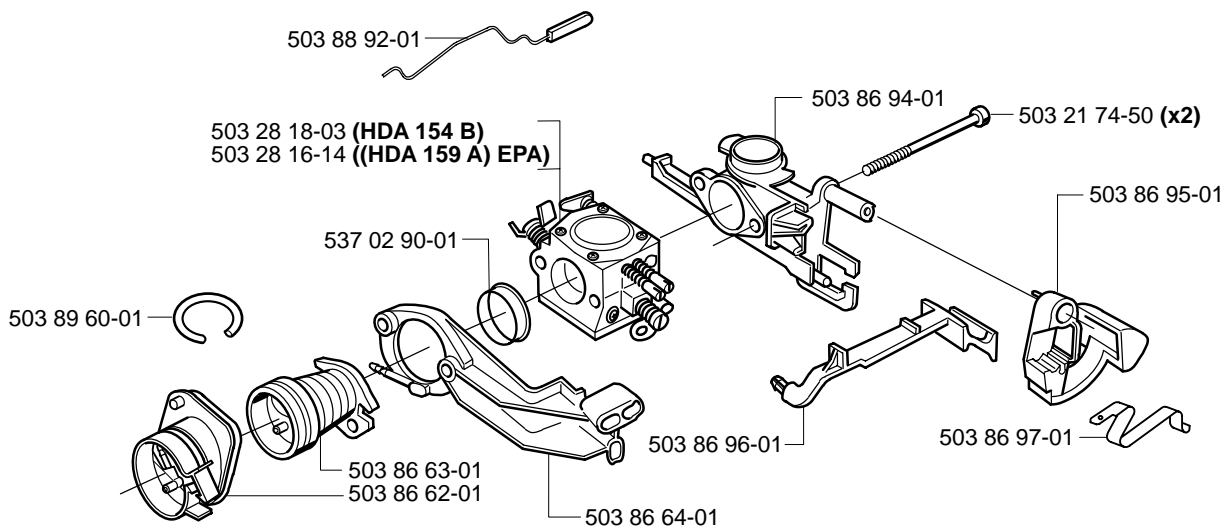
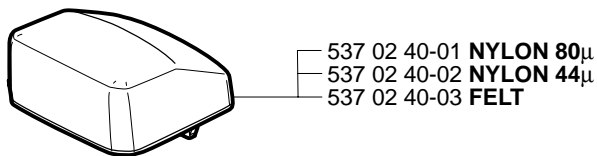
*compl 503 87 96-01 (FG)



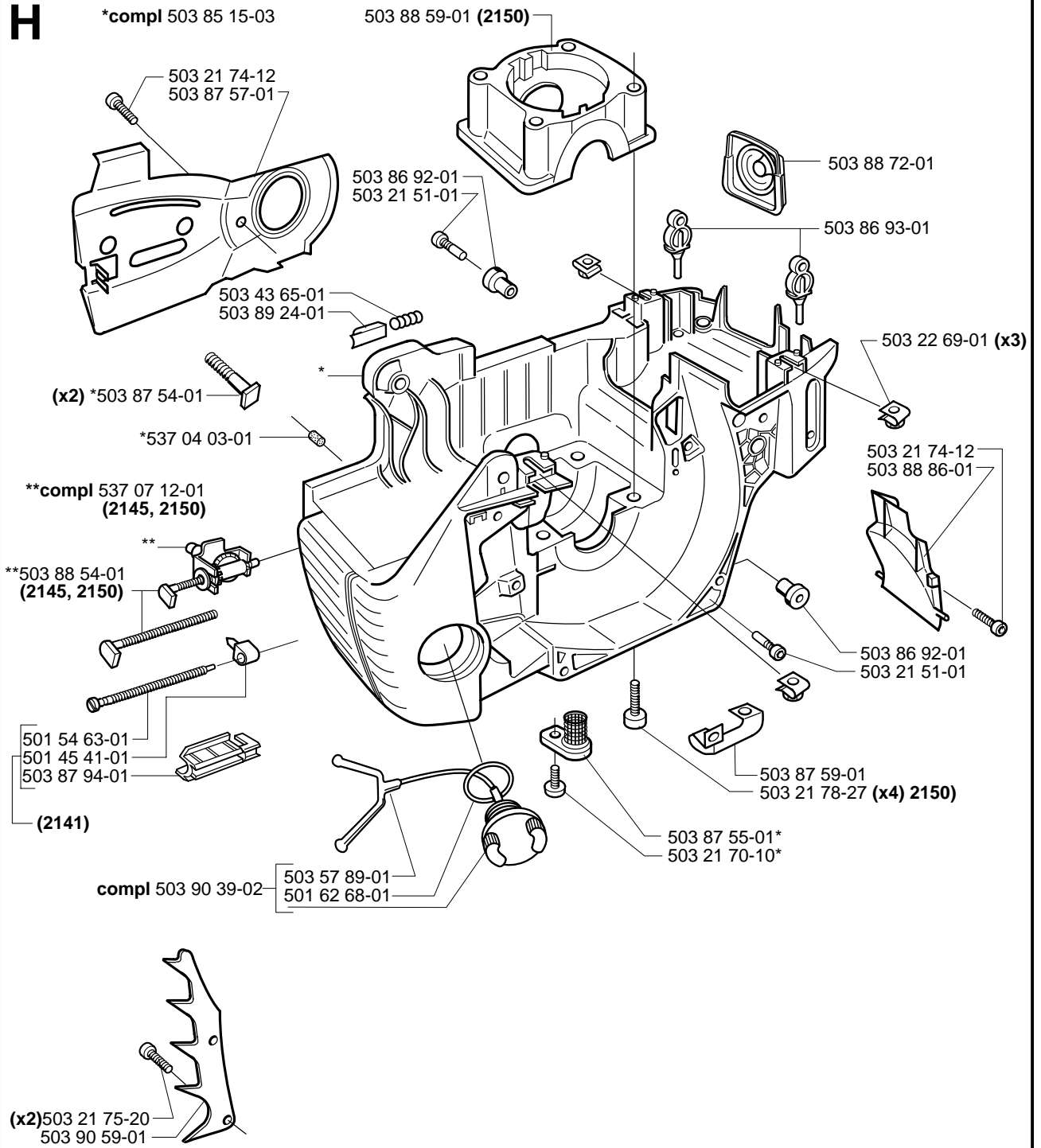
**compl 503 86 28-02 (DF)



G

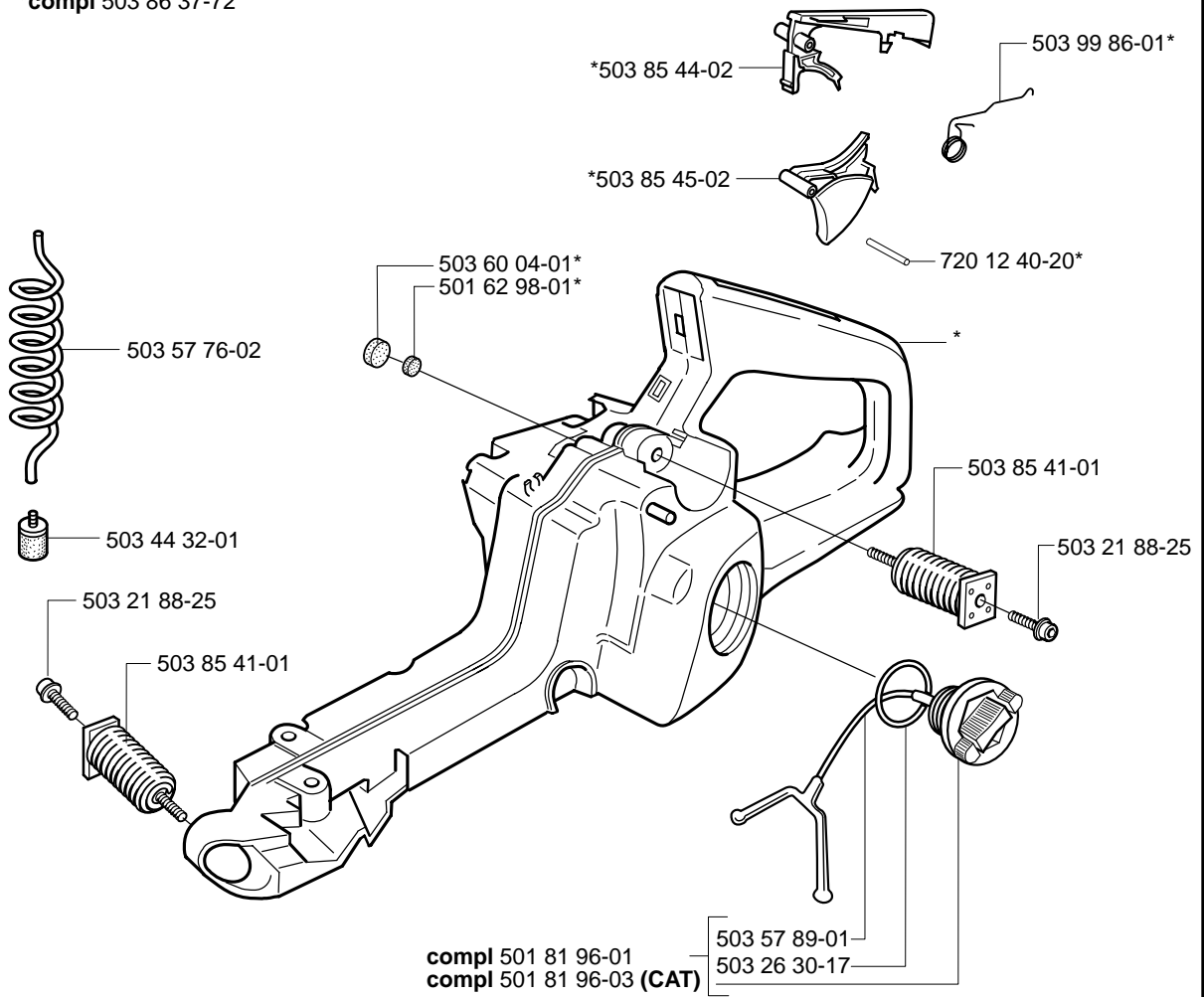
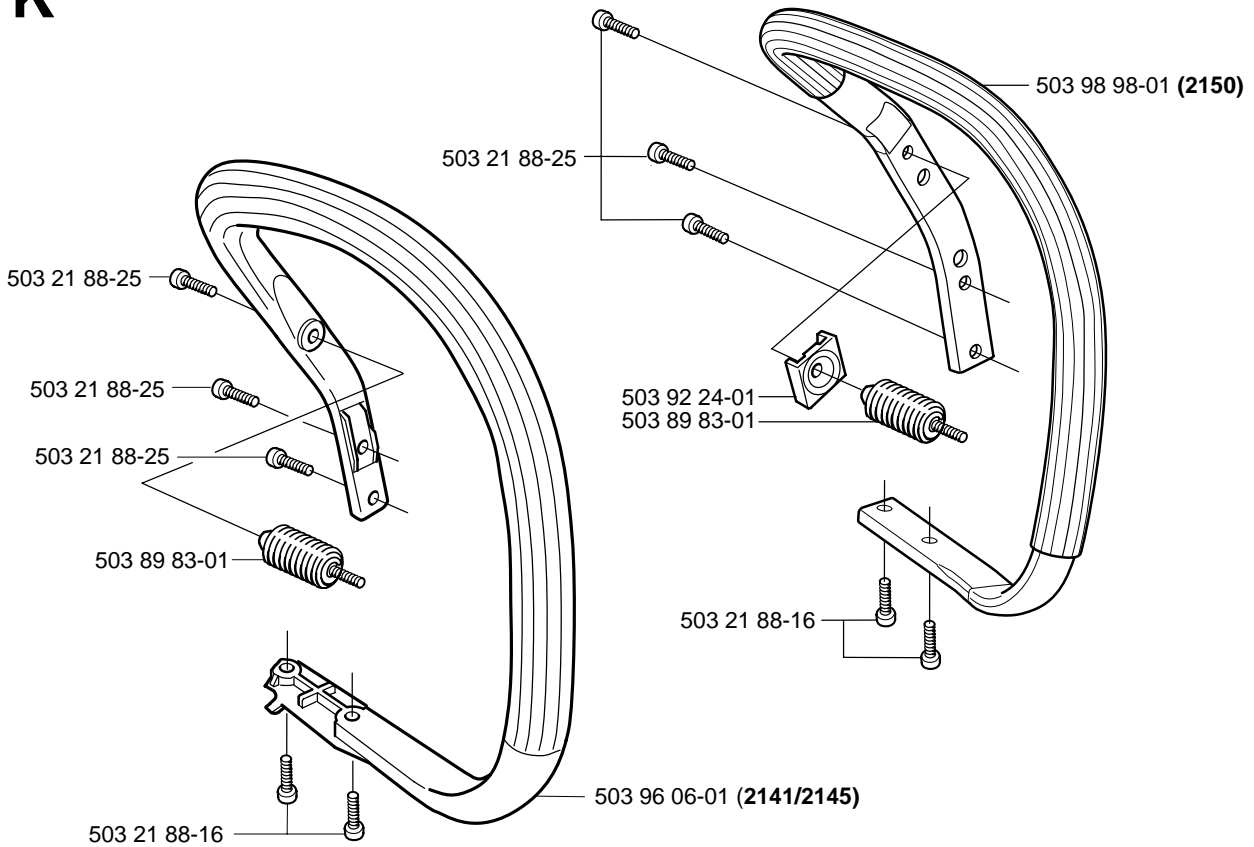


H

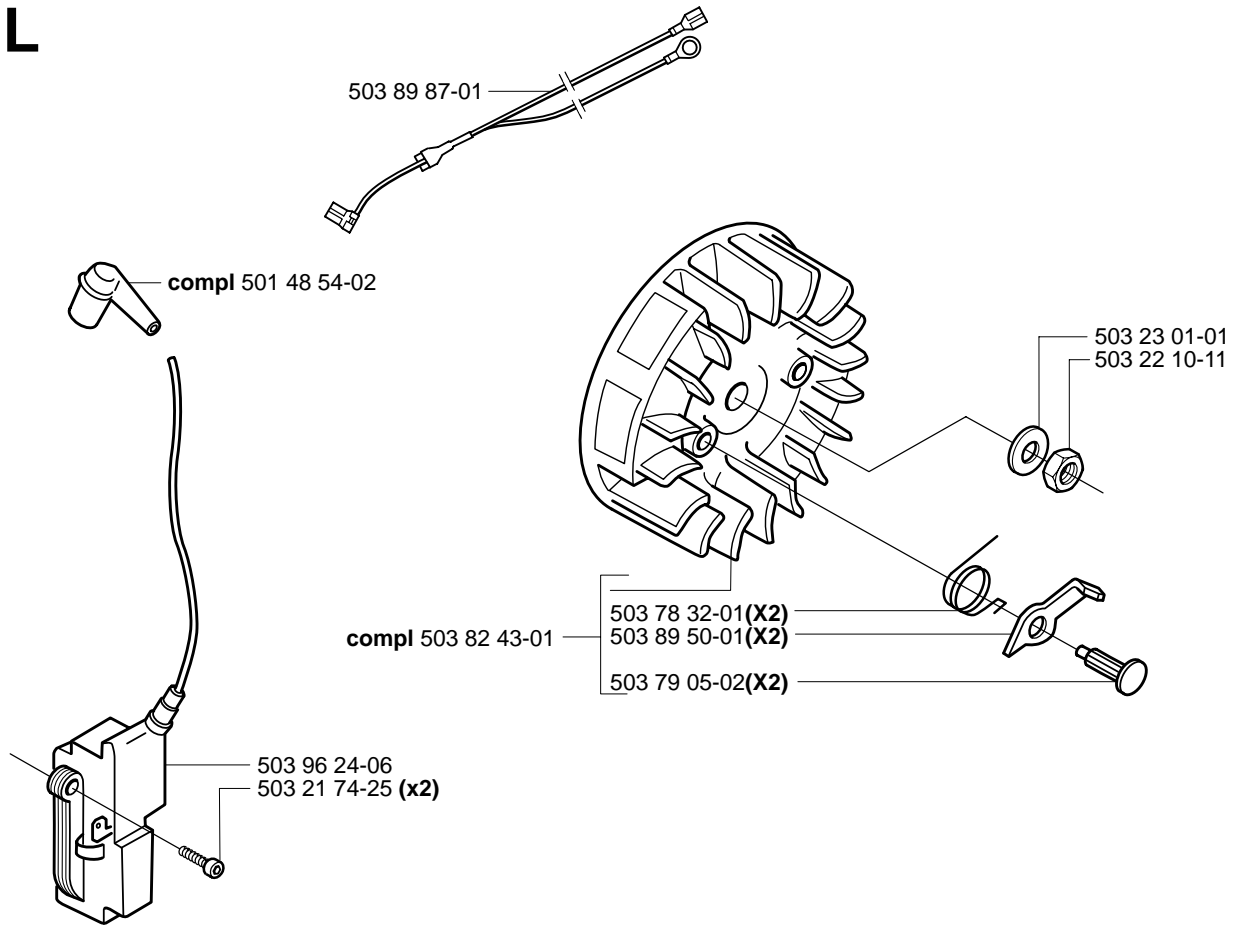


J

*compl 503 86 37-72

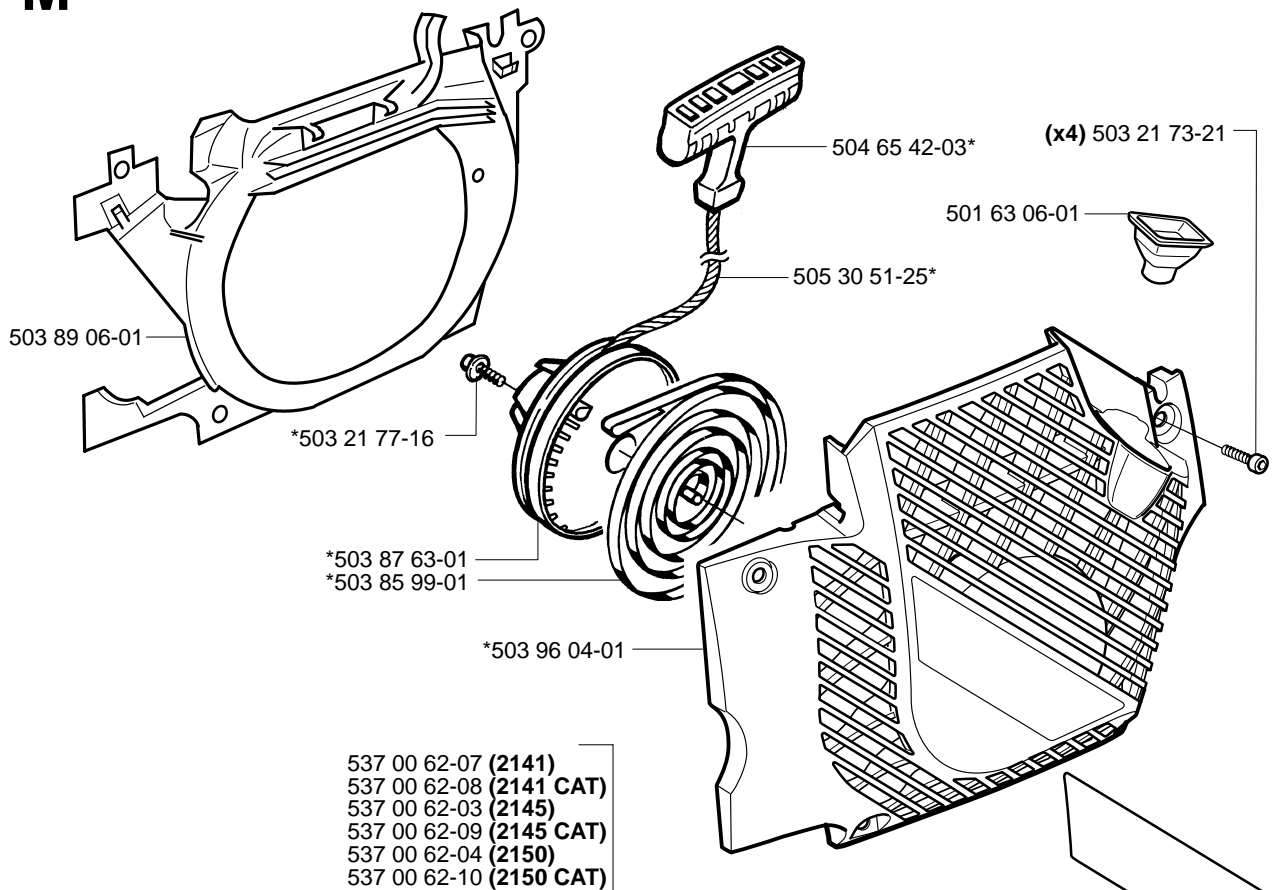
**K**

L

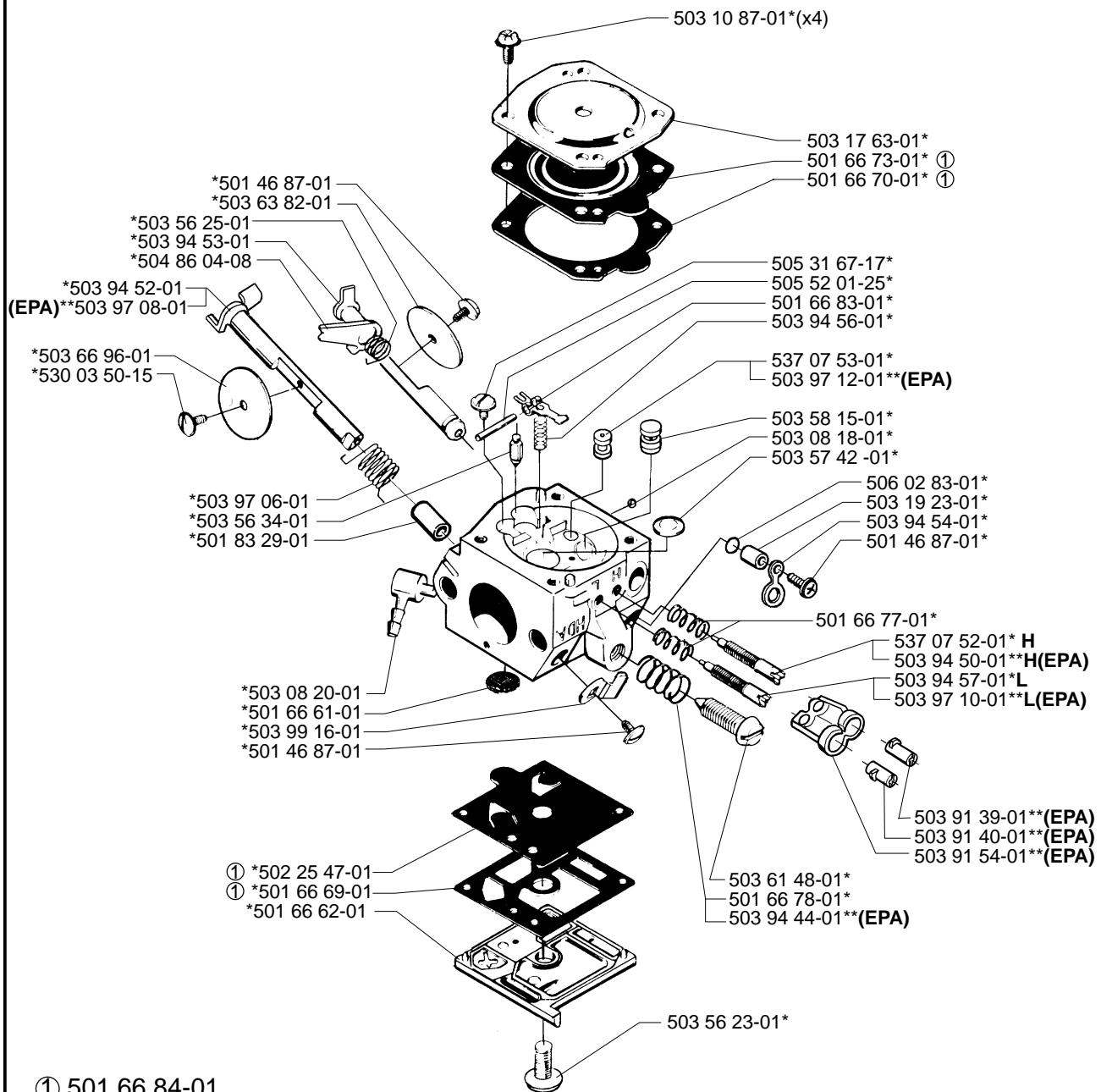


M

*compl 503 99 58-01

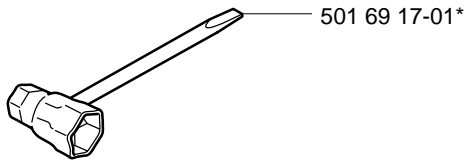


N *compl 503 28 18-03 Walbro HDA 154 B
 **compl 503 28 16-14 Walbro HDA 159 A (EPA)



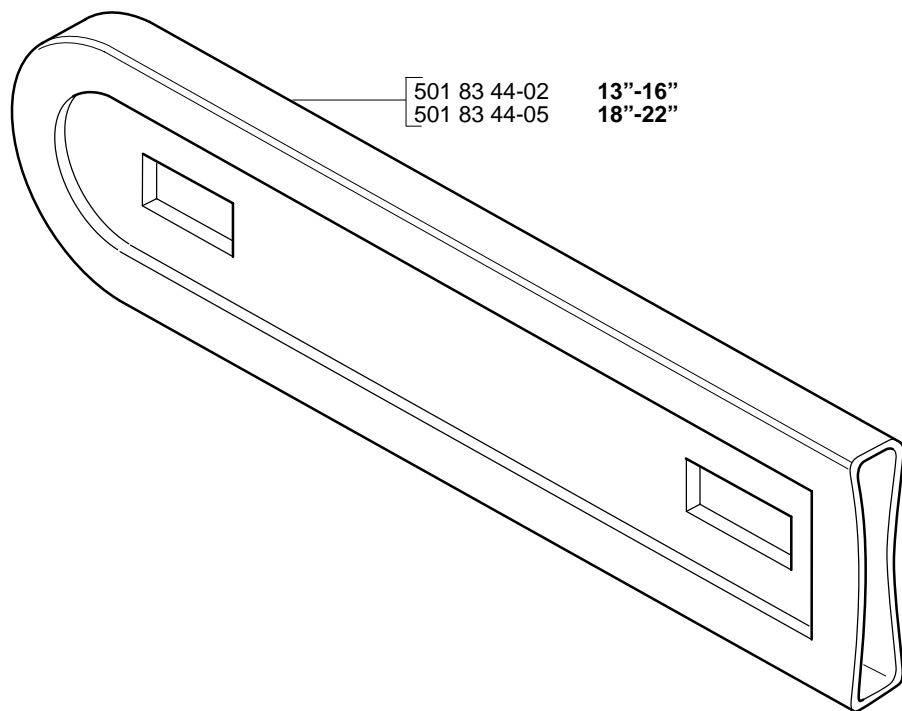
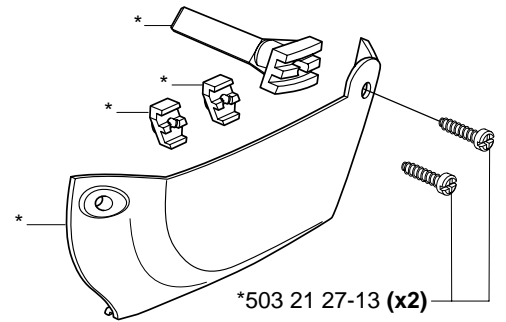
① 501 66 84-01
Set of gaskets
Dichtungssatz
Jeu de joints
Juego de juntas
Packningssats

P Accessories
Zubehöre
Accessories
Accesorios
Tillbehör



WINTER KIT

*compl 537 02 83-71



MODEL 2141, 2145, 2150

PART NUMBER	SQUARE	NOTE	PART NUMBER	SQUARE	NOTE	PART NUMBER	SQUARE	NOTE	PART NUMBER	SQUARE	NOTE
501 45 16-01	DE		503 60 04-01	J		503 91 54-01	N	EPA			
501 45 41-01	H		503 61 48-01	N		503 92 24-01	K				
501 46 87-01	N		503 63 82-01	N		503 92 60-02	D				
501 48 54-02	L		503 66 54-01	D		503 92 76-01	B				
501 54 63-01	H		503 66 96-01	N		503 93 18-01	B				
501 62 68-01	H		503 78 32-01	L		503 93 21-01	B				
501 62 98-01	J		503 79 05-02	L		503 93 23-01	E				
501 63 06-01	M		503 81 56-01	B		503 94 44-01	N	EPA			
501 63 97-01	C		503 81 59-01	B		503 94 50-01	N	EPA			
501 66 61-01	N		503 82 43-01	L		503 94 52-01	N				
501 66 62-01	N		503 85 15-03	H		503 94 53-01	N				
501 66 69-01	N	1	503 85 41-01	J		503 94 54-01	N				
501 66 70-01	N	1	503 85 44-02	J		503 94 56-01	N				
501 66 73-01	N	1	503 85 45-02	J		503 94 57-01	N				
501 66 77-01	N		503 85 48-01	B		503 96 04-01	M				
501 66 78-01	N		503 85 52-01	A		503 96 06-01	K				
501 66 83-01	N		503 85 66-01	A		503 96 24-06	L				
501 66 84-01	N	1 compl.	503 85 80-71	E		503 97 06-01	N				
501 69 17-01	P		503 85 99-01	M		503 97 08-01	N	EPA			
501 81 96-01	J		503 86 25-01	D		503 97 10-01	N	EPA			
501 81 96-03	J		503 86 27-02	F		503 97 12-01	N	EPA			
501 83 29-01	N		503 86 28-02	F		503 97 13-01	D				
501 83 44-02	P		503 86 36-01	F		503 98 74-01	A				
501 83 44-05	P		503 86 37-72	J		503 98 98-01	K				
502 25 47-01	N	1	503 86 62-01	G		503 99 16-01	N				
503 08 18-01	N		503 86 63-01	G		503 99 58-01	M				
503 08 20-01	N		503 86 64-01	G		503 99 70-01	A				
503 10 87-01	N		503 86 92-01	H		503 99 86-01	J				
503 17 63-01	N		503 86 93-01	H		504 65 42-03	M				
503 19 23-01	N		503 86 94-01	G		504 86 04-08	N				
503 20 05-32	D		503 86 95-01	G		505 30 51-25	M				
503 20 29-87	F		503 86 96-01	G		505 31 67-17	N				
503 20 34-25	C		503 86 97-01	G		505 52 01-25	N				
503 21 27-13	P		503 86 99-71	D		506 02 83-01	N				
503 21 51-01	H		503 87 00-73	D		530 03 50-15	N				
503 21 70-10	AH		503 87 01-71	D		537 00 62-03	M				
503 21 73-21	M		503 87 02-74	D		537 00 62-04	M				
503 21 74-12	BH		503 87 30-72	B		537 00 62-07	M				
503 21 74-25	DL		503 87 54-01	H		537 00 62-08	M				
503 21 74-50	G		503 87 55-01	H		537 00 62-09	M				
503 21 75-20	H		503 87 57-01	H		537 00 62-10	M				
503 21 77-16	M		503 87 59-01	H		537 00 63-01	A				
503 21 78-27	H		503 87 63-01	M		537 01 14-01	C				
503 21 88-16	K		503 87 94-01	H		537 01 21-02	A				
503 21 88-25	JK		503 87 96-01	F		537 02 40-01	G				
503 22 00-01	A		503 88 54-01	H		537 02 40-02	G				
503 22 10-11	L		503 88 59-01	H		537 02 40-03	G				
503 22 69-01	H		503 88 72-01	H		537 02 71-01	B				
503 23 00-60	B		503 88 86-01	H		537 02 83-71	P				
503 23 01-01	L		503 88 92-01	G		537 02 90-01	G				
503 23 51-08	D		503 89 06-01	M		537 04 03-01	H				
503 24 09-05	B		503 89 07-02	A		537 04 30-01	A				
503 25 52-01	B		503 89 08-01	A		537 05 59-02	C				
503 26 30-17	J		503 89 15-01	B		537 06 91-01	B				
503 28 16-14	GN	EPA	503 89 16-01	B		537 07 12-01	H				
503 28 18-03	GN		503 89 22-02	B		537 07 52-01	N				
503 28 90-03	D		503 89 24-01	H		537 07 53-01	N				
503 28 90-05	D		503 89 29-01	A		537 10 55-01	B				
503 28 90-10	D		503 89 30-01	A		720 12 40-20	J				
503 43 65-01	H		503 89 44-01	D		721 11 64-30	B				
503 44 32-01	J		503 89 50-01	L		724 12 87-59	F				
503 46 59-01	A		503 89 60-01	G		735 31 08-20	A				
503 55 22-01	D		503 89 83-01	K		737 44 10-00	D				
503 56 23-01	N		503 89 87-01	L							
503 56 25-01	N		503 89 96-71	D							
503 56 34-01	N		503 90 39-02	H							
503 57 42-01	N		503 90 59-01	H							
503 57 76-02	J		503 90 73-71	D							
503 57 89-01	HJ		503 91 39-01	N	EPA						
503 58 15-01	N		503 91 40-01	N	EPA						

1 = 501 66 84-01 Set of gaskets
 Dichtungssatz
 Jeu de joints
 Juego de juntas
 Packningssats

EPA = Environmental Protection Agency
 (for USA only)