

# HM485

Group **8D**  
Batteries

## Commercial Battery Box™



Side View

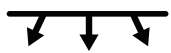


Exploded View

**Impact, UV, And Contaminant Resistant. Fully Ventilated To Release Gases.**

All NOCO battery boxes meet US Coast Guard Code (USCG) of Federal Regulations.

Extremely rugged, structural reinforced battery boxes that provide uncompromising protection for any battery application. Manage your marine, RV, trailer, or stored batteries with ease of mind, knowing that the batteries are protected from any outside contaminants, and the internal reservoir makes sure anything on the inside, stays inside.



**IMPACT**  
Resistant

Designed with an engineered polymer that maintains its impact properties down to -20 degrees Fahrenheit.

**UV**  
Resistant

Designed with UV inhibitors and color stabilizers to prevent structure degradation and color fading.

Made In  
**USA**

We strive to create only the best. Every NOCO battery box is designed, engineered, and made in the USA.

Ventilated  
**SAFE**  
SECURE

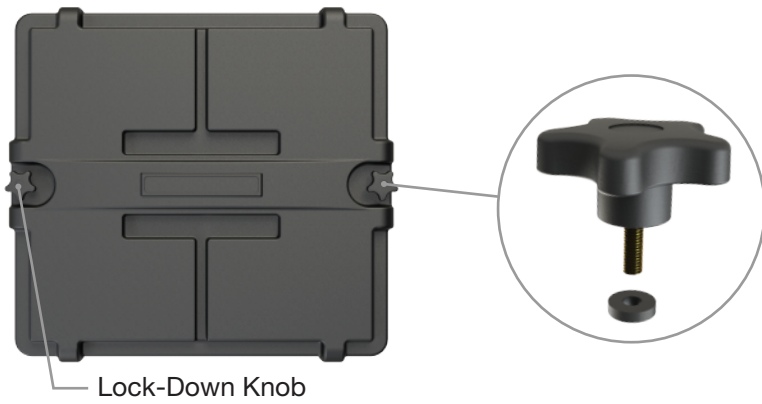
Meets the USCG Code of Federal Regulations 183.420 and the ABYC's E-10.7 code requirements.

**Commercial** Battery Boxes Designed For Battery Groups: 4D, L16, 8D, & 6-Volt

The NOCO Company  
30339 Diamond Parkway, #102  
Glenwillow, OH 44139 | USA  
1.800.456.6626

no.co

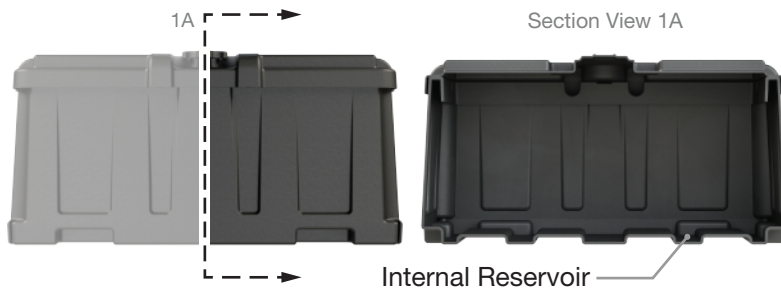
**NOCO**  
Since 1914



Lock-Down Knob



Corner Bolt-Down Slot



Section View 1A

Internal Reservoir

### About Coast Guard Regulations.

The US Coast Guard maintains strict regulations for the storage of batteries. Batteries that are on board boats must **not move more than one inch** in any direction surrounding the battery and only one inch in the vertical direction.

### Battery Size Specifications

Min. Size: 19.0 (L) x 21.0 (W) x 8.6 (H) in.

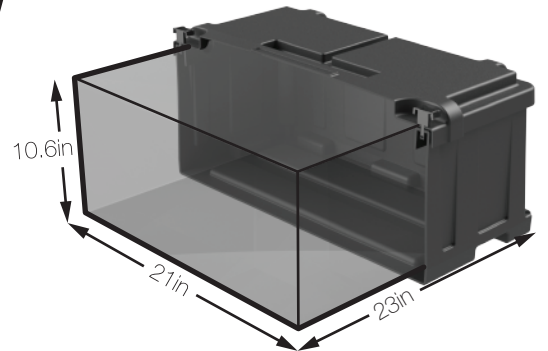
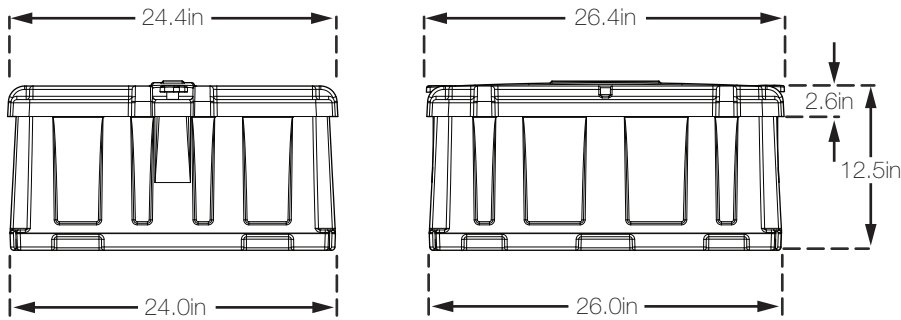
Max. Size: 21.0 (L) x 23.0 (W) x 10.6 (H) in.

### Ventilation.

When a battery is presented with a high enough charge, the internal chemicals will begin to give off hydrogen gas. This gas can be dangerous when it is concentrated. NOCO's battery boxes all have proper ventilation, allowing for gases to escape.

### Internal Reservoir.

Should there ever be an event where the structural integrity of the battery inside a NOCO battery box is weakened, the internal reservoir will collect any excess liquid, protecting the surrounding environment and keeping the acid away from the battery.



Internal capacity.

### Technical Specifications

What's Included:	Dual 8D Battery Box & 2 Fastening Knobs
Battery Size:	Two (2) Dual 8D Batteries
Internal Cargo Dimensions:	21.0 (L) x 23.0 (W) x 10.6 (H) in.
External Dimensions:	26.4 (L) x 24.4 (W) x 12.5 (H) in.
Product Weight:	16.40 lbs (262 oz)