

HM426

Group **6V**
Batteries

Commercial Battery Box™



Side View



Exploded View

Impact, UV, And Contaminant Resistant. Fully Ventilated To Release Gases.

All NOCO battery boxes meet US Coast Guard Code (USCG) of Federal Regulations.

Extremely rugged, structural reinforced battery boxes that provide uncompromising protection for any battery application. Manage your marine, RV, trailer, or stored batteries with ease of mind, knowing that the batteries are protected from any outside contaminants



IMPACT
Resistant

Designed with an engineered polymer that maintains its impact properties down to -20 degrees Fahrenheit.

UV

Resistant

Designed with UV inhibitors and color stabilizers to prevent structure degradation and color fading.

Made In
USA

We strive to create only the best. Every NOCO battery box is designed, engineered, and made in the USA.

Ventilated
SAFE
SECURE

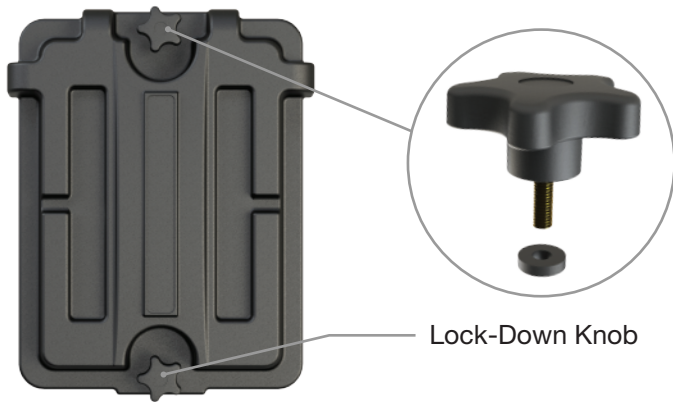
Meets the USCG Code of Federal Regulations 183.420 and the ABYC's E-10.7 code requirements.

Commercial Battery Boxes Designed For Battery Groups: 4D, L16, 8D, & 6-Volt

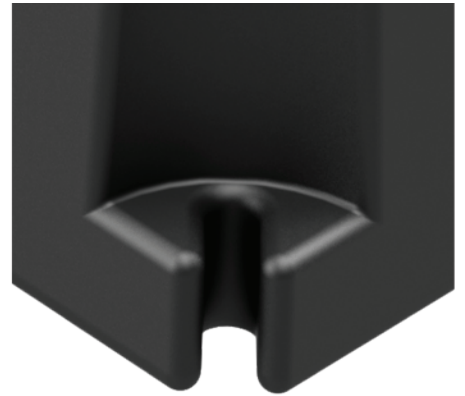
The NOCO Company
30339 Diamond Parkway, #102
Glenwillow, OH 44139 | USA
1.800.456.6626

no.co

NOCO
Since 1914



Lock-Down Knob



Corner Bolt-Down Slot



Section View 1A

Internal Reservoir

Ventilation.

When a battery is presented with a high enough charge, the internal chemicals will begin to give off hydrogen gas. This gas can be dangerous when it is concentrated. NOCO's battery boxes all have proper ventilation, allowing for gases to escape.

Internal Reservoir.

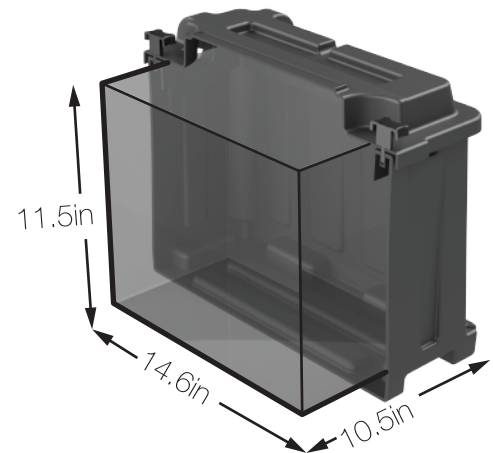
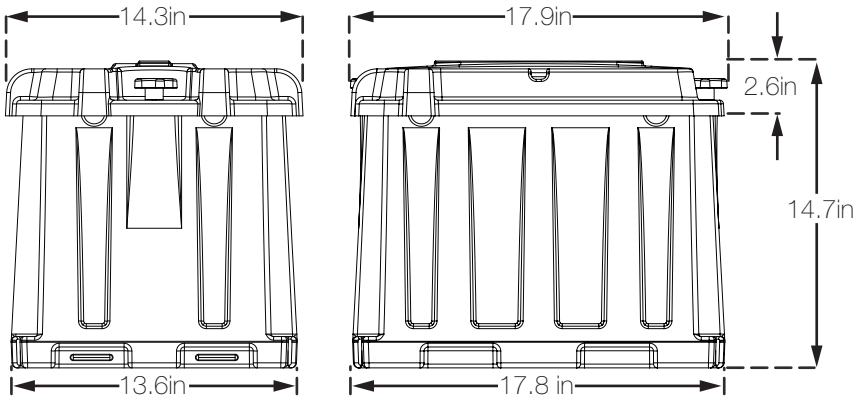
Should there ever be an event where the structural integrity of the battery inside a NOCO battery box is weakened, the internal reservoir will collect any excess liquid, protecting the surrounding environment and keeping the acid away from the battery.

About Coast Guard Regulations.

The US Coast Guard maintains strict regulations for the storage of batteries. Batteries that are on board boats must **not move more than one inch** in any direction surrounding the battery and only one inch in the vertical direction.

Battery Size Specifications

| | |
|------------|------------------------------------|
| Min. Size: | 12.6 (L) x 8.5 (W) x 9.5 (H) in. |
| Max. Size: | 14.6 (L) x 10.5 (W) x 11.5 (H) in. |



Internal capacity.

Technical Specifications

| | |
|----------------------------|---|
| What's Included: | Dual 6V Battery Box & 2 Fastening Knobs |
| Battery Size: | Two (2) 6-Volt |
| Internal Cargo Dimensions: | 14.6 (L) x 10.5 (W) x 11.5 (H) in. |
| External Dimensions: | 17.9 (L) x 14.3 (W) x 14.0 (H) in. |
| Product Weight: | 7.0 lbs (112 oz) |