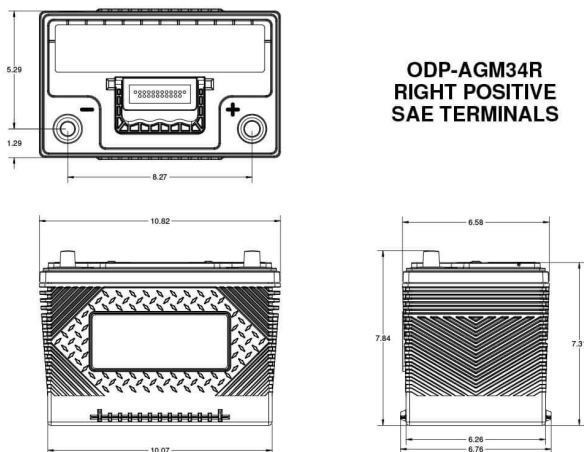


ODYSSEY[®] BATTERY



Drawings & Terminal Position



Handling and Storage

- Can be mounted or stored in any orientation except inverted
- 2-years storage life at 68°F (20°C) without needing to charge. Recharge when the OCV is <12.6V (50% SOC).
- Classified as non-spillable and approved as non-hazardous cargo for ground, sea and air transportation in accordance with the requirements of IMDG (International Maritime code for Dangerous Goods) and ICAO (International Civil Aviation Organisation)

Charging and Self-Discharge

Type of charging curve	IUU
Charger voltage at 68°F (20°C)	14.4V to 14.8V
Self-discharge per month at 68°F (20°C)	1.25%
Self-discharge per month at 104°F (40°C)	5%
80% depth of discharge cycles	400

Technical Data Sheet

ODP-AGM34R

(34R-790)

Battery Type

- With SAE posts and reverse terminal layout
- Absorbed Glass Mat (AGM) with Thin Plate Pure Lead (TPPL)
- Advanced dual purpose battery for engine start and deep cycle use

Power and Performance

Voltage	12
Pulse (5 second) Hot Cranking Amps (PHCA)	1500
Cold Cranking Amps (CCA)	792
HCA	1200
MCA	990
20Hr Nominal Capacity (Ah)	61
10Hr Nominal Capacity (Ah)	57
Reserve Capacity Minutes	124
Terminal	SAE
Torque Spec	N/A
Internal Resistance	2.9
Short Circuit	2400

Dimensions and Weight

Length	10.8 in / 274 mm
Width	6.8 in / 173 mm
Height (terminals included)	7.9 in / 201 mm
Height (container)	7.4 in / 188 mm
Weight	46.6 lbs / 21.1 kg

Temperature

Operating temperature range	-40°F / -40°C to 140°F / +60°C
Optimum storage temperature	68°F / +20°C

Accreditations

The management systems governing the manufacture of this product are ISO 9001 and ISO 14001 certified.

*Cold Start Performance S.A.E J537 Apr 2016



EnerSys World Headquarters
2366 Bernville Road
Reading, PA 19605, USA
Tel: +1-800-964-2837

EnerSys EMEA
EH Europe GmbH
Baarerstrasse 18
6300 Zug, Switzerland

EnerSys Asia
152 Beach Road
#11-08 Gateway East
Building
Singapore 189721
Tel: +65 6416 4800

Want more info?
Scan code to access
the ODYSSEY® Battery
Literature Library

