

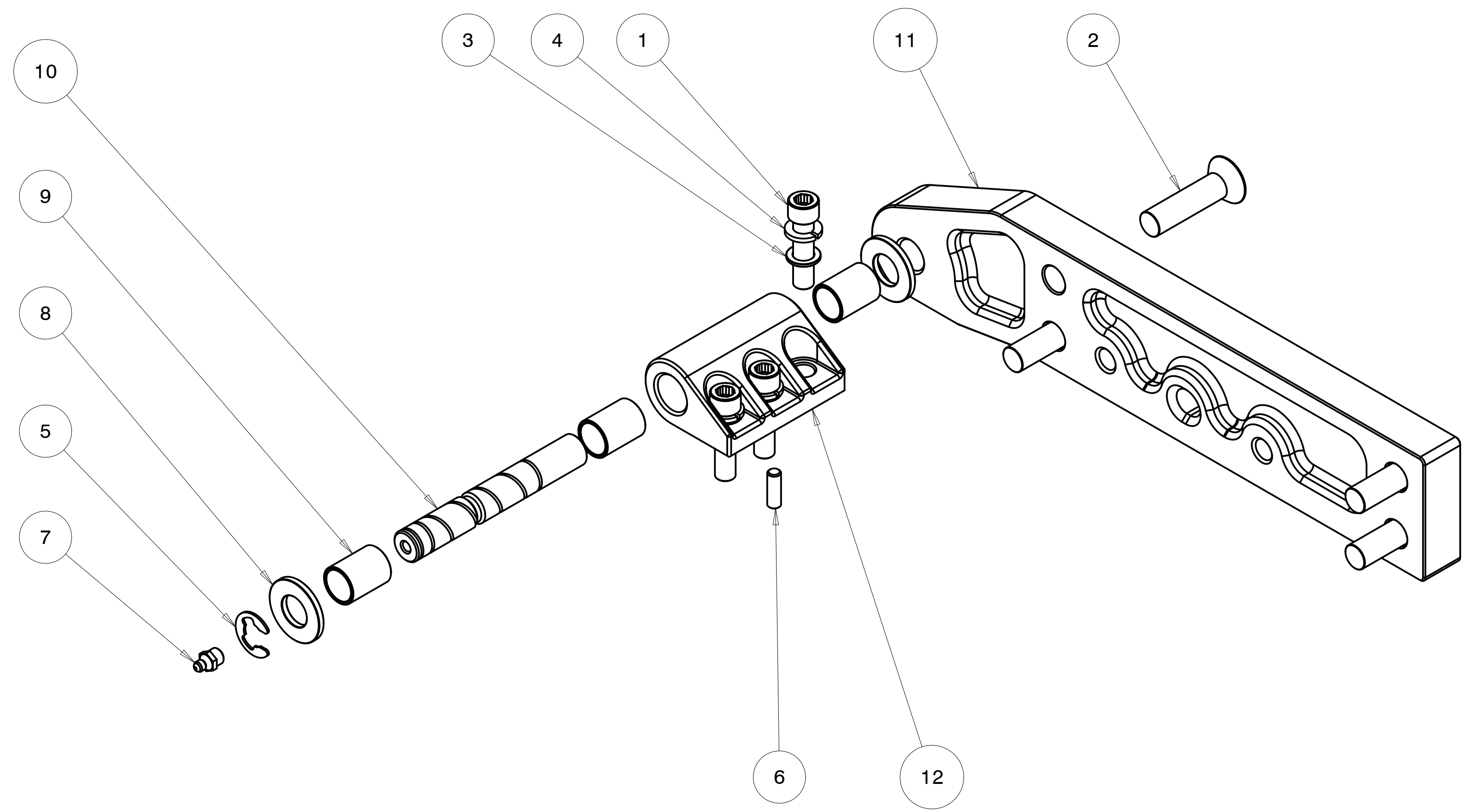
4

3

2

1

REVISIONS				
ZONE	REV	DESCRIPTION	DATE	APPROVED
--	1	INITIAL RELEASE	2022-FEB-23	MZ



ITEM NO.	QTY REQD.	PART NO.	DRAWING TITLE OR DESCRIPTION	MANUFACTURER	MFG PART NO.
12	1	560-1036-01	USM, HINGE, CLEAR HOLE	FAB	---
11	1	560-001-1025-01	HINGE STRAP, LEFT, MT	FAB	---
10	1	560-001-1024	USM, HINGE SHAFT, MT	FAB	---
9	3	500-1042	BUSHING, HINGE KNUCKLE	FAB	---
8	2	500-1038	HINGE WASHER, 1.275 OD X .630 ID X .125 TH	FAB	---
7	1	94-350-313F-344-01-23	GREASE FITTING, 5/16-24-UNF STRAIGHT 303 SST	MCMASTER	1293K44
6	2	90-400-250-750-21	DOWEL PIN, .250 DIA X .750 L 316	MCMASTER	97395A485
5	1	90-355-485-042-20	E-CLIP, .625 SHAFT, .485 GROOVE, .042 W, SST	MCMASTER	98408A140
4	3	90-310-380-680-090-20	WASHER, SPLIT LOCK .380 ID X .68 OD X .090TK, 18-8 SST	MCMASTER	92146A031
3	3	90-300-390-625-06-20	WASHER, .390 X .63 X .060 18-8 SST	MCMASTER	98017A200
2	4	90-110-500C-2000-20	SCREW, 1/2-13 UNC X 2.0 FHC 18-8	MCMASTER	92210A720
1	3	90-100-375C-1500-20	SCREW, 3/8-16 X 1.500 SHC 18-8 SST	MCMASTER	92196A628

UNLESS OTHERWISE SPECIFIED DIMENSIONS ARE IN INCHES. TOLERANCES ARE: .X +/- 0.1 .XX +/- 0.01 .XXX +/- 0.001 ANGLES +/- 0.5 INTERPRET DIMENSIONS PER ASME Y14.5M 1994 (R2004)	CREO REPORTED PARAMETERS		DESIGNER DANNY HILLIS	
	CREO MATERIAL	CREO MASS 4.143	ENGINEER G STAPLES	2022-MMM-DD
	CREO VOLUME 34.740	CREO DRAWING FILE NAME: 560-001-9025-01	DRAFTER M ZASSO	2022-MMM-DD
	DO NOT SCALE DRAWING		CHECKED ---	2022-MMM-DD

UNIVERSAL SONAR MOUNT		
ASSEMBLY, HINGE, LEFT, MT		
SIZE	CUSTOMER DRAWING/PART NO. ---	REV 2
DRAWING/PART NO. 560-001-9025-01		
SCALE	SHEET 1 OF 2	

4

3

2

1

D

D

C

C

B

B

A

A

CUSTOMER DRAWING/PART NO. ---
DRAWING/PART NO. 560-001-9025-01
REV 2
SHT 1

4

3

2

1

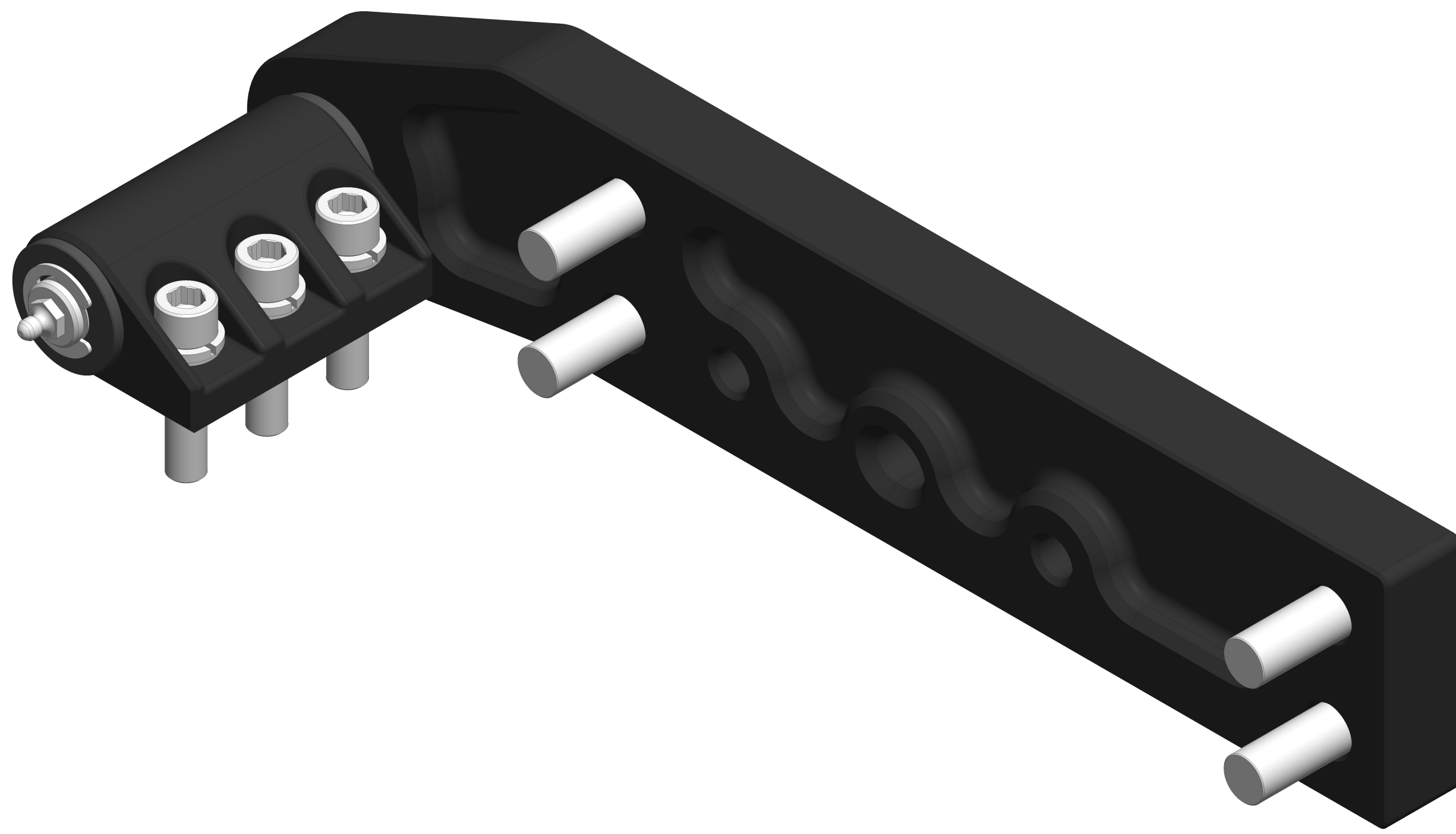
REVISIONS
SEE SHEET 1

CUSTOMER DRAWING/PART NO.

DRAWING/PART NO.
560-001-9025-01

REV
2

SHT
2



UNIVERSAL SONAR MOUNT		
ASSEMBLY, HINGE, LEFT, MT		
SIZE	CUSTOMER DRAWING/PART NO.	REV
C	---	2
	DRAWING/PART NO. 560-001-9025-01	
SCALE	1.000	SHEET 2 OF 2

4

3

2

1

A

D

C

B

A

D

C

B

A