

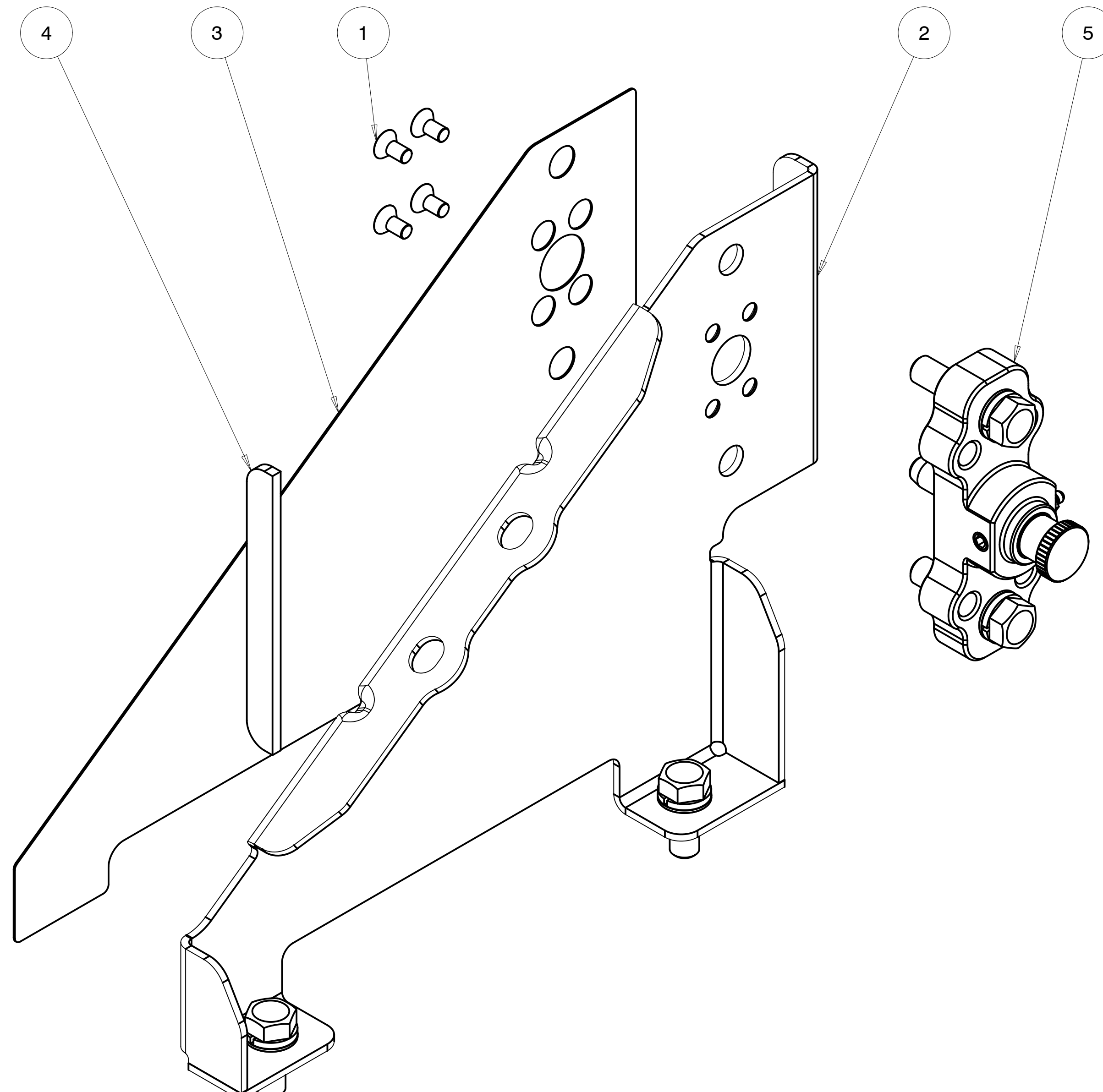
4

3

2

1

REVISIONS				
ZONE	REV	DESCRIPTION	DATE	APPROVED
--	1	INITIAL RELEASE	2022-FEB-02	MZ



ITEM NO.	QTY REQD.	PART OR IDENTIFYING NO.	DRAWING TITLE OR DESCRIPTION	MANUFACTURER	MFG PART NO.
5	1	540-001-9052-01	ASSEMBLY, CATCHER	ASSY	---
4	1	500-001-1055	BUMP STOP, SUPPORT BRACKET	FAB	---
3	1	500-001-1054-01	WEAR SHEET, SUPPORT BRACKET, L, HT	FAB	---
2	1	500-001-1051-01	SUPPORT BRACKET MAIN, L, HT	FAB	---
1	4	90-110-250C-500-20	SCREW, 1/4-20 X .50 FHC 18-8	MCMASTER	92210A537

UNLESS OTHERWISE SPECIFIED DIMENSIONS ARE IN INCHES.	CREO REPORTED PARAMETERS		DESIGNER	
	G STAPLES		G STAPLES	
TOLERANCES ARE:	CREO MATERIAL	ENGINEER	G STAPLES	02021-JAN-28
.X +/- 0.1	CREO MASS	DRAFTER	G STAPLES	02021-JAN-28
.XX +/- 0.01	6.578	CHECKED	---	02021-MMM-DD
.XXX +/- 0.001	CREO VOLUME	DO NOT SCALE DRAWING		
ANGLES +/- 0.5	28.878	CREO DRAWING FILE NAME:		
INTERPRET DIMENSIONS PER ASME Y14.5M 1994 (R2004)	540-001-9051-01	540-001-9051-01		

UNIVERSAL SONAR MOUNT		
ASSEMBLY, SUPPORT BRACKET, LEFT, HT		
SIZE	CUSTOMER DRAWING/PART NO.	REV
C	---	1
DRAWING/PART NO.		
540-001-9051-01		
SCALE	0.700	SHEET 1 OF 2

4

3

2

1

CUSTOMER DRAWING/PART NO. ---
DRAWING/PART NO. 540-001-9051-01
REV 1
SHT 1

D

D

C

B

A

A

4

3

2

1

REVISIONS
SEE SHEET 1

D

D

C

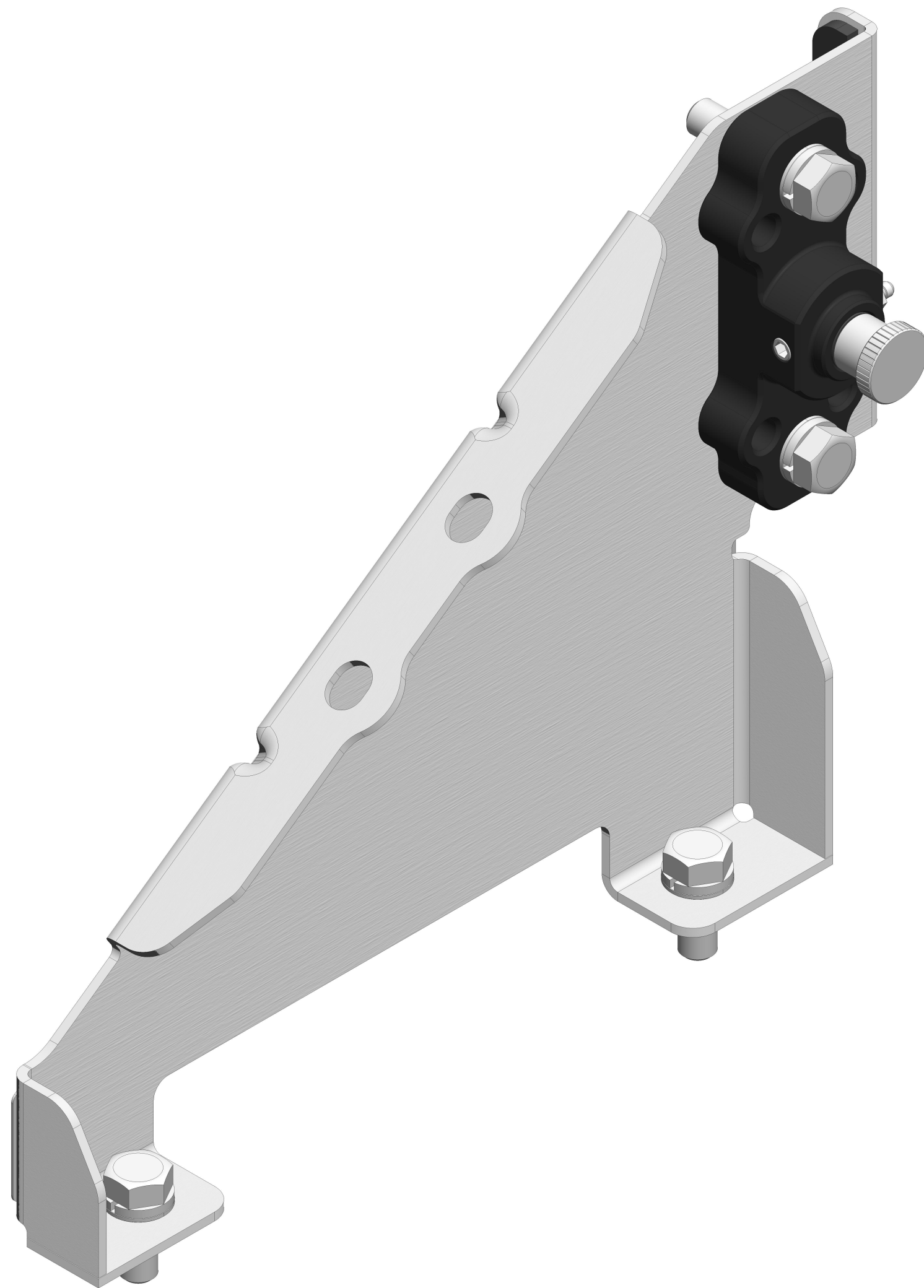
CUSTOMER DRAWING/PART NO.

B

DRAWING/PART NO.
540-001-9051-01

A

A



UNIVERSAL SONAR MOUNT		
ASSEMBLY, SUPPORT BRACKET, LEFT, HT		
SIZE	CUSTOMER DRAWING/PART NO.	REV
C	---	1
	DRAWING/PART NO. 540-001-9051-01	
SCALE	0.700	SHEET 2 OF 2

4

3

2

1