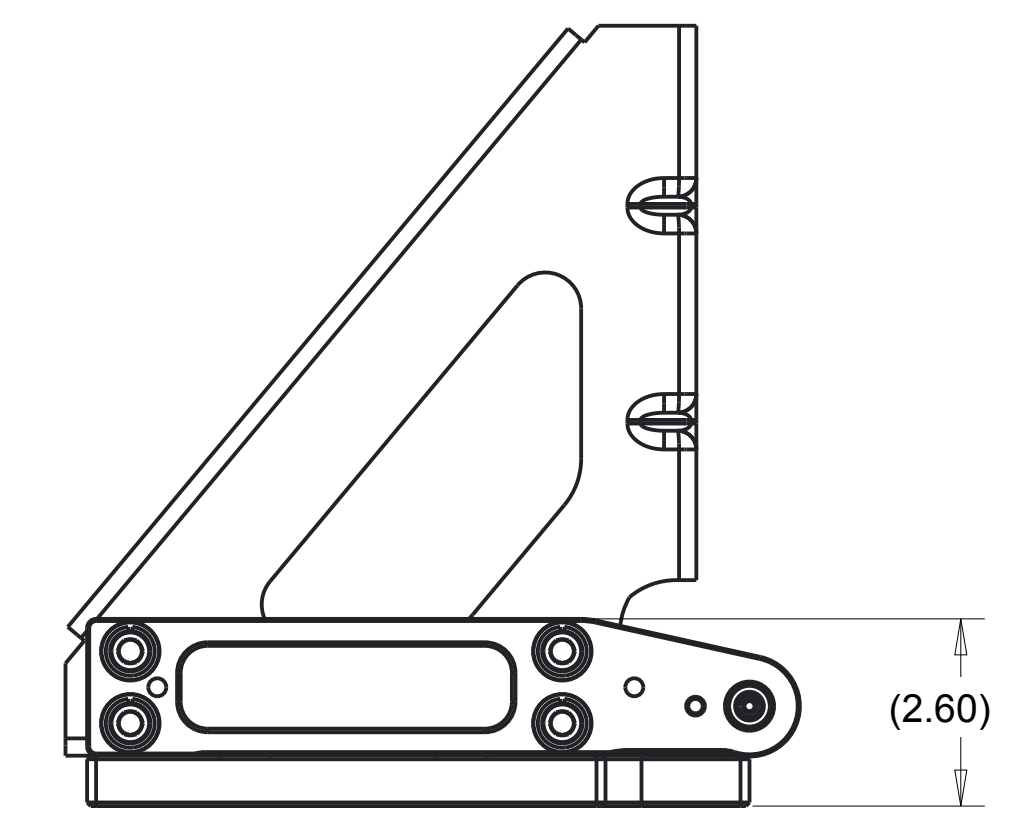
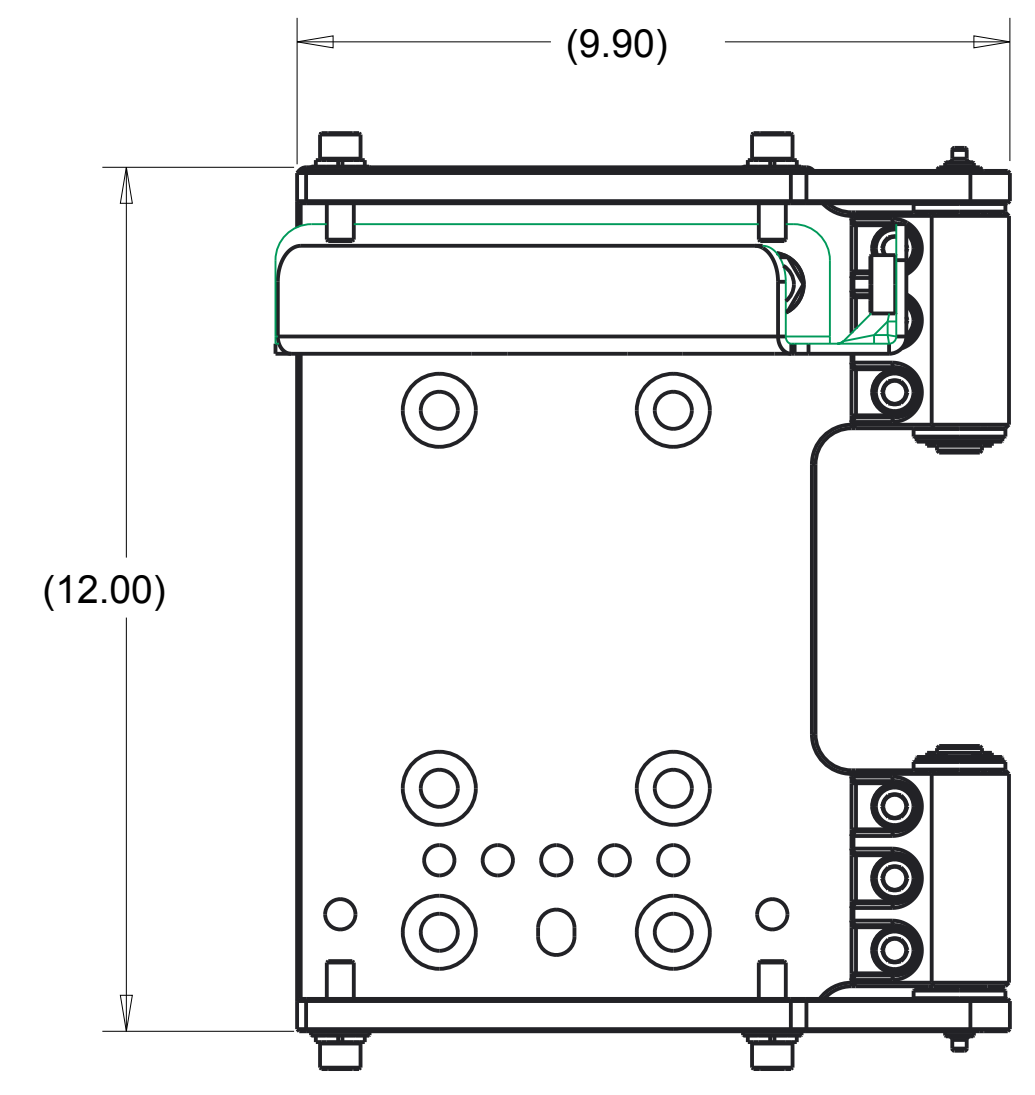
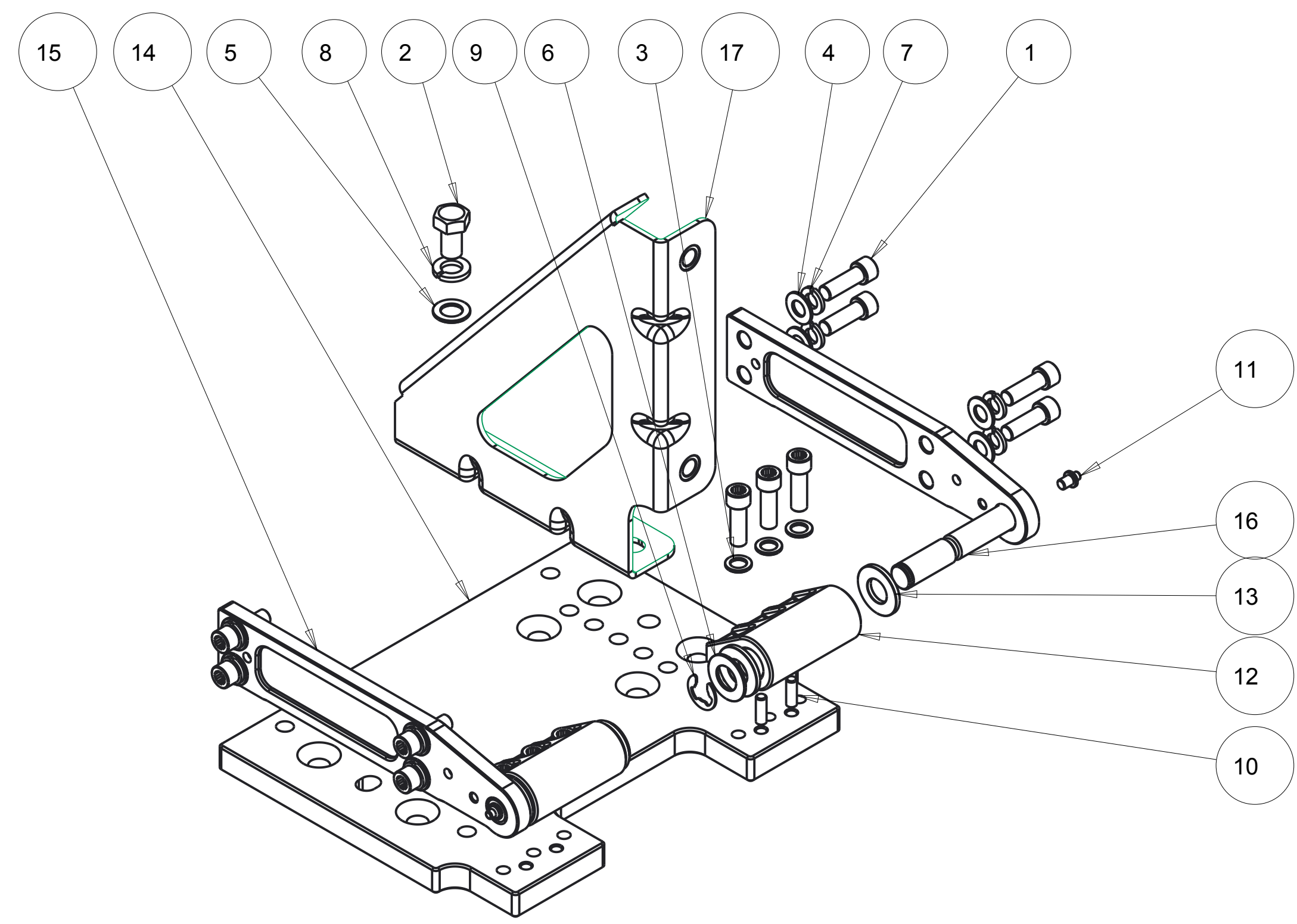


REVISIONS				
ZONE	REV	DESCRIPTION	DATE	APPROVED
--	1	INITIAL RELEASE	02016-OCT-06	--
	2	REPOSITIONED BRACKET	02016-OCT-14	



ITEM NO.	QTY REQD.	PART NO.	DRAWING TITLE OR DESCRIPTION	MANUFACTURER	MFG PART NO.
17	1	520-100-1050	BRACKET 90 DEGREE HINGE, ASSY	ASSY	---
16	2	520-100-1023	FIXED HINGE SHAFT	FAB	---
15	2	520-100-1022	STRAP HINGE	FAB	---
14	1	520-100-1020-02	BASE PLATE, CM W/ HINGE	FAB	---
13	4	500-1038	USM, HINGE WASHER, 1.275 OD X .630 ID X .125 TH	FAB	---
12	2	500-1036-01	USM, HINGE, CLEAR HOLE	FAB	---
11	2	94-350-250P-01-23	GREASE FITTING, STRAIGHT, 1/4 IN PRESS FIT, SST	MCMMASTER	2304K22
10	4	90-400-250-750-20	DOWEL PIN, .250 DIA X .750 L18-8	MCMMASTER	90145A540
9	2	90-355-485-042-20	E-CLIP, .625 SHAFT, .485 GROOVE, .042 W, SST	MCMMASTER	98408A140
8	2	90-310-510-870-120-20	WASHER, SPLIT LOCK .510 ID X .87 OD X .120TK, 18-8 SST	MCMMASTER	92146A033
7	8	90-310-380-680-090-20	WASHER, SPLIT LOCK .380 ID X .68 OD X .090TK, 18-8 SST	MCMMASTER	92146A031
6	2	90-300-640-1190-060-20	WASHER, .640" ID X 1.19" OD X .060" TH, 300 SST	MCMMASTER	98017A215
5	2	90-300-515-875-060-20	WASHER, .515 ID X .875 OD X .060 18-8	MCMMASTER	98017A210
4	8	90-300-406-813-060-20	WASHER, .406" ID X .813" OD X .060" TH, 18-8 SST	MCMMASTER	96659A108
3	6	90-300-390-625-060-20	WASHER, .390 X .625 OD X .060 THICK, SST	MCMMASTER	98017A200
2	2	90-104-500C-875-20	HEX BOLT, 1/2-13 X .875 SST 18-8	MCMMASTER	92240A711
1	14	90-100-375C-1125-20	SCREW, 3/8-16 X 1.125 SHC 18-8	MCMMASTER	92196A625

UNLESS OTHERWISE SPECIFIED DIMENSIONS ARE IN INCHES. TOLERANCES ARE: .X +/- 0.1 .XX +/- 0.01 .XXX +/- 0.001 ANGLES +/- 0.5 INTERPRET DIMENSIONS PER ASME Y14.5M 1994 (R2004)	PRO/E REPORTED PARAMETERS	DESIGNER G STAPLES	
	PRO/E MATERIAL N/A	ENGINEER G STAPLES	02016-OCT-06
	PRO/E MASS 20.891	DRAFTER G STAPLES	02016-OCT-06
	PRO/E VOLUME N/A	CHECKED ---	02016-OCT-06
	PRO/E DRAWING FILE NAME: 520-100-9002	DO NOT SCALE DRAWING	

UNIVERSAL SONAR MOUNT		
ASSY, COMPACT HINGE		
SIZE	CUSTOMER DRAWING/PART NO. ---	REV 2
C	DRAWING/PART NO. 520-100-9002	
SCALE 0.375	SHEET 2 OF	

CUSTOMER DRAWING/PART NO. ---
DRAWING/PART NO. 520-100-9002
REV 2 SHT 1

4

3

2

1

REVISIONS
SEE SHEET 1

CUSTOMER DRAWING/PART NO.

DRAWING/PART NO.

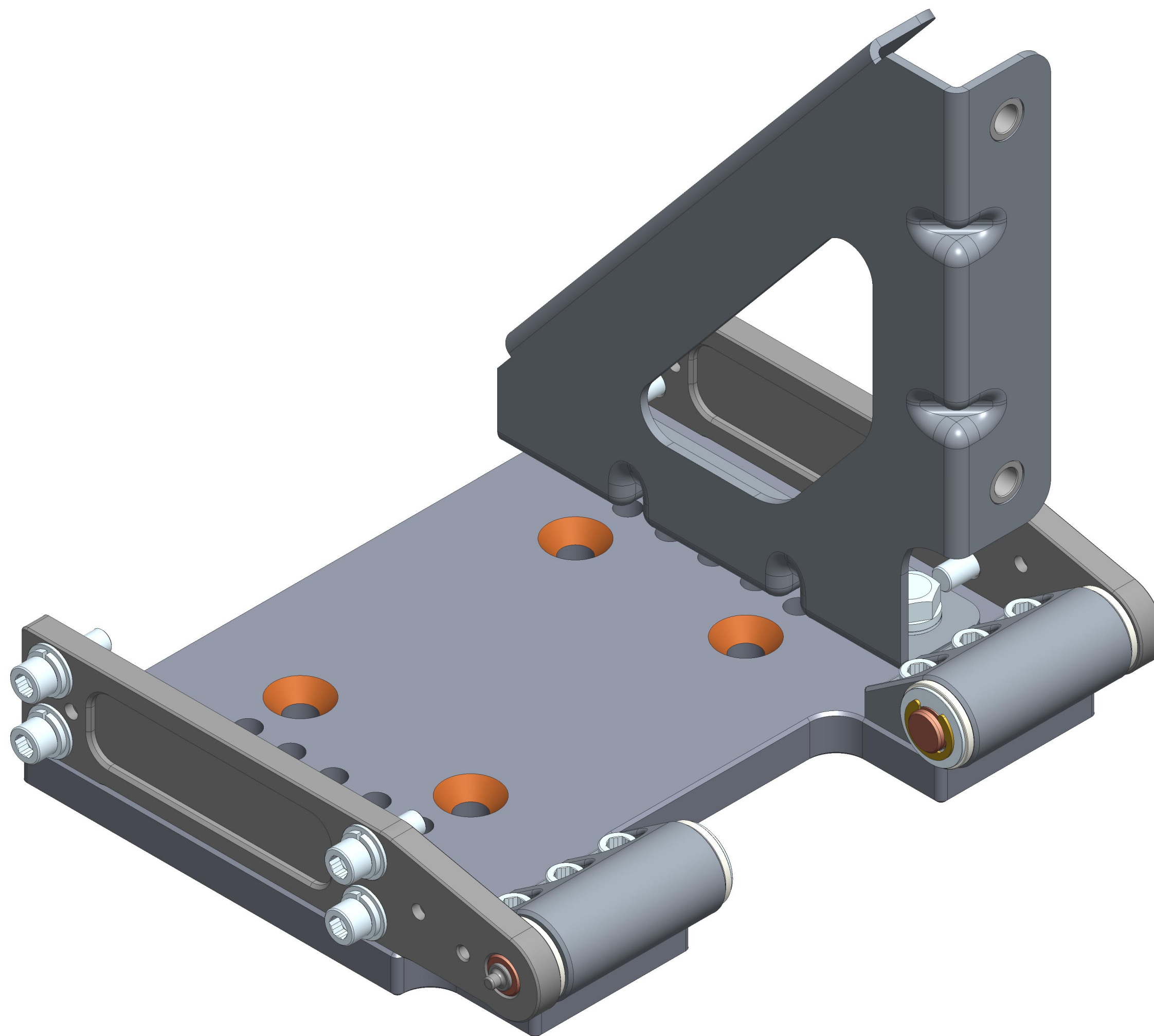
520-100-9002

REV

2

SHT

2



UNIVERSAL SONAR MOUNT

ASSY, COMPACT HINGE

SIZE	CUSTOMER DRAWING/PART NO.	REV
C	---	2
	DRAWING/PART NO.	
	520-100-9002	

SCALE 0.750 SHEET 2 OF

4

3

2

1

A

D

C

B

A

D

C

B

A