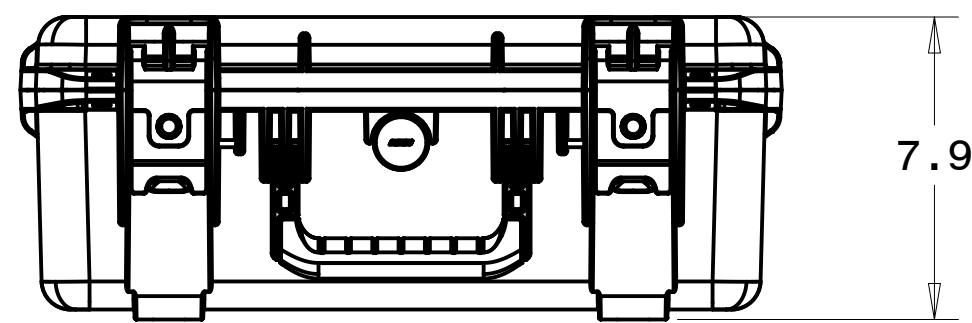
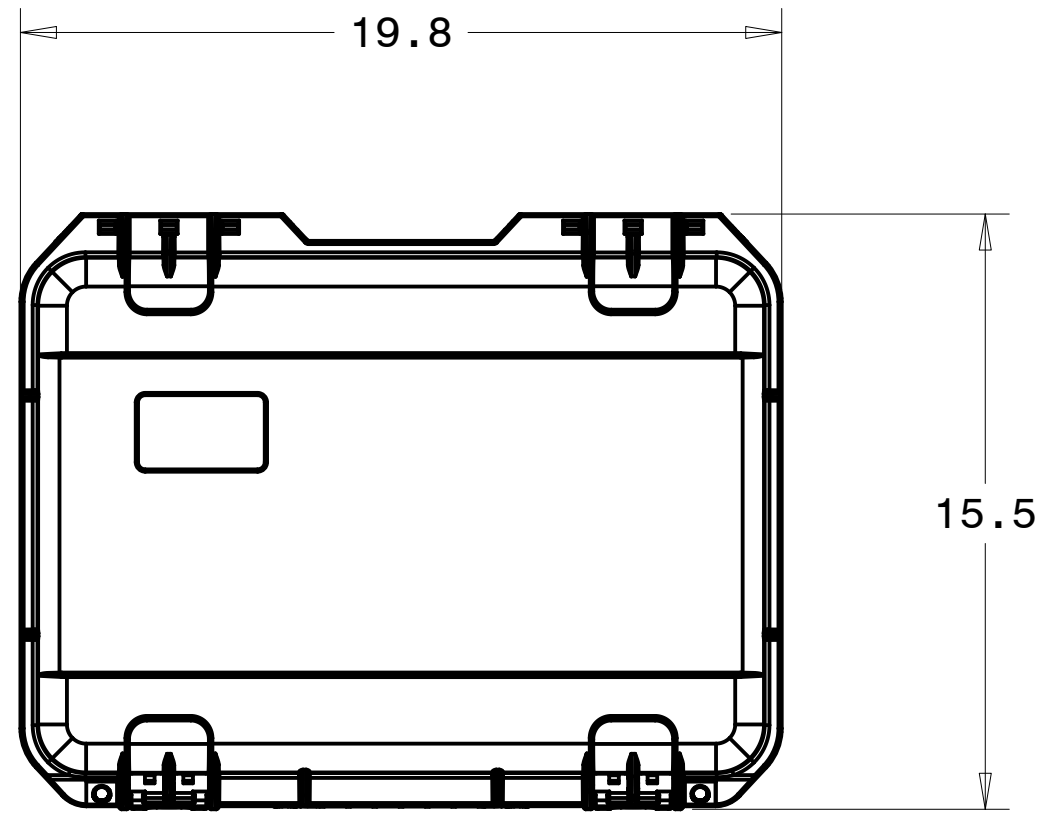


REVISIONS				
ZONE	REV	DESCRIPTION	DATE	APPROVED
--	1	INITIAL RELEASE	2020-MAY-28	GS
	2	ADDED 9/16 WRENCH, 7/32 ALLEN	2023-JAN-23	MZ



14	1	HEX-WRENCH-SET-L	ALLEN KEY SET
13	1	599-750-HEX-DRIVER	SOCKET, 3/4 X 1/4 DRIVE, (GEAR DRIVE TOOL)
12	1	599-4205	TORQUE WRENCH, 3/8 DRIVE
11	1	599-4204	RATCHET, 3/8 DRIVE
10	1	599-4150	ALLEN DRIVE, 7/32, 2" OAL 3/8D
9	1	599-4147-01-02	ALLEN BIT, 5/16 X 3/8 DRIVE, 6-1/8 OAL
8	1	599-4146-01	ALLEN BIT, 3/8 X 3/8 DRIVE, 1 7/8 OAL
7	1	599-4008	COMBINATION WRENCH, 3/4
6	1	599-4006	COMBINATION WRENCH, 9/16 x 8.625L, POLISHED
5	1	560-190-9001	SHEAR BLOCK WRENCH
4	4	502-4001	PLASTIC BOX, CLEAR, 9 1/8 x 4 3/8 x 1 3/8
3	1	502-001-1930C	TOOL CASE, EMPTY
2	3	500-001-1014	SHEAR BLOCK, HT-MT
1	1	075-SOCKET	SOCKET, 3/4 X 3/8 DRIVE
ITEM NO.	QTY REQD.	PART NO.	DRAWING TITLE OR DESCRIPTION

UNLESS OTHERWISE SPECIFIED DIMENSIONS ARE IN INCHES. TOLERANCES ARE:	CREO REPORTED PARAMETERS	DESIGNER	
		G STAPLES	
.X +/- 0.1	CREO MATERIAL N/A	ENGINEER G STAPLES	2023-JAN-23
.XX +/- 0.01	CREO MASS N/A	DRAFTER G STAPLES	2023-JAN-23
.XXX +/- 0.001	CREO VOLUME N/A	CHECKED ---	02021-MMM-DD
ANGLES +/- 0.5	CREO DRAWING FILE NAME: 502-001-9930	DO NOT SCALE DRAWING	
INTERPRET DIMENSIONS PER ASME Y14.5M 1994 (R2004)			

UNIVERSAL SONAR MOUNT		
USM TOOL CASE		
SIZE	CUSTOMER DRAWING/PART NO.	REV
C	---	2
	DRAWING/PART NO. 502-001-9930	
SCALE	0.400	SHEET 1 OF 2

CUSTOMER DRAWING/PART NO.

DRAWING/PART NO.

502-001-9930

REV

2

SHT

1

A

4

3

2

1

REVISIONS
SEE SHEET 1

D

D

C

B

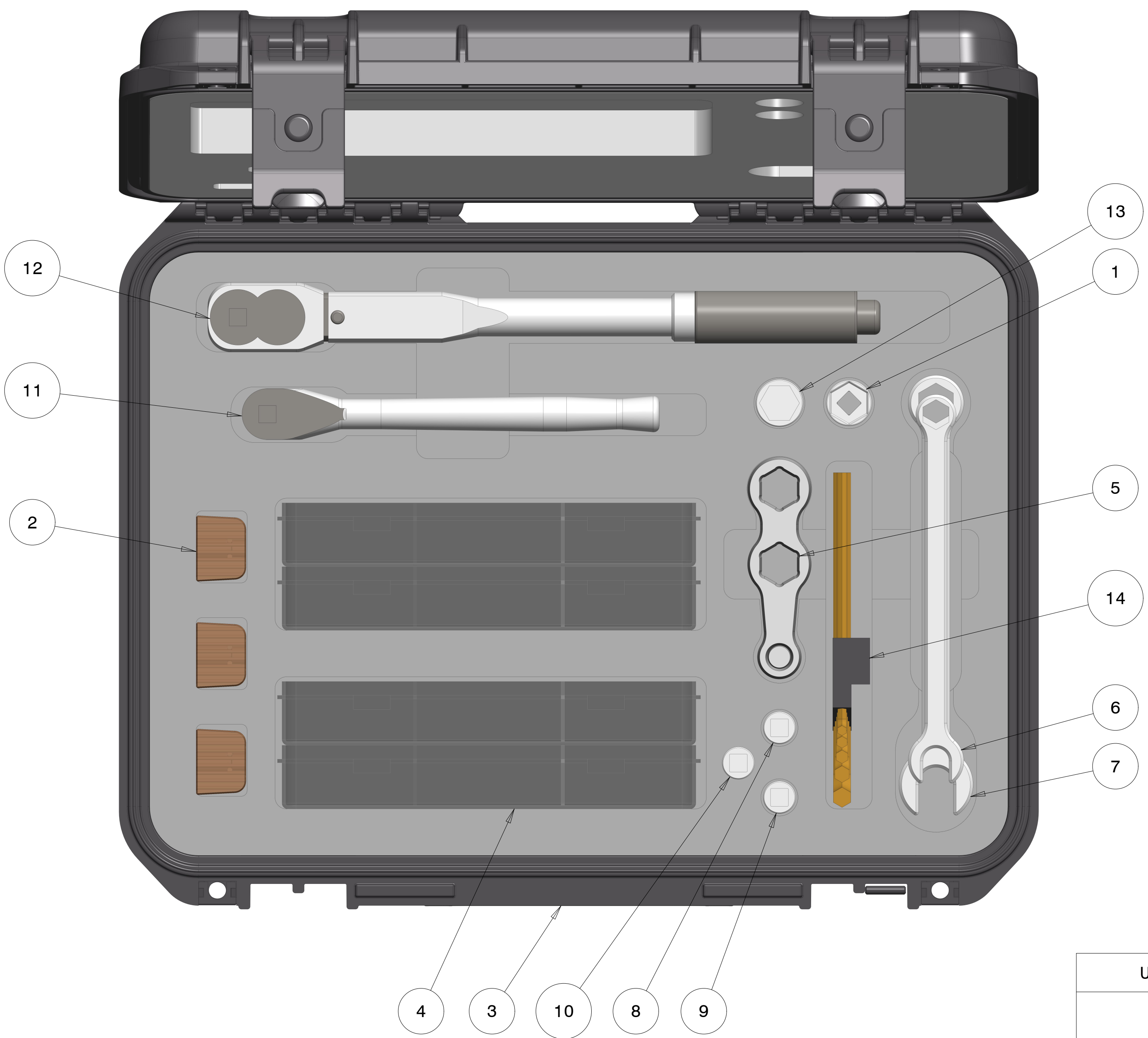
A

CUSTOMER DRAWING/PART NO. ---

DRAWING/PART NO. 502-001-9930

REV 1

SHT 2



UNIVERSAL SONAR MOUNT		
USM TOOL CASE		
SIZE	CUSTOMER DRAWING/PART NO.	REV
C	---	1
	DRAWING/PART NO.	
	502-001-9930	
SCALE	0.200	SHEET 2 OF 2

4

3

2

1

A