

MODELS

KFM-CG-(40, 50, 60, 80, 100, 120)-S

KFM-CG-(40, 50, 60, 80, 100, 120)-R

**CURVED GLASS DELI CASE
DESIGNED FOR FRESH MEAT**

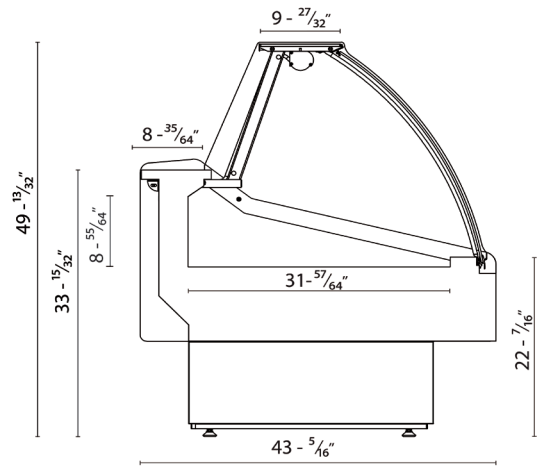
CASE HOLDS 33°F TO 40°F • LOW VELOCITY FORCED AIR REFRIGERATION MAINTAINS HIGH HUMIDITY
TEMPERED TILT OUT CURVED FRONT GLASS • TEMPERED SIDE GLASS AND REAR SLIDING DOORS
CASES CAN BE MULTIPLEXED



AUTODESK®
REVIT®

SELF CONTAINED	Model	O.A. Length (inches)	Volume FT ³	Electrical 115 Volts					NEMA 115 V Plug	Weight lbs		Crate Size (inches)			
				Front	Compressor		LIGHTS Fans HTRS	EVAP PAN		Total Amps	No Crate	With Crate	L"	W"	H"
					H.P	F.L.A									
	KFM-CG-40-S	40.4	12.35	3/8	8.4	0.95	3.3	12.68	5-15P	333	494	48	44	42	
	KFM-CG-50-S	52.2	16.27	1/2	9.6	0.96	3.3	13.89	5-15P	377	560	59	44	42	
	KFM-CG-60-S	60	18.88	1/2	9.6	1.08	3.3	14.01	5-15P	427	626	67	44	42	
	KFM-CG-80-S	77.5	24.70	5/8	8.9	1.68	3.3	13.91	5-15P	531	794	85	44	42	
	KFM-CG-100-S	101.2	32.54	3/4	16	1.81	3.3	21.14	N/A	658	937	109	44	42	
	KFM-CG-120-S	117	37.76	3/4	16	2.06	3.3	21.39	N/A	785	1160	124	44	42	

REMOTE	Model	O.A. Length (inches)	115 Volts Total Amps	B.T.U	Weight lbs	
					No Crate	With Crate
					KFM-CG-40-R	40.4
KFM-CG-50-R	52.2	0.51	3015	322	505	
KFM-CG-60-R	60	0.63	3159	373	571	
KFM-CG-80-R	77.5	0.78	4345	498	761	
KFM-CG-100-R	101.2	0.91	5112	604	882	
KFM-CG-120-R	117	1.16	5472	721	1093	



STANDARD FEATURES

- CFC free injected foam insulation
 - Stainless steel interior
 - Stainless steel rear work bench
 - Silver colored PVC coated steel front panel
 - Black steel kick plate
 - Foamed polystyrene black end panels
 - Tempered tilt-forward front glass
 - Removable rear tempered glass sliding doors
 - LED lighting in canopy
 - Temperature and defrost regulated by a digital controller
 - Removable condensate evaporating pan for easy cleaning on self contained units
 - Slide out condensing unit on self-contained units
 - Digital thermometer
 - Levelling feet
- ### OPTIONAL FEATURES
- Stainless steel exterior
 - Other colors available
 - Joining Kit
 - Partition
 - Condensate evaporating pan for remote cases
 - White epoxy bi-level wire racks; 2 or 3 level step sham
 - Scale stand with receptacle
 - Cutting board
 - Knife Supprt
 - Casters add 4-3/8" to height
 - Stainless steel legs are adjustable from 5-1/8" to 7-5/8"

Standard Mounting



Levelling Feet

Optional Mounting



Adjustable Legs



Casters

NOTE

These cases are engineered to operate in locations not exceeding 75°F and 55% R.H. These cases are designed to operate using R404a refrigerant. Alternate refrigerants available by special order. O.A. length includes (2) ends at 1-1/2" each. Ventilation grills at front and back cannot be blocked. B.T.U.s are calculated at 14°F (evaporator) and 90°F (ambient). Remote cases are provided with an expansion valve and a liquid solenoid for pump down cycle. On remote cases, if no floor drain is provided, a condensate evaporating pan must be ordered and 3.3 amps added to the amp load. Remote cases must be hard wired – no plugs.

WARRANTY

One year parts and labor with an additional four years on the compressor (part only)



Hydra - Kool is a registered trademark of MVP Group Corp.
SPECIFICATIONS SUBJECT TO CHANGE WITHOUT NOTICE