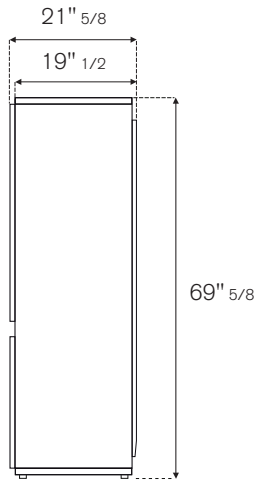
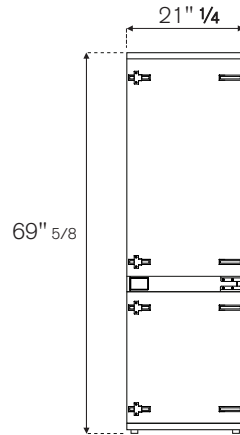
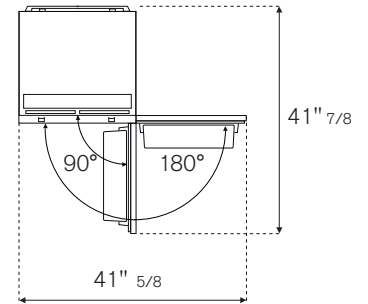
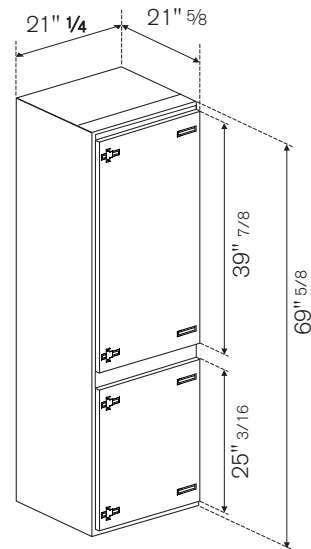
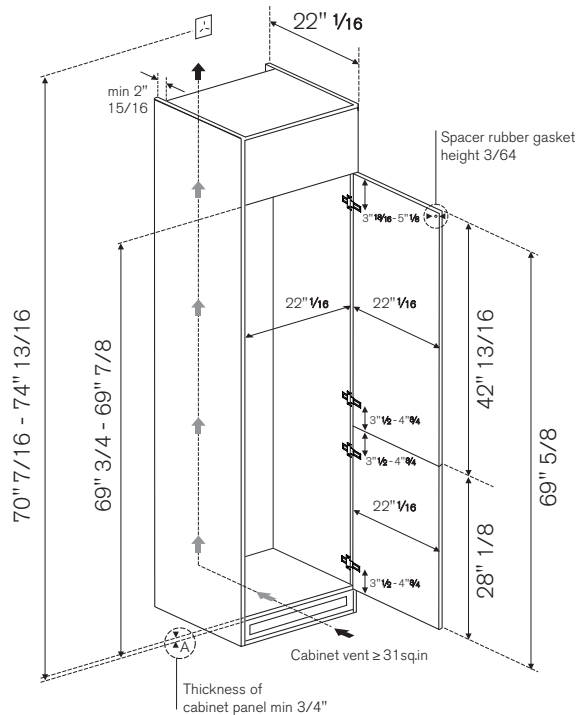


**SIDE****FRONT****TOP****CUTOUT DIMENSIONS**

The refrigerator is installed on the cabinet base shelf and not on the kitchen floor.

**ELECTRICAL CONNECTION**

A properly-grounded, electrical receptacle should be installed. A separate circuit breaker servicing only this appliance is recommended. Do not use a multi-purpose socket with other electrical appliances.

**INSTALLATION REQUIREMENTS**

The max weight for the cabinet panels is 37.5 lbs (17kg) per panel.