
BERTAZZONI
INSTALLATION MANUAL

FREESTANDING FULL GAS RANGES



TABLE OF CONTENTS

WARNINGS	4
DATA RATING LABEL	6
BEFORE INSTALLATION	6
VENTILATION PREPARATION	7
SPECIFICATIONS	7
CLEARANCE DIMENSIONS	9
INSTALLATION REQUIREMENTS	10
Electrical	10
Gas	10
ELECTRICAL CONNECTION	10
WIRING DIAGRAM	11
GAS CONNECTION	12
Manual shut-off valve	12
Flexible connections	12
Pressure test-point stopper valve	12
Pressure regulator	13
INSTALLATION	14
Unpackaging the range	14
Removing the oven door	14
Installing the legs	15
Installing the worktop frontguard	15
Installing the island trim	16
Installing backguard (optional)	16
INSTALLING THE ANTI-TIP DEVICES	17
Anti-tip brackets	17
Anti-tilt chain	17
GAS CONVERSION	18
INSTALLATION CHECKLIST	22
FINAL PREPARATION	22
BERTAZZONI SERVICE	23

Models

MAST244GASXB

MAST244GASNEE

MAST244GASBIE

MAST244GASXELP

MAST244GASXE

PROF244GASXELP

PROF244GASXE

Models

PROF244GASXELP

PROF244GASXE

WARNINGS

To ensure proper and safe operation, the appliance must be properly installed and grounded by a qualified technician. DO NOT attempt to adjust, repair, service, or replace any part of your appliance unless it is specifically recommended in this manual. All other servicing should be referred to a qualified servicer. Have the installer show you the location of the gas shutoff valve and how to shut it off in an emergency. A certified technician is required for any adjustments or conversions to Natural or LP gas.

FOR THE INSTALLER: Before installing the Bertazzoni appliance, please read these instructions carefully. This appliance shall be installed in accordance with the manufacturer's installation instructions.

IMPORTANT: Leave these instructions with the owner, who should save them for local inspector's use and for future reference. DO NOT remove permanently affixed labels, warnings, or plates from product. This may void the warranty.

Installation must conform with all local codes. In the absence of codes:

- **United States:** installation must conform with the National Fuel Gas Code ANSI Z223.1 NFPA54
- **Massachusetts:** All gas products must be installed by a "Massachusetts" licensed plumber or gasfitter. A "T" type handle manual valve must be installed in the gas supply line to the appliance.
- **Canada:** Installation must be in accordance with the current CAN/CGA B149.1 & 2 Gas Installation codes and/or local codes. Electrical installation must be in accordance with the current CSA C22.1 Canadian Electrical Codes Part 1 and/or local codes.

This range is NOT designed for installation in manufactured (mobile) homes or recreational park trailers.

DO NOT install this range outdoors.

This appliance must be properly grounded. Grounding reduces the risk of electric shock by providing a safe pathway for electric current in the event of a short circuit.

Warning!

To avoid risk of property damage, personal injury or death; follow information in this manual exactly to prevent a fire or explosion.

WARNING!

If the information in these instructions is not followed exactly, a fire or explosion may result causing property damage, personal injury or death.

- Do not store or use gasoline or other flammable vapors and liquid in the vicinity of this or any other appliance.
- **WHAT TO DO IF YOU SMELL GAS**
 - Do not try to light any appliance.
 - Do not touch any electrical switch.
 - Do not use any phone in your building.
 - Immediately call your gas supplier from a neighbor's phone. Follow the gas supplier's instructions.
 - If you cannot reach your gas suppliers, call the fire department.
- Installation and service must be performed by a qualified installer, service agency or the gas supplier

DANGER!!! ELECTRIC SHOCK HAZARD!!!

To avoid risk of electrical shock, personal injury or death, verify that the appliance has been properly grounded in accordance with local codes or in absence of codes, with the National Electrical Code (NEC). ANSI/NFPA 70- latest edition.

DANGER!!! GAS LEAK HAZARD!!!

To avoid risk of personal injury or death, leak-testing of the appliance must be conducted according to the manufacturer's instructions. Before placing appliance in operation, always check for gas leaks with water and soap solution.

DO NOT USE AN OPEN FLAME TO CHECK FOR GAS LEAKS.



Warning - tipping hazard

A child or adult can tip over the range and be killed.

Install the anti-tip device to the structure and/or the range. Verify the anti-tip device has been properly installed and engaged.

Engage the range to the anti-tip device by anti-tip brackets or anti-tip chain (see installing the anti-tip device chapter). Ensure the anti-tip device is re-engaged when the range is moved.

Re-engage the anti-tip device if the range is moved. Do not operate the range without the anti-tip device in place and engaged.

See anti-tip device installation instructions for details.

Failure to do so can result in death or serious burns to children or adults.

DO NOT lift the range by the oven door's handle, as this may damage the door hinges and cause the door to fit incorrectly.

DO NOT lift the appliance by the range's control panel.

The unit is heavy and should be handled accordingly. Proper safety equipment such as gloves and adequate manpower of at least two people must be used in moving the range to avoid injury and to avoid damage to the unit or the floor.

Rings, watches, and any other loose items that may damage the unit or otherwise might become entangled with the unit should be removed.

Hidden surfaces may have sharp edges. Use caution when reaching behind or under appliance.

DO NOT use a hand truck or appliance dolly on the back or front of the unit. Handle from the side only.

**WARNING:**

Cancer and Reproductive Harm-
www.P65Warnings.ca.gov.

DATA RATING LABEL

The data rating label shows the model and serial number of the range. It is located under the control panel and in the last page of this manual.

BEFORE INSTALLATION

- This appliance shall only be installed by an authorized professional.
- This appliance shall be installed in accordance with the manufacturer's installation instructions.
- This appliance must be installed in accordance with the norms & standards of the country where it will be installed.
- The installation of this appliance must conform to local codes and ordinances. In the absence of local codes, Installations must conform to American National Standards, National Fuel Gas Code ANSI Z223.1 – latest edition/NFPA 54 or B149.1.
- The appliance, when installed, must be electrically grounded in accordance with local codes or, in the absence of local codes, with the National Electrical Code, ANSI/NFPA 70.

If local codes permit, a flexible metal appliance connection conduit with the new AGA or CGA certified design, max. 5 feet (1,5 m) long, ½" I.D. is recommended for connecting this appliance to the gas supply line. Do not bend or damage the flexible connector when moving the appliance.

This appliance must be used with the pressure regulator provided.

The regulator shall be properly installed in order to be accessible when the appliance is installed in its final location. The pressure regulator must be set for the type of gas to be used. The pressure regulator has ½" female pipe thread. The appropriate fitting must be determined based on the size of your gas supply line, the flexible metal connector and the shutoff valve.

The appliance must be isolated from the gas supply piping system by closing its individual manual shutoff valve during any pressure testing of the gas supply piping system at test pressures equal to or less than 1/2 PSI (13,8" w.c. or 3,5 kPa).

All opening and holes in the wall and floor, back and under the appliance shall be sealed before installation of the appliance.

A manual valve shall be installed in an accessible location in the gas line external to the appliance for the purpose of turning on or shutting off gas to the appliance.

Type of gas

This range can be used with Natural or LP/Propane gas. The range is shipped from the factory for use with the gas indicated on the rating label positioned on the lower face of the control panel and in the last page of this manual. A step by step conversion procedure is also included in this manual and in each conversion kit.

Gas pressure

The maximum inlet gas supply pressure incoming to the gas appliance pressure regulator is 1/2 PSI (13,8" iwc or 3,5 kPa). The minimum gas supply pressure for checking the regulator setting shall be at least 1" iwc (249 Pa) above the inlet specified manifold pressure to the appliance; this operating pressure is 4" iwc (1.00 kPa) for Natural Gas and 10" iwc (2.50 kPa) for LP Gas.

Room ventilation

An exhaust fan may be used with the appliance; in each case it shall be installed in conformity with the appropriate national and local standards. Exhaust hood operation may affect other vented appliances; in each case it shall be installed in conformity with the appropriate national and local standards.

Warning

This appliance should not be installed with a ventilation system that directs air in a downward direction toward the range. This type of ventilation system may cause ignition and combustion problems with the appliance resulting in personal injury, property damage, or unintended operation. Ventilating systems that direct the air upwards do not have any restriction.

Do not use aerosol sprays in the vicinity of this appliance while it is in operation.

VENTILATION PREPARATION

This range will best perform when installed with Bertazzoni exhaust hoods. These hoods have been designed to work in conjunction with the Bertazzoni range and have the same finish for a perfect look.

Before installation of the exhaust hood, consult local or regional building and installation codes for additional specific clearance requirements.

Refer to the range hood installation instructions provided by the manufacturer for additional information.

Select Hood and Blower Models:

- For wall installations, the hood should be equal or larger width than the range. Where space permits, a hood larger than the range may be desirable for improved ventilation performance.
- For island installations, the hood width should overhang the range by a minimum of 3" (76 mm) on each side.

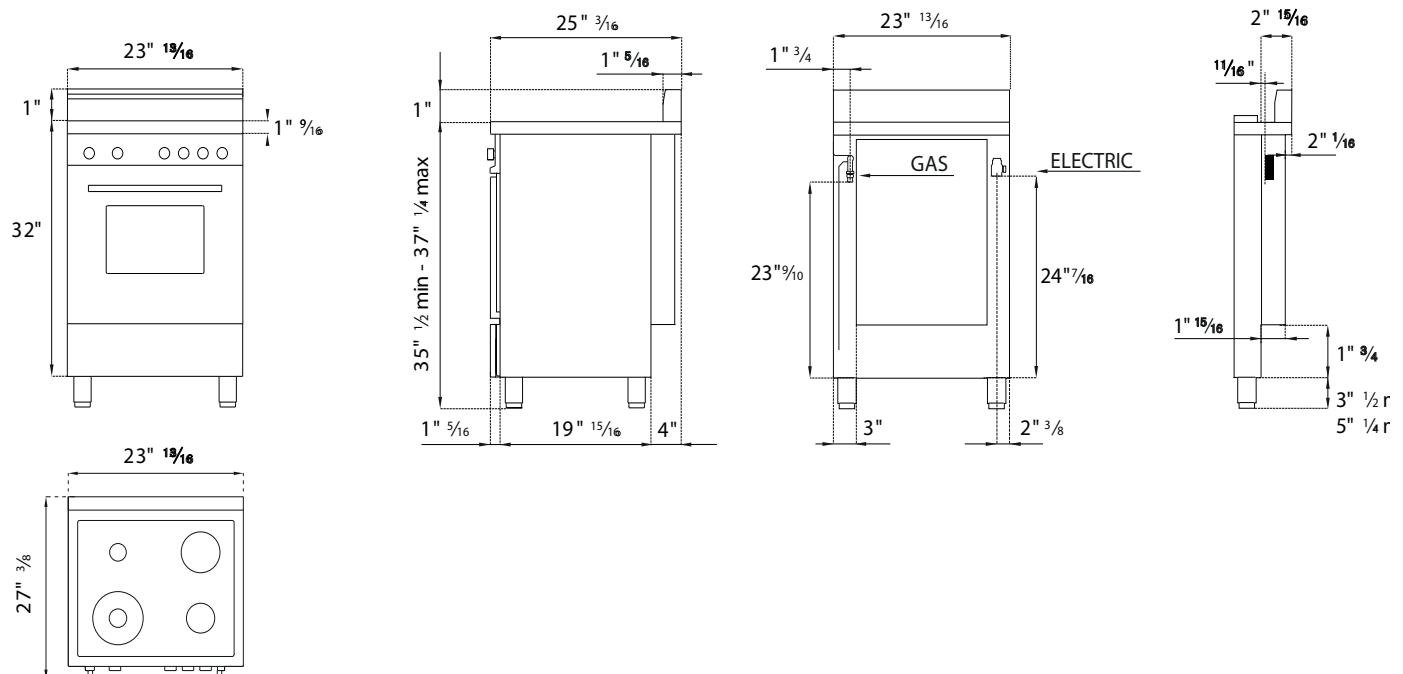
Hood Placement:

- For best removal of smoke and odors, the lower edge of the hood should be installed between 25 1/2" (65 cm) and 31 1/2" (80 cm) above the range cooking surface.
- If the hood contains any combustible materials (i.e. a wood covering), it must be installed at a minimum of 36" (914 mm) above the cooking surface.

Consider Make-Up Air:

Due to the high volume of ventilation air, a source of outside replacement air is recommended. This is particularly important for tightly sealed and insulated homes. A qualified heating and ventilating contractor should be consulted.

SPECIFICATIONS



Burner	Injector diam.[mm]	Gas Type	Pressure [iwc]	Max Rate		Min Rate		By-pass diam.[mm]
				[Btu/hr]	[W]	[Btu/hr]	[W]	
Auxiliary	0.90	NG	4"	3,500	1,025	900	264	Regulated
	0.54	LP (Propane)	10"	3,300	967	900	264	0.29
Semi-rapid	1.18	NG	4"	5,900	1,729	1,500	439	Regulated
	0.70	LP (Propane)	10"	5,500	1,611	1,500	439	0.36
Rapid	1.55	NG	4"	10,400	3,047	2,500	732	Regulated
	0.92	LP (Propane)	10"	9,500	2,783	2,500	732	0.47
Wok burner	1.80	NG	4"	13,600	4,000	5,200	1,520	Regulated
	1.02	LP (Propane)	10"	13,600	4,000	5,200	1,520	0.65
Dual burner	0.80+2.10	NG	4"	19,000	5,567	1,300	381	Regulated
	0.50+1.20	LP (Propane)	10"	19,000	5,567	1,300	381	0.34/0.65
Oven	1.70	NG	4"	12,000	3,516	2,800	820	Regulated
	1.02	LP (Propane)	10"	12,000	3,516	2,800	820	0.48
Broiler	1.35	NG	4"	8,500	2,491	only max	only max	No by-pass
	0.90	LP (Propane)	10"	8,500	2,491	only max	only max	No by-pass

See use and care manual for the layout of the surface burners of your range

CLEARANCES DIMENSIONS

Installation adjacent to kitchen cabinets

This range may be installed directly adjacent to existing countertop high cabinets (36" or 91.5 cm from the floor).

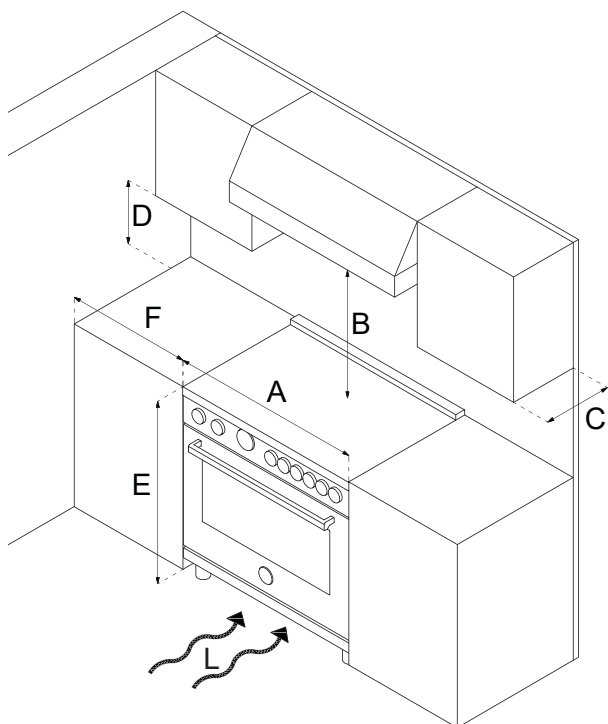
For the best look, the worktop should be level with the cabinet countertop. This can be accomplished by raising the unit using the adjustment spindles on the legs.

ATTENTION: the range CANNOT be installed directly adjacent to kitchen walls, tall cabinets, tall appliances, or other vertical surfaces above 36" (91.4 cm) high. The minimum side clearance in such cases is 6" (15.2 cm).

Wall cabinets with minimum side clearance must be installed 18" (45.7 cm) above the countertop with countertop height between 35 1/2" (90.2 cm) and 37 1/4" (94.6 cm). The maximum depth of wall cabinets above the range shall be 13" (33.0 cm).

Cabinet

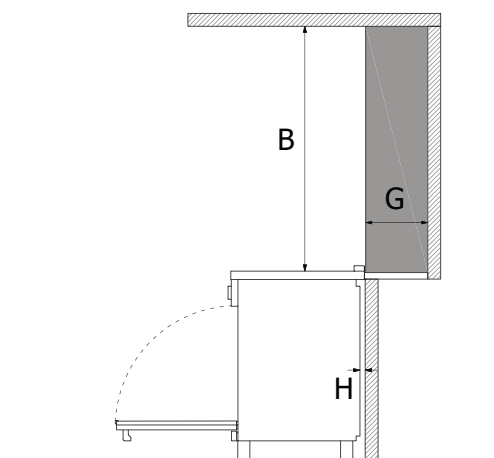
A	24" (60,4 cm)
B	36" (91,5 cm) hood with combustible materials
C	13" (33,0 cm)
D	18" (45,7 cm)
E	35" 1/2(90,2 cm) / 37" 1/4 (94,6 cm)
F	6" (15,2 cm)
G	12"(30,50 cm)



If installing toekick, verify that the sum of the cutout areas equal the recommended ventilation (L)
 24" area 29 sq. inches (18765 mm²)

Metal hood

A	24" (60,4 cm)
B	25 1/2"(65 cm) and 31 1/2" (80 cm)
C	13" (33,0 cm)
D	18" (45,7 cm)
E	35" 1/2(90,2 cm) / 37" 1/4 (94,6 cm)
F	6" (15,2 cm)
G	12"(30,50 cm)
H	1" 9/16(4 cm)



Shaded area behind range indicates minimum clearance to combustible surfaces, combustible materials cannot be located within this area.
 12" (305 mm) min. to combustible surface with Flush Island Trim

For Flush Island installations, counter surface should have a cantilever edge meeting the back section of the Flush Island Trim accessory.

As defined in the "National Fuel Gas Code" (ANSI Z223.1, Current Edition).

Clearances from non-combustible materials are not part of the ANSI Z21.1 scope and are not certified by CSA. Clearances of less than 12" (305 mm) must be approved by the local codes and/or by the local authority having jurisdiction.

INSTALLATION REQUIREMENTS

ELECTRICAL

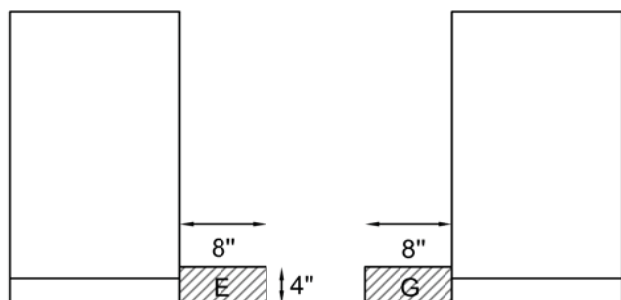
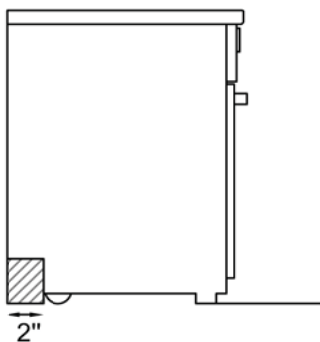
A properly-grounded horizontally-mounted electrical receptacle should be installed no higher than 3" (7.6 cm) above the floor, no less than 2" (5 cm) and no more than 8" (20,3 cm) from the left side (facing product).

Check all local code requirements.

GAS

An agency-approved, properly-sized manual shut-off valve should be installed no higher than 3" (7.6 cm) above the floor and no less than 2" (5 cm) and no more than 8" (20.3 cm) from the right side (facing product).

To connect gas between shut-off valve and regulator, use agency-approved, properly sized flexible or rigid pipe. Check all local code requirements.



 installation area for the connection

ELECTRICAL CONNECTION

Warning!

ELECTRICAL SHOCK HAZARD

Disconnect electrical power at the circuit breaker box or fuse box before installing the appliance.

Provide appropriate ground for the appliance.

Use copper conductors only.

Failure to follow these instructions could result in serious injury or death.

This unit is manufactured for a polarized, grounded 120 volt/60 Hz, 16 amp system.

Electric power consumption is about 2.5A.

The minimum of 102 VAC is required for proper operation of gas ignition systems.

The circuit must be grounded and properly polarized.

The unit is equipped with a SJT power cord and a NEMA 5-15P plug. In case of replacement, the power cord shall be replaced with one of the same type, size and length.

Warning!

Electrical grounding

This appliance is equipped with a three-prong plug for your protection against shock hazard and should be plugged directly into a properly grounded socket. Do not cut or remove the grounding prong from this plug.

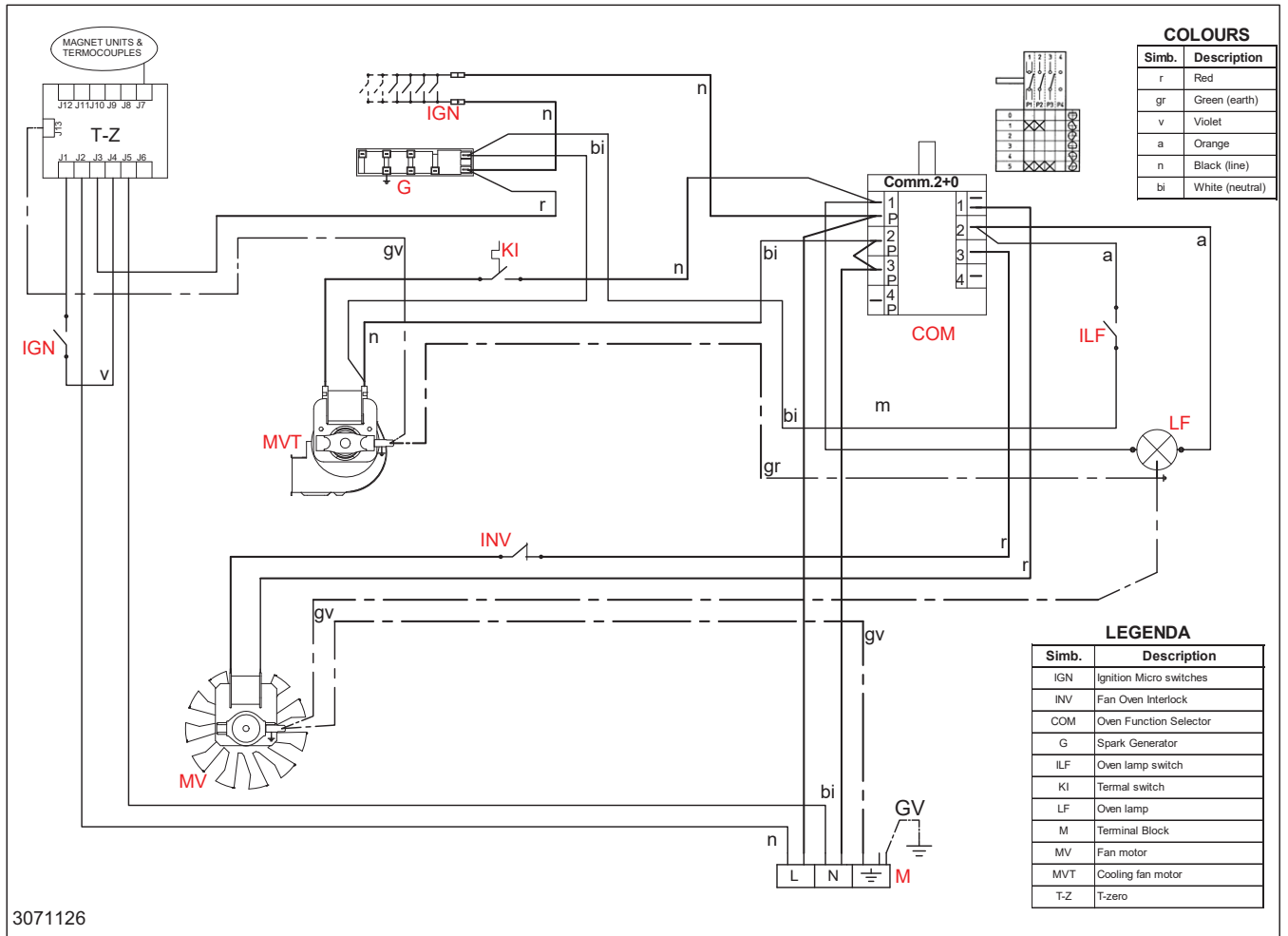
Caution

Label all wires prior to disconnecting when servicing controls. Wiring errors can cause improper and dangerous operation.

Verify proper operation after servicing.

WIRING DIAGRAM

The electric wiring diagrams and schematics are attached behind the range, and should not be removed except by a service technician, then replaced after service.



GAS CONNECTION

Warning!

DO NOT USE AN OPEN FLAME WHEN CHECKING FOR LEAKS!

Leak testing of the appliance shall be conducted according to the manufacturer's instructions. Before placing the oven into operation, always check for leaks with soapy water solution or other acceptable method.

Check for gas leakage with soapy water solution or other acceptable methods in all gas connections installed between inlet gas pipe of the appliance, gas regulator, till to the manual shut-off valve.

All gas connections must comply with national and local codes. The gas supply line (service) must be the same size or greater than the inlet line of the appliance. This range uses a 1/2" NPT inlet (see drawing below for details of gas connection). On all pipe joints use appropriate sealant resistant to gas to joint the adapter to range manifold use only the blue gasket supplied.

If necessary, the appliance must be converted by the dealer, by a factory-trained professional or by a qualified licensed plumber or gas service company.

Gas conversion is important for safe and effective use of the appliance. It is the responsibility of the dealer and the owner of the range to perform the appropriate gas conversion following the directions of the manufacturer.

THE GAS CONVERSION PROCEDURE IS DESCRIBED IN THIS MANUAL AND IN THE PACKAGE CONTAINING THE CONVERSION NOZZLES SHIPPED WITH EVERY RANGE.

Please provide the service person with this manual before work is started on the range.

MANUAL SHUT-OFF VALVE

THIS VALVE IS NOT SHIPPED WITH THE APPLIANCE AND MUST BE SUPPLIED BY THE INSTALLER.

The manual shut-off valve must be installed in the gas service line between the gas hook-up on the wall and the appliance inlet, in a position where it can be reached quickly in the event of an emergency.

In Massachusetts: A 'T' handle type manual gas valve must be installed in the gas supply line to this appliance.

FLEXIBLE CONNECTIONS

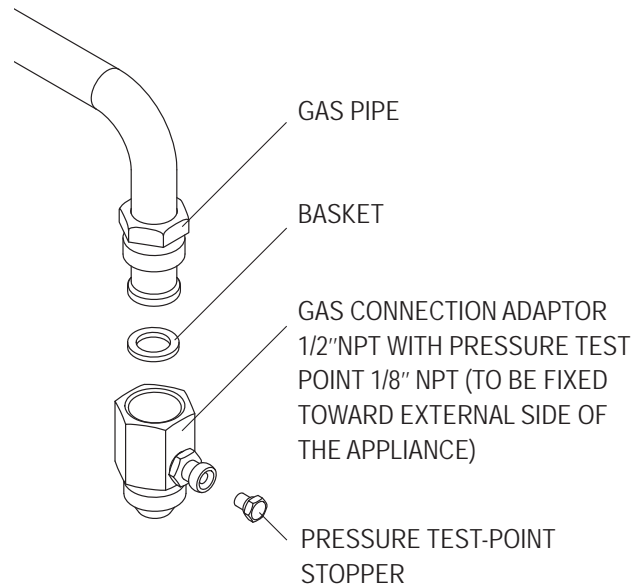
In case of installation with flexible couplings and/or quick-disconnect fittings, the installer must use a heavy-duty, AGA design-certified commercial flexible connector of at least 1/2" (1.3 cm) ID NPT (with suitable strain reliefs) in compliance with ANSI Z21.41 and Z21.69 standards.

In Massachusetts: The unit must be installed with a 36" (3-foot) long flexible gas connector.

In Canada: use CAN 1-6.10-88 metal connectors for gas appliances and CAN 1-6.9 M79 quick disconnect device for use with gas fuel.

PRESSURE TEST-POINT STOPPER VALVE

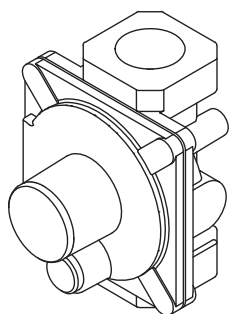
To avoid gas leaks, the pressure test-point stopper valve and gasket supplied with the range must be installed on the gas fitting at the back of the range according to the diagram below.



PRESSURE REGULATOR

Since service pressure may fluctuate with local demand, every gas cooking appliance must be equipped with a pressure regulator on the incoming service line for safe and efficient operation.

The pressure regulator shipped with the appliance has two female threads $\frac{1}{2}$ " NPT. The regulator shall be installed properly in order to be accessible when the appliance is installed in its final position.



Manifold pressure should be checked with a manometer and comply with the values indicated below:

Natural gas 4.0" iwc

LP/Propane 10.0" iwc

Incoming line pressure upstream from the regulator must be 1" iwc higher than the manifold pressure in order to check the regulator.

The regulator used on this range can withstand a maximum input pressure of $\frac{1}{2}$ PSI (13,8" iwc or 3,5 kPa) If the line pressure exceeds that amount, a stepdown regulator is required.

The appliance, its individual shut-off valve, and the pressure regulator must be disconnected from the gas line during any pressure testing of that system at pressures in excess of $\frac{1}{2}$ PSI (13,8" iwc or 3,5 kPa).

The individual manual shut-off valve must be in the OFF position during any pressure testing of the gas supply piping system at test pressures equal to or less than $\frac{1}{2}$ PSI (13,8" iwc or 3,5 kPa).

Warning

Before carrying out any servicing operation disconnect the appliance from gas and electric supply and extra appliance from final installation place in order to have access to the appliance for proper servicing intervention.

INSTALLATION

APPLIANCE INSTALLATION

Unpacking the range

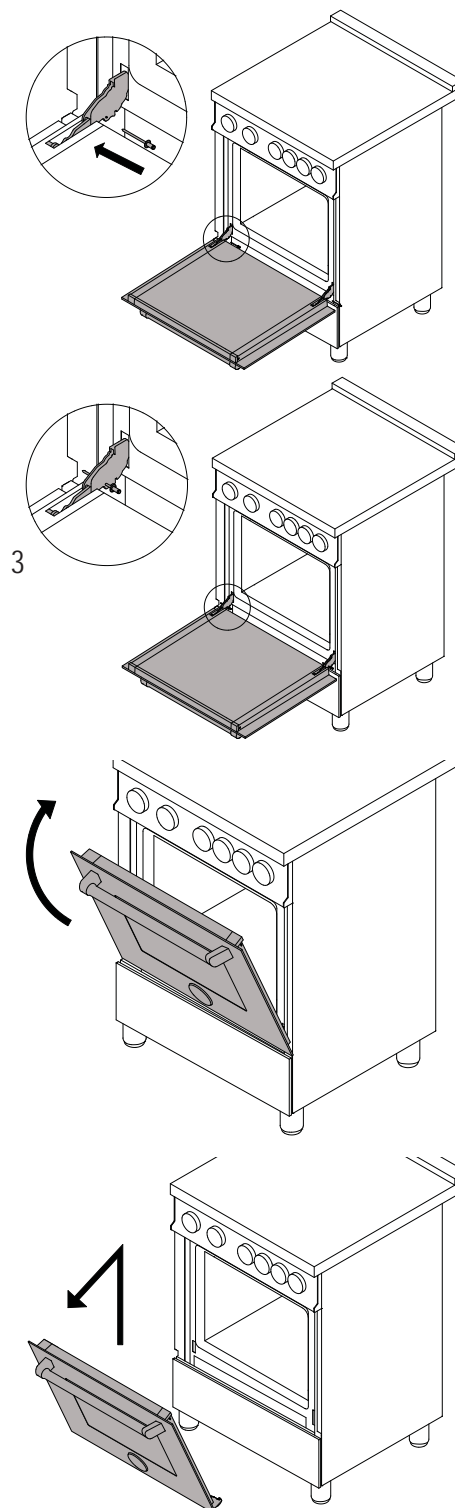
- Remove all packing materials from the shipping pallet but leave the adhesive-backed foam layer over brushed-metal surfaces to protect it from scratches until the range is installed in its final position. Only the film on the side panels should be removed before inserting the range between the cabinets.
- Examine the appliance after unpacking it. In the event of transport damage, do not plug it. Take pictures of the damage and report it immediately to the freight forwarder.
- Remove the oven door(s). This will reduce the weight of the range.
- The grates, griddle plate, burner caps, and oven racks should be removed to facilitate handling.
- Before moving the range, protect the floor to prevent damage.

REMOVING THE OVEN DOOR

Prepare the door for removal. Insert the pin into each hinge. Slowly shut the door until the protruding clamps stop the movement.

Pull oven door upwards and remove.

Do not lift or carry the oven door by its handle!
This may damage the hinges.



INSTALLING THE LEGS

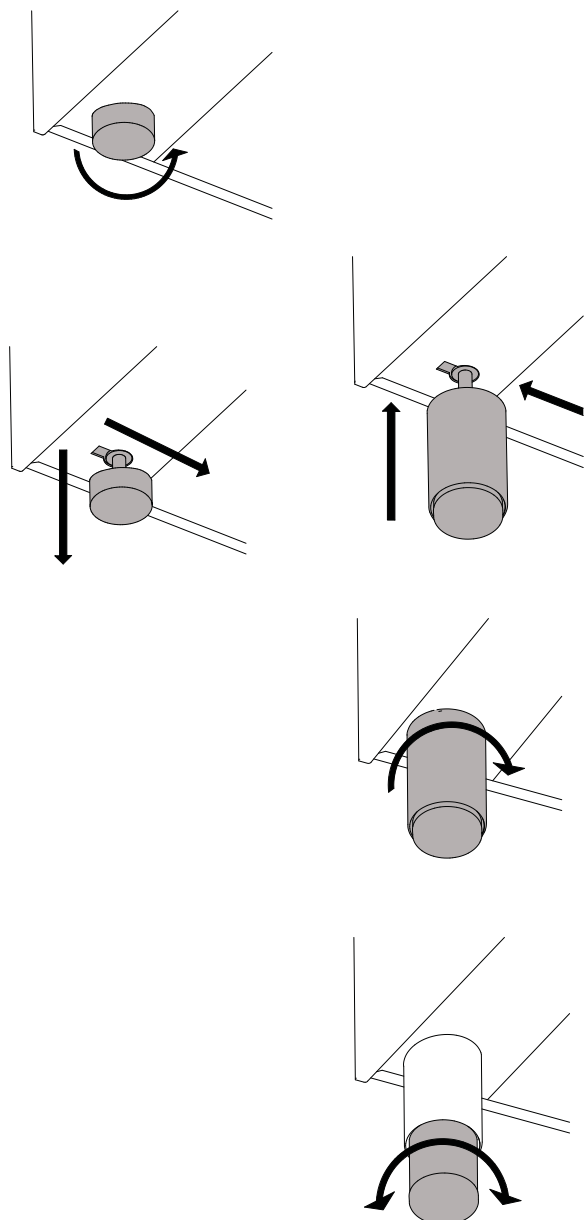
Bertazzoni ranges must be used only with the legs properly installed.

Four height-adjustable legs are supplied with the range in the polystyrene container situated over the appliance.

Before installing the legs, position the appliance near its final location as the legs are not suitable for moving the appliance over long distances.

After unpacking the range, raise it enough to insert the legs in the appropriate receptacles situated on the lower part of the appliance. Lower the range gently to keep any undue strain from legs and mounting hardware. If possible use a pallet or lift jack instead of tilting the unit.

Adjust leg height to the desired level by twisting the inside portion of the leg assembly until the proper height is reached. Check with a level that the cooktop is perfectly level.

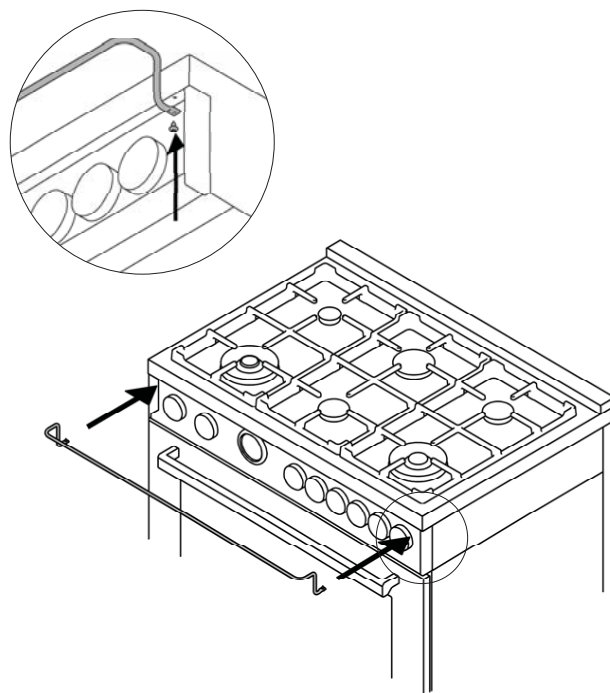


INSTALLING THE WORKTOP FRONTGUARD

To increase the clearance between the front edge of the worktop and the burners, it is possible to install a front guard for the worktop.

To install the front guard,

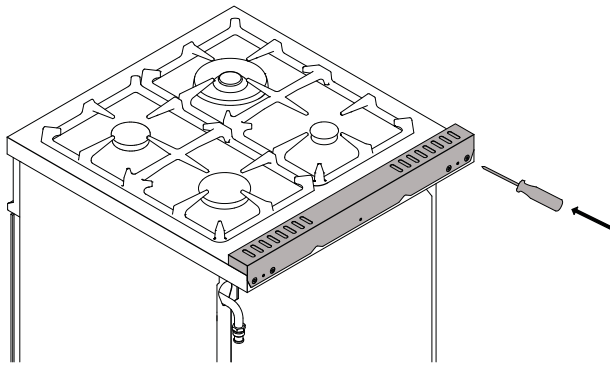
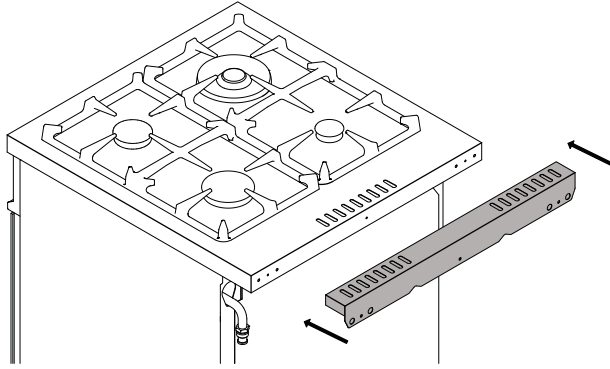
- Locate the two fixing holes on the end of the front guard.
- Locate the two fixing holes on the bottom facet of the worktop
- Fix the front guard with it's two screws



INSTALLING THE ISLAND TRIM

The island trim must be installed prior to operation of the appliance for appropriate ventilation of the oven compartment.

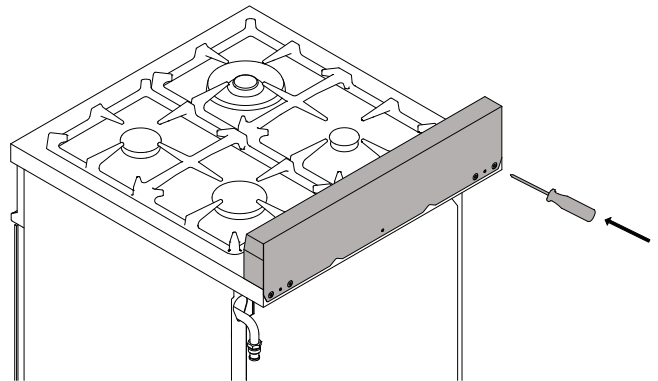
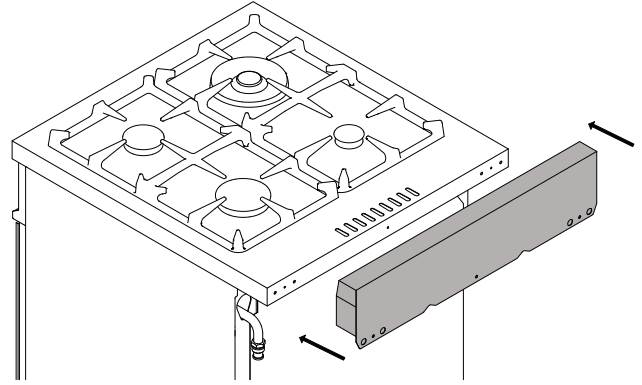
The island trim is only placed on the cooktop, remove all tape and packaging before installing it.



INSTALLING BACKGUARD (OPTIONAL)

The backguard must be installed prior to operation of the appliance for appropriate ventilation of the oven compartment.

The backguard is an optional contact you dealer for buying it.



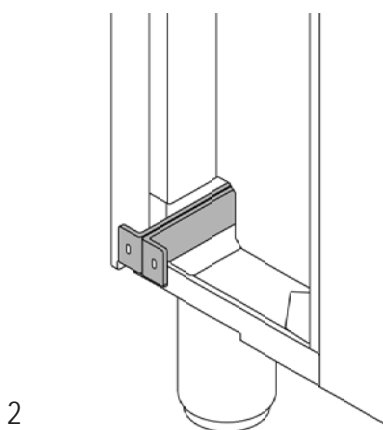
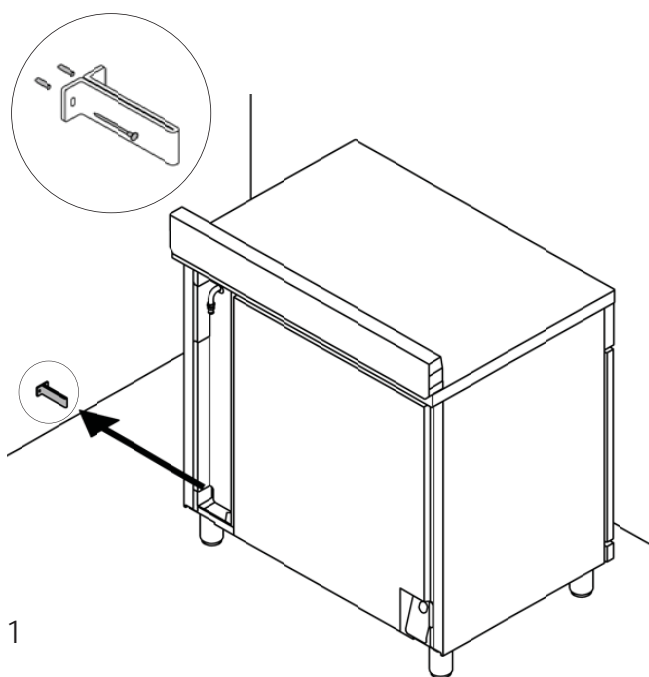
INSTALLING THE ANTI/TIP DEVICES

ANTI-TIP BRACKETS

The anti-tip bracket shipped with the range must be properly secured to the rear wall as shown in the picture below.

The height of the bracket from the floor must be determined after the range legs have been adjusted to the desired height and after the range has been levelled.

- Measure the distance from the floor to the bottom of the anti-tip bracket receptacle on the back of the appliance.
- Position the anti-tip brackets on the wall at the desired height plus 1/8" (0.32 cm). The brackets must be placed at 2"5/16 (6,0 cm) from the side of the range.
- Secure the brackets to the wall with appropriate hardware.
- Slide the range against the wall until the brackets are fully inserted into their receptacles on the back of the range.



ANTI/TILT CHAIN

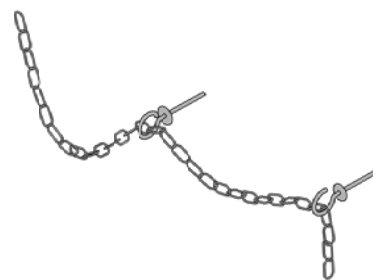
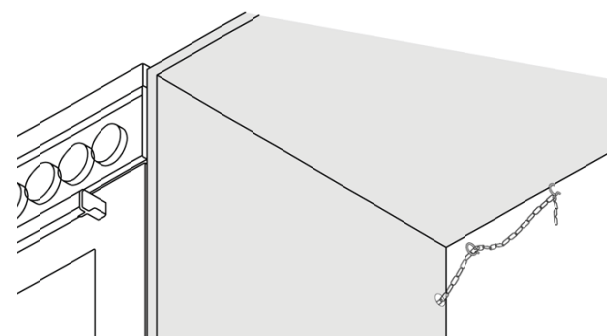
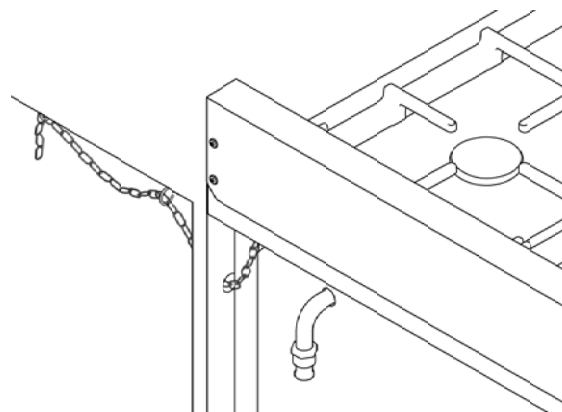
The anti-tilt chain shall be installed on right or left side alternatively according below instructions.

The chain shall be hand pulled and fixed to open hook through closed ring.

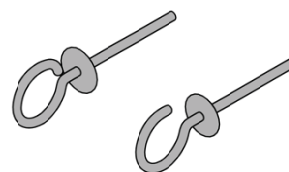
Disengage the chain prior to moving the appliance for service.

Attention:

Once servicing operation have been completed the anti-tilt devices (brackets and chain) shall be re-engaged according above instruction/installations.



CLOSED RING



OPEN HOOK

GAS CONVERSION

Warning!

Before carrying out this operation, disconnect the appliance from gas and electricity.

Gas conversion shall be conducted by a factory-trained professional.

Call the customer service hotline to identify a factory-trained professional near your home.

The gas conversion procedure for this range includes 6 steps:

- Pressure regulator
- Surface burners
- Oven burner
- Broiler burner
- Visual checks prior to closure of oven bottom panel
- Adjustment of minimum setting

The conversion is not completed if all 6 steps have not been concluded properly.

Before performing the gas conversion, locate the package containing the replacement nozzle shipped with every range.

IMPORTANT: Each nozzle has a number indicating its flow diameter printed on the body. Consult the table number 1 for matching nozzles to burners.

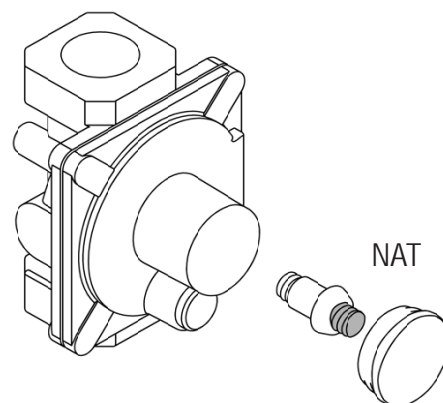
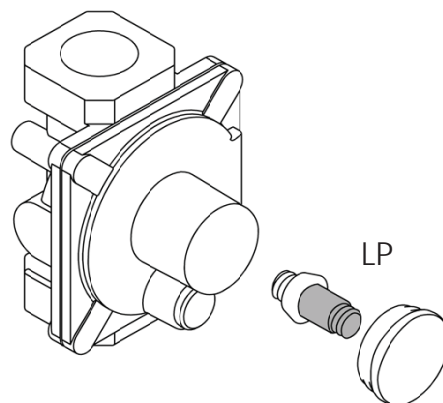
Save the nozzles removed from the range for future use.

Step 1: pressure regulator

The pressure regulator supplied with the appliance is a convertible type pressure regulator for use with Natural Gas at a nominal outlet pressure of 4" iwc or LP gas at a nominal outlet pressure of 10"iwc. and it is pre-arranged from the factory to operate with one of these gas/pressure as indicated in the labels affixed on the appliance, package and Instruction booklet.

To convert the regulator for use with the other gas: Unscrew by hand the upper cap of the regulator, remove the white plastic attachment from the cap, reverse its direction and screw it again firmly against the cap. The white plastic attachment has arrows indicating the position for natural gas (NAT) and LP gas (LP).

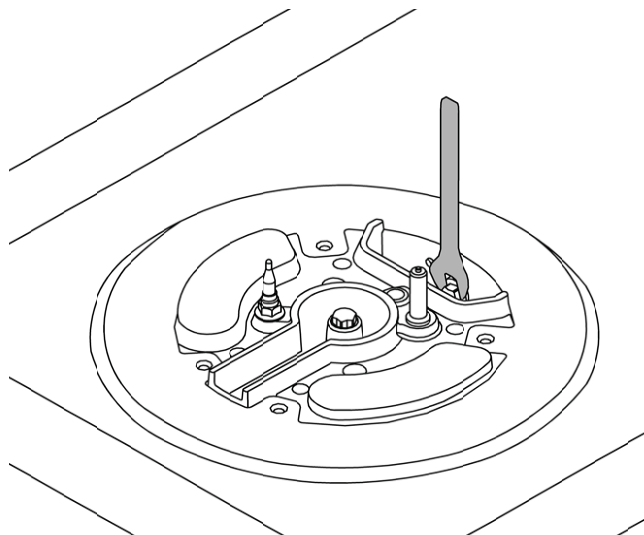
Screw by hand the metal cap in the original position on the regulator.



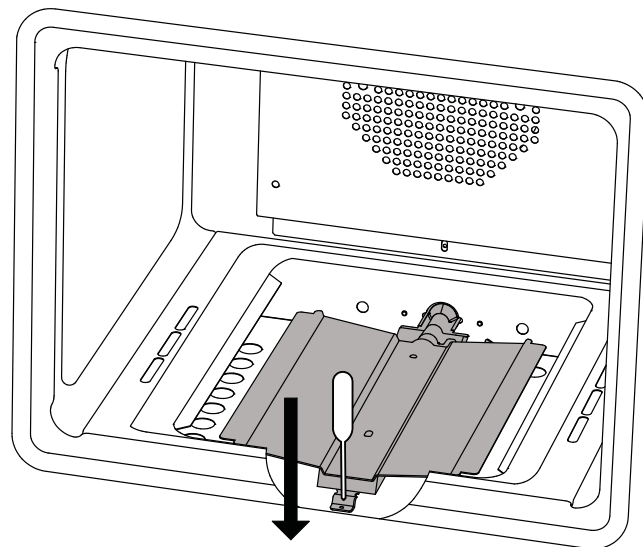
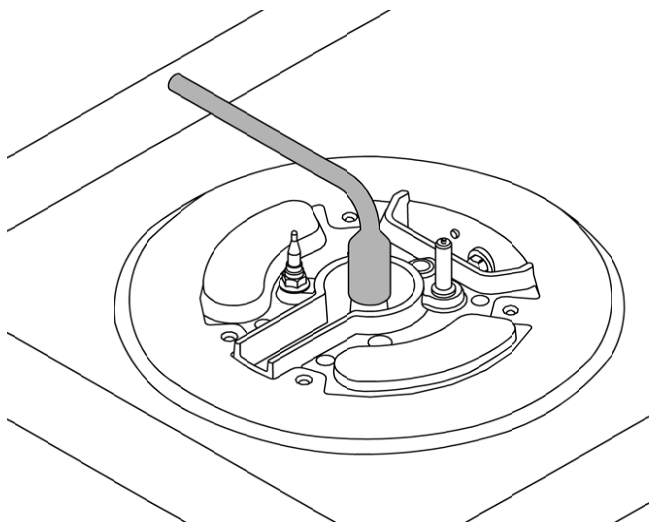
Step 2: surface burners

To replace the nozzles of the surface burners, lift up the burners and unscrew the nozzles shipped with the range using a 7 mm (sochet wrench).

Replace nozzles using the conversion set supplied with the range or by a Bertazzoni authorized parts warehouse. Each nozzle has a number indicating its flow diameter printed on the body. Consult the table number 1 and matching nozzles to burners.



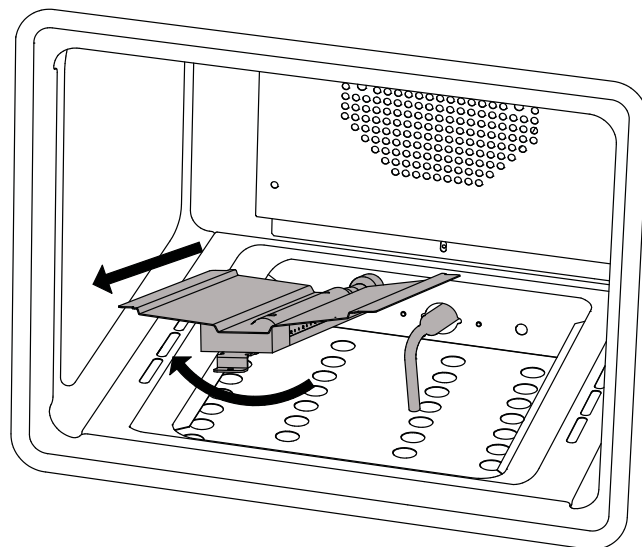
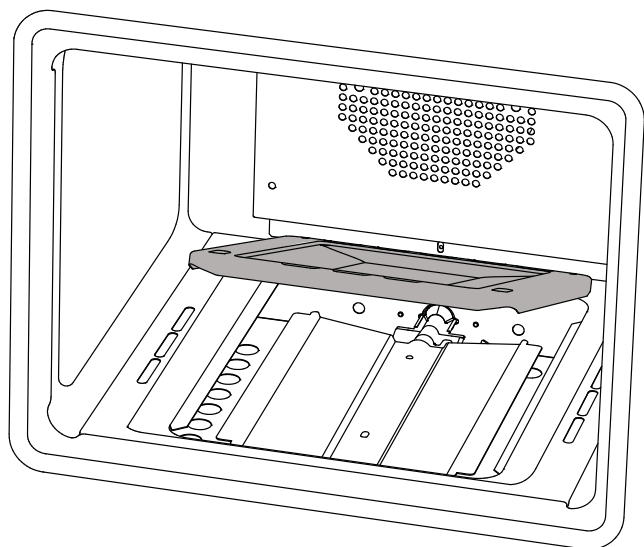
Remove the screw located on the right side of the burner and pull out the burner from its support.
ATTENTION: pay extra attention to avoid damage to the igniter and thermocouple.



Step 3: oven burner (main or auxiliary)

To replace the nozzles of the main oven burner, start by removing the door and the bottom panel of the oven.

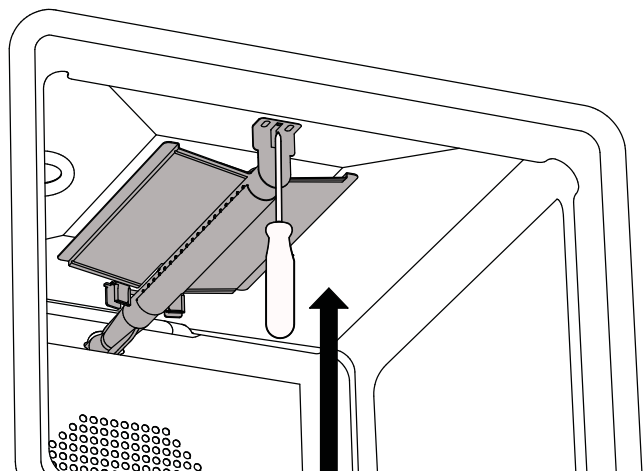
Unscrew the nozzle located inside the gas fitting using a 7 mm [socket wrench].
 Replace the nozzle as table number 1.



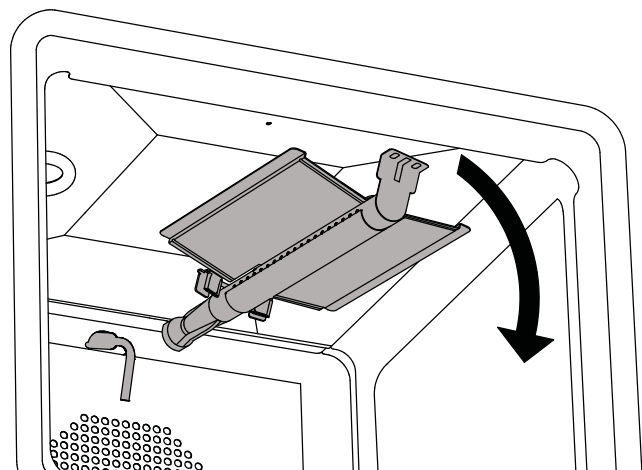
Step 4: broiler burner

Remove the screw and pull out the burner from its support.

ATTENTION: pay extra attention to avoid damage to the igniter and thermocouple.



Unscrew the nozzle located inside the gas fitting using a 7 mm [socket wrench]. Replace the nozzle as table number 1.



Step 5: visual checks

Oven

Before reinstalling the bottom panel, the following visual check must be performed to ensure that the conversion has been carried out properly and without damage to other components of the range.

Verify that the flame of the oven/broiler burner be completely blue and with regular aspect as shown below.

Surface burners

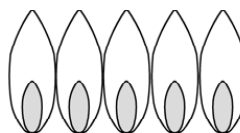
The burner flame color should be blue with no yellow on the tips. It is not uncommon to see orange in the flame color; this indicates the burning of airborne impurities in the gas and will disappear with use. With propane (LP) gas, slight yellow tips on the

primary cones are normal.

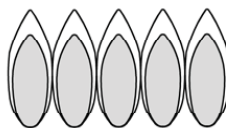
The flame should burn completely around the burner cap. If it doesn't, check that the cap is positioned

correctly on the base and that the ports are not blocked.

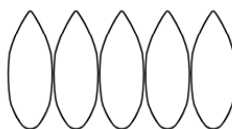
The flame should be stable with no excessive noise or fluttering.



yellow flames:
further adjustment is required



yellow tips on outer cones:
normal for LP gas



soft blue flames:
normal for natural gas

After performing all these visual checks, reinstall the bottom panel of the oven compartment and proceed to setting the minimum for each burner.

Step 6: minimum flame adjustment

WARNING!

These adjustments should be made only for use of the appliance with natural gas. For use with liquid propane gas, the choke screw must be fully turned in a clockwise direction.

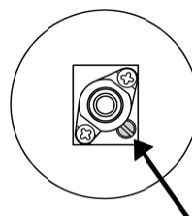
SURFACE BURNERS

Light one burner at a time and set the knob to the MINIMUM position (small flame).

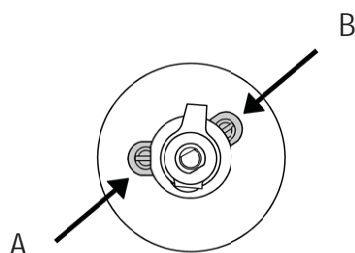
Remove the knob.

The range is equipped with a safety valve. Using a small-size slotted screwdriver, locate the choke valve on the valve body and turn the choke screw to the right or left until the burner flame is adjusted to desired minimum.

Make sure that the flame does not go out when switching quickly from the MAXIMUM to the MINIMUM position.



For the gas valve of dual burner the choke valve is located on the valve body (fig.20), the A screw adjust the outer ring, the B screw adjust the inner ring.



OVEN BURNER

Reinstall the oven door.

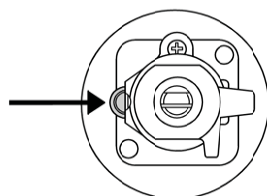
Set the oven temperature control knob to the MAXIMUM setting.

Close the oven door and operate the oven for at least 10 minutes.

Set the knob to the MINIMUM setting .

Remove the knob.

With a slotted screwdriver turn the choking screw (by-pass screw at the left side of the thermostat bar) and, while observing the flame at the same time through the bottom oven porthole, evaluate the consistency of the flame so it remains on when switching quickly from MINIMUM to MAXIMUM setting.



Broiler burner: the broiler burner always operates at maximum, therefore no minimum adjustment is required.

When gas conversion is complete, complete the enclosed conversion label and place it **next** to the rating label.

INSTALLATION CHECKLIST

A qualified installer should carry out the following checks:

- Range mounted on its legs
- Island trim or Backguard attached according to instruction
- Anti-tip device properly installed
- Clearance to cabinet surfaces as manufacturer's guideline
- Proper ground connection
- Gas service line connected following manufacturer's guideline
- Valves, stoppers and gasket installed between the range and the service line
- Gas connection tested and free of gas leaks
- Range settled for the type of gas available in the household
- Each burner lights satisfactorily, both individually and with other burners operating
- Flame appear sharp blue, with no yellow tipping, shooting or flame lifting
- Minimum settled for all burners
- Oven and broiler lights satisfactorily and works properly
- Oven light works properly

FINAL PREPARATION

- Before using the oven, remove any protective wrap from the stainless steel.
- All stainless steel body parts should be wiped with hot, soapy water and with a liquid stainless steel cleanser.
- If buildup occurs, do not use steel wool, abrasive cloths, cleaners, or powders!
- If it is necessary to scrape stainless steel to remove encrusted materials, soak with hot, wet cloths to loosen the material, then use a wood or nylon scraper.
- Do not use a metal knife, spatula, or any other metal tool to scrape stainless steel! Scratches are almost impossible to remove.
- Before using the oven for food preparation, wash the cavity thoroughly with a warm soap and water solution to remove film residues and any dust or debris from installation, then rinse and wiped dry.

Attention!

When using the oven for the first time it should be operated for 15-30 minutes at a temperature of about 500°F/260°C (main oven) or 440°F/227°C(auxiliary oven) without cooking anything inside in order to eliminate any moisture and odours from the internal insulation.

BERTAZZONI SERVICE

Bertazzoni is committed to providing the best customer and product service. We have a dedicated team of trained professionals to answer your needs.

If you own a Bertazzoni appliance and need service in the US or Canada please use the following contact information:

e-mail: aftersaleservice@bertazzoni.com

Telephone - Monday through Friday,
7.30am to 7.30pm EST (except US public holidays).

US	866-905-0010
WESTERN CANADA	866-905-0010 (BC,AB,SK,MB)
EASTERN CANADA	800-561-7265 (ON,QC,NL,NB,NS,PE)

ASSISTANCE BERTAZZONI

Bertazzoni s'engage à fournir le meilleur service clients et la meilleure assistance produits possibles. Notre équipe de professionnels dévoués et formés répondra à vos besoins.

Si vous disposez d'un appareil Bertazzoni et souhaitez bénéficier d'une assistance aux États-Unis ou au Canada, utilisez les coordonnées

suivantes :
e-mail : after-saleservice@bertazzoni.com

Tél. - Lundi au vendredi,

7h30 à 19h30 EST (sauf jours fériés aux États-Unis).

États-Unis

866-905-0010

OUEST DU CANADA 866-905-0010 (BC, AB, SK, MB)

EST DU CANADA 800-561-7265 (ON, QC, NL, NB, NS, PE)

LISTE DE CONTRÔLE POUR L'INSTALLATION

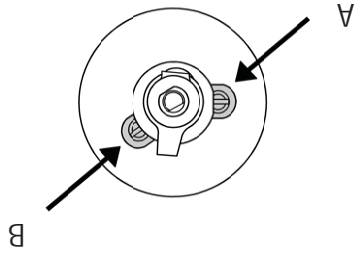
- Un installateur qualifié devra réaliser les contrôles suivants :
- La cuisinière est-elle installée sur ses pieds ?
 - La garniture ou la protection arrière est-elle fixée conformément aux instructions fournies ?
 - Les dispositifs anti-basculement sont-ils correctement installés ?
 - Le dégagement par rapport aux surfaces des meubles est-il conforme aux consignes du fabricant ?
 - Le raccordement à la terre a-t-il été correctement réalisé ?
 - La conduite d'alimentation en gaz est-elle conforme aux consignes du fabricant ?
 - Les vannes, les soupapes d'arrêt et le joint ont-ils été installés entre la cuisinière et la conduite d'alimentation ?
 - Le branchement de gaz a-t-il été testé et est-il exempt de fuites ?
 - La cuisinière est-elle adaptée au type de gaz disponible dans l'habitation ?
 - Chaque brûleur fonctionne-t-il de manière satisfaisante, à la fois séparément et en même temps que les autres brûleurs ?
 - La flamme est-elle bleue, sans pointes jaunes, crépitements ou remontées de flamme ?
 - Le minimum a-t-il été réglé pour tous les brûleurs ?
 - Le four et le grill s'allument-ils de manière satisfaisante et fonctionnent-ils correctement ?
 - La lumière du four fonctionne-t-elle correctement ?

- Avant d'utiliser le four, retirer tout film protecteur éventuellement présent sur les surfaces en acier inoxydable.
- Toutes les parties du corps en acier inoxydable doivent être nettoyées avec de l'eau chaude savonneuse et un détergent liquide adapté à l'acier inoxydable.
- En présence de dépôts, ne pas utiliser de laine d'acier, de linges abrasifs, de produits ou de poudres nettoyants.
- Si l'acier inoxydable doit être gratté pour en retirer les incrustations, mouiller avec un chiffon humide et chaud pour ramollir le dépôt, puis utiliser une raclette en bois ou en nylon.
- Ne pas utiliser de couteau, de spatule ou tout autre ustensile en métal pour gratter l'acier inoxydable ! Les rayures sont très difficiles à enlever.
- Avant d'utiliser le four pour la préparation de nourriture, nettoyer minutieusement la cavité avec une solution d'eau chaude et de savon afin d'éliminer les résidus de matériaux d'emballage et tout débris ou poussière résultant de l'installation, puis rincer et sécher.

Attention !
Lors de la première utilisation du four, celui-ci doit être mis en marche pendant 15-30 minutes à une température d'environ 500°F/260 °C (four principal) ou 440°F/227 °C (four auxiliaire) sans rien cuire à l'intérieur, afin d'éliminer les éventuelles moisissures et odeurs d'isolation interne.

PRÉPARATION FINALE

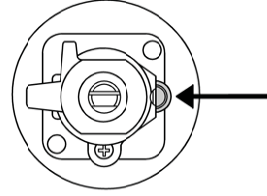
Pour la vanne de gaz du double brûleur, la soupape d'étranglement est située sur le corps de la vanne (fig. 20) ; la vis A permet de régler l'anneau extérieur et la vis B l'anneau intérieur.



BRÛLEUR DU FOUR
Remettre la porte du four en place.
Positionner le bouton de réglage de la température du four sur la position MAXIMUM.
Fermer la porte du four et mettre le four en marche pendant au moins 10 minutes.

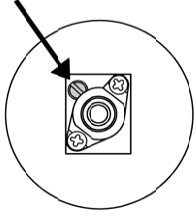
Positionner le bouton sur la position MINIMUM.
Retirer le bouton.

Au moyen d'un tournevis plat, faire tourner la vis d'étranglement (vis de by-pass sur le côté gauche de la barre du thermostat) et, tout en observant la flamme à travers le hublot situé sur le bas du four, évaluer le comportement de la flamme de sorte qu'elle reste allumée en passant rapidement du MINIMUM au MAXIMUM.



Brûleur du grill : **Le brûleur du grill fonctionne toujours au maximum. Aucun réglage minimum n'est nécessaire.**

Une fois la procédure de conversion à un autre type de gaz achevée, compléter l'étiquette de conversion fournie et la positionner à proximité de l'étiquette signalétique.

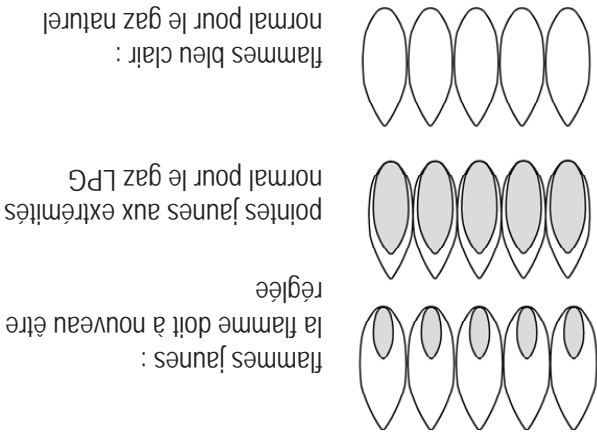


BRÛLEURS DE LA SURFACE DE CUISSON
Allumer un brûleur à la fois et positionner le bouton sur la position MINIMUM (petite flamme). Retirer le bouton. La cuisinière est équipée d'une soupape de sécurité. Au moyen d'un tournevis plat de petites dimensions, repérer la soupape d'étranglement sur le corps de la soupape et tourner la vis d'étranglement vers la droite ou la gauche jusqu'à ce que la flamme du brûleur atteigne le minimum souhaité. S'assurer que la flamme ne s'éteint pas lors du passage rapide de la position MAXIMUM à la position MINIMUM.

AVERTISSEMENT !
Ces réglages doivent uniquement être réalisés en vue d'une utilisation de la cuisinière avec du gaz naturel. En cas d'utilisation avec du gaz propane liquide, la vis d'étranglement doit être complètement tournée dans le sens horaire.

Étape 6 : réglage du minimum

Une fois tous les contrôles visuels effectués, réinstaller le panneau arrière du compartiment du four et procéder au réglage du minimum de chaque brûleur.

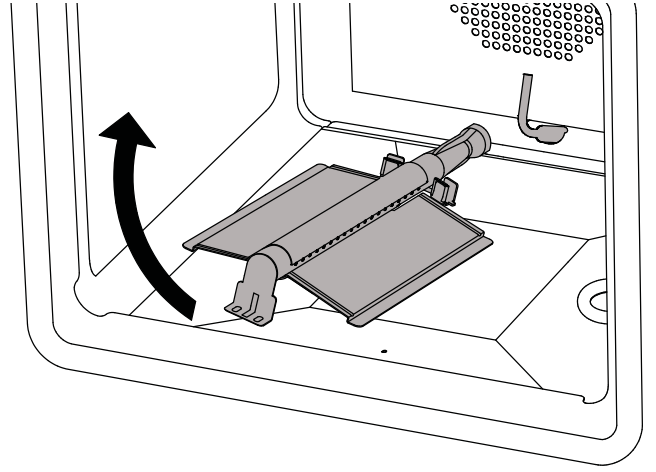


normal de voir de petites pointes jaunes sur les premières flammes. La combustion de la flamme doit être complète autour du chapeau du brûleur. Dans le cas contraire, vérifier que le chapeau est correctement positionné sur son support et que les orifices ne sont pas obstrués. La flamme doit être stable, sans bruit ni oscillation excessive.

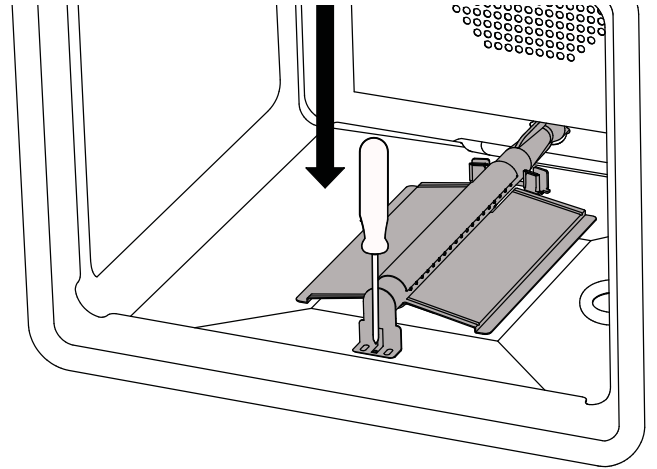
Brûleurs de la surface de cuisson
La flamme du brûleur doit être bleue, sans coloration jaune aux extrémités. Il n'est pas rare de voir de l'orange sur la flamme. Cela indique la combustion d'impuretés en suspension dans le gaz et disparaîtra pendant l'utilisation. Avec du gaz propane (LPG), il est

normal, tel qu'indiqué ci-dessous. Vérifier que la flamme du brûleur du four/grill est complètement bleue et présente un aspect normal, tel qu'indiqué ci-dessous. Avant de réinstaller le panneau postérieur, le contrôle visuel suivant doit être réalisé afin de s'assurer que la conversion a été correctement effectuée, sans endommager les autres composants de la cuisinière.

Four Étape 5 : contrôles visuels

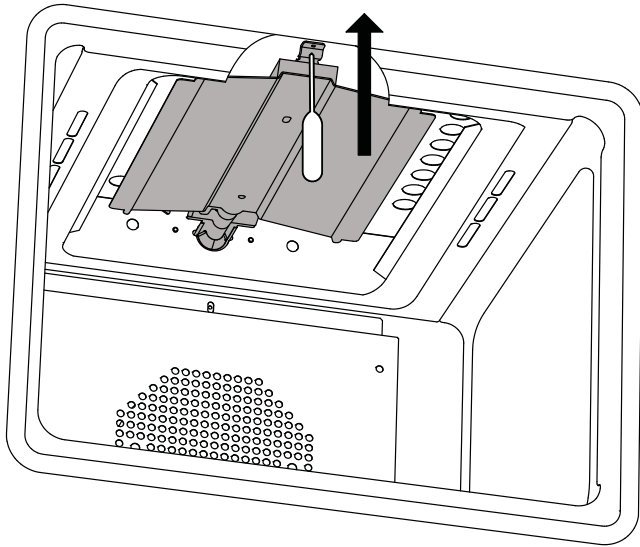


Dévisser l'injecteur situé sur le support au moyen d'une clé de 7 mm (à douille). Remplacer l'injecteur en se référant au tableau n° 1.

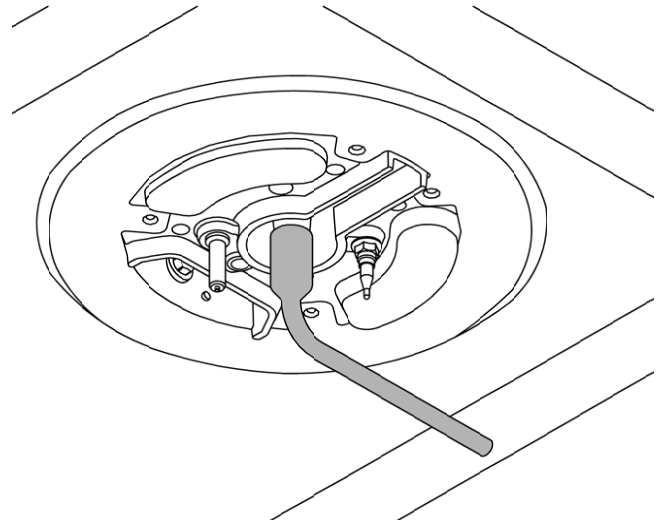
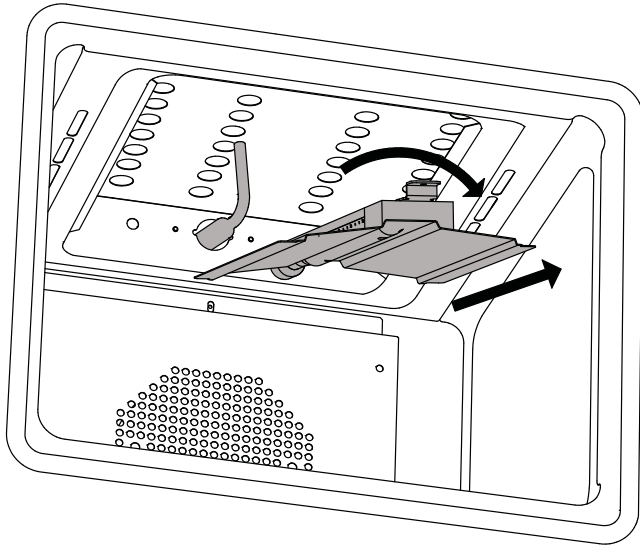


Étape 4 : brûleur du grill
Retirer la vis et extraire le brûleur de son support. ATTENTION : procéder avec la plus grande vigilance pour éviter d'endommager l'allumeur et le thermocouple.

Retirer la vis située sur le côté droit du brûleur et extraire le brûleur de son support. **ATTENTION** : procéder avec la plus grande vigilance pour éviter d'endommager l'allumeur et le thermocouple.

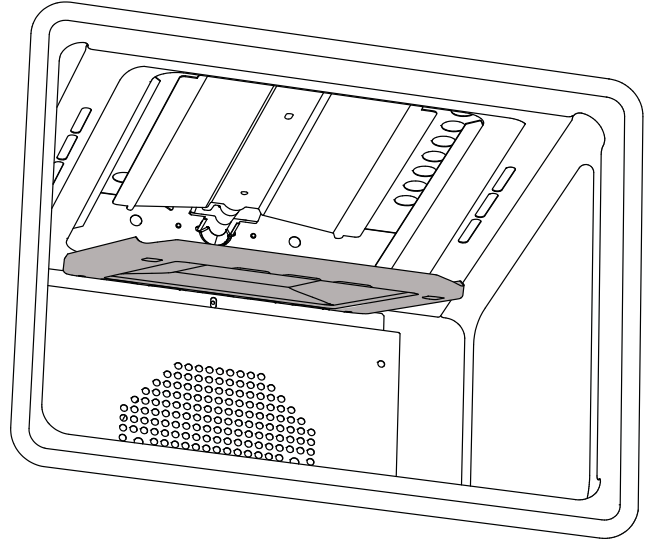


Dévisser l'injecteur situé sur le support au moyen d'une clé de 7 mm (à douille).
Remplacer l'injecteur en se référant au tableau n° 1.



Étape 3 : brûleur du four (principal ou auxiliaire)

Pour remplacer les injecteurs du brûleur du four principal, retirer tout d'abord la porte et le panneau postérieur du four.



CONVERSION À UN AUTRE TYPE DE GAZ

Avertissement !
 Avant de réaliser cette opération, débrancher l'appareil de l'alimentation en gaz et en électricité. La conversion doit être effectuée par un professionnel formé à cet effet par le fabricant. Appeler le service clients pour trouver le professionnel formé par le fabricant le plus proche.

Pour cette cuisine, la procédure de conversion à un autre type de gaz comprend 6 étapes :

- Régulateur de pression
- Brûleurs de la surface de cuisson
- Brûleur du four
- Brûleur du grill
- Contrôles visuels avant la fermeture du panneau arrière du four
- Réglage du minimum

La conversion n'est pas terminée tant que ces 6 étapes n'ont pas été correctement réalisées.

Avant de réaliser la conversion à un autre type de gaz, trouver le sachet contenant l'injecteur de remplacement fourni avec la cuisine.

IMPORTANT : Sur chaque injecteur se trouve un numéro correspondant à son débit. Consulter le tableau n° 1 pour connaître la correspondance entre les injecteurs et les brûleurs.

Conservé les injecteurs retirés de la cuisine pour toute utilisation future.

Étape 1 : régulateur de pression

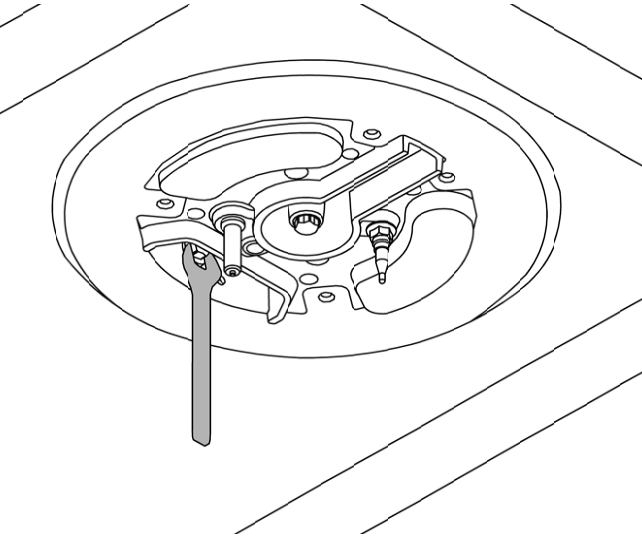
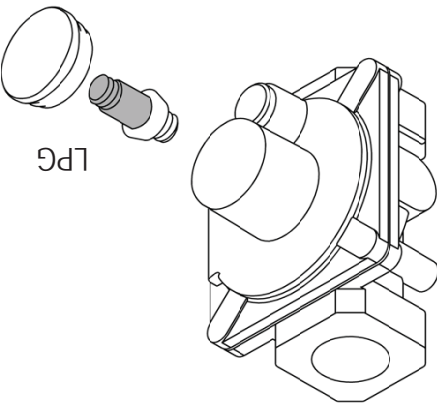
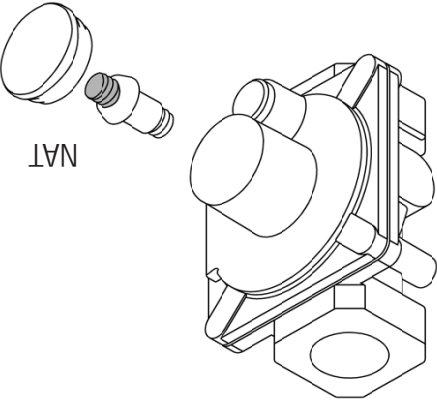
Le régulateur de pression fourni avec la cuisine est de type convertible, adapté à une utilisation avec du gaz naturel à une pression nominale de 4" inH₂O ou avec du gaz LPG à une pression nominale de 10" inH₂O. Il a été réglé en usine pour fonctionner avec l'un de ces gaz ou pressions, comme indiqué sur les étiquettes apposées sur la cuisine, l'emballage et dans le livret d'instructions.

Convertir le régulateur pour l'utiliser avec un autre gaz :

dévisser à la main le couvercle supérieur du régulateur, retirer l'attache en plastique blanc du couvercle, inverser son sens et le revisser fermement contre le couvercle. L'attache en plastique blanc comporte des flèches indiquant la position du gaz naturel (NAT) et du gaz LPG (PL). Visser à la main le couvercle métallique dans sa position d'origine sur le régulateur.

Étape 2 : brûleurs de la surface de cuisson

Pour remplacer les injecteurs des brûleurs de la surface de cuisson, soulever les brûleurs et dévisser les injecteurs fournis avec la cuisine au moyen d'une clé de 7 mm (à douille). Remplacer les injecteurs en utilisant le kit de conversion fourni avec la cuisine ou par un magasin de pièces détachées Bertazzoni agréé. Sur chaque injecteur se trouve un numéro correspondant à son débit. Consulter le tableau n° 1 pour connaître la correspondance entre les injecteurs et les brûleurs.

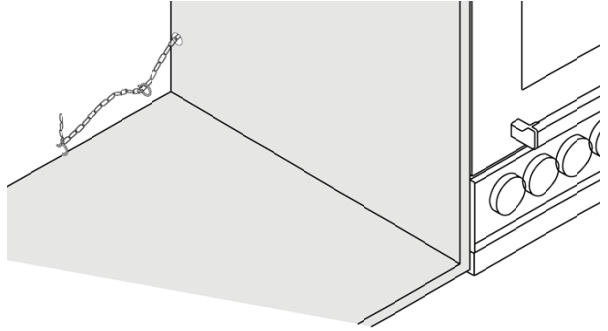
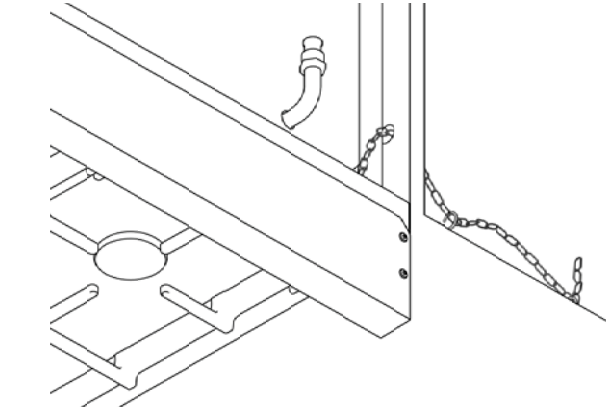


INSTALLATION DES DISPOSITIFS ANTI-BASCULEMENT

CHAÎNE ANTI-BASCULEMENT

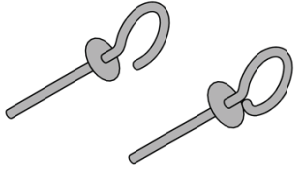
La chaîne anti-basculement doit être fixée au côté gauche ou droit, selon les instructions ci-après. Tirer la chaîne manuellement à travers l'anneau et l'insérer dans le crochet.

Attention : Une fois les opérations d'entretien terminées, les dispositifs anti-basculement (supports et chaîne) doivent être remis en place conformément aux instructions ci-dessus.



CROCHET

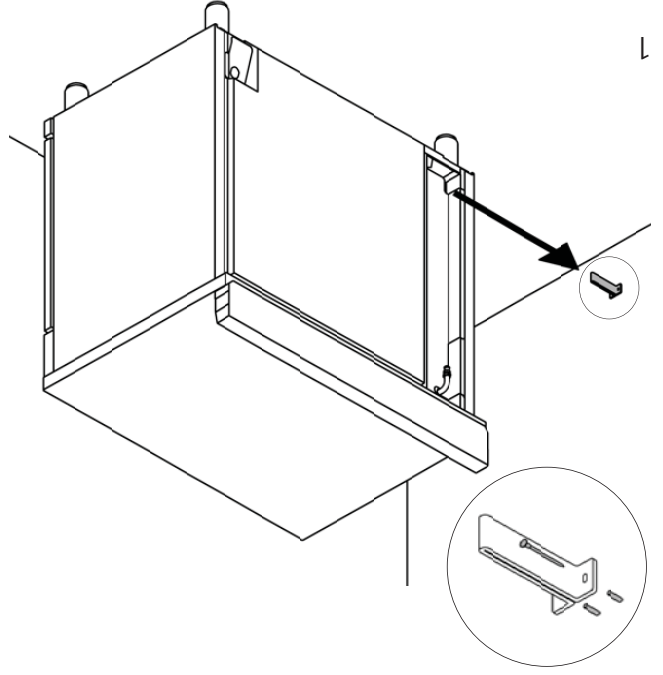
ANNEAU



SUPPORTS ANTI-BASCULEMENT

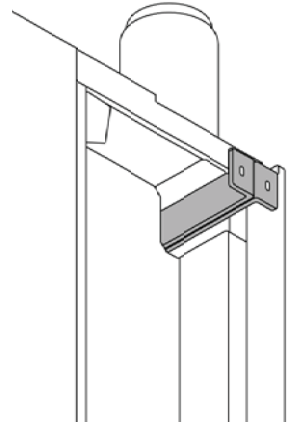
Les supports anti-basculement fournis avec la cuisine doivent être correctement fixés au mur postérieur, comme indiqué sur la figure ci-dessous.

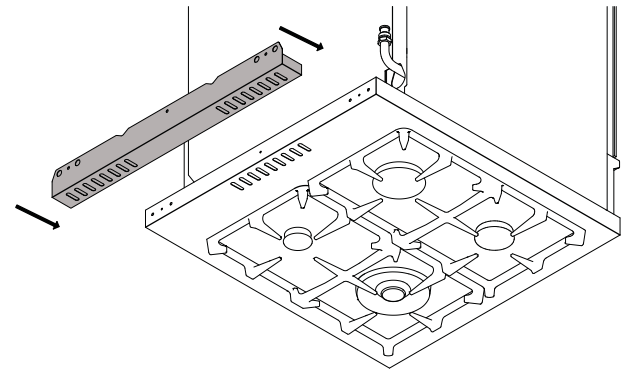
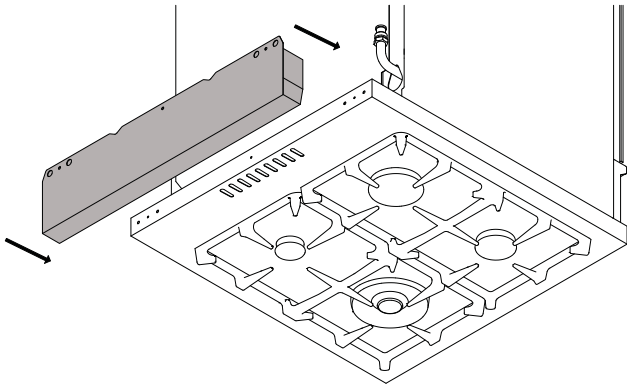
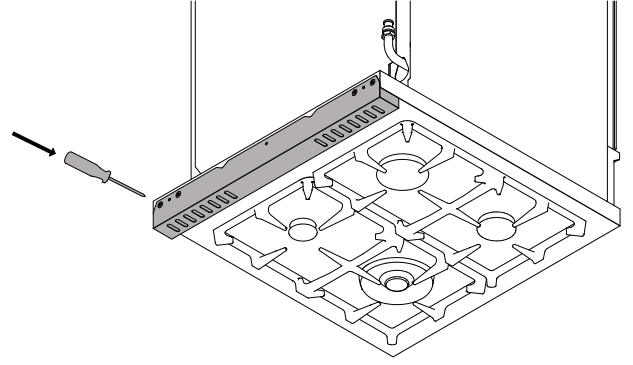
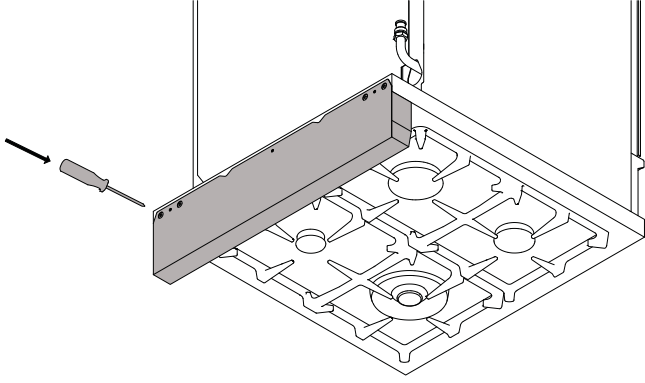
- La hauteur correcte des supports est déterminée après avoir réglé les pieds de la cuisine et une fois celle-ci nivelée.
- Mesurer la distance entre le sol et le bas du logement du support anti-basculement à l'arrière de la cuisine.
- Positionner les supports anti-basculement sur le mur à la hauteur souhaitée plus 1/8" (0,32 cm). Les supports doivent être positionnés à 2"5/16 (6,0 cm) par rapport au côté de la cuisine.
- Fixer les supports au mur à l'aide d'outils adaptés.
- Faire glisser la cuisine contre le mur jusqu'à ce que les supports soient complètement insérés dans leurs logements à l'arrière de la cuisine.



1

2

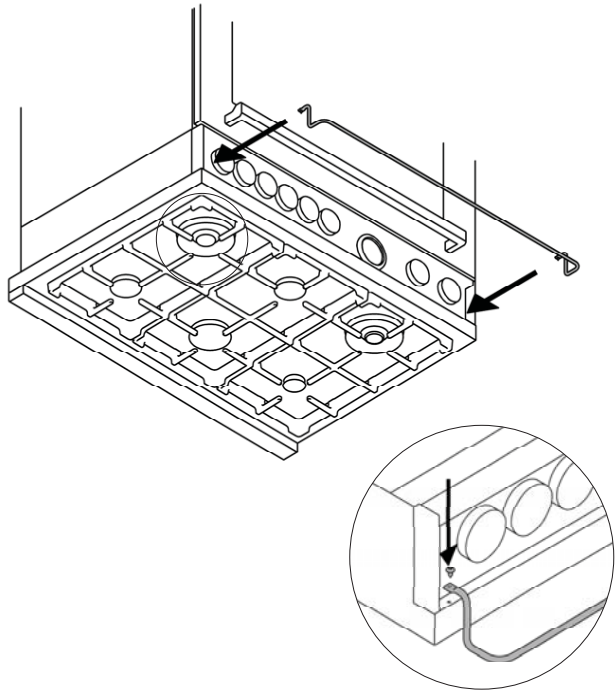




INSTALLATION DE LA PROTECTION ARRIÈRE (EN OPTION)
 La protection arrière doit être installée avant toute utilisation de la cuisinière afin de garantir la ventilation appropriée du compartiment du four. La protection arrière est un équipement en option. Contactez votre revendeur pour vous la procurer. Avant l'installation, portez des gants de sécurité.

INSTALLATION DE LA GARNITURE
 La garniture doit être installée avant toute utilisation de la cuisinière afin de garantir la ventilation appropriée du compartiment du four. La garniture est uniquement positionnée sur la surface de cuisson. Retirer tous les rubans et matériaux d'emballage avant son installation. Avant l'installation, portez des gants de sécurité.

- INSTALLATION DE LA PROTECTION FRONTALE DE LA SURFACE DE CUISSON**
- Afin d'augmenter l'espace entre le bord frontal de la surface de cuisson et les brûleurs, il est possible d'installer une protection frontale pour la surface de cuisson.
- Pour installer la protection frontale :
- Repérer les deux trous de fixation aux extrémités de la protection frontale.
 - Repérer les deux trous de fixation sur la face inférieure de la surface de cuisson.
 - Fixer la protection frontale à l'aide de ses deux vis.



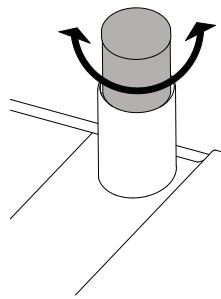
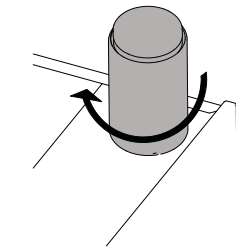
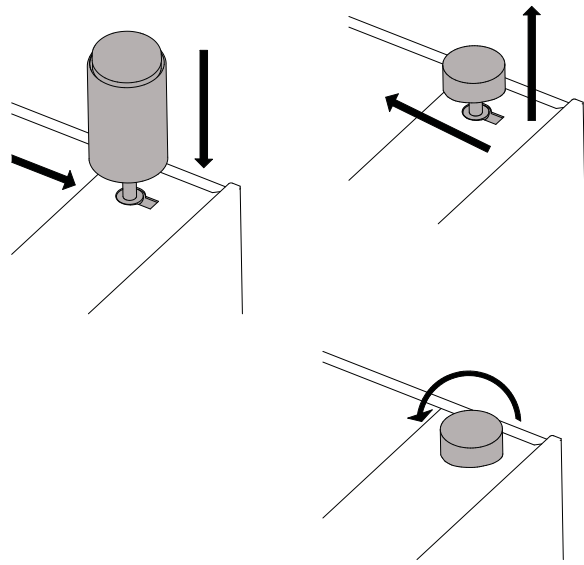
INSTALLATION DES PIEDS

Les cuisinières Bertazzoni ne doivent être utilisées qu'une fois leurs pieds correctement installés. Quatre pieds réglables en hauteur sont fournis avec la cuisinière dans le conteneur en polystyrène placé sur le dessus de l'appareil.

Avant d'installer les pieds, positionner la cuisinière à proximité de son emplacement final ; les pieds ne doivent pas être utilisés pour la déplacer sur de longues distances.

Après avoir déballé la cuisinière, la soulever suffisamment afin de pouvoir insérer les pieds dans les logements correspondants situés sous l'appareil. Abaisser lentement la cuisinière pour éviter toute sollicitation excessive sur les pieds et le matériel de montage. Si possible, utiliser une palette ou un cric plutôt que de faire basculer la cuisinière.

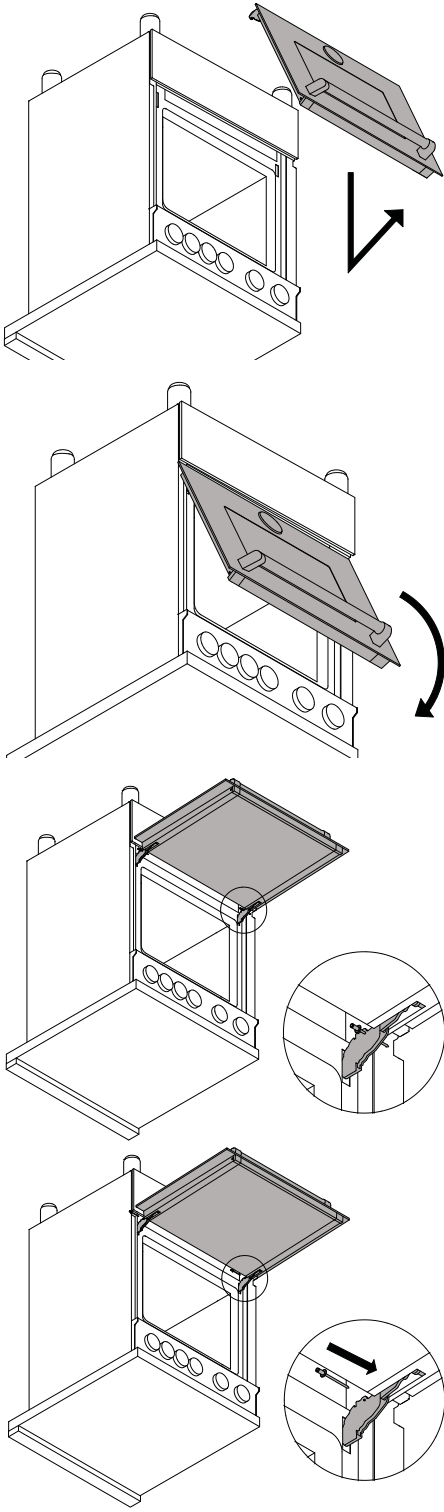
Régler la hauteur des pieds au niveau souhaité en tournant la partie interne du pied. À l'aide d'un niveau, vérifier que la surface de cuisson est parfaitement plane.



INSTALLATION DE L'APPAREIL

Déballage de la cuisinière

- Retirer tous les matériaux d'emballage de la palette d'expédition sans toucher à la mousse postérieure adhésive sur les surfaces en métal brossé, afin de protéger la cuisinière des rayures jusqu'à son installation à son emplacement final. Ne retirer que le film protégeant les panneaux latéraux avant de positionner la cuisinière entre les meubles de cuisine.
- Examiner la cuisinière après l'avoir déballée. En cas de dommage résultant du transport, ne pas la brancher. Prendre des photos du dommage et en informer immédiatement le transporteur.
- Retirer la ou les portes du four. Cela réduira le poids de la cuisinière.
- Retirer les grilles, plaques et chapeaux des brûleurs pour faciliter le déplacement de la cuisinière.
- Avant de la déplacer, protéger le sol pour éviter tout dommage.



RETRAIT DE LA PORTE DU FOUR

Préparer la porte en vue de son retrait. Insérer la goupille dans chaque charnière de porte. Fermer la porte lentement la porte jusqu'à ce que la fixation saillante ne bloque le mouvement.

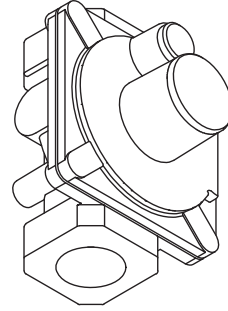
Tirer la porte vers le haut et la retirer.

Ne pas soulever ou tirer la porte par sa poignée !
Cela pourrait endommager les charnières.

RÉGULATEUR DE PRESSION

Dans la mesure où la pression de service peut fluctuer en fonction de la demande locale, chaque appareil de cuisson au gaz doit être équipé d'un régulateur de pression sur la conduite d'alimentation, pour garantir un fonctionnement sûr et efficace.

Le régulateur de pression fourni avec l'appareil dispose de deux filetages femelles 1/2" NPT. Le régulateur doit être correctement installé afin d'être accessible une fois l'appareil installé dans son emplacement final.



La pression dans le collecteur doit être contrôlée au moyen d'un manomètre et être conforme aux valeurs indiquées ci-après :

Gaz naturel 4,0" inH2O
LPG/Propane 10,0" inH2O

La pression de la conduite d'alimentation en amont du régulateur doit être supérieure de 1" inH2O à celle dans le collecteur afin de pouvoir contrôler le régulateur.

Le régulateur utilisé avec la cuisinière est adapté à une pression d'alimentation maximale de 1/2 psi (13,8" inH2O ou 3,5 kPa). Si la pression d'alimentation dépasse cette valeur, un hacheur série est nécessaire.

L'appareil, sa vanne de fermeture individuelle et le régulateur de pression doivent être débranchés de la conduite de gaz en cas de contrôle de pression du circuit à des pressions supérieures à 1/2 psi (13,8" inH2O ou 3,5 kPa).

La vanne manuelle de fermeture doit être FERMÉE lors de chaque test de pression du circuit d'alimentation en gaz à des pressions de test inférieures ou égales à 1/2 psi (13,8" inH2O ou 3,5 kPa).

Avertissement

Avant toute opération d'entretien, débrancher la cuisinière des sources d'alimentation en gaz et en électricité, et débrancher tout autre appareil de la zone d'installation finale afin d'avoir accès à la cuisinière et de pouvoir réaliser correctement l'opération d'entretien.

RACCORDEMENT AU GAZ

/ Raccordement au gaz

Avvertissement !
NE PAS UTILISER DE FLAMME LIBRE POUR RECHERCHER LES FUITES DE GAZ !

La recherche de fuites sur la cuisinière doit être réalisée conformément aux instructions du fabricant. Avant d'utiliser le four, toujours réaliser une recherche de fuites avec une solution d'eau savonneuse ou toute autre méthode valide. Vérifier l'absence de fuites de gaz en utilisant de l'eau savonneuse ou en ayant recours à d'autres méthodes valides pour tous les raccords de gaz installés entre la conduite d'alimentation en gaz de l'appareil, le régulateur de gaz et la vanne de fermeture manuelle.

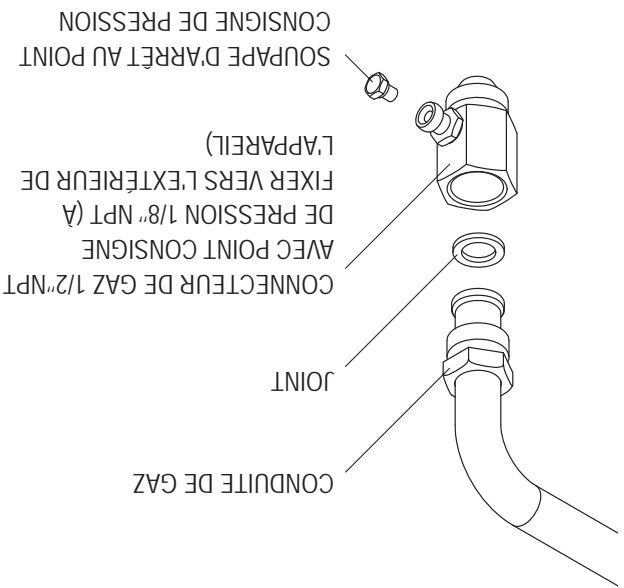
Tous les raccords au gaz doivent être conformes aux réglementations locales et nationales. La conduite d'alimentation en gaz doit être de dimensions au moins égales à celles du tuyau d'entrée de l'appareil. Cette cuisinière utilise un adaptateur NPT 1/2" (voir le dessin ci-après pour des informations sur le raccordement au gaz). Pour toutes les jonctions de tuyaux, utiliser un joint adapté résistant au gaz ; pour joindre l'adaptateur et le collecteur de la cuisinière, utiliser uniquement le joint bien fourni.

Le cas échéant, la conversion de l'appareil doit être réalisée par le revendeur, un professionnel formé par le fabricant, un plombier ou une entreprise spécialisée, qualifiée et agréée.

La conversion est importante pour une utilisation efficace et sûre de l'appareil. Il incombe au revendeur et au propriétaire de la cuisinière de réaliser une conversion au gaz adaptée et conforme aux instructions du fabricant. LA PROCÉDURE DE CONVERSION EST DÉCRITE DANS CE MANUEL ET DANS LE SACHET CONTENANT LES DIFFÉRENTS INJECTEURS FOURNIS AVEC LA CUISINIÈRE. Ce manuel doit être fourni à la personne en charge de l'entretien avant toute intervention sur la cuisinière.

VANNE DE FERMETURE MANUELLE
CETTE VANNE N'EST PAS EXPÉDIÉE AVEC LA CUISINIÈRE ET DOIT ÊTRE FOURNIE PAR L'INSTALLATEUR.

La vanne de fermeture manuelle doit être installée sur la conduite d'alimentation en gaz, entre le branchement mural et l'entrée de l'appareil, dans une position rapidement accessible en cas d'urgence.



Pour éviter les fuites de gaz, la soupape d'arrêt au point consigne de pression et le joint fourni avec la cuisinière doivent être installés sur le raccord de gaz à l'arrière de la cuisinière, conformément au schéma ci-après.

SOUAPE D'ARRÊT AU POINT CONSIGNE DE PRESSION

Canada : Utiliser des connecteurs métalliques CAN 1-6.10-88 pour cuisinière à gaz et un dispositif à déconnexion rapide CAN 1-6.9 M79 en cas d'utilisation avec du gaz.

Massachusetts : Installer la cuisinière avec un raccord de gaz flexible d'une longueur de 36" (3 pieds).

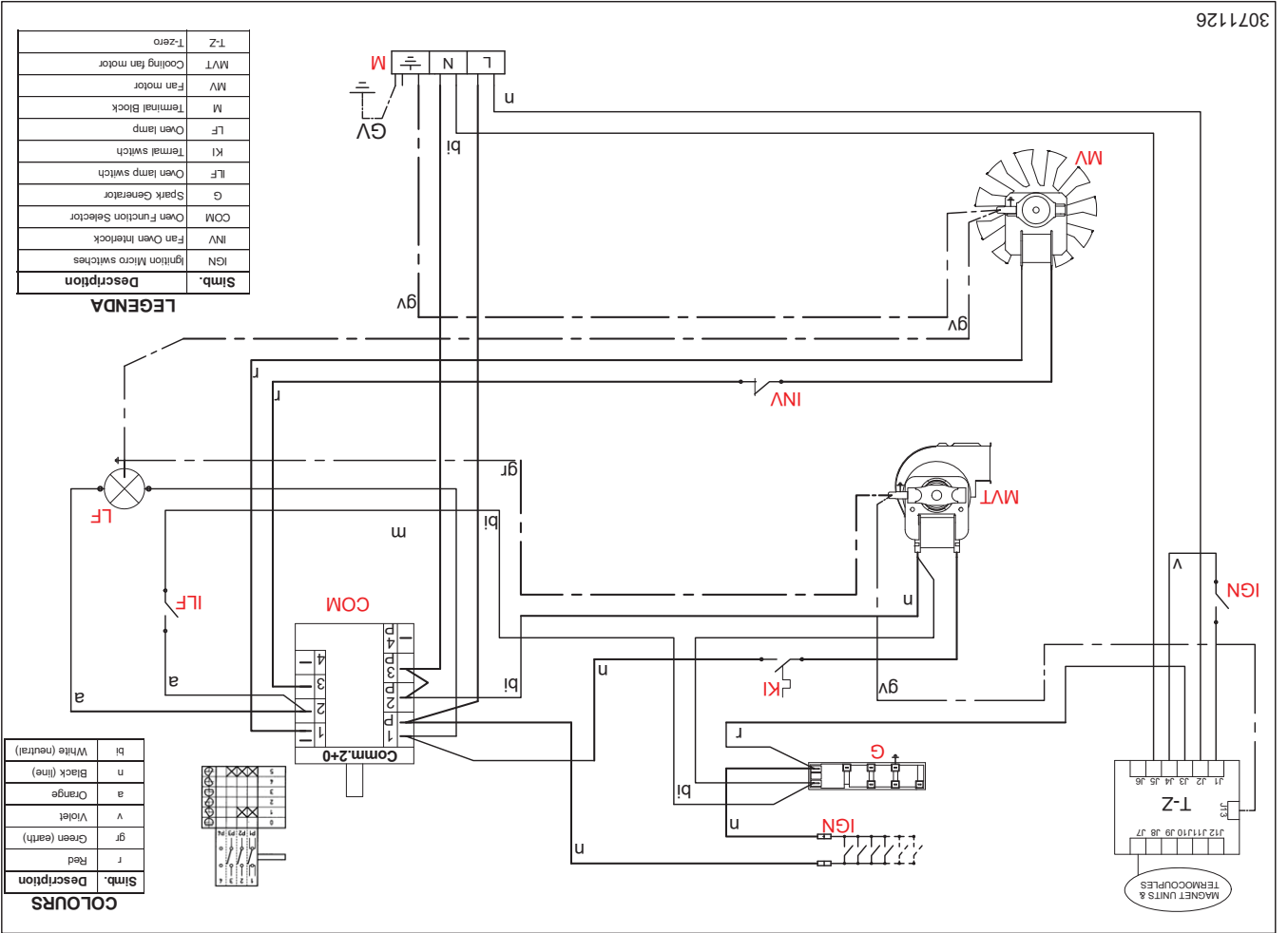
En cas d'installation avec des tuyaux flexibles AGA pour une utilisation commerciale, d'au moins 1/2" (1,3 cm) de diamètre interne (I.D.) NPT (enfichables) conforme aux normes ANSI Z21.41 et Z21.69.

TUYAUX FLEXIBLES

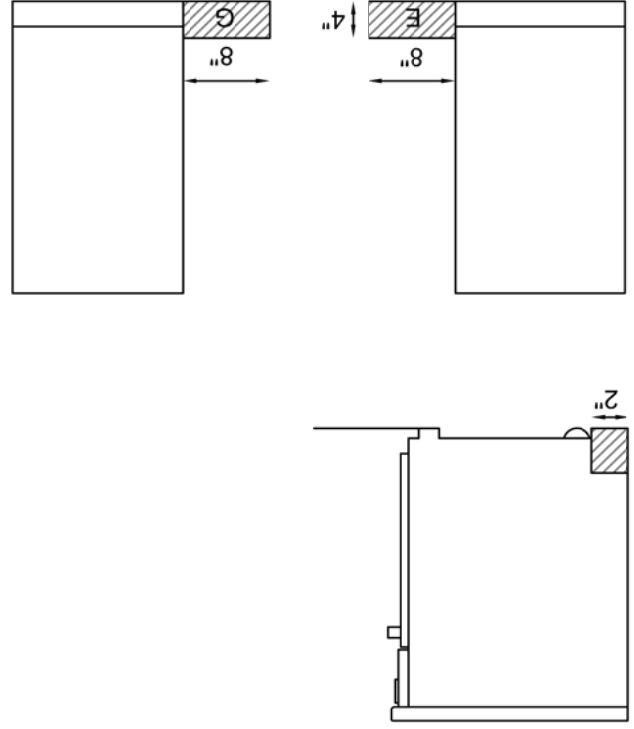
Massachusetts : Une vanne manuelle de gaz à poignée de type « T » doit être installée sur la conduite d'alimentation en gaz de l'appareil.

SCHEMA DE CÂBLAGE

Les schémas de câblage électrique figurent à l'arrière de la cuisinière et ne peuvent être retirés que par un technicien de maintenance, qui doit les remettre en place une fois l'entretien réalisé.



zone réservée au branchement



Une vanne de fermeture manuelle correctement dimensionnée et approuvée par un organisme agréé doit être installée à une hauteur maximale de 2" (5 cm) par rapport au sol, et à une distance maximale de 8" (20,3 cm) par rapport au côté droit du produit (en lui faisant face). Pour réaliser le raccordement en gaz entre la vanne de fermeture et le régulateur, utiliser un flexible de dimensions adaptées ou un tuyau rigide approuvé par un organisme agréé. Vérifier les dispositions des réglementations locales.

GAZ

Une prise électrique montée horizontalement et correctement mise à la terre doit être installée à une hauteur maximale de 3" (7,6 cm) et minimale de 2" (5 cm) par rapport au sol, et à une distance maximale de 8" (20,3 cm) par rapport au côté gauche du produit (en lui faisant face). Vérifier les dispositions des réglementations locales.

ÉLECTRICITÉ

CONDITIONS D'INSTALLATION

/ Conditions d'installation / Raccordement électrique

Attention
Étiqueter chaque câble avant de les débrancher pour effectuer des contrôles d'entretien. Des erreurs de câblage peuvent entraîner un fonctionnement incorrect et dangereux. Vérifier le bon fonctionnement de la cuisinière après l'entretien.

Attention
Mise à la terre
L'appareil est équipé d'une prise à trois broches électriques. Elle doit être branchée directement à une prise murale correctement mise à la terre. Ne pas couper ou retirer la broche de terre de cette prise.

Cette cuisinière a été fabriquée pour être branchée sur un système de 16 A, 120 V / 60 Hz, mis à la terre et polarisé. Sa consommation électrique est d'environ 2.5A. Un minimum de 102 Vca est nécessaire pour un fonctionnement correct des systèmes d'allumage du gaz. Le système doit être mis à la terre et correctement polarisé. La cuisinière est dotée d'un câble d'alimentation de type SJT et d'une prise NEMA 5-15P. Le cas échéant, le câble d'alimentation doit être remplacé par un câble de même type, grossueur et longueur.

DANGER !
RISQUE DE DÉCHARGE ÉLECTRIQUE !
Couper l'alimentation électrique au niveau du disjoncteur ou du tableau à fusibles avant d'installer l'appareil. L'appareil doit être correctement mis à la terre. Utiliser uniquement des conducteurs en cuivre. Le non-respect de ces instructions pourrait entraîner de graves blessures, voire la mort.

RACCORDEMENT ÉLECTRIQUE

ESPACE DE DÉGAGEMENT

Installation adjacente à des meubles de cuisine

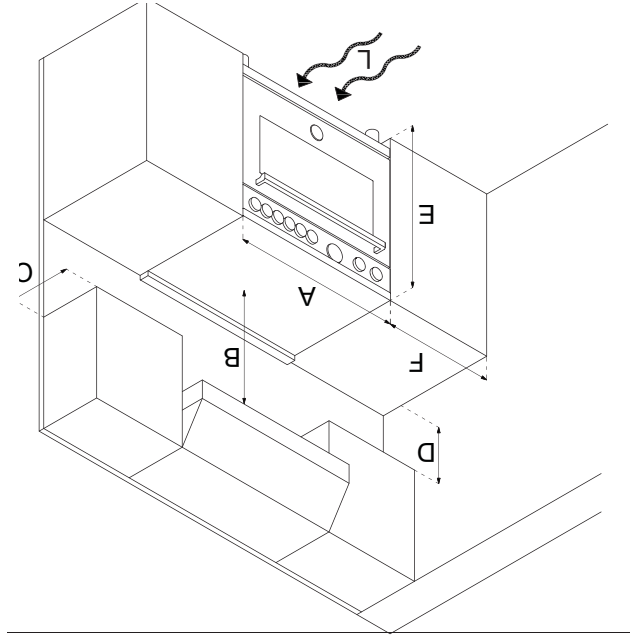
Cette cuisinière peut être installée à proximité directe de plans de travail avec meubles intégrés (36" ou 91,5 cm par rapport au sol). Pour un aspect optimal, la surface de la cuisinière doit être au même niveau que celle du plan de travail avec meuble intégré. Pour ce faire, régler la hauteur de l'appareil en agissant sur les dispositifs de réglage des pieds.

ATTENTION : la cuisinière NE DOIT PAS être installée à proximité directe des murs de la cuisine, de meubles ou d'appareils hauts, ou d'autres surfaces verticales de plus de 36" (91,4 cm) de hauteur. Dans ces cas, l'espace latéral doit être d'au moins 6" (15,2 cm).

Les meubles muraux présentant cet espace latéral minimum doivent être installés à 18" (45,7 cm) au-dessus du plan de travail, avec une hauteur de plan de travail comprise entre 35 1/2" (90,2 cm) et 37 1/4" (94,6 cm). La profondeur maximale des meubles muraux au-dessus de la cuisinière doit être de 13" (33 cm).

Meuble de cuisine

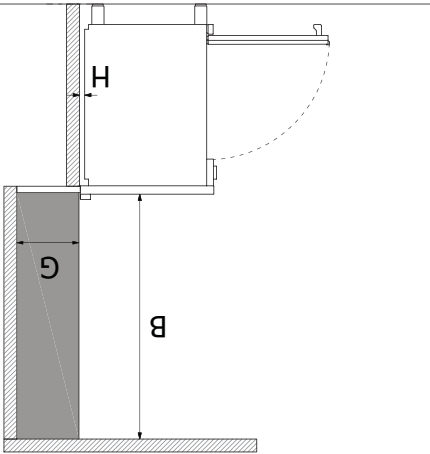
A	24" (60,4 cm)
B	36" (91,5 cm) hotte avec matériaux combustibles
C	13" (33,0 cm)
D	18" (45,7 cm)
E	35" 1/2 (90,2 cm) / 37" 1/4 (94,6 cm)
F	6" (15,2 cm)



En cas d'installation de toëkick, vérifiez que la somme des zones de découpe correspond à la ventilation recommandée (L) surface 29 sq. inches (18765 mm²)

Hotte métallique

A	24" (60,4 cm)
B	25 1/2" (65 cm) et 31 1/2" (80 cm)
C	13" (33,0 cm)
D	18" (45,7 cm)
E	35" 1/2 (90,2 cm) / 37" 1/4 (94,6 cm)
F	6" (15,2 cm)
G	12" (30,50 cm)
H	1" 9/16 (4 cm)



La zone grisée derrière la cuisinière indique l'espace minimum à respecter par rapport à la surface de cuisson. Aucun matériau combustible ne doit se trouver dans cette zone.

combustibles avec garniture affleurante. Pour des installations autonomes, la surface de travail doit être dotée d'un bord saillant faisant la jonction avec la partie arrière de la garniture.

Comme indiqué dans la réglementation américaine en matière de gaz ANSI Z223.1 (édition actuelle), Le dégagement par rapport aux matériaux non combustibles ne rentre pas dans le cadre de la norme ANSI Z21.1 et n'est pas certifié par l'Association canadienne de normalisation (CSA). Les dégagements de moins de 12" (305 mm) doivent être conformes aux réglementations locales et/ou être approuvés par l'autorité locale compétente.

Brûleur	Injecteur	Gaz	Pression [inH ₂ O]	Valeur maximale [W]	Valeur [Btu/hr]	diam. [mm]	Type	Dérivation	
								Valeur minimale [W]	diam. [mm]
Auxiliaire	0.90	Gaz naturel	4"	3,500	1,025	900	Réglé	264	0.29
	0.54	LPG (propane)	10"	3,300	967	900	Réglé	264	0.29
Semi-rapide	1.18	Gaz naturel	4"	5,900	1,729	1,500	Réglé	439	0.36
	0.70	LPG (propane)	10"	5,500	1,611	1,500	Réglé	439	0.36
Rapide	1.55	Gaz naturel	4"	10,400	3,047	2,500	Réglé	732	0.47
	0.92	LPG (propane)	10"	9,500	2,783	2,500	Réglé	732	0.47
brûleur couronne	1.80	Gaz naturel	4"	16,600	4,000	5,200	Réglé	1,520	0.65
	1.02	LPG (propane)	10"	13,600	4,000	5,200	Réglé	1,520	0.65
Double brûleur	0.80+2.10	Gaz naturel	4"	19,000	5,567	1,300	Réglé	381	0.34/0.65
	0.50+1.20	LPG (propane)	10"	19,000	5,567	1,300	Réglé	381	0.34/0.65
Four	1.70	Gaz naturel	4"	12,000	3,516	2,800	Réglé	820	048
	1.02	LPG (propane)	10"	12,000	3,516	2,800	Réglé	820	048
Grill	1.35	Gaz naturel	4"	8,500	2,491	Max. uniquement	Sans dérivation	Max. uniquement	Sans dérivation
	0.90	LPG (propane)	10"	8,500	2,491	Max. uniquement	Sans dérivation	Max. uniquement	Sans dérivation

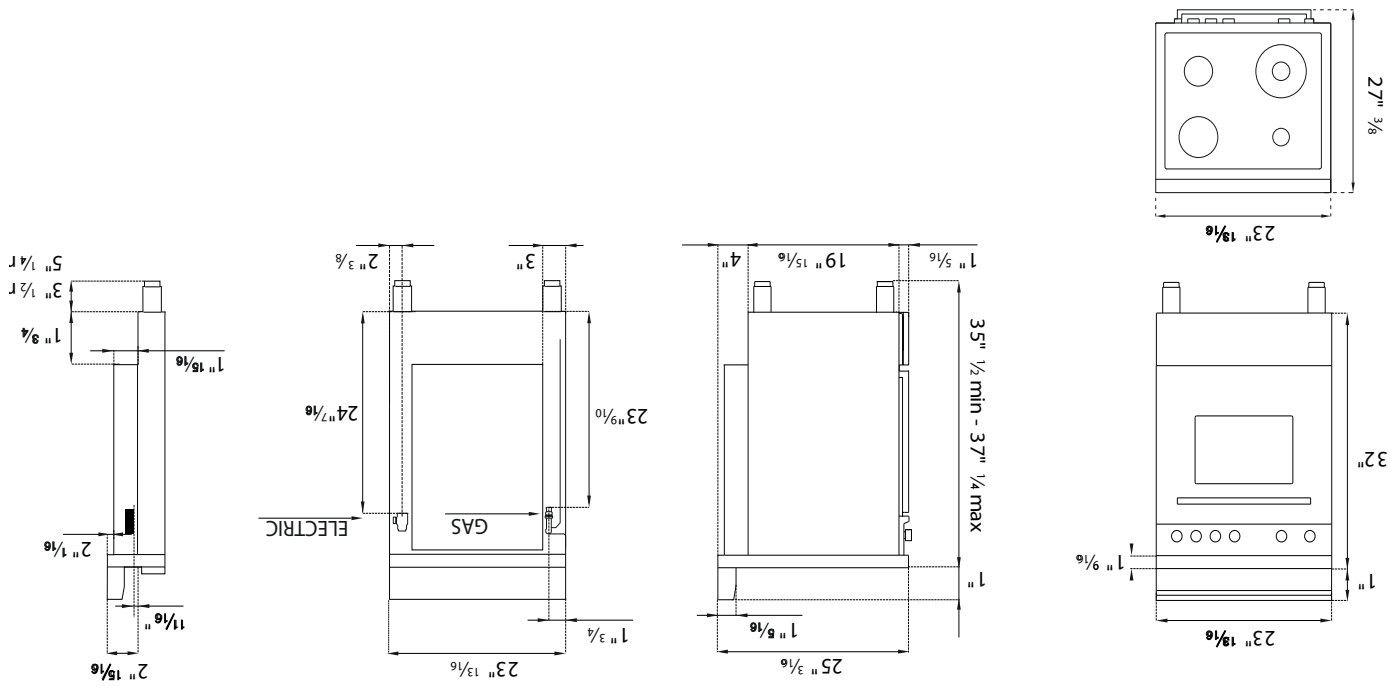
Consulter le manuel d'utilisation et d'entretien pour connaître la configuration des brûleurs de votre cuisinière.

PRÉPARATION DE LA VENTILATION

Cette cuisinière a un fonctionnement optimal en cas d'installation avec une hotte d'extraction Bertazzoni. Ces hottes, conçues pour être associées à la gamme Bertazzoni, offrent un aspect impeccable grâce à leur finition identique. Avant d'installer la hotte d'extraction, consulter les réglementations locales ou régionales en matière de construction et d'installation pour connaître les critères spécifiques aux espaces de dégagement. Pour plus d'informations, se reporter aux instructions d'installation de la hotte fournies par le fabricant.

- **Choisir les modèles de hotte et de ventilateur :** En cas d'installation murale, la hotte doit présenter une largeur au moins égale à celle de la cuisinière. Lorsque l'espace le permet, il peut être souhaitable d'installer une hotte plus large que la cuisinière, pour une meilleure ventilation.
- En cas d'installations autonomes, la largeur de la hotte doit dépasser celle de la cuisinière d'au moins 3" (76 mm) de chaque côté.

SPÉCIFICATIONS



Positionnement de la hotte :

- Pour une meilleure extraction des fumées et des odeurs, le bord inférieur de la hotte doit se trouver entre 25 1/2" (65 cm) et 31 1/2" (80 cm) au-dessus de la surface de cuisson de la cuisinière.
- Si la hotte contient des matériaux combustibles (par ex. parement en bois), elle doit être installée à au moins 36" (914 mm) au-dessus de la surface de cuisson.

Air d'appoint :

En présence d'un volume élevé d'air de ventilation, il est recommandé de disposer d'une source d'air de remplacement pour les habitations particulièrement important pour les habitations fermées hermétiquement et fortement isolées. Consulter une entreprise de chauffage et de ventilation qualifiée.

ÉTIQUETTE SIGNALÉTIQUE

L'étiquette signalétique indique le modèle et le numéro de série de la cuisinière. Elle se trouve sous le panneau de commande et à la dernière page de ce manuel.

AVANT L'INSTALLATION

- L'appareil doit être installé uniquement par un professionnel autorisé.
- Cet appareil doit être installé conformément aux instructions d'installation du fabricant.
- L'appareil doit être installé conformément aux normes et aux réglementations du pays d'installation.
- L'installation de cet appareil doit être conforme aux réglementations locales. En l'absence de réglementations locales, l'installation doit être conforme aux normes américaines du National Fuel Gas Code ANSI Z223.1 – dernière édition/NFPA 54 ou B149.1.
- Une fois installé, l'appareil doit être raccordé à la terre conformément aux réglementations locales ou, en leur absence, à la réglementation américaine en matière d'électricité (NEC), ANSI/NFPA 70.

Si les réglementations locales l'autorisent, un raccord métallique flexible de nouvelle conception homologué conformément aux normes AGA ou CGA, de 5 pieds (1,5 m) max. de longueur, 1/2" de diamètre interne (I.D.), est recommandé pour raccorder l'appareil à la conduite d'alimentation en gaz. Veiller à ne pas plier ou endommager le raccord flexible lors du déplacement de l'appareil.

L'appareil doit être utilisé avec le régulateur de pression fourni.

Le régulateur doit être correctement installé afin d'être accessible une fois l'appareil installé dans son emplacement final. Le régulateur de pression doit être réglé conformément au type de gaz utilisé. Le régulateur de pression dispose d'un filetage interne femelle 1/2". Une fixation adaptée doit être déterminée en fonction des dimensions de la conduite d'alimentation en gaz, du raccord métallique flexible et de la vanne de fermeture.

L'appareil doit être isolé du système d'alimentation en gaz en fermant la vanne manuelle individuelle lors de chaque test de pression du système d'alimentation en gaz à des pressions de test inférieures ou égales à 1/2 psi (13,8 inH₂O ou 3,5 kPa).

Toutes les ouvertures et les trous dans le mur et le plancher, derrière et sous l'appareil, doivent être scellés avant l'installation de celui-ci.

Une vanne manuelle doit être installée dans un emplacement accessible sur la conduite d'alimentation en gaz, indépendante de l'appareil, afin d'ouvrir ou de fermer l'alimentation en gaz.

Type de gaz

Cette cuisinière peut fonctionner avec du gaz naturel ou du gaz propane/LPG. Cette cuisinière est expédiée de l'usine pour être utilisée avec le gaz indiqué sur l'étiquette signalétique se trouvant sur la face inférieure du panneau de commande et à la dernière page de ce manuel. Une procédure de conversion pas à pas est également comprise dans ce manuel et dans tout kit de conversion.

Pression du gaz

La pression d'alimentation en gaz maximale pour le régulateur de pression de la cuisinière à gaz est de 1/2 psi (13,8 inH₂O ou 3,5 kPa). La pression d'alimentation en gaz minimale pour vérifier le réglage du régulateur doit être d'au moins 1 inH₂O (249 Pa) au-dessus de la pression d'alimentation spécifiée pour le collecteur. Cette pression de fonctionnement est de 4 inH₂O (1,00 kPa) pour le gaz naturel et de 10 inH₂O (2,50 kPa) pour le gaz LPG.

Ventilation de la pièce

Il convient d'associer un ventilateur extracteur à l'appareil. Celui-ci doit être installé conformément aux normes locales et nationales en vigueur. Le fonctionnement d'une hotte aspirante peut avoir une incidence sur d'autres appareils de ventilation. Elle doit être installée conformément aux normes locales et nationales en vigueur.

Avertissement


Cet appareil ne doit pas être installé avec un système de ventilation qui dirige l'air vers le bas, en direction de la cuisinière. Ce type de système de ventilation peut entraîner des incendies et des problèmes de combustion, avec pour conséquences des blessures, des dommages aux biens et un fonctionnement non maîtrisé. Il n'existe pas de restrictions concernant les systèmes de ventilation qui dirigent l'air vers le haut.

Ne pas utiliser de sprays aérosols à proximité de l'appareil en fonctionnement.

Remettre en place les dispositifs anti-basculement après tout déplacement de la cuisinière. Ne pas utiliser la cuisinière si les dispositifs anti-basculement ne sont pas en place et enclenchés. Ne pas utiliser la cuisinière si les dispositifs anti-basculement n'ont pas été correctement installés et enclenchés. Pour plus d'informations, consulter les instructions d'installation.

Le non-respect des instructions d'installation peut occasionner des blessures graves, voire mortelles, aux enfants et aux adultes.

Ne PAS soulever la cuisinière par les poignées du four, car cela pourrait endommager les charnières de porte et entraîner une fermeture incorrecte de la porte.
Ne PAS soulever la cuisinière en la saisissant par le panneau de commande.
La cuisinière est lourde et doit être manipulée avec les soins nécessaires. Pour tout déplacement de la cuisinière, prévoir la présence d'au moins deux personnes dotées d'équipements adaptés, notamment des gants, afin d'éviter de se blesser ou d'endommager la cuisinière ou le sol.
Les bagues, montres et tout accessoire ample susceptible d'endommager la cuisinière ou de se coincer dans la cuisinière doivent être retirés.
Les surfaces cachées peuvent avoir des bords tranchants. Faire très attention en cas de contact avec l'arrière ou le dessous de la cuisinière.
Ne PAS positionner de diable ou de chariot sur l'avant ou l'arrière de la cuisinière. Le positionner sur le côté uniquement.

 **AVERTISSEMENT:**
Cancer et Troubles de l'appareil reproducteur-
www.P65Warnings.ca.gov

Pour un fonctionnement correct et en toute sécurité, l'appareil doit être correctement installé et mis à la terre par un technicien qualifié. NE PAS tenter de régler, réparer, réviser ou remplacer un composant de l'appareil à moins que le présent manuel ne le recommande spécifiquement. Toute autre intervention doit être réalisée par un opérateur qualifié. L'installateur montrera l'emplacement de la vanne de fermeture du gaz et les modalités d'arrêt en cas d'urgence. Un technicien certifié devra intervenir pour tout réglage ou conversion aux gaz naturel ou LPG.

POUR L'INSTALLATEUR : Avant d'installer l'appareil Bertazzoni, veuillez lire attentivement ces instructions. Cet appareil doit être installé conformément aux instructions d'installation du fabricant.

IMPORTANT: Ces instructions doivent être laissées à la disposition du propriétaire, qui les conservera pour toute consultation future ou en cas de visite d'un inspecteur. NE PAS retirer les étiquettes, les avertissements ou les plaques permanentes apposés sur le produit. Cela risquerait d'annuler la garantie.

L'installation doit être conforme aux réglementations locales. En l'absence de réglementations :

- États-Unis : l'installation doit être conforme à la réglementation nationale relative au gaz (*National Fuel Gas Code*) ANSI Z223.1 NFPA54.
- Massachusetts : Tout appareil au gaz doit être installé par un plombier ou un installateur de gaz agréé par l'état. Une vanne manuelle à poignée de type « T » doit être installée sur la conduite d'alimentation en gaz de l'appareil.
- Canada : L'installation doit être réalisée conformément aux réglementations en matière d'installation au gaz CAN/CGA B149.1 et CAN/CGA B149.2 et/ou aux réglementations locales. L'installation électrique doit être conforme à la réglementation canadienne en matière d'électricité CSA C22.1, Partie 1, et/ou aux réglementations locales.

La cuisinière N'A PAS été conçue pour être installée dans des maisons préfabriquées (mobiles) ou des caravanes.

NE PAS installer la cuisinière en extérieur.

L'appareil doit être correctement raccordé à la terre. Le raccordement à la terre réduit le risque de décharge électrique en fournissant un passage sécurisé au courant électrique en cas de court-circuit.

AVERTISSEMENT !

Pour éviter les risques de lésion, de blessure mortelle ou de dommages aux biens, suivre scrupuleusement les informations contenues dans ce manuel visant à prévenir les incendies ou les explosions.

AVERTISSEMENT !

Si les informations dans ce manuel ne sont pas suivies scrupuleusement, un incendie ou une explosion risquent de survenir et d'entraîner des dommages matériels, blessures personnelles ou la mort.

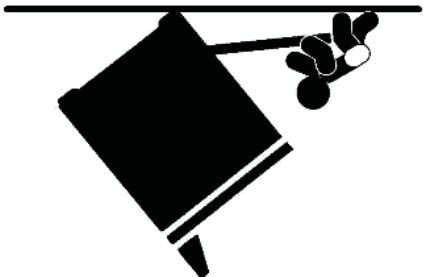
- Ne pas stocker ni utiliser de l'essence ou autres substances inflammables à proximité de cet appareil ou d'autres appareils électroménagers.
- QUE FAIRE SI VOUS SENTEZ LE GAZ
- N'allumer aucun appareil électroménager.
- Ne toucher aucun interrupteur électrique.
- N'utiliser aucun téléphone dans votre immeuble.
- Appeler immédiatement votre fournisseur de gaz depuis un téléphone voisin. Suivre les instructions du fournisseur de gaz.
- Si vous ne pouvez pas joindre vos fournisseurs de gaz, appelez le service incendie.
- L'installation et la maintenance doivent être entreprises par un installateur qualifié, agence de service ou fournisseur de gaz.

DANGER ! RISQUE DE DÉCHARGE ÉLECTRIQUE ! Pour éviter les risques de décharge électrique, de lésion ou de blessure mortelle, vérifier que l'appareil a été correctement mis à la terre, conformément aux réglementations locales ou, en leur absence, à la réglementation américaine en matière d'électricité (NEC), ANSI/NFPA 70 – dernière édition.

DANGER ! RISQUE DE FUTE DE GAZ !

Pour éviter les risques de blessure ou d'accidents mortels, la détection des fuites sur l'appareil doit être conforme aux instructions du fabricant. Avant d'utiliser l'appareil, toujours contrôler l'absence de fuites à l'aide d'une solution d'eau savonneuse.

NE PAS UTILISER DE FLAMME LIBRE POUR RECHERCHER LES FUITES DE GAZ.



AVERTISSEMENT – risque de basculement

Les enfants et les adultes peuvent faire basculer la cuisinière si celle-ci n'a pas été fixée au mur, ce qui pourrait entraîner des blessures mortelles. Pour réduire le risque de basculement de l'appareil, celui-ci doit être fixé au moyen de dispositifs anti-basculement, conformément aux instructions d'installation.

Modèles

MAST244GASXB

MAST244GASNEE

MAST244GASBIE

MAST244GASXELP

MAST244GASXE

PROF244GASXELP

PROF244GASXE

Modèles

PROF244GASXELP

PROF244GASXE

TABLE DES MATIÈRES

4	AVERTISSEMENTS
6	ÉTIQUETTE SIGNALÉTIQUE
6	AVANT L'INSTALLATION
7	PRÉPARATION DE LA VENTILATION
7	SPÉCIFICATIONS
9	ESPACE DE DÉGAGEMENT
10	CONDITIONS D'INSTALLATION
10	Électricité
10	Gaz
10	RACCORDEMENT ÉLECTRIQUE
11	SCHEMA DE CÂBLAGE
12	RACCORDEMENT AU GAZ
12	Vanne de fermeture manuelle
12	Tuyaux flexibles
12	Souape d'arrêt au point consigne de pression
13	Régulateur de pression
14	INSTALLATION
14	Déballage de la cuisinière
14	Retrait de la porte du four
15	Installation des pieds
15	Installation de la protection frontale de la surface de cuisson
16	Installation de la garniture
16	Installation de la protection arrière (en option)
17	INSTALLATION DES DISPOSITIFS ANTI-BASCULEMENT
17	Supports anti-basculement
17	Chaîne anti-basculement
18	CONVERSION À UN AUTRE TYPE DE GAZ
22	LISTE DE CONTRÔLE POUR L'INSTALLATION
22	PRÉPARATION FINALE
23	ASSISTANCE BERTAZZONI



CUISINIÈRES À GAZ AUTONOMES

BERTAZZONI
MANUEL D'INSTALLATION