

## MODELS

KFM-CG-(40, 50, 60, 80, 100, 120)-S

KFM-CG-(40, 50, 60, 80, 100, 120)-R

**CURVED GLASS DELI CASE  
DESIGNED FOR FRESH MEAT**

CASE HOLDS 33°F TO 40°F • LOW VELOCITY FORCED AIR REFRIGERATION MAINTAINS HIGH HUMIDITY  
TEMPERED TILT OUT CURVED FRONT GLASS • TEMPERED SIDE GLASS AND REAR SLIDING DOORS  
CASES CAN BE MULTIPLEXED



Intertek



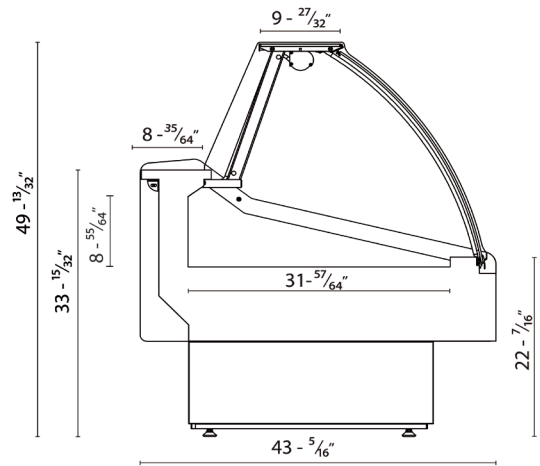
Intertek



AUTODESK®  
REVIT®

| SELF CONTAINED | Model        | O.A. Length (inches) | Volume FT <sup>3</sup> | Electrical 115 Volts |            |       |                  |          | NEMA 115 V Plug | Weight lbs |          | Crate Size (inches) |    |    |    |
|----------------|--------------|----------------------|------------------------|----------------------|------------|-------|------------------|----------|-----------------|------------|----------|---------------------|----|----|----|
|                |              |                      |                        | Front                | Compressor |       | LIGHTS Fans HTRS | EVAP PAN |                 | Total Amps | No Crate | With Crate          | L" | W" | H" |
|                |              |                      |                        |                      | H.P        | F.L.A |                  |          |                 |            |          |                     |    |    |    |
|                | KFM-CG-40-S  | 40.4                 | 12.35                  | 3/8                  | 8.4        | 0.95  | 3.3              | 12.68    | 5-15P           | 333        | 494      | 48                  | 44 | 42 |    |
|                | KFM-CG-50-S  | 52.2                 | 16.27                  | 1/2                  | 9.6        | 0.96  | 3.3              | 13.89    | 5-15P           | 377        | 560      | 59                  | 44 | 42 |    |
|                | KFM-CG-60-S  | 60                   | 18.88                  | 1/2                  | 9.6        | 1.08  | 3.3              | 14.01    | 5-15P           | 427        | 626      | 67                  | 44 | 42 |    |
|                | KFM-CG-80-S  | 77.5                 | 24.70                  | 5/8                  | 8.9        | 1.68  | 3.3              | 13.91    | 5-15P           | 531        | 794      | 85                  | 44 | 42 |    |
|                | KFM-CG-100-S | 101.2                | 32.54                  | 3/4                  | 16         | 1.81  | 3.3              | 21.14    | N/A             | 658        | 937      | 109                 | 44 | 42 |    |
|                | KFM-CG-120-S | 117                  | 37.76                  | 3/4                  | 16         | 2.06  | 3.3              | 21.39    | N/A             | 785        | 1160     | 124                 | 44 | 42 |    |

| REMOTE       | Model | O.A. Length (inches) | 115 Volts Total Amps | B.T.U | Weight lbs  |            |
|--------------|-------|----------------------|----------------------|-------|-------------|------------|
|              |       |                      |                      |       | No Crate    | With Crate |
|              |       |                      |                      |       | KFM-CG-40-R | 40.4       |
| KFM-CG-50-R  | 52.2  | 0.51                 | 3015                 | 322   | 505         |            |
| KFM-CG-60-R  | 60    | 0.63                 | 3159                 | 373   | 571         |            |
| KFM-CG-80-R  | 77.5  | 0.78                 | 4345                 | 498   | 761         |            |
| KFM-CG-100-R | 101.2 | 0.91                 | 5112                 | 604   | 882         |            |
| KFM-CG-120-R | 117   | 1.16                 | 5472                 | 721   | 1093        |            |



### STANDARD FEATURES

- CFC free injected foam insulation
  - Stainless steel interior
  - Stainless steel rear work bench
  - Silver colored PVC coated steel front panel
  - Black steel kick plate
  - Foamed polystyrene black end panels
  - Tempered tilt-forward front glass
  - Removable rear tempered glass sliding doors
  - LED lighting in canopy
  - Temperature and defrost regulated by a digital controller
  - Removable condensate evaporating pan for easy cleaning on self contained units
  - Slide out condensing unit on self-contained units
  - Digital thermometer
  - Levelling feet
- ### OPTIONAL FEATURES
- Stainless steel exterior
  - Lift up front glass
  - Other colors available
  - Joining Kit
  - Partition
  - Condensate evaporating pan for remote cases
  - White epoxy bi-level wire racks; 2 or 3 level step sham
  - Scale stand with receptacle
  - Cutting board
  - Knife Supprt
  - Casters add 4-3/8" to height
  - Stainless steel legs are adjustable from 5-1/8" to 7-5/8"

### Standard Mounting



Levelling Feet

### Optional Mounting



Adjustable Legs




Casters


### NOTE

These cases are engineered to operate in locations not exceeding 75°F and 55% R.H. These cases are designed to operate using R404a refrigerant. Alternate refrigerants available by special order. O.A. length includes (2) ends at 1-1/2" each. Ventilation grills at front and back cannot be blocked. B.T.U.'s are calculated at 14°F (evaporator) and 90°F (ambient). Remote cases are provided with an expansion valve and a liquid solenoid for pump down cycle. On remote cases, if no floor drain is provided, a condensate evaporating pan must be ordered and 3.3 amps added to the amp load. Remote cases must be hard wired – no plugs.

### WARRANTY

One year parts and labor with an additional four years on the compressor (part only)

 Tel: 786.600.4687 / Toll Free: 844.218.8477  
Fax: 786.661.4100

 Tel: 514.737.9701 / Toll Free: 888.275.4538  
Fax: 514.342.3854 / toll free: 877.453.8832