

**UF 501**  
Undercounter



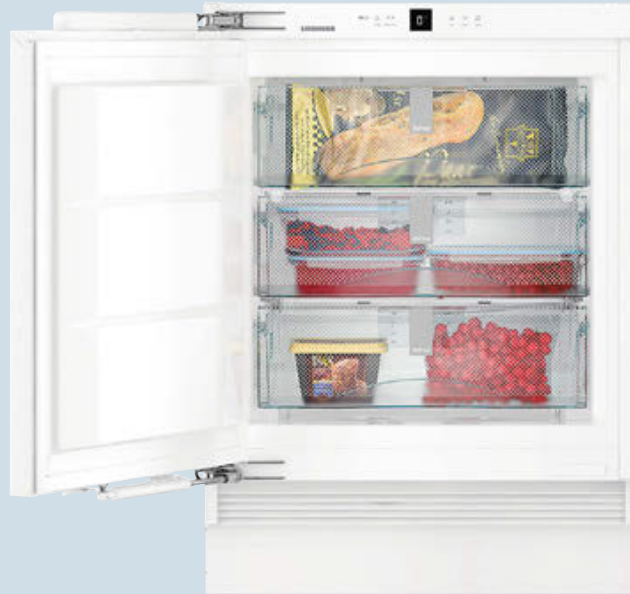
 GERMAN  
ENGINEERING

**LIEBHERR**  
Quality, Design and Innovation

The **UF 501** takes both the designer and the user in mind, offering convenient features and design flexibility to fit any room, whether it's in a home or business. The universally designed, single-door freezer can be adjusted in height to match that of the counter space, providing an optimal fit for countertops up to 34" high. Like all Liebherr integrated appliances, the UF 501 uses door-on-door technology, allowing custom panels to be affixed directly onto the appliance door, ensuring seamless integration within your custom design, as well as easy installation.

As a true undercounter freezer, the **UF 501** offers the perfect solution for storing your favorite frozen foods in any room, whether it be in the kitchen island, bar, or game room. This 24" freezer includes three transparent and fully removable FrostSafe drawers on rollers to best organize frozen foods. As the FrostSafe drawers are fully enclosed, the continuously circulating cold air does not escape when the door is opened, enhancing the freezer's energy efficiency. Doors also close gently and without slamming thanks to Liebherr's SoftSystem technology. The UF 501 also includes a hidden compartment at the bottom of the freezer for additional storage.

The **UF 501** can be installed in a Side-by-Side combination alongside other undercounter refrigerators, freezers, beverage centers, or wine cabinets as part of a central food and beverage hub. Noise is kept to a minimum thanks to virtually silent, speed controlled, and specially-absorbed compressors along with a low noise cooling circuit, ensuring exact performance, energy efficiency and SuperQuiet operation.



**Undercounter**

**UF 501  
Premium**



LED

Soft System

ADA Compliant



Energy consumption (kWh/y)

Estimated Yearly Energy Cost in US \$\*

Sound rating dB(A)\*\*

Freezer capacity cu.ft. (l)

Number of freezer drawers

Electronic control

Freezer temperature range °F (°C)

Defrost type

Interior light

Door alarm

Door type

SoftSystem

Door hinges

Product dimensions (H/W/D) in. (cm)

Cut out dimensions (H/W/D) in. (cm)

Net weight lbs. (kg)

Voltage V/Hz

302

36

38

2.8 (79)

3

MagicEye with LCD temp. display, touch electronic

+7°F to -18°F (-14°C to -28°C)

automatic

LED lighting

visual and acoustic

panel ready or stainless steel panel as accessory

yes

left, reversible

32 5/16"-34 11/16" / 23 9/16" / 21 11/16" (82-88/59.7/55)

32 5/16"-34 11/16" / 23 5/8" / 21 11/16" (82-88/60/55)

88.0 (39.9)

115/60

\* Estimated energy cost will depend on utility rates and use. Estimated energy cost based on a national average electricity cost of 12 cents per kWh.

\*\* Noise output – according to EN 60704-3.



**German Engineering:** Our superior products offer premium quality, cutting edge design, and innovative features that best fit your lifestyle. The use of high quality materials, perfectly detailed finishes, and elite cooling components are combined with the latest production processes, resulting in an outstanding cooling product.



**Energy Star:** The entire line of North American Liebherr appliances meet or exceed ENERGY STAR® rating requirements, greatly reducing greenhouse emissions and energy costs.



Super Quiet

**SuperQuiet:** Noise levels are kept to a minimum thanks to virtually silent, speed-controlled, and sound absorbing compressors. Alongside a low noise cooling circuit, these features ensure exact performance, energy efficiency, and SuperQuiet operation.



Soft System

**SoftSystem:** Doors close automatically and gently from a minimum opening angle of approx. 30° thanks to our SoftSystem technology, which eliminates slamming even when shelves are fully loaded.



Electronic Control

**Electronic Display:** Our intuitive electronic touch control panel ensures all functions are easy and convenient to use as well as guarantees that the settings selected remain accurate and constant.



**FrostSafe Drawers:** The removable FrostSafe Drawers create flexible storage space that can easily expand to accommodate larger items. Advantageously, this spacious and practical transparent drawer system helps you fit more as well as maintain temperature by keeping cold air from escaping when the door is open.



LED

**LED:** The LED lighting housing is integrated into the side of the inner compartment and its central position provides optimal illumination. Flush integration guarantees a greater net capacity and more storage space.



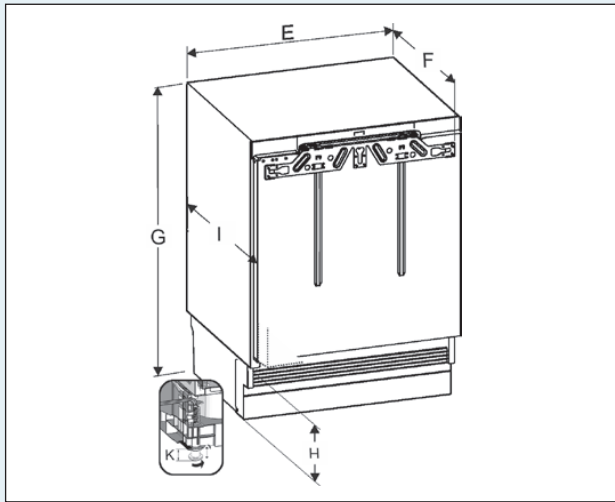
**Door-on-Door:** Liebherr's door-on-door technology allows custom panels to be affixed directly onto the appliance door, ensuring seamless integration within your custom design, as well as easy installation.



Vario Space

**VarioSpace:** All freezers include drawers and glass shelves that can be conveniently removed to create extra storage space. It's Liebherr's very practical solution to quickly accommodate even bulky items.

Appliance Dimensions



<b>E</b>	23 - 1/2" (597 mm)
<b>F</b>	closed: 21 - 5/8" (550 mm) max. opened: 55 - 5/8" (1412,9 mm)
<b>G</b>	adjustable feet screwed in: 32 - 1/4" (819,5 mm) adjustable feet screwed out max: 34 - 1/4" (869,5 mm)
<b>H</b>	6 - 5/8" - 8 - 9/16" (168 mm - 218 mm)
<b>I</b>	21 - 1/4" (540 mm)
<b>K</b>	max. height adjustment: 2" (max. 50 mm)

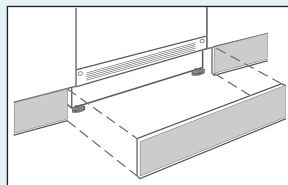
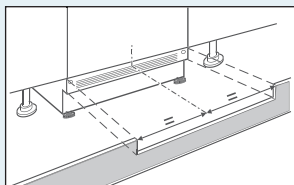
Toe Kick Installation

The toe kick installation will be different depending on the cabinetry where the appliance is installed. A toe kick panel will be required to cover the gap between the ventilation grill and the floor.

A cut-out in the toe kick panel is necessary when the toe kick covers the ventilation openings of the ventilation grill.

If the cabinets do not have a toe kick, a toe kick can be prepared and fitted just in front of the appliance.

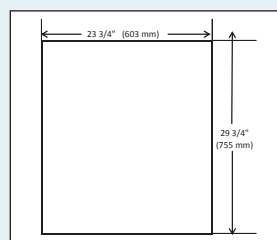
A stainless steel adjustable toe kick is provided with the unit. A custom panel toe kick can also be used.



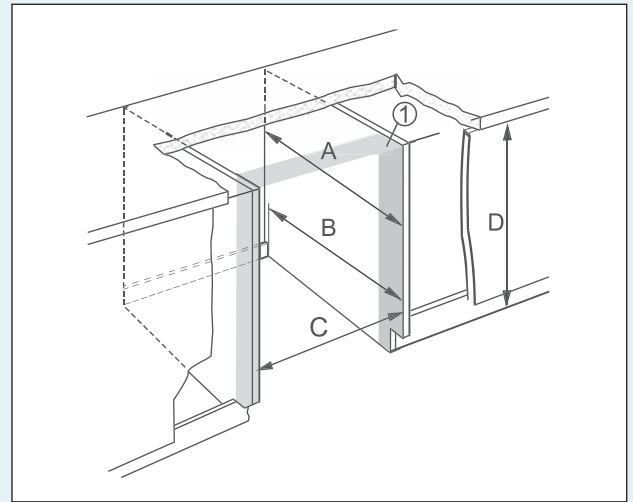
Door Panel for Standard Toe Kick

These panel dimensions are for inset flush installation in a standard cabinet opening of 24" (610 mm) wide with a cabinet that is 30" (762 mm) tall plus a 4" (102 mm) or 4 1/2" (115 mm) toe kick.

**If the cabinet opening is different you will need to modify the door panel accordingly.**

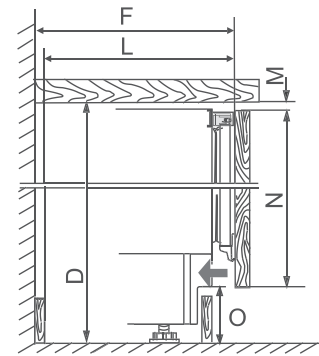


Cabinet Dimensions

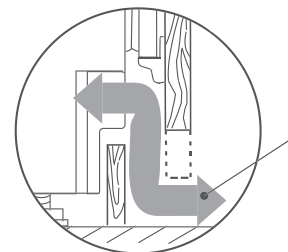


<b>A</b>	min. 21 - 5/8" (min. 550 mm)
<b>B</b>	21 - 1/4" (540 mm)
<b>C</b>	23 - 5/8" - 24" (600 mm - 610 mm)
<b>D</b>	32 - 1/4" - 34 - 5/8" (820 mm - 880 mm)
	3" (approx. 76 mm) of the cabinet needs to be finished as it can be seen when the door is open.

Side view



<b>D</b>	32 - 1/4" - 34 - 5/8" (820 mm - 880 mm)
<b>F</b>	closed: 21 - 5/8" (550 mm) max. opened: 55 - 5/8" (1412,9 mm)
<b>L</b>	21 - 1/4" (540 mm)
<b>M</b>	1/8" (4 mm)
<b>N</b>	25 - 7/16" - 30 - 5/16" (646 mm - 770 mm)
<b>O</b>	max. 4" - 6" (max. 102 mm - 152 mm)



**A gap of 1 3/8" (35 mm) must be maintained to ensure sufficient ventilation.**