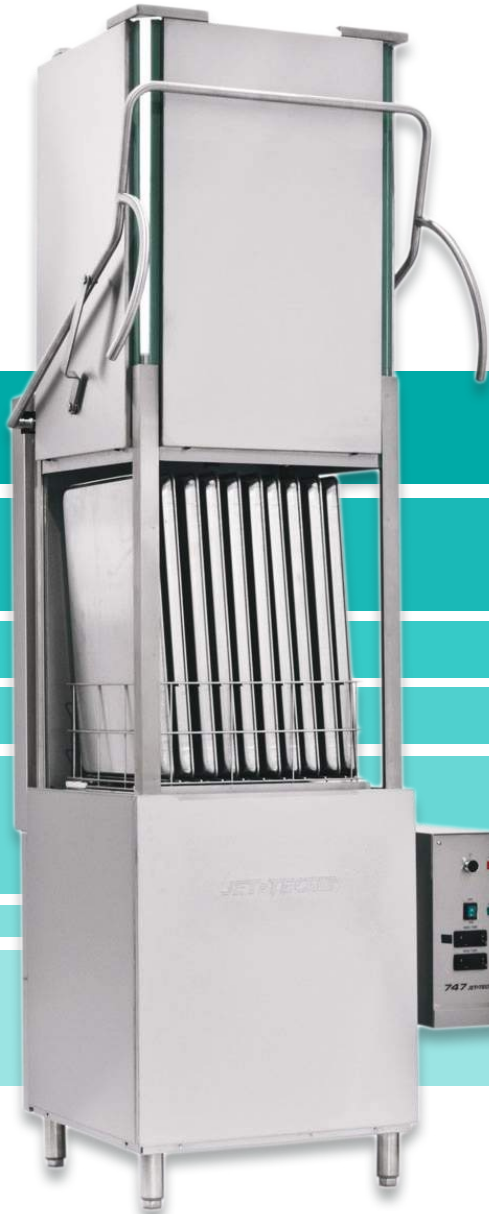


Project name:	
Location:	
Item:	Qty:
Model:	



747HH

HIGH-TEMP DELUXE HIGH HOOD
DOOR TYPE WAREWASHER



HEIGHT ADJUSTABLE
CONTROL PANEL

IDEAL FOR RETAIL & IN-STORE
BAKERIES, DELIS, C-STORES,
SCHOOL AND PIZZERIAS



PERFORMANCE FEATURES

- High hood opening facilitates the washing of tall items
- Completely automatic wash and rinse programs with a wash cycle of 150°F (65°C) with detergent and rinse cycle of 185°F (85°C)
- Model 747HH is built with twin wash motor pumps of 1 HP each (total of 2 HP) for greater power and enhanced performance
- Insulated lower cabinet provides for a quieter operation
- Automatic adjustable detergent and rinse-additive pumps are provided as standard equipment
- Large capacity opening permits the washing of sheet pans and mixing bowls of up to 26" high by 20" wide
- Door-activated automatic start and stop mechanism for ease and convenience
- Designed to be installed either in a corner or straight pass-thru set-up

CONSTRUCTION FEATURES

- Body, external housing, wash tank, adjustable bullet feet and all chassis components are of 16 Ga. Type 304 polished stainless steel
- Individual wash pumps for upper and lower washing assemblies
- Fully enclosed insulated lower cabinet provides a quieter operation
- Safety micro-switch on doors to interrupt wash pumps
- Three way sliding counter balanced doors assembled with heavy duty stainless steel bushing and door handle for ease of operation and durability
- Independently-operated heating elements alternating between the booster and wash reduces overall energy costs
- Automatic filling and regulation of the water level of the tank
- Wash tank fabricated with an integrated set of perforated stainless steel scrap filters which are easily removed for quick cleaning and proper maintenance
- Two individual scrap filters protect the twin wash-motor pumps
- Lower front and side panels are easily removed for technical access
- Individual digital gauges for both wash and rinse temperatures
- Standard equipment includes: One 20" x 20" stainless steel 10-place sheet pan rack and one 20" x 20" peg rack for dishes



MVP GROUP CORP.

5659 Royalmount Ave., Montreal, Qc, Canada H4P 2P9

TEL: (514) 737-9701 - TOLL FREE: (888) 275-4538

FAX: (514) 342-3854 - TOLL FREE FAX: (877) 453-8832

www.mvpgroupcorp.com - sales@mvpgroupcorp.com

JET-TECH is a registered trade mark of MVP Group.
Specifications subject to change without notice.

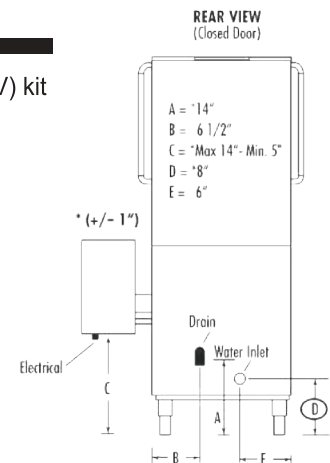
WARRANTY: 1 year parts and labor. Certain conditions apply. See Owner's Manual for details.

TECHNICAL FEATURES

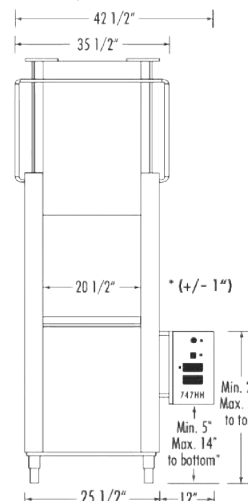
- **Rack capacity:** 19.75" x 19.75" (500 mm x 500 mm)
- **Complete operating cycle:** 105 seconds wash and 15 seconds rinse
- **Wash tank capacity:** 11.5 U.S. gallons (43.5 litres)
- **Wash tank element:** 6000 watts (6 Kw)
- **Wash temperature:** 150°F (65°C)
- **Booster capacity:** 2.7 U.S. gallons (10.2 litres)
- **Booster element:** 9000 watts (9 Kw)
- **Rinse (water) temperature:** 185°F - 194°F (85°C - 90°C)
- **Maximum power absorption:** 11,100 watts
- **Wash motor-pump:** Dual pumps each of 1 HP (total 2 HP) with thermal overload protection
- **Power supply :** 208-240/60/1 or 3 phase (please specify when ordering)
- **Amperage:** Single phase - 50 amps
Three phase - 29 amps
- **Water consumption:** 1 U.S. gallon per cycle (3.8 litres)
- **Water consumption per hour:** 49.75 U.S. gallons (188.3 litres max.)
- **Water supply:** 1/2" hot water supply 140°F / 60°C
- **Recommended pressure:** 30 p.s.i. (dynamic) (PRV may be required)
- **Water inlet connection:** 3/4" male garden hose connector (hose included)
- **Drain connection:** 1.5" ID (38 mm) hose connection (hose included)
- **Shipping weight:** 352 lbs (160 kg)

ACCESSORIES

- Pressure reducing valve (PRV) kit
- Splash shield for corner installations
- Sheet pan racks
- Drain water tempering kit



FRONT VIEW (Open Door)



SIDE VIEW (Open Door)

