



UNDER COUNTER - REFRIGERATORS



Features

- CFC free refrigerant and foam insulation
- Electronic thermostat and digital LED temperature display for accurate control and easy reading
- Easy to mount 2.5" casters (lockable in front) are standard with all units
- Self-closing doors that remain open at 90 degrees
- Magnetic gasket can be replaced without any tools
- Adjustable, heavy-duty epoxy coated wire shelves (one per door)
- Stainless steel framework construction
- Auto defrosting and auto evaporation of condensation water
- Exterior: 430 stainless steel, door & front panel: 202 stainless steel
- Interior: side panel: ABS plastic, bottom: 304 stainless steel, balance in aluminum
- Temperature: 33 to 41°F / 0.5 to 5°C
- Electrical: 115/60/1 with NEMA 5-15P plug

Specifications

MODEL	DOORS	EXT DIMENSIONS W x D x H	INT. DIMENSIONS W x D x H	AMPS	H.P.	SHIP WEIGHT
KUC27*	1	27.8 x 29.9 x 35.5	23.0 x 24.9 x 24.2	5	3/8	199 lbs
KUC48*	2	48.2 x 29.9 x 35.5	43.5 x 24.9 x 24.2	5	3/8	280 lbs
KUC60*	2	61.2 x 29.9 x 35.5	56.5 x 24.9 x 24.2	5	3/8	331 lbs
KUC72	3	71.7 x 29.9 x 35.5	67.0 x 24.9 x 24.2	5	1/2	380 lbs

Options - Drawers**

- KUC 27-2D • KUC48-2D • KUC48-4D • KUC60-2D • KUC60-4D

See page 34 for pan configurations for units with drawers.

** Available by custom order only. Please contact our Sales Department for availability and lead time.

CERTIFIED TO ANSI/NSF-7 STANDARDS



Intertek

Intertek

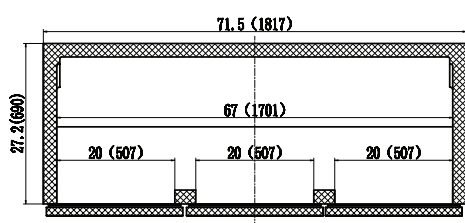
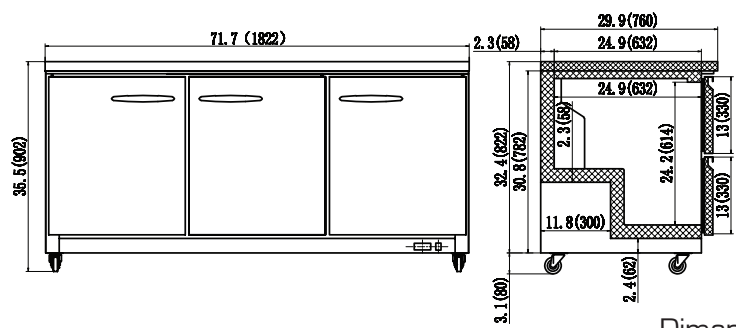
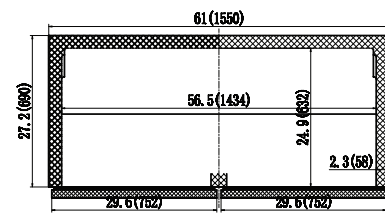
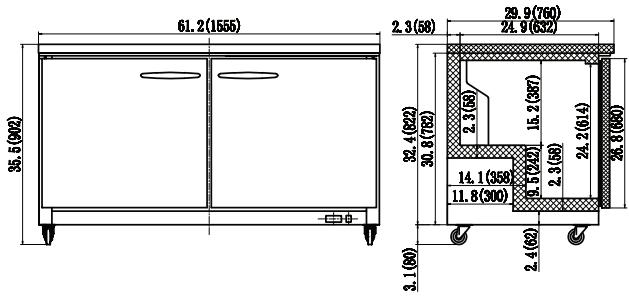
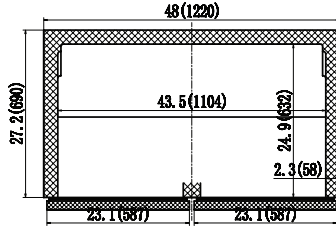
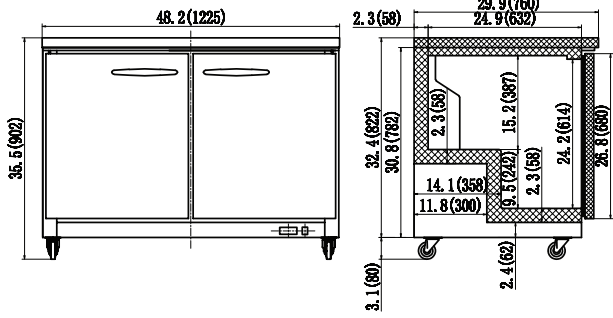
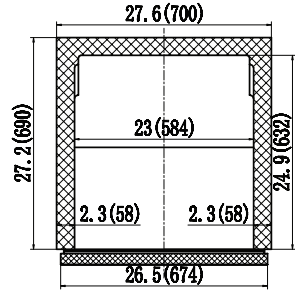
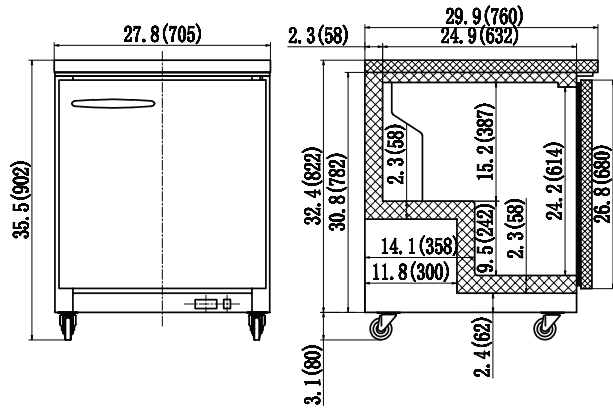


5659 Royalmount Ave.
Montreal, QC, Canada H4P 2P9
Telephone: 514.737.9701 / Toll Free: 888.275.4538
Fax: 514.342.3854 / Toll Free: 877.453.8832
sales@mvpgroupcorp.com / mvpgroupcorp.com

12000 Biscayne Blvd., Suite # 108
Miami, FL, United States 33181
Telephone: 786.600.4687 / Toll Free: 844.218.8477
Fax: 786.661.4100



UNDER COUNTER - REFRIGERATORS



Dimensions in inches (mm)

CERTIFIED TO ANSI/NSF-7 STANDARDS



5659 Royalmount Ave.
 Montreal, QC, Canada H4P 2P9
 Telephone: 514.737.9701 / Toll Free: 888.275.4538
 Fax: 514.342.3854 / Toll Free: 877.453.8832
 sales@mvpgroupcorp.com / mvpgroupcorp.com

12000 Biscayne Blvd., Suite # 108
 Miami, FL, United States 33181
 Telephone: 786.600.4687 / Toll Free: 844.218.8477
 Fax: 786.661.4100