

REF30BMBZPNV

REFRIGERATOR 30" BUILT-IN BOTTOM MOUNT PANEL READY
WITH ICE MAKER



Energy Star rated refrigerator & freezer with 16 cu.ft of total storage capacity.

Flush or proud installation in 84" high kitchen cabinets.

Precise temperature control for optimal food preservation: powered by variable-speed compressor.

Automatic ice maker.
Internal water dispenser with inline filter for hygienically clean drinking water and ice.

Digital LED touch interface with user-friendly controls for temperature, speed-freeze and ice making.

Soft close crispers. Metal freezer bins.

Reversible doors for left or right swing configuration.

2 years parts & labor warranty.

ADA compliant.

PRODUCT FEATURES

| | |
|-----------------------|---|
| Size | W 30" |
| Volume | Ref 11.5 cu.ft / Frz 4.5 cu.ft |
| Door finish | Panel ready |
| User interface | Internal digital LED touch interface |
| Lighting | Top and sidewall LED lights |
| Refrigerator shelves | 1 stationary + 2 height-adjustable |
| Refrigerator crispers | 1 + 1 with separate temperature control |
| Freezer compartment | 2 drawers |
| Door storage | 1 gallon sized + 2 height adjustable bins |
| Ice maker | Automatic ice maker 3.9 lbs / 24 hrs |
| Settings | Super cool, Super freeze, Ice maker, Water filter replacement alarm, Water dispenser, Eco mode, Vacation mode, Sabbath mode |

TECHNICAL SPECIFICATIONS

| | |
|-----------------------|------------------------------------|
| Electrical supply | 115 V 60 HZ - 2.6 Amp |
| Power connection | NEMA 5-15P with 98" power cord |
| Sound rating | 43 dbA |
| Water connection | 1/4" waterline with shut-off valve |
| Water supply pressure | 25-80 PSI (1.7-5.5 BAR) |
| Energy consumption | 551.0 kwh/yr |
| Certification | ADA Compliant,CEC,ETL |
| Warranty | 2 years parts & labor |
| Packaging dimensions | W 32 5/16" H 90 9/16" D 26 3/8" |
| Weight | 386.0 lbs |

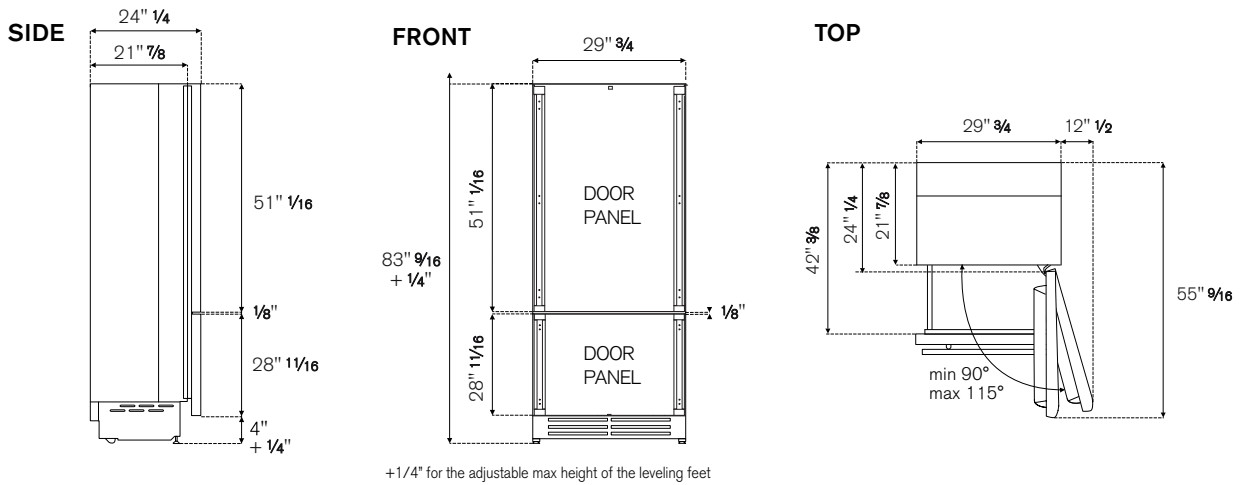
ACCESSORIES

| | |
|-----------|---|
| Z370001 | Replacement Water Filter |
| PROHK30PI | Handle Kit - Professional Series |
| MASHK30PI | Handle Kit - Master Series |
| HERHK30PI | Handle Kit - Heritage Series |
| CTBMPV | Connection Trim for Side-by-Side Installation |



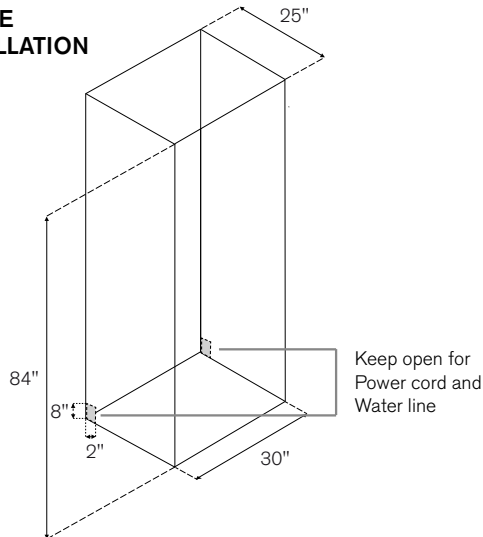
REF30BMBZPNV

REFRIGERATOR 30" BUILT-IN BOTTOM MOUNT PANEL READY WITH ICE MAKER

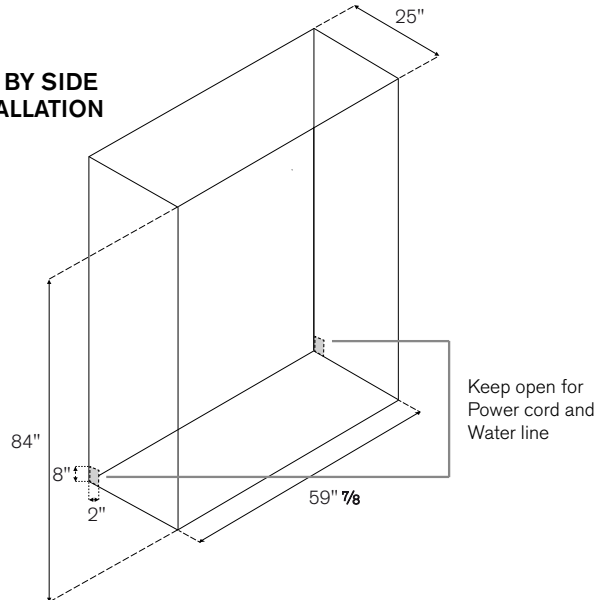


CUTOUT DIMENSIONS

SINGLE INSTALLATION



SIDE BY SIDE INSTALLATION

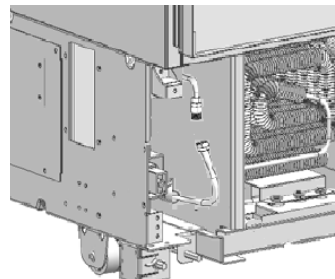
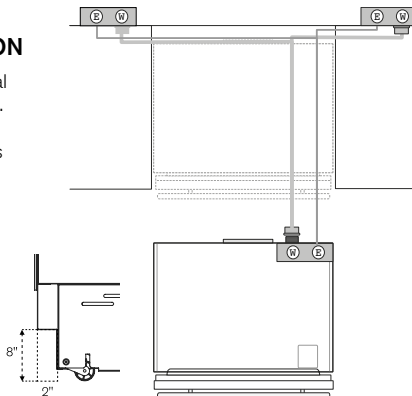


ELECTRICAL & WATER CONNECTION

A properly-grounded, electrical receptacle should be installed. A separate circuit breaker servicing only this appliance is recommended.

Do not use a multi-purpose socket with other electrical appliances.

To connect to the water supply system, use a 1/4" waterline with accessible shut-off valve with a length of 60".



INSTALLATION REQUIREMENTS

If the appliance(s) is not connected through the side profile trims to secured cabinetry, anti-tip brackets must be installed. The max weight for the cabinet panel is 35 lbs (16kg) for the refrigerator door and 20 lbs (9kg) for the freezer door.