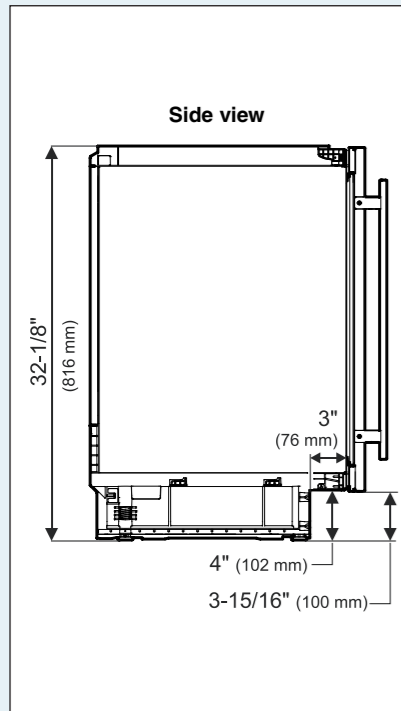


Diagrams

◀24"▶

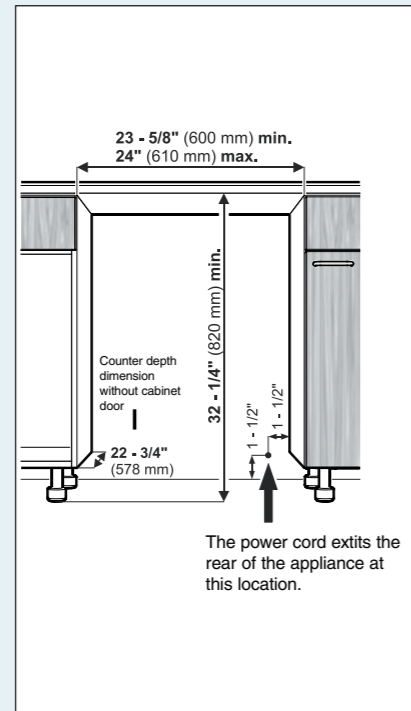
Appliance and Cabinet Dimensions



Height when adjustable feet have been screwed in as far as they will go.

Delivery status = feet approx. 1/8" unscrewed.

Maximum height adjustment = 2" (51 mm) to allow for a 6" (153 mm) toe kick.

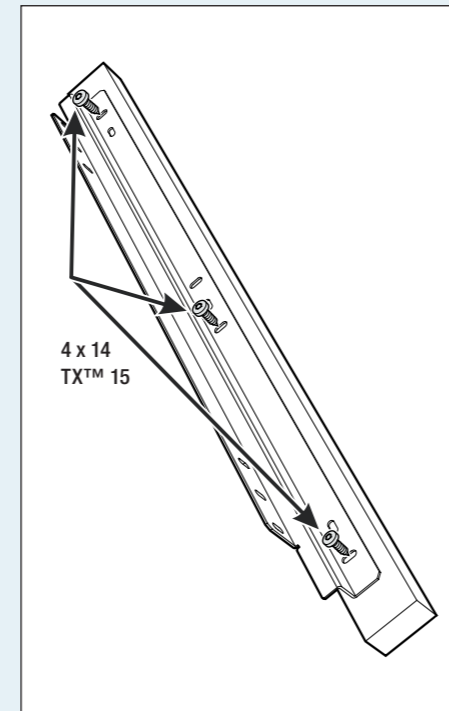


Free length of the power cord = 78 - 3/4 inch (2000 mm)

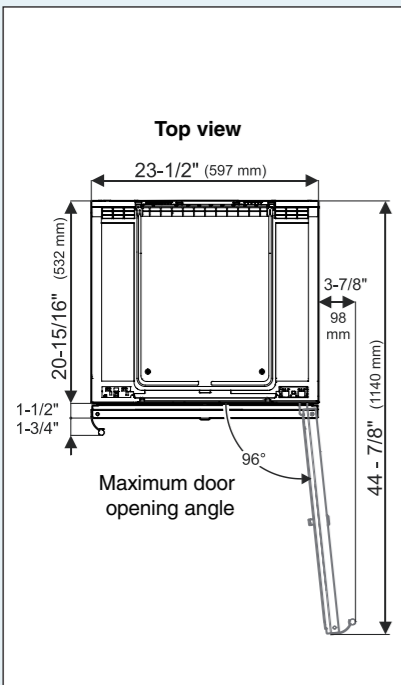
IMPORTANT

The electrical outlet must not be situated behind the appliance and must be easily accessible.

Mounting the panel onto the angle bracket

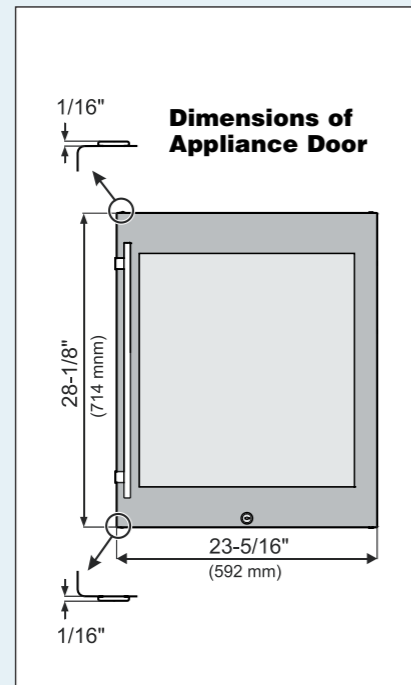


Mount the panel onto the angle bracket using three 4 x 14 screws.

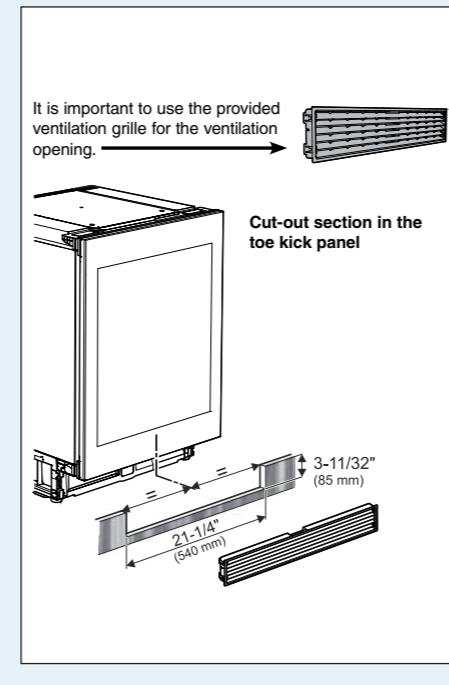


IMPORTANT

The floor on which the appliance stands must be horizontal and level. The kitchen units must be aligned horizontally and vertically.



Appliance Venting



IMPORTANT

The cut-out section in the toe kick panel must be centered in relation to the appliance and in the uppermost part of the toe kick.



Liebherr RU 510

Beverage/Wine Cooler

G GERMAN
ENGINEERING

LIEBHERR
Quality, Design and Innovation

Beverage/Wine Cooler

◀24"▶

Liebherr's sleek beverage center chills every drink preference to perfection and keeps them close at hand in any kitchen, bar or entertainment area so your guests are completely happy. Whether you are entertaining a large group or having a quiet family night at home. The new **RU 510** a sleek 24" beverage/wine cooler offers amazing capacity as well as superior storage with sophisticated design that blends beautifully with any décor. This contemporary unit features a glass door providing a clear view and elegant stainless steel frame that can also accommodate a custom panel if desired. The appliance offers storage flexibility thru two glass storage shelves with stainless steel trim plus a convenient split shelf for storing taller items and one pull out metal rack. The electronic control system is situated at the top of the interior and is visible through the glass door. The temperature can be set from +37°F (+2°C) to +68°F (+ 20°C). The cabinet includes a lock for added protection of items stored.



Beverage/Wine Cooler

Capacity

Total capacity cu.ft. (l)

Shipping weight lbs. (kg)

Climate rating

Sound rating dB(A)

Door hinges

Cut out dimensions

in inches (cm) H /W/D

Outside dimensions

in inches (cm) H/W/D

Energy supply

Voltage V/Hz

ADA compliant

RU 510

LED

Telescopic Rails

3.8 (108)

121.3 (55)

SN-ST

39**

right, reversible

32 5/16" - 34 5/16" / 23 5/8" / 22 3/4" (82 - 87 / 60 / 57.8)

32 1/8" / 23 1/2" / 22 3/4" (81.6 / 59.7 / 57.7)

115/60

Yes

Features

◀24"▶



German Engineering: Our superior products offer premium quality, cutting edge design and innovative features that fit your busy lifestyle. Exclusive components and materials, along with the latest production processes, ensure energy efficiency and performance for years to come.



Storage shelves: This unit offers flexible storage options thanks to two glass shelves, a convenient split shelf for storing taller items, and a pull-out metal rack.



LED Lighting: The energy efficient LED ceiling light not only emits virtually no heat to cast a cool glow to give a pleasing ambient light inside the appliance as well as the room.



Precision Electronics: The electronic control system is situated at the top of the interior. The temperature can be set from 37°F to 68°F. The cabinet includes a lock for added protection of items stored.

* Energy Cost will depend on utility rates and use. Estimated energy cost based on a national average electricity cost of 12 cents per kWh.

** Noise output – according to EN 60704-3