



AX-CL06D

Full Size Combi Oven
Digital Controls - Reversing Fans - 6 Shelves



Digital controls	Time, temperature, steam, 4 cooking cycles for each program, automatic pre-heating	Features <ul style="list-style-type: none">• Advanced airflow design• Automatic reversing fans - 2 speeds• Digital programmable controls / 99 program automatic pre-heating / 4 cooking cycles for each program• Interior halogen light• Includes electro valve for direct water connection• Core food probe included / Delta T Cooking• Adjustable steam percentage (0-100%)• Adjustable exhaust flue• Heavy duty stainless steel body construction• "Cold Door" design with double pane glass• Reinforced door hinges• Oven cavity is insulated with ultra-high temperature fiberglass insulation• 3 Stainless steel wire shelves• Micro safety switch shuts oven off when door is open• Self-cleaning cycle• Ovens can be stacked (kit required)• Warranty: 2 year parts & 1 year labor exclusive of lights, gaskets and glass (60 days)
Load capacity	6 shelves for full size sheet pans	
High speed reversing fans	2 (3,200 rpm)	
Space between shelves	3.14" (80 mm)	
Power requirements	14,000 Watts / 208-240V/60/3 Oven supplied with power cord only / no plug	
Temperature	86° - 500° F	
Equipped with	16 hour timer Signal at end of cycle	
Cavity size (inches)	28.35 x 22.20 x 24.10 (WxDxH)	
Unit dimensions (inches)	38.60 x 33.64 x 36.35 (WxDxH)	
Shipping dimensions (inches)	41.35 x 40.55 x 39.37 (WxDxH)	
Net / Ship weight	220 lb / 263 lb	

COMBI ACCESSORIES



AX-C6ST OVEN STAND

- Heavy duty oven stand with tray support
- Slides accommodate full size pans
- Dimensions: 23.30" x 20.87" x 31.50"
- Heavy duty stainless steel (assembly required)
- Shipping weight: 50 lbs
- Shipping dimensions: 37.40" x 24.80" x 7.88"



R15 CASTERS

Set of 4 (2 with brakes)



STACKING KIT



**HEAVY DUTY
DEGREASER RTU**

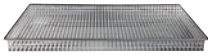


**COMBI OVEN
CLEANER**



WATER FILTER

COMBI OVEN TRAYS



**124-GP31
FRY GRID**



**124-GP32
GRIDDLE GRID**



**124-GP28
GRANITE
MULTI-BAKING
TRAY**



**124-GP36
MULTIFUNCTIONAL
NON STICK
ALUMINUM TRAY**



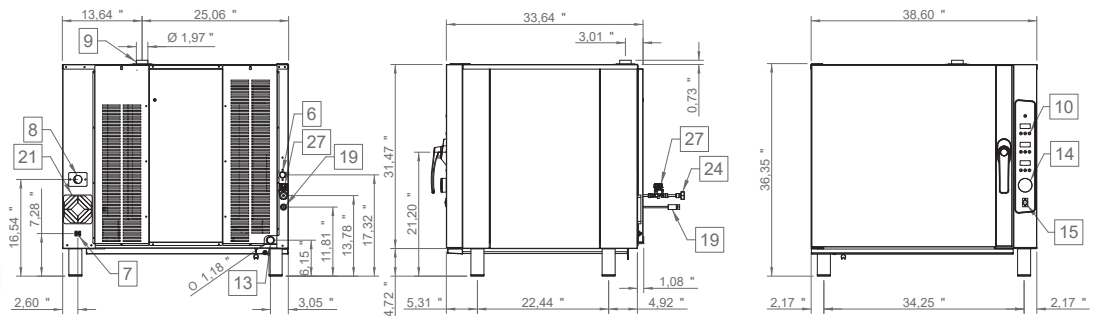
**124-PT12
60X40
ALUMINUM
PERFORATED TRAY**



**124-PT13
60X40
ALUMINUM
TRAY**

LINE DRAWINGS

AX-CL06D



514-737-9701 786-600-4687

TOLL FREE: 888-275-4538

TOLL FREE: 844-218-8477

5659 ROYALMOUNT AVE, MONTREAL, QC, CANADA H4P2P9

12000 BISCAYNE BLVD, SUITE #108, MIAMI, FL, USA 33181

MVPGROUPCORP.COM SALES@MVPGROUPCORP.COM