

# REF24BMFXNV

REFRIGERATOR 24" FREESTANDING BOTTOM MOUNT  
STAINLESS STEEL FINISH



Energy star rated refrigerator & freezer with 10.7 cu.ft capacity.

Optimized airflow design keeps temperature constant and even throughout entire refrigerator.

Total No-Frost system: automated defrosting of evaporator ensures food stays always fresh.

2 full-width humidity-controlled crispers, 2 adjustable-height shelves and 3 door bins ensure organized storage and preservation of food.

1 shelf & 2 standard size drawers in freezer compartment ensure easy organization and retrieval of frozen goods.

Super freeze: 4 air vents in top freezer shelf and top drawer accelerate temperature drop, helping lock vitamins and maintain flavors.

Chrome wine rack.

Electronic touch interface with user-friendly controls for temperature management.

Interior LED lighting for optimized illumination.

Reversible doors for left or right swing configuration.

Choose Professional or Master Series handle kit to match your other Bertazzoni kitchen appliances.

2 years parts & labor warranty.

## PRODUCT FEATURES

Size	W 24"
Volume	Ref 7.3 cu.ft / Frz 3.4 cu.ft
Door finish	Stainless steel look
User interface	Internal digital LED touch interface
Lighting	LED on the top
Refrigerator shelves	3 + bottle compartment
Refrigerator crispers	2 large size with adjustable humidity
Freezer compartment	2 drawers + 1 removable shelf
Door storage	1 stationary gallon size + 2 height-adjustable
Ice maker	Manual with removable tray
Settings	Super freeze

## TECHNICAL SPECIFICATIONS

Electrical supply	115 V 60 HZ - 150 W - 1.3 Amp
Power connection	NEMA 5-15P with 67" power cord
Sound rating	39 dbA
Energy consumption	391.0 kwh/yr
Certification	CEC,UL
Warranty	2 years parts & labor
Packaging dimensions	W 25 3/8" H 76 3/16" D 24 3/4"
Weight	152.0 lbs

## ACCESSORIES

PROHK24BM	Handle kit for 24" & 31" bottom mount refrigerator - Professional Series
MASHK24BM	Handle kit for 24" & 31" bottom mount refrigerator - Master Series

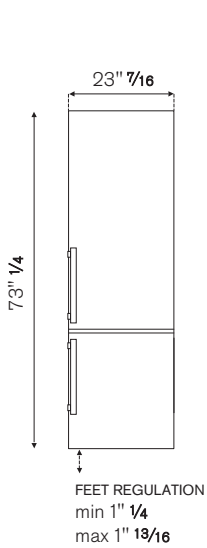


# REF24BMFXNV

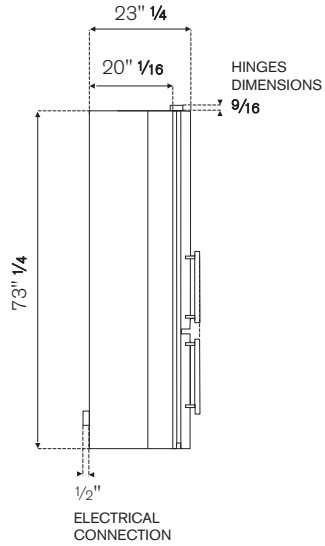
REFRIGERATOR 24" FREESTANDING BOTTOM MOUNT  
STAINLESS STEEL FINISH



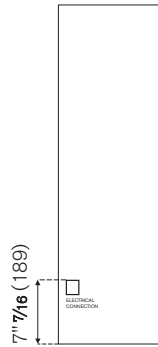
FRONT



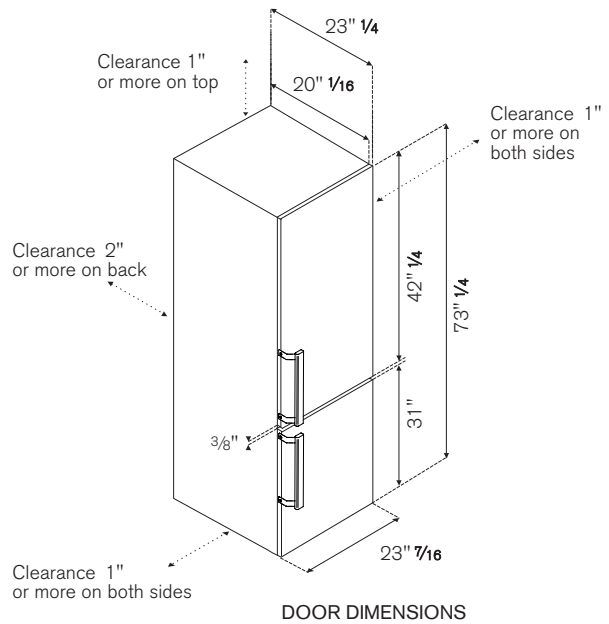
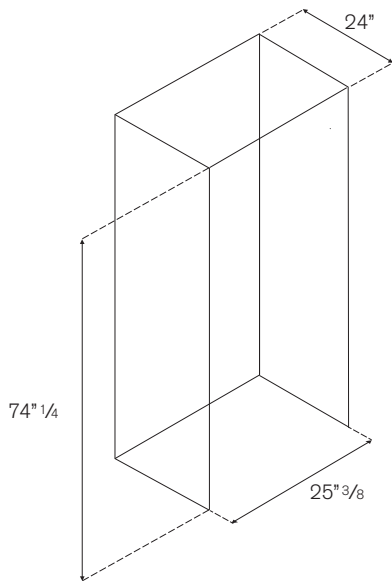
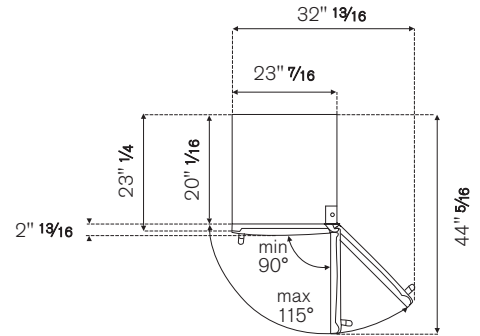
SIDE



BACK



TOP



## ELECTRICAL CONNECTION

A properly-grounded, electrical receptacle should be installed. A separate circuit breaker servicing only this appliance is recommended. Do not use a multi-purpose socket with other electrical appliances.