



## BOTTLE COOLERS



### Features

- CFC free refrigerant and foam insulation
- Electronic thermostat and digital LED temperature display for accurate control and easy reading
- Easy to mount 1" wheels are standard with all units
- Stainless steel framework construction
- Forced-air cooling
- Doors have lock and key
- Adjustable dividers included
- Self-defrosting evaporator
- Bottle cap opener & cap catcher standard
- Top: 430 stainless steel
- Interior: 304 stainless steel
- Exterior: Heavy duty, wear resistant black paint
- Temperature: 33 to 41°F / 0.5 to 5°C
- Electrical: 115/60/1 with NEMA 5-15P plug
- KBC-50 contains [cases] : 22.0 x 12 oz. cans or 18 x 12 oz. bottles
- KBC-65 contains [cases] : 32.5 x 12 oz. cans or 22 x 12 oz. bottles
- KBC-95 contains [cases] : 55.5 x 12 oz. cans or 38 x 12 oz. bottles

### Specifications

MODEL	Doors	EXT DIMENSIONS W x D x H	INT DIMENSIONS W x D x H	CU. FT.	AMPS	H.P.	SHIP WEIGHT
KBC-50	2	49.4 x 27 x 35	29.1 x 23 x 28.5	13.5	7	3/8	309 lbs
KBC-65	2	64.3 x 27 x 35	44.1 x 23 x 28.5	18.5	7	3/8	353 lbs
KBC-95	3	95.3 x 27 x 35	75 x 23 x 28.5	30.3	7	3/8	439 lbs

CERTIFIED TO ANSI/NSF-7 STANDARDS



Intertek



Intertek

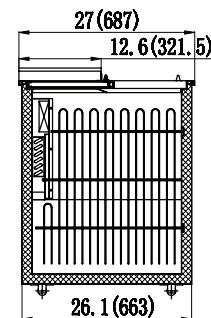
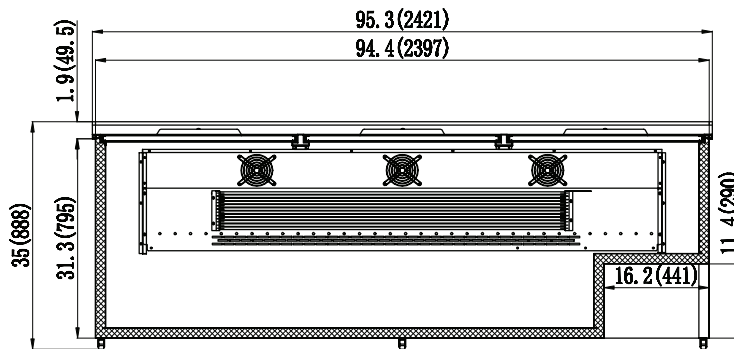
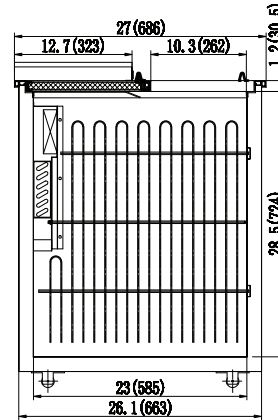
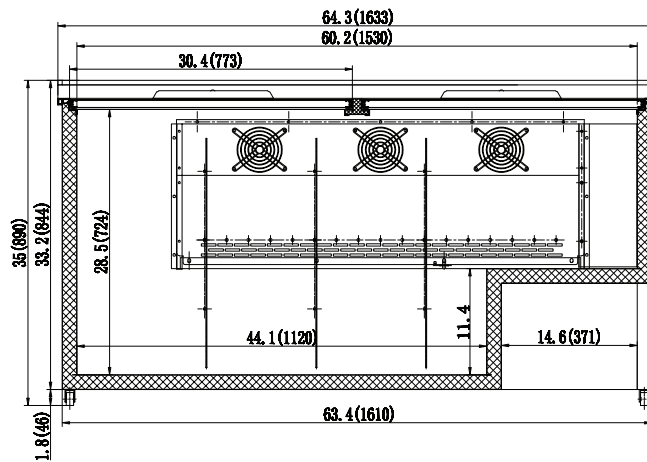
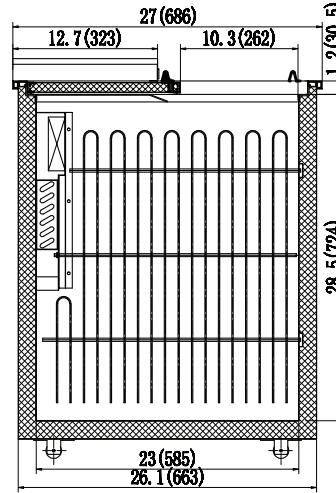
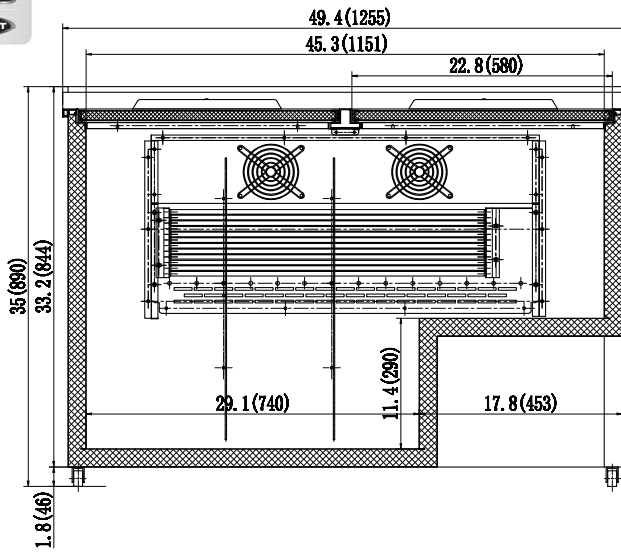


5659 Royalmount Ave.  
 Montreal, QC, Canada H4P 2P9  
 Telephone: 514.737.9701 / Toll Free: 888.275.4538  
 Fax: 514.342.3854 / Toll Free: 877.453.8832  
 sales@mvpgroupcorp.com / mvpgroupcorp.com

12000 Biscayne Blvd., Suite # 108  
 Miami, FL, United States 33181  
 Telephone: 786.600.4687 / Toll Free: 844.218.8477  
 Fax: 786.661.4100



# BOTTLE COOLERS



Dimensions in inches (mm)

CERTIFIED TO ANSI/NSF-7 STANDARDS



Intertek

Intertek



5659 Royalmount Ave.  
 Montreal, QC, Canada H4P 2P9  
 Telephone: 514.737.9701 / Toll Free: 888.275.4538  
 Fax: 514.342.3854 / Toll Free: 877.453.8832  
 sales@mvpgroupcorp.com / mvpgroupcorp.com

12000 Biscayne Blvd., Suite # 108  
 Miami, FL, United States 33181  
 Telephone: 786.600.4687 / Toll Free: 844.218.8477  
 Fax: 786.661.4100